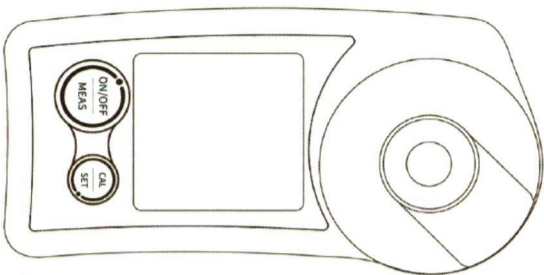


# DIGITAL REFRACTOMETER USER MANUAL



## Safety Precautions

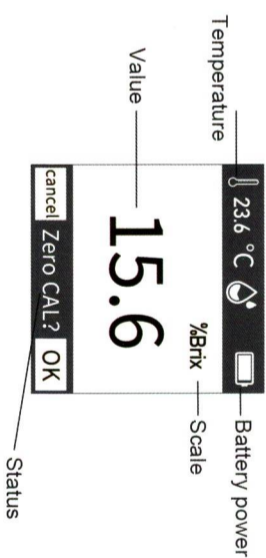
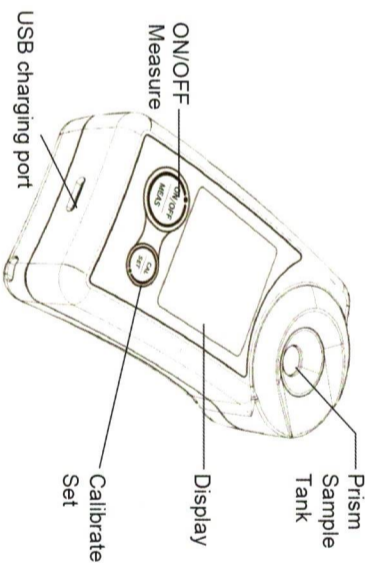
### ⚠ Warning

1. When measuring substances that may be harmful to the human body, please fully understand the performance of the substance to be measured, and take appropriate protective measures such as gloves, face shields, etc.
2. This instrument is a precision optical instrument, and collision and falling are prohibited.
3. Do not disassemble or repair the instrument by yourself.

### ⚠ Notice

1. When using the instrument to measure samples with high acidity, the prism and sample tank may be damaged, affecting the measurement accuracy.
2. The prism is made of glass. Do not use metal tools, such as metal spoons, etc., which will damage the surface of the prism. If the surface of the prism is worn or damaged, the measurement will be inaccurate.
3. Please read this manual carefully and understand the relevant content, and understand the relevant operation methods of each part of the instrument.
4. Do not expose the instrument to direct sunlight or places close to heat sources.
5. Do not change the ambient temperature of the instrument suddenly.
6. Do not place the instrument in a place with strong vibration.
7. Do not use the instrument in a dusty environment.
8. The USB charging voltage should not exceed the DC5V limit.

## Machine description



## Technical parameter

Item	Digital Refractometer
Scales	%Brix, SG, °Plato, °Oe or other scale as customized
Ranging Scope	Brix: 0-35%/0-55%; other scales as conversion
Accuracy	Brix: 0.2%Brix
Resolution	0.1% Brix
Temperature	10°C- 40°C
Temperature resolution	0.1°C
Measuring time	< 3S
Dimension	105*50*25mm
Weight	80g
Battery	Built-in Lithium
Auto power-off	2 minutes
Packing	Machine, pipette, USB cable, Cleaning cloth, Manual

## Operation

### 1. Instrument on/off

Press "ON/OFF MEAS" to start the instrument. Long press the "ON/OFF MEAS" to shut down the instrument.