

The ultimate ironing machine



 euroflex smooth^{B2}

UNIQUE DESIGN

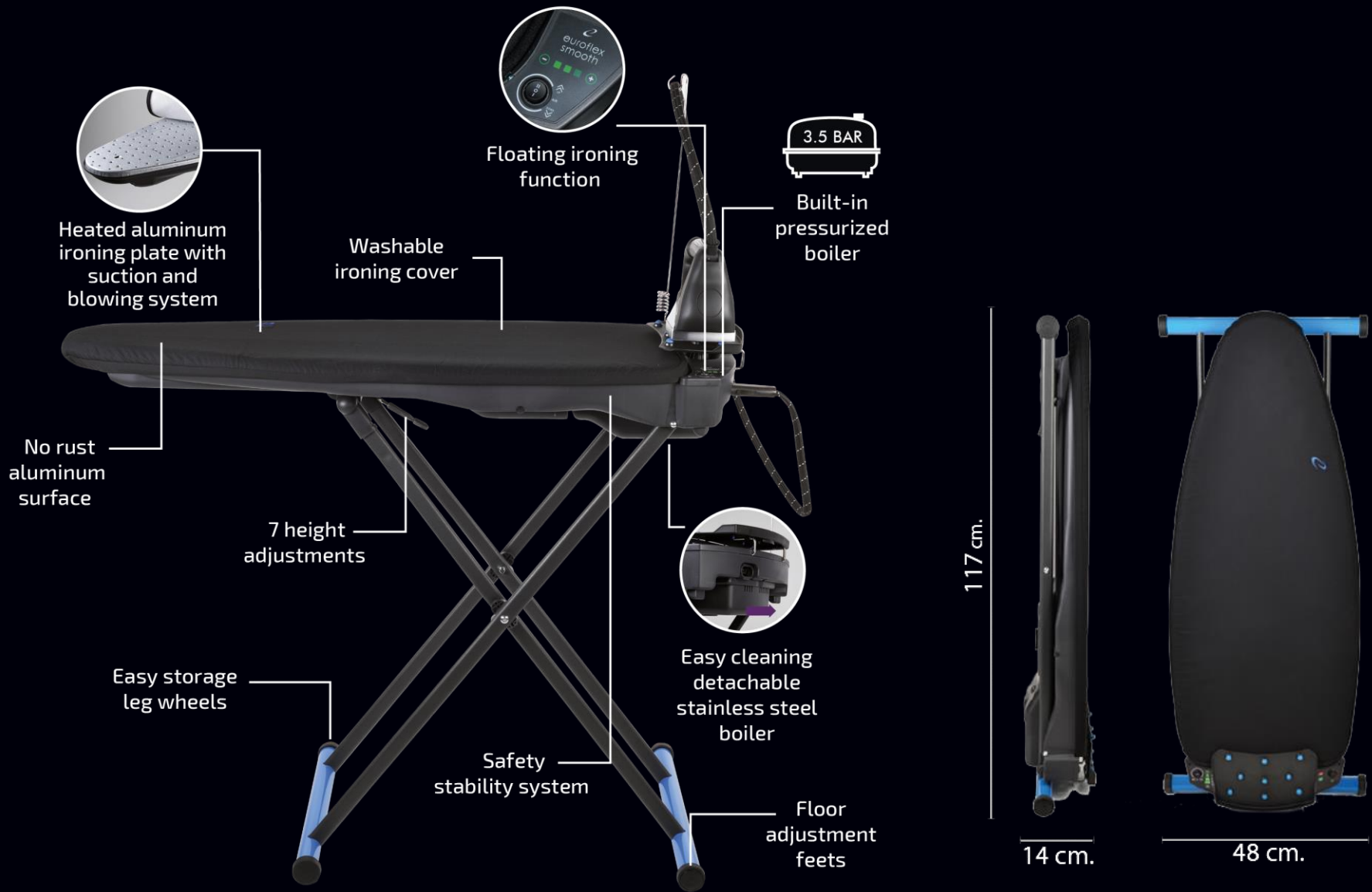
4 Patent Pending



- LIGHT
- COMPACT
- USER FRIENDLY



- ENERGY SAVING
- TIME SAVING



 euroflex smooth^{B2}

NEW Ironing Concept FLOATING IRONING

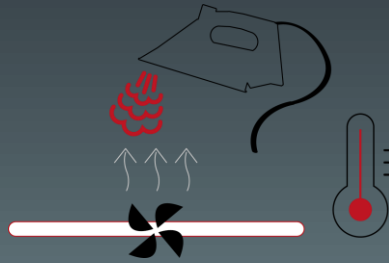


- IRONING FASTER
- IRONING EASIER
- IRONING LIKE A PRO
- IDEAL FOR ELIMINATING WRINKLES

 euroflex smooth^{B2}

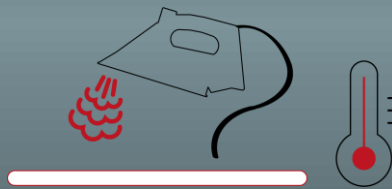
All you need for a PROFESSIONAL IRONING

FLOATING
IRONING
SYSTEM

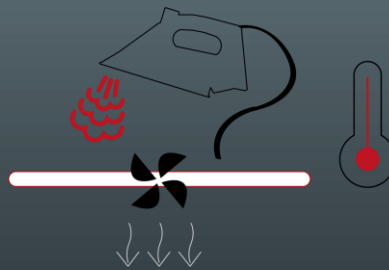


To the vacuum and heating function has been added the FLOATING CONCEPT

HEATED
SYSTEM



VACUUM
SYSTEM



MAX ironing efficiency

OPTIMAL transfer
of the heat across
the whole aluminum plate

Steam easily passes
through the fibres
and the garments remain dry



Heated aluminum
ironing plate with
suction and
blowing system





PRESSURIZED
BOILER

+



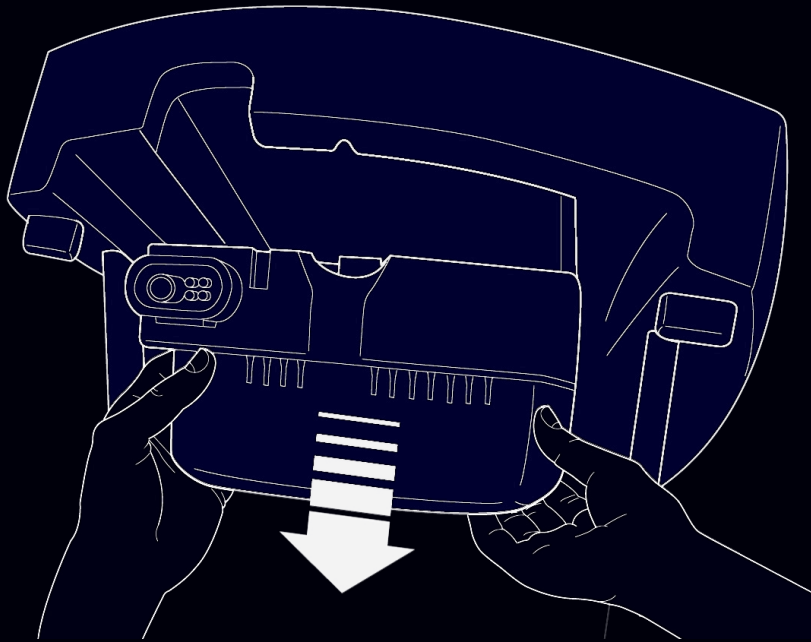
PROFESSIONAL
IRON

= ALL IN ONE IRONING SYSTEM

- DOUBLE HEATING of the STEAM:
BOILER + PROFESSIONAL IRON
- DRY STEAM
- VERY LOW PERCENTAGE of the
HUMIDITY in the steam
- VERY LOW LEVEL of the
CONDENSATION of the steam



 euroflex smooth^{B2}



- DETACHABLE BOILER
- EASY HANDLING IN CASE OF CLAIMS OF IRON OR BOILER
- EASY MAINTENANCE SYSTEM

Technical Data

Power : 1950W | Rating: 220-240V~50/60 Hz

Product Dimension: 117x50x14 cm | Box Dimension: 120x53x16 cm

Gross Weight: 16,4 kg | Net Weight: 14,6 kg

Cable Length: 2.5 mt | Water Capacity: 0.8 Lt.



Active Ironing System

Inside of The Pack



Iron cord support



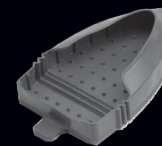
Washable cotton cover



Accessories Bag



Antiscalcing bottle



Safety hot iron protection shell



Professional Iron

 euroflex smooth^{B2}



euromflex

Home, Simplified.



Plastecs S.r.l
Via dei Colli, n. 59
31058 Susegana (TV) – Italy
Tel: +39 0438 453334
www.euromflex-appliances.com