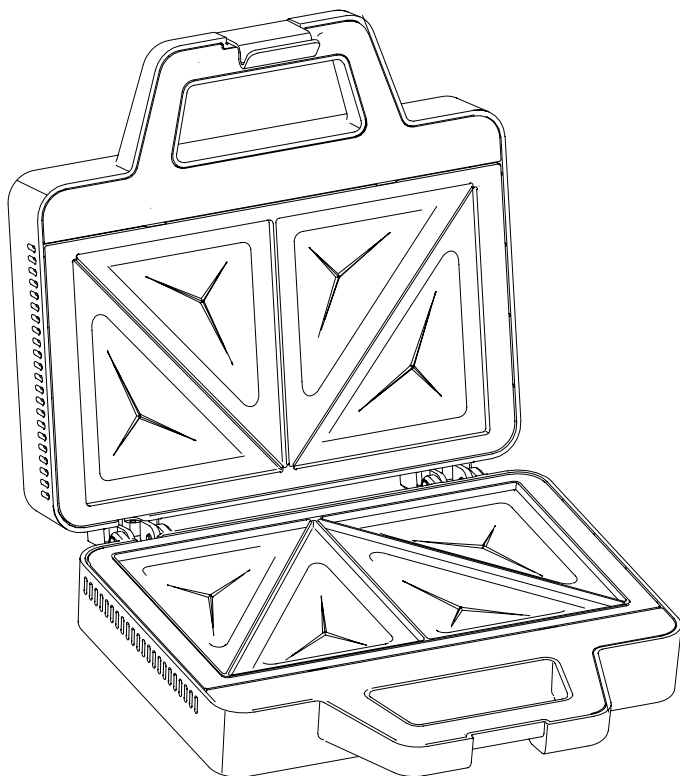


bodum[®]

11533 BISTRO

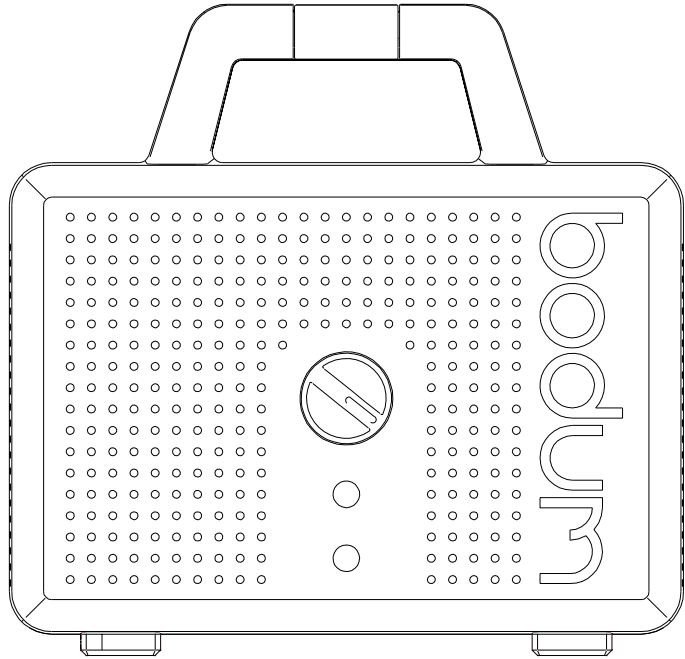
Sandwich Toaster



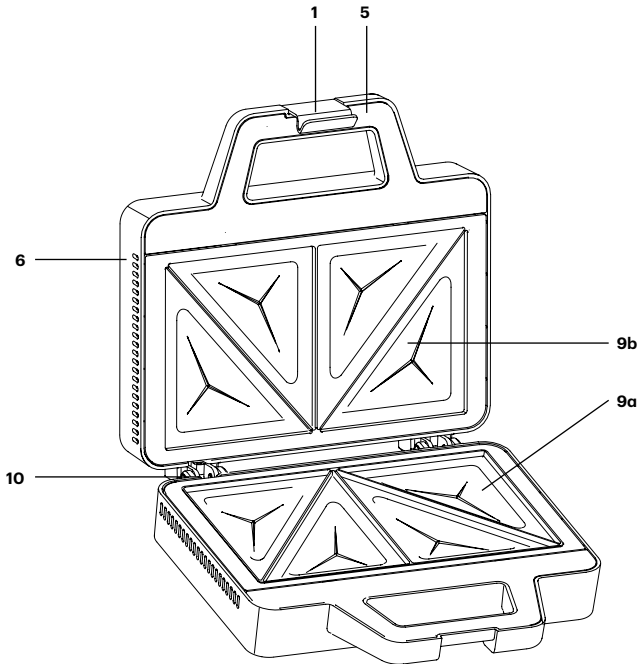
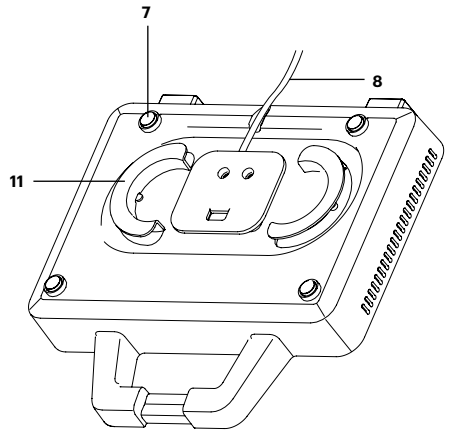
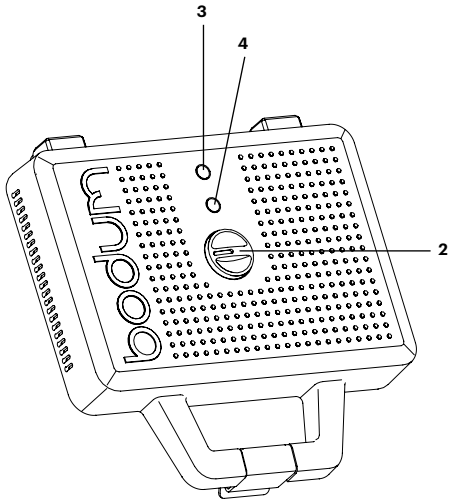
| | | |
|-----------------------------------|-----------------------------|-------------------|
| Sandwich Toaster | Instruction For Use | ENGLISH |
| Sandwich-Toaster | Gebrauchsanweisung | DEUTSCH |
| Appareil à croque-monsieur | Mode d'emploi | FRANÇAIS |
| Sandwich Toaster | Brugsanvisning | DANSK |
| Tostadora De Sándwich | Instrucciones De Uso | ESPAÑOL |
| Tostapane Per Sandwich | Istruzioni Per L'uso | ITALIANO |
| Tosti-ljzer | gebruiksaanwijzing | NEDERLANDS |
| Smörgåsgrill | Bruksanvisning | SVENSKA |
| Sandwicheira | Manual De Instruções | PORTUGUÊS |
| Lämmin voileipäkone | Käyttöohje | SUOMI |
| Сэндвичница | Руководство По Эксплуатации | RUSSIAN |

Welcome to BODUM®

**Congratulations! You are now the proud owner
of the BODUM® BISTRO Sandwich Toaster.**



Please read these instructions carefully before using.
Bitte lesen Sie diese Hinweise sorgfältig vor der Benutzung.
Lisez attentivement ce mode d'emploi avant d'utiliser.



SANDWICH TOASTER

List of Components

- 1 Closure
- 2 Temperature control
- 3 H – Appliance is heating (green)
- 4 I – Appliance is power on (red)
- 5 Handle
- 6 Cover
- 7 Feet
- 8 Power cord
- 9a Toasting surface with anti-stick coating
- 9b Toasting surface with anti-stick coating
- 10 Hinges
- 11 Cord storage

SANDWICH-TOASTER

Liste der Bauteile

- 1 Verschluss
- 2 Temperaturregler
- 3 H – das Gerät heizt sich auf (grün)
- 4 I – das Gerät ist eingeschaltet (rot)
- 5 Griff
- 6 Abdeckung
- 7 Füße
- 8 Netzkabel
- 9a Toastfläche mit Antihafbeschichtung
- 9b Toastfläche mit Antihafbeschichtung
- 10 Scharniere
- 11 Kabelstaufach

APPAREIL À CROQUE-MONSIEUR

Liste des composants

- 1 Fermeture
- 2 Sélectionneur de température
- 3 H – l'appareil chauffe (vert)
- 4 I – l'appareil est sous tension (rouge)
- 5 Poignée
- 6 Couvercle
- 7 Pied
- 8 Cordon électrique
- 9a Plaque chauffante anti-adhésive
- 9b Plaque chauffante anti-adhésive
- 10 Charnières
- 11 Rangement cordon

SANDWICH TOASTER

Liste af bestanddele

- 1 Lukkemechanisme
- 2 Temperaturkontrol
- 3 H – Apparatet opvarmer (grøn)
- 4 I – Apparatet er tændt (rød)
- 5 Håndtag
- 6 Låg
- 7 Fødder
- 8 Ledning
- 9a Toastingoverflade med anti-stickbelægning
- 9b Toastingoverflade med anti-stickbelægning
- 10 Hængsler
- 11 Ledningsopbevaringsrum

TOSTADORA DE SÁNDWICH

Lista de Partes

- 1 Cierre
- 2 Control de Temperatura
- 3 H – Artefacto Calentando (verde)
- 4 I – Artefacto encendido (rojo)
- 5 Asas
- 6 Tapa
- 7 Pie
- 8 Cable de alimentación
- 9a Superficie tostadora con cobertura antiadherente
- 9b Superficie tostadora con cobertura antiadherente
- 10 Bisagras
- 11 Compartimiento para cable

TOSTAPANE PER SANDWICH

Elenco dei componenti

- 1 Chiusura
- 2 Regolatore della temperatura
- 3 H – L'apparecchio si sta riscaldando (verde)
- 4 I – L'apparecchio è acceso (rosso)
- 5 Manico
- 6 Copertura
- 7 Piedi
- 8 Cavo di alimentazione
- 9a Superficie di tostatura con rivestimento antiaderente
- 9b Superficie di tostatura con rivestimento antiaderente
- 10 Cardini
- 11 Portacavo

TOSTI-IJZER|

Lijst van onderdelen

- 1 Sluiting
- 2 Temperatuurregeling
- 3 H – Het apparaat warmt op (groen)
- 4 I – Het apparaat staat aan (groen)
- 5 Handgreep
- 6 Deksel
- 7 Pootjes
- 8 Netsnoer
- 9a Roosteroppervlak met anti-aanbaklaag
- 9b Roosteroppervlak met anti-aanbaklaag
- 10 Scharnieren
- 11 Opbergruimte voor snoer

SMÖRGÅSGRILL

List over delar

- 1 Lås
- 2 Temperaturreglage
- 3 H – Apparatet värmer upp (grön)
- 4 I – Apparatet är igång (röd)
- 5 Handtag
- 6 Lock
- 7 Fötter
- 8 Strömsladd
- 9a Grill med teflonyta
- 9b Grill med teflonyta
- 10 Gångjärn
- 11 Sladdförvaring

SANDWICHEIRA

Lista de Componentes

- 1 Fecho
- 2 Controlo da temperatura
- 3 H – O equipamento está a aquecer (verde)
- 4 I – O equipamento está ligado (vermelho)
- 5 Pega
- 6 Tampa
- 7 Base
- 8 Cabo elétrico
- 9a Superfície para tostar com revestimento anti-aderente
- 9b Superfície para tostar com revestimento anti-aderente
- 10 Dobradiças
- 11 Armazenamento do cabo

LÄMMIN VOILEIPÄKONE

Osalista

- 1 Suljin
- 2 Lämpötilan hallinta
- 3 H – Laite lämpenee (vihreä)
- 4 I – Laite on päällä (punainen)
- 5 Kahva
- 6 Kansi
- 7 Jalusta
- 8 Sähköjohto
- 9a Paahdotuspinta tarttumattomalla kerroksella
- 9b Paahdotuspinta tarttumattomalla kerroksella
- 10 Saranat
- 11 Johdot varastointi

СЭНДВИЧНИЦА

Перечень компонентов

- 1 Замок
- 2 Регулятор температуры
- 3 H – прибор нагревается (зеленый)
- 4 I – прибор включен (красный)
- 5 Ручка
- 6 Крышка
- 7 Ножи
- 8 Электрический шнур
- 9a Нагревательная поверхность с антипригарным покрытием
- 9b Нагревательная поверхность с антипригарным покрытием
- 10 Петли
- 11 Отделение для хранения шнура

BODUM AUSTRALIA WARRANTY

We are pleased to say that the return rate on BODUM® product is very low; however, should you need to process a returned BODUM® product under warranty, please follow the simple procedure below. We have tried to make it as simple as possible for both yourself and the end consumer.

BODUM® AUSTRALIA WARRANTY PROCEDURE

Our goods come with guarantees that cannot be excluded under the Australian Consumer Law. Consumers are entitled to a replacement or refund for a major failure and for compensation for any other reasonably foreseeable loss or damage. Consumers are also entitled to have the goods repaired or replaced if the goods fail to be of acceptable quality and the failure does not amount to a major failure.

The benefits to BODUM® customers given by the warranty set out below are in addition to other rights and remedies under a law in relation to the BODUM® product to which the warranty relates.

To process a faulty BODUM® product you will require a Return Authorisation (RA) number. Returned items without a RA number are not able to be processed for credit or replacement. Contact BODUM® on (02) 9692 0582 for a RA number.

Faulty product does not include items which have incurred wear and tear through general home use, misuse or commercial use. Warranty does not include accidental glass breakages.

WARRANTY PERIOD:

- **e-BODUM®:** 2 year replacement warranty from the date of purchase for electrical appliances where a defect appears and BODUM® is notified within 2 years from date of purchase.

Proof of purchase: any claim from the end consumer must be validated with a copy of proof of purchase; without providing a proof of purchase BODUM® Australia will not be able to process the claim. Proof of purchase includes original purchase receipt/docket or credit card statement showing the purchase amount.

Replacement or credit: once claim is validated, if possible please replace the faulty item from stock on hand. If a customer requires a replacement for an item which you don't have on hand, please have the item added to your next order.

Return or work order: to ensure that the return process is as easy as possible for both you and the end consumer, we don't do work orders or product repairs.

Once you have received a RA number and sighted the product please safely dispose of the faulty item. We don't require the faulty product to be sent back to us. However, if you come across an unusual fault which you think we need to be aware of please send it back to BODUM® Australia Head Office.

BODUM® (Australia) PTY LTD
Suite 39, 26-32 Pirrama Rd, Pyrmont NSW 2009
T. +61 2 9692 0582 F. +61 2 9692 0586
office.australia@bodum.com

Congratulations! You are now the proud owner of a BODUM® electrical BISTRO Sandwich Toaster. Please read these instructions carefully before you use your device for the first time.

Important safety warnings

Please read all of the information carefully and completely before you use your appliance for the first time. Any non-compliance with the instructions and warning can result in hazardous situations.

When using electrical appliances, basic safety precautions should always be followed, including the following:

Once you have unpacked the device, check it for any visible damages. Do not use if you are not certain that everything is in perfect condition. In the event of doubt, please contact your retailer.

Please store all packaging material (cardboard box, plastic bags, etc.) in a safe place not accessible by children (choking and injury hazards).

This device is designed for indoor household use only. Do not use it outdoors.

Do not place the device on or next to a turned on gas or electrical stove or into a preheated oven.

Do not touch the surfaces of the device while it is in operation. These surfaces will be extremely hot while the device is in use. Use handles or knobs.

Warning: While the device is in operation and when opening the cover once your sandwich is ready, hot steam may evaporate

from the unit, so please approach the device carefully at all times to prevent burns.

The manufacturer shall not assume any liability for damages to and injuries caused by the appliance resulting from its improper use or any usage that is not in compliance with these instructions. Make sure you use the device only for its intended purposes.

Do not permit children to play with the device.

This device must not be used by children. Keep the device and its cords out of children's reach at all times.

This device may be used by individuals who are physically, sensorially or mentally handicapped or who lack experience or are unfamiliar with the product's use only if they are under supervision or if they are given instructions with regard to the safe use of the device and if they do understand the hazards affiliated with the device.

This device is not suitable for use by small children or individuals suffering from handicaps of any kind unless such individuals are being monitored by a person in charge who ensures the safe use of the device.

This appliance can be used by children aged from 8 years and above and persons with reduced physical, sensory or mental capabilities or lack of experience and knowledge if they have been given supervision or instruction concerning use of the appliance in a safe way and understand the hazards involved. Children shall not play with the appliance. Cleaning and user maintenance shall not be made by children unless they are older than 8 and supervised.

Keep the appliance and its cord out of reach of children less than 8 years.

Unplug the device from mains whenever it is not in use, being monitored or before cleaning.

Allow to cool before putting on or taking off parts, and before cleaning the appliance.

Never touch this electrical device with moist or wet hands. Do not touch the cord or plug of the device while your hands are moist or wet.

Do not use any accessories or components with the devices that have not been recommended by the device manufacturer. The use of such accessories may result in fire, electrical shock and injuries.

Never immerse the appliance into water. Please keep in mind that your Sandwich Toaster is an electrical appliance.

To clean the device, simply wipe it off with a moist rag.

Turn the temperature control to setting «I» and unplug the device from mains to turn off the device.

Pull the plug, not the cord in order to unplug the device.

Make sure that the cord does not hang down over the edge of a table or work surface and do not allow it to come into contact with hot surfaces.

Do not use electrical devices under any circumstances if their cords or plugs are damaged or after improper functioning has been detected or if the appliance has been damaged in any way. In this case, please bring your appliance to the nearest manufacturer authorized service location for inspection, repair or proper set-up.

Do not ever attempt to replace the power cord of this device yourself, as special tools are required to perform this kind of work. Have the repair or replacement performed exclusively by a service location authorized by the manufacturer so that the safe operation of the device will be warranted.

Never immerse the power cord, housing and plug into water or other liquids as this could lead to fires, electrical shock and injuries.

Caution! In order to prevent the risk of the reaction of the safety cut-off, the device must not be connected to power via an

external switching device, such as a timer or connected to a power circuit, which is being regularly turned on and off by the electrical grid operator.

Make sure that the temperature control setting is on «I» and that the device has been disconnected from mains before you try to clean it or deactivate it.

Never leave the device turned on while it is not being monitored.

Appliance is not to be operated in the open position.

Do not ever place sandwiches into the sandwich toaster that are wrapped in plastic foil, freezer or sandwich bags made of plastic or aluminum or other metal foil. Doing so may damage the unit and cause fires.

Use extreme caution when moving an appliance containing hot oil or other hot liquids.

FOR USA AND CANADA MARKET ONLY If children or individuals who are not familiar with the device should use it, strict supervision is mandatory.

MAINS PLUG This device has a polarized plug (one of the contact pins is wider than the other). In order to reduce the risk of electrical shock, the plug can be connected with mains only by fitting the plug correctly into the outlet. If the plug does not fit into your receptable, turn it 180° and try again. If it should still not fit, contact a certified electrician. Do not attempt to replace the plug yourself.

**Retain these user instructions
for future reference.**

**SETTING UP
THE APPLIANCE**

Always place the device on a stable, level surface that is neither hot nor anywhere near a heat source. The set-up surface must be dry. Keep the device and its power cord out of children's reach.

Double-check to make sure that the voltage rating on the identification label of the device is congruent with the mains voltage of your specific region. Plug the device only into a properly grounded socket with an output rating of at least 6A (if you are using a fault protection switch plate (RCD), please ask an electrician for advice). While the device is in operation, the socket must be easily accessible in the event of an emergency. The manufacturer shall not assume any liability for accidents resulting from deficient or non-existing grounding.

If the socket should not be compatible with the plug of your appliance, please have the socket replaced by a certified electrician.

**SPECIAL SAFETY
INFORMATION**

Do not use any metal parts, knives, forks or similar objects to place sandwiches into the toaster or to remove them. This could damage the anti-stick coating. Always use plastic or wooden spoons/tools.

An extension cord can be used with this device provided the applicable precautions are taken.

If you are planning to use an extension cord, make sure that the electrical indices of the extension cord are at least the same as those of the device. If the device is grounded, the extension cord must be three-prong and grounded. The longer cord must be positioned in such a manner that it does not hang down over the edge of a table or of a work surface. Also make sure that children cannot pull on it and that it does not create a stumbling/tripping hazard unintentionally.

**BEFORE YOU USE
YOUR SANDWICH
TOASTER**

Before its first use, make sure you clean the device. See chapter MAINTENANCE AND CARE.

Distribute some cooking oil over the toasting surfaces. Allow the device to heat up in setting «5» for 5 minutes while it is empty and the cover is open. Next, turn the temperature control down to setting «1», unplug it and wait until the appliance has cooled down.

You may detect a slight odor in the air when the device is heating up the first time. This is a normal occurrence when the components are heated up for the first time.

The appliance is not to be operated in the open position.

HOW TO USE YOUR SANDWICH TOASTER

1 – Preheating

Before you connect the device to mains, make certain that the appliance is closed and that the temperature control (2) is in position «I».

Now place the device upright on its feet (7) and connect it to mains. The red lamp (4) will illuminate. Turn the temperature control to the desired setting. Then the green lamp (3) will switch on.

As soon as the temperature control has reached the preset temperature, the green lamp (3) will switch off.

2 – Placing food into the sandwich toaster

All ingredients used must be ready to eat!

Do not use any uncooked meat or other raw ingredients that require prior preparation so that they are safe to eat. The sandwich toaster does not cook or sear food.

We recommend that you have your sandwich ingredients ready for placement into the toaster prior to or during the warm-up phase.

To make 2 sandwiches, you will need 4 slices of toast – the best sizes are medium to large slices.

To give your sandwiches a golden brown appearance and crispiness, spread butter or margarine on one side of each slice.

With the buttered side facing down, place a slice of bread on a plate and add the desired ingredients. Make sure you do not place an excessive amount of toppings on the slice to prevent the ingredients from being squeeze out of the sandwich during the toasting process. We recommend you leave about a 5 mm frame of uncovered bread around the edges of each slice.

Place a second slice of bread with the buttered end facing up on the slice that has the toppings on it.

As soon as the green lamp (3) switch off, place the prepared

untoasted sandwiches on the toasting surface (9a). Make sure that the sandwiches are fit into the designated rectangles of the toasting surfaces. **Warning:** the toasting surfaces will be extremely hot at this point!

Now cautiously close the cover (6), press the handles (5) together and lock the device with the closure (1).

Allow the bread to toast for a few minutes depending on the temperature setting you have chosen and how crispy you want your sandwich to be.

Once the sandwich has been in the toaster for the desired amount of time and meets your expectations, open the closure (1) and cover (6). Exercise caution when removing your sandwich. **Warning:** the toasting surfaces are still very hot!

Once your sandwiches have been prepared and you no longer need the appliance, turn the temperature control to «I» and unplug the device.

Wait until the device has cooled down completely and always unplug the device before you clean it and store it.

Recipe suggestions

Ham and cheese sandwich

Ingredients (for 1 sandwich)
 – 2 slices of toast
 – 1 or 2 slices of cheese
 – 1 or 2 slices of boiled ham

Hawaiian style sandwich

Ingredients (for 1 sandwich)
 – 2 slices of toast
 – 1 or 2 slices of cheese
 – 1 or 2 slices of boiled ham
 – 1 slice or several cubes of canned pineapple

TIP: Be creative with the ingredients for the filling – simply use whatever you have on hand or like best. You can use for instance salami instead of the ham or tomatoes (seeds and juice removed). Try different options and discover your favorites by being adventurous.

Important: Do not overfill your sandwich, as this may cause the ingredients to spill out of the Sandwich Toaster's sides. Do not use liquid/runny fillings of any kind, as liquids are not suitable for toasting (i.e. mustard, mayonnaise, relish, etc.).

CORD STORAGE

Before you put your appliance away for storage, always roll up the cord (8) inside the cord storage compartment (11).

**MAINTENANCE
AND CARE**

Always wait until the device has cooled down completely before you clean it.

Before you start cleaning the appliance, make sure it is no longer connected to mains.

Any other servicing should be performed by an authorized service representative.

**CLEANING
THE HOUSING
AND TOASTING
SURFACES**

Never use any harsh scrubbing cleaners, scrapers, metal covered sponges, steel wool or soap steel wool sponges to clean the toasting surfaces or the device housing.

Use only a moist rag to wipe the housing and toaster surfaces clean. If tough residue should keep sticking to the toaster surfaces, place some food grade oil on a paper towel and remove the food with it.

Never immerse the housing, plug and cord into water – the Sandwich Toaster is an electrical device!

STORAGE

The cord should always be rolled up inside the cord compartment (11).

Make sure your device always sits upright on its feet (7) while it is being stored.

Important: Always unplug the device when it is not in use.

TECHNICAL SPECIFICATIONS

EN

TECHNICAL DATA

| | | |
|----------------------------|-------------------------------------|-------------|
| Nominal voltage EUROPE | 220–240 V~ 50/60Hz | |
| Nominal voltage USA | 120 V~ 60Hz | |
| Nominal power EUROPE | 700 Watt | |
| Nominal power USA | 700 Watt | |
| Cord length | approx. 100 cm / 39.4 in | |
| Temperature | Setting 1 | Power on |
| | Setting 2 | 120°C/248°F |
| | Setting 3 | 140°C/284°F |
| | Setting 4 | 160°C/320°F |
| | Setting 5 | 180°C/356°F |
| | | 200°C/392°F |
| Toaster surface dimensions | L × W = 130 × 220 mm / 5.1 × 8.7 in | |
| Approvals | GS, CE, ETL, CETL | |

MANUFACTURER GUARANTEE FOR THE USA & CAN, THE EU AND CH.

Guarantee: BODUM® AG, Switzerland, guarantees the BISTRO Sandwich Toaster for a period of two years from the date of original purchase against faulty materials and malfunctions that can be traced back to defects in design or manufacturing. Repairs are carried out free of charge if all guarantee conditions are met. Refunds are not available.

Guarantor: BODUM® (Schweiz) AG, Kantonsstrasse 100, Postfach 463, 6234 Triengen.

Guarantee conditions: The guarantee certificate must be completed by the seller at the time of purchase. You must present the guarantee certificate to obtain guarantee services. Should your BODUM® product require guarantee service, please contact your BODUM® retailer, a BODUM® store, your country's BODUM® distributor, or visit www.bodum.com.

BODUM® will not provide warranty for damage resulting from inappropriate use, improper handling, normal wear and tear, inadequate or incorrect maintenance or care, incorrect operation or use of the appliance by unauthorized persons.

This Manufacturer Guarantee does not affect your statutory rights under applicable national laws in force, nor your right against the dealer arising from their sales/purchase contract.

Environmentally acceptable disposal



This marking indicates that this product should not be disposed with other household wastes throughout the EU. To prevent possible harm to the environment or human health from uncontrolled waste disposal, recycle it responsibly to promote the sustainable reuse of material resources.

To return your used device, please use the return and collection systems or contact the retailer where the product was purchased. They can take this product for environmental safe recycling.

Instructions for use

DEUTSCH

Wir gratulieren Ihnen zum Kauf eines elektrischen BISTRO-Sandwich-Toasters von BODUM®! Bitte lesen Sie diese Anleitung sorgfältig, bevor Sie das Gerät zum ersten Mal benutzen.

Wichtige Sicherheitshinweise

Bitte lesen Sie alle Informationen sorgfältig und vollständig, bevor Sie das Gerät zum ersten Mal benutzen. Jede Nichtbeachtung der Anweisungen und Warnhinweise kann zu gefährlichen Situationen führen.

Bei der Benutzung von Elektrogeräten sollten immer einige grundlegende Sicherheitshinweise beachtet werden:

Sobald Sie das Gerät ausgepackt haben, überprüfen Sie es auf sichtbare Schäden. Verwenden Sie das Gerät nicht, wenn Sie sich nicht sicher sind, dass es sich in einem einwandfreien Zustand befindet. Wenden Sie sich im Zweifelsfall an Ihren Händler.

Bewahren Sie alle Verpackungsmaterialien (Karton, Kunststoffbeutel etc.) an einem sicheren und für Kinder unzugänglichen Ort auf (Erstickungs- und Verletzungsgefahr).

Dieses Gerät ist nur für den Gebrauch in Innenräumen vorgesehen. Benutzen Sie das Gerät nicht im Freien.

Platzieren Sie das Gerät nicht auf oder neben einem eingeschalteten Gas- oder Elektroofen oder in einem vorgeheizten Ofen.

Berühren Sie die Oberflächen des Geräts nicht während des Betriebs. Diese Oberflächen können während des Betriebs extrem heiß werden. Benutzen Sie die Griffe oder Knöpfe.

Warnung: Während des Betriebs und beim Öffnen des Geräts, wenn Ihr Sandwich fertig ist, kann heißer Dampf aus dem Gerät austreten. Nähern Sie sich dem Gerät daher jederzeit vorsichtig, um Verbrennungen zu vermeiden.

Der Hersteller übernimmt keine Haftung für Schäden an dem Gerät oder Verletzungen durch dasselbe, die durch eine unsachgemäße Nutzung oder die Nichtbeachtung der vorliegenden Anleitung entstehen. Nutzen Sie das Gerät ausschließlich für den vorgesehenen Verwendungszweck.

Lassen Sie Kinder nicht mit dem Gerät spielen.

Dieses Gerät darf nicht von Kindern benutzt werden. Bewahren Sie das Gerät und das Kabel immer außerhalb der Reichweite von Kindern auf.

Dieses Gerät darf von körperlich, sensorisch oder geistig beeinträchtigten, unerfahrenen oder nicht mit dem Gerät vertrauten Personen nur unter Aufsicht oder nach Kenntnisnahme der Anweisungen zum sicheren Gebrauch des Geräts und sofern sie die mit dem Gerät verbundenen Gefahren kennen, genutzt werden.

Dieses Gerät ist nicht für kleine Kinder oder Personen mit Behinderungen jeder Art geeignet und darf von solchen Personen nur unter Aufsicht einer für die sichere Nutzung verantwortlichen Person genutzt werden.

Dieses Gerät kann von Kindern im Alter ab 8 Jahren und Personen mit körperlichen, sensorischen oder geistigen Beeinträchtigungen oder Personen mit mangelnder Erfahrung oder Sachkenntnis nur unter Aufsicht und nach Anweisung hinsichtlich der sicheren Nutzung des Geräts und Kenntnisnahme der damit verbundenen Gefahren benutzt werden. Das Gerät darf von Kindern nur ab einem Alter ab 8 Jahren und nur unter Aufsicht gereinigt und gepflegt werden.

Bewahren Sie das Gerät und das Kabel außerhalb der Reichweite von Kindern unter 8 Jahren auf.

Trennen Sie das Gerät von der Steckdose, wenn Sie es nicht benutzen oder bevor es gewartet oder gereinigt wird.

Lassen Sie das Gerät abkühlen, bevor Sie Teile einsetzen oder entfernen und bevor Sie es reinigen.

Berühren Sie das Gerät niemals mit feuchten oder nassen Händen. Berühren Sie das Kabel oder den Netzstecker des Geräts nicht, wenn Ihre Hände feucht oder nass sind.

Verwenden Sie keine Zubehörteile oder Komponenten mit dem Gerät, die nicht von dem Gerätehersteller empfohlen wurden. Die Nutzung solcher Zubehörteile kann Brände, Stromschläge und Verletzungen verursachen.

Tauchen Sie das Gerät niemals in Wasser. Denken Sie daran, dass Ihr Sandwich-Toaster ein Elektrogerät ist.

Reinigen Sie das Gerät einfach mit einem feuchten Tuch.

Stellen Sie den Temperaturregler auf „I“ und trennen Sie das Gerät von der Stromversorgung, um es abzuschalten.

Ziehen Sie das Kabel des Geräts immer am Stecker und nicht am Kabel selbst aus der Steckdose.

Vergewissern Sie sich, dass das Kabel nicht über die Kante des Tisches oder der Arbeitsplatte herunterhängt und dass es keine heißen Oberflächen berührt.

Verwenden Sie elektrische Geräte niemals, wenn ihre Kabel oder Stecker beschädigt sind oder eine Funktionsstörung festgestellt wurde oder das Gerät in irgendeiner Weise beschädigt ist. Bringen Sie Ihr Gerät in diesem Fall zur Inspektion, Reparatur oder richtigen Einstellung in die nächste vom Hersteller autorisierte Service-Werkstatt.

Versuchen Sie niemals, das Netzkabel des Geräts selbst zu ersetzen, da hierfür Spezialwerkzeuge erforderlich sind. Reparatur- oder Austauscharbeiten sollten ausschließlich von einer durch den Hersteller autorisierten Service-Werkstatt durchgeführt werden, um den sicheren Betrieb des Geräts zu gewährleisten.

Tauchen Sie das Netzkabel, das Gehäuse und den Stecker niemals in Wasser oder andere Flüssigkeiten, da dies zu Bränden, Stromschlägen und Verletzungen führen kann.

Vorsicht! Um die Aktivierung der Sicherheitsabschaltung zu verhindern, darf das Gerät nicht über eine externe Schaltvorrichtung wie einen Timer an eine Steckdose oder ein Stromnetz angeschlossen werden, das regelmäßig von Stromnetzbetreiber ein- und ausgeschaltet wird.

Vergewissern Sie sich, dass der Temperaturregler auf „I“ gestellt und das Gerät vom Stromnetz getrennt wurde, bevor Sie versuchen, es zu reinigen oder zu deaktivieren.

Lassen Sie das eingeschaltete Gerät niemals unbeaufsichtigt.

Das Gerät darf nicht in geöffneter Position betrieben werden.

Legen Sie niemals in Plastikfolie, Gefrierbeutel oder Butterbrotbeutel aus Kunststoff, Aluminium oder einer anderen Metallfolie eingewickelte Sandwiches in den Sandwich-Toaster, da dies das Gerät beschädigen und Brände verursachen kann.

Seien Sie besonders vorsichtig, wenn Sie ein Gerät bewegen, das heißes Öl oder andere heiße Flüssigkeiten enthält.

NUR FÜR DEN US- UND KANADISCHEN MARKT Kinder oder Personen, die mit dem Gerät nicht vertraut sind, dürfen es nur unter strenger Aufsicht benutzen.

**Bewahren Sie diese Anleitung
für die spätere Nutzung auf.**

**VORBEREITUNG
DES GERÄTS**

Platzieren Sie das Gerät immer auf einer stabilen, ebenen Oberfläche, die weder heiß ist noch in der Nähe einer Wärmequelle liegt. Halten Sie das Gerät und das Stromkabel von Kindern fern.

Vergewissern Sie sich sorgfältig, dass die Nennspannung auf dem Typenschild der Netzspannung Ihrer Region entspricht. Stecken Sie den Stecker in eine ordnungsgemäß geerdete Steckdose mit einer Ausgangsleistung von mindestens 6A (wenn Sie eine Fehlerstromschutzschalterplatte (RCD) verwenden, lassen Sie sich von einem Elektriker beraten). Die Steckdose muss während des Betriebs des Geräts im Notfall leicht zugänglich sein. Der Hersteller übernimmt keine Haftung für Unfälle aufgrund einer defekten oder nicht vorhandenen Erdung.

Sollte die Steckdose nicht mit dem Stecker Ihres Elektrogeräts kompatibel sein, lassen Sie die Steckdose durch einen zugelassenen Elektriker auswechseln.

**BESONDERE
SICHERHEITS-
HINWEISE**

Verwenden Sie keine Metallteile, Messer, Gabeln oder ähnliche Objekte, um Sandwiches in den Toaster zu legen oder daraus zu entfernen. Dies könnte die Antihaftbeschichtung beschädigen. Verwenden Sie immer Löffel oder Werkzeuge aus Kunststoff oder Holz.

Wenn die entsprechenden Sicherheitsvorkehrungen getroffen werden, kann ein Verlängerungskabel mit diesem Gerät verwendet werden.

Wenn Sie ein Verlängerungskabel verwenden möchten, vergewissern Sie sich, dass die Angaben auf dem Verlängerungskabel mindestens den Spezifikationen des Geräts entsprechen. Wenn das Gerät geerdet ist, muss das Verlängerungskabel dreiadrig und geerdet sein. Das längere Kabel muss so positioniert werden, dass es nicht über die Kante eines Tisches oder einer Arbeitsplatte hängt. Vergewissern Sie sich auch, dass Kinder nicht daran ziehen können und niemand versehentlich über das Kabel fallen oder stolpern kann.

**BEVOR SIE IHREN
SANDWICH-
TOASTER
BENUTZEN**

Reinigen Sie das Gerät vor der ersten Nutzung. Lesen Sie hierzu das Kapitel WARTUNG UND PFLEGE.

Verteilen Sie ein wenig Speiseöl über die Toastflächen. Lassen Sie das Gerät auf Stufe „5“ für 5 Minuten leer und mit

geöffneter Abdeckung aufheizen. Stellen Sie den Temperaturregler anschließend auf „I“, trennen Sie das Gerät von der Stromversorgung und warten Sie, bis es sich abgekühlt hat.

Wenn das Gerät erstmalig aufheizt, werden Sie eventuell einen leichten Geruch in der Luft feststellen. Dies ist normal, wenn die Gerätekomponenten zum ersten Mal aufgeheizt werden.

Das Gerät darf nicht in geöffneter Position betrieben werden.

VERWENDUNG IHRES SANDWICH- TOASTERS

1 – Vorheizen

Vergewissern Sie sich, dass das Gerät geschlossen und der Temperaturregler (2) auf die Position „I“ gestellt ist, bevor Sie es an eine Steckdose anschließen.

Stellen Sie das Gerät aufrecht auf die Füße (7) und schließen Sie es an die Steckdose an. Die rote Lampe (4) leuchtet. Stellen Sie den Temperaturregler auf die gewünschte Temperatur ein. Die grüne Lampe (3) leuchtet auf.

Sobald der Temperaturregler die voreingestellte Temperatur erreicht hat, erlischt die grüne Lampe (3).

2 – Lebensmittel in den Sandwich-Toaster legen

Alle verwendeten Zutaten müssen verzehrfertig sein!

Verwenden Sie kein ungegartes Fleisch und keine anderen rohen Zutaten, die nur nach vorheriger Zubereitung für den Verzehr geeignet sind. Der Sandwich-Toaster kann keine Lebensmittel kochen oder braten.

Wir empfehlen Ihnen, die Zutaten für Ihr Sandwich bereitzulegen, bevor oder während der Toaster aufheizt.

Um zwei Sandwiches zuzubereiten, benötigen Sie 4 Scheiben Toast – am besten mittlere bis große Scheiben.

Damit Ihre Sandwiches goldbraun und knusprig werden, streichen Sie Butter oder Margarine auf eine Seite jeder Scheibe.

Legen Sie eine Brotscheibe mit der gebutterten Seite auf einen Teller und geben Sie die gewünschten Zutaten hinzu. Geben Sie nicht zu viel Belag auf die Scheibe, damit dieser während des Toastvorgangs nicht aus dem Sandwich herausquellen kann. Wir empfehlen Ihnen, einen Rand von ca. 5 mm um die Kanten jeder Scheibe freizulassen.

Legen Sie eine zweite Scheibe mit der gebutterten Seite nach

oben auf die belegte Scheibe.

Sobald die grüne Lampe (3) erlischt, legen Sie die vorbereiteten untoasteten Sandwiches auf die Toastfläche (9a). Platzieren die Sandwiches genau in den rechteckigen Toastflächen. **Warnung:** Die Toastflächen sind zu diesem Zeitpunkt sehr heiß!

Schließen Sie anschließend vorsichtig den Deckel (6), drücken Sie die Griffe (5) zusammen und verriegeln Sie das Gerät mit dem Verschluss (1).

Lassen Sie das Brot je nach gewählter Temperatureinstellung und gewünschter Knusprigkeit einige Minuten toasten.

Sobald das Sandwich einige Minuten in dem Gerät getoastet wurde und Ihren Wünschen entspricht, öffnen Sie den Verschluss (1) und die Abdeckung (6). Entnehmen Sie das Sandwich vorsichtig. **Warnung:** Die Toastflächen sind immer noch sehr heiß!

Wenn Ihr Sandwich fertig zubereitet ist und Sie das Gerät nicht mehr benötigen, stellen Sie den Temperaturregler auf „I“ und ziehen Sie das Stromkabel aus der Steckdose.

Lassen Sie das Gerät vollständig abkühlen und trennen Sie es immer von der Stromversorgung, bevor Sie es reinigen und verstauen.

Rezeptvorschläge

Schinken-Käse-Sandwich

Zutaten (für 1 Sandwich)
 – 2 Scheiben Toast
 – 1 oder 2 Scheiben Käse
 – 1 oder 2 Scheiben
 Kochschinken

Toast Hawaii

Zutaten (für 1 Sandwich)
 – 2 Scheiben Toast
 – 1 oder 2 Scheiben Käse
 – 1 oder 2 Scheiben
 Kochschinken
 – 1 Scheibe oder mehrere
 Würfel Dosenananas

TIPP: Seien Sie kreativ bei den Zutaten für den Belag. Verwenden Sie einfach, was gerade zur Verfügung steht oder Ihnen am besten schmeckt. Sie können beispielsweise Salami anstatt Schinken oder Tomaten (entfernen Sie vorher die Kerne und den Saft) verwenden. Probieren Sie verschiedene Optionen aus und entdecken Sie Ihre Favoriten, indem Sie experimentieren.

Wichtig: Überfüllen Sie Ihr Sandwich nicht, da die Zutaten sonst aus den Seiten des Sandwich-Toasters herausquellen. Verwenden Sie keinen flüssigen oder verlaufenden Belag, da Flüssigkeiten nicht für den Toaster geeignet sind (z.B. Senf, Mayonnaise, Relish etc.).

KABELSTAUFACH Rollen Sie das Kabel (8) immer auf und verstauen Sie es im Kabelstaufach (11), bevor Sie das Gerät wegräumen.

WARTUNG UND PFLEGE Lassen Sie das Gerät immer vollständig abkühlen, bevor Sie es reinigen.

Vergewissern Sie sich, dass das Gerät nicht mehr mit dem Stromnetz verbunden ist, bevor Sie es reinigen.

Alle anderen Wartungsarbeiten sollten von einem autorisierten Servicetechniker vorgenommen werden.

REINIGEN DES GEHÄUSES UND DER TOASTFLÄCHEN Verwenden Sie niemals aggressive Scheuermittel, Kratzer, Schwämme mit Metalloberfläche, Stahlwolle oder Seifen-Stahlwollschwämme, um die Toastflächen oder das Gerätegehäuse zu reinigen.

Reinigen Sie das Gehäuse und die Toastflächen mit einem feuchten Lappen. Entfernen Sie hartnäckige Rückstände auf den Toastflächen mit Speiseöl auf einem Papiertuch.

Tauchen Sie das Gehäuse, den Stecker und das Kabel niemals in Wasser. Der Sandwich-Toaster ist ein elektrisches Gerät!

AUFBEWAHRUNG Rollen Sie das Kabel immer in dem Kabelstaufach (11) auf.

Stellen Sie das Gerät während der Aufbewahrung aufrecht auf die Füße (7).

Wichtig: Trennen Sie das Gerät immer vom Stromnetz, wenn Sie es nicht benutzen.

TECHNISCHE SPEZIFIKATIONEN

TECHNISCHE DATEN

| | | |
|----------------------------|-------------------------------------|-------------|
| Nennspannung EURO | 220–240 V~ 50/60 Hz | |
| Nennspannung USA | 120 V~ 60 Hz | |
| Nennleistung EURO | 700 Watt | |
| Nennleistung USA | 700 Watt | |
| Kabellänge | etwa 100 cm / 39,4 in | |
| Temperatur | Position 1 | Macht auf |
| | Position 1 | 120°C/248°F |
| | Position 2 | 140°C/284°F |
| | Position 3 | 160°C/320°F |
| | Position 4 | 180°C/356°F |
| | Position 5 | 200°C/392°F |
| Toaster Flächendimensionen | L × W = 130 × 220 mm / 5,1 × 8,7 in | |
| Prüfzeichen | GS, CE, ETL, CETL | |

HERSTELLERGARANTIE FÜR DIE USA, KANADA, DIE EUROPÄISCHE UNION UND DIE SCHWEIZ.

Garantie: Die BODUM® AG, Schweiz, übernimmt für den BISTRO Sandwich-Toaster eine Garantie von zwei Jahren ab Datum des Kaufs gegen Mängel am Gerät, die nachweislich auf einem Material- und/oder Herstellungsfehler beruhen. Sofern die Garantiebedingungen erfüllt sind, wird BODUM® Mängel kostenfrei beheben. Eine Rückerstattung des Kaufpreises ist nicht möglich.

Garantiegeber: BODUM® (Schweiz) AG, Kantonsstrasse 100, Postfach 463, 6234 Triengen

Garantiebedingungen: Das Garantiezertifikat (letzte Seite dieser Gebrauchsanweisung) muss vom Verkäufer beim Kauf ausgefüllt werden. Bei Inanspruchnahme der Garantie ist das Garantiezertifikat vorzulegen. Hierzu wenden Sie sich bitte an Ihren Bodum Händler, ein Bodum Verkaufsgeschäft, den für Ihr Land zuständigen Vertriebspartner oder kontaktieren Sie uns unter www.bodum.com

Diese Garantie gilt nicht, wenn der Defekt eines Geräts auf unsachgemäßer Behandlung, üblichem Verschleiß, unsachgemäßer Pflege und/oder Nichtbeachtung der Gebrauchsanweisung beruht.

Ihnen stehen neben den Rechten aus der Garantie die gesetzlichen Rechte zu. Insbesondere werden die gesetzlichen Rechte des Verbrauchers, die ihm gegenüber seinem Vertragspartner zustehen, nicht eingeschränkt.

Korrekte Entsorgung dieses Produktes

Alte Elektrogeräte dürfen nicht mehr zusammen mit dem Restmüll beseitigt werden, sondern müssen getrennt entsorgt werden. Die Abgabe bei kommunalen Sammelstellen durch Privatpersonen ist kostenfrei. Die Besitzer von Altgeräten sind verpflichtet, die Geräte zu den Sammelstellen zu bringen oder bei einer entsprechenden Sammlung abzugeben. Mit diesem kleinen persönlichen Aufwand tragen Sie dazu bei, dass wertvolle Rohstoffe recycelt und Schadstoffe gezielt behandelt werden können.

Félicitations ! Vous êtes maintenant l'heureux propriétaire d'un appareil à croque-monsieur de BODUM®. Veuillez lire attentivement ces instructions avant d'utiliser l'appareil pour la première fois.

Consignes de sécurité importantes

Veillez lire attentivement toutes les informations avant d'utiliser votre appareil pour la première fois. Tout non-respect des consignes et avertissements peut provoquer des situations dangereuses.

Lors de l'utilisation d'appareils électriques, des précautions de sécurité élémentaires doivent toujours être suivies, notamment les suivantes :

Après avoir déballé l'appareil, vérifiez l'absence d'éventuels dommages. Ne l'utilisez pas si vous n'êtes pas certain que tout est parfaitement en ordre. En cas de doute, contactez votre revendeur.

Conservez tout le matériel d'emballage (carton, sachets en plastique etc.) hors de la portée des enfants (risque de suffocation ou de blessure).

Cet appareil n'est destiné qu'à une utilisation domestique.

Ne l'utilisez pas à l'extérieur.

Ne posez pas cet appareil sur ou à proximité d'une cuisinière à gaz ou électrique en marche ou dans un four préchauffé.

Ne touchez pas les surfaces de l'appareil lorsqu'il est en activité. Ces surfaces peuvent être extrêmement chaudes pendant l'utilisation de l'appareil. Utilisez des poignées ou des boutons.

Avertissement: lorsque l'appareil est en activité, et qu'on ouvre le couvercle lorsque votre sandwich est prêt, de la vapeur chaude peut s'évaporer de l'appareil. Approchez-vous donc toujours prudemment à l'appareil pour prévenir des brûlures.

Le fabricant n'est pas responsable de dommages ou blessures occasionnés par une utilisation non conforme ou non conforme aux consignes de sécurité. Veuillez utiliser l'appareil exclusivement pour l'usage prévu.

Les enfants ne doivent pas jouer avec l'appareil.

Cet appareil ne doit pas être utilisé par des enfants. Tenez toujours l'appareil et le cordon électrique hors de portée des enfants.

Cet appareil peut être utilisé par des personnes ayant des capacités physiques, sensorielles ou mentales réduites, ou n'ayant pas d'expérience et de connaissances, si elles sont sous surveillance ou si elles ont reçu des instructions au sujet de l'utilisation de l'appareil d'une manière sûre, et si elles ont compris les risques encourus.

Cet appareil n'est pas destiné à être utilisé par des petits enfants ou des personnes souffrant d'un handicap quelconque, sauf s'ils sont sous surveillance d'une personne responsable de l'utilisation sûre de l'appareil.

Cet appareil peut être utilisé par des enfants à partir de 8 ans s'ils sont surveillés et instruits au sujet de l'utilisation de l'appareil de manière sûre, et s'ils comprennent les risques encourus. Le nettoyage et l'entretien par l'utilisateur ne doivent pas être effectués par des enfants, sauf s'ils ont plus de 8 ans et qu'ils sont sous surveillance.

Tenez l'appareil et le cordon électrique hors de portée des enfants de moins de 8 ans.

Débranchez le cordon électrique de la prise murale lorsque l'appareil n'est pas utilisé, non surveillé, et avant le nettoyage.

Laissez-le refroidir avant d'ajouter ou de retirer des pièces, et avant de nettoyer l'appareil.

Ne touchez jamais l'appareil avec des mains humides ou mouillées. Ne touchez pas le cordon d'alimentation électrique ou la prise avec des mains mouillées.

N'utilisez l'appareil avec aucun accessoire ou composant qui n'a pas été recommandé par le fabricant de l'appareil. L'utilisation d'accessoires non recommandés par le fabricant de l'appareil peut provoquer un incendie, un choc électrique ou des blessures.

Ne plongez jamais l'appareil dans l'eau. Rappelez-vous toujours : il s'agit d'un appareil électrique.

Nettoyez l'appareil uniquement avec un chiffon humide.

Tournez le contrôle de température en position « I », et débranchez l'appareil du secteur électrique pour l'éteindre.

Pour débrancher l'appareil, tirez toujours sur la prise et non sur le cordon.

Veillez à ce que le cordon électrique ne soit pas suspendu au-dessus de la table ou d'un plan de travail, ou qu'il ne soit pas en contact avec des surfaces chaudes.

N'utilisez jamais un appareil avec un cordon électrique ou une prise endommagé(e), ou après un dysfonctionnement de l'appareil, ou lorsqu'il a été endommagé d'une manière quelconque. Retournez l'appareil au service après-vente agréé le plus proche pour vérification, réparation ou réglage.

N'essayez jamais de remplacer le cordon électrique de l'appareil puisque cela nécessite des outils spécifiques. Faites effectuer la réparation ou le remplacement du cordon électrique exclusivement par un service après-vente agréé par le fabricant, afin de garantir la sécurité du fonctionnement ultérieur de l'appareil.

Pour éviter un incendie, un choc électrique, ou des dommages corporels, ne plongez jamais le cordon, le boîtier et la prise dans l'eau ou dans d'autres liquides.

Vérifiez que le sélectionneur de température est en position « I », et que l'appareil a été débranché du réseau électrique, avant de le nettoyer, ou désactivez-le.

Ne laissez jamais allumé l'appareil lorsqu'il est sans surveillance.

L'appareil ne doit pas fonctionner en position ouverte.

Ne placez jamais dans l'appareil à croque-monsieur du pain sous film plastique, en boîtes de congélateur ou sandwich en plastique ou en aluminium ou autres films en métal. Ceci peut endommager le système et provoquer des incendies.

Soyez extrêmement prudent lorsque vous bougez un appareil contenant de l'huile chaude ou autres liquides chaudes.

UNIQUEMENT POUR LES MARCHÉS DES ÉTATS-UNIS – CANADA Une surveillance permanente est obligatoire lorsque des enfants ou personnes ne connaissant pas le système doivent utiliser l'appareil.

PRISE DE SECTEUR Cet appareil a une prise polarisée (un des contacts est plus large que l'autre). Pour réduire le risque de choc électrique, la prise ne peut être branchée sur le réseau électrique qu'en la branchant correctement dans la prise murale. Si la prise ne s'adapte pas à votre prise murale, tournez-la de 180° et réessayez. Si elle ne s'adapte toujours pas, contactez un électricien certifié. N'essayez pas de remplacer la prise vous-même.

Conservez ces instructions pour les consulter ultérieurement.

**INSTALLATION
DE L'APPAREIL**

Posez toujours l'appareil sur une surface stable et plane qui n'est ni chaude ni à proximité d'une source de chaleur. La surface doit être sèche. Gardez l'appareil et le cordon électrique hors de la portée des enfants.

Vérifiez que la tension de l'appareil indiquée sur la plaque signalétique, correspond à la tension du réseau électrique dans votre région. L'appareil doit être branché uniquement à une prise murale d'au moins 6A avec mise à la terre (utilisez un disjoncteur différentiel à courant de défaut [RCD], demandez conseil à un électricien). Pendant l'utilisation de l'appareil, la prise murale doit être bien accessible en cas d'urgence. Le fabricant ne peut en aucun cas être tenu responsable pour tout accident résultant d'une mise à la terre défectueuse ou de l'absence de mise à la terre.

Lorsque la prise murale n'est pas adaptée à la prise de votre appareil, vous devez faire remplacer la prise murale par un électricien certifié.

**CONSIGNES
SPÉCIALES
DE SÉCURITÉ**

N'utilisez pas de pièces métalliques, couteaux, fourchettes ou des objets similaires pour placer les sandwichs dans l'appareil à croque-monsieur, ou pour l'enlever. Ceci peut endommager le revêtement antiadhésif. Utilisez toujours des cuillers/ustensiles en bois ou en plastique.

Une rallonge électrique peut être utilisée avec la prudence appropriée nécessaire.

En utilisant une rallonge électrique, les valeurs nominales électriques indiquées de la rallonge doivent correspondre au moins à celles de l'appareil; si l'appareil est mis à la terre, la rallonge doit être composée de trois phases avec mise à la terre. Le cordon plus long doit être posé de manière à ce qu'il ne pende pas au-dessus de la table ou du comptoir, de sorte que les enfants ne puissent pas tirer dessus et qu'on ne puisse pas trébucher involontairement.

**AVANT D'UTILISER
VOTRE APPAREIL**

Avant la première utilisation, vérifiez que l'appareil a été nettoyé. Voir le chapitre ENTRETIEN ET SOINS.

Versez de l'huile de cuisine sur les plaques de chauffe. Laissez l'appareil chauffer pour 5 minutes en position «5» à vide et à couvercle ouvert. Tournez ensuite le sélectionneur de

température en position « I », débranchez-le et attendez que l'appareil refroidisse.

Vous pouvez sentir dans l'air une légère odeur lorsque l'appareil chauffe pour la première fois. C'est normal, lorsque les composants sont chauffés pour la toute première fois.

L'appareil ne doit pas être utilisé en position ouverte.

**COMMENT
UTILISER VOTRE
APPAREIL**

1 – Préchauffage

Avant de brancher l'appareil sur le réseau électrique, vérifiez que l'appareil est fermé et que le sélectionneur de température (2) est en position « I ».

Placez maintenant l'appareil à l'horizontale sur ses pieds (7) et branchez-le sur le secteur. La lumière rouge (4) s'allume. Tournez le sélectionneur de température en position souhaitée. Ensuite la lumière verte (3) s'allume.

Dès que la température sélectionnée pré réglée est atteinte, la lumière verte (3) s'éteint.

2 – Placer des aliments dans l'appareil à croque-monsieur

Tous les ingrédients doivent être propres à la consommation humaine!

N'utilisez pas d'aliments non cuits ou autres ingrédients qui nécessitent une préparation préalable pour les rendre propres à être consommés. L'appareil à croque-monsieur ne cuit ou ne saisit pas les aliments.

Nous vous conseillons d'avoir les ingrédients pour votre croque-monsieur prêts à être placés dans l'appareil avant ou pendant le préchauffage.

Pour 2 croque-monsieurs, vous avez besoin de 4 tranches de pain – les meilleures tailles sont des tranches moyennes à larges.

Pour donner à vos croque-monsieurs un aspect marron doré et croquant, tartinez un côté de chaque tranche avec du beurre ou de la margarine.

Avec la face beurrée vers le bas, placez une tranche de pain sur une plaque et ajoutez les ingrédients souhaités. Vérifiez que vous n'avez pas placé trop de garnitures sur la tranche, pour éviter que les ingrédients sortent du croque-monsieur

pendant la cuisson. Nous recommandons de laisser une bordure d'environ 5 mm de pain non-garnie tout autour de chaque tranche.

Placez une deuxième tranche de pain avec la face beurrée vers le haut sur la tranche garnie.

Dès que la lumière verte (3) s'éteint, placez les croque-monsieurs préparés et non grillés sur la plaque chauffante (9a). Vérifiez que les croque-monsieurs sont bien insérés dans les rectangles dessinés des plaques chauffantes.

Avvertissement: soyez prudent puisque les plaques chauffantes sont extrêmement chaudes!

Fermez maintenant doucement le couvercle (6), pressez les poignées (5) l'une contre l'autre et verrouillez l'appareil avec la fermeture (1).

Laissez l'appareil cuire les croque-monsieurs un petit moment. En fonction de votre réglage sur le sélectionneur de température, et à quel point vous les préférez, vous devez attendre plus au moins longtemps.

Lorsque les croque-monsieurs ont été dans l'appareil pendant le temps souhaité, et qu'ils correspondent à vos attentes, ouvrez la fermeture (1) et le couvercle (6). Soyez prudent lorsque vous enlevez vos croque-monsieurs. **Avvertissement:** les plaques chauffantes sont encore très chaudes!

Lorsque vos croque-monsieurs sont prêts, et que vous n'avez plus besoin de l'appareil, mettez le sélectionneur de température en position « I » et débranchez l'appareil.

Laissez refroidir l'appareil pendant suffisamment de temps, et débranchez-le toujours avant de le nettoyer ou de le ranger.

Suggestion de recette

Croque jambon et fromage

Ingrédients (pour 1 croque)
 – 2 tranches de pain
 – 1 ou 2 tranches de fromage
 – 1 ou 2 tranches de jambon cuit

Croque à l'hawaïenne

Ingrédients (pour 1 croque)
 – 2 tranches de pain
 – 1 ou 2 tranches de fromage
 – 1 ou 2 tranches de jambon cuit
 – 1 tranche ou plusieurs cubes d'ananas en boîte

ASTUCE : Soyez créatif avec les ingrédients de garniture – utilisez simplement ce que vous avez sous la main ou ce qui convient le mieux. Vous pouvez utiliser par exemple du salami à la place du jambon ou des tomates (enlevez les pépins et le jus). Essayez différentes variantes et découvrez vos favoris en tentant des aventures.

Important: Ne remplissez pas trop votre croque-monsieur, les ingrédients pourraient sortir sur les côtés de l'appareil. N'utilisez pas des garnitures liquides/coulantes puisque les liquides ne conviennent pas à l'appareil (moutarde, mayonnaise, relish etc.).

RANGEMENT DU CORDON ÉLECTRIQUE

Avant de mettre de côté votre appareil pour le ranger, enrôlez toujours le cordon électrique (8) dans le compartiment à cordon (11).

ENTRETIEN ET SOINS

Attendez toujours que l'appareil soit refroidi complètement avant de le nettoyer.

Avant de commencer le nettoyage de l'appareil, vérifiez qu'il n'est plus branché sur le secteur électrique.

Toutes les autres prestations de service doivent être effectuées par un représentant après-vente agréé.

NETTOYAGE DU BOÎTIER ET DES PLAQUES CHAUFFANTES

N'utilisez jamais de produits chimiques forts, des grattoirs, de la laine de fer ou d'éponges à récurer à laine d'acier, pour nettoyer les plaques chauffantes.

Utilisez uniquement un chiffon humide pour nettoyer le boîtier et les plaques chauffantes. Si des résidus durs restent collés sur les plaques chauffantes, mettez un peu d'huile alimentaire sur une feuille d'essuie-tout et enlevez les restes d'aliments avec ce papier.

Ne plongez jamais le boîtier, la prise et le cordon électrique dans l'eau – le gaufrier est un appareil électrique!

RANGEMENT

Le cordon électrique doit toujours être enrôlé dans le compartiment pour le cordon (11).

Vérifiez que votre appareil est posé bien droit sur son pied (7) lorsqu'il est rangé.

Important: Débranchez toujours l'appareil lorsqu'il n'est pas utilisé.

SPÉCIFICATIONS TECHNIQUES

DONNÉES TECHNIQUES

| | | |
|-------------------------------|-------------------------------------|-------------|
| Tension nominale EURO | 220–240 V~ 50/60Hz | |
| Tension nominale États-Unis | 120 V~ 60Hz | |
| Puissance nominale EURO | 700 Watt | |
| Puissance nominale États-Unis | 700 Watt | |
| Longueur câble | env. 100 cm / 39.4 in | |
| Température | Position 1 | Marche |
| | Position 1 | 120°C/248°F |
| | Position 2 | 140°C/284°F |
| | Position 3 | 160°C/320°F |
| | Position 4 | 180°C/356°F |
| Position 5 | 200°C/392°F | |
| Dimensions des plaques | L × W = 130 × 220 mm / 5.1 × 8.7 in | |
| Certifications | GS, CE, ETL, CETL | |

Garantie: BODUM® AG Suisse, garantit l'appareil à croque-monsieur BISTRO pendant une période deux ans à partir de la date d'achat pour des défauts de matériel et dysfonctionnements dont l'origine peut être remontés à des défauts de conception ou de fabrication. Les réparations seront effectuées gratuitement si toutes les conditions de garantie sont remplies. Des remboursements ne sont pas possibles.

Garant: BODUM® (Suisse) AG, Kantonsstrasse 100, Postfach 463, 6234 Triengen.

Conditions de garantie: Le certificat de garantie doit être rempli par le vendeur au moment de l'achat. Vous devez présenter le certificat de garantie pour obtenir les services de garantie. Si votre produit BODUM® nécessite un service de garantie, veuillez contacter votre revendeur BODUM®, un magasin BODUM®, le distributeur BODUM® de votre pays, ou allez sur www.bodum.com.

BODUM® ne peut pas garantir des dommages résultant d'une utilisation inappropriée, d'une manipulation incorrecte, d'une usure normale, d'un entretien inapproprié ou incorrect, d'une fausse manœuvre, ou de l'utilisation par des personnes non autorisées.

Cette garantie fabricant n'affecte pas vos droits légaux provenant des droits locaux applicables, ni vos droits contre le revendeur provenant de leur contrat de vente/d'achat.

Mise au rebut correct de ce produit



Ce sigle indique que ce produit ne doit pas être éliminé avec les autres déchets ménagers dans l'UE. Pour éviter d'éventuels impacts néfastes pour l'environnement ou la santé humaine dus à des dépôts incontrôlés de déchets, recyclez-le de manière responsable pour favoriser la réutilisation durable des matières premières. Pour retourner votre appareil usagé, veuillez utiliser des systèmes de retour et de collecte, ou contactez le revendeur où le produit a été acheté. Il peut reprendre le produit pour un recyclage respectueux de l'environnement.

DANSK

Tillykke! Du er nu den stolte ejer af et elektrisk BISTRO Sandwich Toaster fra BODUM®. Læs denne brugsanvisning omhyggeligt før du tager din Sandwich Toaster i brug for første gang.

Vigtige Sikkerhedsforanstaltninger

Læs alle vejledninger omhyggeligt før apparatet tages i brug første gang. Enhver manglende overholdelse af disse instrukser og sikkerhedsforanstaltninger kan resultere i farlige situationer.

Ved brug af elektriske apparater, skal grundlæggende sikkerhedsregler altid følges, herunder følgende:

Efter udpakning, tjek apparatet for eventuel skade. Brug ikke sandwich toasteren, hvis du er usikker på, om den er defekt; kontakt istedet din detailhandler.

Læg al indpakningsmateriale (karton, plastik, osv.) udenfor børns rækkevide (risiko for kvælning eller anden skade).

Denne sandwich toaster er kun beregnet til husholdningsbrug. Apparatet må ikke anvendes uden døre.

Stil ikke apparatet på eller ved siden af et tændt gasblus, en elektrisk kogeplade eller ind i en forvarmet ovn. Rør ikke overfladen af enheden, mens den er i drift. Overfladerne kan være meget varme under brug. Brug håndtag eller greb.

Advarsel: Når enheden er i drift, og når du åbner låget, når din sandwich er klar, kan varm damp fordampe fra enheden. Du bedes derfor omgås apparatet med stor forsigtighed på alle tidspunkter for at undgå forbrændinger.

Fabrikanten tager ikke ansvar for nogen form for skade opstået ved misligholdelse eller forkert brug af apparatet. Anvend kun apparatet til det formål, hvortil det er beregnet.

Lad ikke børn lege med apparatet.

Dette apparat må ikke anvendes af børn. Hold apparatet og dets ledning utilgængeligt for børn på et hvilket som helst tidspunkt.

Apparatet kan bruges af personer med nedsatte fysiske, sensoriske eller mentale evner eller manglende erfaring og viden, hvis de har fået supervision eller instruktion om brugen af apparatet på en sikker måde, og hvis de forstår de involverede risici.

Dette apparat er ikke beregnet til brug af små børn eller enkeltpersoner, der lider af nogen form for handicap, med mindre sådanne personer bliver overvåget af en ansvarlig person, der sørger for sikker brug af enheden.

Dette apparat kan anvendes af børn i alderen fra 8 år og opefter, og personer med densatte fysiske, sensoriske eller mentale evner eller manglende erfaring og viden, hvis de har fået supervision eller instruktion om brugen af apparatet på en sikker måde, og forstår de farer, der måtte være involveret i brugen af dette apparat. Børn må ikke lege med apparatet. Rengøring og vedligeholdelse skal ikke foretages af børn, medmindre de er ældre end 8 år og under overvågning.

Opbevar apparatet og dets ledning utilgængeligt for børn under 8 år.

Afbryd altid apparatet fra forsyningen, når det ikke er i brug eller under opsyn og under rengøring.

Lad apparatet afkøle før montering eller demontering af dele og før rengøring af apparatet.

Berør ikke apparatet med fugtige eller våde hænder. Berør heller ikke ledningen eller stikkontakten med våde hænder.

Brug ikke nogen form for ekstra tilbehør, som ikke er anbefalet af fabrikanten. Dette kan forårsage brand, elektrisk stød eller andre ulykker.

Motorenheden må aldrig nedsænkes i vand. Husk, at din sandwich toaster er et elektrisk redskab.

Rengør apparatet ved brug af en fugtig klud.

Skub temperaturvælgern til position «I».og frakobel enheden for at slukke den.

Ved udtagning af ledning fra stikkontakten, hold fast i stikket, ikke i ledningen.

Lad ikke ledningen hænge nedover bordkanter og arbejdsoverflader og undgå også at den kommer i berøring med varme overflader.

Undlad på et hvert tidspunkt at bruge et apparat med beskadiget ledning eller kontakt, eller såfremt det er defekt eller på anden måde beskadiget. Lad istedet apparatet efterse, reparere eller justere hos nærmeste autoriserede fagmand.

Undlad selv at udskifte ledningen på dit apparat, da specialværktøj er en nødvendighed. Reperationer eller udskiftning af ledning skal udføres af en detailhandler anbefalet af fabrikanten for at kunne sikre apparates sikkerhed.

Nedsdæk aldrig ledningen, motorenheden eller stikket i vand eller andre væsker, da dette kan forårsage brand, elektrisk stød eller andre ulykker.

Advarsel: for at undgå risikoen for tilsidesættelse af sikkerheds-nedlukningssystemet må apparatet ikke blive betjent ved brug af en ekstern afbryderanordning så som en timer, derudover må apparatet heller ikke være tilsluttet et elektrisk kredsløb, som jævligt bliver tændt og slukket af elværket.

Sørg for at temperaturkontrollen er skubbet til position «I» og at apparatet er frakoblet stikkontakten, inden rengøring eller deaktivering.

Lad aldrig apparatet være tændt uden opsyn.

Apparatet må ikke betjenes i åben position.

Vær yderst forsigtig, når du flytter et apparat, der indeholder varm olie eller andre varme væsker.

Lad aldrig apparatet køre uden opsyn.

KUN FOR USA and CANADA MARKEDET Hvis børn eller enkeltpersoner, som ikke er fortrolige med apparatet, ønsker at bruge det, påkræves streng observation.

LEDNING Apparatet har et polariseret stik (et blad er bredere end det andet). For at reducere risikoen for elektrisk stød, passer dette stik kun ind i stikkontakten en vej. Hvis stikket ikke passer perfekt ind i stikkontakten, vend da stikket rundt med 180°. Hvis det stadig ikke passer, kontakt en kvalificeret elektriker. Moderér ikke selv stikket på nogen vis.

Gem denne vejledning til fremtidig brug.

MONTERING

Placér altid apparatet på en stabil og vandret overflade. Denne overflade må ikke være varm eller i nærheden af varme. Overfladen skal være tør. Opbevar apparatet og ledningen udenfor børns rækkevide.

Dobbeltjek at den elektriske spænding opgivet på apparatet svarer til den lokale elektriske spænding. Apparatet må kun tilsluttes til en korrekt jordforbundet stikkontakt med en produktion på mindst 6A (hvis du bruger en rating kontrolleret stik (RCD), skal du bede din elektriker om rådgivning). Mens enheden er i brug, skal stikkontakten være inden for rækkevidde i tilfælde af en nødsituation. Producenten påtager sig intet ansvar for ulykker som følge af mangelfuld grundstødning eller fravær af jordforbindelse.

Hvis stikket, der tilhører apparatet, ikke passer ind i stikkontakten, få det skiftet af en kvalificeret elektriker.

SÆRLIGE SIKKERHEDSFORANSTALTNINGER

Brug ikke metaldele, knive, gafler eller lignende genstande til at lægge eller fjerne sandwich fra toasteren. Dette kan beskadige anti-stick belægningen. Brug altid plast- eller træskeer/køkkengrej.

En forlængerledning kan bruges sammen med denne enhed, forudsat de gældende forholdsregler er overholdt.

Hvis du planlægger at bruge en forlængerledning, sørg da for, at de elektriske indekser af forlængerledningen er mindst de samme som dem på enheden. Hvis enheden er jordet, skal forlængerledningen være trebenet og jordet. Den længere ledning skal placeres på en sådan måde, at den ikke hænger ned over kanten af et bord eller en arbejdsflade. Sørg også for, at børn ikke kan trække i den, og at den ikke forårsager snubling eller fald.

FØR BRUG AF DIN SANDWICH TOASTER

Før første brug, sørg for at rengøre apparatet. Se Kapitel VEDLIGEHOLDELSE OG PLEJE.

Fordel lidt madolie over sandwich toasterens overflader. Lad enheden varme op i position «5» i 5 minutter, mens den er tom, og låget er åbent. Dernæst drej temperaturkontrollen ned til position «1». Tag stikket ud, og vent, indtil maskinen er afkølet.

Du kan muligvis fornemme en svag lugt i luften, når apparatet varmer op første gang. Dette er en ganske normal hændelse, når komponenterne er varmet op for første gang.

Apparatet må ikke betjenes i åben position.

SÅDAN BRUGER DU DIN SANDWICH TOASTER

1- Opvarmning

Før du tilslutter enheden til stikkontakten, sørg da for, at apparatet er lukket, og at temperatur kontrollen (2) står i position «1».

Placer enheden oprejst på dets fødder (7) og tilslut den til strømforsyningen. Den røde lampe (4) vil nu lyse. Drej temperaturkontrollen til den ønskede indstilling. Den grønne lampe (3), vil nu tændes.

Så snart temperaturen har nået den indstillede temperatur, vil den grønne lampe (3) slukke.

2 – Placering af maden i sandwich toasteren

Alle anvendte ingredienser må være klar til at spise!

Brug ikke nogen form for rå kød eller andre råvarer, der kræver forudgående forberedelse, før de er sikre at spise. Sandwichtoasteren hverken bager eller svitser maden.

Vi anbefaler, at du har din sandwich-ingredient klar til placering i sandwich toasteren før eller under opvarmningsfasen.

For at lave 2 sandwich, skal du bruge 4 skiver toastbrød – den bedste størrelse er mellemstore til store skiver.

For at give dine sandwich et gylden brunt look og samtidigt lade den være let sprød, bør du komme lidt smør eller margarine på den ene side af hvert toastbrød.

Lad den smurte side vende nedad, placér et stykke toastbrød på en tallerken og kom de ønskede ingredienser på – Sørg for at du ikke kommer alt for meget fyld på brødstykket, så du undgår at ingredienserne bliver mast ud af sandwichen under toastningsprocessen. Vi anbefaler, at du har ca. 5 mm udækket kant på hver skive toastbrød.

Placér skive nummer to med smørsiden opad ovenpå den første skive med fyldet.

Så snart den grønne lampe (3) slukkes, placeres den endnu ikke-toastede sandwich på toastoverfliden (9). Sørg for at sandwichene passer ind i de der til egnede firkanter på toastoverfladerne.

Advarsel: Toastoverfladerne vil på nuværende tidspunkt være meget varme!

Luk forsigtigt låget (6), tryk håndtagene (5) sammen og lås enheden med lukkemekanismen (1).

Lad toastbrødet riste et par minutter alt afhængig af temperaturindstillingen, du har valgt og hvor sprød du ønsker din sandwich skal være.

Når sandwichen har været i toasteren den ønskede tid og møder dine forventninger, åben lukkemekanisme (1) og låg

(6). Pas godt på, når du løfter din sandwich ud.

Advarsel: Toastoverfladerne vil stadig være meget varme!

Når dine sandwiches er færdige og du ikke længere har brug for dit apparat, drej da temperaturkontrollen til position «I».og hiv stikket ud af stikkontakten.

Vent til enheden er helt afkølet og sørg altid for at hive stikket ud, før du rengør apparatet eller stiller det væk.

Opskrift forslag

Skinke og oste-sandwich

Ingredienser (til 1 sandwich)

- 2 skiver toastbrød
- 1 or 2 skiver ost
- 1 or 2 skiver hamburgerryg

Hawaiian style sandwich

Ingredienser (til 1 sandwich)

- 2 skiver toastbrød
- 1 or 2 skiver ost
- 1 or 2 skiver hamburgerryg
- 1 skiver eller flere terninger dåse annans

TIP: Vær kreativ med ingredienserne til fyld – bare brug , hvad du har eller det, som du bedst kan lide. Du kan for eksempel bruge spegepølse istedet for hamburgerryg eller tomater (frø og saft bør fjernes). Prøv forskellige muligheder og opdag din yndlingsret ved at være opfindsom.

Vigtigt: Kom ikke for meget fyld i din sandwich, da dette kan forårsage at fyldet spilder udover sandwichtoasternes sider. Brug ikke nogen form for væske/flydende fyld, da væsker ikke egner sig til at blive toasted (f.eks. sennep, mayonnaise, chutney osv.).

LEDNINGSOPBEVARING

Før du sætter dit apparat væk til opbevaring, bør du altid rulle ledningen (8) ind i ledningsopbevaringsrummet (11).

VEDLIGEHOLDELSE OG PLEJE

Vent altid til apparatet er helt afkølet, før rengøring påbegyndes.

Før du påbegynder rengøring, sørg altid for at apparatet ikke længere er tilsluttet stikkontakten.

Enhver anden form for servicering skal udføres af en autoriseret repræsentant.

**RENGØRING
AF ENHEDEN
OG SANDWICH
TOASTERENS
OVERFLADER**

Brug aldrig skrappe skrubbe rengøringsmidler, skrabere, metal dækket svampe, ståluld eller sæbe ståluld svampe til rengøring af toastoverfladerne eller selve enheden.

Brug kun en fugtig klud til at tørre enheden og toastoverflader rene med. Hvis tørre rester skulle sidde fast på toastoverfladerne, kom da lidt madolie på et stykke køkkenrulle og fjern madresterne med dette.

Nedsænk aldrig motorenheden, stik og ledning i vand. Husk, sandwichtoasteren er en elektrisk anordning

**LEDNINGSOPBE-
VARING**

Ledningen bør altid være rullet op ind i ledningsopbevaringsrummet (11).

Sørg for at dit apparat altid står på dets fødder (7) under opbevaring.

Vigtigt: Tag altid stikket ud af stikkontakten, når apparatet ikke er i brug.

TEKNISKE SPECIFIKATIONER

TECHNISCHE DATEN

| | | |
|-------------------------|---|-------------|
| Nominal spænding EUROPE | 220–240 V~ 50/60 Hz | |
| Nominal spænding USA | 120 V~ 60 Hz | |
| Nominal ydelse EUROPE | 700 Watt | |
| Nominal ydelse USA | 700 Watt | |
| Kabellængde | etwa 100 cm / 39,4 in | |
| Temperatur | Indstilling 1 | Tændt |
| | Indstilling 1 | 120°C/248°F |
| | Indstilling 2 | 140°C/284°F |
| | Indstilling 3 | 160°C/320°F |
| | Indstilling 4 | 180°C/356°F |
| | Indstilling 5 | 200°C/392°F |
| Brødrister-overflademål | Længde × bredde = 130 × 220 mm / 5,1 × 8,7 tommer | |
| Certificeringer | GS, CE, ETL, CETL | |

PRODUCENT GARANTI FOR EU & CH.

Garanti: BODUM AG, Schweiz, garanterer BISTRO Sandwich Toaster til en periode på to år fra datoen for det oprindelige køb mod defekte materialer og fejlfunktioner, der kan spores tilbage til fejl i design eller produktion. Reparationer udføres gratis, hvis fejlet opfylder alle garantibetingelser. Tilbagebetaling er ikke tilgængelig.

Garant: BODUM® (Schweiz) AG, Kantonsstrasse 100, Postfach 463, 6234 Triengen.

Garantibetingelser: Et garanticertifikat skal udfyldes af sælgeren på købstidspunktet. Du skal præsentere garantibeviset for at få garantiservice. Skulle din BODUM® produkt kræve garantiservice, skal du kontakte din BODUM® forhandler, en BODUM® butik, dit lands BODUM® forhandler, eller besøg www.bodum.com.

BODUM® vil ikke give garanti for skader som følge af uheldig brug, forkert håndtering, normalt slidage, mangelfuld eller forkert vedligeholdelse eller pleje, forkert betjening eller brug af apparatet af uautoriserede personer.

Denne producentgaranti påvirker ikke dine lovmæssige rettigheder i henhold til gældende nationale love i kraft, eller din ret mod forhandleren i forbindelse med salgs-/ købekontrakt.

Miljøvenlig bortskaffelse



Det er ulovligt at bortskaffe elektriske apparater, der er defekte eller forældede sammen med almindeligt affald. De skal bortskaffes særskilt. Forbrugere har mulighed for at efterlade sådanne anordninger på genbrugsstationer gratis. Ejere af sådanne enheder er påkrævet for at bringe dem til indsamlingssteder eller sætte dem ud, når de respektive samlinger finder sted. Ved at gøre denne mindre personlig indsats, er du sikker på, at værdifulde råvarer genanvendes og forureninger håndteres korrekt.

¡Felicitaciones! Usted es ahora un orgulloso dueño de la Tostadora Eléctrica de Sándwich Bistró de BODUM®. Lea cuidadosamente estas instrucciones antes de utilizar su artefacto por primera vez.

Advertencias de seguridad importantes

Lea toda la información cuidadosa y completamente antes de utilizar su artefacto por primera vez. Cualquier incumplimiento de estas instrucciones y advertencias puede ocasionar situaciones peligrosas.

Al utilizar artefactos eléctricos, se deben seguir precauciones básicas, que incluyen las siguientes:

Una vez haya desempaqueado el producto, controle si se observan daños visibles. No lo utilice si no está seguro de que todo se encuentra en perfectas condiciones. En caso de dudas, contacte a su proveedor.

Guarde todo el material de embalaje (caja de cartón, bolsas plásticas, etc.) en un lugar seguro no accesible a los niños (riesgo de asfixia y lesiones).

Este dispositivo está diseñado para uso en interiores únicamente. No lo utilice en exteriores.

No posicione el artefacto cerca de una hornalla prendida u horno eléctrico o cerca de un horno precalentado.

No toque las superficies del dispositivo mientras se encuentra encendido. Éstas se encontrarán extremadamente calientes mientras el artefacto esté en uso. Utilice las asas o perillas.

Advertencia: Al utilizar el artefacto y al abrir la tapa cuando el sándwich esté listo, puede despedir vapor caliente, por lo tanto

acérquese al dispositivo cuidadosamente para prevenir quemaduras.

El fabricante no asumirá ninguna responsabilidad por daños y lesiones que resulten del mal uso o del incumplimiento de éstas instrucciones. Asegúrese de utilizar el artefacto para el uso que fue diseñado.

No permita a los niños jugar con el dispositivo.

Este dispositivo no debe ser utilizado por los niños. Mantenga el artefacto y el cable de alimentación fuera de su alcance.

Este dispositivo debe ser utilizado por individuos que estén física, sensorial o mentalmente incapacitados o que carezcan de experiencia o no estén familiarizados con su uso únicamente bajo supervisión o si fueron instruidos en cuanto al uso seguro y si comprenden los riesgos asociados con el uso del artefacto.

Este artefacto no es apto para ser utilizado por niños pequeños o individuos que sufran de cualquier discapacidad a menos que sean monitoreados por una persona a cargo que asegure la utilización de forma segura del artefacto.

Este dispositivo puede ser utilizado por niños mayores a 8 años y personas con capacidades físicas, sensoriales o mentales reducidas o faltas de experiencia si son supervisados o instruidos en el uso seguro del artefacto y entienden el riesgo involucrado. Los niños no deben jugar con el artefacto. La limpieza y el mantenimiento no deben ser realizados por niños a menos que sean mayores de 8 años y bajo supervisión.

Mantenga el artefacto y el cable de alimentación fuera del alcance de los niños menores de 8 años.

Desenchufe el dispositivo siempre que no lo utilice, no lo monitoree o antes de limpiarlo.

Permita que se enfríe antes de poner o sacar partes y antes de la limpieza.

Nunca toque el artefacto eléctrico con las manos húmedas

o mojadas. Ni toque el cable desenchufe el artefacto.

No utilice accesorios o componentes que no estén recomendados por el fabricante. Tal situación puede resultar en incendio, descargas eléctricas y heridas.

Nunca sumerja el artefacto en el agua. Tenga siempre en cuenta que su Tostadora de Sándwich es un artefacto eléctrico.

Para limpiar el dispositivo, hágalo con un paño húmedo.

Ponga el control de temperatura en posición «I» y desenchufe el dispositivo para apagarlo.

Jale del enchufe, no del cable para desenchufarlo.

Asegúrese de que el cable no cuelga por sobre el borde de la mesa o superficie de trabajo y que no esté en contacto con superficies calientes.

Bajo ninguna circunstancia utilice artefactos eléctricos si sus cables o enchufes están dañados, si se ha detectado un mal funcionamiento o si el artefacto presenta cualquier tipo de daño. En estos casos, lleve su dispositivo al centro de servicios autorizado más cercano para su inspección o reparación.

No intente reemplazar el cable de alimentación usted mismo ya que se requieren herramientas especiales para este propósito. Las reparaciones o reemplazos deben realizarse exclusivamente en centros de servicios autorizados por el fabricante a fin de garantizar el correcto funcionamiento del artefacto.

Nunca sumerja el cable de alimentación, carcasa o el enchufe en agua u otros líquidos.

¡Precaución! A fin de prevenir el accionar del corte de seguridad, no conecte el dispositivo a la red eléctrica a través de un conmutador externo, como ser un temporizador o circuito de potencia, que sea regularmente prendido y apagado por su proveedor de energía eléctrica.

Asegúrese de que el control de temperatura se encuentre en posición «I» y que el artefacto esté desconectado de la red eléc-

trica antes de limpiarlo o desactivarlo.

Nunca deje el dispositivo encendido sin supervisión.

El artefacto no funcionará en posición abierto.

Nunca introduzca sándwiches en la tostadora que estén envueltos en plástico, bolsas para frízer de plástico o aluminio u otros metales. Esto puede dañar la unidad y causar incendios.

Al mover artefactos que contengan aceite caliente u otros líquidos, hágalo con extrema precaución.

PARA EEUU Y CANADA Debe supervisar el uso del artefacto por parte de niños o individuos que no estén familiarizados.

CONEXIÓN A LA RED Este dispositivo posee un enchufe polarizado (un contacto es más ancho que el otro). A fin de reducir el riesgo de una descarga eléctrica, el solo puede enchufarse a la red eléctrica encajando correctamente el enchufe al tomacorriente. Si el enchufe no encaja, gírelo 180° y pruebe nuevamente. Si aún así no encajara, contacte a un electricista certificado. No intente reemplazar el enchufe usted mismo.

**Guarde estas instrucciones
para referencias futuras**

**PUESTA EN
MARCHA**

Posicione siempre el artefacto en una superficie estable y nivelada que no esté caliente ni cerca de una fuente de calor. La superficie de trabajo debe estar seca. Mantenga el dispositivo y su cable de alimentación fuera del alcance de los niños.

Asegúrese que el voltaje nominal en la etiqueta del dispositivo concuerde con el voltaje de la red eléctrica de su región. Enchufe el artefacto únicamente en un tomacorriente con descarga a tierra y una salida de corriente de al menos 6A (si utiliza un disyuntor de seguridad (RCD), consulte con

un electricista). Durante el funcionamiento del artefacto, el enchufe debe estar accesible en caso de una emergencia. El fabricante no asumirá ninguna responsabilidad por accidentes que resulten de un cableado a Tierra deficiente o no existente.

Si el tomacorriente no es compatible con el enchufe de su dispositivo, haga reemplazar el tomacorriente por un electricista certificado.

**INFORMACIÓN
ESPECIAL
DE SEGURIDAD**

No utilice objetos con partes metálicas, cuchillos, tenedores o similares para introducir los sándwiches en la tostadora o sacarlos. Estos pueden dañar la superficie antiadherente. Utilice siempre utensilios de plástico o madera.

Puede utilizarse un cable alargador siempre y cuando se tomen las precauciones necesarias.

Si está planeando utilizar un cable alargador, asegúrese de que las especificaciones eléctricas del alargador sean, al menos, iguales a las de su dispositivo. Si el dispositivo posee cable a tierra, el cable alargador debe ser de tres pines y con cable a tierra. El cable alargador debe posicionarse de tal manera que no cuelgue sobre el borde de la mesa o superficie de trabajo. Asegúrese también que los niños no puedan tirar de él y que no exista el riesgo de una desconexión por un tropiezo involuntario.

**ANTES DE
UTILIZAR SU
TOSTADORA
DE SÁNDWICH**

Antes del primer uso, asegúrese de limpiar su artefacto. Lea el capítulo MANTENIMIENTO Y CUIDADO.

Distribuya aceite para cocina sobre las superficies tostadoras. Caliente el artefacto en la posición «5» por 5 minutos mientras está vacío y con la tapa abierta. Luego, posicione el control de temperatura en «I», desenchúfelo y espere hasta que se enfríe.

Sentirá un suave olor en el aire mientras el artefacto se calienta por primera vez. Es normal que ello ocurra cuando los componentes son calentados por primera vez.

El artefacto no está diseñado para ser operado en posición abierta.

COMO USAR LA TOSTADORA DE SÁNDWICH

1 – Precalentado

Antes de conectar el artefacto a la red eléctrica, asegúrese de que se encuentra cerrado y que el control de temperatura (2) esté en la posición «I».

Coloque el dispositivo en posición vertical sobre su pie (7) y conéctelo a la red eléctrica. La luz roja (4) se iluminará. Posicione el control de temperatura en la posición deseada. La luz verde (3) se encenderá.

Tan pronto como el artefacto alcance la temperatura seleccionada, la luz verde (3) se apagará.

2 – Introduciendo comida en la tostadora

¡Todos los ingredientes deben estar listos para consumir!

No utilice carne o cualquier otro ingrediente crudo que requiera preparación previa para ser aptos para el consumo. La tostadora de sándwich no cuece la comida.

Recomendamos tener los ingredientes listos para introducirlos en la tostadora antes o durante la fase de precalentado.

Para hacer 2 sándwiches, necesitara 4 rebanadas de pan – el mejor tamaño es rebanadas medias o grandes.

Para dar a sus sándwiches una apariencia dorada y crujiente, úntelos con manteca o margarina en uno de los lados de cada rebanada.

Con la cara con manteca hacia abajo, ponga una rebanada de manteca en un plato y añada los ingredientes deseados. Asegúrese de no poner una cantidad excesiva para prevenir que los ingredientes sean exprimidos durante el proceso de tostado. Le recomendamos dejar un espacio de 5mm sin ingredientes desde el borde en cada sector.

Ponga una segunda rebanada de pan con la cara con manteca hacia arriba sobre la que tiene los ingredientes.

Tan pronto como la luz verde (3) se apague, introduzca los sándwiches sin tostar sobre la superficie tostadora (9a). Asegúrese de que los sándwiches encajen dentro de los rectángulos designados en la superficie tostadora.

Advertencia: ¡las superficies tostadoras estarán extremadamente calientes en este punto!

Cierre con cautela la tapa (6), junte las asas (5) y trabe el artefacto con el cierre (1).

Permita que el pan se tueste por algunos minutos dependiendo de la temperatura seleccionada y cuan crocante desea sus sándwiches.

Una vez que el sándwich haya estado en la tostadora por el tiempo deseado, abra el cierre (1) y la tapa (6). Tenga cuidado al sacar su sándwich. **Advertencia:** ¡las superficies tostadoras se encuentran calientes!

Una vez preparado sus sándwiches y no necesite más el artefacto, posicione el control de temperatura a «I» y desenchufe el dispositivo.

Espere a que el artefacto se haya enfriado completamente y desenchufe siempre el artefacto antes de limpiarlo y guardarlo.

Sugerencias de Recetas

Sándwich de jamón y queso

Ingredientes

(para 1 sándwich)

- 2 rebanadas de pan
- 1 o 2 rebanadas de queso
- 1 o 2 rebanadas de jamón cocido

Sándwich hawaiano

Ingredientes

(para 1 sándwich)

- 2 rebanadas de pan
- 1 o 2 rebanadas de queso
- 1 o 2 rebanadas de jamón cocido
- 1 rebanadas o varios cubos de ananá

CONSEJO: Sea creativo con los ingredientes para el relleno – simplemente utilice lo que tenga a mano o lo que más le guste. Puede utilizar por ejemplo salame en vez de jamón o tomates (remueva las semillas y el jugo). Pruebe diferentes opciones y descubra sus favoritos, sea aventurero.

Importante: No rellene demás sus sándwiches, ya que puede causar que los ingredientes se derramen por los bordes de la Tostadora de Sándwich. No utilice líquidos ni aderezos de ningún tipo, ya que los mismos no son aptos para tostarse (por ejemplo, mostaza, mayonesa, condimentos, etc.).

GUARDADO DEL CABLE

Antes de guardar su artefacto, siempre enrolle el cable (8) dentro del compartimiento para cable (11).

**MANTENIMIENTO
Y CUIDADO**

Siempre espere a que el dispositivo se haya enfriado completamente antes de limpiarlo.

Antes de empezar a limpiar el artefacto, asegúrese que no esté conectado a la red eléctrica.

Cualquier otro tipo de mantenimiento debe ser realizado por un centro de servicio autorizado.

**LIMPIEZA DE
LA CARCAZA Y
LAS SUPERFICIES
TOSTADORAS**

No utilice nunca limpiadores abrasivos, raspadores, esponjas con coberturas metálicas o lana de acero para limpiar las superficies tostadoras o la carcasa del artefacto.

Utilice únicamente un paño húmedo para limpiar la carcasa y las superficies tostadoras. Si aún así quedaran residuos adheridos a las superficies tostadoras, vierta un poco de aceite para cocina en un paño y remueva la comida con él.

Nunca sumerja la carcasa, el enchufe ni el cable en agua – ¡la Tostadora de Sándwich es un artefacto eléctrico!

GUARDADO

El cable siempre debe estar enrollado dentro del compartimiento para cable (11).

Asegúrese de que su dispositivo esté en posición vertical sobre su pie (7) mientras es almacenado.

Importante: Desenchufe el artefacto siempre que no esté en uso.

ESPECIFICACIONES TÉCNICAS

DATOS TÉCNICOS

| | | |
|--|---|-------------|
| Tensión nominal EUROPE | 220–240 V~ 50/60Hz | |
| Tensión nominal EE.UU | 120 V~ 60Hz | |
| Potencia nominal EUROPE | 700Watt | |
| Potencia nominal EE.UU | 700Watt | |
| Largo del cable | aprox. 100 cm / 39.4 in | |
| Temperatura | Posición 1 | Encendido |
| | Posición 1 | 120°C/248°F |
| | Posición 2 | 140°C/284°F |
| | Posición 3 | 160°C/320°F |
| | Posición 4 | 180°C/356°F |
| | Posición 5 | 200°C/392°F |
| Dimensiones de la superficie tostadora | L x A = 130 x 220 mm / 5.1 x 8.7 pulgadas | |
| Certificaciones | GS, CE, ETL, CETL | |

CERTIFICADO DE GARANTÍA EU, USA & CAN.

Garantía: BODUM® AG, Suiza, asume una garantía de dos años a partir de la fecha de compra para BISTRO Tostadora De Sándwich. Dicha garantía cubre aquellas faltas en el artefacto que estén basadas en errores de material y/o fabricación y que se pueda comprobar. Siempre y cuando las condiciones de garantía se cumplan, Bodum asume la eliminación de la falla sin costo alguno. No es posible la restitución del dinero de la compra.

Garante: BODUM® (Suiza) AG, Kantonsstrasse 100, código postal 463, 6234 Triengen.

Condiciones de garantía: el certificado de garantía (estas instrucciones de uso) debe ser completado por el vendedor al momento de la venta. Al momento de hacer uso de la garantía se debe presentar este certificado. Para ello por favor póngase en contacto con su comerciante BODUM®, un centro BODUM® o con el representante responsable en su país o contáctenos vía www.bodum.com.

Esta garantía no rige si los defectos del artefacto se deben a causa de un manejo indebido, al desgaste usual, a un mal cuidado y/o a la inobservancia de estas instrucciones de funcionamiento.

Además de los derechos de garantía Ud. goza de los derechos legales. En especial no se limitan los derechos legales del consumidor que le corresponden con respecto a su parte contractual.

Desecho ecológico



Los electrodomésticos viejos ya no pueden ser desechados con el resto de la basura, sino que se deben desechar por separado. La entrega en centros de recolección comunal por parte de personas privadas no tiene costo alguno. Los propietarios de electrodomésticos viejos están obligados a entregarlos en dichos centros de recolección o algún sitio similar. Con esta pequeña contribución personal está colaborando para que se puedan reciclar valiosos materiales y para que los materiales dañinos puedan tratarse como corresponde.

ITALIANO

Congratulazioni! Siete ora orgogliosi proprietari di un Tostapane per sandwich BISTRO elettrico della BODUM®. Si prega di leggere attentamente queste istruzioni prima di usare il dispositivo per la prima volta.

Tostapane Per Sandwich

Importanti avvertenze sulla sicurezza

Si prega di leggere attentamente e per intero tutte le informazioni prima di usare il dispositivo per la prima volta. Qualunque inosservanza delle istruzioni e delle avvertenze può determinare situazioni di pericolo.

Quando si usano apparecchi elettrici, dovrebbero sempre essere osservate precauzioni di sicurezza di base, incluse le seguenti:

Una volta tolto dalla confezione il dispositivo, controllare la presenza di eventuali danni visibili. Non usarlo se non si è certi che tutto sia in perfette condizioni. In caso di dubbi, vi preghiamo di contattare il vostro rivenditore.

Si prega di conservare tutto il materiale d'imballaggio (scatola di cartone, buste di plastica, ecc.) in un luogo sicuro inaccessibile ai bambini (pericolo di soffocamento e di lesioni).

Questo dispositivo è progettato solo per uso interno domestico. Non usarlo all'aperto.

Non posizionare il dispositivo sopra o vicino a fornelli a gas o elettrici accesi o in un forno preriscaldato.

Non toccare le superfici dell'apparecchio quando è in funzione. Queste saranno estremamente calde mentre il dispositivo è in uso. Usare manici o manopole.

Avvertenza: Mentre il dispositivo è in funzione e quando si apre la copertura una volta che il sandwich è pronto, del vapore

caldo può evaporare dall'unità, quindi si prega di avvicinarsi al dispositivo sempre con cautela per prevenire ustioni.

Il produttore non si assumerà alcuna responsabilità per danni o lesioni causate dall'apparecchio derivanti da un uso improprio o da qualsiasi utilizzo che non sia conforme a queste istruzioni. Assicurarsi di usare il dispositivo solo per gli scopi previsti.

Non permettere ai bambini di giocare col dispositivo.

Questo dispositivo non deve essere usato dai bambini. Tenere l'apparecchio e i suoi cavi sempre fuori dalla portata dei bambini.

Questo dispositivo può essere usato da individui che abbiano handicap fisici, sensoriali o mentali o scarsa esperienza o che non abbiano familiarità con l'uso del prodotto solo se sono sotto la supervisione o se sono state istruite riguardo l'utilizzo sicuro del dispositivo e abbiano compreso i rischi legati all'apparecchio.

Questo apparecchio non è adatto per l'uso da parte di bambini piccoli o individui che soffrano di handicap di qualunque tipo a meno che tali individui non vengano controllati da un responsabile che garantisca l'uso sicuro del dispositivo.

Questo apparecchio può essere usato da bambini a partire dagli 8 anni in su e da persone con ridotte capacità fisiche, sensoriali o mentali o scarsa esperienza e conoscenza se sono supervisionate o istruite riguardo l'uso del dispositivo in un modo sicuro e comprendano rischi del caso. I bambini non dovrebbero giocare col dispositivo. La pulizia e la manutenzione dell'utente non dovrebbe essere fatta da bambini a meno che non abbiano più di 8 anni e siano supervisionati.

Tenere l'apparecchio e il suo cavo fuori dalla portata dei bambini di età inferiore a 8 anni.

Scollegare il dispositivo dalla rete elettrica quando non è in uso, non viene controllato o prima della pulizia.

Fare raffreddare prima di inserire o rimuovere pezzi, e prima di pulire l'apparecchio.

Non toccare mai questo apparecchio elettrico con le mani umide o bagnate. Non toccare il cavo o la spina dell'apparecchio mentre le mani sono umide o bagnate.

Non usare alcun accessorio o componente con l'apparecchio che non sia stato raccomandato dal produttore del dispositivo. L'uso di tali accessori può causare incendi, scosse elettriche e lesioni.

Non immergere mai l'apparecchio nell'acqua. Si prega di tenere a mente che il tostapane per sandwich è un dispositivo elettrico.

Per pulire l'apparecchio, strofinare semplicemente con un panno umido.

Impostare il regolatore della temperatura su «I» e scollegare il dispositivo dalla rete elettrica per spegnere l'apparecchio.

Tirare la spina, non il cavo per scollegare il dispositivo.

Assicurarsi che il cavo non penda oltre il bordo del tavolo o della superficie di lavoro e non permettere che venga a contatto con superfici calde.

Non usare dispositivi elettrici in nessuna circostanza se i loro cavi o spine sono danneggiati o dopo che sia stato rilevato un malfunzionamento o se l'apparecchio è stato danneggiato in qualsiasi altro modo. In questo caso si prega di portare l'apparecchio al più vicino centro assistenza autorizzato dal produttore per controllo, riparazione o appropriata regolazione.

Non tentate di sostituire il cavo di alimentazione di questo apparecchio da soli, poiché sono necessari speciali strumenti per eseguire questo tipo di lavoro. La riparazione o la sostituzione devono essere eseguite esclusivamente da un centro assistenza autorizzato dal produttore in modo da garantire il sicuro funzionamento del dispositivo.

Non immergere mai il cavo di alimentazione, l'alloggiamento e la spina in acqua o altri liquidi dato che questo potrebbe causare incendi, scosse elettriche e lesioni.

Attenzione! Al fine di prevenire il rischio della reazione del cut-off di sicurezza, il dispositivo non deve essere collegato all'alimentazione attraverso un dispositivo di commutazione esterno, come un timer o collegato a un circuito di alimentazione che viene regolarmente acceso e spento dal gestore della rete elettrica.

Assicurarsi che il regolatore della temperatura sia impostato su «I» e che l'apparecchio sia stato scollegato dalla rete elettrica prima di cercare di pulirlo o disattivarlo.

Non lasciare mai l'apparecchio acceso quando non è sotto controllo.

L'apparecchio non deve essere utilizzato quando è aperto.

Non mettere mai nel tostapane sandwich avvolti in fogli di plastica, sacchetti per freezer o per sandwich fatti di plastica o alluminio o altri fogli di metallo. Così facendo si può danneggiare l'unità e causare incendi.

Usare estrema cautela quando si sposta un dispositivo contenente olio bollente o altri liquidi caldi.

SOLO PER MERCATO USA E CANADA Se bambini o individui che non hanno familiarità con il dispositivo dovessero usarlo, è obbligatoria una stretta sorveglianza.

SPINA DI ALIMENTAZIONE Questo apparecchio ha una spina polarizzata (uno dei contatti è più largo dell'altro). Al fine di ridurre il rischio di scosse elettriche, la spina può essere collegata alla corrente elettrica solo inserendola correttamente nella presa. Se la spina non si adatta alla vostra presa, girarla di 180° e riprovare. Se non dovesse andare ancora bene, contattare un elettricista certificato. Non tentate di sostituire la spina da soli.

Conservare queste istruzioni per riferimenti futuri.

REGOLAZIONE DELL'APPARECCHIO

Posizionare sempre il dispositivo su una superficie stabile e piana che non sia né calda né in alcun modo vicina a una fonte di calore. La superficie di regolazione deve essere asciutta. Tenere il dispositivo e il suo cavo di alimentazione fuori dalla portata dei bambini.

Controllare due volte per assicurarsi che la potenza di voltaggio sull'etichetta di identificazione del dispositivo sia congruente al voltaggio della rete elettrica della vostra specifica regione. Collegare il dispositivo solo a una presa con adeguata messa a terra con una potenza in uscita di almeno 6A (se state usando un dispositivo protezione contro i guasti (RCD), si prega di consultare un elettricista). Mentre il dispositivo è in funzione, la spina deve essere facilmente accessibile in caso di emergenza. Il produttore non si assumerà alcuna responsabilità in caso di incidenti derivanti da messa a terra insufficiente o inesistente.

Se la presa non dovesse essere compatibile con la spina del vostro apparecchio, si prega di far sostituire la presa da un elettricista certificato.

INFORMAZIONI SPECIALI PER LA SICUREZZA

Non usare pezzi di metallo, coltelli, forchette od oggetti simili per mettere i sandwich nel tostapane o toglierli. Questo potrebbe danneggiare il rivestimento antiaderente. Usare sempre cucchiai/strumenti di plastica o legno.

Una prolunga può essere usata con questo apparecchio a condizione che vengano prese le adeguate precauzioni.

Se avete intenzione di usare una prolunga, assicuratevi che gli indici elettrici della prolunga siano almeno gli stessi di quelli del dispositivo. Se l'apparecchio è provvisto di messa a terra, la prolunga deve essere tripolare e con messa a terra. Il cavo più lungo deve essere posizionato in modo tale che non penda oltre il bordo del tavolo o della superficie di lavoro. Assicurarsi inoltre che i bambini non possano

tirlo e che non sia d'intralcio o crei pericolo di inciampare inavvertitamente.

IT

PRIMA DI USARE IL TOSTAPANE PER SANDWICH

Prima del primo utilizzo, assicurarsi di pulire il dispositivo. Vedi capitolo CURA E MANUTENZIONE .

Distribuire un po' di olio da cucina sulla superficie di tostatura. Fare riscaldare l'apparecchio regolato su «5» per 5 minuti mentre è vuoto e la copertura è aperta. Quindi, impostare il regolatore della temperatura su «1», scollegarlo e aspettare finché il dispositivo non si sia raffreddato.

È possibile avvertire un leggero odore nell'aria quando il dispositivo si riscalda per la prima volta. Si tratta di una circostanza normale quando i componenti si riscaldano per la prima volta.

L'apparecchio non dev'essere azionato quando è aperto.

COME USARE IL TOSTAPANE PER SANDWICH

1 – Preriscaldamento

Prima di collegare il dispositivo alla rete elettrica, accertatevi che sia chiuso e che il regolatore della temperatura (2) sia in posizione «1».

Posizionare adesso l'apparecchio dritto sui suoi piedi (7) e collegarlo alla rete elettrica. La luce rossa (4) s'illuminerà. Impostare il regolatore della temperatura come desiderato. Quindi la luce verde (3) si accenderà.

Non appena il termostato raggiunge la temperatura preimpostata, la luce verde (3) si spegne.

2 – Mettere il cibo nel tostapane

Tutti gli ingredienti usati devono essere pronti da mangiare!

Non usare carne non cucinata o altri ingredienti crudi che richiedono preventiva preparazione per poter essere mangiati. Il tostapane non cucina o scotta il cibo.

Raccomandiamo che gli ingredienti del sandwich siano pronti per essere messi nel tostapane prima o durante la fase di riscaldamento.

Per fare 2 sandwich, avrete bisogno di 4 fette di toast, le dimensioni migliori sono da medie a grandi.

Per dare ai sandwich una colorazione marrone-oro e croccantezza, spalmare burro o margarina su un lato di ogni fetta.

Istruzioni Per L'uso

Con il lato imburrito a faccia in giù, mettere una fetta di pane su una piastra e aggiungere gli ingredienti desiderati. Assicurarsi di non mettere una quantità eccessiva di condimento sulla fetta per evitare che gli ingredienti vengano spremuti fuori dal sandwich durante il processo di tostatura. Raccomandiamo di lasciare una cornice di circa 5 mm di pane scoperto intorno ai bordi di ogni fetta.

Mettere una seconda fetta di pane con l'estremità imburrito a faccia in su sulla fetta che ha il condimento sopra.

Non appena la luce verde (3) si spegne, mettere i sandwich preparati non tostatati sulla superficie di tostatura (9a). Assicurarsi che i sandwich siano inseriti negli appositi rettangoli delle superfici di tostatura. **Avvertenza:** le superfici di tostatura saranno estremamente calde a questo punto!

Adesso chiudere con cautela la copertura (6), premere insieme i manici (5) e chiudere l'apparecchio con la chiusura (1).

Far tostare il pane per qualche minuto in base alla temperatura che avete scelto e a quanto volete che il vostro sandwich sia croccante.

Una volta che il sandwich è stato nel tostapane per il tempo desiderato e soddisfa le vostre aspettative, aprire la chiusura (1) e la copertura (6). Prestare attenzione quando si toglie il sandwich. **Avvertenza:** le superfici di tostatura sono ancora molto calde!

Una volta che i vostri sandwich sono stati preparati e non avete più bisogno dell'apparecchio, impostare il regolatore della temperatura su «I» e scollegare il dispositivo.

Aspettare finché l'apparecchio non si è raffreddato completamente e scollegarlo sempre prima di pulirlo e conservarlo.

Proposte di ricette

Sandwich con prosciutto e formaggio

Ingredienti (per 1 sandwich)
 - 2 fette di toast
 - 1 o 2 fette di formaggio
 - 1 o 2 fette di prosciutto cotto

Sandwich in stile hawaiano

Ingredienti (per 1 sandwich)
 - 2 fette di toast
 - 1 o 2 fette di formaggio
 - 1 o 2 fette di prosciutto cotto
 - 1 fetta o diversi cubetti di ananas in scatola

CONSIGLIO: Siate creativi con gli ingredienti per il ripieno, usate semplicemente quello che avete a portata di mano o che più vi piace. Potete usare per esempio il salame al posto del prosciutto o pomodori (rimuovendo semi e succo). Provate differenti opzioni e scoprite quali preferite sperimentando.

Importante: Non riempite troppo i vostri sandwich, poiché questo può causare la fuoriuscita degli ingredienti dai lati del tostapane. Non usare ripieni liquidi/acquosi di qualunque tipo, poiché i liquidi non sono adatti per la tostatura (cioè mostarda, maionese, salsa, ecc.).

CONSERVAZIONE DEL CAVO

Prima di mettere via l'apparecchio per conservarlo, arrotolare sempre il cavo (8) all'interno dello scompartimento portacavo (11).

CURA E MANUTENZIONE

Aspettare sempre finché l'apparecchio non si è raffreddato completamente prima di pulirlo.

Prima di cominciare a pulire l'apparecchio, assicurarsi che non sia più collegato alla rete elettrica.

Qualunque altro tipo di manutenzione dovrebbe essere eseguito da un centro assistenza autorizzato.

PULIZIA DELL'ALLOGGIAMENTO E DELLE SUPERFICI DI TOSTATURA

Non usare mai detergenti aggressivi, raschietti, spugne ricoperte di metallo, lana d'acciaio o spugne in lana d'acciaio per pulire le superfici di tostatura o l'alloggiamento dell'apparecchio.

Usare solo un panno umido per pulire l'alloggiamento e le superfici di tostatura. Se dovessero rimanere attaccati alle superfici di tostatura dei residui duri, mettere un po' di olio di tipo alimentare su un fazzoletto di carta e rimuovere il cibo.

Non immergere mai l'alloggiamento, la spina o il cavo in acqua: il tostapane per sandwich è un dispositivo elettrico!

CONSERVAZIONE

Il cavo dovrebbe sempre essere arrotolato all'interno dello scompartimento del cavo (11).

Assicurarsi che l'apparecchio sia dritto sui suoi piedi (7) quando viene conservato.

Importante: Scollegare sempre il dispositivo quando non è in uso.

SPECIFICHE TECNICHE

DATI TECNICI

| | | |
|---|--|-------------|
| Tensione nominale EUROPA | 220-240 V~ 50/60 Hz | |
| Tensione nominale USA | 120 V~ 60 Hz | |
| Potenza nominale EUROPA | 700 Watt | |
| Potenza nominale USA | 700 Watt | |
| Lunghezza cavo | appross. 100 cm / 39,4 in | |
| Temperatura | Posizione 1 | Accensione |
| | Posizione 1 | 120°C/248°F |
| | Posizione 2 | 140°C/284°F |
| | Posizione 3 | 160°C/320°F |
| | Posizione 4 | 180°C/356°F |
| | Posizione 5 | 200°C/392°F |
| Dimensioni della superficie del tostapane | lungh. x largh. = 130 x 220 mm / 5.1" x 8.7" | |
| Certificazioni | GS, CE, ETL, CETL | |

GARANZIA DEL PRODUTTORE PER EU & CH.

Garanzia: BODUM® AG, Svizzera, garantisce il BISTRO Tostapane Per Sandwich per un periodo di due anni dalla data d'acquisto originale contro materiali difettosi e malfunzionamenti che possono essere fatti risalire a difetti di progettazione o fabbricazione. Le riparazioni vengono eseguite gratuitamente se tutte le condizioni di garanzia vengono rispettate. Non sono disponibili rimborsi.

Garante: BODUM® (Svizzera) AG, Kantonsstrasse 100, código postal 463, 6234 Triengen.

Condizioni di garanzia: Il certificato di garanzia deve essere completato dal venditore al momento dell'acquisto. Bisogna presentare il certificato di garanzia per ottenere l'assistenza. Se il vostro prodotto BODUM® dovesse necessitare di assistenza in garanzia, si prega di contattare il proprio rivenditore BODUM®, un negozio BODUM®, il distributore BODUM® del proprio paese, o visitare www.bodum.com.

BODUM® non fornirà garanzia per danni derivanti da uso inappropriato, utilizzo improprio, normali danni da usura, manutenzione e cura inadeguate o scorrette, funzionamento o uso non corretto del dispositivo da parte di persone non autorizzate.

Questa garanzia del produttore non pregiudica i diritti legali previsti dalle leggi nazionali vigenti, né il vostro diritto nei confronti del rivenditore derivante dal relativo contratto di vendita/acquisto.

Smaltimento nel rispetto dell'ambiente

È attualmente illegale lo smaltimento di dispositivi elettrici difettosi o obsoleti insieme ai rifiuti ordinari. Tali dispositivi devono essere smaltiti separatamente. I consumatori hanno la possibilità di depositarli presso i centri di raccolta del comune gratuitamente. I proprietari di tali dispositivi sono tenuti a portarli presso i siti di raccolta o metterli fuori quando hanno luogo le relative raccolte. Con questo piccolo sforzo personale, darete il vostro contributo per assicurare che beni preziosi vengano riciclati e i contaminanti vengano gestiti in modo appropriato.

Gefeliciteerd! U bent nu de trotse eigenaar van een **BODUM®** elektrische **BISTRO** tosti-ijzer. Lees deze instructies zorgvuldig door voordat u uw apparaat voor de eerste keer gebruikt.

Belangrijke veiligheidswaarschuwingen

Lees alle informatie zorgvuldig en volledig door voordat u uw apparaat voor de eerste keer gebruikt. Het u niet houden aan de instructies en veiligheidswaarschuwingen kan leiden tot gevaarlijke situaties.

Bij het gebruik van elektrische apparaten dienen elementaire veiligheidsvoorzieningen altijd te worden opgevolgd, waaronder het volgende:

Controleer na het uitpakken van het apparaat of er zichtbare beschadigingen zijn. Gebruik het niet als u er niet zeker van bent of alles in perfecte staat is. Neem in geval van twijfel contact op met uw verkooppunt.

Houd alle verpakkingsmaterialen (karton, plastic zakken, enz.) op een veilige plaats buiten het bereik van kinderen (gevaar voor verstikking of letsel).

Dit apparaat is alleen bedoeld voor huishoudelijk gebruik. Gebruik het niet buiten.

Plaats het apparaat niet op of bij een brandend gas of elektrisch fornuis of in een voorverwarmde oven.

Raak de oppervlakken van het apparaat niet aan wanneer deze in gebruik is. Deze oppervlakken worden uitzonderlijk heet als het apparaat in gebruik is. Gebruik handgrepen of knoppen.

Waarschuwing: Terwijl het apparaat aan staat en wanneer het

deksel geopend wordt zodra uw tosti klaar is, kan er hete stoom van het apparaat verdampen, benader daarom het apparaat voorzichtig om verbrandingen te voorkomen.

De fabrikant is niet aansprakelijk voor schade en verwondingen veroorzaakt door het onjuiste gebruik van het apparaat of het niet gebruiken in overeenstemming met deze instructies. Gebruik het apparaat alleen voor het beoogde doel.

Sta niet toe dat kinderen met het apparaat spelen.

Dit apparaat mag niet gebruikt worden door kinderen. Houd het apparaat en de snoeren altijd buiten het bereik van kinderen.

Dit apparaat mag niet gebruikt worden door mensen die lichamelijk, zintuiglijk of geestelijk gehandicapt zijn of die geen ervaring hebben of niet bekend zijn met het gebruik van het product tenzij ze onder toezicht staan of als zij instructies hebben gekregen met betrekking tot het veilig gebruik van het apparaat en als ze de bijbehorende gevaren van het apparaat begrijpen.

Dit apparaat is niet geschikt voor gebruik door kleine kinderen of personen die een handicap hebben van welke aard dan ook, tenzij deze personen worden bijgestaan door een verantwoordelijk persoon die zorgt voor het veilige gebruik van het apparaat.

Dit apparaat kan worden gebruikt door kinderen vanaf 8 jaar en personen met verminderde lichamelijke, zintuiglijk of geestelijke vermogens of gebrek aan ervaring en kennis als ze onder toezicht staan of worden geïnstrueerd over het gebruik van het apparaat op een veilige manier en als ze de van toepassing zijnde gevaren begrijpen. Kinderen mogen niet met het apparaat spelen. Schoonmaken en gebruiksonderhoud mogen niet worden gedaan door kinderen tenzij ze ouder zijn dan 8 jaar en onder toezicht staan.

Houd het apparaat en het snoer buiten het bereik van kinderen jonger dan 8 jaar.

Haal de stekker van het apparaat uit het stopcontact,

wanneer het niet in gebruik is, gecontroleerd wordt of voor het schoonmaken.

Laat het afkoelen voordat u er onderdelen op zet of afhaalt, en voor het schoonmaken van het apparaat.

Raak dit elektrische apparaat nooit aan met vochtige of natte handen. Raak het snoer of de stekker van het apparaat nooit aan met vochtige of natte handen.

Gebruik geen hulpstukken of onderdelen die niet zijn aanbevolen door de fabrikant van het apparaat. Het gebruik van dergelijke accessoires kan leiden tot brand, elektrische schokken en verwondingen.

Dompel het apparaat nooit onder in water. Houd er rekening mee dat het tosti-ijzer een elektrisch apparaat is.

Om het apparaat schoon te maken neemt u het eenvoudig af met een vochtige doek.

Draai de temperatuurregelaar op de stand «I» en haal de stekker van het apparaat uit het stopcontact om het apparaat uit te schakelen.

Trek aan de stekker en niet aan het snoer om het apparaat los te koppelen.

Laat het snoer niet hangen over de rand van de tabel of het aanrechtblad en laat het niet in aanraking komen met warme oppervlakken.

Gebruik nooit elektrische apparaten als hun snoeren of stekkers zijn beschadigd of als er ontdekt wordt dat het niet goed werkt of als het apparaat is beschadigd. Breng in dat geval het apparaat terug naar het dichtstbijzijnde bevoegde servicepunt voor onderzoek, reparatie of juiste afstelling.

Probeer nooit om zelf het netsnoer los te maken van het apparaat, omdat hier speciaal gereedschap voor nodig is. Laat de reparatie of uit te voeren vervangen uitsluitend doen door een goedgekeurd servicecentrum door de fabrikant zodat een veilige

werking van het apparaat gegarandeerd wordt.

Dompel het snoer, de behuizing en de stekker nooit onder in water of andere vloeistoffen, aangezien dit kan leiden tot brand, elektrische schokken en verwondingen.

Let op! Om het risico van de reactie van de veiligheidsbegrenzer te voorkomen, mag het apparaat niet worden aangesloten op de stroom via een externe schakelinrichting, zoals een timer of aangesloten op een stroomkring, dat regelmatig in- en uitgeschakeld wordt door de beheerder van het elektriciteitsnetwerk.

Zorg ervoor dat de temperatuurregelaar is ingesteld op «I» en dat het apparaat is losgekoppeld van de voeding voordat u het gaat schoonmaken of deactiveren.

Laat het apparaat nooit onbeheerd aanstaan.

Het apparaat mag niet worden bediend in de geopende stand.

Plaats nooit tosti's in het tosti-ijzer die zijn verpakt in plastic folie, plastic of aluminium diepvries- of boterhamzakjes of andere metalen folie. Hierdoor kan het apparaat beschadigen en brand veroorzaken.

Wees uiterst voorzichtig met het verplaatsen van het apparaat als het hete olie of andere hete vloeistoffen bevat.

VOOR DE VS EN CANADA UITSLUITEND VOOR DE MARKT

Als kinderen of personen die niet vertrouwd zijn met apparaat dit moeten gebruiken, is strikt toezicht verplicht.

STEKKER Dit apparaat heeft een gepolariseerde stekker (een van de contactpennen is breder dan de andere). Om het risico van elektrische schokken te voorkomen, kan de stekker alleen verbonden worden met de voeding door het stekker juist in het stopcontact te steken. Als de stekker niet in uw stopcontact past, moet u het 180° draaien en opnieuw proberen. Als het nog steeds niet past, moet u contact opnemen met een erkend elektricien. Probeer niet om de stekker zelf te vervangen.

Bewaar deze gebruiksaanwijzing voor toekomstig gebruik

PLAATSING VAN HET APPARAAT

Plaats het apparaat altijd op een stabiele, vlakke ondergrond die niet warm is noch zich in de buurt van een warmtebron bevindt. De plaatsingsondergrond moet droog zijn. Houd het apparaat en zijn snoer buiten het bereik van kinderen.

Controleer dubbel of de spanning op het identificatielabel van het apparaat congruent is met de netspanning van uw specifieke regio. Sluit het apparaat alleen aan op het juist gearde stopcontact met een uitgangsvermogen van ten minste 6A (als u gebruikt maakt van een stroomonderbreker, vraag dan een elektricien om advies). Wanneer het apparaat in gebruik is, moet het stopcontact gemakkelijk toegankelijk zijn bij een noodsituatie. De fabrikant aanvaardt geen aansprakelijkheid voor ongevallen als gevolg van gebrek of niet-bestaande aarding.

Indien het stopcontact niet verenigbaar is met de stekker van uw apparaat moet het stopcontact vervangen worden door een erkend elektricien.

SPECIALE VEILIGHEIDSFORMATIE

Gebruik geen metalen onderdelen, messen, vorken of soortgelijke voorwerpen om tosti's in het tosti-ijzer te stoppen of om dit te verwijderen. Dit kan de anti-aanbaklaag beschadigen. Gebruik altijd plastic of houten lepels / gereedschap.

Een verlengsnoer kan worden gebruikt voor dit apparaat als de toepasselijke voorzorgsmaatregelen worden genomen.

Als u van plan bent een verlengsnoer te gebruiken, zorg er dan voor dat de elektrische indices van het verlengsnoer ten minste gelijk zijn aan die van het apparaat. Als het apparaat geaard is, moet het verlengsnoer drie-aderig en geaard zijn. Het langere snoer moet op een dusdanige wijze worden geplaatst dat het niet over de rand van een tabel of een werkblad hangt. Zorg er ook voor dat kinderen er niet aan kunnen trekken en dat het niet onbedoeld een struikelblok of -gevaar vormt.

**VOORDAT U
UW TOSTI-IJZER
GEBRUIKT**

Voor het eerste gebruik dient u het apparaat schoon te maken. Zie hoofdstuk ONDERHOUD EN ZORG.

Verdeel wat bakolie over de roosteroppervlakken. Laat het apparaat voor 5 minuten opwarmen in stand «5», terwijl deze leeg is en het deksel open staat. Draai vervolgens de temperatuurregelaar naar stand «1», haal de stekker uit het stopcontact en wacht tot het apparaat is afgekoeld.

Wellicht merkt u een lichte geur in de lucht wanneer het apparaat voor de eerste keer opgewarmd wordt. Dit is een normaal verschijnsel wanneer de componenten voor de eerste keer voor gebruik verwarmd worden.

Het apparaat mag niet worden gebruikt in de open positie.

**HOE UW
TOSTI-IJZER
TE GEBRUIKEN****1 – Voorverwarmen**

Voordat u het apparaat aansluit op de netspanning moet u ervoor zorgen dat de temperatuurregelaar (2) in stand «1» staat.

Plaats nu het apparaat rechtop op zijn pootjes (7) en sluit deze aan op de netspanning. Het rode lampje (4) gaat branden. Draai de temperatuurregelaar op de gewenste stand. Dan gaat het groene lampje (3) branden.

Zodra de temperatuurregelaar de ingestelde temperatuur heeft bereikt, schakelt het groene lampje (3) uit.

2 – Het plaatsen van voedsel in het tosti-ijzer

Alle gebruikte ingrediënten moeten etensklaar zijn!

Gebruik geen rauw vlees of andere rauwe ingrediënten die voorafgaande voorbereiding nodig hebben zodat ze veilig gegeten kunnen worden. Het tosti-ijzer kookt of braadt geen voedsel.

Wij raden aan dat u uw tosti-ingredienten klaar heeft voor het plaatsen in het tosti-ijzer voor of tijdens de opwarmingsfase.

Om 2 tosti's te maken, heeft u 4 sneetjes brood nodig – de beste maten zijn middelgrote tot grote plakken.

Om uw tosti's een goudbruine kleur en knapperigheid te geven, kunt u boter of margarine op een zijde van elke plak smeren.

Met de beboterde kant naar beneden legt u een sneetje brood op een bord en voeg de gewenste ingrediënten toe. Zorg ervoor dat u niet een overmatige hoeveelheid beleg op de snee legt om het drukken uit de tosti tijdens het roosteren te voorkomen. Wij raden u aan om een kader van 5 mm onbedekt brood rond de randen van elke snee open te laten.

Leg een tweede sneetje brood met de beboterde kant naar boven op het sneetje met beleg.

Zodra het groene lampje (3) uitgaat, legt u de voorbereide ongeroosterde tosti's op het roosteroppervlak (9a). Zorg ervoor dat de tosti's passen in de aangewezen rechthoeken van de roosteroppervlakken. **Waarschuwing:** de roosteroppervlakken zijn op dit punt uitzonderlijk heet!

Sluit nu voorzichtig het deksel (6), druk de handgrepen (5) samen en sluit het apparaat met de sluiting (1).

Laat het brood voor een paar minuten roosteren, afhankelijk van de temperatuurinstelling die u heeft gekozen en hoe knapperig u uw tosti wilt hebben.

Zodra de tosti voor de gewenste tijd in het tosti-ijzer is geweest en aan uw verwachtingen voldoet, opent u de sluiting (1) en het deksel (6). Wees voorzichtig bij het verwijderen van uw tosti. **Waarschuwing:** De roosteroppervlakken zijn nog steeds erg warm!

Zodra u uw tosti's heeft voorbereid en niet langer het apparaat nodig heeft, zet u de temperatuurregelaar op «I» en haalt u de stekker uit het apparaat.

Wacht totdat het apparaat volledig is afgekoeld en haal de stekker van het apparaat altijd uit het stopcontact voordat u het schoonmaakt en bewaart.

Receptideeën

Tosti met ham en kaas

Ingrediënten (voor 1 tosti)
 – 2 sneden brood
 – 1 of 2 plakjes kaas
 – 1 of 2 plakjes gekookte ham

Tosti Hawaïaanse stijl

Ingrediënten (voor 1 tosti)
 – 2 sneden brood
 – 1 of 2 plakjes kaas
 – 1 of 2 plakjes gekookte ham
 – 1 plakje of meerdere blokjes ananas in blik

TIP: Wees creatief met de ingrediënten voor de vulling – gebruik gewoon wat u bij de hand heeft of het beste vindt. U kunt bijvoorbeeld salami in plaats van ham of tomaten gebruiken (zaden en sap verwijderd). Probeer verschillende mogelijkheden en ontdek uw favorieten door avontuurlijk te zijn.

Belangrijk: Leg uw tosti niet te vol, want dit kan ertoe leiden dat de ingrediënten uit de zijkanten van de tosti-ijzer lopen. Gebruik geen vloeistoffen of vloeibare vullingen van welke aard dan ook, omdat vloeistoffen niet geschikt zijn voor roosteren (bijv. mosterd, mayonaise, saus, enz.).

BEWAREN VAN HET SNOER

Voordat u uw apparaat gaat bewaren, moet u altijd het snoer (8) oprollen in de opbergruimte voor het snoer (11)

ONDERHOUD EN ZORG

Wacht altijd totdat het apparaat volledig is afgekoeld voordat u het schoonmaakt. Voordat u begint met het schoonmaken van het apparaat, moet u ervoor zorgen dat het niet meer is aangesloten op de netspanning.

Eventueel ander onderhoud moet worden uitgevoerd door een erkend servicemonteur.

SCHOONMAKEN VAN DE BEHUUZING EN ROOSTEROPPERVLAKKEN

Gebruik nooit agressieve schoonmaakmiddelen, schrapers, metalen sponsjes, staalwol of zeep staalwolsponsjes om de roosteroppervlakken of de apparaatbehuizing schoon te maken.

Gebruik uitsluitend een vochtige doek om de behuizing en roosteroppervlakken schoon te maken. Als een hardnekkig residu op de roosteroppervlakken achter blijft, breng dan wat plantaardige olie aan op wat keukenpapier en verwijder hier het voedsel mee.

Dompel de behuizing, stekker en het snoer nooit onder in water – het tosti-ijzer is een elektrisch apparaat!

BEWAREN

Het snoer moet altijd worden opgerold in de opbergruimte voor het snoer (11).

Zorg ervoor dat uw apparaat altijd rechtop staat op zijn pootjes (7) als het wordt bewaard.

Belangrijk: Haal de stekker van het apparaat altijd uit het stopcontact als het apparaat niet in gebruik is.

TECHNISCHE SPECIFICATIES

TECHNISCHE GEGEVENS

| | | |
|-----------------------------|-------------------------------------|-------------|
| Nominale voltage EURO | 220-240 V- 50/60Hz | |
| Nominale voltage VS | 120 V- 60Hz | |
| Nominaal vermogen EURO | 700 Watt | |
| Nominaal vermogen VS | 700 Watt | |
| Kabellengte | ongeveer 100 cm / 39.4 in | |
| Temperatuur | Stand 1 | Aangezet |
| | Stand 1 | 120°C/248°F |
| | Stand 2 | 140°C/284°F |
| | Stand 3 | 160°C/320°F |
| | Stand 4 | 180°C/356°F |
| | Stand 5 | 200°C/392°F |
| Afmetingen roosteroppervlak | L x W = 130 x 220 mm / 5,1 x 8,7 in | |
| Certificeringen | GS, CE, ETL, CETL | |

FABRIEKSGARANTIE VOOR DE VS & CAN, DE EU EN CH.

Garantie: BODUM® AG, Zwitserland, garandeert de BISTRO Tosti-Ijzer voor een periode van twee jaar gerekend vanaf de datum van de originele aankoop voor gebrekkig materiaal en storingen die terug zijn te voeren op defecten in ontwerp of fabricage. Reparaties worden kosteloos uitgevoerd als aan alle garantievoorwaarden wordt voldaan. Terugbetalingen worden niet gedaan.

Garantiegever: BODUM® (Schweiz) AG, Kantonsstrasse 100, Postfach 463, 6234 Triengen.

Garantievoorwaarden: Het garantiecertificaat moet door de verkoper worden ingevuld op het moment van verkoop. U moet het garantiecertificaat tonen om aanspraak te kunnen maken op garantieservices. Mocht uw BODUM® product garantieservice nodig hebben, neem dan contact op met uw BODUM® verkooppunt, een BODUM® winkel, uw landelijke BODUM® distributeur, of bezoek www.bodum.com.

BODUM® geeft geen garantie af voor schade als gevolg van onjuist gebruik, onjuiste behandeling, normale slijtage, onvoldoende of verkeerd onderhoud of verzorging, verkeerde bediening of gebruik van het apparaat door onbevoegde personen.

Deze fabrieksgarantie heeft geen invloed op uw wettelijke rechten onder de toepasselijke nationale wetgeving, noch op uw rechten ten opzichte van de dealer als gevolg van de verkoop/aankoopovereenkomst.

Milieuvriendelijke afvalafvoer



Deze markering geeft aan dat dit product niet mag worden weggegooid met ander huishoudelijk afval in de EU. Om mogelijke schade aan het milieu of de menselijke gezondheid door ongecontroleerde afvalverwijdering te voorkomen, moet het verantwoord gerecycled worden om het duurzaam hergebruik van materialen te bevorderen. Om uw gebruikte apparaat in te leveren, kunt u gebruik maken van teruggave- en inzamelsystemen of neem contact op met de winkel waar het product is gekocht. Zij kunnen dit product innemen voor milieuvriendelijk recycling.

Grattis! Du är nu stolt ägare till BODUM® elektrisk smörgåsgrill. Läs noggrant igenom dessa instruktioner innan du använder din nya apparat för första gången.

Viktig säkerhetsinformation

Vänligen läs noggrant igenom all information innan du använder apparaten för första gången. Användning som inte är enig med instruktionerna kan leda till farliga situationer.

Vid användning av elektriska hushållsapparater ska alltid grundläggande säkerhetsåtgärder alltid följas, inklusive följande:

När du har packat upp apparaten, inspektera alla delar för eventuella skador. Använd inte apparaten om du inte är säker på att allt är i perfekt skick. Kontakta din återförsäljare istället

Förvara allt förpackningsmaterial (inklusive lådan, plastpåsar, etc.) utom barns räckhåll (om de används som leksaker kan de kväva eller skada barn).

Smörgåsgrillen är utsedd endast för hushålls-och inomhusbruk. Använd inte den utomhus

Placera inte smörgåsgrillen på eller i närheten av en gas- eller elektrisk spis som är igång och placera aldrig apparaten eller dess tillbehör i en varm ugn

Rör inte vid grillytorna medan de används. Dessa ytor blir väldigt varma medan apparaten är i bruk. Använd istället handtag eller knoppar.

Varning: Medan apparaten är i bruk och när locket öppnas för att smörgåsen är klar kan het ånga strömma ut apparaten, så var försiktig för att undvika brännskador.

Tillverkaren är inte ansvarig för några skador eller skador på grund av felaktig användning eller underlåtenhet att följa anvisningarna. Använd endast smörgåsgrillen för avsett ändamål.

Låt inte barn leka med apparaten.

Denna apparat ska inte användas av barn. Förvara apparaten och dess sladd utom räckhåll för barn.

Apparaten kan användas av personer med nedsatt fysisk eller mental förmåga eller brist på erfarenhet och kunskap, såvida de har fått undervisning eller handledning angående användning av apparaten på ett säkert sätt och om de förstår de risker som finns.

Denna apparat är inte lämplig att användas av små barn eller personer med någon typ av handikapp, såvida de inte är under uppsyn av någon som kan säkerställa deras säkerhet vid användning av apparaten.

Denna apparat kan användas av barn över 8 år och personer med nedsatt fysisk, sensorisk eller mentala funktioner, eller brist på kunskap om de är under uppsyn eller blivit informerade om hur apparaten ska användas på ett säkert sätt samt förstår riskerna. Barn ska inte leka med apparaten. Rengöring och skötsel ska inte utföras av barn såvida de inte är över 8 år och under uppsyn.

Förvara apparaten och dess sladd utom räckhåll för barn under 8 år.

Koppla ur apparaten från elnätet när den inte används, kontrolleras eller rengörs.

Låt apparaten svalna innan du sätter på eller tar av delar, samt innan rengöring.

Rör aldrig vid apparaten med fuktiga eller våta händer. Rör inte sladden eller kontakten med våta händer.

Använd inga tillbehör som inte har rekommenderats av apparatens tillverkare. Överträdelse kan leda till brand,

elektriska stötar eller skador

Doppa aldrig apparaten i vatten, kom ihåg att du arbetar med en elektrisk anordning.

Torka av apparaten med en fuktig trasa för att rengöra den.

Justera temperaturreglaget till "I" och koppla ur kontakten från elnätet för att stänga av apparaten.

Dra i kontakten och inte i sladden för att koppla ur kontakten.

Se till att sladden inte hänger ner över kanten på bordet eller bänken, och låt den inte komma i kontakt med varma ytor.

Använd aldrig elektriska apparater om sladden eller kontakten är skadad eller om apparaten använts på ett felaktigt sätt. Skulle detta vara fallet, ta med dig apparaten till närmsta auktoriserade servicestation för kontroll, reparation eller annan lämplig åtgärd.

Försök aldrig själv byta ut sladden på den här apparaten, då det krävs specialverktyg för denna typ av arbete. Låt alltid reparatörer som är auktoriserade av tillverkaren utföra reparationer eller byten så att apparaten säkert kan användas igen.

Sänk aldrig ner sladd, apparat och kontakt i vatten eller andra vätskor, då detta kan leda till brand, elstötar och skador.

OBS! För att minska risken för utlösning av säkerhetsavstängningen ska apparaten inte vara ansluten till elnätet via en extern omkopplare, som till exempel en timer eller strömbrytare som regelbundet stängs av och på av nätleverantören.

Se till att temperaturreglaget står på "I" och att apparaten kopplats bort från elnätet innan du stänger av eller rengör den.

Lämna aldrig en apparat som är i bruk oövervakad.

Apparaten ska inte användas med öppet lock.

Placera aldrig smörgåsar i grillen med plastfolie, plast- eller aluminiumpåsar eller annan metallfolie. Detta kan skada apparaten

och orsaka brand.

Var väldigt försiktig när du flyttar apparaten om den innehåller varm olja eller andra varma vätskor.

ENDAST FÖR USA OCH KANADA Om barn och eller personer som inte känner till apparatens användning ska använda den, ska dessa övervakas.

KONTAKT Denna apparat har en polariserad kontakt (en av pinnarna är bredare än den andra). För att undvika risken för elstötar kan kontakten endast kopplas in på elnätet på ett sätt i uttaget. Om kontakten inte passar i ditt uttag, vänd kontakten 180° och prova igen. Om den fortfarande inte passar, kontakta en elektriker för att byta ut kontakten. Försök inte byta kontakt själv.

Spara dessa instruktioner för framtida bruk.

PLACERING AV APPARATEN

Placera smörgåsgrillen och dess tillbehör på en stadig, flat yta som varken är varken varm eller är nära en värmekälla. Ytan ska vara torr. Håll smörgåsgrillen och sladden utom räckhåll för barn.

Se till att spänningen som anges på typskylten på apparaten överensstämmer med spänningen i din region (använd en jordfelsbrytare [RCD], be en elektriker för att vara säker). Medan apparaten används ska kontakten vara lättillgänglig i händelse av en nödsituation. Tillverkaren tar inget ansvar för skador som uppstått från otillräcklig eller saknad jordning.

Om uttaget inte är kompatibelt med kontakten, kontakta en elektriker som kan byta ut uttaget.

SÄRSKILD SÄKERHETSINFORMATION

Använd ingenting av metall, såsom knivar, gafflar eller liknande för att placera eller ta bort smörgåsar ur grillen. Detta kan skada teflonytan. Använd endast redskap av plast eller trä.

En förlängningsladd kan användas tillsammans med denna apparat om lämpliga säkerhetsåtgärder.

Om du ska använda en förlängningsladd, se till att den har åtminstone samma spänning som apparaten. Om apparaten är jordad måste även förlängningsladden vara det. Förlängningsladden får inte hänga ner över kanten på bordet eller bänken. Se även till att barn inte kan dra i sladden, och att det inte oavsiktligt skapas en risk för snubbling eller kvävning.

INNAN DU ANVÄNDER DIN SMÖRGÅSGRILL

Rengör apparaten innan den används första gången. Läs avsnittet om SKÖTSEL.

Fördela matlagningsolja över grillytorna. Låt apparaten värma upp på läge "5" i 5 minuter utan någonting i den och med locket öppet. Ändra därefter läget till "1", koppla ur apparaten och låt den svalna.

Du kan märka en viss obehaglig lukt när apparaten värms upp för första gången. Detta är helt normalt när komponenterna värms upp för första gången.

Apparaten ska inte användas med locket öppet.

HUR DU ANVÄNDER TILL SMÖRGÅSGRILL

1 – Uppvärmning

Innan du kopplar in apparaten till elnätet, se till att apparaten är stängd och att temperaturreglaget (2) står i läge "1".

Placera nu apparaten upprätt på sina fötter (7) och koppla in kontakten. Den röda lampan (4) börjar lysa. Vrid temperaturreglaget till önskat läge. Därefter kommer den gröna lampan (3) att tändas.

Så fort apparaten nått önskad temperatur kommer den gröna lampan (3) att släckas.

2 – Placering av mat i smörgåsgrillen

Alla ingredienser måste vara klara att ätas!

Använd inte rått kött eller andra ingredienser som kräver tillagning för att kunna ätas. Smörgåsgrillen steker eller bryner inte maten

Vi rekommenderar att du har alla ingredienser redo före eller under uppvärmningsperioden.

För att göra 2 smörgåsar behöver du 4 skivor bröd – helst

mellanstora till stora skivor.

För att då en gyllenbrun yta på smörgåsarna, pensla smör eller margarin på ena sidan på skivorna.

Med den smörade sidan ner, placera en skiva bröd på en tallrik och lägg på önskade pålägg. Se till att du inte lägger på alltför mycket pålägg, då innehållet kan klämmas ut ur smörgåsen under grillningen. Vi rekommenderar att du lämnar ca 5 mm runt om kanterna på skivorna utan pålägg.

Placera den andra brödskivan med den smörade sidan upp ovanpå skivan med pålägget.

Så fort den gröna lampan (3) släckts, placera den förberedda smörgåsen på grillytan (9a). Se till att smörgåsen får plats inom grillytans (9a) rektangel. **Varning:** grilltorna är väldigt varma nu!

Stäng försiktigt locket (6), tryck samman handtagen (5) och lås apparaten med låset (1).

Låt brödet rostas ett par minuter beroende på temperaturinställningen du valt, och hur krispigt du vill ha brödet.

När brödet varit i grillen under önskad tid, öppna låset (1) och locket (6). Var försiktig när du plockar ut din smörgås. **Varning:** grilltorna är fortfarande väldigt varma!

När dina smörgåsar är tillagade och du inte längre ska använda apparaten, vrid temperaturreglaget till "1" och koppla ur apparaten.

Vänta tills apparaten svalnat helt och koppla alltid ur apparaten innan du rengör den och ställer undan den.

Receptförslag

Ost- och skinksmörgås

Ingredienser (för 1 smörgås)
 – 2 brödskivor
 – 1 eller 2 ostskivor
 – 1 eller 2 skivor med
 kokt skinka

Hawaiismörgås

Ingredienser (för 1 smörgås)
 – 2 brödskivor
 – 1 or 2 ostskivor
 – 1 eller 2 skivor med kokt
 skinka
 – 1 skiva eller flera kuber
 med konserverad ananas

TIPS: Var kreativ med ingredienserna – använd helt enkelt vad du har hemma eller det du gillar bäst. Du kan till exempel

använda salami i stället för skinka eller tomater (utan saft och kärnor). Prova dig fram och se vilka favoriter du kan trola fram.

Viktigt: Fyll inte smörgåsen för mycket, då detta kan göra att innehållet spiller ut från smörgåsgrillens kanter. Använd inte några rinnande ingredienser, då de inte är lämpliga för grillning (t.ex. senap, majonnäs osv.)

SLADDFÖRVARING

Innan du ställer undan apparaten, rulla alltid ihop sladden (8) inuti sladdföraringen utrymme (11).

SKÖTSEL

Vänta alltid tills apparaten svalnat helt innan du rengör den.

Se till att apparaten är urkopplad innan du börjar rengöra den.

All annan service ska utföras av auktoriserad personal.

RENGÖRING AV HÖLJE OCH GRILLYTA

Använd aldrig slipande rengöringsmedel, skrapor, eller någon typ av stålull för att rengöra höljet eller grillytorna.

Använd endast en fuktig trasa för att rengöra grillytorna och höljet. Vid envisa fläckar på grillytorna kan du hälla lite matolja på en bit hushållspapper och torka rent med.

Sänk aldrig ner hölje, kontakt eller sladd i vatten – smörgåsgrillen är en elektrisk apparat!

FÖRVARING

Sladden ska alltid rullas ihop inuti sladdföraringen (11).

Se till att apparaten alltid står upprätt på sina fötter (7) när den förvaras.

Viktigt: Koppla alltid ur apparaten när den inte används.

TECHNICAL SPECIFICATIONS

SV

TEKNISK DATA

| | | |
|--------------------------|-------------------------------------|-------------|
| Nominell spänning EUROPA | 220–240 V- 50/60Hz | |
| Nominell spänning USA | 120 V- 60Hz | |
| Nominell effekt EUROPA | 700Watt | |
| Nominell effekt USA | 700Watt | |
| Sladdlängd | ca. 100 cm / 39.4 in | |
| Temperatur | Inställning 1 | På |
| | Inställning 1 | 120°C/248°F |
| | Inställning 2 | 140°C/284°F |
| | Inställning 3 | 160°C/320°F |
| | Inställning 4 | 180°C/356°F |
| Inställning 5 | 200°C/392°F | |
| Storlek på gillytor | H × B = 130 × 220 mm / 5.1 × 8.7 in | |
| Approvals | GS, CE, ETL, CETL | |

FABRIKSGARANTI FÖR EU & CH.

Garanti: BODUM® AG, Schweiz, garanterar BISTRO Smörgåsgrill i en period av två år från inköpsdatum mot materialfel och fel som kan spåras tillbaka till brister i konstruktion eller tillverkning. Reparationer utförs kostnadsfritt om alla garantier är uppfyllda. Återbetalning är inte möjligt.

Garanten: BODUM® (Schweiz) AG, Kantonsstrasse 100, Postfach 463, 6234 Triengen.

Garantivillkor: Garantin måste fyllas i av säljaren vid tidpunkten för köpet. Du måste uppvisa garantibeviset att få garantitjänster. Skulle din BODUM®-produkt kräva garantiservice, kontakta din BODUM®-återförsäljare, en BODUM®-butik, ditt lands BODUM®-grossist, eller besök www.bodum.com.

BODUM® kommer inte ge garanti för skador som uppstått på grund av felaktig användning, felaktig hantering, normalt slitage, bristfälligt eller felaktigt underhåll eller skötsel, felaktig drift eller användning av apparaten av obehöriga personer.

Denna tillverkargaranti påverkar inte dina lagstadgade rättigheter under tillämplig nationell lagstiftning som är i kraft, eller din rätt mot försäljaren som härrör från deras försäljning-/köpekontrakt.

Miljövänlig avfallshantering



Det är olagligt att kasta elektriska apparater som är defekta eller föråldrade tillsammans med det vanliga avfallet. De måste tas om hand separat. Konsumenterna har möjlighet att lämna sådana anordningar gratis på återvinningscentraler. Ägare av sådana anordningar måste föra dem till insamlingsplatser eller ställa ut dem när respektive samlingar sker. Genom att göra denna mindre personliga insats, bidrar du till att värdefulla råvaror återvinns och förorening hanteras korrekt.

PORTUGUÊS

Parabéns! É proprietário(a) de uma Sandwicheira BISTRO elétrica BODUM®. Deverá ler atentamente estas instruções antes de utilizar o equipamento pela primeira vez.

Avisos importantes de segurança

Por favor, ler atenta e totalmente todas as informações antes de utilizar o seu equipamento pela primeira vez. O não cumprimento das instruções e avisos pode resultar em situações de perigo.

Quando utilizar equipamentos elétricos, deverão ser sempre respeitadas as precauções de segurança, incluindo os seguintes pontos:

Após desembalar o equipamento, deverá verificar a existência de danos visíveis. Não o deverá utilizar se não tiver a certeza de que está tudo em perfeitas condições. Em caso de dúvida, por favor contactar o vendedor.

Deverá guardar todos os materiais da embalagem (caixa de cartão, sacos plásticos, etc.) num local seguro afastado do alcance das crianças (asfixia e riscos de acidente).

Este equipamento destina-se apenas a utilização doméstica. Não deverá utilizar no exterior.

Não colocar o equipamento sobre ou junto de um fogão a gás ou elétrico ligado ou num forno pré-aquecido.

Não tocar nas superfícies do equipamento quando estiver em funcionamento. Estas superfícies estão bastante quentes quando o equipamento está em funcionamento. Utilize as pegas ou botões.

Aviso: Quando o equipamento está em funcionamento e ao abrir a tampa quando a sandwich estiver pronta, poderá emanar um vapor quente do equipamento, por isso, aproxime-se sempre com cuidado do equipamento para evitar queimaduras.

O fabricante não assume qualquer responsabilidade por danos ou ferimentos causados pelo equipamento resultantes de uma utilização incorreta ou de qualquer utilização que não cumpra com estas instruções. Deverá garantir que o equipamento é apenas utilizado para os fins para os quais foi desenvolvido.

Não deverá permitir que as crianças brinquem com o equipamento.

Este equipamento não deverá ser utilizado por crianças. Manter sempre o equipamento e os seus cabos afastados das crianças.

Este equipamento poderá ser utilizado por pessoas que sejam física, sensorial ou mentalmente deficientes ou que tenham falta de experiência ou não se sintam familiarizadas com a utilização do equipamento apenas se estiverem sob a supervisão ou se tiverem recebido instruções relativamente à utilização em segurança do equipamento e se conhecerem os perigos associados ao equipamento.

Este equipamento não deverá ser utilizado por crianças pequenas ou por pessoas que sofram de deficiências de qualquer tipo, exceto se essas pessoas estiverem a ser supervisionadas por uma pessoa responsável que garante a utilização em segurança do equipamento.

Este equipamento pode ser utilizado por crianças a partir dos 8 anos de idade e por pessoas com capacidades físicas, sensoriais ou mentais reduzidas ou falta de experiência e de conhecimento se estiverem sob a supervisão ou receberem instruções relativas à utilização em segurança do equipamento e conheçam os perigos envolvidos. As crianças não deverão brincar com o equipamento. A limpeza e manutenção não deverá ser efetuada por crianças exceto se tiverem mais de 8 anos e estiverem a ser supervisionadas por um adulto.

Manter o equipamento e o seu cabo afastados do alcance das crianças com menos de 8 anos.

Desligar o equipamento da corrente elétrica quando não estiver a ser utilizado ou antes de o limpar.

Deixe arrefecer antes de colocar ou retirar peças e antes de limpar o equipamento.

Não deverá tocar nunca no equipamento com as mãos húmidas ou molhadas. Não tocar no cabo ou ficha do equipamento com as mãos húmidas ou molhadas.

Não utilizar acessórios ou componentes no equipamento que não tenham sido recomendados pelo fabricante do equipamento. A utilização de tais acessórios poderá resultar em incêndios, choques elétricos e ferimentos.

Não colocar o equipamento na água. Deverá ter em atenção que a sua Sandwicheira é um equipamento elétrico.

Para limpar o equipamento, basta limpá-lo com um pano húmido.

Rodar o controlo da temperatura para a posição «I» e desligar o equipamento da corrente elétrica.

Puxar a ficha, não o cabo, para desligar o equipamento.

Deverá certificar-se que o cabo não fica pendurado sobre a extremidade da mesa ou da superfície de trabalho e não deverá permitir que entre em contacto com superfícies quentes.

Não utilizar em nenhuma circunstância equipamentos elétricos se os seus cabos ou fichas estiverem danificados ou após ter sido detetado um funcionamento incorreto ou se o equipamento estiver danificado de alguma forma. Neste caso, deverá levar o seu equipamento ao agente de serviço autorizado mais próximo da sua área de residência para ser inspecionado, reparado ou corretamente ajustado.

Não deverá tentar nunca substituir o cabo elétrico do

equipamento, pois são necessárias ferramentas especiais para efetuar este tipo de trabalho. A reparação ou substituição deverão ser exclusivamente realizadas por um serviço autorizado pelo fabricante, de modo a poder garantir-se o funcionamento em segurança do equipamento.

Não deverá nunca colocar o cabo elétrico, cobertura e ficha em água ou outros líquidos, pois poderá resultar em incêndios, choques elétricos e ferimentos.

Cuidado! Para evitar o risco de reação do corte de segurança, o equipamento não deverá ser ligado à corrente elétrica através de um dispositivo de comutação externo, como por exemplo um temporizador, ou ligado a um circuito elétrico, o qual é regularmente ligado e desligado pelo operador de rede elétrica.

Deverá certificar-se que o controlo da temperatura está em «I» e que o equipamento foi desligado da corrente elétrica antes de o tentar limpar ou desativar.

Não deverá nunca deixar o equipamento ligado quando não estiver a monitorizá-lo.

O equipamento não deverá funcionar na posição de aberto.

Não deverá colocar nunca na sandwicheira sandwiches que estejam embrulhadas em folhas plásticas, sacos de congelação ou de sandwiches fabricados em plástico ou alumínio ou outras folhas metálicas. Caso contrário, poderá danificar o equipamento e causar incêndio.

Deverá ter bastante cuidado ao movimentar um equipamento que contenha óleo quente ou outros líquidos quentes.

PARA OS EUA E CANADÁ MERCADO Se o equipamento for utilizado por crianças ou pessoas não familiarizadas com o mesmo, é obrigatória a supervisão.

FICHA ELÉTRICA Este equipamento possui uma ficha polarizada (um dos pinos de contacto é mais largo do que o outro). De modo a reduzir o risco de choques elétricos, a ficha só pode

ser ligada à corrente elétrica inserindo a ficha corretamente na tomada. Se a ficha não entrar na tomada, deverá virá-la 180° e tentar novamente. Se continuar a não entrar, deverá contactar um electricista qualificado. Não deverá tentar substituir a ficha.

Guarde estas instruções de utilização para consultas futuras.

INSTALAÇÃO DO EQUIPAMENTO

Deverá colocar sempre o equipamento numa superfície estável e nivelada, que não esteja quente nem próxima de uma fonte de calor. A superfície de instalação deve estar seca. Manter o equipamento e o seu cabo elétrico fora do alcance das crianças.

Verificar novamente se a tensão indicada na etiqueta de identificação do equipamento é igual à corrente elétrica da sua região. Ligar o equipamento apenas a uma tomada com fio terra com uma saída de pelo menos 6A (se utilizar uma placa de proteção contra falhas (RCD), deverá pedir conselhos a um electricista). Quando o equipamento estiver em funcionamento, a tomada deverá estar facilmente acessível no caso de haver uma emergência. O fabricante não assume qualquer responsabilidade por acidentes resultantes de uma ligação terra deficiente ou não existente.

Se a tomada não for compatível com a ficha do seu equipamento, deverá contactar um electricista qualificado para substituir a tomada.

INFORMAÇÃO ESPECIAL DE SEGURANÇA

Não utilizar peças metálicas, facas, garfos ou objetos similares para colocar ou retirar as sandwiches na sandwicheira. Isto poderá danificar o revestimento anti-aderente. Deverá utilizar sempre colheres/ferramentas de plástico ou madeira.

Pode ser utilizada uma extensão do cabo no equipamento desde que sejam tomadas as precauções aplicáveis.

Se pretender utilizar uma extensão do cabo, deverá certificar-se que os índices elétricos da extensão do cabo são pelo menos os mesmos do equipamento. Se o equipamento tiver fio terra, a extensão do cabo deverá ter três pinos e ter fio terra. O cabo mais longo deve ser posicionado de maneira a que não fique pendurado sobre a extremidade de uma mesa ou de uma superfície de trabalho. Deverá certificar-se também que as crianças não conseguem puxá-lo e que não irá causar tropeções involuntários.

**ANTES DE
UTILIZAR A SUA
SANDWICHEIRA**

Antes da primeira utilização, deverá limpar o equipamento. Consultar o capítulo MANUTENÇÃO E CUIDADOS A TER.

Deverá verter um pouco de óleo alimentar sobre as superfícies de tostar. Deixe o equipamento aquecer na posição «5» durante 5 minutos, vazio e com a tampa aberta. A seguir, diminuir o controlo da temperatura para a posição «I», desligá-lo e aguardar até que o equipamento arrefeça.

Poderá sentir um ligeiro odor no ar quando o equipamento aquecer pela primeira vez. Esta é uma ocorrência normal quando os componentes são aquecidos pela primeira vez.

O equipamento não deverá funcionar na posição de aberto.

**COMO
UTILIZAR A SUA
SANDWICHEIRA****1 – Pré-aquecimento**

Antes de ligar o equipamento à corrente elétrica, deverá certificar-se que este está fechado e que o controlo da temperatura (2) está na posição «I».

Colocar agora o equipamento sobre a sua base (7) e ligá-lo à corrente elétrica. A luz vermelha (4) acende-se. Rodar o controlo da temperatura para a posição pretendida. A seguir, acende-se a luz verde (3).

Logo que o controlo da temperatura atinja a temperatura pré-definida, a luz verde (3) apaga-se.

2 – Colocar comida na sandwicheira

Todos os ingredientes utilizados deverão estar prontos a ser ingeridos!

Não utilizar carne crua ou outros ingredientes que necessitem de uma preparação prévia para que possam ser ingeridos em segurança. A sandwicheira não cozinha nem grelha comida.

Recomendamos que tenha os seus ingredientes da sandwich prontos para serem colocados na sandwicheira antes ou durante a fase de aquecimento.

Para fazer 2 sandwiches, irá necessitar de 4 fatias de pão – os tamanhos ideais são médio a grande.

Para dar às suas sandwiches um aspeto dourado e crocante, espalhe manteiga ou margarina num dos lados de cada fatia.

Com a parte com manteiga virada para baixo, colocar uma fatia de pão num prato e adicionar os ingredientes pretendidos. Certifique-se que não coloca uma quantidade excessiva de ingredientes na fatia para evitar que estes sejam esmagados e saiam da sandwich durante o processo de tostar o pão. Recomendamos que deixe uma área de cerca de 5 mm de pão livre à volta de cada fatia.

Coloque uma segunda fatia de pão com a parte com a manteiga virada para cima sobre a fatia que tem já os ingredientes.

Logo que a luz verde (3) apague, coloque as sandwiches preparadas ainda por tostar na superfície para tostar (9a). Certifique-se que as sandwiches estão dentro dos retângulos designados das superfícies para tostar. **Aviso:** As superfícies para tostar estão bastante quentes neste ponto!

Fechar agora com cuidado a tampa (6), pressionar as pegas (5) juntas e fechar o equipamento com o fecho (1),

Deixar o pão tostar durante alguns minutos dependendo da temperatura selecionada e quão crocante pretende que a sua sandwich fique.

Assim que a sandwich tenha estado na sandwicheira durante o período de tempo pretendido e estiver conforme pretendido, abra o fecho (1) e a tampa (6). Deverá ter cuidado ao retirar a sua sandwich. **Aviso:** as superfícies para tostar continuam bastante quentes!

Logo que as suas sandwiches tenham sido preparadas, e se não necessitar mais do equipamento, deverá rodar o controlo da temperatura para «I» e desligar o equipamento da corrente elétrica.

Aguarde até que o equipamento arrefeça totalmente

e desligue sempre o equipamento da corrente elétrica antes de o limpar e guardar.

Sugestões de receitas

Sandwich de fiambre e queijo

Ingredientes (para 1 sandwich)
 – 2 fatias de pão
 – 1 ou 2 fatias de queijo
 – 1 ou 2 fatias de fiambre

Sandwich havaiana

Ingredientes (para 1 sandwich)
 – 2 fatias de pão
 – 1 ou 2 fatias de queijo
 – 1 ou 2 fatias de fiambre
 – 1 fatia ou vários cubos de ananás enlatado

DICA: Seja creativo(a) com os ingredientes para o recheio – simplesmente utilize o que tem à mão ou gosta mais. Pode utilizar por exemplo, salame em vez de fiambre ou tomates (sem sementes e sumo). Tente diferentes opções e descubra as suas favoritas sendo aventureiro(a).

Importante: Não encha em demasia a sua sandwich, pois os ingredientes poderão sair pelos lados da Sandwicheira. Não utilize líquidos/enchimentos escorregadios de qualquer tipo, pois os líquidos não são adequados para tostar (ou seja, mostarda, maionese, tempero, etc.).

ARMAZENAMENTO DO CABO

Antes de guardar o seu equipamento, deverá enrolar o cabo (8) no interior do compartimento de armazenamento do cabo (11).

MANUTENÇÃO E CUIDADOS A TER

Deverá aguardar sempre que o equipamento arrefeça totalmente antes de o limpar.

Antes de iniciar a limpeza do equipamento, deverá certificar-se que não está ligado à corrente elétrica.

Qualquer outro tipo de assistência deverá ser efetuada por agentes de serviço autorizados.

LIMPEZA DA COBERTURA E DAS SUPERFÍCIES PARA TOSTAR

Não utilizar nunca produtos de limpeza agressivos, raspadores, esponjas revestidas a metal, palha de aço ou esponjas de palha de aço com sabão na cobertura do equipamento.

Deverá utilizar apenas um pano húmido para limpar a cobertura e as superfícies da sandwicheira. Se permanecerem resíduos colados nas superfícies da sandwicheira, verter

um pouco de óleo alimentar numa toalha de papel e limpar a comida.

Não colocar nunca a cobertura, ficha e cabo na água – a Sandwicheira é um equipamento elétrico!

ARMAZENAMENTO

O cabo deve ser sempre enrolado no interior do compartimento do cabo (11).

Certificar-se que o equipamento está sobre a sua base (7) quando está guardado.

Importante: Deverá desligar sempre o equipamento quando não estiver a ser utilizado.

ESPECIFICAÇÕES TÉCNICAS

DADOS TÉCNICOS

| | | |
|---------------------------------------|---|-------------|
| Tensão nominal EUROPA | 220–240 V- 50/60Hz | |
| Tensão nominal USA | 120 V- 60Hz | |
| Tensão nominal de saída EUROPA | 700 Watt | |
| Tensão nominal de saída USA | 700 Watt | |
| Comprimento do cabo | aprox. 100 cm / 39.4 in | |
| Temperatura | Posição 1 | Ligar |
| | Posição 2 | 120°C/248°F |
| | Posição 3 | 140°C/284°F |
| | Posição 4 | 160°C/320°F |
| | Posição 5 | 180°C/356°F |
| Dimensões da superfície da torradeira | Largura x comprimento = 130 x 220 mm / 5.1 x 8.7 in | |
| | Certificados de controlo | |
| | GS, CE, ETL, CETL | |

GARANTIA FABRICANTE PARA A UNIÃO EUROPEIA & SUÍÇA.

Garantia: BODUM® AG, Suíça, garante a BISTRO Sandwicheira por um período de dois anos a partir da data de compra contra defeitos de material e disfunções inerentes a defeitos de concepção ou de fabricação. As reparações serão efectuadas gratuitamente se todas as condições da garantia forem preenchidas. Não há reembolsos.

Garantidor: BODUM® (Schweiz) AG, Kantonsstrasse 100, Postfach 463, 6234 Triengen.

Condições de garantia: O certificado de garantia deve ser preenchido pelo vendedor no momento da compra. Deve apresentar o certificado de garantia para obter os serviços de garantia. Se o seu produto BODUM® necessita de um serviço de garantia, contacte o seu revendedor BODUM®, uma loja BODUM®, o distribuidor BODUM® do seu país, ou visite www.bodum.com.

BODUM® não garante danos que resultam de um uso inadequado, manuseio inadequado, desgaste normal, manutenção inadequada ou incorrecta, funcionamento incorrecto ou utilização incorrecta do aparelho por pessoas não autorizadas.

Esta garantia do fabricante não afecta os seus direitos legais provenientes das leis aplicáveis, nem os seus direitos em relação ao revendedor, decorrentes do contrato de venda/compra.

Eliminação ecológica



Agora é ilegal eliminar dispositivos eléctricos que são defeituosos ou obsoletos juntamente com o lixo doméstico. Estes devem ser eliminados de forma separada. Os consumidores podem deixar estes dispositivos em centros de recolha de forma gratuita. Os proprietários destes dispositivos são obrigados a levá-los para centros de recolha ou pontos de recolha. Ao fazer este pequeno esforço pessoal, está a contribuir para garantir a reciclagem de bens e o tratamento de contaminantes de forma adequada.

Tärkeitä varotoimia

Lue kaikki ohjeet huolellisesti ja täysin ennenkuin käytät laitettasi ensimmäistä kertaa. Jos ohjeita ja varoituksia ei noudateta, se voi aiheuttaa vaaran.

Sähkökojeita käyttäessä on perusturvallisuustoimenpiteitä aina noudatettava, mukaan lukien seuraavia:

Pakkauksen purkamisen jälkeen on laite tarkistettava vahinkojen vuoksi. Älä käytä sitä, jos et ole varma, että kaikki on täydellisessä kunnossa. Ota mielummin yhteyttä jälleenmyyjäsi.

Säilytä pakkausmateriaali (kartonki, muovipussit, jne) pois lasten ulottuvilta (tukehtumis- tai vahingoittumidvaaran vuoksi).

Tämä laite on tarkoitettu vain sisäiseen kotitalouskäyttöön. Älä käytä sitä ulkona.

Älä laita laitetta kuumaa kaasua- tai sähköpolttimen päälle tai lähettyville tai kuumaan uuniin

Älä koske laitteen pintoja sen ollessa toiminnassa. Nämä pinnat ovat erittäin kuumia laitteen ollessa käytössä. Käytä kahvoja tai nuppeja.

Varoitus: Samalla kun laite on toiminnassa ja kantta avatessa vohvelisi valmistuttua, saattaa kuumaa höyryä haihtua yksiköstä, joten ole varovainen laitetta lähestyessäsi aina, palohaavojen välttämiseksi.

Valmistaja ei ota vastuuta sellaisista vahingoista ja vahingoittumisista, jotka johtuvat laitteen epäsopivasta käytöstä tai sellaisesta käytöstä, joka ei mukaudu näihin ohjeisiin. Varmista, että käytät laitetta vain sen käyttötarkoituksella.

Älä anna lasten leikkiä laitteen kanssa.

Lapset eivät saa käyttää tätä laitetta. Pidä laitetta ja sen johtoja aina pois lasten ulottuvilta.

Tätä laitetta ei ole tarkoitettu sellaisten henkilöiden käyttämäksi, joilla on vähentynyt fyysinen, aistillinen tai henkinen kyky tai joilla ei ole kokemusta tai tuntemusta, ellei heidän laitteen käyttöä valvota tai ole saanut ohjausta sen käytöstä vastuulliselta henkilöltä, joka on vastuussa heidän turvallisuudestaan.

Lapset eivätkä minkäänlaisesta esteestä kärsivät henkilöt saa käyttää tätä laitetta ellei heitä seuraa vastuullinen henkilö, joka varmistaa heidän laitteen turvallista käyttöä.

Tätä laitetta voivat käyttää 8 vuotiaat ja vanhemmat lapset sekä henkilöt, joilla on vähentynyt fyysinen, aistillinen tai henkinen kyky tai joilla ei ole kokemusta tai tuntemusta, jos heitä on informoitu laitteen turvallisesta käytöstä ja ymmärtävät siihen liittyvät vaarat. Lapset eivät saa leikkiä laitteella. Lapset eivät saa puhdistaa ja suorittaa ylläpitoa elleivät ole 8 vuotiaita tai vanhempia ja ellei heitä valvota.

Pidä laitetta ja sen johtoja pois alle 8 vuotiaiden lasten ulottuvilta.

Irrota laite päävirrasta aina, kun se ei ole käytössä, sen valvonnan aikana tai ennen puhdistusta.

Anna jäähtyä ennen osien lisäämistä tai poistamista tai ennen sen puhdistamista.

Älä koskaan koske tähän sähkölaitteeseen kosteilla tai märillä käsillä. Älä kosketa johtoa tai laitteen pistoketta kun kätesi ovat kosteat tai märät.

Älä käytä minkäänlaisia lisävarusteita tai osia laitteen

kanssa, jota laitteen valmistaja ei ole suositellut. Sellaisten lisävarusteiden käyttö voi aiheuttaa tulipalon, sähköiskun tai vammoja.

Älä koskaan upota laitetta veteen. Pidä mielessä että Lämmin voileipäkoneesi on sähkölaite.

Puhdistat laitteen yksinkertaisesti pyyhkimällä sen kostealla rätillä.

Kierrä lämpötilan hallinta-asetus «l» kohtaan ja irrota laite päävirrasta laitteen pois kytkemiseksi.

Vedä pistokkeesta, älä johdosta laitteen irrottamiseksi virrasta.

Varmista, että johto ei roiku alas pöydän tai työpinnan reunasta äläkä anna sen koskettaa kuumia pintoja.

Älä käytä sähkölaitteita missään tapauksessa, jos niiden johdot tai pistokkeet ovat vahingoittuneet tai vääränlaisen toiminnan jälkeen tai jos laite on millään tavalla vahingoittunut. Tässä tapauksessa on laite vietävä lähimpään valtuutettuun huoltoon tarkastuksen, korjauksen tai sopivan asetuksen vuoksi.

Älä koskaan yritä vaihtaa tämän laitteen virtajohtoja itse, koska se vaatii erikoistyökaluja. Anna vain valmistajan huoltopisteen suorittaa tämänlaiset korjaukset tai vaihdot jotta laitteen turvallinen toiminta olisi taattu.

Älä koskaan upota virtajohtoa, koteloä tai pistoketta veteen tai muuhun nesteeseen, koska tämä voi johtaa tulipaloihin, sähköiskuun ja vammoihin.

Varoitus! Voidaksesi ehkäistä turvallisen virrasta katkaisun reaktoriskin, ei laitetta saa liittää virtaan ulkoisen kytkinlaitteen kautta, kuten ajoituskytkimeen eikä sitä saa liittää sähkövirtapiiriin, joka on säännöllisesti sähkölaitoksen päälle- ja pois kytkemä.

Varmista, että lämpötilan hallinta-asetus on kohdassa «l» ja että laite on irrotettu päävirrasta ennen sen puhdistamista tai pois kytkemistä.

Älä koskaan jätä laitetta päällekytkettynä, jos sitä ei valvota.

Laitetta ei saa käyttää auki-asennossa.

Älä koskaan laita voileipiä lämpimään voileipäkoneeseen, joka on käärityttyä muoviin, pakastelokeroon tai muovista tai alumiinista tai muista metallikääreistä valmistettua lämmintä voileipäpussia koska se voi aiheuttaa yksikön vahingoittumisen ja aiheuttaa tulipaloja.

Ole erittäin varovainen, kun siirrät laitetta, jossa on kuumaa öljyä tai muita kuumia nesteitä.

VAIN YHDYSVALTOJEN JA KANADAN ASIAKKAILLE VAIN MARKKINA Mikäli sellaiset lapset tai henkilöt käyttävät laitetta, jotka eivät ole tutustuneet siihen, on jatkuva seuranta pakollinen.

PÄÄVIRTALÄHDE Tällä laitteella on polarisoitu pistoke (yksi liitostapeista on suurempi, kuin toinen). Voidaksesi vähentää sähköiskuriskiä, voit liittää päävirran pistokkeen ainoastaan sovittamalla pistokkeen oikein lähtöön. Jos pistoke ei sovi liitöntään, käännä sitä 180° ja yritä uudelleen. Jos se ei vielä sovi, ota yhteys virallisesti hyväksytyyn sähköammattilaiseen. Älä yritä vaihtaa pistoketta itse.

**Tallenna nämä ohjeet
myöhempää käyttöä varten.**

LAITTEEN ASETUS

Sijoita laite aina vakaalle, vaakasuoralle pinnalle. Tämän pinta ei saa olla kuuma, eikä olla kuuman pinnan lähetyvillä. Asetuspinnan on oltava kuiva. Pidä laitetta ja johtoa pois lasten ulottuvilta.

Tarkasta, että laitteen arvokilven mukainen jännite vastaa paikallista päävirran jännitettä. Liitä laite ainoastaan oikein

maadoitettuun istukkaan, jossa on ainakin 6A-lähtönopeus (jos käytät jäännösvirtalaitetta (RCD), ota yhteys sähkömieheen lisäneuvojen vuoksi). Laitteen ollessa toiminnassa on seinärasian oltava helposti käytettävissä hätätilanteiden vuoksi. Valmistaja ei ota minkäänlaista vastuuta huonosta tai olemattomasta maadoituksesta johtuvista vahingoista.

Jos istukka ei mukaudu laitteesi pistokkeeseen, pyydä pätevää sähkömiestä vaihtamaan istukkasasi.

ERIKOISTURVALISUUTIE TOA

Älä käytä minkäänlaisia metallisia osia, veitsiä, haarukoita tai samantapaisia esineitä vohvelitaikinan sijoittamiseksi Vohvelirautaan tai siitä poistamiseksi. Tämä voisi vahingoittaa tarttumaton pintaa. Käytä aina muovista tai puusta lusikkaa/välineitä.

Tämän laitteen kanssa voidaan käyttää pidennysjohtoa, jos sovelletaan varotoimia.

Jos suunnittelet käyttäväsi pidennysjohtoa, varmista, että pidennysjohdon sähköviitteet ovat ainakin samat, kuin laitteen sähköviitteet. Jos laite on maadoitettu, on pidennysjohdon oltava kolmihaarainen ja maadoitettu. Pidempi johto on sijoitettava siten, että se ei roiku pöydän tai työpinnan yli. Varmista myös, että lappet eivät pysty vetämään sitä ja että se ei ole tahattomasti kompastumisvaarallinen.

ENNEN LÄMPIMÄN VOILEIPÄKONEESI KÄYTTÖÄ

Puhdista laite ennen sen ensimmäistä käyttökertaa. Katso HUOLTO JA PUHDISTAMINEN jaksoa.

Levitä vähän öljyä raudan pintaan. Anna laitteen kuumeta asetukseksi «5» mukaan 5 minuutin ajan sen ollessa tyhjä ja kansi on auki. Seuraavaksi käännä lämpötilan hallintaa alas asetukseen «1», irrota se ja odota kunnes laite on jäähtynyt.

Saatat havaita hieman tuoksua ilmassa kun laite lämpenee ensimmäistä kertaa. Tämä on normaali tapahtuma kun osat kuumenevat ensimmäistä kertaa.

Laitetta ei käytetä avoimisessa asennossa.

MITEN LÄMMINTÄ VOILEIPÄKONETTA KÄYTETÄÄN

1 – Esilämmitys

Ennen kuin liität laitteen päävirtaan varmista, että laite on suljettu ja että lämpötilan hallinta (2) on «1» asennossa.

Sijoita nyt laite pystyasentoon sen jalustalle (7) ja liitä se

päävirtaan. Punainen lamppu (4) syttyy. Käännä lämpötilan hallinta haluamaasi asetukseen. Sitten vihreä valo (3) syttyy.

Heti kun lämpötilan hallinta on saavuttanut esiasetetun lämpötilan, vihreä valo (3) sammuu.

2 – Ruoan laittaminen lämpimän voileipäkoneen pinnalle

Kaikkien ainesten on oltava valmiita All ingredients used must be ready to eat!

Älä käytä keittämätöntä lihaa tai muita raakoja aineksia, jotka vaativat esivalmisteluja jotta ne olisi turvallisia syötäväksi. Lämmin voileipäkone ei keitä tai polta ruokaa.

Suosittellemme, että sinä esivalmistat voileivän ainekset koneeseen lämmitysvaihetta ennen tai sen aikana.

Teet 2 voileipää siten, että otat 4 palaa leipää, paras koko on keskikokoista suureen palaan.

Jotta voileipäsi olisi kullanruskea ja rapea, levitä voita tai markariinia jokaisen palan yhdelle puolelle.

Sijoita pala sen voidellun sivu alaskatsomalla lautaselle ja lisää haluamasi ainekset. Varmista, ettet laita liikaa päällysteitä palan päälle niiden poispuristamiseksi voileivästä lämmittämisen prosessin aikana. Suosittelemme, että jätät noin 5 mm reunan kattamatonta leipää jokaisen palan reunan ympärillä.

Sijoita toinen leipäpala sen voideltu puoli katsomalla ylöspäin sillä palalla, jossa on päällysteitä.

Heti kun vihreä valo (3) sammuu, sijoita esivalmistetut paistamattomat voileivät lämmityspinnalle (9a). Varmista, että voileivät sopivat lämmityspinnan suorakulmisiin muotoihin. **Varoitus:** lämmityspinnat ovat erittäin kuumia tässä vaiheessa!

Sulje nyt varovasti kansi (6), paina kahvat (5) yhteen ja lukitse laite sulkimella (1).

Anna leivän paistua muutaman minuutin ajan, riippuen lämpötilan asetuksesta, jonka olet valinnut ja mittien rapeaksi halut voileipäsi.

Kun kerran lämpötila on ollut tarpeeksi pitkän ajan ja on sinulle sopiva, avaa suljin (1) ja kansi (6). Ole varovainen voileipää poistaessasi. **Varoitus:** paistamispinna on erittäin kuuma!

Kun kerran voileipäsi on valmis etkä enää tarvitse laitetta, kytke lämpötilan hallinta «I» asentoon ja irrota laite virrasta.

Odota, kunnes laite on täysin jäähtynyt ja irrota laite virrasta ennen sen puhdistamista ja varastoimista.

Reseptiehdotukset

Kinkku ja juusto voileipä

Ainekset (1:lle voileivälle)

- 2 palaa leipää
- 1 tai 2 palaa juustoa
- 1 tai 2 palaa keitettyä kinkkua

Hawailainen voileipä

Ainekset (1:lle voileivälle)

- 2 palaa leipää
- 1 tai 2 palaa juustoa
- 1 tai 2 palaa keitettyä kinkkua
- 1 pala tai useampi purkkiananaspalaa

VIHJE: Ole luova täyteainesten suhteen – käytä vain yksinkertaisesti mitä tahansa on käsillä tai mistä parhaiten pidät. Voit käyttää esimerkiksi salamia, kinkun tai tomaattien sijasta (siemenet ja mehut poistamalla). Yritä eri optiot ja havaitse suosikkisi olemalla seikkailumielinen.

Tärkeää: Älä ylitäytä voileipää, koska siten voit aiheuttaa ainesten ulosvuotamisen lämpimästä voileipäkoneesta. Älä käytä minkäänlaisia nesteitä/juoksevia täytteitä, koska nesteet eivät sovi paistamiseksi (esim. sinappia, majoneesia, maustekastikkeita, yms.).

JOHDON VARASTOINTI

Ennenkuin laitat laitteen säiliöön, rullaa aina johto (8) johdon varastointilokeroon (11).

YLLÄPITO JA HUOLTO

Odota aina, kunnes laite on jäähtynyt täysin ennen sen puhdistamista.

Ennenkuin aloitat laitteen puhdistamisen varmistaa, ettei se ole enää liitetty päävirtaan.

Kaikki muut huollot on valtuutetun huoltoedustajan suoritettava.

KOTELON JA PAIS- TAMISPINNAN PUHDISTAMINEN

Älä koskaan käytä kovia hankaavia puhdistusaineita, kaapimia, metallipintaisia sieniä, teräsvillaa tai saippuateräsvilla-sieniä paistopintojen tai laitteen kotelon puhdistamiseksi.

Käytä vain kosteaä rättiä kotelon ja vohveliraudan pinnan puhdistamiseksi. Jos sitkeää jäännöstä tarrautuu

aina paistimen pintaan sijoita vähän ruokaöljyä paperipyyhkimeen ja poista ruoka sen kanssa. SU

Älä koskaan upota koteloa, pistoketta tai johtoa veteen –
Vohvelirauta on sähkölaite!

VARASTOIMINEN Johtoa on aina säilytettävä ylösrullattuna johtolokerossa (11).

Varmista, että laitteesi on aina pystyasennossa jalustallaan (7) sen varastoimisen aikana.

Tärkeää: Irrota laite aina, kun se ei ole käytössä.

TEKNISET SELITYKSET

TEKNISET TIEDOT

| | | |
|------------------------------|---|--------------|
| Nimellinen jännite EUROOPPA | 220–240 V~ 50/60 Hz | |
| Nimellinen jännite USA | 120 V~ 60 Hz | |
| Nimellinen lähtö EUROOPPA | 700 Watt | |
| Johdon pituus | noin 700 Watt | |
| Cord length | approx. 100 cm / 39.4 in | |
| Lämpötilan | Asetus 1 | Virta päällä |
| | Asetus 1 | 120°C/248°F |
| | Asetus 2 | 140°C/284°F |
| | Asetus 3 | 160°C/320°F |
| | Asetus 4 | 180°C/356°F |
| | Asetus 5 | 200°C/392°F |
| LeivänpaahTIMEN pinnan mitat | P × L = 130 × 220 mm / 5,1 × 8,7 tuumaa | |
| Varmennukset | GS, CE, ETL, CETL | |

MANUFACTURER GUARANTEE FOR THE USA & CAN, THE EU AND CH.

Takuu: BODUM® AG, Sveitsi, takaa BISTRO Lämmin voileipäkone kahdeksi vuodeksi alkuperäisestä ostosta laskien viallisia materiaaleja ja toimintahäiriöitä vastaan, jotka voidaan jäljittää suunnittelu- tai valmistusvikoihin. Korjaukset suoritetaan ilmaiseksi, jos takuuehdot täyttyvät. Takaisinmaksu ei ole mahdollista.

Takaaja: BODUM® (Sveitsi) AG, Kantonsstrasse 100, Postfach 463, 6234 Triengen.

Takuuehdot: Takuuodistuksen on myyjän suoritettava ostohetkellä. Sinun on esitettävä takuudodistus hankkiaksesi takuupalveluja. Mikäli BODUM® tuotteesi vaatii takuupalvelua, ota yhteys BODUM® jälleenmyyjäsi, BODUM®-kauppaasi, maasi BODUM® jakelijaan, tai vieraille osoitteessa www.bodum.com.

BODUM® ei tarjoa takuuta sellaisista vahingoista, jotka aiheutuvat valtuuttamattoman henkilön vääränlaisesta käytöstä, vääränlaisesta käsittelystä, normaalista kulumisesta ja repeämisestä, riittämättömästä tai vääränlaisesta ylläpidosta tai huolenpidosta, vääränlaisesta toiminnasta tai laitteen käytöstä.

Tämä Valmistajan Takuu ei vaikuta lailliseen oikeuteesi voimassa olevien sovellettavien kansallislakien alaisena, eikä vaikuta oikeuksiisi jälleenmyyjää vastaan heidän myynti/osto-sopimuksesta.

Ympäristöystävällinen hävitys



Nykyään on laitonta heittää sellaisia sähkölaitteita pois, jotka ovat viallisia tai vanhentuneita yhdessä normaalin jätteen kanssa. Ne on hävitettävä erikseen. Kuluttajalla on mahdollisuus heittää sellaiset laitteet pois yhteisön keräyskeskuksissa ilmaiseksi. Tämänlaisten laitteiden omistajan vaaditaan tuomaan ne keräyspaikoille tai laittamaan ne ulos, kun vastaavia keräyksiä pidetään. Tekemällä tämän pienen henkilökohtaisen ponnistuksen teet oman panostuksesi, joka varmistaa, että arvokkaita hyödykkeitä kierrätetään ja saasteita käsitellään tarkoituksenmukaisesti.

Важные правила безопасности

Внимательно прочитайте данную инструкцию, прежде чем приступить к использованию прибора. Несоблюдение инструкций и правил может привести к возникновению опасных ситуаций.

При использовании электроприборов необходимо соблюдать основные меры предосторожности, включая перечисленные ниже.

После того, как прибор распакован, необходимо осмотреть все детали на наличие повреждений. Запрещается использовать прибор, если вы не до конца уверены в его исправности и целостности. Если состояние прибора вызывает сомнения, необходимо связаться со своим продавцом.

Храните все упаковочные материалы (включая коробку, полиэтиленовые пакеты и др.) в недоступном для детей месте (во избежание проглатывания или травм во время игры).

Данный прибор предназначен для использования только в бытовых целях внутри помещений. Запрещается использовать прибор вне помещений.

Не помещайте прибор на или рядом с включенной или разогревающейся газовой/электрической плитой.

Не касайтесь поверхности прибора, когда он включен. Во время работы прибора температура нагреваемых поверхностей может быть очень высокой. Используйте ручки.

Осторожно: При открытии крышки работающего прибора после того, как приготовление бутерброда окончено, возможно появление пара. Соблюдайте осторожность, чтобы не допустить ожогов.

Производитель не несет ответственности за повреждения или

травмы, вызванные неправильным использованием прибора, а также несоблюдением настоящих инструкций. Используйте прибор только по прямому назначению.

Не разрешайте детям играть с прибором.

Детям запрещается использовать данный прибор. Всегда храните прибор в недоступном для детей месте.

Прибор не предназначен для использования лицами с ограниченными физическими, умственными или сенсорными способностями или лицами, не имеющими достаточного опыта и знаний, за исключением случаев, когда данные лица получили необходимые инструкции по безопасному использованию прибора и рискам, связанным с его использованием, или когда они используют прибор под присмотром.

Использование прибора маленькими детьми или лицами с ограниченной дееспособностью разрешено только под присмотром лица, которое может обеспечить соблюдение правил безопасности использования.

Детям в возрасте старше 8 лет и лицам с ограниченными умственными, физическими или сенсорными способностями или лицам, не имеющим достаточного опыта и знаний, разрешается использовать прибор, только если они получили необходимые инструкции по безопасному использованию и рискам, связанным с его использованием, или если они используют прибор под присмотром. Не разрешайте детям играть с прибором. Дети старше 8 лет могут допускаться к очистке и пользовательскому обслуживанию прибора только под присмотром взрослого.

Храните прибор и электрический шнур к нему в недоступном для детей месте, если у вас есть дети младше 8 лет.

Отключайте прибор от сети, если он не используется, а также во время осмотра или перед очисткой.

Прежде чем установить/снять детали или приступить к очистке прибора, дождитесь, пока он остынет.

Не касайтесь данного электроприбора мокрыми или влажными руками. Не касайтесь шнура электропитания или штепсельной вилки прибора мокрыми руками.

Не используйте с прибором комплектующие или компоненты, не рекомендованные производителем прибора. Невыполнение

перечисленных инструкций может привести к пожару, поражению электрическим током или другим травмам.

Не допускайте погружения прибора в воду. Не забывайте: перед вами электрический прибор.

Для очистки протрите прибор влажной салфеткой.

Установите регулятор температуры в положение «I» и отключите прибор от сети.

Чтобы отключить прибор от электропитания, тяните за штепсельную вилку, а не за шнур.

Не оставляйте электрический шнур несобраным на краю стола или рабочей поверхности, следите за тем, чтобы он не касался горячих поверхностей.

Независимо от обстоятельств, не допускайте использования прибора в случае повреждения шнура, штепсельной вилки или самого прибора, а также в случае обнаружения его неправильной работы. В таком случае необходимо принести прибор в ближайший сервисный центр для проверки, ремонта или регулировки.

Не предпринимайте никаких действий по самостоятельной замене шнура электропитания прибора, поскольку для этого требуются специальные инструменты. Для обеспечения безопасной работы прибора ремонт или замена шнура электропитания должны выполняться только в сервисном центре, авторизованном производителем.

Не допускайте погружения шнура электропитания, корпуса или штепсельной вилки прибора в воду и другие жидкости: данные действия могут привести к пожару, поражению электрическим током или травмам.

Внимание! Во избежание последствий отключения прибора не используйте для подключения прибора к сети внешние устройства переключения, такие как реле времени, а также не подключайте прибор к сети, в которой часто происходит отключение электроэнергии.

Прежде чем отключить прибор или приступить к его очистке, убедитесь, что регулятор температуры находится в положении «I», а сам прибор отключен от электросети.

Не оставляйте прибор включенным во время проверки.

Запрещается использовать прибор с открытой крышкой.

Никогда не кладите в сэндвичницу сэндвичи в пластиковой пленке, в пакетах для заморозки или в пакетах для сэндвичей, изготовленные из пластиковой пленки или алюминиевой или металлической фольги. Такие действия могут привести к повреждению прибора и возникновению пожара.

Проявляйте особую осторожность при перемещении прибора с горячим маслом или другими горячими жидкостями внутри.

ДЛЯ США И КАНАДЫ Детям и лицам, не знакомым с работой прибора, разрешается использовать его только под строгим присмотром.

СЕТЕВАЯ ВИЛКА Данный прибор оборудован полярной вилкой (один из контактных штырей шире, чем остальные). Во избежание риска поражения электрическим током соблюдайте осторожность при подключении вилки к сети, правильно вставляйте ее в розетку. Если вилка не вставляется в розетку, поверните ее на 180° и повторите попытку. Если вставить вилку не удалось, обратитесь к квалифицированному электрику. Не предпринимайте попыток по самостоятельной замене вилки.

Сохраните данные инструкции для последующего использования.

НАСТРОЙКА ПРИБОРА

Ставьте прибор на ровную, устойчивую, не горячую поверхность. Следите за тем, чтобы прибор находился на достаточном расстоянии от источников тепла. Поверхность, на которой находится прибор, должна быть сухой. Всегда храните прибор и сетевой шнур в недоступном для детей месте.

Всегда перепроверяйте соответствие напряжения в сети вашего региона напряжению, указанному на приборе. Подключайте прибор к должным образом заземленной розетке с минимальной выходной мощностью 6А (при использовании устройства защитного отключения (УЗО) не-

обходимо проконсультироваться с электриком). В случае возникновения аварийной ситуации во время использования прибора розетка должна быть легко доступна. Производитель не несет ответственности за несчастные случаи, связанные с отсутствием или неисправностью заземления.

При несовместимости розетки с вилкой прибора обратитесь к квалифицированному электрику для замены розетки.

ОСОБЫЕ ПРАВИЛА БЕЗОПАСНОСТИ

Не используйте металлические детали, ножи, вилки и другие подобные предметы, чтобы положить или достать бутерброды из сэндвичницы. Такие действия могут привести к повреждению антипригарного покрытия. Всегда используйте пластиковую или деревянную ложку/лопатку.

Использование удлинителя с данным прибором разрешено только в случае соблюдения всех необходимых мер предосторожности.

При использовании удлинителя необходимо убедиться в соответствии номинала удлинителя соответствующим значениям прибора. Если прибор заземлен, необходимо использовать трехпроводной заземленный кабель. Не оставляйте удлиненный электрический шнур несобраным на краю стола или рабочей поверхности. Не разрешайте детям тянуть за шнур. Следите за тем, чтобы случайно не споткнуться/зацепиться за шнур.

ПЕРЕД ИСПОЛЬЗОВАНИЕМ СЭНДВИЧНИЦЫ

Очистите прибор перед первым использованием. См. главу ОБСЛУЖИВАНИЕ И УХОД.

Смажьте нагревательные поверхности маслом. Подождите 5 минут, пока прибор нагреется до отметки «5»; в нем не должно быть продуктов, крышка должна быть открыта. Затем установите регулятор температуры в положение «I», отключите прибор от сети и подождите, пока он остынет.

После первого нагрева прибора может появиться слабый запах. Это не является неисправностью.

Запрещается использовать прибор с открытой крышкой.

КАК ИСПОЛЬЗОВАТЬ СЭНДВИЧНИЦУ

1 – Предварительный нагрев

Перед подключением к сети проследите, чтобы прибор был закрыт, а регулятор температуры (2) находился в положении «I».

Установите прибор прямо на ножки (7), подключите его к сети. Должна загореться красная лампочка (4). Установите регулятор температуры в необходимое положение. После этого загорится зеленая лампочка (3).

После того, как регулятор температуры достигнет заданного значения, зеленая лампочка (3) погаснет.

2 – Приготовление сэндвичей

Необходимо использовать только готовые к употреблению ингредиенты!

Не используйте сырое мясо и другие сырые продукты, требующие предварительной обработки. Сэндвичница не предназначена для варки или жарки продуктов.

Мы рекомендуем подготавливать необходимые ингредиенты для сэндвича до или во время нагрева прибора.

Чтобы приготовить 2 сэндвича, вам потребуется 4 ломтика тостового хлеба (наиболее подходящими будут ломтики среднего или крупного размера).

Чтобы приготовить хрустящие сэндвичи с золотистой корочкой, необходимо смазать каждый ломтик хлеба маслом или маргарином (с одной стороны).

Положите ломтик хлеба маслом вниз на тарелку и добавьте необходимые ингредиенты. Не кладите слишком много начинки на хлеб, в противном случае ингредиенты могут выдавиться из сэндвича во время жарки. Мы рекомендуем оставлять без начинки около 5 мм с каждого края ломтика хлеба.

Накройте ломтик хлеба с начинкой вторым ломтиком, положив его маслом вверх.

После того, как выключится зеленая лампочка (3), положите подготовленный сэндвич на нагревательную поверхность (9а). Следите за тем, чтобы сэндвичи не выступали за границы прямоугольников на нагревательных поверхностях.

Предупреждение: на этом этапе приготовления температура нагревательных поверхностей будет очень высокой!

После этого аккуратно закройте крышку (6), соедините обе

ручки (5) и закройте замок (1).

Время приготовления сэндвичей зависит от заданной вами температуры и того, насколько хрустящие сэндвичи вы хотите получить.

После того, как необходимое время для приготовления сэндвичей прошло, откройте замок (1) и крышку (6). Соблюдайте осторожность, доставая сэндвичи.

Предупреждение: нагревательные поверхности остаются очень горячими!

После того, как вы приготовили необходимое количество сэндвичей, установите регулятор температуры в положение «I» и отключите прибор от сети.

Прежде чем приступить к очистке прибора, дождитесь, пока он полностью остынет.

Рецепты

Сэндвичи с ветчиной и сыром

Ингредиенты (для приготовления 1 сэндвича)
 – 2 ломтика тостового хлеба
 – 1 или 2 ломтика сыра
 – 1 или 2 ломтика ветчины
 Сэндвичи по-гавайски

Ингредиенты

(для приготовления 1 сэндвича)
 – 2 ломтика тостового хлеба
 – 1 или 2 ломтика сыра
 – 1 или 2 ломтика ветчины
 – 1 пластинка или несколько кубиков консервированного ананаса

СОВЕТ: Экспериментируйте с ингредиентами для начинки — используйте свои любимые продукты или те, что находятся у вас под рукой. Например, вместо ветчины вы можете использовать салями или помидоры (удалив семена и сок). Пробуйте разные комбинации. Создание любимого рецепта может быть таким увлекательным!

Внимание: Не добавляйте слишком много начинки в сэндвич, в противном случае ингредиенты будут выдавливаться через боковые края сэндвичницы. Не используйте в качестве начинки жидкости или текучие продукты (например, горчицу, майонез, соусы и т.д.).

ОТДЕЛЕНИЕ ДЛЯ ХРАНЕНИЯ ШНУРА

Перед тем, как сложить прибор в место его хранения, скрутите шнур (8) и зафиксируйте его в специальном отсеке для хранения (11).

**ОБСЛУЖИ-
ВАНИЕ И УХОД**

Прежде чем приступить к очистке прибора, дождитесь, пока он полностью остынет.

Перед началом очистки убедитесь, что прибор отключен от сети.

Другие работы по сервисному обслуживанию должны производиться только специалистами авторизованного сервисного центра.

**ОЧИСТКА
КОРПУСА И
НАГРЕВАТЕ-
ЛЬНЫХ
ПОВЕРХНОСТЕЙ**

Не используйте для очистки нагревательных поверхностей и корпуса прибора абразивные чистящие средства, скребки, губки с металлическим покрытием, металлические мочалки или губки со стальной шерстью.

Чтобы очистить корпус и нагревательные поверхности, протрите их влажной салфеткой. При наличии стойких загрязнений на нагревательных поверхностях смочите бумажное полотенце в небольшом количестве пищевого масла и удалите остатки продуктов с поверхностей.

Не погружайте корпус, вилку и шнур прибора в воду: перед вами электрический прибор.

ХРАНЕНИЕ

Храните шнур скрученным в специальном отделении для хранения (11).

Следите за тем, чтобы во время хранения прибор был установлен на ножках (7).

Внимание: Всегда отключайте прибор от сети, если он не используется.

ТЕХНИЧЕСКИЕ ХАРАКТЕРИСТИКИ

RU

ТЕХНИЧЕСКИЕ ДАННЫЕ

| | | |
|-------------------------------|---|--|
| Номинальное напряжение ЕВРОПА | 220–240 В- 50/60Гц | |
| Номинальное напряжение США | 120 В- 60Гц | |
| Номинальная мощность ЕВРОПА | 700 Вт | |
| Номинальная мощность США | 700 Вт | |
| Прибл. длина | шнура 100 см / 39.4 in | |
| Настройка температуры | Установлено 1 Установлено 2 Установлено 3 Установлено 4 Установлено 5 | Включение питания 120°C/248°F 140°C/284°F 160°C/320°F 180°C/356°F 200°C/392°F |
| Размеры тостера | (Д, Ш) = 130 × 220 мм / 5.1 × 8.7 дюйма | |
| Сертификаты | GS, CE, ETL, CETL | |

ГАРАНТИЯ ПРОИЗВОДИТЕЛЯ ДЛЯ ЕС И ШВЕЙЦАРИИ.

Гарантия: BODUM® AG, Швейцария, гарантирует качество материалов и исправную работу *BISTRO Сэндвичница* в течение двух лет с момента покупки, а также дает гарантию, распространяющуюся на все дефекты материалов и неисправную работу, вызванные дефектами конструкции или производства. Ремонт выполняется бесплатно, если удовлетворены все гарантийные условия. Возмещение стоимости не предусмотрено.

Гарант: BODUM® (Schweiz) AG, Kantonsstrasse 100, Postfach 463, 6234 Triengen.

Гарантийные условия: Покупатель должен заполнить гарантийный сертификат во время покупки. Для получения услуг гарантийного обслуживания необходимо предоставить гарантийный сертификат. Если приобретенный товар BODUM® нуждается в гарантийном обслуживании, для получения такого обслуживания необходимо обратиться к продавцу BODUM®, в магазин BODUM®, к дистрибьютору BODUM® в Вашей стране или посетить веб-сайт www.bodum.com.

BODUM® не предоставляет гарантию на повреждения, возникшие вследствие ненадлежащего использования, неправильного обращения, нормального износа, неадекватного или неправильного технического обслуживания или ухода, неправильной эксплуатации прибора неправомочными лицами.

Гарантия производителя не влияет на Ваши законные права по действующим применимым национальным законам, как и на Ваши права по отношению к дилеру по договору купли/продажи.

Экологически приемлемая утилизация



Утилизация неисправных или устаревших электроприборов вместе с обычными отходами является нарушением закона. Их необходимо утилизировать отдельно. Потребителям должна быть предоставлена возможность сдать такие приборы бесплатно в специальных центрах сбора. Обладатели таких приборов должны принести их в пункт сбора или вынести на место, где осуществляется сбор подобных приборов. Подобное личное участие – это вклад в обеспечение переработки ценных материалов и правильной утилизации приборов.

GUARANTEE SERVICE FOR USA – CANADA (SEE OVERLEAF FOR AUS)

For more information or questions, guarantee claim and return authorization

FREE CALL – 1.800.23.BODUM/WARRANTY@BODUMUSA.COM

GUARANTEE CLAIM CAN NOT BE DONE WITHOUT PROOF OF PURCHASE.

The guarantee certificate must be completed by the seller at the time of purchase.

You must present the guarantee certificate to obtain guarantee services. Should your BODUM® product require guarantee service, please contact your BODUM® retailer, a BODUM® store, your country's BODUM® distributor, or visit www.bodum.com.

2 YEARS LIMITED GUARANTEE CERTIFICATE.

CERTIFICAT DE GARANTIE LIMITÉE DE 2 ANS.

CERTIFICADO DE GARANTÍA LIMITADA DE 2 AÑOS.

Proof of purchase

Firmenstempel

Cachet du revendeur

Firmastempel

Sello de la empresa

Timbro del rivenditore

Stempel van de zaak

Firmastämpel

Carimbo da empresa

Ostotodistus

Доказательство покупки

Date

Datum

Date

Dato

Fecha

Data

Datum

Datum

Data

Päivämäärä

Дата

11533 BISTRO Sandwich Toaster

GUARANTEE CERTIFICATE – GUARANTEE: 2 YEARS. Sandwich Toaster

GARANTIEZERTIFIKAT – GARANTIE: 2 JAHRE. Sandwich-Toaster

CERTIFICAT DE GARANTIE – GARANTIE: 2 ANS. Appareil à croque-monsieur

GARANTIBEVIS – GARANTI: 2 ÅR. Sandwich Toaster

CERTIFICADO DE GARANTIA – GARANTÍA: 2 AÑOS. Tostadora De Sándwich

CERTIFICATO DI GARANZIA – GARANZIA: 2 ANNI. Tostapane Per Sandwich

GARANTIECERTIFIKAAT – GARANTIE: 2 JAAR. Tosti-ljzer

GARANTIBEVIS – GARANTI: 2 ÅRS. Smörgåsgrill

CERTIFICADO DE GARANTIA – GARANTIA: 2 ANOS. Sandwicheira

TAKUU TODISTUS – TAKUU: 2 VUOTTA. Lämmin voileipäkone

ГАРАНТИЙНЫЙ СЕРТИФИКАТ – ГАРАНТИЯ: 2 ГОДА. Сэндвичница

bodum®

www.bodum.com