

# HTFS 3/E

Speaker stands

User Guide



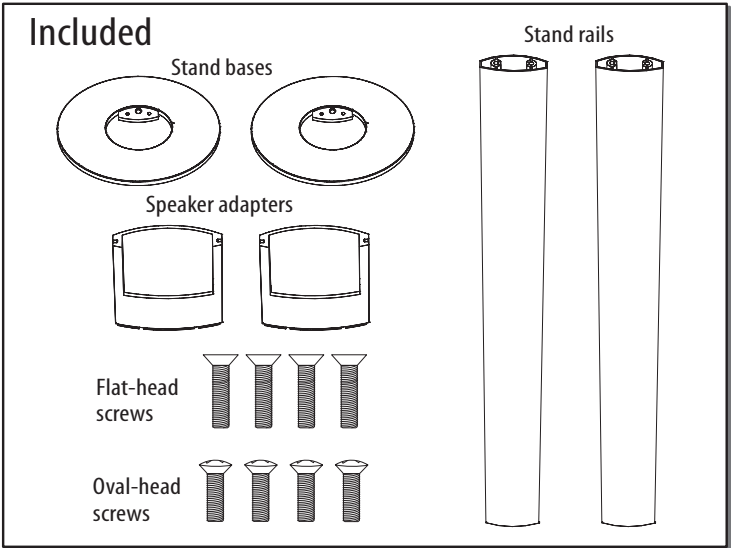
**harman/kardon®**  
Designed to Entertain.™

# HTFS 3/E

Speaker stands

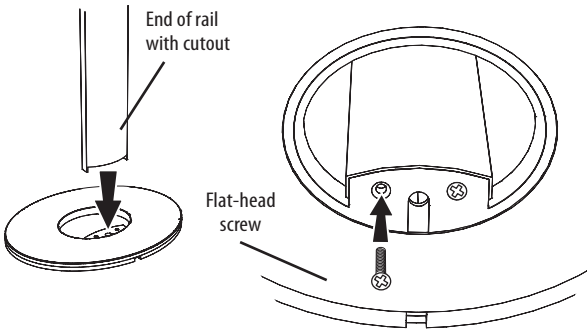
## ASSEMBLY INSTRUCTIONS

Note: HTFS 3/E stands are for use with HKTS 20, HKTS 30, HKTS 60 and HKTS 200 satellite speakers (not included)

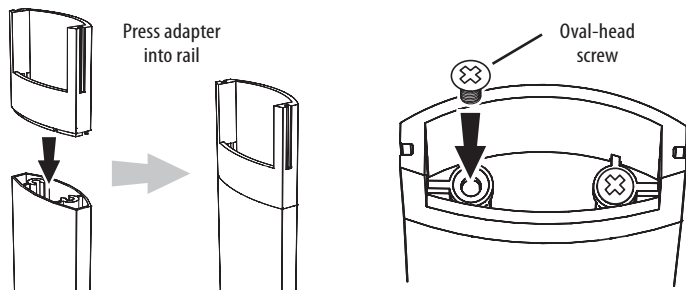


### ASSEMBLY

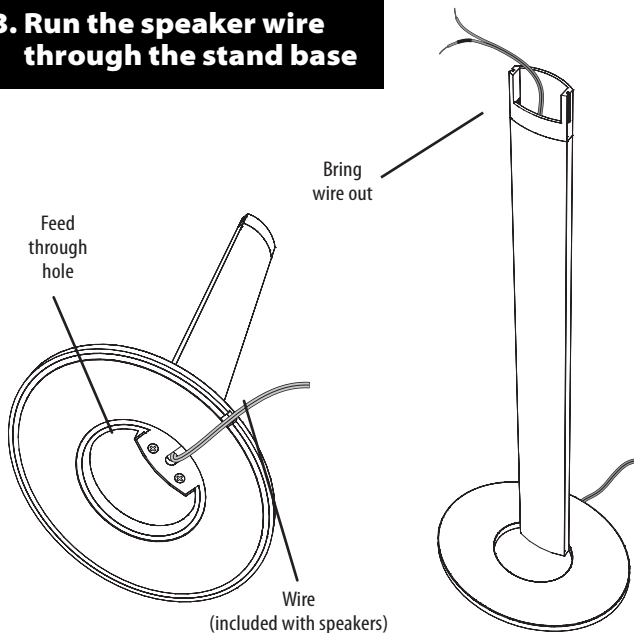
#### 1. Attach a stand rail to a stand base



#### 2. Attach a speaker adapter to the stand rail

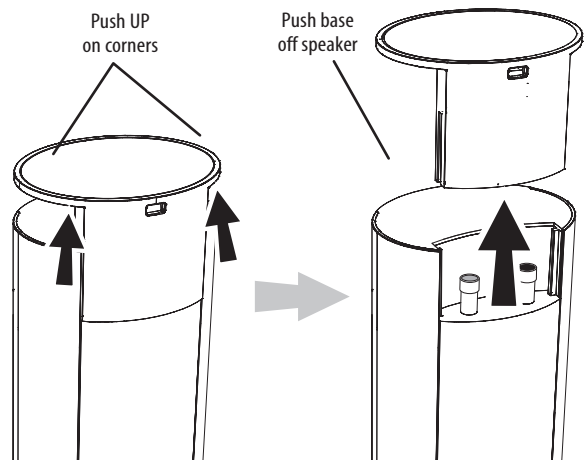


#### 3. Run the speaker wire through the stand base



#### 4. Remove the speaker's base

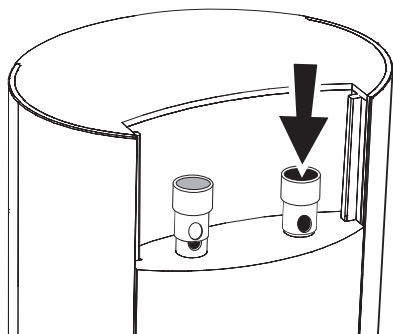
HKTS 20 / HKTS 30 / HKTS 60 / HKTS 200 Speakers



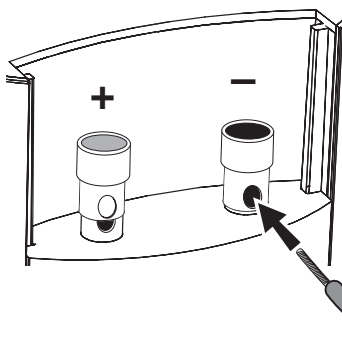
## 5. Connect the speaker wire to the speaker

HKTS 20 / HKTS 30 / HKTS 60 / HKTS 200 Speakers

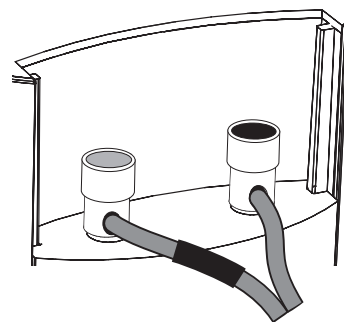
A. Push cap down



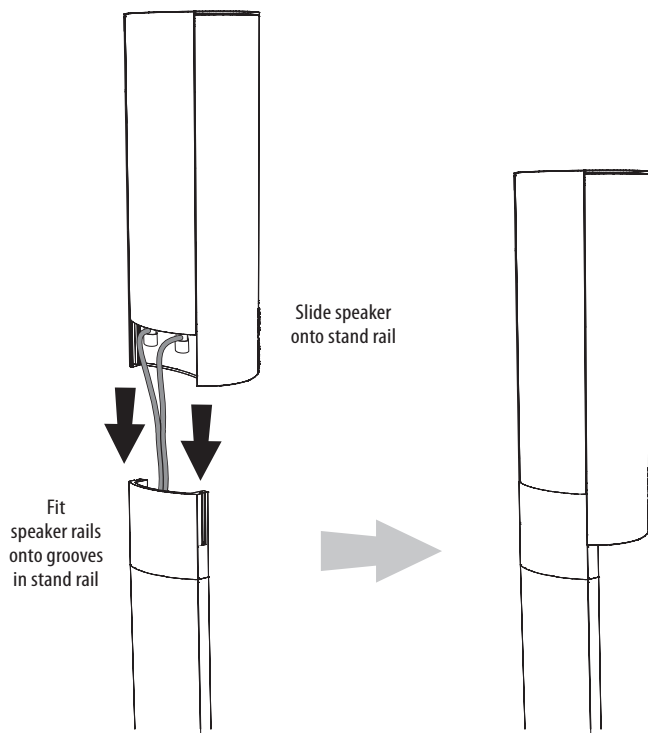
B. Insert bare wire



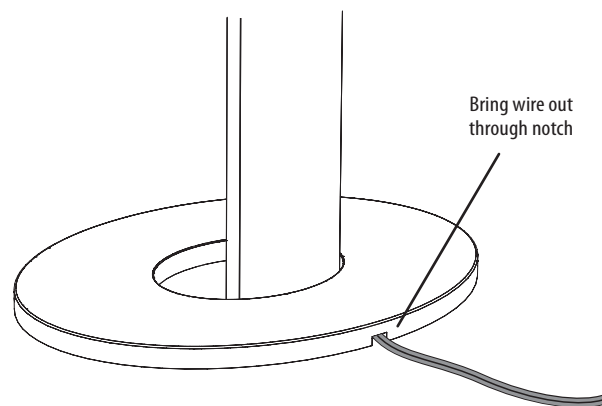
C. Release cap



## 6. Attach the speaker to the stand rail



## 7. Bring the speaker wire out of the base



Features, specifications and appearance are subject to change without notice. Harman Kardon is a trademark of Harman International Industries, Incorporated, registered in the United States and/or other countries. Designed to Entertain is a trademark of Harman International Industries, Incorporated.

**H** Harman International

©2009 Harman International Industries, Incorporated. All rights reserved.

## Harman International

Harman Consumer Group, Inc.  
8500 Balboa Boulevard, Northridge, CA 91329 USA  
516.255.4545 (USA only)

[www.harmaninternational.com](http://www.harmaninternational.com)

© 2009 Harman International Industries,  
Incorporated.

All rights reserved. Tous droits réservés.

Part No. 444020-001, 444021-001