

QUICK CAGE (DSLR)

Included:

2.5mm allen wrench



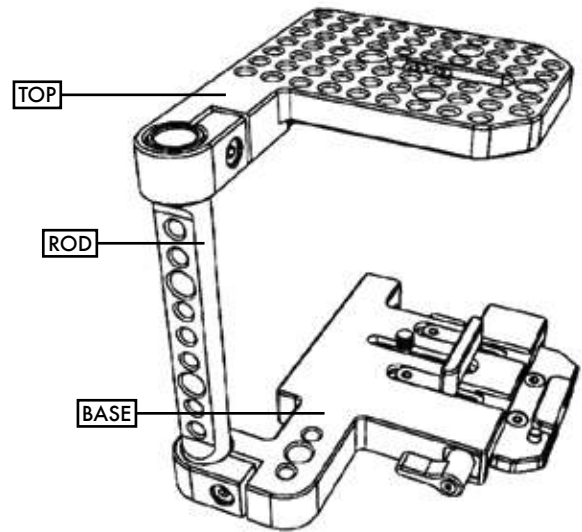
3mm allen wrench



(2) 1/4-20 low profile screws (1 install, 1 spare)

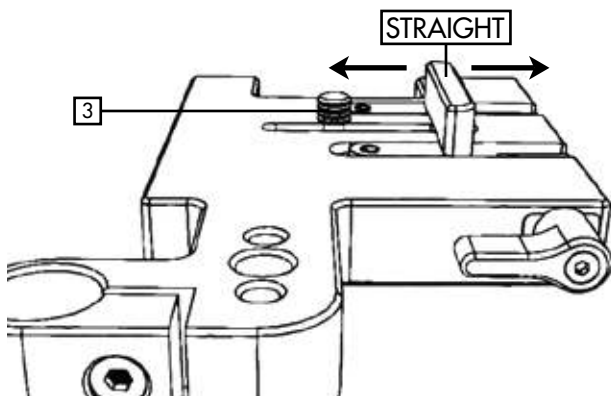


15mm Cheese Rod

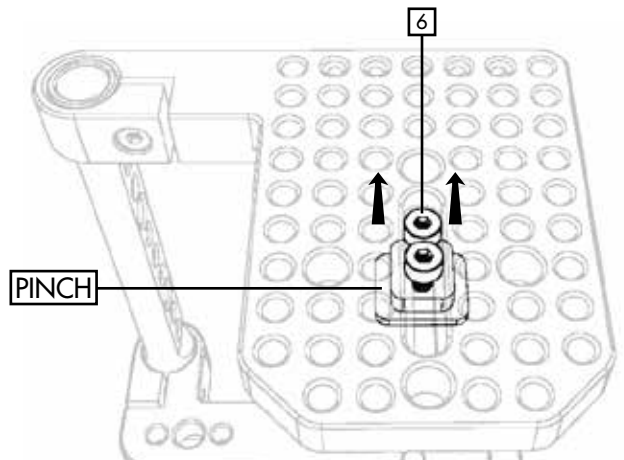


INSTALLATION

1. Choose desired camera position on **BASE**
2. Adjust **STRAIGHT** position and tighten M3 screws
3. Tighten low profile screw to camera bottom



5. Slide **PINCH** into camera shoe mount
6. Loosely tighten M4 socket cap screws

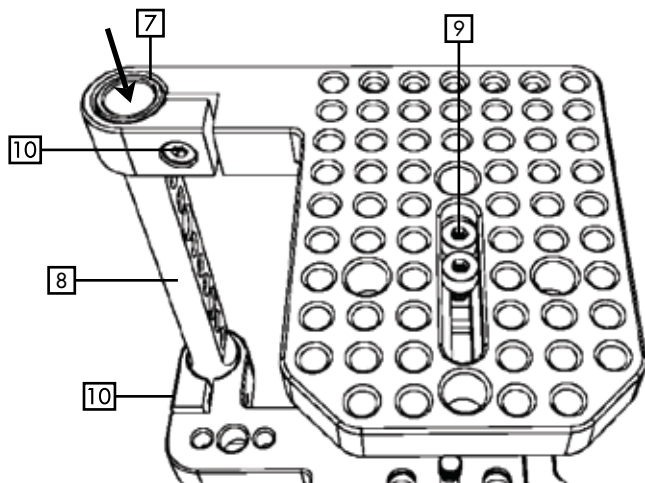


7. Align **TOP** rod hole with **BASE** rod hole

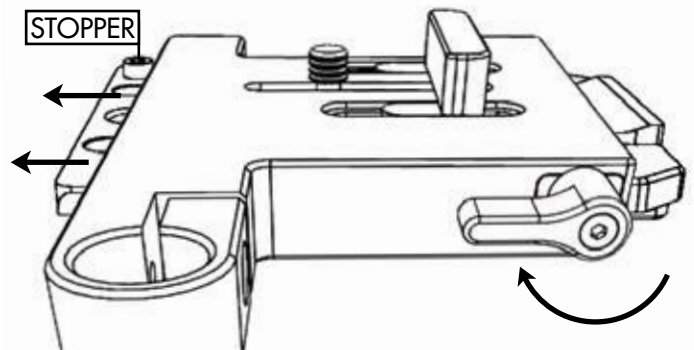
8. Inset **ROD** through **TOP** into **BASE**

! 9. **IMPORTANT** Tighten M4 screws to secure **PINCH** before moving to step 10

10. Tighten M4 screws to secure **ROD**



! IMPORTANT



Push **BASE** until contact is made with **STOPPER** before tightening thumbscrew.