

# **SALORA**

**OPERATING INSTRUCTIONS  
MODE D'EMPLOI  
GEBRUIKSAANWIJZING**



**22LED8015TDW**

**COLOUR TELEVISION WITH REMOTE CONTROL  
TELEVISEUR COULEUR A TELECOMMANDE  
KLEURENTELEVISIE MET AFSTANDBEDIENING**



## Contents

Safety Information .....	1
Getting Started .....	2
Notifications & Features & Accessories.....	2
Features .....	2
Control Buttons on the TV .....	2
Connect Power .....	3
Remote Control .....	4
Connections.....	5
Media Browser Menu.....	6
Quick Menu .....	6
TV Menu Features and Functions .....	7
General TV Operation .....	9
Using the Channel List .....	9
Configuring Parental Settings.....	9
Electronic Programme Guide (EPG) .....	9
Software Upgrade.....	10
Troubleshooting & Tips.....	10
PC Input Typical Display Modes .....	11
Supported File Formats for USB Mode .....	11
AV and HDMI Signal Compatibility .....	11

## mental capabilities or lack of experience and / or knowledge use electrical devices unsupervised.

- For ventilation purposes, leave a free space of at least 10 cm all around the set.
- **Do not** block ventilation holes.
- **Do not** place the TV on sloping or unstable surfaces, the TV may tip over.
- Use this device in moderate climates.
- The power cord plug should be easily accessible. **Do not** place the TV, furniture, etc. on the power cord. A damaged power cord/plug can cause fire or give you an electric shock. Handle the power cord by the plug, **do not** unplug the TV by pulling the power cord. Never touch the power cord/plug with wet hands as this could cause a short circuit or electric shock. Never make a knot in the power cord or tie it with other cords. When damaged it must be replaced, this should only be done by qualified personnel.
- **Do not** use this TV in a humid or damp place. Do not expose the TV to liquids. If any liquid falls into the cabinet unplug the TV and have it checked by qualified personnel before operating it any further.
- **Do not** expose the TV to direct sunlight or other heat sources. 
- The TV should not be placed near to open flames or sources of intense heat such as an electric heater.
- Excessive sound pressure from earphones and headphones can cause hearing loss. 
- Ensure that no open flame sources, such as lit candles, are placed on top of the TV.
- To prevent injury, this TV must be securely attached to the wall in accordance with the installation instructions (if the option is available).
- Occasionally, a few non-active pixels may appear on the screen as a fixed blue, green or red point. Please note that this does not affect the performance of your product. Take care not to scratch the screen with fingernails or other hard objects.
- Before cleaning, unplug the TV from the wall socket. Only use a soft, dry cloth while cleaning.

## Safety Information

	<b>CAUTION</b> RISK OF ELECTRIC SHOCK DO NOT OPEN	
<p><b>CAUTION:</b> TO REDUCE THE RISK OF ELECTRIC SHOCK DO NOT REMOVE COVER (OR BACK). NO USER-SERVICEABLE PARTS INSIDE. REFER SERVICING TO QUALIFIED SERVICE PERSONNEL.</p>		

### To operate your TV in extreme ambient conditions may cause the damage of the device.



If there is lightning or storms, or if the TV is not going to be used for a while (e.g. if going away on holiday), disconnect the TV set from the mains. The mains plug is used to disconnect TV set from the mains and therefore it must remain readily operable.








The exclamation point within an equilateral triangle is intended to alert the user to the presence of important operating and maintenance (servicing) instructions in the literature accompanying the appliance.

**Note :** Follow the on screen instructions for operating the related features.



**IMPORTANT - Please read these instructions fully before installing or operating**

**WARNING: Never let people (including children) with reduced physical, sensory or**

 Warning	Serious injury or death risk
 Risk of electric shock	Dangerous voltage risk
 Caution	Injury or property damage risk
 Important	Correctly the system operate
 Notice	Additional notes marked

## Getting Started

### Notifications & Features & Accessories

#### Environmental Information

This television is designed to consume less energy to help save the environment. To reduce energy consumption, you should take the following steps:

If you set the Power Save Mode as **Eco**, the TV will switch to energy-saving mode. The Power Save Mode settings can be found in the 'Picture' section of the Main Menu. Note that some picture settings will be unavailable to be changed.

If **Picture Off** is selected, "Screen will be off in 3 seconds." message will be displayed. Select **PROCEED** and press **OK** to continue. The screen will be off immediately.

When the TV is not in use, please switch off or disconnect the TV from the mains plug. This will also reduce energy consumption.

#### Standby Notifications

1. If the TV does not receive any input signal (e.g. from an aerial or HDMI source) for 5 minutes, the TV will go into standby. When you next switch-on, the following message will be displayed: "**Standby Cause No Signal**" Press **OK** to continue.
2. If the TV has been left on and not been operated for a while, the TV will go into standby. When you next switch-on, the following message will be displayed. "**Standby Cause No Operation**" Press **OK** to continue.

#### Features

- Remote controlled colour TV.
- Fully integrated digital (DVB-T).
- HDMI inputs are for connecting a device that has a HDMI socket.
- USB input.
- OSD menu system.
- Scart socket for external devices (such as DVD Players, PVR, video games, etc.)
- Stereo sound system.
- Teletext.
- Headphone connection.
- Automatic programming system.
- Manual tuning.
- Automatic power down after up to six hours.
- Sleep timer.
- Child lock.
- Automatic sound mute when no transmission.
- NTSC playback.

- AVL (Automatic Volume Limiting).
- PLL (Frequency Search).
- PC input.
- Plug&Play for Windows 98, ME, 2000, XP, Vista, Windows 7.
- Game Mode (Optional).

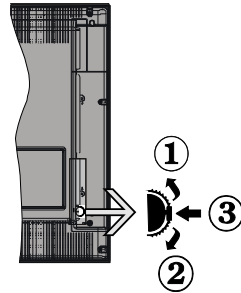
#### Accessories Included

- Remote Control
- Batteries: 2 x AAA
- Instruction Book

#### Control Buttons on the TV



#### TV Control Switch & Operation



1. Up direction
2. Down direction
3. Programme/Volume / AV / Standby-On selection switch

The Control button allows you to control the Volume/ Programme/ Source and Standby-On functions of the TV.

**To change volume:** Increase the volume by pushing the button up. Decrease the volume by pushing the button down.

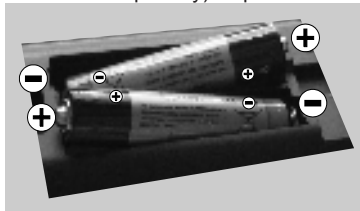
**To change channel:** Press the middle of the button, the channel information banner will appear on screen. Scroll through the stored channels by pushing the button up or down

**To change source:** Press the middle of the button twice, the source list will appear on screen. Scroll through the available sources by pushing the button up or down.

**To turn the TV off:** Press the middle of the button down and hold it down for a few seconds, the TV will turn into standby mode.

### Inserting the Batteries into the Remote

Lift the cover on the back of the remote upward gently. Install two **AAA** batteries. Make sure to match the + and - ends of the batteries in the battery compartment (observe the correct polarity) Replace the cover.

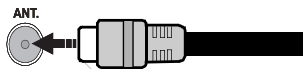


### Connect Power

**IMPORTANT:** The TV set is designed to operate on **220-240V AC, 50 Hz** socket. After unpacking, allow the TV set to reach the ambient room temperature before you connect the set to the mains. Plug the power cable to the mains socket outlet.

### Antenna Connection

Connect the “aerial” plug to the **AERIAL INPUT (ANT)** socket located on the back of the TV.



### Notification

Manufactured under license from Dolby Laboratories.

### TRADEMARK ACKNOWLEDGMENT

“Dolby” and the double-D symbol are trademarks of Dolby Laboratories.



“HDMI, the HDMI logo and High-Definition Multimedia Interface are trademarks or registered trademarks of HDMI Licensing LLC.”

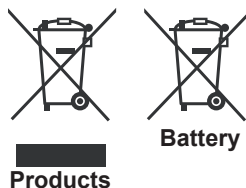


### Information for Users on Disposal of Old Equipment and Batteries

#### [European Union only]

These symbols indicate that equipment with these symbols should not be disposed of as general household waste. If you want to dispose of the product or battery, please consider the collection systems or facilities for appropriate recycling.

**Notice:** The sign Pb below the symbol for batteries indicates that this battery contains lead.

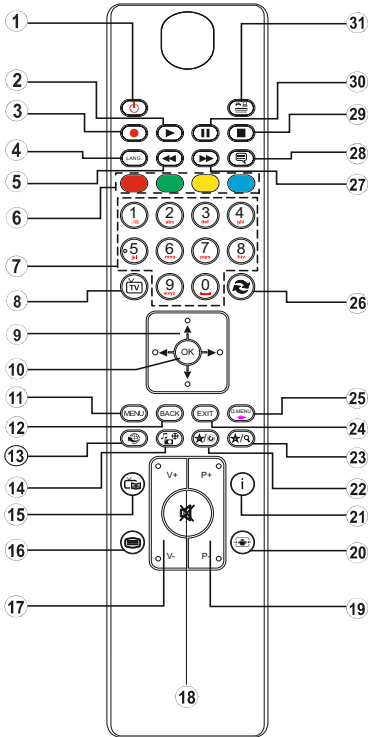


### Specification

<b>TV Broadcasting</b>	PAL B/G D/K K
<b>Receiving Channels</b>	VHF (BAND I/III) - UHF (BAND U) - HYPERBAND
<b>Number of Preset Channels</b>	1000
<b>Channel Indicator</b>	On Screen Display
<b>RF Aerial Input</b>	75 Ohm (unbalanced)
<b>Operating Voltage</b>	220-240V AC, 50Hz.
<b>Audio</b>	German+Nicom Stereo
<b>Audio Output Power (WRMS.) (10% THD)</b>	2 x 2,5
<b>Power Consumption</b>	45 W
<b>Weight</b>	3,70
<b>TV Dimensions DxLxH (with foot)</b>	134 x 516 x 353
<b>TV Dimensions DxLxH (without foot)</b>	35 x 516 x 317
<b>Operation temperature and operation humidity:</b>	5°C up to 45°C, 85% humidity max

# Getting Started

## Remote Control



1. Standby
2. Play
3. No function
4. Current language select
5. Rapid reverse
6. Colored buttons
7. Numeric buttons
8. Channel list
9. Navigation buttons
10. OK /Select
11. Menu on / off
12. Back button / Index page (in TXT mode)
13. No function\*
14. Media browser\*\*
15. Electronic Programme Guide
16. Teletext
17. Volume up / down
18. Mute button
19. Programme up / down
20. Screen mod
21. Info / Reveal (in TXT mode)
22. My button 1
23. My button 2
24. Exit
25. Q. Menu
26. Channel swap
27. Rapid advance
28. Subtitle on / off
29. Stop
30. Pause
31. AV / Source

### Teletext

Press button to enter. Press again to activate mix mode. Press once more to exit. Follow the instructions displayed on digital teletext screen.

### Digital Teletext (for UK only)

Press button to view digital teletext information. Operate it with the coloured buttons, cursor buttons and the **OK** button. The operation method may differ depending on the contents of the digital teletext. Follow the instructions displayed on the digital teletext screen. When the button is pressed again, the TV returns to television broadcast.

### Using My button 1 (\*\*)


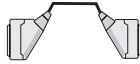

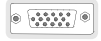


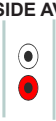
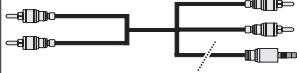







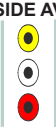











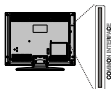


Press **MY BUTTON 1** for five seconds when on a desired source, channel or link, until the "MY BUTTON IS SET" message is displayed on the screen. This confirms that the selected MY BUTTON is now associated with the selected function.


### Using My Button 2 (\*\*\*)

Press **MY BUTTON 2** for five seconds when on a desired source, channel or link, until the "MY BUTTON IS SET" message is displayed on the screen. This confirms that the selected MY BUTTON is now associated with the selected function.

# Getting Started

## Connections

Connector	Type	Cables	Device
	<b>SCART Connection (back)</b>		
	<b>VGA Connection (back)</b>		
<b>SIDE AV</b> 	<b>PC/YPbPr Audio Connection (side)</b>	 Side Audio YPbPr or PC Connection Cable (Not supplied)	
	<b>HDMI Connection (back)</b>		
 <b>SPDIF</b>	<b>SPDIF Connection (back)</b>		
<b>SIDE AV</b> 	<b>Side AV (Audio/Video) Connection (side)</b>	 (Not supplied)	
 <b>HEADPHONE</b>	<b>Headphone Connection (side)</b>		
	<b>YPbPr Video Connection (back)</b>	 PC to YPbPr Connection Cable (Not supplied)	
 <b>USB</b>	<b>USB Connection (side)</b>		
	<b>CI Connection (side)</b>		

 **NOTE:** When connecting a device via the Side AV input, you must use the supplied connection cables to enable connection. See the illustrations above. You can use YPbPr to VGA cable (not supplied) to enable YPbPr signal via VGA input. You cannot use VGA and YPbPr at the same time. To enable PC audio, you will need to use the SIDE AV CONNECTION cable's WHITE & RED inputs. If an external device is connected via the SCART socket, the TV will automatically switch to AV mode. When receiving DTV channels (Mpeg4 H.264) or while in Media Browser mode, output will not be available via the scart socket. When using the wall mounting kit (optional), we recommend that you plug all your cables into the back of the TV before mounting on the wall. Insert or remove the CI module only when the TV is SWITCHED OFF. You should refer to the module instruction manual for details of the settings.

# Getting Started

## First Time Installation - USB Connections

### Switching On/Off

#### To Switch the TV On

Connect the power cord to the 220-240V AC, 50 Hz.

To switch on the TV from standby mode either:

Press the "⏻" button, **P+** / **P-** or a numeric button on the remote control.

Press the side function switch until the TV comes on from standby.

#### To Switch the TV Off

Press the "⏻" button on the remote control or press the side function switch until the TV switches into standby mode.

#### To power down the TV completely, unplug the power cord from the mains socket.

*Note: When the TV is switched to standby mode, the standby LED can blink to indicate that features such as Standby Search, Over Air Download or Timer is active. The LED can also blink when you switch on the TV from standby mode.*

### First Time Installation

When turned on for the first time, the language selection screen is displayed. Select the desired language and press OK.

The First Time Installation (FTI) screen will be displayed next. Set your preferences using the navigation buttons and when finished, press OK to continue.

You can activate **Store mode** option to be available in "Other settings" menu and your TV's features will be illustrated on the top of the screen. A confirmation screen will be displayed. Select **YES** to proceed.

If Home Mode is selected, Store mode will not be available after the First Time Installation. Press **OK** button to continue.

#### Default PIN code can change depending on the selected country.

If you are asked to enter a PIN code for viewing a menu option, use one of the following codes: **4725**, **0000** or **1234**.

### Aerial Installation

If you select **AERIAL** option from the **Search Type** screen, the television will search for digital terrestrial TV broadcasts.

 **NOTE:** You can press **MENU** button to cancel.

After all the available stations are stored, the Channel List will be displayed on the screen. If you like how the channels are sorted according to the LCN (\*), please select "Yes" and then press **OK**.

Press **MENU** button to quit channel list and watch TV.  
(\* LCN is the Logical Channel Number system that organizes available broadcasts in accordance with a recognizable channel sequence (if available).

### Media Playback via USB Input



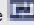


*You can connect a 2.5" and 3.5" inch (hdd with external power supply) external hard disk drives or USB memory stick to your TV by using the USB inputs of the TV.*

**IMPORTANT!** Back up your files before making any connections to the TV. Manufacturer will not be responsible for any file damage or data loss. Certain types of USB devices (e.g. MP3 Players) or USB hard disk drives/memory sticks may not be compatible with this TV. The TV supports FAT32 and NTFS disk formatting.

While formatting a USB hard disk that has 1TB (Tera Byte) or more file capacity, you can experience problems with the formatting process. Do not repeatedly quickly plug and unplug the drive. This may cause physical damage to the USB player and USB device itself. Do not pull out USB module while playing a file.

### Media Browser Menu

You can play photo, music, and movie files stored on a USB disk by connecting it to your TV. Connect a USB disk to one of the USB inputs located on the side of the TV. Pressing the **MENU** button while in the Media Browser mode will access the Picture, Sound and Settings menu options. Pressing the **MENU** button again will exit from this screen. You can set your Media Browser preferences by using the Settings Menu.

Loop/Shuffle Mode Operation	
Start playback with  and activate 	TV plays next file and loop the list.
Start playback with OK and activate 	the same file will be played in a loop (repeat).
Start playback with OK/  and activate 	the file will be played in a shuffle.

Picture Menu Contents	
<b>Mode</b>	You can change the picture mode to suit your preference or requirements. Picture mode can be set to one of these options: <b>Cinema</b> , <b>Game</b> , <b>Dynamic</b> and <b>Natural</b> .
<b>Contrast</b>	Sets contrast level of the screen.
<b>Brightness</b>	Sets the brightness value for the screen.
<b>Sharpness</b>	Sets the sharpness value for the objects displayed on the screen.
<b>Colour</b>	Sets the color saturation.
<b>Power Save Mode</b>	To set the Power Save Mode as Eco, Picture Off and Disabled. (When the Mode is Dynamic, Power Save mode is automatically set as disabled.)
<b>Backlight (Optional)</b>	This setting controls the backlight level. The backlight function will be inactive if the Power Save Mode is set to Eco. The backlight cannot be activated in VGA, Media Browser mode or while the picture mode is set to Game.
<b>Noise Reduction</b>	If the broadcast signal is weak and the picture is noisy, use the <b>Noise Reduction</b> setting to reduce the amount of noise.
Advanced Settings	
<b>Dynamic Contrast</b>	You can change the Dynamic Contrast ratio to desired value.
<b>Colour Temp</b>	Sets the color temperature.
<b>Picture Zoom</b>	Sets the desired picture size from picture zoom menu. <b>Note:</b> Auto (Only available in Scart mode with SCART PIN8 high voltage/low voltage switching)
<b>Film Mode</b>	Films are recorded at a different number of frames per second to normal television programmes. Turn this feature on when you are watching films to see the fast motion scenes clearly.
<b>Skin Tone</b>	Skin tone can be changed between -5 and 5.
<b>Colour Shift</b>	With this option you can adjust the color shift to green or to red.
<b>RGB Gain</b>	You can configure the colour temperature values using the RGB Gain feature.
<b>Reset</b>	Resets the picture settings to factory default settings.(Except Game Mode)
<b>Autoposition (in PC mode)</b>	Automatically optimizes the display. Press OK to optimize.
<b>H Position (in PC mode)</b>	This item shifts the image horizontally to the right hand side or left hand side of the screen.
<b>V Position (in PC mode)</b>	This item shifts the image vertically towards the top or bottom of the screen.
<b>Dot Clock (in PC mode)</b>	Dot Clock adjustments correct the interference that appear as vertical banding in dot intensive presentations like spreadsheets or paragraphs or text in smaller fonts.
<b>Phase (in PC mode)</b>	Depending on the resolution and scan frequency that you input to the TV set, you may see a hazy or noisy picture on the screen. In such a case you can use this item to get a clear picture by trial and error method.
<i>While in VGA (PC) mode, some items in Picture menu will be unavailable. Instead, VGA mode settings will be added to the Picture Settings while in PC mode.</i>	



## TV Menu Features and Functions

Sound Menu Contents	
<b>Volume</b>	Adjusts the volume level.
<b>Equalizer</b>	Selects the equalizer mode. Custom settings can be made only when in user mode.
<b>Balance</b>	This setting is used for emphasizing left or right speaker balance.
<b>Headphone</b>	Sets headphone volume.
<b>Sound Mode</b>	You can select a sound mode. (If the selected channel supports).
<b>AVL (Automatic Volume Limiting)</b>	Function sets the sound to obtain fixed output level between programmes.
<b>Digital Out</b>	Sets digital out audio type.
Settings Menu Contents	
<b>Conditional Access</b>	Controls conditional access modules when available.
<b>Language</b>	Configures language settings (may change depending on the country selected) Preferred and current settings will be available. Current settings can be changed only if the broadcaster supports.
<b>Parental</b>	Enter correct password to change parental settings. You can easily adjust menu lock, maturity lock (may change depending on the country selected) and child lock in this menu. You can also set new pin number.
<b>Timers</b>	Sets sleep timer to turn off the TV after a certain time. Sets timers for selected programmes.
<b>Date/Time</b>	Sets date and time.
<b>Sources</b>	Enables or disables selected source options.
Other Settings: Displays other setting options of the TV set:	
<b>Menu Timeout</b>	Changes timeout duration for menu screens.
<b>Scan Encrypted Channels</b>	When this setting is on, the search process will locate the encrypted channels as well.
<b>Blue Background</b>	Activates or deactivates the blue background system when the signal is weak or absent.
<b>Software Upgrade</b>	To ensure that your TV always has the most up to date firmware.
<b>Application Version</b>	Displays application version.
<b>Hard of Hearing</b>	Enables any special feature sent from the broadcaster.
<b>Audio Description</b>	<p>Audio description refers to an additional narration track for blind and visually impaired viewers of visual media, including television and movies. You can use this feature, only if the broadcaster supports that additional narration track.</p> <p><i>Note: Audio description sound feature cannot be available in recording or time shifting mode.</i></p>
<b>Auto TV Off</b>	You can set the timeout value of auto off feature. When the timeout value is reached and the TV has not been operated for a selected time, the TV will go into standby mode.

## TV Menu Features and Functions

<b>Standby Search (Optional)</b>	If the Standby Search is set to On, when the TV is in standby mode, available broadcasts will be searched. If the TV locates any new or missing broadcasts, a menu screen will be displayed, asking you whether or not to execute these changes. Channel list will be updated and changed after this process.
<b>Store Mode</b>	If you are displaying the TV in a store, you can activate this mode. Whilst Store Mode is enabled, some items in the TV menu may not be available.
<b>Power Up Mode</b>	This setting configures the power up mode preference.
<b>Install and Retune Menu Contents</b>	
<b>Automatic Channel Scan (Retune) (If available)</b>	Displays automatic tuning options. Digital Aerial: Searches and stores aerial DVB stations. Analogue: Searches and stores analogue stations. Digital Aerial & Analogue: Searches and stores aerial DVB and analogue stations.
<b>Manual Channel Scan</b>	This feature can be used for direct broadcast entry.
<b>Network Channel Scan</b>	Searches for the linked channels in the broadcast system.
<b>Analogue Fine Tune</b>	You can use this setting for fine tuning analogue channels. This feature is not available if no analogue channels are stored.
<b>First Time Installation</b>	Deletes all stored channels and settings, resets TV to factory settings.

## General TV Operation

### Using the Channel List

The TV sorts all stored stations in the Channel List. You can edit this channel list, set favourites or set active stations to be listed by using the Channel List options.

### Configuring Parental Settings

*To prohibit viewing of certain programmes, channels and menus can be locked by using the parental control system.*

To display parental lock menu options, the PIN number should be entered. The factory default PIN number is **0000**. After coding the correct PIN number, parental settings menu will be displayed.

**Menu Lock (Optional):** Menu lock setting enables or disables the menu access.

**Maturity Lock (Optional):** When set, this option gets the maturity information from the broadcast and if this maturity level is disabled, disables access to the broadcast.


**Child Lock (Optional):** When Child Lock is set, the TV can only be controlled by the remote control. In this case the control panel buttons will not work.

**Set PIN:** Defines a new PIN number.

**Default PIN code can change depending on the selected country.**

***If you are asked to enter a PIN code for viewing a menu option, use one of the following codes: 4725, 0000 or 1234.***

### Electronic Programme Guide (EPG)



Some, but not all channels send information about the current and next programmes. Press the **GUIDE** button to view the  menu.


**Red button (Prev Day):** Displays the programmes of previous day.

**Green button (Next day):** Displays the programmes of the next day.

**Yellow button (Zoom):** Expands programme information.

**Blue button (Filter):** Views filtering options.


: Press  button to view Select Genre menu. Using this feature, you can search the programme guide database in accordance with the genre. Info available in the programme guide will be searched and results matching your criteria will be listed.

: Displays, in detailed, information on the programme selected.

**Numeric buttons (Jump):** Jumps to the preferred channel directly via numeric buttons.

**OK:** Displays programme options.

**Text (Search):** Displays "**Guide Search**" menu.

 (Now) : Shows the current programme.

## Programme Options

In **EPG** menu, press the **OK** button to enter the **Event Options** menu.

### Select Channel

In **EPG** menu, using this option, you can switch to the selected channel.

## Software Upgrade

Your TV is capable of finding and updating automatically via the Aerial/Cable signal.

### Software upgrade search via user interface

Simply navigate on your main menu. Choose **Settings** and select **Other Settings** menu. In **Other Settings** menu navigate on to the **Software for Upgrade** item and press **OK** button to check for a new software upgrade.

### 3 AM search and upgrade mode

While the TV is connected to an aerial signal. If Automatic scanning in the Upgrade Options menu is enabled, the TV wakes up at 03:00 and searches broadcast channels for new software upgrades. If new software is found and downloaded successfully, the next time the TV powers up, it will have the new software version.

**Note:** If the TV fails to come on after the upgrade unplug the TV for 2 minutes and plug in again.

## Troubleshooting & Tips

### Tv will not turn on

Make sure the power cord is plugged in securely to wall outlet. The batteries in the remote control may be exhausted. Press the Power button on the TV.

### Poor picture


- Have you selected the correct TV system?
- Low signal level can cause picture distortion. Please check antenna access.
- Check if you have entered the correct channel frequency if you have done manual tuning.

- The picture quality may degrade when two devices are connected to the TV at the same time. In such a case, disconnect one of the devices.

### No picture

- No Picture means that your TV is not receiving a transmission. Have you selected the correct button on the remote control? Try once more. Also make sure the correct input source has been selected.
- Is the antenna connected properly?
- Is the antenna cable damaged?
- Are suitable plugs used to connect the antenna?
- If you are in doubt, consult your dealer.

### No sound

- Has the TV been set to mute? To cancel mute, press the "" button, or increase the volume level.
- Sound is coming from only one speaker. Is the balance set to one extreme? See Sound Menu section.

### Remote control - does not operate

- The batteries may be exhausted. Replace the batteries.

### Input sources - can not be selected

- If you cannot select an input source, it is possible that no device is connected. if not
- Check the AV cables and connections if you have tried to connect a device.

### Quick Menu

- Quick Settings menu allows you to access some options quickly. This menu includes Power Save Mode, Picture Mode, Equalizer Settings, Favourites and Sleep Timer options. Press Q.MENU button on the remote control to view quick menu. See the following chapters for the details of the listed features.

## PC Input Typical Display Modes

The following table is an illustration of some of the typical video display modes. Your TV may not support all resolutions. Your TV supports up to 1920x1080.

Index	Resolution	Frequency
1	1024x768	60 Hz
2	1280x768	60 Hz
3	1360x768	60 Hz
4	800x600	56 Hz
5	800x600	60 Hz
6	1024x768	60 Hz
7	1024x768	66 Hz
8	1280x768	60 Hz
9	1360x768	60 Hz
10	1280x1024	60 Hz
11	1280x960	60 Hz
12	1280x1024	60 Hz
13	1400x1050	60 Hz
14	1600x1200	60 Hz
15	1920x1080	60 Hz

## AV and HDMI Signal Compatibility

Source	Supported Signals	Available	
EXT (SCART)	PAL 50/60	O	
	NTSC 60	O	
	RGB 50	O	
	RGB 60	O	
Side AV	PAL 50/60	O	
	NTSC 60	O	
PC/ YPbPr	480I, 480P	60Hz	O
	576I, 576P	50Hz	O
	720P	50Hz,60Hz	O
	1080I	50Hz,60Hz	O
	1080P	50Hz,60Hz	O
HDMI1	480I	60Hz	O
	480P	60Hz	O
	576I, 576P	50Hz	O
	720P	50Hz,60Hz	O
	1080I	50Hz,60Hz	O
	1080P	24Hz, 25Hz 30Hz, 50Hz, 60Hz	O

(X: Not Available, O: Available)

In some cases a signal on the TV may not be displayed properly. The problem may be an inconsistency with standards from the source equipment (DVD, Set-top box, etc.). If you do experience such a problem please contact your dealer and also the manufacturer of the source equipment.

## Supported File Formats for USB Mode

Media	File Extension	Format		Remarks
		Video	Audio	(Maximum resolution/Bit rate etc.)
Movie	mpg, mpeg	MPEG1, MPEG2		MPEG1: 768x576 @30P MPEG2:1920x1080 @ 30P
	vob	MPEG2		1920x1080 @ 30P
	mp4	MPEG4, Xvid, H.264		
	mkv	H.264, MPEG4,VC-1		
	avi	MPEG2, MPEG4, Xvid, H.264		
	flv	H.264/VP6/Sorenson		H.264/VP6:1920x1080 @ 30P Sorenson: 352x288 @30P
	3gp	MPEG4, H.264		1920x1080 @ 30P
Music	.mp3	-	MPEG 1 Layer 1 / 2 (MP3)	32Kbps ~ 320Kbps(Bit rate) 32K, 44.1k, 48k Hz,16K, 22.05K, 24K Hz,8K, 11.025K, 12K Hz(Sampling rate)
Photo	.jpg .jpeg	Baseline JPEG	-	max WxH = 17000x10000 4147200bytes
	.	Progressive JPEG	-	max WxH = 4000x4000 3840000bytes
	.bmp	-	-	max WxH = 5760x4096 3840000bytes
Subtitle	.sub .srt	-	-	-

# DVD Mode

## Safety Information

### CAUTION

DVD Player is a class 1 laser product. However this product uses a visible laser beam which could cause hazardous radiation exposure. Be sure to operate the player correctly as instructed.

**CLASS 1  
LASER PRODUCT**

### RISK OF ELECTRIC SHOCK

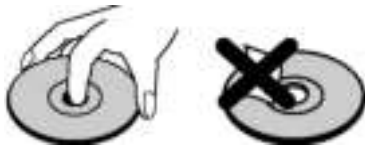
The lightning flash with arrowhead symbol, within an equilateral triangle, is intended to alert the user to the presence of uninsulated "dangerous voltage" within the product's enclosure that may be of sufficient magnitude to constitute a risk of electric shock of persons.

The exclamation point within an equilateral triangle is intended to alert the user to the presence of important operating and maintenance (servicing) instructions in the literature accompanying the appliance.

## Notes on Discs

### On handling discs

- To keep the disc clean, handle the disc by its edge. Do not touch the surface.
- Do not stick paper or tape on the disc.
- If the disc is contaminated with any substance like glue remove before using it.



- Do not expose the disc to direct sunlight or heat sources such as hot air ducts, or leave it in a car parked in direct sunlight as the temperature can rise quickly and damage the disc.
- After playing, store the disc in its case.

## On cleaning

- Before playing, clean the disc with a cleaning cloth. Wipe the disc from the center out.



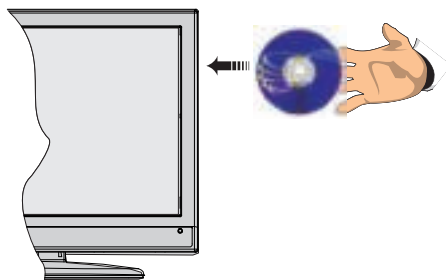
- Do not use solvents such as benzene, thinner, commercially available cleaners or anti-static spray intended for vinyl LPs.

## Licence Notification

This product incorporates copyright protection technology that is protected by U.S. patents and other intellectual property rights. Use of this copyright protection technology must be authorized by Rovi Corporation, and is intended for home and other limited viewing uses only unless otherwise authorized by Rovi Corporation. Reverse engineering and disassembly are prohibited.

## How to Watch a DVD

When placing a disc into the loader, labeled side of the disc should be on the front:



When TV set is turned on, first switch to DVD source by using the **SOURCE** button on the remote control. Press play on the remote control, or directly press play button at the front panel. If there is no disc inside the loader, place a DVD first and press play.

**Note:** If you switch to another source by pressing **SOURCE**, **SWAP** or **P+/P-** buttons on the remote control, DVD playback will be paused automatically. You should press **PLAY** and resume the playback manually when you switch to DVD mode.

## DVD Control Panel Buttons

### A. Disc loader

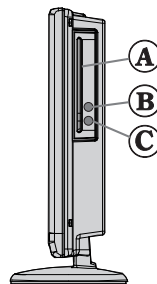
### B. Play / Pause

Plays/pauses the disc. When DVD menu (root menu) is active, this button functions as "button select" (selects the highlighted item in menu) if this is not prohibited by the disc.

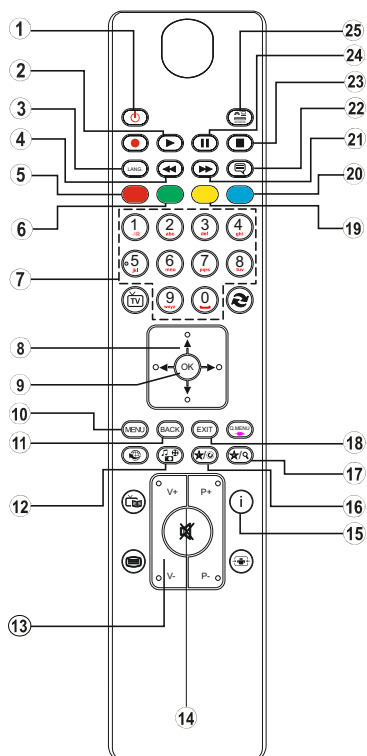
### C. Stop / Eject

Stop playing disc / Eject or Load the disc Note:

- You cannot eject the disc via the remote control.
- While playing a file, you should press STOP button three times to eject.







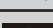


1. Standby
2. Play
3. No function
4. Language selection (Set language)
5. Zoom
6. Repeat
7. Numeric buttons
8. Navigation buttons
9. OK
10. Menu
11. Return
12. Angle
13. volume up / down
14. Mute
15. Info
16. My button 1 / Display time / DVD menu
17. My button 2 / Search mode
18. Exit
19. Root
20. Title
21. Rapid advance
22. Subtitle
23. Stop
24. Pause
25. AV / Source selection


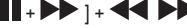





## General Operation

You can operate DVD, movie CD, music or picture CD's content by using the proper buttons on your remote control. Below are main functions of commonly used remote control buttons.

Buttons on the Remote Control	DVD Playback	Movie Playback	Picture Playback	Music Playback
	Play	Play	Play	Play
	Pause	Pause	Pause	Pause
	Stop	Stop	Stop	Stop
	Skip backward/ forward	Skip backward/ forward	Rotate	Skip backward/forward
	Highlights a menu item / Shifts the zoomed picture up or down (if available).			
	Fast reverse / Fast forward			
	Views the scene from different angles (if available)	Changes slide effect (depends on the content)		X
<b>MY BUTTON1</b>	Displays time / Views main setup menu			
<b>INFO</b>	Time counter mode selection (during playback). Press repeatedly to switch between modes.			
<b>LANG.</b>	Audio language.	X		X
<b>MENU</b>	Displays TV menu.			
<b>OK / SELECT</b>	Enter / View / Play			
<b>GREEN</b>	Displays repeat options.			
<b>RETURN</b>	Returns back to the previous menu (if available).			
<b>YELLOW</b>	Goes back to the root folder (if available).			
<b>MY BUTTON2</b>	Direct selection of scenes or time.	Selects the desired file.		Selects the desired file.
<b>SUBTITLE</b>	Subtitle on-off. Press repeatedly to switch between subtitle options.		X	X
<b>SWAP</b>	Media source selection.			
<b>BLUE</b>	Displays disc menu (if available).	Displays disc menu (if available).	X	X
<b>RED</b>	Zooms picture. Press repeatedly to switch between zoom options.			

## Other Functions – Button Combinations (During playback)

	Slow forward.
	Sets slow forward speed.
	Sets fast forward speed.
	Sets fast reverse speed.
	Confirms stop command.

(\*) You can switch to title by pressing numeric keys directly. You need to press 0 and then digit key to switch one digit titles (example: to select 5, press 0 and 5).

## General Playback

### Basic Play

1. Press on the power button
2. Please insert a disc to the loader.

The disc will be automatically loaded and play commences if the disc does not have any menus recorded on it.


A menu may appear on the TV screen after a few moments or the film may start immediately after the introduction of the Film Company. This behaviour depends on the disc content and may change.

**Note:** Step 3 and 4 is available only when a menu is recorded on the disc.

3. Press “▼” / “▲” / ◀ / ▶ or the number button (s) to select the preferred title.
4. Press OK.

Play of the selected items now starts. The played item may be a motion picture, a still picture or another submenu depending on the disc.


### For your reference:

If an action corresponding to a button is prohibited the  symbol appears.

### Notes on Playback:

1. No sound will be heard during Rapid advance or Rapid reverse.
2. No sound will be heard during Slow motion play.
3. Reverse slow motion play is not available.
4. In some cases, the subtitle language is not changed immediately to the selected one.
5. When the preferred language is not selected even after pressing the button several times, it means that the language is not available on the disc.
6. When the player is restarted or the disc is changed, the subtitle selection is automatically changed back to the initial settings.
7. If a language is selected, not supported by the disc, the subtitle language will automatically be set to the disc's priority language.
8. Usually a circulation will happen while switching to another language, that is you can cancel the subtitle by pressing this button a number of times until “Subtitle Off” appears on the screen.
9. When the power is turned on or the disc is removed, the language heard is the one selected at the initial settings. If this language is not recorded on the disc, only the available language on the disc will be heard.
10. Some DVDs may not contain root and/or title menus.
11. Reverse stepping is not available.
12. For your convenience:

If you attempt to enter a number greater than the total time of the current title, the time search box disappears

and “ Input Invalid” message appears on up-left corner of screen.

13. Slide Show is disabled when the ZOOM mode is on.

## DVD Troubleshooting

### The picture quality is poor (DVD)

- Make sure the DVD disc surface is not damaged. (Scratch, fingerprint etc.)
- Clean the DVD disc and try again.

See instructions described in “Notes on Discs” to clean your disc properly.

- Ensure that the DVD disc is in the drawer with the label uppermost.
- A damp DVD disc or condensation may effect the equipment. Wait for 1 to 2 hours in Stand-by to dry the equipment.

### Disc does not play

- No disc in the machine. *Place a disc into the loader.*
- Disc incorrectly loaded.

Ensure that the DVD disc is in the drawer with the label uppermost.

- Wrong type of disc. The machine cannot play CD-ROMS etc. • The region code of the DVD must match the player.

### Wrong OSD language

- Select the language in the set-up menu.
- The language for the sound or subtitles on a DVD cannot be changed.
- Multilingual sound and/or subtitles not recorded on the DVD.
- Try to change the sound or subtitles using DVD's title menu. Some DVD's do not allow the user to change these settings without using the disc's menu
- These functions are not available on the DVD.

### No picture

- Have you pressed the correct buttons on the remote control? Try once more.

### No sound

- Check the volume is set to an audible level.
- Make sure you have not switched the sound off accidentally.

### Distorted sound





- Check that the appropriate listening mode setting is correct.

### If nothing works

If you have tried the above solutions and none seem to work, try switching your TV-DVD off and on again. If this does not work, contact your supplier or TV-DVD repair technician. Never attempt to repair a defective TV-DVD yourself.



## Disc Types Compatible with This Unit

Disc Types (Logos)	Recording Types	Disc Size	Max. Playing Time	Characteristics
	Audio + Video	12 cm	Single-sided; 240 min. Double-sided; 480 min.	<ul style="list-style-type: none"> <li>DVD contains excellent sound and video due to Dolby Digital and MPEG-2 System.</li> <li>Various screen and audio functions can be easily selected through the on screen menu.</li> </ul>
	Audio	12 cm	74 min.	<ul style="list-style-type: none"> <li>An LP is recorded as an analog signal with more distortion. CD is recorded as a Digital Signal with better audio quality, less distortion and less deterioration of audio quality over time.</li> </ul>
	Audio (xxxx.mp3)	12 cm	It depends on MP3 quality.	<ul style="list-style-type: none"> <li>MP3 is recorded as a Digital Signal with better audio quality, less distortion and less deterioration of audio quality over time.</li> </ul>
	Video (still picture)	12 cm	It depends on JPEG quality.	<ul style="list-style-type: none"> <li>JPEG is recorded as a Digital Signal with better picture quality over time.</li> </ul>

For proper operation, only 12 cm discs must be used.

## Specifications

<b>Types of Discs Supported</b>	<b>DVD:</b> SS/SL 4.7" (DVD-5) SS/DL 4.7" (DVD-9) DS/SL 4.7" (DVD-10) DS/DL 4.7" (DVD-18)	CD-DA CD-R CD-RW MP-3/JPEG
<b>Video Type</b>	MPEG-2 Video Standard Decoding (MPEG-1 supported) Full-Screen Video Display of 720 x 576 (PAL) & 720 x 480 (NTSC) pixels 50 and 60 Hz frame refresh rates (PAL & NTSC) Digital bit-stream processing rate up to 108Mbps/sec Line resolution more than 500 lines	
<b>Audio Type</b>	MPEG Multichannel Decoding LPCM	
<b>Audio Output</b>	<b>Analog Outputs:</b> 24 bit /48, 44.1kHz down-sampling DAC	

## Table des matières

Consignes de sécurité.....	17
Mise en route.....	19
Fonctions.....	19
Branchez le câble d'alimentation.....	20
Télécommande.....	21
Connexions (Connections).....	22
Menu Navigateur média.....	24
Options et fonctions du menu TV.....	25
Mise à jour du logiciel.....	28
Dépannage et astuces.....	28
Modes d'affichage typiques d'une entrée de PC.....	30
Formats de fichier pris en charge pour le mode USB.....	30
Mode DVD.....	31
Remarques sur les disques.....	31
Comment Regarder un DVD.....	31
Boutons du panneau de contrôle du DVD.....	32
Fonctionnement général.....	33
Dépannage du DVD.....	35
Spécifications.....	36

## Consignes de sécurité

	<b>AVERTISSEMENT</b> <b>RISQUE D'ELECTROCUTION</b> <b>NE PAS OUVRIR</b>	
<b>ATTENTION:</b> TPOUR EVITER TOUT RISQUE D'ELECTROCUTION, NE RETIREZ PAS LE COUVERCLE. (OU LE ARRIERE). L'ENTRETIEN DES PIÈCES INTERNES EST INTERDIT AUX UTILISATEURS. VEUILLEZ CONFIER L'ENTRETIEN A UN PERSONNEL QUALIFIE.		

**Le fait de faire fonctionner votre téléviseur TV dans des conditions ambiantes extrêmes peut l'endommager.**




Si la tempête ou les éclairs surviennent ou si la TV ne sera pas utilisée pendant un bon bout de temps, (si par exemple vous partez en vacances) veuillez débrancher l'appareil de l'alimentation secteur. La prise d'alimentation est utilisée pour débrancher le téléviseur de l'alimentation secteur et doit donc rester facilement opérable.





Le point d'exclamation à l'intérieur d'un triangle équilatéral a pour fonction d'alerter l'utilisateur de la présence d'instructions importantes pour le bon fonctionnement et l'entretien (maintenance) dans la documentation fournie avec l'appareil.






**Remarque:** Veuillez suivre les instructions qui s'affichent à l'écran en ce qui concerne l'activation des fonctionnalités connexes.

 **Veillez lire complètement ces consignes avant d'installer ou d'utiliser.**

**⚠ AVERTISSEMENT:** Ne jamais permettre aux personnes (y compris les enfants) souffrant de déficiences physiques, sensorielles ou mentales et / ou manquant de connaissances appropriées, d'utiliser un appareil électrique sans être encadrées par une autre personne responsable de leur sécurité!

- Pour la ventilation, laissez un espace d'au moins 10 cm autour du poste.
- **N'obstruez pas** les trous de ventilation.
- **Évitez** de placer le téléviseur sur des pentes ou surfaces instable, car il pourrait basculer.
- Utilisez cet appareil sous des climats modérés.
- Le cordon d'alimentation doit être facilement accessible. **Évitez** de placer le téléviseur ou le coffre, etc. sur le cordon d'alimentation. Un cordon/prise de raccordement endommagé peut causer un incendie ou vous infliger une décharge électrique. Tenez le cordon d'alimentation par la prise, et, **évit**ez de débrancher le téléviseur en tirant le cordon d'alimentation. Ne touchez jamais le cordon/la prise d'alimentation avec des mains humides, car cela pourrait causer un court-circuit ou une commotion électrique. Ne faites jamais de nœud au niveau du cordon d'alimentation, et ne le liez pas à d'autres cordes. Si le cordon d'alimentation est endommagé, il doit être remplacé par un technicien qualifié. **N'utilisez pas** cette TV dans un environnement humide ou mouillé. N'exposez pas la TV aux liquides. Si un liquide se déverse à l'intérieur du poste, débranchez-la TV et faites-la vérifier par un personnel qualifié avant de continuer à l'utiliser.
- **N'exposez pas** le téléviseur directement à la lumière solaire ou à des sources de chaleur 
- L'appareil ne doit pas être placé à côté des flammes nues ou à proximité des sources de grande chaleur à l'instar d'un radiateur.
- Une pression sonore excessive provenant des écouteurs et du casque peut provoquer une perte auditive.
- Assurez-vous qu'aucune source de flamme vive, telles que des bougies allumées, n'est placée sur le téléviseur. 
- Pour éviter toute blessure, le téléviseur doit être solidement fixé au mûr conformément aux instructions d'installation (si l'option est disponible).

- Occasionnellement, quelques pixels non actifs peuvent apparaître à l'écran comme un point fixe bleu, vert ou rouge. Veuillez noter que ceci n'affecte pas les performances de votre appareil. Veuillez à ne pas rayer l'écran avec les ongles ou autres objets durs.
- Avant de nettoyer, débranchez le poste TV de la prise murale. Nettoyez la TV avec un tissu doux et sec.

 Avertissement	Risque de blessure grave ou de mort
 R i s q u e d'électrocution.	Risque de tension dangereuse
 Attention	Risque de blessure ou de dommage matériel
 Important !	Bon fonctionnement du système
 Attention	Notes supplémentaires relevées

## Mise en route

### Notifications & Caractéristiques & Accessoires

#### Informations à caractère environnemental

Ce téléviseur est conçu pour consommer moins d'énergie afin de protéger l'environnement. Pour réduire effectivement votre consommation électrique, vous devez suivre les étapes ci-après :

Si vous réglez le mode d'économie d'énergie à **Eco**, la TV va passer en mode d'économie d'énergie. Le mode d'économie d'énergie se trouve au niveau du sous menu 'Image' dans le menu principal. Sachez que les réglages de certaines images ne pourront pas être accessibles pour modification.

Si l'option Image désactivée est sélectionnée, le message "**I'écran s'éteindra dans 15 secondes**" s'affichera à l'écran. Sélectionnez l'option **POUR SUIVRE** et appuyez sur **OK** pour continuer. L'écran va immédiatement s'éteindre.

Veuillez mettre le téléviseur hors tension et le débrancher du secteur lorsque vous ne vous en servez pas. Cette bonne pratique vous permet aussi d'économiser de l'énergie.

#### Notifications de veille

1. Lorsque le téléviseur ne reçoit aucun signal d'entrée (par exemple une antenne ou une source HDMI) pendant 5 minutes, il passe en veille. Au prochain démarrage, le message suivant s'affichera : "**Mode veille en cas d'absence de signal**" Appuyez sur **OK** pour continuer.
2. Lorsque le téléviseur est resté inactif pendant 4 heures, il passe en mode veille. Au prochain démarrage, le message suivant s'affichera : "**Mode veille en cas d'absence de signal**" Appuyez sur **OK** pour continuer.

#### Fonctions

- Ecran de couleur contrôlé à distance.
- TV numérique (DVB-T).
- Les entrées HDMI sont réservées à un périphérique doté d'une prise HDMI.
- Entrée USB.
- Menu de paramétrage OSD.
- Prise péritel pour appareils externes (appareil vidéo, jeu vidéo, appareil audio, etc.)
- Système de son stéréo.
- Télétexte.
- Branchement du casque
- Système d'auto programmation.
- Réglage manuel.
- L'arrêt automatique après plus de six heures de temps.

- Arrêt programmé.
- Verrouillage parental.
- Coupure du son automatique quand il n'y a aucune transmission.
- Lecture NTSC.
- AVL (Limitation Automatique du Volume)
- PLL (Recherche de Fréquence).
- Entrée PC.
- Plug&Play (branchement et utilisation instantanée) pour Windows 98, ME, 2000, XP, Vista.
- Mode Jeux (en option).

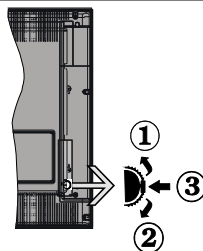
#### Accessoires inclus.

- Télécommande
- Batteries : 2 x AAA
- Manuel d'utilisation

#### Boutons de commande du téléviseur



#### le bouton de contrôle & Fonctionnement de TV



1. Direction précédente
2. Direction suivante
3. Programme/Volume / AV / Veille sur commande de sélection

Le commutateur vous permet de contrôler les fonctions de volume/Programme/Source et activation du mode veille de votre téléviseur.

**Pour ajuster le volume:** Augmentez le volume en appuyant sur le bouton Haut. Diminuez le volume en appuyant sur le bouton Bas.

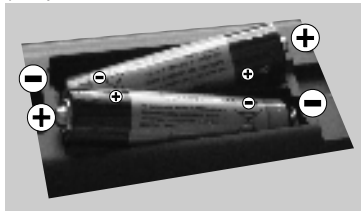
**Pour changer de chaîne:** Appuyer sur la partie centrale du bouton pour faire apparaître à l'écran les informations sur la canal. Parcourez les chaînes mémorisées en appuyant sur le bouton Haut ou Bas.

**Pour modifier la source:** Appuyer deux fois sur la partie centrale du bouton pour faire apparaître à l'écran la liste de sources. Parcourez les sources disponibles en appuyant sur le bouton Haut ou Bas.

**Pour éteindre le téléviseur :** Appuyez au milieu du bouton Bas et maintenez-le enfoncé pendant quelques secondes jusqu'à ce que le téléviseur passe en mode Veille.

#### Insertion des piles dans la télécommande

Soulever le couvercle situé à l'arrière de la télécommande. Insérer deux piles **AAA**. S'assurer que les extrémités + et - des piles correspondent dans le compartiment de piles (respecter la bonne polarité). replacer le couvercle de la télécommande.

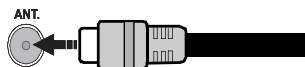


#### Branchez le câble d'alimentation

**IMPORTANT:** Le téléviseur a été conçu uniquement pour fonctionner avec une prise de **220-240V AC, 50 Hz** Après avoir retiré la TV de l'emballage, attendez un moment pour que la TV atteigne la température ambiante avant de brancher la TV à la prise de courant. Branchez le câble d'alimentation à la prise secteur.

#### Branchement de l'antenne

Branchez l'antenne ou à la prise d'ENTRÉE DE L'ANTENNE (ANT) située à l'arrière de la TV.



#### Notification

Fabriqué sous licence de Dolby Laboratories.

#### RECONNAISSANCE DE MARQUE COMMERCIALE

"Dolby" et le symbole du double D sont des marques commerciales de Dolby Laboratories.



HDMI, le logo de HDMI et l'Interface des médias multiples de haute définition sont des appellations ou des appellations enregistrées de HDMI Licensing LLC.



#### Informations applicables aux utilisateurs concernant la mise au rebut de l'ancien appareil et des piles

##### [Seulement Union européenne]

Ce symbole indique que l'équipement ne doit pas être éliminé comme un déchet domestique. Si vous devez éliminer le poste ou les piles, veuillez considérer les systèmes ou infrastructures de collecte pour un recyclage approprié.

**Remarque:** Le signe Pb qui se trouve au dessus des piles indique que la batterie en question concerne du plomb.



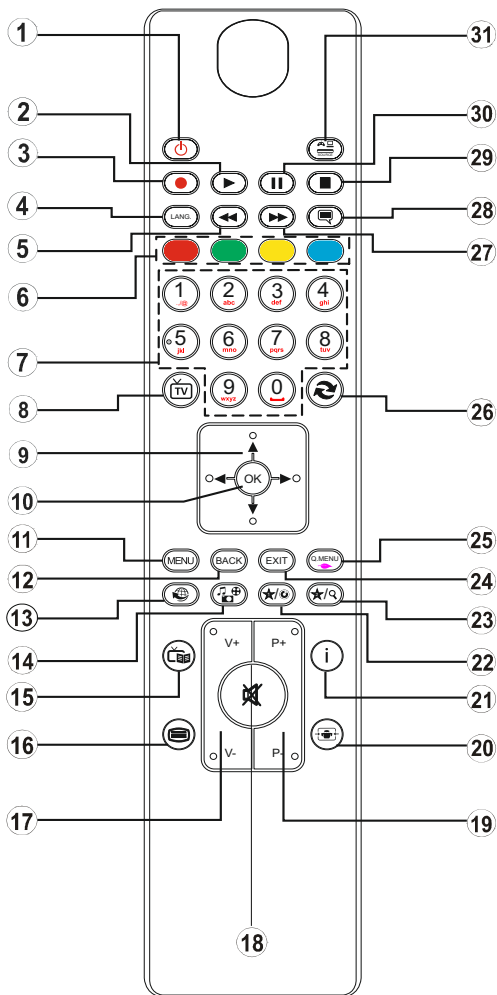
Batterie

Produits

#### Détails techniques

Emission TV	VHF (BAND I/III) - UHF (BAND U) - HYPERBAND
Chaînes réceptives	1000
Nombre de chaînes prédéfinies	Affichage à l'écran
Indicateur de chaîne (Channel Indicator)	75 Ohms (Non équilibré)
Entrée d'antenne RF	220-240V AC, 50Hz.
Voltage de fonctionnement	Allemand+Nicam Stéréo
Audio	German+Nicam Stereo
PUISSANCE DE SORTIE AUDIO (WRMS.) (10% THD)	2 x 2,5
Consommation d'énergie	45 W
Poids	3,70
TV Dimensions DxLxH (with foot)	134 x 516 x 353
TV Dimensions DxLxH (without foot)	35 x 516 x 317
Humidité et température de fonctionnement :	de 5°C à 45°C, 85% d'humidité

## Télécommande



1. Veille
2. Lecture
3. Aucune fonction
4. Langue en cours sélectionner
5. Retour rapide
6. touches de couleur
7. Touches numériques
8. Liste des chaînes
9. Boutons de navigation
10. OK / Select
11. Menu marche/arrêt
12. bouton Retour / Page d'index (en mode TXT)
13. Aucune fonction\*
14. Navigateur média\*\*
15. Guide électronique de programme
16. Télétexte
17. Volume haut/bas
18. bouton pour couper le son
19. Programme haut/bas (Programme Up/Down)
20. modes d'écran
21. Info / Afficher (en mode TXT)
22. Mon bouton 1
23. Mon bouton 2
24. Quitter
25. Q. Menu
26. Echanger Chaînes
27. Avance rapide
28. Sous-titre Marche-Arrêt
29. Stop
30. Pause
31. Source / AV

### Télétexte

Appuyez sur la touche pour entrer. Appuyez à nouveau pour activer le mode Mélanger. Appuyez une nouvelle fois pour quitter. Suivez les instructions affichées à l'écran télétexte numérique.

### Télétexte numérique (Réservé au RU)








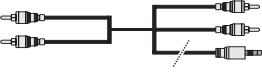


















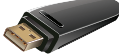
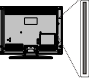


Appuyez sur la touche pour afficher les informations relatives au télétexte numérique. Utilisez les touches colorées, les touches du curseur et la touche **OK**. La méthode de fonctionnement peut différer selon le contenu du télétexte numérique. Suivez les instructions affichées à l'écran télétexte numérique. Quand le bouton est pressé, la TV revient à la diffusion télévisée.

#### Utilisation de Mon bouton 1 (\*\*)

Une fois sur une source, une chaîne, ou un lien souhaité, appuyez sur **MON BOUTON 1** pendant cinq secondes, jusqu'à ce que le message « MON BOUTON EST REGLÉ » s'affiche à l'écran. Ce message confirme que l'option **MON BOUTON** sélectionnée est à présent associée à la fonction sélectionnée.

#### Utilisation de Mon bouton 2 (\*\*\*)

Une fois sur une source, une chaîne, ou un lien souhaité, appuyez sur **MON BOUTON 2** pendant cinq secondes, jusqu'à ce que le message « MON BOUTON EST REGLÉ » s'affiche à l'écran. Ce message confirme que l'option **MON BOUTON** sélectionnée est à présent associée à la fonction sélectionnée.

Connecteur	Type	Câbles	Appareil
	Péritel Branchement (arrière)		
	VGA Branchement (arrière)		
AV SUR CÔTÉ 	PC/YPbPr Audio Branchement (côté)	 Audio Câble de connexion YPbPr (Non fourni)	
	HDMI Branchement (arrière)		
 SPDIF	SPDIF Branchement (arrière)		
AV SUR CÔTÉ 	AV latéral Audio / Vidéo Branchement (côté)	 (Non fourni)	
 CASQUE	Casque Branchement (côté)		
	YPbPr Video Branchement (arrière)	 PC to YPbPr Branchement du câble (Non fourni)	
	USB Branchement (côté)		
	CI Branchement (côté)		

**REMARQUE:** Quand vous branchez un périphérique via l'entrée AV latérale, vous devez utiliser le branchement des câbles pour activer la connexion. Voir l'illustration ci-dessus | Vous pouvez utiliser un câble YPbPr à VGA (non fourni) pour activer le signal YPbPr via l'entrée du VGA. | Vous ne saurez utiliser le VGA et le YPbPr de façon interchangeable. | Pour activer audio PC, vous devrez utiliser Les entrées rouges et blanches du câble pour prise AV latérale fourni | Si un périphérique externe est branché à l'aide des prises PÉRITEL, le téléviseur passe automatiquement en mode AV. | Pendant la réception des chaînes DTV (Mpeg 4 H. 264) ou en mode Navigateur multimédia, la sortie ne sera pas disponible à travers la prise péritel. | Lorsque vous utilisez le kit de montage mural fourni, Il est recommandé de brancher tous vos câbles à l'arrière du téléviseur avant tout montage mural. | Insérez ou effacez le module CI uniquement lorsque le téléviseur est ETEINT. Consultez le manuel d'instructions du module pour plus d'informations sur les réglages.

### Installation initiale- Connexions USB

#### Mise sous/hors tension

##### Mise sous tension du téléviseur

Branchez le cordon d'alimentation à une prise de 220-240V AC, 50 Hz.

Pour allumer le téléviseur à partir du mode veille, vous pouvez soit :

Presser le bouton "⏻", **P+/P-** ou un bouton numérique sur la télécommande.

Appuyez le commutateur de la fonction côté jusqu'à ce que la TV passe en mode de veille.

##### Éteindre le téléviseur

Appuyez sur le bouton "⏻" de la télécommande ou sur le commutateur de la fonction de cotés jusqu'à ce que la TV passe en mode de veille.

**Pour éteindre complètement le téléviseur, débranchez le cordon d'alimentation de la prise secteur.**

*Remarque: Lorsque le téléviseur est en mode veille, le voyant lumineux du mode veille clignote pour signifier que des options comme Recherche en mode veille, téléchargement automatique ou Minuterie sont actives. La DEL peut également clignoter lorsque vous allumez le téléviseur à partir du mode de veille.*

#### Première installation

Lorsque le téléviseur est mis en marche pour la première fois, le menu pour la sélection de la langue apparaît. Sélectionnez la langue de votre choix et appuyez sur OK.

L'écran d'installation initiale (FTI) s'affiche lors de la première installation. Réglez vos préférences en utilisant les boutons de navigation. Lorsque vous aurez terminé, appuyez sur OK pour continuer.

Vous pouvez activer **le mode de mémorisation** dans le menu "Autres paramètres" et les fonctionnalités de votre téléviseur s'afficheront dans la partie supérieure de l'écran. Une boîte de dialogue de confirmation s'affiche. Sélectionnez **OUI** pour continuer.

Si le mode Domicile est sélectionné, le mode de Mémorisation ne sera plus disponible après la première installation. Appuyez sur la touche **OK** pour continuer.

**Le code PIN par défaut peut changer en fonction du pays sélectionné.**

Si un code PIN est exigé pour afficher une option du menu, entrez l'un des codes suivants : 4725. 0000 ou 1234.

#### Installation de l'antenne

Si vous sélectionnez l'option **ANTENNE** à partir de l'écran **Type de recherche** la télévision numérique recherchera les diffusions terrestres numériques.

 **REMARQUE:** Vous pouvez appuyer sur la touche **MENU** pour annuler.

Une fois toutes les stations disponibles enregistrées, la liste des chaînes s'affichera à l'écran. Si les chaînes retrouvées vous intéressent, en fonction du LCN(\*), veuillez sélectionner Oui, puis appuyez sur **OK**.

Appuyez sur le bouton **MENU** pour quitter la liste des chaînes et regarder la télé.

(\* ) LCN Système de numéro de chaîne logique qui organise les diffusions disponibles conformément à la séquence de chaîne reconnaissable (si disponible).

#### Lecture de média via entrée USB

*Vous pouvez connecter des disques durs externes de 2,5" et 3,5"pouces (disques durs avec câble d'alimentation externe) ou une carte mémoire à votre TV via les entrées USB de votre TV.*

**IMPORTANT !** Sauvegardez vos fichiers avant d'effectuer tout branchement à la TV. Veuillez remarquer que la responsabilité du fabricant ne saurait être engagée en cas de dommage de fichier ou de perte de données. Certains types de périphériques USB (à l'exemple des lecteurs MP3) ou des lecteurs de disque dur/cartes mémoires USB peuvent être incompatibles avec ce téléviseur.







Pendant le formatage d'un disque dur USB d'une capacité de 1TO (Tera Octet), il peut arriver que vous soyez confronté à certains problèmes au cours du processus de formatage. Évitez de brancher et de débrancher le lecteur avec une certaine rapidité. Ceci peut physiquement endommager le lecteur USB et surtout le périphérique USB lui-même. Ne jamais enlever l'USB durant la lecture d'un fichier.



## Menu Navigateur média

Vous pouvez lire les fichiers de photo, de musique, et de film stockés sur un disque USB en connectant ce dernier à votre téléviseur. Branchez un disque USB à l'une des entrées USB située sur le côté du téléviseur. En appuyant le bouton **MENU** lorsque vous êtes encore en mode navigateur média, vous aurez accès aux options d'image, de son et menus de réglage. En appuyant une fois de plus sur le bouton **MENU** l'écran disparaîtra. Vous pouvez régler les préférences de votre navigateur média via votre menu de réglages.

### Fonctionnement du mode Aléatoire/Boucle

Démarrez la lecture avec  et activez 	Le téléviseur lit le fichier suivant et boucle la liste.
Démarrez la lecture avec  et activez 	le même fichier sera lu dans une boucle (répété).
Démarrez la lecture avec OK/  et activez 	le fichier sera lu de manière aléatoire.

## Menu Rapide

Le menu de paramètres rapides permet de accéder rapidement certaines options. Ce menu inclut Mode Économie d'énergie, Mode image, les paramètres de l'égaliseur, les favoris et Options d'arrêt programmé. • Appuyez sur la touche MENU R. de la télécommande pour afficher le menu rapide. Voir les chapitres suivants pour les détails des fonctions énumérés

Contenu du menu Image	
<b>Mode</b>	Vous pouvez modifier le mode d'image selon vos préférences ou exigences. Le mode Image peut être réglé sur l'une de ces options: <b>Cinéma</b> , <b>Jeu</b> , <b>Dynamique</b> et <b>Naturel</b> .
<b>Contraste</b>	Règle les valeurs de l'éclairage et de l'obscurité de l'écran.
<b>Luminosité</b>	Règle la valeur de luminosité de l'écran.
<b>Netteté</b>	Définit la valeur de netteté des objets affichés à l'écran.
<b>Couleur</b>	Règle la valeur de la couleur, règle les couleurs.
<b>Mode Économie d'énergie</b>	Définir le mode Economie d'énergie sur Eco, Image Désactivée, et Désactivé. (Lorsque le mode est dynamique, l'économie d'énergie est automatiquement désactivé.)
<b>Rétro éclairage (en option)</b>	Ce paramètre contrôle le niveau de rétro éclairage. La fonction de rétro éclairage sera inactive si le mode Économie d'énergie est réglé sur Éco. Le mode rétro éclairage ne peut être activé en mode VGA, mode Navigateur multimédia ou lorsque le mode Image est défini sur Jeu.
<b>Réduction du bruit</b>	Si le signal de diffusion est faible et que l'image est bruyante, utilisez la fonctionnalité <b>réduction du bruit</b> pour réduire l'intensité du bruit.
Paramètres avancés	
<b>Contraste dynamique</b>	Vous pouvez régler le rapport de contraste dynamique à votre guise.
<b>Température de couleur</b>	Règle le ton de la couleur désirée.
<b>Zoom image</b>	Réglez la taille des images dans le menu de zoom des images. <b>Remarque:</b> Auto (Disponible uniquement en mode Scart avec SCART PIN8 commutateur tension élevée/faible)
<b>HDMI True Black</b>	Lorsque vous regardez le téléviseur à partir de la source HDMI, cette option est visible dans le menu Paramètres de l'image. Vous pouvez utiliser cette option pour renforcer la noirceur de l'image.
<b>Mode Film</b>	Les films sont enregistrés à un nombre d'images par seconde différent des programmes de télévision normaux. Activez cette fonction lorsque vous regardez des films afin de mieux visualiser les images accélérées.
<b>Couleur de peau</b>	La fonction skin tone peut être modifiée entre -5 et 5.
<b>Changer de couleur</b>	Règle le ton de la couleur désirée.
<b>Gain RGB</b>	Vous pouvez configurer les valeurs de la température de couleur à l'aide de la fonctionnalité Gain RGB.
<b>Réinitialiser</b>	Réinitialise les paramètres d'image aux valeurs par défaut.(sauf en mode Jeu)
<b>Autoposition (en mode PC)</b>	Optimise automatiquement l'affichage. Appuyez sur OK pour optimiser.
<b>Position H (en mode PC)</b>	Cette rubrique change l'image horizontalement vers le côté droit ou gauche de l'écran.
<b>Position V (en mode PC)</b>	Cet élément déplace l'image verticalement vers le haut ou le bas de l'écran.
<b>Fréquence pilote (en mode PC)</b>	Les réglages de la fréquence pilote corrigent les interférences qui apparaissent comme des lignes verticales dans l'image pour des présentations telles que les feuilles de calcul, les paragraphes ou les textes dans des polices plus petites.
<b>Phase (en mode PC)</b>	Selon la résolution et la fréquence de balayage que vous saisissez pour le téléviseur, vous pouvez voir une image voilée ou bruitée à l'écran. Dans un tel cas vous pouvez utiliser cet élément pour obtenir une image claire par essais et erreurs.
<i>En mode VGA (PC), certains éléments du menu Image seront indisponibles. Au contraire, les paramètres du mode VGA seront ajoutés aux paramètres Image en mode PC.</i>	

Contenu du menu Son	
<b>Volume</b>	Ajuste le niveau du volume.
<b>Égaliseur</b>	Sélectionne le mode égaliseur Les paramètres personnalisés ne peuvent être actifs que lorsque vous êtes en mode utilisateur.
<b>Balance</b>	Ce paramètre s'utilise pour accentuer la balance des haut-parleurs gauche ou droit.
<b>Casque</b>	Règle le volume du casque.
<b>Mode Son</b>	Vous pouvez sélectionner un mode de son. (Si la chaîne sélectionnée supporte).
<b>AVL (Limitation Automatique du Volume)</b>	Cette fonction règle le son pour obtenir le niveau de sortie prévue entre les programmes.
<b>Sortie Digitale</b>	Règle le type de sortie audio numérique.
Contenu du menu Réglages	
<b>Accès conditionnel</b>	Contrôle les modules d'accès conditionnel lorsqu'ils sont disponibles.
<b>Langue</b>	Configure les paramètres linguistiques (-peuvent varier en fonction du pays sélectionné). Les paramètres préférés et ceux en cours seront disponibles. Les réglages en cours ne peuvent être modifiés que si le diffuseur les prend en charge.
<b>Parental</b>	Entrez le mot de passe correct pour modifier les réglages du contrôle parental. Vous pouvez facilement régler le verrouillage du menu, le contrôle parental (peut varier en fonction du pays sélectionné) à partir de ce menu. Vous pouvez également entrer un nouveau code pin.
<b>Minuteries</b>	Définit la minuterie sommeil pour éteindre le téléviseur après un certain temps. Règle les minuteries des programmes sélectionnés.
<b>Date/Heure</b>	Sélection de la date et de l'heure.
<b>Sources</b>	Active ou désactive les options sources sélectionnées.
Autres réglages: Affiche les autres options de réglage du téléviseur :	
<b>Temporisation du menu</b>	Change la durée de temporisation des écrans de menu.
<b>Recherche chaînes codées</b>	Lorsque ce paramètre est ACTIVÉ, le processus de recherche localisera également les chaînes cryptées.
<b>Fond bleu</b>	Active ou désactive le système du fond bleu quand le signal est faible ou absent.
<b>Mise à jour du logiciel</b>	Pour garantir que votre TV dispose toujours d'informations actualisées.
<b>Version de l'application:</b>	Affiche Version de l'application.
<b>Malentendant</b>	Active toute fonctionnalité spéciale envoyé par le diffuseur.
<b>Description Audio</b>	La description audio renvoie à une piste de narration supplémentaire réservée aux déficients visuels et malentendants. Vous ne pouvez utiliser cette option que si le diffuseur la prend en charge.  <i>Remarque: La fonctionnalité de description audio du son ne peut pas être disponible lors de l'enregistrement ou quand on est en mode décalage temporel.</i>

## Options et fonctions du menu TV

<b>Mise hors tension automatique du téléviseur</b>	Vous pouvez définir la valeur de temporisation de l'option de mise hors tension automatique du téléviseur. Après avoir atteint la valeur de temporisation, si le téléviseur ne fonctionne pas suivant l'heure sélectionnée, il passera en mode de veille.
<b>Recherche en mode Veille (en option)</b>	Si l'option Recherche en mode de veille est définie sur Activé, lorsque le téléviseur est en mode de veille, les chaînes disponibles seront recherchées. Si le téléviseur trouve des chaînes manquantes ou nouvelles, un écran de menu s'affichera, vous demandant si vous souhaitez appliquer ou non ces changements. La liste des chaînes sera mise à jour et modifiée après ce processus.
<b>Mode Magasin</b>	Si vous regardez la télévision dans un magasin, vous pouvez activer ce mode. Whilst Store Lorsque ce mode est activé, certains éléments du menu de la TV ne peuvent pas être disponibles.
<b>Allumer le mode</b>	Ce paramètre permet de configurer les préférences du mode de mise sous tension.
<b>Installation et Réglage Le Contenu du Menu</b>	
<b>Balayage de chaîne automatique (Nouveau réglage) (si disponible)</b>	Affiche les options de réglage automatique. Antenne numérique : Recherche et enregistre les chaînes DVB. Analogique : Recherche et mémorise les stations analogiques. Antenne analogique et numérique : Recherche et enregistre les chaînes DVB et analogiques .
<b>Balayage de chaîne manuel</b>	Cette fonction peut être utilisée pour une entrée de diffusion directe.
<b>Recherche des chaînes réseau</b>	Recherche les chaînes liées dans le système de diffusion.
<b>Réglage fin (analogique)</b>	Vous pouvez utiliser ce réglage pour la recherche fine de chaînes analogiques. Cette option est disponible uniquement si des chaînes analogiques sont mémorisées.
<b>Première installation</b>	Supprime toutes les chaînes et réglages enregistrées, reprogramme la TV en fonction des réglages de l'entreprise.

## Fonctionnement général de la TV

### Utilisation de la liste de chaînes

Le téléviseur trie toutes les stations mémorisées dans la liste des chaînes. Vous pouvez modifier cette liste de chaînes, configurer les favoris ou les stations actives à inclure dans la liste en utilisant les options Liste de chaînes.

### Configuration des paramètres parentaux

*Pour éviter que certains programmes soient regardés, des chaînes et des menus peuvent être verrouillés grâce au système de contrôle parental.*

Pour afficher les options du menu de verrouillage, saisissez le code PIN. Par défaut, ce code est réglé en usine à **0000**. Après avoir saisi le code PIN approprié, le menu Paramètres parentaux s'affichera :

**Verrouillage Menu:** L'option Verrouillage Menu active ou désactive l'accès au menu.

**Verrouillage Maturité:** Après installation, cette option recherche l'information relative aux émissions parentales et si ce niveau parental a été inactivé, l'accès à la diffusion n'est pas activé.


**Verrouillage parental:** Lorsque l'option Verrouillage Parental est sélectionnée, le téléviseur peut uniquement être contrôlé à l'aide de la télécommande. Dans ce cas, les boutons du panneau de contrôle ne fonctionneront pas.

**Paramétrage du code PIN:** Définit un nouveau code PIN.

**Le code PIN par défaut peut changer en fonction du pays sélectionné.**

*Si un code PIN est exigé pour afficher une option du menu, entrez l'un des codes suivants : 4725, 0000 ou 1234.*

### Guide électronique de programmes (EPG)



Certaines chaînes, mais pas toutes, affichent des informations portant sur l'émission en cours et l'émission suivante. Appuyez sur le bouton  pour accéder au menu EPG.


**Touche rouge (Jour précédent)** affiche les programmes du jour précédent.

**Touche verte (Jour suivant):** affiche les programmes du jour suivant.

**Touche jaune (Zoom):** Affiche davantage d'informations concernant le programme.

**Touche bleue (Filtre) :** Affiche les options de filtre.

 : Appuyez sur la touche  pour voir le menu du genre sélectionné. En utilisant cette fonctionnalité vous pouvez interroger la base de données du guide de programme selon le genre sélectionné. Les informations disponibles dans le guide des programmes seront recherchées et les résultats correspondants à vos critères seront listés.

 : Affiche des informations détaillées sur le programme sélectionné.

**Boutons numériques (Sauter):** aller directement à la chaîne préférée via des boutons numériques.

**OK :** Affiche les options de répétition.

**Texte (Chercher):**Affiche le menu "**Guide Search**" (Recherche guide).

**SWAP(Maintenant) :** Affiche le programme en cours.

### Mise à jour du logiciel

Votre TV peut grâce à l'antenne ou au câble rechercher et effectuer les mises à jour.

### Recherche de mise à jour de logiciels à travers l'interface utilisateur

Parcourez simplement le menu principal. Choisissez **Paramètres** et sélectionnez le menu **Autres paramètres**. Dans le menu **Autres paramètres**, sélectionnez l'élément **Mise à jour de logiciel** et appuyez sur le bouton **OK** pour ouvrir le menu Options de mise à jour

### 3 Recherche et mode de mise à jour

Lorsque la TV reçoit le signal de l'antenne. Si l'option Recherche automatique du menu Options de mise à jour est active, le téléviseur se met automatiquement en marche à 3 heures du matin et lance la recherche de chaînes de diffusion pour la mise à jour du nouveau logiciel. Si un nouveau logiciel est trouvé et téléchargé avec succès, le téléviseur commence à fonctionner avec la nouvelle version du logiciel au prochain démarrage.

*Remarque: Si la TV ne s'allume pas après la mise à jour, débranchez la pour 2 minutes avant de la débrancher.*

### Dépannage et astuces

#### La TV va s'allumer

Veillez à ce que le câble d'alimentation soit branché en toute sécurité dans la prise murale. Les piles qui se trouvent dans la télécommande peuvent être déchargées. Appuyez sur l'interrupteur du téléviseur ou

#### Mauvaise qualité d'image

- Avez-vous sélectionné le système de TV approprié ?
- Un niveau de signal faible peut impacter négativement sur la qualité de l'image. Veuillez vérifier l'entrée de l'antenne.
- Si vous avez effectué un réglage manuel, vérifiez que vous avez entré la bonne fréquence de la chaîne
- La qualité d'image peut se dégrader lorsque deux périphériques sont connectés au téléviseur en même temps. Dans un tel cas, déconnectez l'un des appareils.

## **Pas d'image**

- Aucune image signifie que votre téléviseur ne reçoit aucune transmission. Avez-vous appuyé sur les boutons appropriés de la télécommande? Essayez une nouvelle fois. Assurez-vous également que la bonne source d'entrée a été sélectionnée.
- Est-ce que l'antenne est correctement branchée ?
- Est-ce que le câble d'antenne est endommagé ?
- Les fiches appropriées sont-elles utilisées pour brancher l'antenne?
- En cas d'incertitudes, veuillez contacter votre fournisseur.

## **Pas de son**

- Est-ce que le téléviseur est réglé pour couper le son? Pour annuler la coupure de son, appuyez sur le bouton "X", ou augmenter le volume.
- Le son sort d'un seul haut-parleur. Est-ce que la balance est à l'extrémité d'une direction ? Consultez le menu Son.

## **La télécommande - ne fonctionne pas**

- Les piles peuvent être déchargées. Remplacez les piles.

## **Les sources d'entrée - ne peuvent pas être sélectionnées.**

- Si vous ne pouvez sélectionner aucune source d'entrée, il est possible qu'aucun périphérique ne soit connecté.
- Vérifiez les câbles AV et les branchements si vous avez essayé de brancher un appareil.

## Modes d'affichage typiques d'une entrée de PC

Le tableau ci-après est une illustration de quelques modes d'affichage vidéo typiques. Votre téléviseur ne peut pas prendre en charge toutes les résolutions. Votre téléviseur prend en charge jusqu'à 1920x1080.

Index	Resolution	Frequency
1	1024x768	60 Hz
2	1280x768	60 Hz
3	1360x768	60 Hz
4	800x600	56 Hz
5	800x600	60 Hz
6	1024x768	60 Hz
7	1024x768	66 Hz
8	1280x768	60 Hz
9	1360x768	60 Hz
10	1280x1024	60 Hz
11	1280x960	60 Hz
12	1280x1024	60 Hz
13	1400x1050	60 Hz
14	1600x1200	60 Hz
15	1920x1080	60 Hz

## Compatibilité des signaux AV et HDMI

Source	Signaux pris en charge		Disponible
EXT SCART	PAL 50/60		O
	NTSC 60		O
	RGB 50		O
	RGB 60		O
AV latéral	PAL 50/60		O
	NTSC 60		O
PC/YBPBR	480I, 480P	60Hz	O
	576I, 576P	50Hz	O
	720P	50Hz 0,60Hz	O
	1080I	50Hz 0,60Hz	O
	1080P	50Hz 0,60Hz	O
HDMI1	480I	60Hz	O
	480P	60Hz	O
	576I, 576P	50Hz	O
	720P	50Hz 0,60Hz	O
	1080I	50Hz 0,60Hz	O
	1080P	24Hz, 25Hz	O
		30Hz, 50Hz, 60Hz	

(X: Non disponible, O: Disponible)

Dans certains cas, un signal sur l'écran du téléviseur peut ne pas s'afficher correctement. Le problème peut être une incompatibilité avec les normes de l'équipement source (DVD, décodeur, etc.). Si vous rencontrez un tel problème, veuillez contacter votre fournisseur et le fabricant de l'appareil source.

## Formats de fichier pris en charge pour le mode USB

Média	Extension de fichier	Format		Remarques (Résolution maximale/Débit binaire, etc.)
		Vidéo	Audio	
Film	mpg, mpeg	MPEG1, MPEG2		MPEG1 : 768x576 @30P MPEG2 : 1920x1080 @ 30P
	vob	MPEG2		1920x1080 @ 30P
	mp4	MPEG4, Xvid , H.264		
	mkv	H.264, MPEG4, VC-1		
	avi	MPEG2, MPEG4, Xvid , H.264		
	flv	H.264/VP6/Sorenson		H.264/VP6: 1920x1080 @ 30P Sorenson: 352x288 @30P
	3gp	MPEG4, H.264		1920x1080 @ 30P
Musique	.mp3	-	MPEG 1 Layer 1 / 2 (MP3)	32Kbps ~ 320Kbps (Débit binaire) 32K, 44.1k, 48k Hz, 16K, 22.05K, 24K Hz, 8K, 11.025K, 12K Hz (Taux d'échantillonnage) max WxH = 17000x10000
Photo	.jpg .jpeg	JPEG de base	-	4147200octets max WxH = 4000x4000
	.	JPEG Progressif	-	3840000octets
	.bmp	-	-	max WxH = 9600x6400 3840000octets
Sous-titre	.sub .srt	-	-	-

# Mode DVD

## Consignes de sécurité

### AVERTISSEMENT

Le lecteur de DVD est un produit laser de classe 1. Cependant, il utilise un rayon laser visible pouvant vous exposer à des radiations dangereuses. Utilisez correctement ce lecteur en suivant les instructions.

## PRODUIT LASER DE CLASSE 1

### RISQUE D'ELECTROCUTION

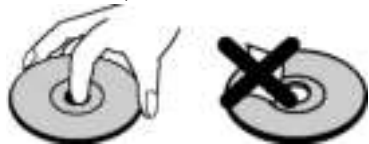
La tête de flèche clignotante à l'intérieur d'un triangle équilatéral sert à prévenir l'utilisateur de la présence, à l'intérieur de l'appareil, d'une forte tension mal isolée et suffisamment puissante pour éventuellement électrocuter quelqu'un.

Le point d'exclamation à l'intérieur d'un triangle équilatéral a pour fonction d'alerter l'utilisateur de la présence d'instructions importantes pour le bon fonctionnement et l'entretien (maintenance) dans la documentation fournie avec l'appareil.

### Remarques sur les disques

#### Comment manipuler vos disques

- Pour garder le disque propre, tenez-le par ses bords. Ne touchez pas la surface.
- Ne collez pas de papier ou de ruban adhésif sur le disque.
- Si le disque est sali par n'importe quelle substance, par ex. de la colle, enlevez-la avant de l'utiliser.



- N'exposez pas le disque directement à la lumière solaire ou à des sources de chaleur telles que les conduits d'air chaud et ne le laissez pas dans une voiture garée en plein soleil, où la température peut monter rapidement et endommager le disque.
- Après usage, rangez le disque dans son boîtier.

## Nettoyage

- Avant d'utiliser, nettoyez le disque avec un chiffon. Frottez le disque, du centre vers le bord.



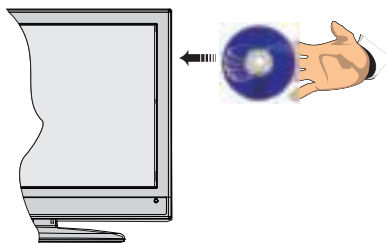
- N'utilisez pas de solvants tel que le benzène ou les diluants, ni les produits nettoyants disponibles dans le commerce et les atomiseurs antistatiques prévus pour les disques vinyle.

### Notification de licence

- Ce produit incorpore la technologie de protection de copyright qui est protégée par des brevets des ETATS-UNIS et autres droits de propriété intellectuelle. L'utilisation de cette technologie doit être autorisée par Rovi Corporation et est destinée à un usage personnel, ou dans tous les cas limité, à moins d'une autorisation exceptionnelle de Rovi Corporation. Le désossage ou le démontage est interdit.

### Comment Regarder un DVD

Lorsque vous introduisez un disque dans le chargeur, assurez-vous que le côté portant l'étiquette est orienté vers le haut:



Lorsque le téléviseur est mis sous tension, basculez d'abord en source DVD en utilisant le bouton **SOURCE** de la télécommande. Appuyez sur la touche Lecture de la télécommande ou appuyez directement sur le bouton Play du panneau avant de l'appareil. En cas d'absence de disque dans le chargeur, introduisez-en et appuyez sur Play.

**Remarque:** Si vous passez à une autre source en appuyant sur **SOURCE**, **SWAP** ou en vous servant des boutons **P+/P-** de la télécommande, la lecture du DVD s'arrête automatiquement. Vous devez appuyer sur **LECTURE** et reprendre manuellement la lecture lorsque vous repassez au mode DVD.



# Boutons du panneau de contrôle du DVD

## A. Chargeur de disques

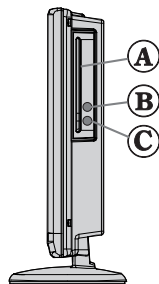
## B. Lecture / Pause

Lit/Pause le disque. Lorsque le menu DVD (menu principal) est activé, ce bouton fonctionne comme « bouton de sélection » (Sélectionne la rubrique mise en surbrillance dans le menu) si le disque prend en charge cette fonctionnalité.

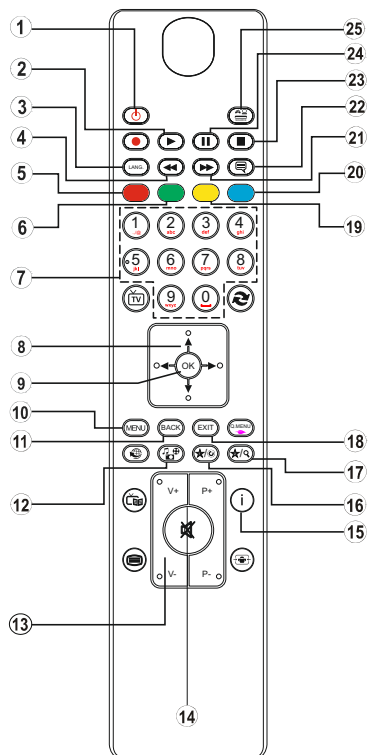
## C. Stop / Ejecter

Arrête la lecture du disque / Éjecte ou charge le disque :

- Vous ne pouvez pas éjecter le disque à l'aide de la télécommande.
- Lors de la lecture d'un fichier, vous devez appuyer sur le bouton STOP trois fois pour pouvoir éjecter le disque.










1. Veille
2. Lecture
3. Aucune fonction
4. Sélection de langue (Définir langue)
5. Zoom
6. Répétition
7. Touches numériques
8. Boutons de navigation
9. OK
10. Menu
11. Retour
12. Angle
13. Volume haut/bas
14. Muet
15. Info
16. Mon bouton 1 / Temps d'affichage / Menu DVD
17. Mon bouton 2 / Mode recherche
18. Quitter
19. Racine
20. Titre
21. Avance rapide
22. Sous-titre
23. Arrêter
24. Pause
25. AV / Sélection de la Source



## Fonctionnement général

Vous pouvez lire le contenu des DVD et CD de film, musique ou image en vous servant des touches appropriées qui se trouvent sur votre télécommande. Les fonctions principales ci-après sont celles des touches de télécommande communément utilisées.

Touches de la télécommande	Lecture du DVD Transmission en différé	Film Transmission en différé	Lecture de l'image	Lecture de la musique
	Lecture	Lecture	Lecture	Lecture
	Pause	Pause	Pause	Pause
	Stop	Stop	Stop	Stop
	Saut arrière/avant	Saut arrière/avant	Pivoter	Saut arrière/avant
	Sélectionne la rubrique de menu / Déplace l'image zoomée vers le haut ou vers le bas (si disponible).			
	Retour rapide /Avance rapide			
	Présente l'image à partir de différents angles (si disponible)		Change l'effet du curseur (en fonction du contenu)	X
<b>MON BOUTON 1</b>	Affiche le temps / présente le menu de configuration principal			
<b>INFO</b>	Sélection du mode Chronoscope (pendant la lecture). Appuyez continuellement pour passer d'un mode à l'autre.			
<b>LANG.</b>	Langue audio.		X	X
<b>MENU</b>	Affiche le menu du téléviseur.			
<b>OK / SELECT</b>	Entrée / Affichage / Lecture			
<b>VERT</b>	Affiche les options de répétition.			
<b>RETOUR</b>	Retour au menu précédent (si disponible)			
<b>JAUNE</b>	Retour au dossier racine (si disponible)			
<b>MODE RECHERCHE (*)</b>	Sélection directe des scènes ou du temps.		Sélectionne le fichier souhaité.	Sélectionne le fichier souhaité.
<b>MON BOUTON 2</b>	Sous-titre Marche-Arrêt. Appuyez continuellement pour passer d'une option de sous-titre à l'autre.		X	X
<b>ECHANGE</b>	Sélection du média source.			
<b>BLEUE</b>	Affiche le menu du disque (si disponible).	Affiche le menu du disque (si disponible).	X	X
<b>ROUGE</b>	Agrandit l'image. Appuyez continuellement pour passer d'une option de zoom à l'autre.			

Autres fonctions – combinaisons de touches (Lors de la lecture)	
+ ►►	Ralenti avant.
[    + ►► ] + ◀◀ ►►	Ralenti la vitesse avant
►► + ►►	Règle la vitesse d'avance rapide.
◀◀ + ◀◀	Règle la vitesse rapide inverse.
■ + ■	Confirmation de la touche Stop.
+ ►►	Appuyez ►►  continuellement sur la touche pour faire avancer manuellement

(\*) Vous pouvez passer au titre en appuyant directement sur les touches numériques. Vous devez appuyer sur 0, puis sur une autre touche numérique pour obtenir le numéro souhaité (exemple: pour sélectionner 5, appuyez sur 0 et 5.)

## Lecture générale

### Lecture de base

1. Appuyez sur le bouton d'alimentation.
2. Veuillez insérer un disque dans le tiroir disque. Le disque est chargé automatiquement et la lecture commence si le disque ne comporte pas de menus. Il est possible qu'un menu apparaisse sur l'écran du téléviseur après quelques instants, ou que le film commence immédiatement après la présentation de la compagnie cinématographique. Tout dépend du contenu du disque car cela peut changer.

**Remarque:** Les étapes 3 et 4 ne sont possibles que si le disque comporte un menu.

3. Appuyez sur "▼" / "▲" / ◀ / ▶ ou sur les boutons numériques afin de sélectionner le titre désiré..
4. Appuyez OK.

La lecture des rubriques sélectionnées commence alors. La rubrique sélectionnée peut être un film, une image ou un autre sous-menu selon le disque utilisé.

### Sachez que:

Si une action correspondant à un bouton n'est pas autorisée, le symbole "⊗" apparaîtra.

### Remarques sur la lecture :

1. Le son disparaît pendant l'Avance/Retour Rapide.
2. Vous n'entendrez aucun son lors du ralenti.
3. La lecture ralentie en arrière n'est pas disponible.
4. Dans certains cas, la langue du sous-titrage ne change pas immédiatement en fonction de la langue sélectionnée.
5. Quand la langue préférée n'est pas sélectionnée même après avoir pressé plusieurs fois le bouton, ceci signifie que la langue n'est pas disponible sur le disque.
6. Quand le lecteur est remis en marche ou quand le disque est changé, la sélection du sous-titrage change automatiquement vers les paramètres initiaux.
7. Si une langue non prise en charge par le disque est sélectionnée, la langue du sous-titrage sera automatiquement la langue prioritaire du disque.
8. Une circulation se produit quand vous changez vers une autre langue. Vous pouvez annuler le sous-titre en pressant ce bouton plusieurs fois jusqu'à ce que Sous-titre désactivé soit affiché sur l'écran.
9. Quand vous mettez en marche le lecteur ou quand vous changez le disque, la langue que vous entendez est celle sélectionnée lors du réglage initial. Si cette langue n'est pas enregistrée sur le disque, seule la langue disponible sur le disque sera entendue.

10. Certains DVD n'ont pas de menu et/ou titre principal.

11. La lecture en arrière n'est pas disponible

12. Pour votre convenance :

Si vous essayez d'introduire un chiffre supérieur au temps total du titre actuel, la boîte de recherche temporelle disparaît et le message "⊗ Input Invalid" apparaît sur l'écran.

13. La présentation de diapositives n'est pas disponible quand le mode ZOOM est activé.

## Dépannage du DVD

### La qualité d'image est mauvaise (DVD)

- Assurez-vous que la surface du DVD n'est pas endommagée. (Rayures, trace de doigt etc.)
- Nettoyez le disque DVD et essayez de nouveau. Reportez-vous aux instructions décrites dans Remarques sur les disques pour nettoyer le disque correctement.
- Assurez-vous que le disque DVD est bien placé dans le tiroir disque avec l'étiquette vers le haut.
- Un disque DVD humide ou de la condensation risque de nuire à l'appareil. Attendez 1 ou 2 heures en mode de veille que le matériel sèche.

### Le disque ne se met pas en marche

- Il n'y a pas de disque dans l'appareil. *Introduisez un disque dans le chargeur.*
- Le disque est mal installé. *Assurez-vous que le disque DVD est bien placé dans le tiroir disque avec l'étiquette vers le haut.*
- Type de disque erroné. Impossible de lire les CD-ROMS, etc. • Le code régional du DVD doit correspondre à celui du lecteur.

### Langue OSD incorrecte

- Sélectionnez la langue dans le menu de configuration.
- La langue audio ou de sous-titre du DVD ne peut être changée.
- Le son et / ou le sous-titre multilingue n'ont pas été enregistrés sur le DVD.
- Essayez de changer le son ou sous-titre en utilisant les menus de titre des DVD. Certains DVD ne permettent pas à l'utilisateur de modifier ces réglages sans utiliser le menu du disque.
- Ces fonctions ne sont pas disponibles sur le DVD.

### Pas d'image

- Est-ce que vous avez appuyé les touches appropriées? Essayez une nouvelle fois.

### Pas de son

- Assurez-vous que le volume est réglé à un niveau audible.
- Assurez-vous de ne pas avoir accidentellement éteint le son.

### Distorsion de son

- Assurez-vous que le réglage de mode d'audition est correct.

## Spécifications

<b>Types de disques pris en charge</b>	<b>DVD:</b> SS/SL 4.7" (DVD-5) SS/DL 4.7" (DVD-9) DS/SL 4.7" (DVD-10) DS/DL 4.7" (DVD-18)	CD-DA CD-R CD-RW MP-3/JPEG
<b>Type Vidéo</b>	Décodage vidéo standard MPEG-2 (prise en charge MPEG -1) 720 x 576 (PAL) & 720 x 480 (NTSC) pixels d'affichage Vidéo en plein écran Fréquences de rafraîchissement 50 et 60 Hz (PAL-NTSC) Vitesse de traitement du flux de données numériques pouvant atteindre 108Mbits/sec Résolution de lignes supérieure à 500	
<b>Type audio</b>	Décodage MPEG Multicanaux LPCM	
<b>Sortie Audio</b>	<b>Sortie analogique :</b> Echantillonnage DAC 24 bits / 48, 44.1kHz	

## Inhoudsopgave

Veiligheidsinformatie.....	37
Meldingen & Kenmerken & Accessoires.....	39
Functies.....	39
Hoe te beginnen.....	39
Stroom aansluiten.....	40
Afstandbediening.....	41
Aansluitingen.....	42
Mediabrowser menu.....	44
TV menukenmerken en functies.....	45
Algemene tv-bediening.....	48
Uaktualnienie oprogramowania.....	49
Probleemoplossen & tips.....	49
PC-invoer normale weergavemodi.....	50
AV en HDMI- signaal compatibiliteit.....	50
DVD modus.....	51
Hoe een DVD bekijken.....	51
Toetsen Configuratiescherm DVD.....	52
Algemene bediening.....	53
DVD probleemoplossen.....	55
Opmerkingen over de schijven.....	57

## Veiligheidsinformatie

	<b>LET OP!</b> <b>RISICO OP ELEKTRISCHE SCHOKKEN NIET OPENEN</b>	
<b>LET OP:</b> OM HET RISICO OP ELEKTRISCHE SCHOKKEN TE BEPERKEN, MAG U HET DEKSEL NIET VERWIJDEREN (OF HET ACHTERPANEEL). BINNENIN BEVINDEN ZICH GEEN ONDERDELEN DIE DOOR DE GEBRUIKER BEDIEND KUNNEN WORDEN. LAAT ONDERHOUD EN REPARATIES OVER AAN BEVOEGD ONDERHOUDSPERSONEEL.		

### Uw LCD TV in extreme milieu omstandigheden te bedienen, kan leiden tot schade aan het apparaat.



Bij bliksem of storm, of als de tv gedurende een langere periode niet zal worden gebruikt (bijv. als u op vakantie vertrekt), moet u de stekker van de tv uit het stopcontact verwijderen. De stekker dient om het tv-toestel los te koppelen van het elektriciteitsnet en moet daarom gemakkelijk te bedienen zijn.



Het uitroepteken in een gelijke driehoek dient om de gebruiker te wijzen op de aanwezigheid van belangrijke bedienings- en onderhoudsinstructies in de begeleidende documentatie van het apparaat.

**Note :** Volg de instructies op het scherm om de betrokken functies te bedienen.



## BELANGRIJK – Lees deze instructies volledig voor u de TV installeert en in gebruik neemt



**WAARSCHUWING:** Laat nooit personen (inclusief kinderen) met fysieke, gevoelsmatige of mentale zwakheden of met gebrek aan ervaring en / of kennis het elektrische apparaat gebruiken zonder toezicht!

- Voor een correcte ventilatie moet u minimum 10 cm vrije ruimte laten rond het toestel.
- **Blokkeer** de ventilatieopeningen niet.
- **Plaats** de tv niet op een hellende of onstabiele oppervlakte. De tv zou kunnen kantelen.
- Gebruik dit apparaat in een gematigd klimaat.
- De stekker van het netsnoer moet gemakkelijk bereikbaar zijn. **Plaats** het toestel, een meubelstuk of andere objecten niet op het netsnoer. Een beschadigd snoer/stekker kan brand veroorzaken of een elektrische schok veroorzaken. Neem het netsnoer beet bij de stekker en verwijder de stekker **niet** uit het stopcontact door aan het snoer te trekken. Raak het netsnoer/de stekker nooit aan met natte handen want dit kan kortsluitingen of elektrische schokken veroorzaken. Leg geen knopen in het snoer of bind het niet samen met andere snoeren. Indien beschadigd, moet het worden vervangen. Dit moet worden uitgevoerd door deskundig personeel. **Gebruik de tv niet** in een vochtige locatie. Stel de tv niet bloot aan vloeistoffen. Indien een vloeistof in de kast terecht komt, koppel de TV los en laat het door bekwame vakmensen nakijken alvorens opnieuw in gebruik te nemen.
- **Stel de tv niet bloot** aan direct zonlicht of andere warmtebronnen. 
- De set mag niet in de nabijheid van open vlammen en intense hitte, zoals een elektrische verwamer, geplaatst worden.
- Overmatige geluidsdruk van een hoofdtelefoon kan gehoorverlies veroorzaken. 
- Zorg ervoor dat er geen open vlambronnen, zoals aangestoken kaarsen, op het tv-toestel worden geplaatst.
- Om het risico op letsels te voorkomen, moet deze tv stevig bevestigd zijn aan de muur volgens de installatierichtlijnen (indien deze optie beschikbaar is).
- Het is mogelijk dat een aantal inactieve pixels als een onbeweeglijk blauw, groen of rood punt op het scherm verschijnen. Dit heeft dit geen invloed op de prestaties van uw toestel. Zorg ervoor het scherm niet te krassen met vingernagels of andere harde voorwerpen.

- Voor u het toestel schoonmaakt, moet u de stekker van de tv uit het stopcontact verwijderen. Gebruik een zachte en droge doek bij het reinigen.

 Waarschuwing	Risico op ernstige letsels of fatale gevolgen
 Risico op elektrische schokken	Risico op gevaarlijke spanningen
 Opgelet	Risico op letsels of schade aan eigendom
 Belangrijk	Het systeem correct bedienen
 Opgelet	Bijkomende aantekeningen gemarkeerd

### Meldingen & Kenmerken & Accessoires

#### Milieu-informatie

Deze televisie is ontworpen om minder energie te verbruiken om het milieu te besparen. Om het energieverbruik te verlagen, kunt u de volgende stappen uitvoeren:

Als u de Power Save modus instelt op **Eco** schakelt de tv over op de energiebesparing modus. De Power Save modus instellingen staan vermeld in de "Beeld" sectie van het hoofdmenu. Merk op dat bepaalde beeldinstellingen niet kunnen worden gewijzigd.

Als **Beeld uit** geselecteerd is, verschijnt het bericht "Scherm schakelt uit in 3 seconden." op het scherm. Selecteer **DOORGAAN** en druk op **OK** om door te gaan. Het scherm schakelt onmiddellijk uit.

Als de TV niet in gebruik is, moet u de tv uitschakelen of verwijderen uit het stopcontact. Dit vermindert het energieverbruik.

#### Stand-by meldingen

1. Als tv geen ingangsignaal ontvangt (bijv. van een antenne of HDMI-bron) gedurende 5 minuten schakelt de tv op stand-by. Wanneer u de tv de volgende maal inschakelt, verschijnt het volgende bericht: "**Stand-by oorzaak geen signaal**" Druk op **OK** om door te gaan.
2. Als de tv ingeschakeld is gebleven en gedurende een poosje niet heeft gewerkt, schakelt de tv over op stand-by. Wanneer u de tv de volgende maal inschakelt, verschijnt het volgende bericht. "**Stand-by oorzaak geen werking**" Druk op **OK** om door te gaan.

#### Functies

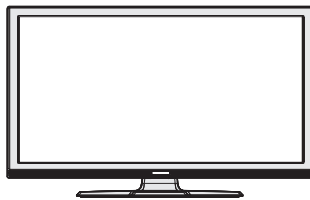
- Kleuren-tv met afstandsbediening.
- Volledig geïntegreerde digitale/kabel TV (DVB-T/C)
- HDMI Invoeren dienen om te verbinden met een toestel dat een HDMI-aansluiting heeft.
- USB-ingang.
- Instelmenu op scherm (On-screen Display).
- Scart aansluiting voor externe apparaten (zoals DVD-spelers, PVR, videospelletjes, audioset, etc.).
- Stereo geluidssysteem.
- Teletekst.
- Aansluiting voor hoofdtelefoon.
- Automatisch programmeersysteem.
- Manuele afstemming.
- Automatische uitschakeling na zes uur.
- Slaap timer
- Kinderslot.

- Automatische geluidsdeemping indien geen uitzending.
- NTSC-weergave.
- AVL (Automatische volumebegrenzing).
- PLL (frequentie zoeken).
- Pc-ingang.
- Plug&Play voor Windows 98, ME, 2000, XP, Vista, windows 7.
- Spelmodus (optioneel).

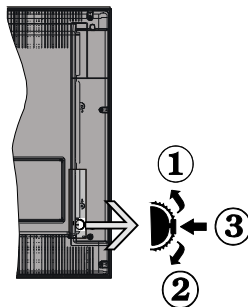
#### Accessoires inbegrepen

- Afstandbediening
- Batterijen: 2 X AAA
- Gebruikshandleiding

#### Bedieningstoetsen op de TV



#### TV bedieningsknoppen & bewerking



1. Omhoog
2. Omlaag
3. Zender/Volume / AV / Stand-by-Aan selectieschakelaar

De bedieningstoets biedt u de mogelijkheid het Volume/Programma/Bron en de Stand-by aan functies te bedienen van de tv.

Volume wijzigen: Verhoog het volume door de knop in te drukken. Verlaag het volume door de knop neer te drukken.

Zenders wijzigen: Druk in het midden van de knop en het kanaal informatievaandel verschijnt op het scherm. Blader doorheen de opgeslagen zenders door de knop omhoog of omlaag te drukken



De bron wijzigen: Druk twee maal in het midden van de knop en de bronlijst verschijnt op het scherm. Blader doorheen de beschikbare bronnen door de knop omhoog of omlaag te drukken

Om de TV uit te schakelen: Druk de middelste knop in en houd hem ingedrukt gedurende een aantal seconden. De TV schakelt over op de stand-by modus.

### De batterijen aanbrengen in de afstandsbediening

Til het deksel omhoog aan de achterkant van de afstandsbediening. Installeer twee **AAA** batterijen. Zorg ervoor dat de + en – uiteinden van de batterijen in het batterijcompartiment overeenstemmen (observeer de correcte polariteit). Breng het deksel opnieuw aan.

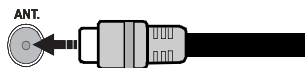


### Stroom aansluiten

**BELANGRIJK:** Het tv-toestel is ontworpen voor een stopcontact met een vermogen van **220-240V AC, 50 Hz**. Laat na het uitpakken het tv- toestel op kamertemperatuur komen voor u het op de netsroom schakelt. Steek het netsnoer in het stopcontact.

### Antenne/Kabel aansluitingen

Sluit de antenne of de kabel TV stekker aan op de ANTENNE INPUT (ANT) aan de achterzijde van de TV.



### Melding

Geproduceerd onder licentie door Dolby Laboratories.

#### ERKENNING VAN HANDELSMERK

"Dolby" en het dubbele-D symbool zijn handelsmerken van de Dolby Laboratories.



"HDMI, het HDMITM logo en de High-Definition Multimedia Interface zijn handelsmerken of geregistreerde handelsmerken van HDMITM Licensing LLC."



**Informatie voor de gebruiker betreffende het wegwerpen van oude apparatuur en batterijen**

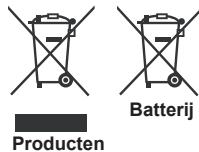
#### [Enkel Europese Unie]

Deze symbolen geven aan dat apparatuur met deze symbolen niet weggeruimd mogen worden als algemeen huishoudelijk afval. Als u het product of de

batterij wilt wegruimen, moet u de ophaalsystemen of faciliteiten overwegen voor een correcte recycling.

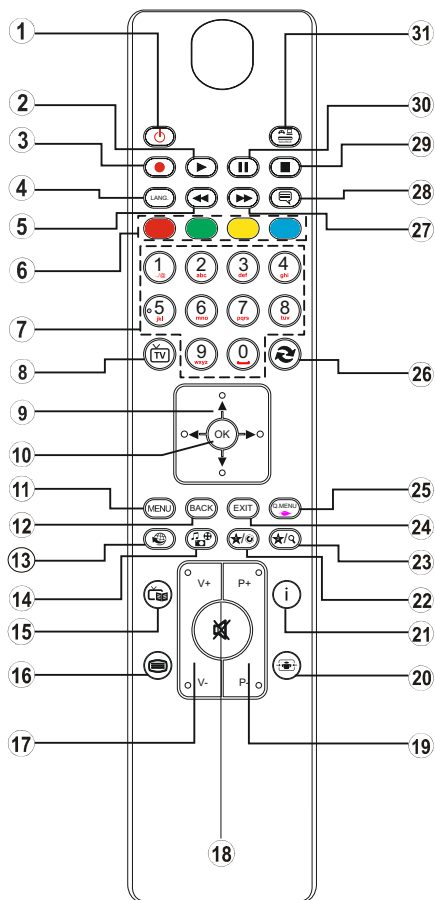
**Opgelet:** Het Pb-symbool onder het symbool voor de batterijen geeft aan

dat deze batterij lood bevat



### Specificaties

<b>TV-UITZENDING</b>	PAL B/G D/K K
<b>Kanalen ontvangen</b>	VHF (BAND I/III) - UHF (BAND U) - HYPERBAND
<b>Aantal instelbare kanalen</b>	1000
<b>Kanaalindicator</b>	Menu Weergave op het scherm.
<b>RF Antenne-Input</b>	75 ohm (niet gebalanceerd)
<b>Werkingsspanning</b>	220-240V Wisselstroom, 50Hz.
<b>Audio</b>	Duits+Nicam Stereo
<b>Geluidsuitgang stroom (WRMS.) (10% THD)</b>	2 x 2,5
<b>Stroomverbruik</b>	45 W
<b>Gewicht</b>	3,70
<b>TV afmetingen BxLxH (met voet)</b>	134 x 516 x 353
<b>TV afmetingen BxLxH (zonder voet)</b>	35 x 516 x 317
<b>Operationele temperatuur en operationele vochtigheid</b>	5°C tot 45°C, 85% rel. Vochtigheid max.



1. Offline (Reden:
2. Afspelen (in Media Browser-videomodus)
3. Geen functie
4. Actuele taal
5. Snel terug
6. Gekleurde toetsen
7. Numerieke toetsen
8. Kanaallijst
9. Navigatietoetsen
10. OK / Selecteer
11. Menu Aan/Uit
12. de terugkeertoets / Indexpagina (in TXT-modus)
13. Geen functie\*
14. Mediabrowser\*\*
15. Elektronische programmagids
16. Teletekst
17. Volume Omhoog/Omlaag
18. Mute toets
19. Programma omhoog/ omlaag
20. schermmodi instellen
21. Info / Weergeven (in TXT-modus)
22. Mijn knop 1:
23. Mijn knop 2:
24. Afsluiten
25. Q. Menu
26. Swap Kanalen
27. Snel vooruit
28. Ondertiteling aan-uit.
29. Stop (in Media Browser-videomodus)
30. Pauzeren
31. AV / Bron

### Teletekst

Druk op de **TXT** toets voor toegang. Druk opnieuw om de mix-modus in te schakelen. Druk opnieuw om af te sluiten. Volg de instructies op het digitale teletekstscherf.

### Digitale teletekst (\*\* uitsluitend voor het VK)

Druk op de **TXT** toets om de digitale teletekstinformatie weer te geven. U kunt dit menu bedienen met de gekleurde toetsen, cursor toetsen en de **OK** toets. De bedieningsmethode kan verschillen afhankelijk van de inhoud van de digitale teletekst. Volg de instructies op het digitale teletekstscherf. Wanneer de "**TXT**" toets ingedrukt wordt, keert de TV terug naar de televisie uitzending.

Het gebruik van Mijn toets 1(\*\*)



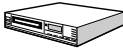



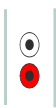
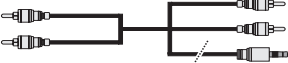



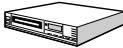



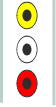






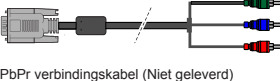
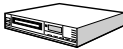


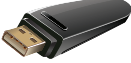
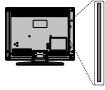


Als u zich op een gewenste bron, kanaal of link bevindt, drukt u op MIJN KNOP 1 gedurende vijf seconden tot het "MIJN KNOP IS INGESTELD" bericht op het scherm verschijnt. Dit bevestigt dat de geselecteerde MIJN KNOP nu geassocieerd is met de geselecteerde functie.


Het gebruik van Mijn toets 2 (\*\*\*)

Als u zich op een gewenste bron, kanaal of link bevindt, drukt u op MIJN KNOP 2 gedurende vijf seconden tot het "MIJN KNOP IS INGESTELD" bericht op het scherm verschijnt. Dit bevestigt dat de geselecteerde MIJN KNOP nu geassocieerd is met de geselecteerde functie.

# Hoe te beginnen

## Aansluitingen

Connector	Type	Kabels	Apparaat
	<b>Scart</b> Verbindingen (achterzijde)		
	<b>VGA</b> Verbindingen (achterzijde)		
<b>ZIJDE AV</b> 	<b>PC/YPbPr</b> Audio Verbindingen (zijde)	 Zijde Audio YPbPr verbindingskabel (Niet geleverd)	
	<b>HDMI</b> Verbindingen (achterzijde)		
 <b>SPDIF</b>	<b>SPDIF</b> Verbindingen (achterzijde)		
<b>ZIJDE AV</b> 	<b>Zijde AV</b> Geluid/Video Verbindingen (zijde)	 (Niet geleverd)	
 <b>KOPTELEFOON</b>	<b>Koptelefoon</b> Verbindingen (zijde)		
	<b>YPbPr video</b> Verbindingen (achterzijde)	 PbPr verbindingskabel (Niet geleverd)	
	<b>USB</b> Verbindingen (zijde)		
	<b>CI</b> Verbindingen (zijde)		

 **OPMERKING:** Indien u een apparaat aansluit via de YPbPr of Zijde AV ingang moet u de geleverde verbindingskabels gebruiken om een verbinding in te schakelen. Raadpleeg de illustraties hierboven. | U kunt YPbPr naar VGA kabel (niet geleverd) gebruiken om het YPbPr signaal in te schakelen via VGA ingang. | U kunt geen VGA en YPbPr gelijktijdig gebruiken. | Om PC audio in te schakelen, moet u de WITTE & RODE ingangen gebruiken van de geleverde ZIJDE AV VERBINDING kabel. | Indien een extern apparaat verbonden is via de SCART-aansluiting schakelt de TV automatisch op de AV-modus. | Als u DTV-zenders ontvangt (Mpeg4 H.264) of in de Mediabrowser modus is de uitgang niet beschikbaar via de scartaansluiting. | Wanneer u de wandmontage kit (optioneel) gebruikt, raden we aan alle kabels in de achterzijde van de tv te steken voor u het toestel monteert op de wand. | Verwijder of voeg de CI module enkel in wanneer de tv UITGESCHAKELD is. Voor details over de instellingen raadpleegt u de handleiding van de module.

## Hoe te beginnen

### Eerste installatie - USB-aansluiting

#### In-/uitschakelen

##### De tv inschakelen

Sluit het netsnoer aan op 220-240V AC wisselstroom 50 Hz.

Om de tv in te schakelen vanuit stand-bymodus, doet u het volgende:

Druk op de "⏻" toets, **P+** / **P-** of een numeriek toets van de afstandsbediening.

Druk op de zijdelingse functieschakelaar tot de tv inschakelt van stand-by.

##### De tv uitschakelen

Druk op de "⏻" knop op de afstandsbediening of druk op de zijdelingse functieschakelaar tot de tv inschakelt van de stand-by modus.

##### Om de tv volledig uit te schakelen, trekt u de stekker van de tv uit het stopcontact.

**Opmerking:** Wanneer de tv in stand-bymodus staat, knippert het stand-byindicatorlampje om aan te geven dat functies zoals 'Stand-by zoeken', 'Downloaden over de ether' of 'Timer' actief zijn. De LED-indicator kan ook knipperen wanneer u de TV overschakelt van de stand-by modus.

#### Eerste ingebruikneming

Indien ingeschakeld voor de eerste maal verschijnt het "taalselectie" scherm. Selecteer de gewenste taal en druk op OK.

Het Eerste installatie (FTI) verschijnt op het scherm. Stel uw voorkeuren in met de navigatieknoppen en klik daarna op OK om door te gaan.

Als de **Winkelmodus** geselecteerd is, is de Winkelmodus beschikbaar in het andere instellingen menu en de functies van uw tv worden weergegeven bovenin het scherm. Een bevestiging verschijnt. Druk op **YES** om door te gaan.


Als Thuismodus geselecteerd is, is de Opslagmodus niet beschikbaar na de eerste installatie. Druk op **OK** om door te gaan.

##### De standaard PIN-code kan wijzigen naargelang het geselecteerde land.

Als u wordt gevraagd een PIN-code in te voeren om een menu-optie kunt u een van de volgende codes gebruiken: 4725, 0000 of 1234.

#### Installatie van de antenne

Als u de **ANTENNE**optie selecteert in **Zoektype** scherm zoekt de televisie digitale aardse televisie-uitzendingen.

 **OPMERKING:** Om te annuleren, drukt u op de **MENU**-knop.

Nadat alle kanalen zijn opgeslagen, verschijnt een zenderlijst op het scherm. Als u de zenders wilt sorteren volgens de LCN(\*) selecteert u "Ja" en daarna drukt u op **OK**.

Druk op de **MENU**knop om de kanalenlijst te verlaten en tv te kijken.

(\*) LCN is het Logical Channel Number systeem (logisch kanaalnummer) dat de beschikbare uitzendingen organiseert op basis van een herkenbare zendervolgorde.

#### Installatie van de kabel

Als u de **KABEL** optie selecteert en druk op **OK** op de afstandsbediening. Om door te gaan, selecteer **JA** en druk op **OK**. Om de bewerking te annuleren, selecteer nee en druk op **OK**. In dit scherm kunt u een frequentiebereik selecteren.

Voer het frequentiebereik handmatig in met de numerieke toetsen.

**Opmerking:** De duur van de zoekopdracht hangt af van de geselecteerde zoekstap.






#### Media afspelen via USB-ingang

*U kunt een 2.5" en 3.5" inch (hdd met externe voeding) externe harde schijven of USB geheugensticks aansluiten op uw tv via de USB ingangen van de tv.*

**BELANGRIJK!** Maak een backup van uw bestanden voor u aansluitingen uitvoert op de tv. De fabrikant is niet aansprakelijk is voor eventuele schade aan bestanden of gegevensverlies. Sommige types USB-apparaten (bv. MP3-spelers) of USB-harde schijven/geheugensticks zijn mogelijk niet compatibel met deze tv. Bij de formattering van een USB harde schijf van 1 TB (Tera Byte) of meer vermogen kunt u problemen ondervinden tijdens de formatteringsprocedure. Steek de USB-driver er niet snel en herhaaldelijk in en uit. Dit kan materiële schade veroorzaken aan de USB-speler en in het bijzonder aan het USB-apparaat zelf. Verwijder de USB-module niet tijdens de weergave van een bestand.

## Mediabrowser menu

U kunt foto's, muziek en filmbestanden afspelen die opgeslagen zijn op een USB-schijf door ze aan te sluiten op uw tv. Sluit een USB schijf aan op een van de USB ingangen op de zijkant van de tv. Druk op de **MENU** knop in de Media Browser modus voor toegang tot de foto, geluid en instellingen menu opties. Druk opnieuw op de **MENU** knop om dit scherm af te sluiten. U kunt uw mediabrowser voorkeuren instellen met het Instellingen menu.

<i>Lus/Willekeurige weergave bediening</i>	
U kunt de weergave starten met  en 	De tv speelt het volgende bestand af en speelt de lijst in een lus weer.
U kunt de weergave starten met OK en inschakelen 	hetzelfde bestand wordt in een lus afgespeeld (herhalen).
U kunt de weergave starten met  en 	het bestand wordt afgespeeld in willekeurige volgorde.

## Snel menu

Het Snelle instellingen menu biedt u de mogelijkheid snel toegang te krijgen tot bepaalde opties. Dit menu bevat de Energiebesparing modus, Beeldmodus, Equalizer instellingen, Favorieten en Slaapstand opties. Druk op de Q. MENU knop op de afstandsbediening op de afstandsbediening om het snel menu weer te geven. Raadpleeg de volgende hoofdstukken voor informatie over de verschillende functies.

### Beeldmenu inhoud

<b>Modus</b>	U kunt de beeldmodus wijzigen naargelang uw voorkeuren of vereisten. De beeldmodus kan worden ingesteld op een van deze opties: <b>Cinema</b> , <b>Spel</b> , <b>Dynamisch</b> en <b>Natuurlijk</b> .
<b>Contrast</b>	Om het contrast tussen donker en licht van het scherm in te stellen.
<b>Helderheid</b>	Om de helderheid van het scherm in te stellen.
<b>Scherpte</b>	Om de scherpte van de objecten op het scherm in te stellen.
<b>Kleur</b>	Om de kleurwaarden in te stellen
<b>Power Save modus</b>	Om de Power Save modus in te stellen als Eco, Beeld uit en Uitgeschakeld. (Als de modus ingesteld is op Dynamisch wordt de Power Save modus automatisch uitgeschakeld).
<b>Achtergrond (optioneel):</b>	Deze instelling bestuurt de achtergrondverlichting. De achtergrondverlichting functie is niet actief wanneer de Power Save modus ingeschakeld is op Eco. De achtergrondverlichting mag niet ingeschakeld zijn in de VGA of mediabrowser modus of wanneer de beeldmodus ingesteld is op Spel.
<b>Geluid Reductie</b>	Indien het uitzendesignaal zwak is en het beeld ruis bevat, kunt u de <b>Ruisreductie</b> instelling gebruiken om de hoeveelheid ruis te onderdrukken.

### Geavanceerde instellingen

<b>Dynamisch contrast</b>	U kunt de Dynamische contrastverhouding instellen op de gewenste waarde.
<b>Kleurtemp</b>	Om de kleurtoon in te stellen.
<b>Beeld scherpstellen</b>	Stelt de gewenste beeldgrootte in op basis van het beeldzoom menu. <b>Opmerking:</b> <i>Automatisch (Enkel beschikbaar in Scartmodus met SCART PIN8 hoogspanning/ laagspanning omschakeling)</i>
<b>Filmmodus</b>	Films worden aan een ander aantal frames per seconde opgenomen dan normale televisieprogramma's. Schakel deze functie aan wanneer u films bekijkt om de snel bewegende scènes duidelijk weer te geven.
<b>Huidtoon</b>	De huidtoon kan worden gewijzigd tussen -5 en 5.
<b>Kleurverschuiving</b>	De gewenste kleurtoon aanpassen.
<b>RGB verhoging</b>	U kunt de kleurtemperatuurwaarden configureren met de RGB verhoging functie.
<b>Reset</b>	Om het beeldformaat terug op de fabrieksmatige standaardinstelling te zetten. (Behalve Spelmodus)
<b>Automatisch positioneren (in PC mode)</b>	Optimaliseert het scherm automatisch. Druk op OK om te selecteren.
<b>H positie (in PC-modus)</b>	Dit item verschuift het beeld horizontaal naar de rechter of linkerzijde van het scherm.
<b>V positie (in PC-modus)</b>	Dit item verschuift het beeld verticaal naar de boven of onderzijde van het scherm.
<b>Pixelrequentie (in PC-modus)</b>	Dit corrigeert de storingen die zich voordoen als verticale banden in presentaties met een hoog aantal pixels zoals rekenbladen, paragrafen of tekst in kleinere lettertypen.
<b>Fase (in PC mode)</b>	Afhankelijk van de resolutie en de scanfrequentie die u instelt op het TV toestel kan een onzuiver beeld op het scherm verschijnen. In dat geval kunt u deze functie gebruiken om een zuiver beeld te ontvangen via de proefondervindelijke methode.

*In VGA (pc)-modus, zijn sommige opties in het menu Beeld niet beschikbaar. In plaats daarvan worden in pc-modus de VGA-modusinstellingen toegevoegd aan Beeldinstelling.*

<b>Geluidsmenu inhoud</b>	
<b>Volume</b>	Past het volumeniveau aan.
<b>Equalizer</b>	Selecteert de equalizer modus. Aangepaste instellingen kunnen enkel in de gebruiker modus worden uitgevoerd.
<b>Balans</b>	Deze instelling wordt gebruikt om de linkse of rechtse luidspreker meer te benadrukken.
<b>Koptelefoon</b>	Stelt het geluidsvolume van de hoofdtelefoon in.
<b>Geluidsmodus</b>	U kunt een geluidsmodus selecteren. (als het geselecteerde kanaal dit ondersteunt).
<b>AVL (Automatische volumebeperking)</b>	Deze functie stelt het geluid in om een vast uitvoerniveau te bereiken tussen programma's.
<b>Digitale uitgang:</b>	Om het type van digitale audiouitgang in te stellen.
<b>Instellingen Menu Inhoud</b>	
<b>Voorwaardelijke toegang</b>	Bestuurt modules met voorwaardelijke toegang indien aanwezig.
<b>Taal</b>	Configureert de taalinstellingen (kan wijzigen naargelang het geselecteerde land). De Voorkeur en huidige instellingen zijn beschikbaar. Deze instellingen kunnen worden veranderd wanneer de uitzender dit ondersteunt.
<b>Ouderlijk</b>	Voer het correcte wachtwoord in om de ouderlijke instellingen te wijzigen. U kunt de menuvergrendeling, maturiteitsvergrendeling (kan wijzigen naargelang het geselecteerde land) en het kinderslot in dit menu eenvoudig aanpassen. U kunt ook een nieuw pin-nummer instellen.
<b>Timers</b>	Stelt de slaaptimer in om de tv uit te schakelen na een bepaalde periode. Stelt de timers in voor bepaalde programma's. (USB opname)
<b>Datum/tijd:</b>	Stelt datum en tijd in
<b>Bronnen</b>	Activeert of deactiveert bepaalde bronopties.
<b>Andere instellingen: Geef de andere instellingsopties voor het tv-toestel weer:</b>	
<b>Menu time-out</b>	Om de time-out voor menuschermen te wijzigen.
<b>Gecodeerde kanalen scannen</b>	Wanneer deze instelling is ingeschakeld, zal het zoekproces ook de gecodeerde kanalen vinden.
<b>Blauwe achtergrond</b>	Activeert of deactiveert het blauweachtergrondstelsel wanneer het signaal zwak of niet aanwezig is.
<b>Bijwerking van software</b>	Om zeker te zijn dat uw TV steeds de meest recente firmware bevat.
<b>Applicatie versie</b>	Geeft de applicatie versie.
<b>Hardhorenden</b>	Schakelt iedere speciale functie in die wordt verzonden door de uitzender.
<b>Geluid beschrijving</b>	Audiobeschrijving verwijst naar een bijkomende verhaaltrack voor blinden en slechtziende kijkers van visuele media, inclusief televisie en films. U kunt deze functie gebruiken, enkel als de uitzender die bijkomende verhaaltracks ondersteunt. <i>Opmerking: Het is mogelijk dat de audio beschrijving geluidsfunctie niet beschikbaar is in de opname of time shifting modus.</i>
<b>Auto tv uit</b>	U kunt de time-out waarde instellen als automatisch uit. Wanneer de timeout waarde wordt bereikt en de Tv gedurende de geselecteerde tijdsduur niet wordt bediend, schakelt de tv over op de stand-by modus.

## TV menukenmerken en functies

<b>Stand-by Zoeken (optioneel)</b>	Als Stand-by zoeken is ingesteld op Aan wanneer de TV in stand-by modus staat, worden de beschikbare uitzendingen gezocht. Als de TV nieuwe of ontbrekende uitzendingen vindt, verschijnt een scherm met de vraag of u deze wijzigingen al of niet wilt uitvoeren. De zenderlijst wordt bijgewerkt en gewijzigd na deze procedure.
<b>Opslagmodus</b>	Als u de tv tentoonstelt in een winkel kunt u deze modus inschakelen. Wanneer de winkelmodus ingeschakeld is, is het mogelijk dat sommige items in het tv-menu onbeschikbaar zijn.
<b>Inschakelmodus</b>	Deze instelling configureert de inschakelmodus voorkeur.
<b>Installeer de menu-inhoud en stem opnieuw af</b>	
<b>Automatische zenderscan (opnieuw afstemmen) (indien beschikbaar)</b>	Geeft automatisch afstemmingsopties weer. Digitaal aards: Zoekt antenne DVB-zenders en slaat ze op. Digitale kabel: Zoekt kabel DVB-zenders en slaat ze op. Analoog: Zoekt analoge stations en slaagt ze op. Digitaal aards & analoog: Zoekt zowel analoge antenne DVB en analoge zenders en slaat ze op. Digitaal aards & analoog: Zoekt zowel analoge kabel DVB en analoge zenders en slaat ze op.
<b>Handmatige kanaalscan</b>	Deze functie kan worden gebruikt voor het opslagen van rechtstreekse uitzendingen.
<b>Netwerk zenderscan</b>	Zoekt de gekoppelde zenders in het uitzendsysteem.
<b>Analoge fijnafstemmen</b>	U kunt deze instelling gebruiken om analoge zenders fijn af te stemmen. Deze functie is niet beschikbaar indien er geen analoge zenders opgeslagen zijn.
<b>Eerste ingebruikneming</b>	Verwijdert alle opgeslagen zenders en instellingen, voert een reset uit van de tv naar de fabrieksinstellingen.



## Algemene tv-bediening

### Het gebruik van de zenderlijst

Het tv-toestel sorteert alle opgeslagen zenders in een zenderlijst. Aan de hand van de opties van de zenderlijst, kunt u deze zenderlijst bewerken, uw favoriete kanalen instellen of de actieve kanalen selecteren die u wenst op te nemen in de lijst.

### Ouderlijk toezicht instellingen configureren

*Om te vermijden dat bepaalde programma's toegankelijk zouden zijn, kunnen bepaalde kanalen en menu worden vergrendeld aan de hand van het besturingssysteem voor ouderlijk toezicht.*

Om de menuopties voor ouderlijk toezicht weer te geven, dient u een pin-nummer in te voeren. Het standaard PIN-nummer ingesteld in de fabriek is **0000**. Als u het correcte pin-nummer invoert, verschijnt het ouderlijke instellingenmenu.

**Blokada menu:** Deze functie vergrendelt of ontgrendelt de toegang tot het menu.

**Volwassenen vergrendeling:** Als dit ingesteld is, wordt informatie over leeftijdsbeperking ingewonnen bij de zender, en indien het desbetreffende leeftijdsniveau is uitgeschakeld, worden het beeld en het geluid niet weergegeven.

**Kinderslot:** Als het kinderslot is ingesteld, kan de TV enkel worden bediend met de afstandsbediening. In dat geval werken de toetsen van het configuratiepaneel niet.

**PIN instellen:** Om een nieuw pin-nummer vast te leggen.

**De standaard PIN-code kan wijzigen naargelang het geselecteerde land.**

*Als u wordt gevraagd een PIN-code in te voeren om een menu-optie kunt u een van de volgende codes gebruiken: **4725\_0000** of **1234**.*

### Elektronische zendergids (EZG)

Een aantal, maar niet alle, zenders versturen informatie over de huidige en volgende programma's. Druk op de **GUIDE** toets om het EPG menu weer te geven.

**Rode toets (Vorige dag):** Geeft de programma's weer van de vorige dag.

**Groene toets (Volgende dag):** Geeft de programma's weer van de volgende dag.

**Gele toets (Zoom):** Breidt de zenderinformatie uit.

**Blauwe toets (Filter):** Geeft filteropties weer.


**ONDERT:** Druk op de **ONDERT** toets om het Genre selecteren menu weer te geven. Gebruik deze functie om de zendergids databank te doorzoeken in overeenstemming met het genre. De beschikbare informatie in de programmagids wordt doorzocht en de resultaten die overeenstemmen met uw criteria verschijnen in een lijst.

**INFO:** Geeft in detail informatie weer van het geselecteerde programma.

**Numerieke toetsen (Springen):** Springt naar de voorkeuzender rechtstreeks via de numerieke toetsen.

**OK:** Geeft zenderopties weer.

**Tekst (Zoeken):**Geeft "Gids zoeken" menu weer.

 **(Nu)** : Geeft de huidige zender weer.

### Bijwerking van software

Uw tv kan automatisch zoeken en bijwerken via het Antenne/Kabel signaal.

### Software upgrade zoeken via gebruikersinterface

Navigeer eenvoudig naar uw hoofdmenu. Selecteer **Instellingen** en selecteer **Overige instellingen** menu. In het **Overige instellingen** menu navigeert u naar het **Software upgrade** item en u drukt op de **OK** toets om te controleren of er een nieuwe software upgrade beschikbaar is.

### 3) AM zoeken en upgrade modus

Wanneer de tv aangesloten is op een antennesignaal. Als Automatisch scannen is ingeschakeld in het Upgrade opties menu schakelt de TV in om 03:00 en zoek zenders voor een nieuwe software upgrade. Indien nieuwe software wordt gevonden en gedownload, opent de TV de volgende maal met de nieuwe software versie.

**Opmerking:** Als de tv niet inschakelt na de upgrade moet u de stekker van de tv 2 minuten uit het stopcontact verwijderen en opnieuw invoeren.

### Probleemoplossen & tips

#### De tv schakelt niet in

Zorg ervoor dat het netsnoer stevig in het stopcontact is gevoerd. Het is mogelijk dat de batterijen in de afstandsbediening leeg zijn. Druk op de powerknop van de Tv.

#### Zwakke beeldkwaliteit

- Hebt u het verkeerde tv-systeem geselecteerd?
- Een laag signaalniveau kan een beeldvervorming veroorzaken. Controleer de antennetoegang.
- Controleer of u de correcte kanaalfrequentie hebt ingevoerd als u een handmatige afstemming hebt uitgevoerd.
- De beeldkwaliteit kan verminderen wanneer twee randapparaten gelijktijdig aangesloten zijn op de tv. In dat geval kunt u en van beide apparaten loskoppelen.

#### Geen beeld

- Geen beeld betekent dat uw TV geen uitzending ontvangt. Hebt u de juiste knoppen van de

afstandsbediening geselecteerd? Probeer het opnieuw. Zorg er ook voor dat de correcte invoerbron geselecteerd werd.

- Is de antenne correct aangesloten?
- Is de antennekabel beschadigd?
- Werden de correcte stekkers gebruikt voor de aansluiting van de antenne?
- Indien u twijfelt, neemt u contact op met de verdeler.

#### Geen geluid

- Werd het geluid van de TV gedempt? Om het geluid dempen te annuleren, drukt u op de "X" knop of u verhoogt het volume.
- Het geluid komt slechts uit één van de luidsprekers. Is de balans ingesteld op en uiteinde? Raadpleeg het Geluidsmenu.

#### Afstandsbediening – werkt niet

- Het is mogelijk dat de batterijen leeg zijn. Batterijen vervangen.

#### Invoerbronnen – kunnen niet worden geselecteerd

- Indien u geen invoerbronnen kunt selecteren, is het mogelijk dat het toestel niet is aangesloten. zo niet
- Controleer de AV-kabels en verbindingen als u geprobeerd hebt een toestel aan te sluiten.

## PC-invoer normale weergavemodi

Onderstaande tabel is een illustratie van een aantal van de normale video schermmodi. Het is mogelijk dat uw TV niet alle resoluties ondersteunt. Uw TV ondersteunt tot 1920x1080.

Inhoudsopgave	Resolutie	Frequentie
3	1024x768	60 Hz
4	1280x768	60 Hz
5	1360x768	60 Hz
7	800x600	56 Hz
8	800x600	60 Hz
9	1024x768	60 Hz
10	1024x768	66 Hz
11	1280x768	60 Hz
12	1360x768	60 Hz
13	1280x1024	60 Hz
14	1280x960	60 Hz
15	1280x1024	60 Hz
16	1400x1050	60 Hz
17	1600x1200	60 Hz
18	1920x1080	60 Hz

## AV en HDMI- signaal compatibiliteit

Bron	Ondersteunde signalen	Beschikbaar	
EXT (SCART)	PAL 50/60	O	
	NTSC 60	O	
	RGB 50	O	
	RGB 60	O	
Zijde AV	PAL 50/60	O	
	NTSC 60	O	
PC/YPbPr	480I, 480P	60Hz	O
	576I, 576P	50Hz	O
	720P	50Hz, 60Hz	O
	1080I	50Hz, 60Hz	O
	1080P	50Hz, 60Hz	O
HDMI1	480I	60Hz	O
	480P	60Hz	O
	576I, 576P	50Hz	O
	720P	50Hz, 60Hz	O
	1080I	50Hz, 60Hz	O
	1080P	24Hz, 25Hz	O
		30Hz, 50Hz, 60Hz	

(X: Niet beschikbaar, O: Beschikbaar)

In bepaalde gevallen kan een signaal op de tv incorrect worden weergegeven. Het probleem kan een onverenigbaarheid zijn met de standaarden van het brontoestel (DVD, set-top-box, etc.) Indien een dergelijk probleem zich voordoet, neemt u contact op met uw verdeler en de fabrikant van het bronmateriaal.

## Ondersteunde bestandsformaten voor de USB-modus

Media	Bestandsextensie	Indeling		Opmerkingen (Maximum resolutie/Bitrate etc.)
		Video	Audio	
Film	mpg, mpeg	MPEG1, MPEG2		MPEG1: 768x576 @30P MPEG2: 1920x1080 @ 30P
	vob	MPEG2		1920x1080 @ 30P
	mp4	MPEG4, Xvid, H.264		
	mkv	H.264, MPEG4, VC-1		
	avi	MPEG2, MPEG4, Xvid, H.264		
	flv	H.264/VP6/Sorenson		H.264/VP6: 1920x1080 @ 30P Sorenson: 352x288 @30P
	3gp	MPEG4, H.264		1920x1080 @ 30P
wmv, asf	MPEG4, VC-1		1920x1080 @ 30P	
Muziek	.mp3	-	MPEG 1 Layer 1 / 2 (MP3)	32Kbps ~ 320Kbps (Bit rate) 32K, 44.1k, 48k Hz, 16K, 22.05K, 24K Hz, 8K, 11.025K, 12K Hz (Sampling rate)
Foto	.jpg .jpeg	Basislijn JPEG	-	max WxH = 17000x10000 4147200bytes
	.	Progressieve JPEG	-	max WxH = 4000x4000 3840000bytes
	.bmp	-	-	max WxH = 5760x4096 3840000bytes
Ondertiteling	.sub .srt	-	-	-

# DVD modus

## Veiligheidsinformatie

### LET OP!

DVD Player is een klasse 1 laser product. Dit product gebruikt echter een zichtbare laserstraal die een schadelijke stralingsblootstelling kan veroorzaken. Let er op dat u de speler correct gebruikt zoals in deze handleiding wordt beschreven.

## KLASSE 1 LASER PRODUCT

### RISICO OP ELEKTRISCHE SCHOKKEN

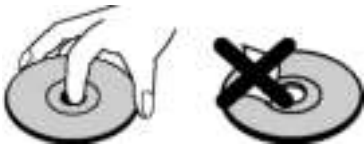
Het bliksemflits met pijlpunt symbool binnen een gelijke driehoek dient om de gebruiker te wijzen op de aanwezigheid van niet geïsoleerd "gevaarlijk voltage" in de behuizing van een product die voldoende sterk kan zijn om een risico op elektrische schokken in te houden.

Het uitroepteken in een gelijke driehoek dient om de gebruiker te wijzen op de aanwezigheid van belangrijke bedienings- en onderhoudsinstructies in de begeleidende documentatie van het apparaat.

### Opmerkingen Over De Schijven

#### Over de behandeling van de schijven

- Om de schijf schoon te houden, dient u de schijf bij de rand vast te pakken. Raak het oppervlak niet aan.
- Plak geen papier of plakband op de schijf.
- Als er lijm of een vergelijkbare stof op de schijf zit, verwijder deze dan volledig alvorens de schijf te gebruiken.



- De schijf nooit blootstellen aan direct zonlicht of warmtebronnen zoals warme luchtleidingen. De schijf ook nooit achterlaten in een geparkeerde wagen in direct zonlicht. De temperatuur kan namelijk aanzienlijk stijgen en de schijf kan beschadigd worden.
- Na het afspelen van de schijf, dient u de schijf in het bijbehorende doosje op te bergen.

## Over de reiniging van de schijven

- Alvorens de schijf af te spelen, dient u de schijf te reinigen met een schone doek. Veeg de schijfschoon vanaf het midden naar buiten.



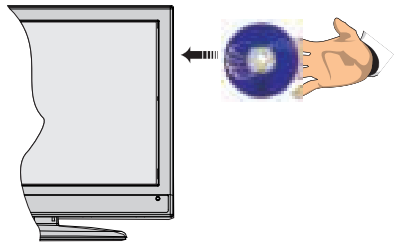
- Maak geen gebruik van oplosmiddelen zoals benzine, thinner, commercieel beschikbare reinigingsmiddelen of antistatische spray die bedoeld is voor vinyl LP's.

### Licentiemededeeling

- Dit product bevat copyright beschermde technologie die beschermd wordt door V.S patenten en andere intellectuele eigendomsrechten. Het gebruik van deze kopieerbeveiligingstechnologie moet worden toegelaten door Rovi Corporation, en is uitsluitend bedoeld voor weergave thuis of op andere beperkte locaties, tenzij anders toegelaten door Rovi Corporation. Terugwerkend ontwikkelen en construeren of ontmanteling is verboden.

### Hoe een DVD bekijken

Bij het plaatsen van een schijf in de lader, moet het label van de schijf naar boven gericht zijn:



Wanneer het Tv-toestel is ingeschakeld, schakel eerst naar DVD-bron door gebruik van de toets **SOURCE** op de afstandsbediening. Druk op Play op de afstandsbediening, of druk op Afspelen op het frontpaneel. Er is geen schijf in de lader, plaats eerst een DVD en druk op Afspelen.

**Opmerking:** Als u overschakelt naar een andere bron door de **SOURCE**, **SWAP** of **P+/-** toetsen in te drukken op de afstandsbediening wordt de dvd-weergave automatisch gepauzeerd. U moet **AFSPELEN** indrukken en de weergave handmatig hervatten wanneer u overschakelt naar de dvd-modus.

# Toetsen Configuratiescherm DVD

## A. Schijflader

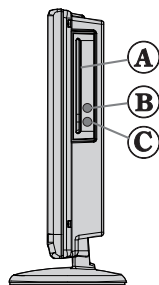
## B. Weergeven / Pauzeren

Speelt af/pauzeert de schijf. Wanneer het Dvd-menu (hoofdmenu) actief is, werkt deze toets als de "selecteertoets" (selecteert een gemarkeerd item in het menu) als dit door de schijf wordt toegelaten.

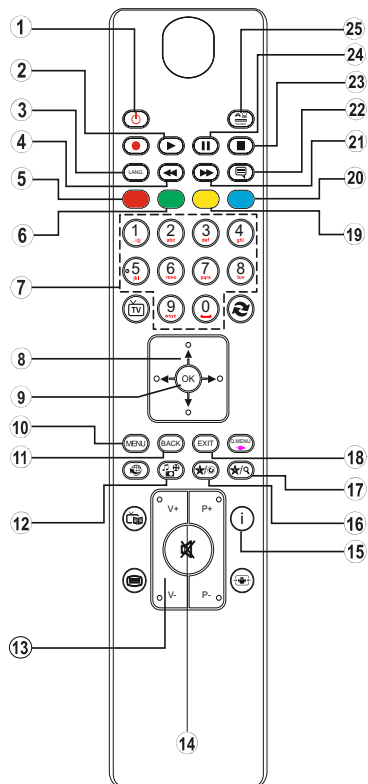
## E. Stoppen / Uitwerpen

Stopt het afspelen van schijven / Uitwerpen of Laden van e schijf Opmerking:

- U kunt de schijf niet via de afstandsbediening uitwerpen.
- Tijdens het afspelen van een bestand, druk driemaal op de toets STOP om uit te werpen.



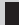





1. Stand-by.
2. Afspelen (in Media Browser-videomodus)
3. Geen functie
4. Taalselectie (Taal instellen)
5. Zoom
6. Herhalen
7. Numerieke toetsen
8. Navigatietoetsen
9. OK
10. Menu
11. Terugkeren
12. Camerastandpunt
13. Volume Omhoog/Omlaag
14. Geluid dempen
15. Info
16. Mijn toets 1 / Tijd weergeven / DVD menu
17. Mijn toets 2 / Zoekmodus
18. Verlaten
19. Mastersegment
20. Titel
21. Snel vooruit
22. Ondertiteling
23. Stop (in Media Browser-videomodus)
24. Pauze
25. AV / Bronselectie


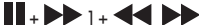
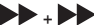




## Algemene bediening

U kunt de Dvd, film-Cd, muziek of foto-Cd inhoud bewerken met de correcte toetsen op uw afstandsbediening. Hieronder ziet u de belangrijkste functies van vaak gebruikte toetsen op de afstandsbediening.

Toetsen op de afstandsbediening	DVD Weergave	Film Weergave	Weergave van afbeeldingen	Muziekweergave
	Afspelen	Afspelen	Afspelen	Afspelen
	Pauzeren	Pauzeren	Pauzeren	Pauzeren
	Stop	Stop	Stop	Stop
	Achterwaarts/ voorwaarts overslaan	Achterwaarts/ voorwaarts overslaan	Roteren	Achterwaarts/ voorwaarts overslaan
	Wijst op een menu-item/ Verschuift het ingezoomde beeld naar onder of naar boven (indien beschikbaar)			
	Snel terug/vooruit spoelen			
<b>Het gebruik van Mijn toets 1</b>	Geeft de tijd weer / Geeft het hoofd set-upmenu weer			
<b>INFO</b>	Tijd tellermodus selectie (tijdens het afspelen). Druk herhaaldelijk tussen modi.			
<b>TAAL</b>	Audiotaal.		X	X
<b>MENU</b>	Geeft het Tv-menu weer.			
<b>OK / SELECT</b>	Enter/Weergeven/Afspelen			
<b>Groene</b>	Geeft de herhaalopties weer.			
<b>RETURN</b>	Keert terug naar het vorige menu (indien beschikbaar).			
<b>Gele</b>	Keert terug naar het hoofdmenu (indien beschikbaar).			
<b>Het gebruik van Mijn toets 2 (*)</b>	Rechtstreekse selectie van scènes of tijd		Selecteert het gewenste bestand.	Selecteert het gewenste bestand.
<b>ONDERTITELING:</b>	Ondertiteling aan-uit. Druk herhaaldelijk om te schakelen tussen ondertitelingopties.		X	X
<b>Blauwe</b>	Geeft schijfmenu weer (indien beschikbaar)	Geeft schijfmenu weer (indien beschikbaar)	X	X
<b>Rode</b>	Zoomt de foto in. Druk herhaaldelijk om te schakelen tussen zoomopties.			

### Andere functies – Toetsencombinaties (tijdens de weergave)

	Langzaam voorwaarts
	Stelt de snelheid in van het langzaam vooruitspoelen.
	Stelt de snelheid in van het langzaam vooruitspoelen.
	Stelt de snelheid in voor het snel terugspoelen.
	Bevestigt de stoppen opdracht.

(\*) U kunt overschakelen naar de titel door rechtstreeks op de numerieke toetsen in te drukken. U moet 0 indrukken en daarna een cijfer toets om de numerieke titels in te schakelen (voorbeeld: om 5 te selecteren, drukt u op 0 en daarna op 5).

## Algemeen afspelen

### Basisweergave

1. Druk op de aan/uit toets.
2. Breng een Cd in de lader in.

De schijf wordt automatisch geladen en het afspelen begint automatisch als de schijf geen menu's heeft.


Na een paar seconden kan er een menu verschijnen op het TV scherm of de film kan onmiddellijk beginnen na de introductie van de filmonderneming. Dit is afhankelijk van de inhoud van de schijf en kan dus variëren.

**Opmerking:** *Stappen 3 en 4 zijn uitsluitend beschikbaar indien een menu werd opgeslagen op de schijf.*

3. Druk op "▼" / "▲" / ◀ / ▶ of de cijfer-toets(en) om de gewenste titel te selecteren.
4. Druk op OK.

De geselecteerde onderdelen worden nu afgespeeld. Het afgespeelde item kan een film zijn, een stil beeld of een andere submenu afhankelijk van de schijf.

### Voor uw informatie:

*Als een actie van een toets verboden is, verschijnt het  symbool.*

### Opmerkingen bij het Afspelen:

1. U zal geen geluid horen tijdens snel vooruit of terugspoelen.
2. U zult geen geluid horen tijdens de langzame weergave.
3. De functie vertraagd afspelen achteruit is niet beschikbaar.
4. In sommige gevallen wordt de ondertitelingstaal niet onmiddellijk in de geselecteerde ondertitelingstaal veranderd.
5. Als de gewenste taal niet geselecteerd wordt ook al drukt u meerdere malen op de knop, dan betekent dat dat de taal niet beschikbaar is op de schijf.
6. Als de speler opnieuw opgestart wordt of de schijf wordt verwisseld, dan verandert de ondertitelingselectie automatisch naar de oorspronkelijke instellingen.
7. Als er een taal wordt geselecteerd en deze taal is niet ondersteund door de schijf, dan wordt de ondertitelingstaal automatisch de favoriete taal op de schijf.
8. Normaal gesproken werkt deze functie in een bepaalde volgorde, d.w.z. dat u de ondertiteling kunt stopzetten door meerdere malen op deze knop te drukken totdat "Ondertiteling uit" op het scherm verschijnt.
9. Als de speler opnieuw opgestart wordt of de schijf wordt verwijderd, schakelt de taal automatisch over naar de oorspronkelijke instellingen. Als deze taal niet op de schijf staat, dan wordt alleen de beschikbare taal op de

schijf weergegeven.

10. Sommige Dvd's hebben geen hoofd en/of titel menu's.
11. De functie beelden achteruit is niet beschikbaar.
12. Voor uw comfort:  
Indien u een poging doet een getal in te toetsen dat groter is dan de totale tijdsduur van de huidige titel verdwijnt het zoekveld en de boodschap "Input Invalid" verschijnt in de linkerbovenhoek van het scherm.
13. Slide Show is uitgeschakeld als de ZOOM modus actief is.

## DVD probleemoplossen

### De beeldkwaliteit is slecht (DVD)

- Zorg ervoor dat het oppervlak van de DVD schijf niet beschadigd is. (Krassen, vingerafdrukken, etc.)
- Reinig de DVD en probeer opnieuw.

*Zie de instructies in de handleiding van uw schijf over hoe uw schijf correct schoon te maken.*

- Verifieer of de DVD in de schijflade ligt met het label naar boven
- Een vochtige DVD of condensatie kunnen het toestel beïnvloeden. Wacht 1 tot 2 uren in stand-by om het toestel te laten drogen.

### De schijf wordt niet afgespeeld

- Er is geen schijf in het toestel. *Plaats een schijf in de lader.*
- De schijf is op onjuiste wijze geladen. *Verifieer of de DVD in de schijflade ligt met het label naar boven*
- Incorrect schijftype. De machine kan geen cd-roms, etc. afspelen. • De regiocode van de dvd moet overeenstemmen met de speler.

### Verkeerde OSD-taal

- Selecteer de taal in het setup menu.
- De taal voor het geluid of de ondertiteling van een DVD kan niet veranderd worden.
- Er werden geen meertalige audio en/of ondertitelingen op de DVD opgenomen.
- Probeer het geluid of de ondertitels te wijzigen in het titelmenu van de DVD. Bepaalde DVD's laten de gebruiker niet toe deze instellingen te wijzigen zonder het menu van de schijf te gebruiken.
- Deze functies zijn niet beschikbaar op de DVD.

### Geen beeld

- Hebt u op de juiste knoppen van de afstandsbediening gedrukt? Probeer het opnieuw.

### Geen geluid

- Controleer of het volume op een hoorbaar niveau staat.
- Controleer of u het geluid niet per ongeluk heeft uitgeschakeld.

### **Vervormd geluid**





- Controleer of de bijbehorende instelling voor de luistermodus juist is.

### **Als er niets werkt**

Indien u bovenstaande oplossingen geprobeerd hebt en niets lijkt te werken, kan u proberen de DVD speler uit te schakelen en opnieuw aan te schakelen. Als het niet zou werken, neemt u contact op met de leverancier of reparateur van de TV-DVD. Probeer nooit een kapotte TV-DVD speler zelf te repareren.



## Opmerkingen over de schijven

Schijftypes (Logo's)	Opslaan Soorten	Speler Lengte	Max. Afspeeltijd	Eigenschappen
DVD 	Audio + Video	12 cm	Enkel zijdig; 240 min Dubbel zijdig; 480 min	<ul style="list-style-type: none"> <li>DVD heeft een fantastisch geluid en video door het Dolby Digital en MPEG-2 systeem.</li> <li>Verskillende scherm- en geluidsfuncties kunnen eenvoudig geselecteerd worden via het menu op het scherm.</li> </ul>
AUDIO-CD 	Audio	12 cm	74 min.	<ul style="list-style-type: none"> <li>Een LP wordt opgenomen als een analoog signaal met meer vervorming. CD is recorded as a Digital Signal with better audio quality, less distortion and less deterioration of audio quality over time.</li> </ul>
MP3-CD 	Audio (xxxx.mp3)	12 cm	Het hang af van de MP3 kwaliteit	<ul style="list-style-type: none"> <li>MP3 wordt opgenomen als een digitaal signaal met een betere geluidskwaliteit, minder vervorming en de geluidskwaliteit gaat minder snel achteruit na verloop van tijd.</li> </ul>
AFBEELDINGEN 	Video (stilstaand beeld)	12 cm	Het hang af van de JPEG kwaliteit	<ul style="list-style-type: none"> <li>JPEG is opgeslagen als digitaal signaal met een betere beeldkwaliteit na verloop van tijd.</li> </ul>

Voor een correcte werking mag u uitsluitend 12cm disks gebruiken.

## Specificaties

<b>Soorten ondersteunde schijven</b>	<b>DVD:</b> SS/SL 4.7" (DVD-5) SS/DL 4.7" (DVD-9) DS/SL 4.7" (DVD-10) DS/DL 4.7" (DVD-18)	CD-DA CD-R CD-RW MP-3/JPEG
<b>Videotype</b>	MPEG-2 Video Standard Decoding (MPEG -1 ondersteund) Full-Screen Videodisplay van 720 x 576 (PAL) & 720 x 480 (NTSC) pixels 50 en 60 Hz beeldverhoudingen (PAL-NTSC) Digital bit-stream processing rate tot 108 Mbts/sec Lijnresolutie meer dan 500 lijnen.	
<b>Soort Audio</b>	MPEG Multichannel Decoding LPCM	
<b>Geluidsuitgang</b>	<b>Analoge Outputs:</b> 24 bit /48, 44.1kHz down-sampling DAC	



50248907