

# CONFERENCE CHAIR

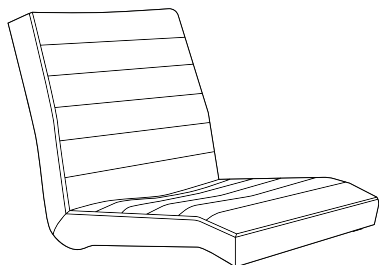


ASSEMBLING INSTRUCTIONS

## INCLUDED PARTS

### SEATING

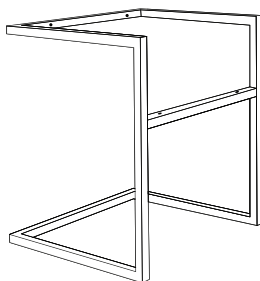
1



1x

### LEGS

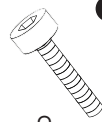
2



1x

### M6x40

3



2x

### M6x18

4



2x

### M5

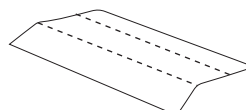
5



1x

### ARM COVER

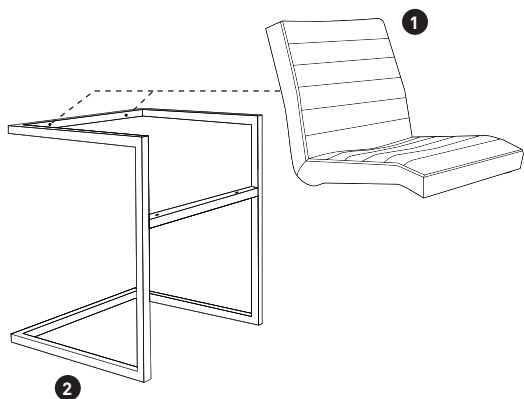
6



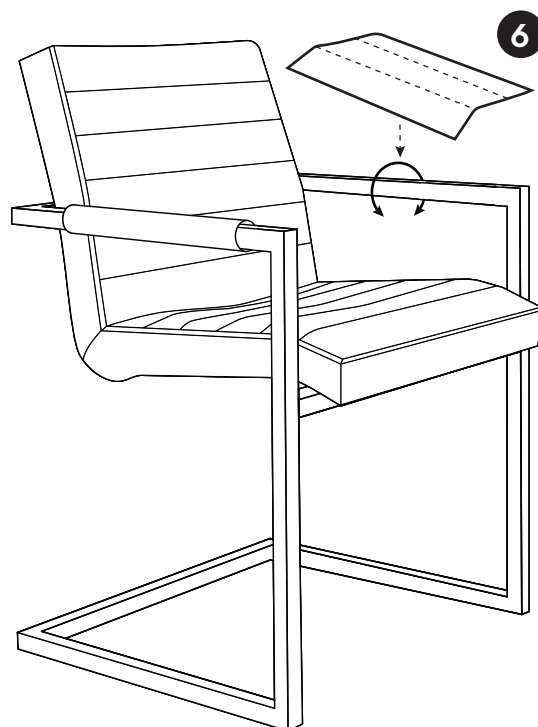
2x

## ASSEMBLING

1



3



2

