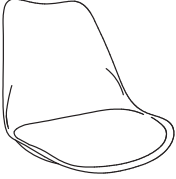
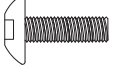
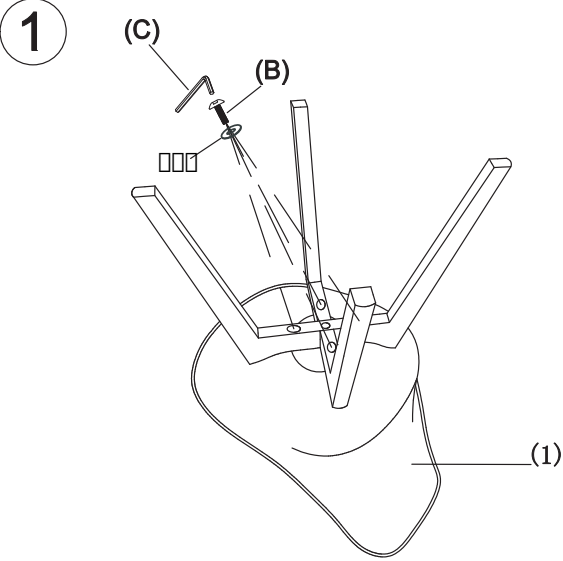
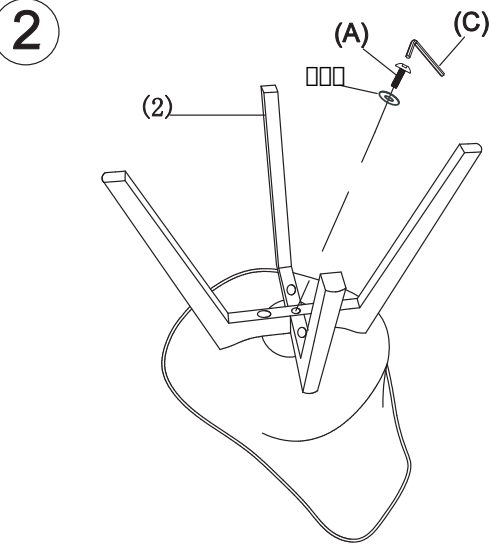

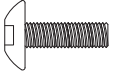
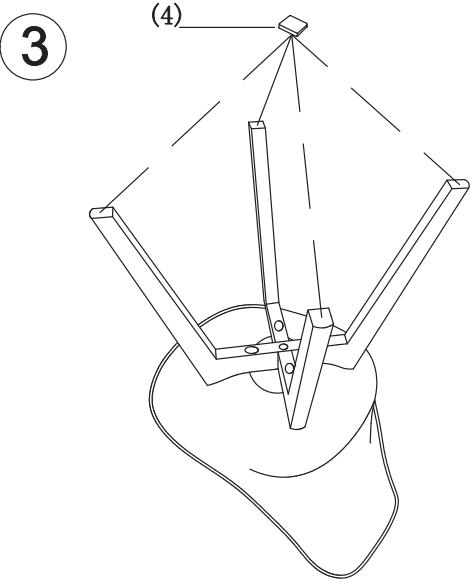
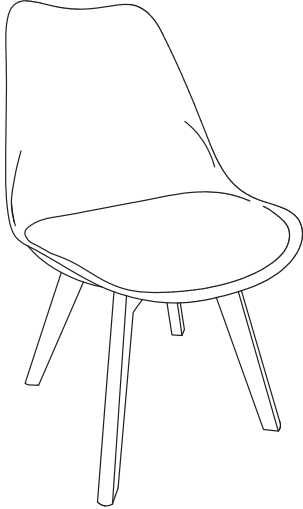
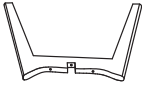
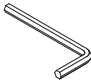
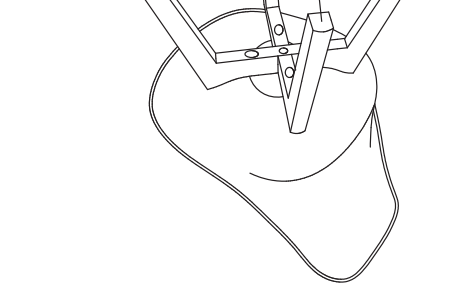
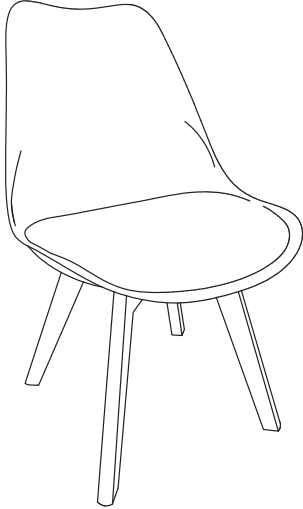
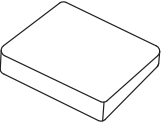

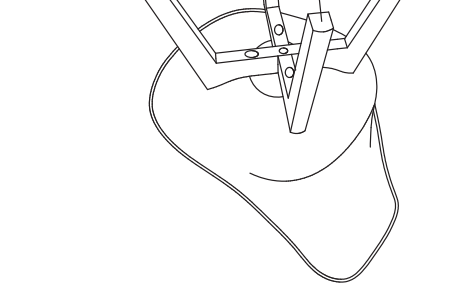


ASSEMBLY INSTRUCTION

<p>(1) x1</p> 	<p>(A) x1 M6*45</p> 	<p>1</p> 	<p>2</p> 
<p>(2) x1</p> 	<p>(B) x4 M6*55</p> 	<p>3</p> 	<p>4</p> 
<p>(3) x1</p> 	<p>(C) x1 M6</p> 	<p>4</p> 	<p>4</p> 
<p>(4) x4</p> 	<p>□□□□</p> 	<p>4</p> 	<p>4</p> 