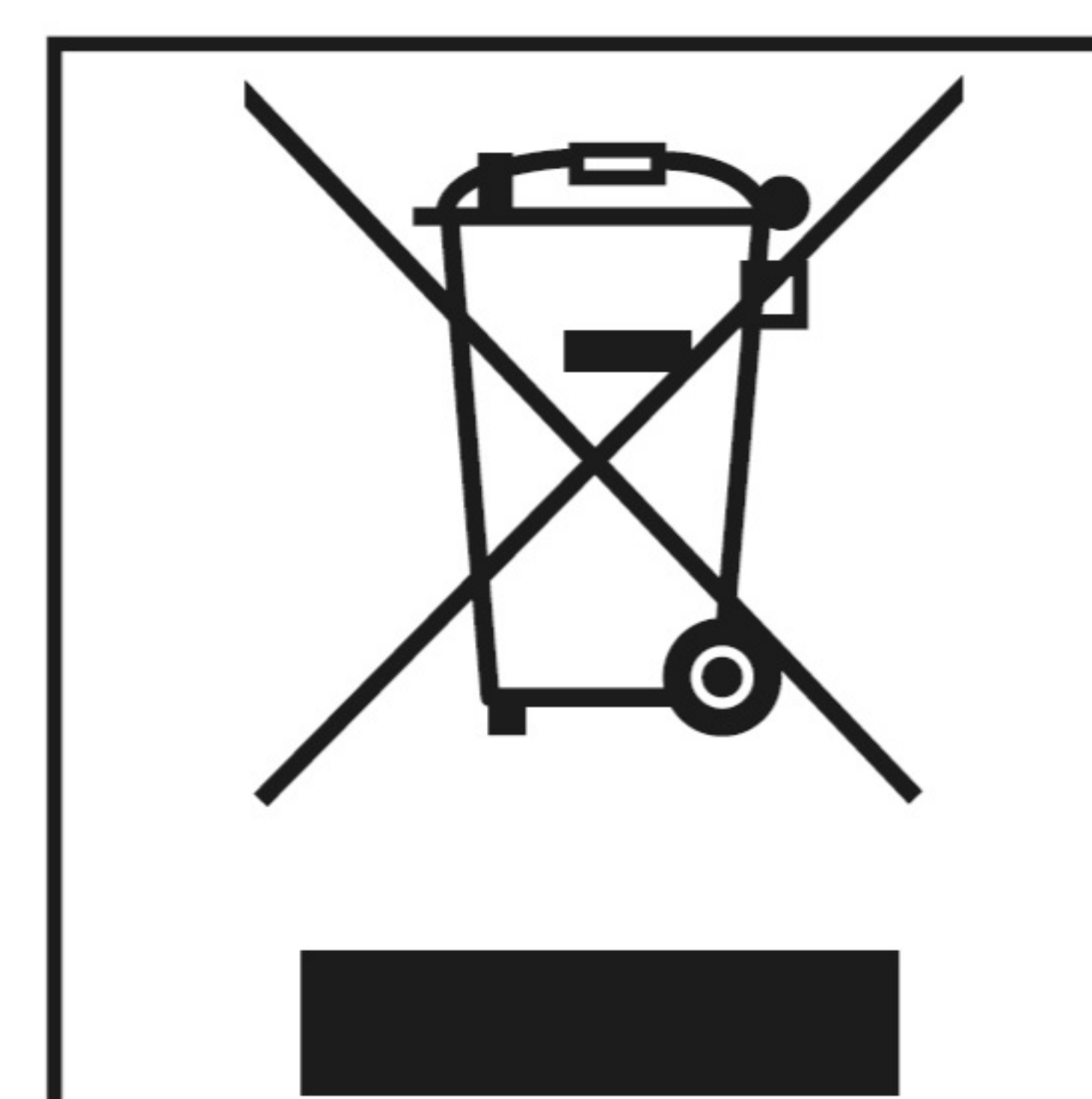
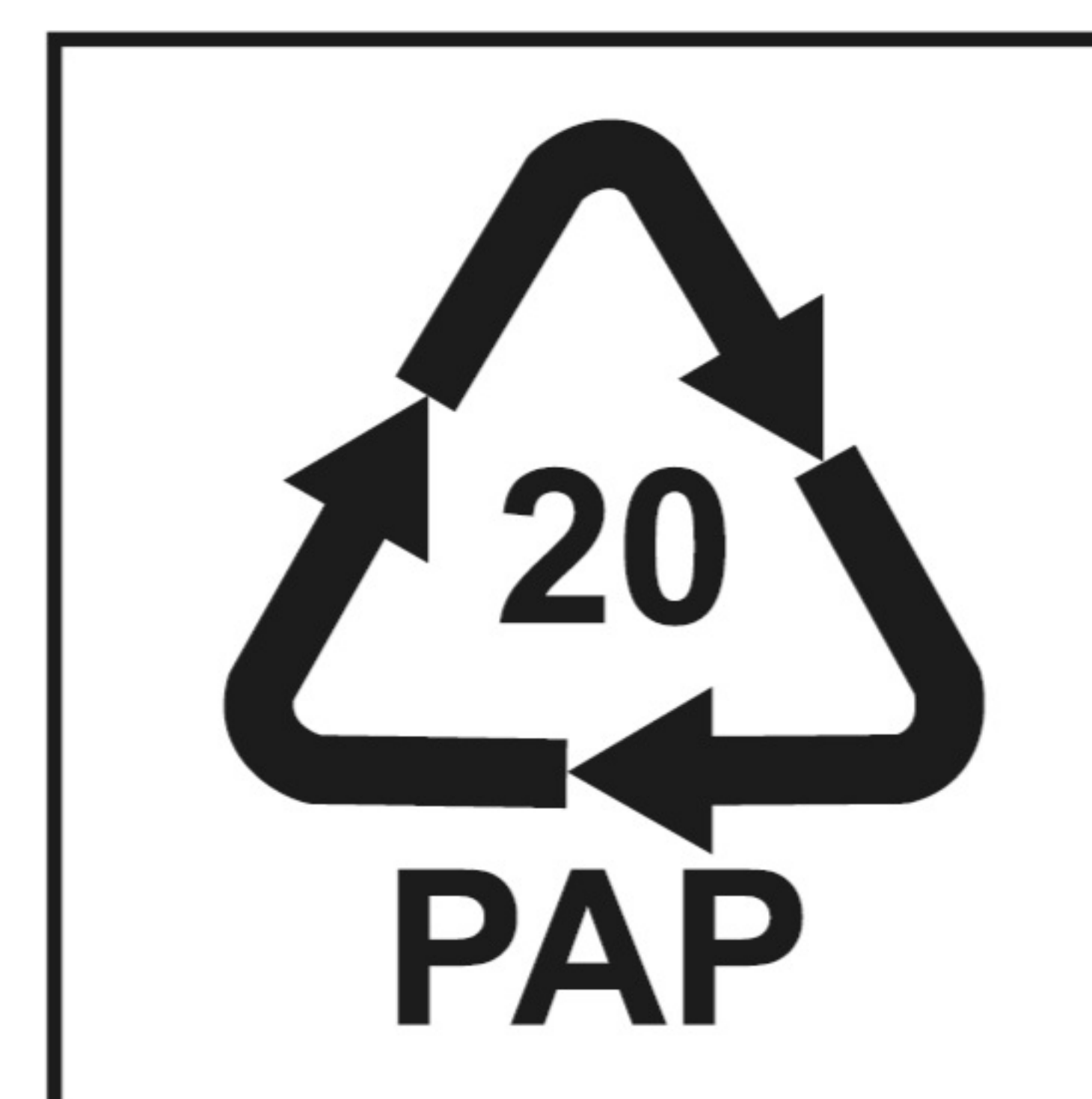
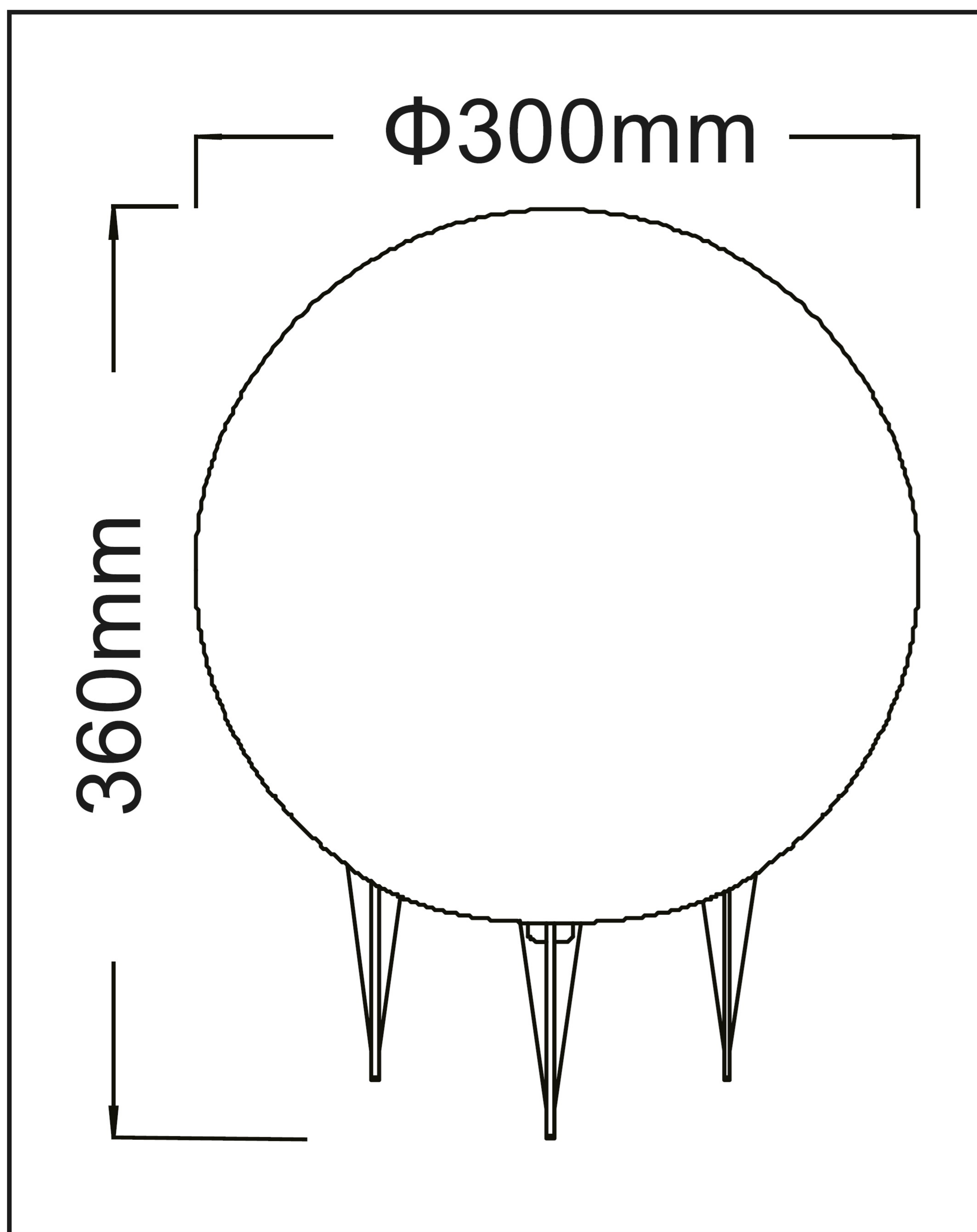


# Art.-Nr.: 300W

White effect Ball light  
incl. 5m Rubber cable  
Input 230-240V~50Hz  
IP65  
E27 max. 25W  
not incl. bulb



Trango GmbH  
Jakobsberg 1  
D-59929 Brilon  
[www.trango.de](http://www.trango.de)

