

# Art.-Nr.:2114

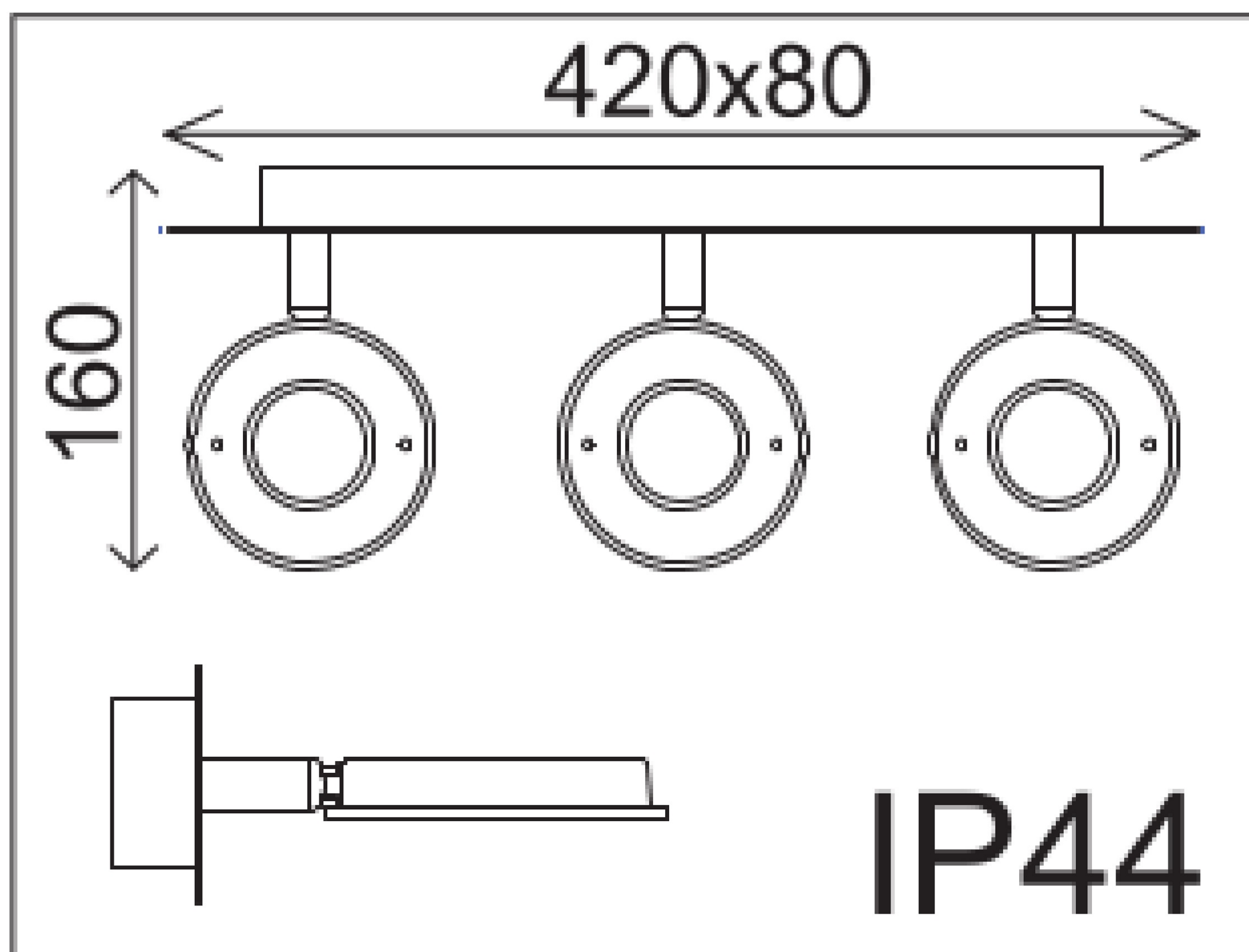
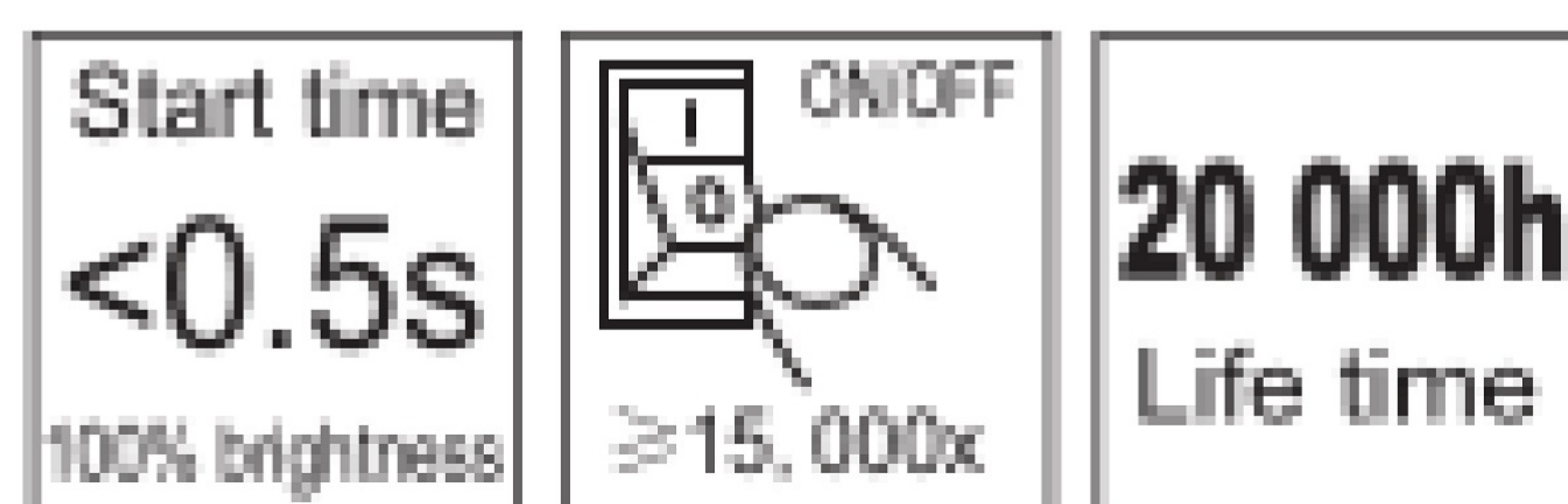
Bathroom lamp

Chrome effect

Input 230V~50Hz

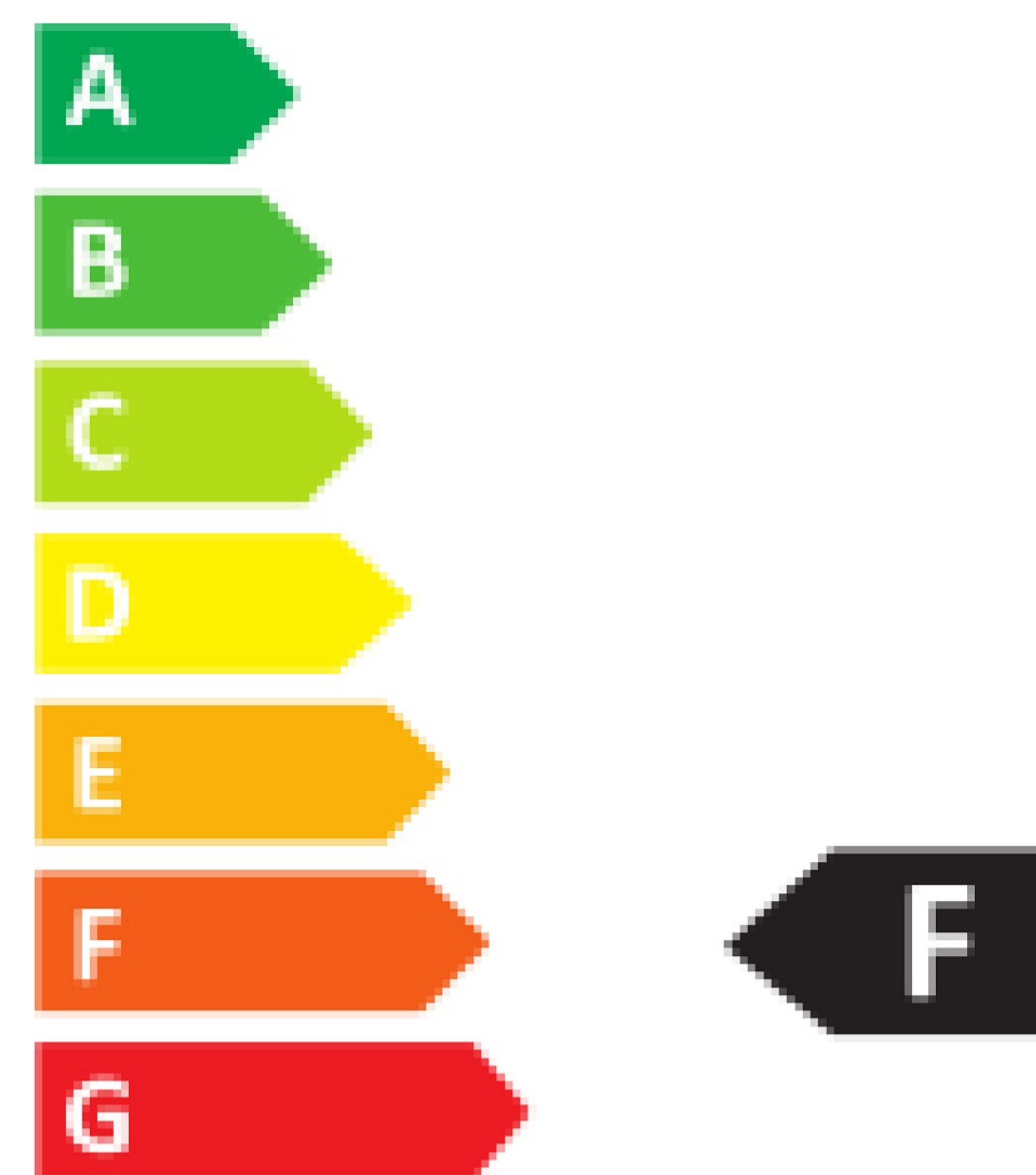
3xLED/3000K/400LM/Ra>80

max. 12W

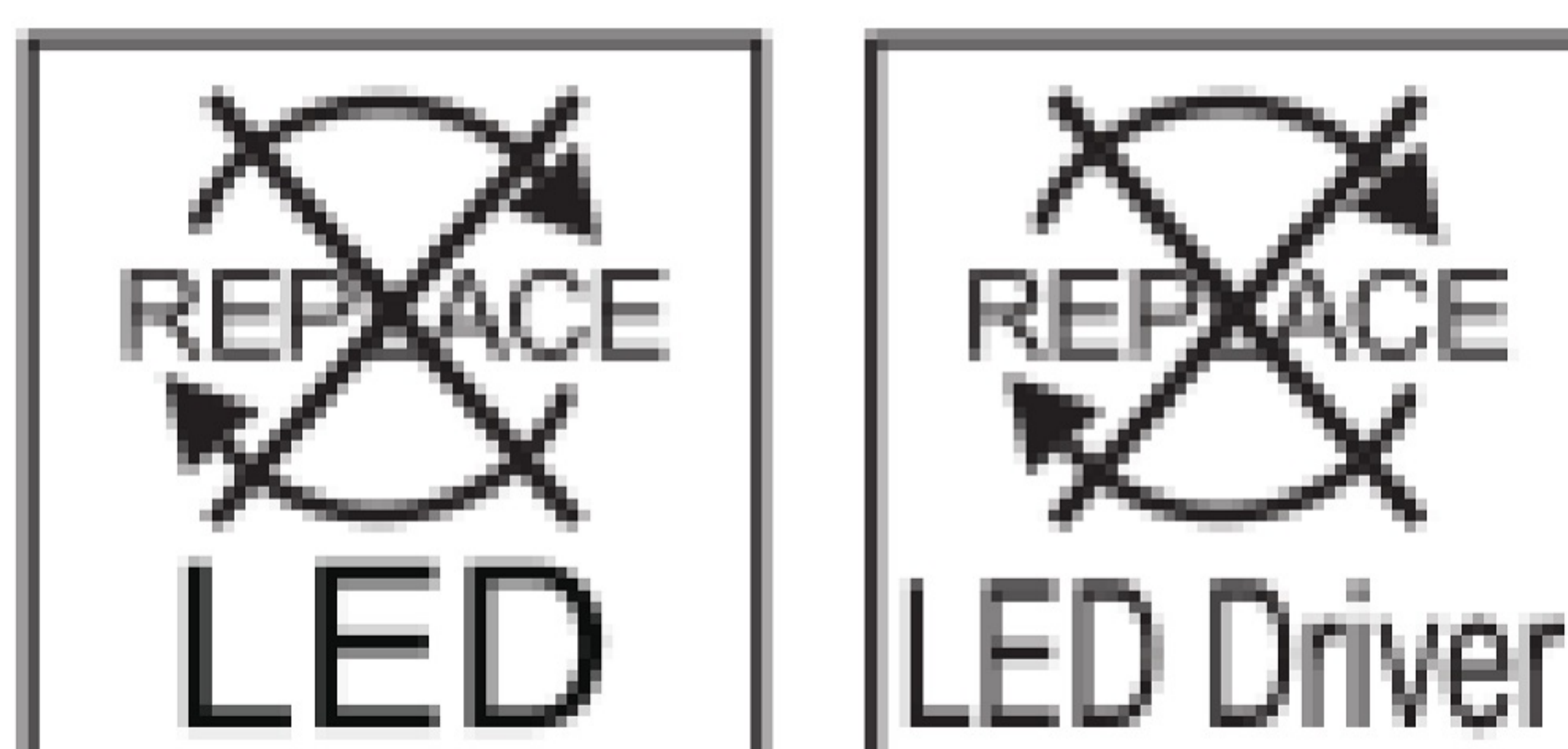


Trango

2114



**12**  
kWh/1000h



Trango GmbH  
Jakobsberg 1  
D-59929 Brilon  
[www.trango.de](http://www.trango.de)

