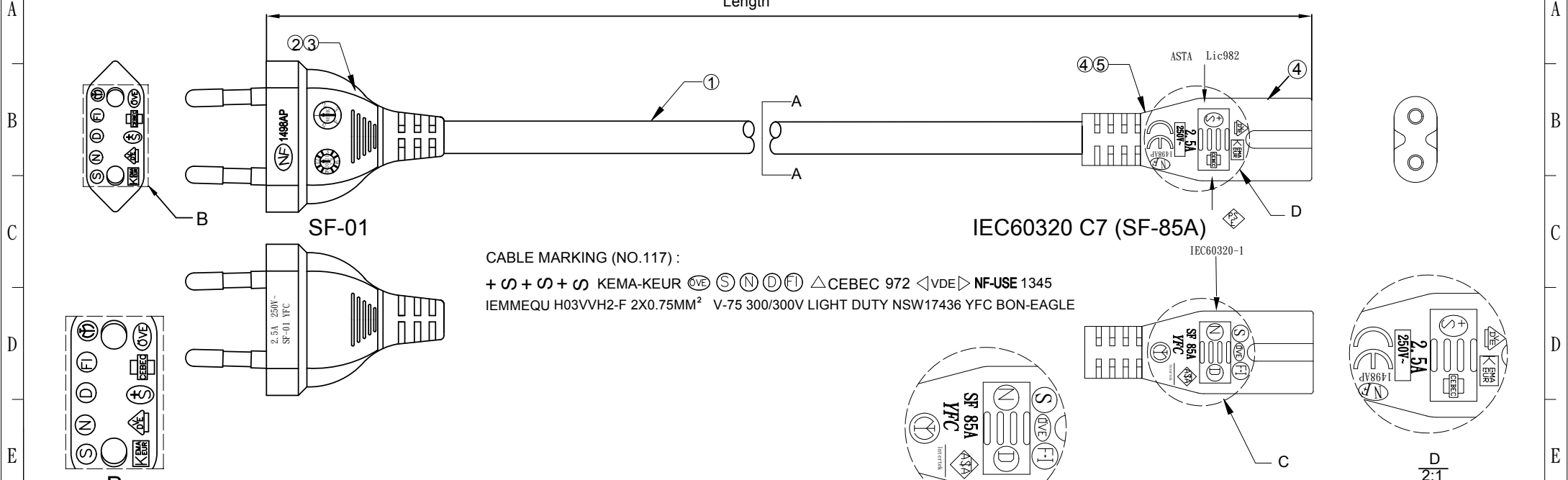


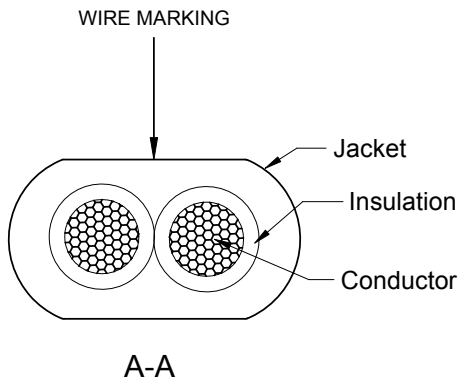
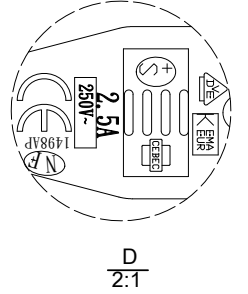
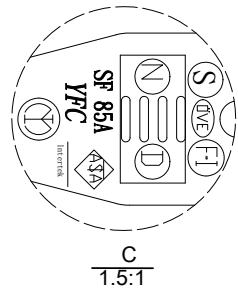
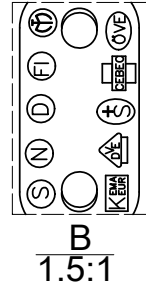
MOLDING:
SF-01
SF-85A

DATE	REV.	REVISION	DRAFTING	CHECKED
2021/05/26	A/0	Initial	Bob.Chen	



CABLE MARKING (NO.117) :

+ + + + KEMA-KEUR CE BEC 972 <VDE> NF-USE 1345
IEMMEQU H03VVH2-F 2X0.75MM² V-75 300/300V LIGHT DUTY NSW17436 YFC BON-EAGLE



Item	Color	RAL NO. (similar to)	Length
AK5479	BLACK	RAL9011	250+15/-10
AK5417	BLACK	RAL9011	1000+15/-10
AK5418	BLACK	RAL9011	2000±20
AK5419	BLACK	RAL9011	5000±30
AK5020	BLACK	RAL9011	1500±20
AK5240	WHITE	RAL9003	1500±20
AK5241	WHITE	RAL9003	3000±30
AK5242	BLACK	RAL9011	3000±30

Polarity and Conduction and Penetration Test	
Dielectric Voltage Withstand Test : 2000V / 1 Sec	
Electrical Performance (20°C)	
Item	Parameter
Conductor Resistance	≤ 26.0Ω/1000m
Voltage Rating	AC 300V

No.	TITLE	DESCRIPTION	Q'TY
⑤	Molding	40P PVC BK	A/R
④	Terminal	IEC320 C-7 female connector (SF85A) ,one-pieces inner frame,black	1PC
③	Molding	50P PVC BK	A/R
②	Terminal	European standard,2Pin of 2.5A,crimp mouth 1.5mm with nickel plated,one-pieces inner frame,black	1PC
①	CABLE	H03VVH2-F 2X0.75MM ² BK PVC	A/R

Unless specified on the drawing, tolerances are per the follows:

X. ±0.20 X° ±3
X ±0.10 X° ±0.3
.XX ±0.05

DRAW. NO	YFAC-S210109	TITLE	H03VVH2-F 2CX0.75MM ² SF-01 TO SF-85A CABLE ASS'Y		
CUSTOMER	ACT	DRAW	Bob.Chen	DATE	2021.05.26
CUST' R P/N	--	CHECK		DATE	
SCALE	NONE	APPROVED		SHEET	1 of 1

Cable Spec NO.	--	Part Number	--	Note	<input type="checkbox"/> RoHS2.0	<input type="checkbox"/> Reach	<input type="checkbox"/> GP	<input type="checkbox"/> HF	<input type="checkbox"/> Other
----------------	----	-------------	----	------	----------------------------------	--------------------------------	-----------------------------	-----------------------------	--------------------------------