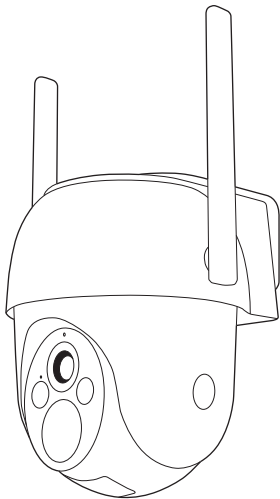


GO2T(Q)

.....

QUICK GUIDE

WiFi Outdoor P/T Battery Wireless Camera



Quick start guide

1. Packing list
2. Product description
3. Installation
4. Product configuration
5. Specification
6. Legal notice

1. Packing list



Camera X1



Bracket X1



Power adaptor X1
(optional)



Screw package X1

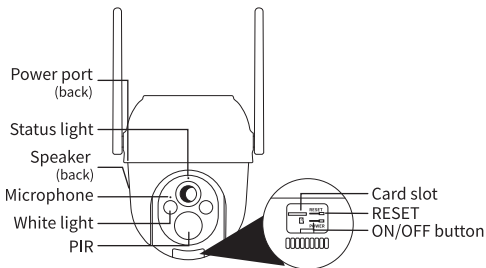


Power cable X1



Quick guide X1

2. Product description



Notice

To reset the device, press and hold the reset button for 5s.

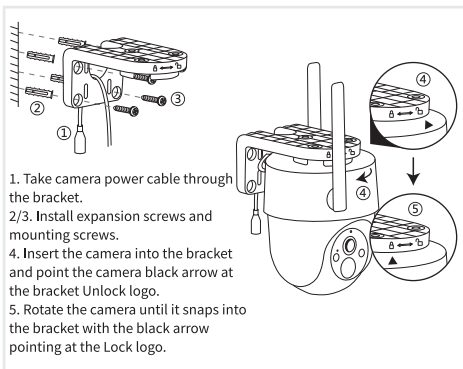
The camera beeps when the operation is completed.

Status light of camera:

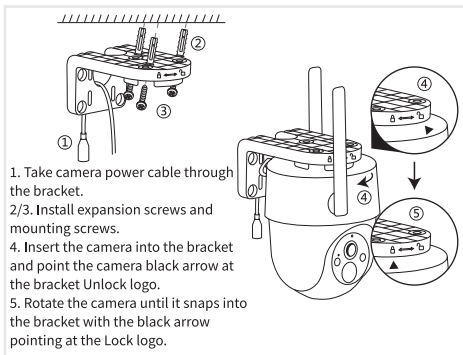
Flashing red light (slow)	Wait for network config
Flashing red light (fast)	Connecting the network
Fixed red light	Camera is malfunctional
Fixed blue light	Camera is working correctly

3. Installation

Wall Mounting



Cell Mounting



4. Product configuration

Scan QR code to download and install the Arenti APP. Or you can search "Arenti" on App Store (iOS) or Google Play (Android).



Registration

Open the App. If you are a new user, tap to create a new account and follow the prompts to complete account setup.

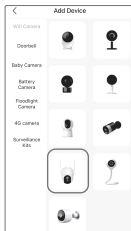
Note: Please read and agree to the Privacy Policy and Terms of Use before creating your account.

Pairing

Open App home page, click "+" >> "Add Device" or "Add" and select icon according to actual camera.

Power on the device. For about 30s, the camera will emit start-up tone and LED indicator will flash red slowly.

Note: When pairing, please put the camera and mobile phone close to the router. If camera is not in the red slow blinking after 30 seconds of powering on, press and hold the reset button for 5s to reset, and then restart to pair the camera with the APP.



Select the Wi-Fi network and input the password, and then click "Next". Make sure that your phone has connected to a fluent and steady Wi-Fi already.



support@arenti.com

Click “Next” and use the camera to scan the QR code in the App on your mobile phone, when the sound “dong dong dong” is heard, click “Notification tone heard.”, and then the LED indicator will become solid blue after few seconds.



If no device is found and the pairing process is not successful, please refer to the following instructions:

1. Ensure that the Wi-Fi network is set to 2.4GHz.
2. Verify that the entered Wi-Fi password is correct and that the mobile device is connected to the same Wi-Fi network.
3. Make sure the camera is in pairing mode.
4. Check for network activity on your Wi-Fi.

If none of the solutions work or if you have any other issues, please contact support@arenti.com for assistance.

Notice

If you have multiple cameras, please follow steps again to add devices one by one.

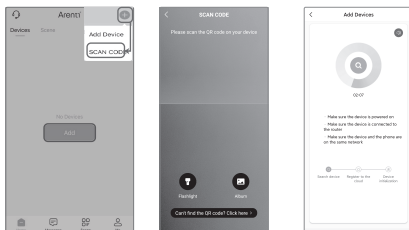
To change Wi-Fi network, please restore the camera to factory settings and follow steps to add the camera.

support@arenti.com

Pairing via Bluetooth (exclusively for GO2Q)

Turn on your phone's Bluetooth.

Open APP home page, click "+" >> "Scan Code", then scan the QR code pasted on the device casing with the App of your phone, and add the camera to the App.




5. Specification

Product name	GO2T	GO2Q
Resolution	2304 x 1296	2560 x 1440
Angle of view	100°	
IR Distance	Up to 10m	
Working temp	-20°C to 50°C	
Local storage	Micro SD card (Max. 128GB)	Micro SD card (Max. 256GB)
Input power	DC 5V / 1A	
Consumption	Max. 4W	
Supported phone OS	iOS 9 / Android 5.0 and above version	
2.4GHz Wi-Fi	2412-2472 MHz (Max. power < 20dBm)	

6. Legal notice

Support www.arenti.com

Symbols  Direct current (DC)



Don't throw batteries or out of order products with the household waste (garbage). The dangerous substances that they are likely to include may harm health or the environment. Make your retailer take back the products or use selective collect of garbage proposed by your city.



Hereby, we declares that the radio equipment type 'GO2T(Q)' is in compliance with the Directive 2014/53/EU

The full test of the EU declaration of conformity is available at the following Internet address:
www.arenti.com



FCC Statement

This equipment has been tested and found to comply with the limits for a Class B digital device, pursuant to part 15 of the FCC Rules. These limits are designed to provide reasonable protection against harmful interference in a residential installation. This equipment generates, uses and can radiate radio frequency energy and, if not installed and used in accordance with the instructions, may cause harmful interference to radio communications. However, there is no guarantee that interference will not occur in a particular installation. If this equipment does cause harmful interference to radio or television reception, which can be determined by turning the equipment off and on, the user is encouraged to try to correct the interference by one or more of the following measures:

- Reorient or relocate the receiving antenna.
- Increase the separation between the equipment and receiver.
- Connect the equipment into an outlet on a circuit different from that to which the receiver is connected.
- Consult the dealer or an experienced radio/TV technician for help.

FCC Radiation Exposure Statement

This device complies with FCC radiation exposure limits set forth for an uncontrolled environment and it also complies with Part 15 of the FCC RF Rules. This equipment must be installed and operated in accordance with provided instructions and the antenna(s) used for this transmitter must be installed to provide a separation distance of at least 20 cm from all persons and must not be co-located or operating in conjunction with any other antenna or transmitter. End-users and installers must be provide with antenna installation instructions and consider removing the no-collocation statement.

This device complies with Part 15 of the FCC Rules. Operation is subject to the following two conditions: (1) this device may not cause harmful interference, and (2) this device must accept any interference received, including interference that may cause undesired operation.

Caution!

Any changes or modifications not expressly approved by the party responsible for compliance could void the user's authority to operate the equipment.

Safety Information

Power Adapter Safety:

1. The power plug is intended to serve as a disconnect device. Do not drop or cause an impact to the power adapter.
2. If the power cable is damaged (for example, the cord is exposed or broken), or the plug loosens, stop using it at once. Continued use may lead to electric shocks, short circuits, or fire.
3. Do not touch the device or the power adapter with wet hands. Doing so may lead to short circuits, malfunctions, or electric shocks.

Child's safety

1. Comply with all precautions with regard to child's safety. Letting children play with the device or its accessories may be dangerous.
2. The device and its accessories are not intended for use by children. Children should only use the device with adult supervision.

Operation safety

1. Use the device under allowed humidity and temperature conditions.
2. Do not aim the device at strong light sources (such as lamplight, and sunlight) when focusing it, to avoid reducing the lifespan of the CMOS sensor, and causing overbrightness and flickering.
3. Observe local laws and regulations, and respect the privacy and legal rights of others.

© 2023. All rights reserved. All trade names are registered trademarks of respective companies. Apple, the Apple logo, iPhone are trademarks of Apple Inc. registered in the U.S. and other countries. Google, the Google logo, Android are trademarks of Google Inc. App Store is a service mark of Apple Inc. Google Play is a service mark of Google Inc.

V1.1 202311