

NOMINEE
SWEDISH
DESIGN
AWARD



INTELLIVENT
FULLY AUTOMATIC
HUMIDITY CONTROL

MANUAL

FRESH INTELLIVENT®

EN

DE

FR

NL

SILENT

MAX

5
YEAR
WARRANTY

Fresh
Ventilation

Thank you for choosing this product from Fresh. Before you install and use the fan you should read through this guide/manual. Please retain it for future reference

Warning!

This appliance is not intended for use by persons (including children) with reduced physical, sensory or mental capabilities, or lack of experience and knowledge, unless they have been given supervision or instruction concerning use of the appliance by a person responsible for their safety.

Children should be supervised to ensure that they do not play with the appliance.

If the supply cord is damaged, it must be replaced by the manufacturer, its service agent or similarly qualified persons in order to avoid a hazard.

- 4 Introduction**

- 5 Installation guide**
 - Contents
 - Installation
 - Wiring
 - Brief functional description
 - Quick setup

- 12 Description**
 - Comprehensive features, etc.
 - Humidity control
 - Timer
 - Speed control
 - Control panel
 - LED indicators

- 22 Maintenance**

- 24 Guarantee**

- 24 Recycling**

- 25 Accessories**

- 26 Technical data**

- 27 Troubleshooting guide**

- 30 Index**

Fresh Intellivent is a completely new type of bathroom fan that sets a completely new standard for this type of product. The starting point has been to provide a significantly higher level of user-friendliness, at the same time as new technology is introduced. In other words – a new generation of fan.

Over a period of many years we have gathered information from our customers on their needs. This has provided the inspiration for a large number of innovative functions that make it easier for you, the user, to let the fan do its job, just the way you want.

Important aspects for customers have been, among others: design, user-friendliness, life span, noise level, cleanability and power consumption.

1. Contents

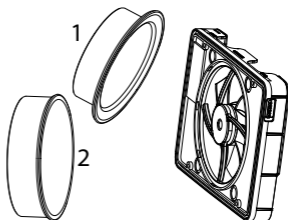
The packaging should contain the following:

- Fan
- 2 adapters, 1 x Ø98 mm and 1 x Ø118 mm
- Guide
- Accessory bag with 4 screws and plugs, a pull cord with toggle, and an insulating sleeve for the standard cable type (FK)

2. Installation

The fan must not be installed in an environment where the temperature can exceed 50 °C.

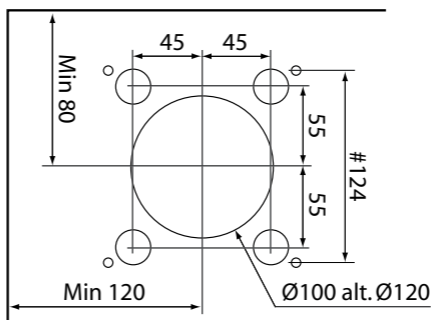
If required, attach a suitable adapter to the fan's chassis, Ø98 (1) for a Ø100 duct or Ø118 (2) for a Ø125 duct.



The fan can also be installed and used without an adapter, full surface-mounted installation, e.g. with ducts less than Ø98.

When installing the fan, check that there is a seal between the pipe/duct and wall/ceiling to prevent humid air from penetrating the wall or ceiling. Use the accompanying screw and plug, if necessary.

Mounting dimensions



3. Wiring

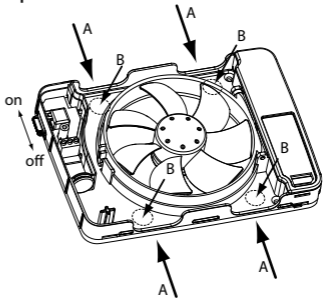
Installation work should be performed by a qualified electrician.

- The fan is double insulated and must not be earthed
- Push the safety switch up to position 0, the Off position.
- The cable can be installed either along the surface using inlets A in the chassis or concealed using inlets B in the chassis. Both options are shown below. Use the supplied insulating sleeve for the cable (FK).
- If you use any of the B inlets, remove the concealed round plastic cover by tapping inside the break-off notch from the inside out to the back with a screwdriver, for example.

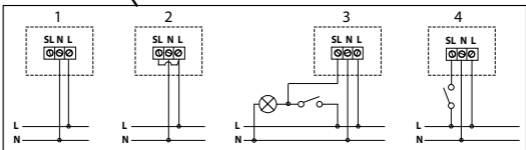
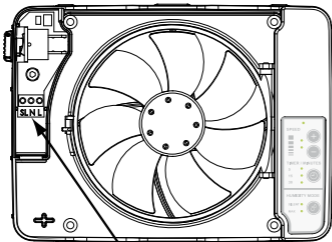
Cable inputs

A = surface-mounted

B = concealed



Wiring diagrams



4. Brief functional description

The fan can be installed in four ways depending on the function as detailed below:

Humidity control only, wiring diagram 1

1 The fan is connected using constant phase (L) and neutral (N) for automatic humidity control.

The timer can be activated manually by fitting a pull cord and pulling on this.

Constant low speed + humidity control, wiring diagram 2

The fan is connected using constant phase (L) and neutral (N) for automatic humidity control.

Phase (L) is linked to switched live (SL) for constant low speed. When humid air is present the fan runs in the selected mode of silent or maximum. Once the humid air has been expelled, the fan returns to running at low speed. You can adjust the low speed setting using the speed buttons (plus or minus) on the control panel.

Humidity control + timer with light switch, wiring diagram 3

The fan is connected using constant phase (L) and neutral (N) for automatic humidity control.

Switched live (SL) is connected to activate the fan's timer, i.e. when the bathroom light is switched on, current is present at switched live. This option offers a delayed start of 90 seconds before the fan starts. When the light is switched off, there is a delay of 5, 15 or 30 minutes before the fan stops (post-running time), depending on your preferred control panel setting.

Humidity control + timer with momentary switch, wiring diagram 4

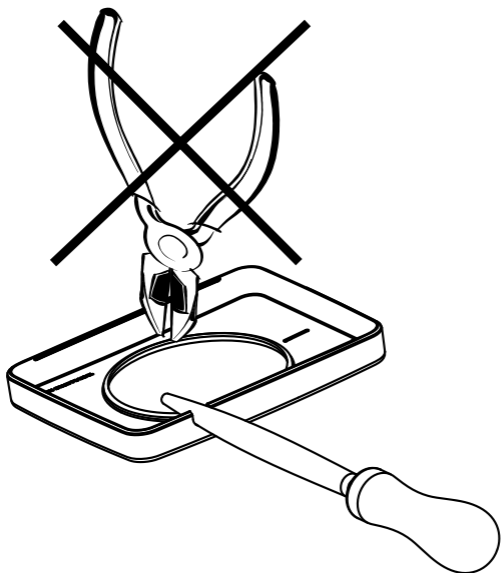
The fan is connected using constant phase (L) and neutral (N) for automatic humidity control.

Switched live (SL) is connected to activate the fan's timer, with a momentary switch. With this setup, the fan starts immediately. The delay before the fan stops is 5, 15 or 30 minutes (post-running time), depending on your preferred control panel setting.

For wiring diagrams for 1-4, see page 7.

NOTE!

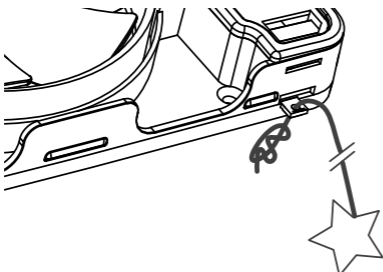
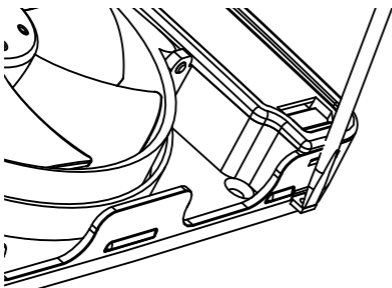
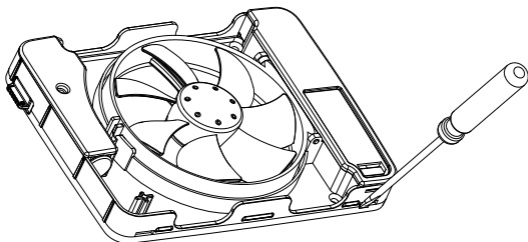
Use an ordinary round file to create a suitably placed smooth cutout in the front cover. Do NOT use pliers or similar tools, as these may cause the cover to crack.



Connecting the pull cord switch

If desired, a pull cord can be installed for activating the timer manually.

Remove the mounting plate using a screwdriver, for example, and thread the accompanying pull cord through the hole as illustrated below.



- Once installation is complete, push the safety switch down to position I – the fan is active.

When the fan is connected to the power supply, it also performs a self-test where control functions, the LEDs, and the motor function are all tested.

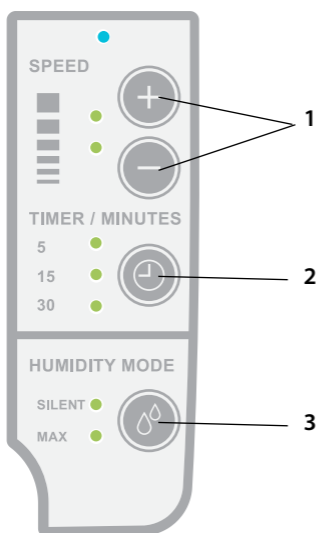
5. Quick setup of the control panel

You can use the control panel to adjust preferred functions quickly and easily.

1 Set the preferred speed for the timer function using the plus and minus buttons. To quickly reset to the factory speed setting, push both the plus and minus buttons simultaneously.

2 Set the preferred post-running time of 5, 15 or 30 minutes for the timer function using the Timer button. *(If you choose to use a timer.)*

3 Select the preferred humidity mode, silent or maximum capacity.



The fan is now ready for use. For a more detailed description of functions, etc., see the Description section on page 12.

DESCRIPTION »

- **Comprehensive features, etc.** 14
- **Humidity control** 16
- **Timer** 17
- **Speed control** 18
- **Control panel** 20
- **LED indicators** 21

Life span

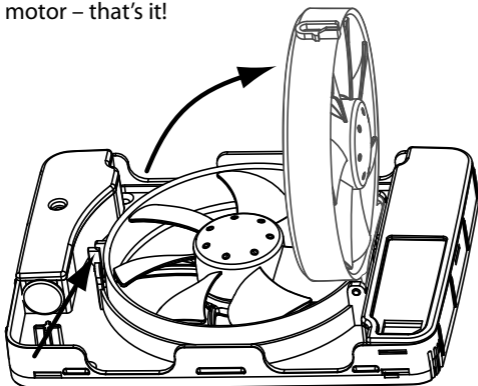
As there is an integrated power adapter in the fan we have been able to use a low voltage motor that has a life span of approximately 60,000 hours. This is about 3-5 times longer than a standard fan. The motor uses extremely quiet bearings. You can now also let the fan run continuously without risk of failure after one year.

Two fans in one – different dimensions, both 100 & 125

For the first time we can also introduce a bathroom fan for which you are free to choose the dimension. The fact that you can choose whether you want 100 or 125 is a major advantage, as these are the two sizes usually used for exhaust air ducts. If you choose to use size 125, the noise level is even lower and the capacity even higher. Thus, with two sizes of adapter available, you get two fans in one pack!

Cleanability – naturally

A very popular function being introduced for this product is the ability to simply open the centre of the fan and gain access to the duct. Using the "swing-out" function you can easily clean and clear clogged grilles on the outside of the façade, for example. Press the snap-in catch and swing out the motor – that's it!



Extremely quiet

The design of the low voltage motor used in the fan ensures silent operation. Those of you who previously had a fan with a conventional AC motor will hardly notice that your Intellivent is running when it is installed and operational. Tests show that today Fresh Intellivent is the quietest fan on the market.

Integrated safety switch

In principle, no fan on the market today has an integrated safety switch. European electrical safety standards require any permanent electrical apparatus installed to be preceded by an omnipolar switch. This means that you must install a separate switch on the wall before the cable reaches the fan. Fresh Intellivent has an integral omnipolar switch which means you do not need to install a separate switch. As standard. Very cost efficient for you, the consumer, and it also guarantees a quicker installation time – very smart.

Airing function

Fresh Intellivent has an integrated function which means that when the fan has been inactive for 16 hours, it runs an airing program for 60 minutes to air and exchange the air in the bathroom. No more worries about stuffy, musty odours in the bathroom when you have been away for a while.

Power consumption

By using a low voltage motor we can significantly reduce power consumption. The fan only consumes 5 watts, about a third of what a conventional bathroom fan uses.

Full surface-mounted installation

Fresh Intellivent is designed so that it can be fully surface-mounted if you choose not to install a 100 or 125 adapter. This is ideal if you have a duct that measures less than 100 mm or a duct that bends directly after the hole. No other conventional bathroom fan is able to offer full surface mounting. Don't worry, we have considered other options as well. Provided the fan does not protrude by more than 30 mm, there is still plenty of room for connecting cables (both FK and EKK) for quick and easy installation!

Design

With Fresh Intellivent, we are introducing a brand new front cover design. By making the cover of colourless ABS plastic and then painting the inside with high-quality water-based metallic paint, we have managed to obtain a surface depth that is aesthetically pleasing and in harmony with other modern bathroom fixtures. The covers can be produced in different colours to satisfy different material and colour options. The visible blades give the fan a retro feel and ensure a very low noise level.

One world – one version

Thanks to the integrated power adapter, both frequency and voltage are adapted to suit the fan motor, meaning you can install the fan anywhere in the world, 50 or 60 Hz or 115 or 230 volts – it makes no difference. However, you must take national electrical safety regulations into consideration. Fresh Intellivent is currently only approved for the whole of Europe. Approval in other areas to follow.

Automatic moisture detection system

Fresh Intellivent is equipped with a brand new generation of humidity control system and is designed to further simplify operation for you as a user.

For the first time we can now introduce fully automatic humidity control, which means the fan learns to run only when it can make a difference.

This means that the fan no longer needs to be adjusted manually to start when there is excessive moisture in the air. All of today's humidity-controlled fans require this kind of manual adjustment, and adjustments are affected by season.

The integrated "sniff" function means the fan is continually asking itself whether it is making a difference. If the fan can lower the humidity of the air, it starts automatically. This "intelligence" is controlled via an integrated microprocessor, which uses software newly developed after years of testing in different environments. When the fan is unable to lower the humidity any further, it stops.

The fan also has two capacity modes for humidity control, silent or max.

If you have set the fan to silent mode, the fan runs as per its basic specification. This equates to normal capacity, but the noise level is extremely low. If you have set the fan to maximum mode, the fan runs at maximum speed and its capacity is about 30 % higher than an equivalent standard fan.

If you have a small bathroom, silent mode is the obvious choice. If you have a large bathroom, you can also choose maximum mode and the higher capacity, especially if you have selected dimension 125.

If you want to relax in the bath and temporarily turn off the fan even if the humidity function is active, pull the pull cord (if installed) and the fan will switch off (pause) for one hour. The humidity function is re-activated when the fan resumes operation.

You can also cancel the forced stop function at any time by pulling the cord again. The fan then resumes operation with the humidity function running.

Timer

Fresh Intellivent has an integrated timer that you can activate in several different ways, either via the light switch, pull cord or a separate switch, standard or momentary. You can also link switched live with phase in the fan, which means the fan can run non-stop. The control panel can easily be used to set the required post-running time of 5, 15 or 30 minutes, depending on the size of your bathroom. If the fan is activated by the light switch, there is a turn-on delay of 90 seconds. If you are only in the bathroom briefly, the fan will probably not need to start. The green LED flashes faster and faster until the fan starts; the LED then remains lit.

The fan's timer can be connected in four different ways as follows:

1. Activation with pull cord

Attach the supplied pull cord and activate the fan's timer by pulling on the cord.

With this setup, the fan starts immediately.

The delay before the fan stops is 5, 15 or 30 minutes (post-running time), depending on your preferred control panel setting.

You can cancel the timer function by pulling on the cord a second time.

2. Constant timer function (low speed)

If phase (L) is linked to switched live (SL), the fan runs constantly at the selected speed.

Typically, a lower speed is selected for constant operation to ensure silent operation at minimum capacity.

When humid air is present the fan runs in the selected mode of silent or maximum.

Once the humid air has been expelled, the fan returns to running at low speed.

You can adjust the low speed setting using the speed buttons (plus or minus) on the control panel.

3. Connection to light switch

Switched live (SL) is connected to activate the fan's timer, i.e. when the bathroom light is switched on, current is present at switched live.

This option offers a delay of 90 seconds before the fan starts.

When the light is switched off, there is a delay of 5, 15 or 30 minutes before the fan stops (post-running time), depending on your preferred control panel setting.

4. Connection to momentary switch

Switched live (SL) is connected to activate the fan's timer using a momentary switch. With this setup, the fan starts immediately. The delay before the fan stops is 5, 15 or 30 minutes (post-running time), depending on your preferred control panel setting.

Integrated speed control

Fresh Intellivent also features an integrated speed control that controls the fan's capacity when the timer is enabled. If you have linked switched live (SL) with phase for continuous operation, you may decide, for example, to let the fan run at low speed for silent operation. When the fan next detects humid air it switches to the function and speed you have chosen, silent or max mode. It is, however, the maximum speed that controls the fan, i.e. if you have set a higher speed for the timer than the speed selected for silent mode with humidity control, the fan will always run at the higher speed. Using a lower speed for the humidity function when you have continuous operation would be illogical. Typically, a lower speed is selected for constant operation, ensuring silent minimum capacity.

When humid air is present the fan runs in the selected mode of silent or maximum.

Once the humid air has been expelled, the fan returns to running at low speed.

You can adjust the low speed setting using the speed buttons (plus or minus) on the control panel.

You can use the control panel's speed buttons to select your preferred speed when the fan's timer is active. When the fan is installed for the first time it is set to normal capacity and speed. The LEDs for both the plus and minus buttons are lit.

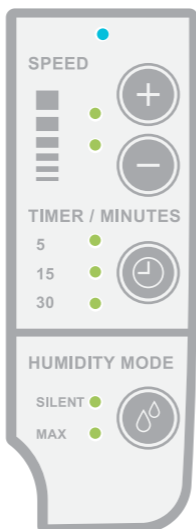
To increase the speed, press the plus button until you reach the desired speed. There are four separate intervals up. You cannot hold the button down to increase the speed, you must press and release the button each time. The speed increases by 7 per cent each time you press the button. If you have increased the speed from that used for normal mode, only the LED for the plus button lights up.

If you want to reduce the speed, press the minus button until you reach the desired speed. There are six separate intervals down. You cannot hold the button down to reduce the speed, you must press and release the button each time. The speed is reduced by 6 per cent each time you press the button. If you have reduced the speed from that used for normal mode, only the LED for the minus button lights up.

To return to normal speed, press both buttons simultaneously and both speed LEDs light up again.

Control panel

Until now there has been no easy way to demonstrate the functions of a bathroom fan, or to easily set and control the fan to suit personal preferences. Our aim has been for you as a user to be able to control and understand basic fan functions without having to read the guide. And we think we have succeeded. If the control panel is not used for 30 seconds, it enters standby mode and all the LEDs go out (except possibly the one indicating current fan function). To re-activate the control panel, press any button once. Settings are not changed until you press another button. The buttons on the control panel are good for at least one million operations, which we believe is enough.



LED indicators – What is the fan doing?

Functional description

Fresh Intellivent is equipped with a three-colour LED indicator.

These three colours tell the user what the fan is doing and which function is currently controlling the motor.

- No LED lit: the fan is turned off. However, the fan's open design means it still provides natural draught ventilation when turned off.
- Blue LED lit: the motor has been activated – the humidity sensor has detected increased humidity in the room.
- Blue flashing LED: the motor has been activated – the fan has detected that it can reduce the level of humidity in the room.
- Yellow LED lit: the fan's timer has been activated by switched live (switch) or the pull cord on the fan.
- Yellow flashing LED: the fan's timer has been activated by the light switch. The LED flashes during the 90-second turn-on delay. The speed at which the LED flashes increases as activation of the motor draws closer.
- Purple LED lit: the motor has been activated – the airing function is enabled.

As a user it is hugely beneficial to be able to see what the fan is doing and which mode is currently active. The fan uses a three-colour LED indicator to communicate exactly what it is doing. A blue light indicates that the fan is working to expel hazardous moisture. A yellow light indicates that the timer has been activated in some way. A purple light indicates that the fully automatic airing function is enabled.

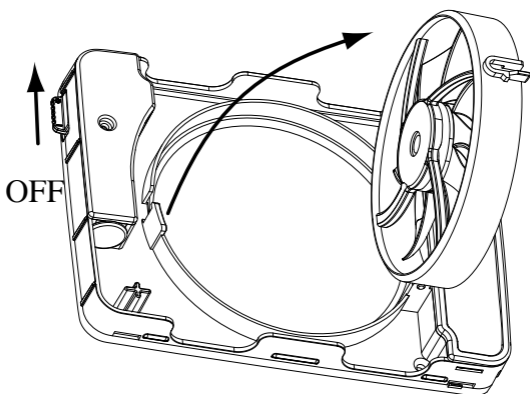
Maintenance

Fresh Intellivent is designed to work efficiently for many years.

However, the fan needs to be cleaned at regular intervals if it is to function properly. These intervals are determined by duration of fan operation and air quality. However, the fan must be cleaned at least twice a year.

Disconnect the power supply to the fan by pushing the safety switch up to position 0.

The fan's "swing out" function is useful, as it provides easy access to the duct. Press the motor mount ring's snap-in catch and swing out the motor/blades.



Clean the duct/pipe if there is any dirt present inside. There is otherwise a risk of impaired capacity.

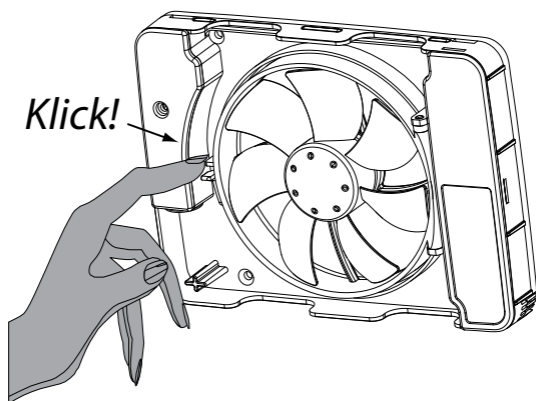
When cleaning the fan, pay particular attention to the blades if these are dirty. There is otherwise a risk of imbalance and hence increased noise and a reduced life span for the motor bearings.

Clean the fan's blades with a brush or paintbrush. Clean the fan cover with a polishing cloth moistened with water and possibly a mild detergent.

NOTE! Never use solvents or similar products on any part of the fan, as there is a risk of them damaging the fan's plastic components!

Never completely submerge the fan in water, as there is a risk that this could damage the fan's motor.

After cleaning, swing the motor mount ring back into position and lock it by securing the snap-in catch. Switch the safety switch back on by moving it down to position I.



If maintenance of the fan is not performed as specified above, the product guarantee will be void.

Guarantee

Your Fresh Intellivent fan is of the highest possible quality.

Therefore, we provide a **5-year guarantee** against manufacturing defects.



Greater peace of mind for you as a user.

For the guarantee to be valid, proof of purchase is required and the fan:

- must be assembled and installed according to the installation guide in this manual
- must have been maintained according to the maintenance instructions in this manual
- must be installed in a normal residential environment
- must be connected to a voltage of 100-250 V AC
- must not have been exposed to lightning or abnormal power surges
- must not be subject to tampering
- must have been installed in a zone rated as IP44.
- must not have been installed in an environment where the temperature can exceed 50 °C.

Complaints concerning the product are to be made to the point of purchase.

Recycling

End-of-life products may be taken to local recycling centres and are sorted as electronic scrap.



Accessories

There are a number of accessories available for Fresh Intellivent to help you, as a user, install the product as smoothly as possible. Below are some examples of accessories.

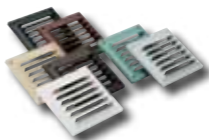
Pipe for sizes
100 and 125



Adapter for sizes
100 and 125
for plastic grilles



Plastic grille for sizes
100 and 125



Metal grille for sizes
100 and 125



Cold surge protection 100



For optimum ventilation, you must ensure that sufficient air can enter the bathroom. This is solved either by creating an opening at the bottom of the door or by installing an air vent in the door or wall.

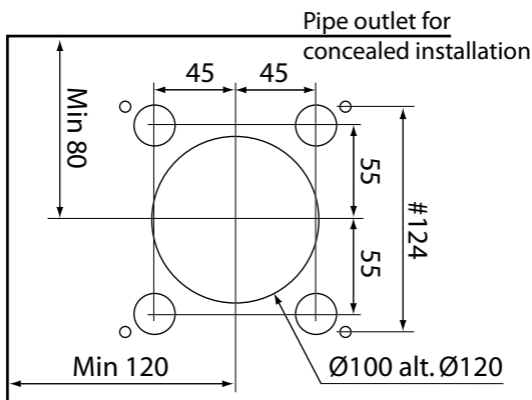
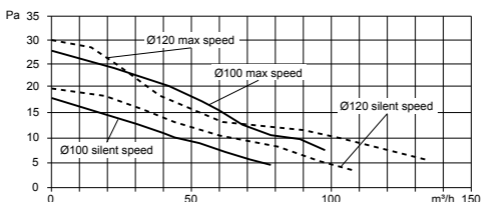
It is also important to draw fresh air into the house that is then expelled through the bathroom or laundry room, for instance.

In this case, it's a good idea to install fresh air vents in bedrooms and the living room.

TECHNICAL DATA »

Maximum capacity	132 m ³ /h
Sound pressure level 3 m (Silent mode)	22 dB(A)
Power consumption	5 W
Mounting dimensions in wall	0-30 mm
Holes	0-130 mm
Material	ABS plastic
Protection rating	IP44
Insulation class	□
Voltage	90-240 V
Frequency	50-60 Hz
Certificates	Ⓢ CE

Duct dimension	Max / Silent	Capacity (free blowing)	Sound pressure level 3 m
Ø 100	Max	105 m ³ /h	33 dB(A)
Ø 100	Silent	73 m ³ /h	23.5 dB(A)
Ø 125	Max	132 m ³ /h	32 dB(A)
Ø 125	Silent	85 m ³ /h	22 dB(A)



The fan does not start

The fan is newly installed and has never been started

- Check that the fan impeller runs freely by spinning it.
- Check the position of the safety switch. It should be in position I, which corresponds to On.
- Remove the cover and disconnect the power supply to the fan by moving the safety switch to 0. Then return the switch to I.
- Check that there is voltage at terminal block L. (To be done by electricians only.)
- Check that neutral is properly connected by measuring the voltage across L-N. (To be done by electricians only.)

If the fan still fails to initiate the startup sequence, which involves the LEDs lighting up in sequence and the motor starting after a short time, you can return the fan as long as it is within the guarantee period and you have a receipt. See Guarantee on page 24.

The fan has been in use for some time

Check that the fan impeller runs freely by spinning it.

Remove the cover and restart the fan by turning the safety switch off and then on again. Leave the fan switched off for about 3 seconds before switching it back on.

If the LEDs light up in sequence but the motor does not start, you can return the fan as long as it is within the guarantee period and you have a receipt. See Guarantee on page 24.

The fan has been cleaned

Check that the fan impeller runs freely by spinning it.

Check the position of the safety switch. It should be in position I, which corresponds to On.

The fan runs nonstop

Red LED is constantly lit

(If the fan has been running nonstop for at least 24 hours)

Check operation by opening the bathroom door and leaving it open for at least half an hour to equalise humidity levels.

Remove the cover and disconnect the power supply to the fan by moving the safety switch to 0. Then return the switch to I.

Green LED is constantly lit

Check that the fan has not been set up for continuous operation.

(To be done by electricians only.)

If the fan is connected to an external switch for timer control, switch this off and wait at least 30 minutes.

Remove the cover and disconnect the power supply to the fan by moving the safety switch to 0. Then return the switch to I.

No LEDs lit

Remove the cover and disconnect the power supply to the fan by moving the safety switch to 0. Then return the switch to I.

If the fan still runs nonstop, you can return the fan as long as it is within the guarantee period and you have a receipt. See Guarantee on page 24.

Other faults

The fan stops when the light is switched off

The fan has been installed incorrectly. Terminal L on the terminal block should always have direct phase.

Contact your electrician.

The fan does not work as described

Remove the cover and disconnect the power supply to the fan by moving the safety switch to 0. Then return the switch to I (On).

If the fan still does not work as described in this guide, contact the retailer or Fresh by e-mail to: intellivent@fresh.se.

A

- Accessories p. 25
- Airing function p. 14

B

- Bathroom light - connection p. 7
- Brief functional description p. 8

C

- Cable inlets p. 7
- Cleaning, Cleanability p. 13, 22
- Connections - connection p. 7
- Constant low speed p. 8, 17
- Contents - packaging p. 6
- Control panel p. 11, 20
- Cutout - mounting cover p. 9

D

- Dimensions p. 26

F

- Functional description - description p. 8, 12

G

- Guarantee p. 24

H

- Humidity control - description p. 16

I

- Interval, pause function p. 16
- Installation p. 6
- Installation p. 7
- Installation dimensions p. 26
- Introduction p. 4

L

- LED, control panel p. 11, 21
- Low speed p. 8, 17

M

- Mains voltage - technical data p. 26
- Maintenance p. 12
- Momentary switch p. 8, 18
- Mounting dimensions p. 6

P

- Packaging, contents p. 6
- Power consumption, technical data p. 14, 26
- Problems - troubleshooting guide p. 27
- Pull cord p. 8, 10, 17
- Pull cord switch p. 8, 10, 17

R

- Relative humidity - automatic moisture detection system p. 16

S

- Speed p. 8, 17
- Speed control p. 18
- Switched live - connection p. 7

T

- Technical data p. 26
- Timer - description p. 17
- Troubleshooting guide p. 27

W

- Wiring diagrams p. 7

Vielen Dank, dass Sie sich für dieses Produkt von Fresh entschieden haben. Bitte lesen Sie sich diese Gebrauchsanleitung sorgfältig durch, bevor Sie den Lüfter installieren und in Gebrauch nehmen. Verwahren Sie sie anschließend sicher auf, sodass Sie im Bedarfsfall darauf zurückgreifen können.

Warnung!

Dieses Produkt ist nicht für die Nutzung durch Personen (einschließlich Kindern) vorgesehen, deren physische, sensorische oder geistige Fähigkeiten stark eingeschränkt sind oder denen es an Erfahrung bzw. Kenntnissen mangelt, es sei denn, sie werden von einer Person, die für ihre Sicherheit verantwortlich ist, überwacht oder hinsichtlich des Produktgebrauchs unterwiesen.

Kinder müssen fortlaufend beaufsichtigt werden um ein Spielen mit dem Produkt zu verhindern.

Ein beschädigtes Netzkabel muss vom Hersteller, dessen Service-Dienstleister oder einer ähnlich qualifizierten Person ersetzt werden, um Gefahren zu vermeiden.

- 34 **Einleitung**

- 36 **Installationsanleitung**
 - Inhalt
 - Montage
 - Verkabelung
 - Kurze Funktionsbeschreibung
 - Quick-Setup

- 42 **Beschreibung**
 - Umfassende Funktionen usw.
 - Feuchteregelung
 - Timer-Betrieb
 - Drehzahlregelung
 - Bedienfeld
 - LED-Anzeige

- 52 **Wartung**

- 54 **Garantie**

- 54 **Entsorgung**

- 55 **Zubehör**

- 56 **Technische Daten**

- 57 **Fehlersuche**

- 60 **Index**

Fresh Intellivent ist eine völlig neue Art von Badlüfter, die vollkommen neue Maßstäbe setzt. Bei der Entwicklung von Fresh Intellivent lag der Schwerpunkt auf einer sehr großen Bedienerfreundlichkeit und dem Einsatz modernster Technik. Das Ergebnis: eine neue Generation von Badlüftern.

Über mehrere Jahre hinweg haben wir das Feedback unserer Kunden gesammelt und in unsere Entwicklung einfließen lassen. Der Ihnen vorliegende Lüfter bietet somit eine Reihe bahnbrechender Funktionen, die Ihnen einerseits die Bedienung erleichtert und andererseits einen störungsfreien Betrieb ermöglicht.

Wichtige Aspekte, die wir im Namen unserer Kunden berücksichtigt haben, waren u. a.: Design, Bedienerfreundlichkeit, Lebensdauer, Geräuschpegel, einfache Reinigung und Stromverbrauch.

1. Inhalt

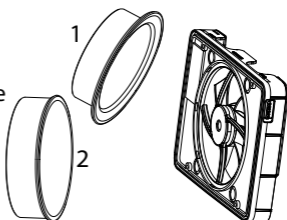
Die Verpackung sollte folgende Teile enthalten:

- Lüfter
- 2 Anschlussstutzen, Größe: $\text{Ø } 98 \text{ mm}$ bzw. $\text{Ø } 118 \text{ mm}$
- Gebrauchsanleitung
- Zubehörbeutel mit 4 Schrauben und Dübeln, Zugschnur mit Anhänger und eine Isolierung für FK-Kabel

2. Montage

Der Lüfter darf nicht in Umgebungen installiert werden, in denen die Temperatur 50 Grad Celsius übersteigt.

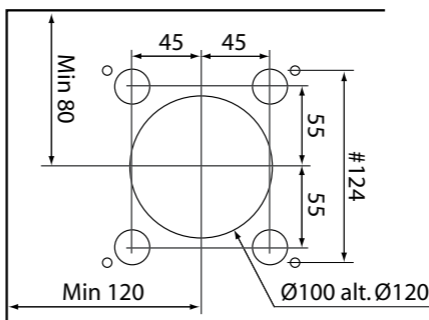
Bei Bedarf befestigen Sie einen geeigneten Anschlussstutzen am Lüftergehäuse, $\text{Ø } 98$ (1) für $\text{Ø } 100$ -Rohre oder $\text{Ø } 118$ (2) für $\text{Ø } 125$ -Rohre.



Der Lüfter eignet sich auch zur Aufputzmontage gänzlich ohne Anschlussstutzen, z. B. bei Anschlussrohren unter $\text{Ø } 98$.

Stellen Sie bei der Montage sicher, dass zwischen Rohr/Kanal und Wand/Decke eine Dichtung vorhanden ist, um zu verhindern, dass feuchte Luft in die Wand oder die Decke eindringt. Verwenden Sie die mitgelieferten Schrauben und Dübel, falls erforderlich.

Einbaumaße



3. Verkabelung

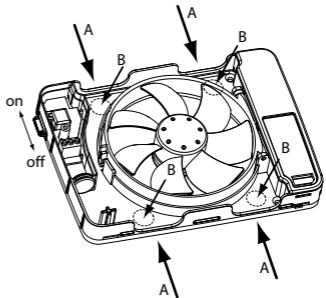
Die Installation ist von einem qualifizierten Elektriker durchzuführen.

- Der Lüfter ist doppelt isoliert und nicht für eine Erdung vorgesehen.
- Drücken Sie den Sicherheitsschalter ein, sodass er auf „0“ steht – dies ist die ausgeschaltete Stellung.
- Installieren Sie das Kabel entweder außen durch die Eingänge A am Gehäuse oder verdeckt durch die Eingänge B am Gehäuse (Abbildungen s. u.). Verwenden Sie die mitgelieferte Isolierung für FK-Kabel.
- Wenn Sie einen der Eingänge B verwenden, entfernen Sie den runden Kunststoffdeckel, indem Sie ihn innerhalb der Bruchkerbe von innen nach außen zur Rückseite herausklopfen, z. B. mit einem

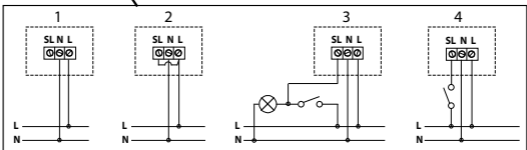
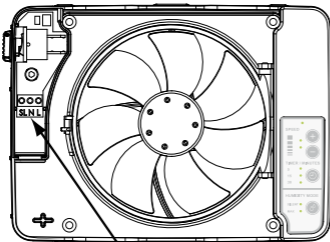
Kabeleingänge

A = Aufputzmontage

B = Unterputzmontage



Schaltpläne



4. Kurze Funktionsbeschreibung

Der Lüfter lässt sich je nach Funktion auf vier verschiedene Weisen installieren:

Ausschließlich zur Feuchteregelung, Schaltpläne 1

Der Lüfter wird mit Dauerphase (L) und Neutralleiter (N) zur automatischen Feuchteregelung angeschlossen.

Der Timer lässt sich durch Ziehen an der montierten Zugschnur manuell aktivieren.

Konstant niedrige Geschwindigkeit + Feuchteregelung, Schaltpläne 2

Der Lüfter wird mit Dauerphase (L) und Neutralleiter (N) zur automatischen Feuchteregelung angeschlossen.

Die Phase (L) wird mit einer Schalterleitung (SL) für konstant niedrige Geschwindigkeit überbrückt. Sobald die Luftfeuchtigkeit steigt, geht der Lüfter in den gewählten Modus über: „Leise“ (Silent) oder „Höchstleistung“ (Max). Nach Entlüften der Feuchtigkeit geht der Lüfter wieder zur konstant niedrigen Geschwindigkeit über. Die gewünschte Drehzahl für den langsamen Betrieb wird mithilfe der Geschwindigkeitstasten (Speed), Plus oder Minus, auf dem Bedienfeld eingestellt.

Feuchteregelung + Timer-Betrieb über den Lichtschalter, Schaltpläne 3

Der Lüfter wird mit Dauerphase (L) und Neutralleiter (N) zur automatischen Feuchteregelung angeschlossen.

Die Schalterleitung (SL) wird zur Aktivierung der Timer-Steuerung angeschlossen, das heißt, dass ein Strom an der Schalterleitung anliegt, sobald die Badezimmerlampe eingeschaltet wird. Diese Option bietet einen um 90 Sekunden verzögerten Start des Lüfters. Bei Ausschalten der Badezimmerlampe beträgt die Nachlaufzeit des Lüfters 5, 15 oder 30 Minuten, je nachdem, welche Einstellung Sie auf dem Bedienfeld gewählt haben.

Feuchteregelung + Timer-Betrieb mit rückfederndem Schalter, Schaltpläne 4

Der Lüfter wird mit Dauerphase (L) und Neutralleiter (N) zur automatischen Feuchteregelung angeschlossen.

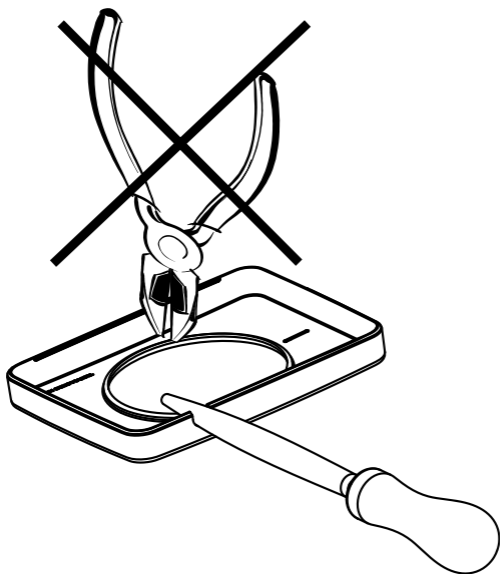
Die Schalterleitung (SL) wird zur Aktivierung der Timer-Steuerung angeschlossen, und zwar mit einem rückfedernden Schalter. Bei dieser Option wird der Lüfter direkt gestartet. Die Nachlaufzeit des Lüfters beträgt 5, 15 oder 30 Minuten, je nachdem, welche Einstellung Sie auf dem Bedienfeld gewählt haben.

Schaltpläne 1–4, siehe Seite 37.

OBS!

Schraubendreher.

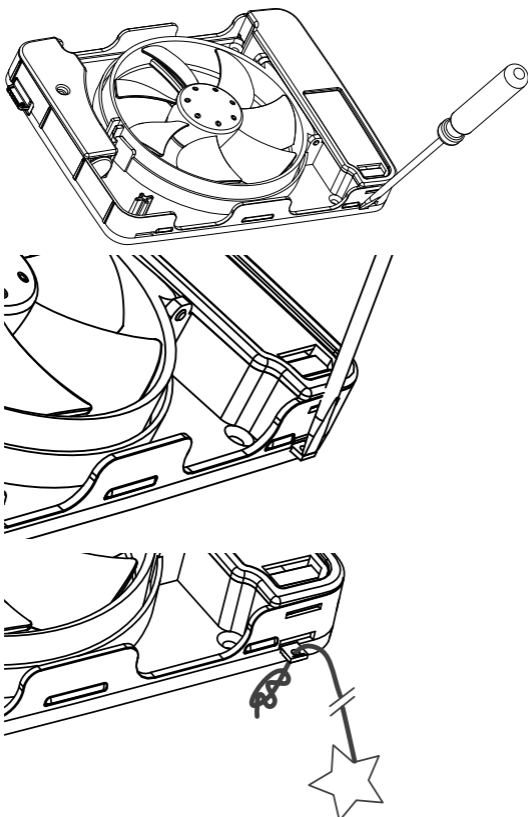
Verwenden Sie eine normale Rundfeile, um am Frontgehäuse an einer geeigneten Stelle eine einwandfreie Öffnung herauszufeilen. Verwenden Sie KEINE Zangen oder Ähnliches, da hierdurch Risse im Gehäuse entstehen können.



Anschließen des Zugschnurschalters

Bei Bedarf können Sie einen Zugschnurschalter zur manuellen Aktivierung des Timer-Betriebs installieren.

Entfernen Sie die Montageplatte z. B. mithilfe eines Schraubendrehers und montieren Sie die mitgelieferte Schnur gemäß den nachfolgenden Abbildungen in der Öffnung.



- Drücken Sie den Sicherheitsschalter nach Abschluss der Installation in die niedriger Stellung (I). Der Lüfter ist dann aktiviert.

Führen Sie außerdem beim Stromanschluss des Lüfters einen Selbsttest durch, bei dem die Steuerung, die LED-Leuchten und die Motorfunktion getestet werden.

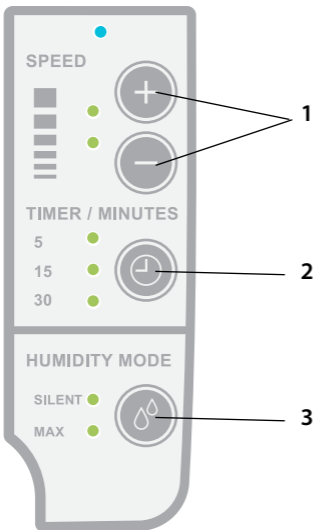
5. Quick-Setup des Bedienfelds

Über das Bedienfeld können Sie schnell und einfach die gewünschten Funktionen einstellen.

1 Stellen Sie die gewünschte Drehzahl für den Timer-Betrieb mithilfe der Plus- und Minus-Tasten ein. Um schnell wieder zur werkseitig eingestellten Geschwindigkeit zurückzukehren, betätigen Sie die Plus- und Minus-Tasten gleichzeitig.

2 Stellen Sie die gewünschte Nachlaufzeit für den Timer-Betrieb über die Timer-Taste ein (5, 15 oder 30 Minuten). *(falls Sie den Timer verwenden möchten).*

3 Wählen Sie den gewünschten Feuchtigkeitsmodus: „Leise“ (Silent) oder „Höchstleistung“ (Max).



Der Lüfter ist nun betriebsbereit. Eine detailliertere Beschreibung der Funktionen usw. entnehmen Sie dem Abschnitt „Detaillierte Beschreibung“, auf Seite 42.

BESCHREIBUNG »

- **Umfassende Funktionen usw.** 44
- **Feuchteregelung** 46
- **Timer-Betrieb** 47
- **Drehzahlregelung** 48
- **Bedienfeld** 50
- **LED-Anzeige** 51

Lebensdauer

Dank des in den Lüfter integrierten Stromadapters konnten wir einen Niederspannungsmotor verwenden, der eine Lebensdauer von ca. 60 000 Stunden bietet. Dies entspricht der vier- bis sechsfachen Lebensdauer herkömmlicher Standardlüfter. Der Motor besitzt extrem leise laufende Kugellager. Jetzt können Sie den Lüfter auch kontinuierlich laufen lassen, ohne nach einem Jahr einen Motorschaden zu riskieren.

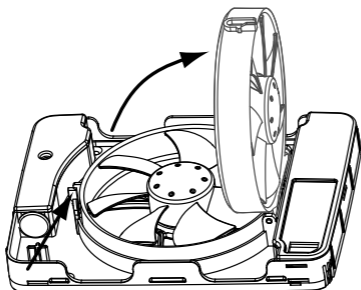
Zwei Lüfter in einem

– zwei Größen: 100 & 125

Zum ersten Mal können wir einen Badlüfter anbieten, dessen Abmessungen Sie selbst wählen können. Sie haben praktischerweise die Wahl zwischen den Größen 100 und 125. Dies sind die beiden gängigsten Größen für Abluftrohre. Wenn Sie sich für die Größe 125 entscheiden, erhalten Sie außerdem einen niedrigeren Geräuschpegel und eine noch höhere Kapazität. Sie erhalten also dank der beiden Anschlussstutzengrößen zwei Lüfter in einem. Sehr praktisch.

Einfache Reinigung – ganz selbstverständlich

Auf vielfachen Wunsch haben wir eine sehr einfache Reinigung ermöglicht, bei der Sie den Lüfter nur in der Mitte zu öffnen brauchen, um an das Rohr zu gelangen. Dank „Swing-out“-Funktion können Sie z. B. verstopfte Gitter an der Fassadenaußenseite leicht reinigen und säubern. Drücken Sie einfach auf den Schnellverschluss und schwenken Sie den Motor aus – fertig!



Extrem leise

Die Verwendung eines Niederspannungsmotors im Lüfter ermöglicht einen extrem leisen Betrieb. Im Vergleich zu herkömmlichem Wechselstrommotoren hören Sie beim installierten Intellivent kaum, dass er überhaupt läuft. Tests belegen, dass der Fresh Intellivent heute der leiseste Lüfter am Markt ist.

Integrierter Sicherheitsschalter

Von den handelsüblichen Lüftern ist derzeit keiner mit einem integrierten Sicherheitsschalter ausgestattet. Die EU-Richtlinien für Elektrosicherheit verlangen, dass vor allen installierten Elektrogeräten ein allpoliger Schalter montiert sein muss. Dies bedeutet, dass Sie vor dem Lüfter einen separaten Schalter an der Wand montieren müssen. Fresh Intellivent ist bereits mit einem integrierten allpoligen Schalter ausgestattet, sodass Sie keinen separaten Schalter zu installieren brauchen. Standardmäßig. Das heißt, dass Sie mit dieser Lösung nicht nur Geld, sondern dank der einfacheren Installation auch noch Zeit sparen. Ist das nicht clever?

Lüftungsfunktion

Fresh Intellivent besitzt eine integrierte Funktion, der zufolge der Lüfter nach 16 Stunden Inaktivität ein Lüftungsprogramm durchführt. Dieses Lüftungsprogramm dauert 60 Minuten und sorgt für frische Luft im Bad. Somit haben Sie keine Probleme mehr mit stickiger, muffiger Luft im Bad, wenn Sie dieses über einen längeren Zeitraum nicht betreten haben.

Stromverbrauch

Aufgrund der Verwendung eines Niedervoltmotors konnten wir den Energieverbrauch des Lüfters drastisch senken. Der Lüfter benötigt nur 5 Watt, rund ein Drittel von dem, was herkömmliche Badlüfter verbrauchen.

Vollständige Aufputzmontage

Fresh Intellivent eignet sich für die vollständige Aufputzmontage, wenn Sie keinen der beiden Anschlussstutzen (100 oder 125) verwenden möchten. Dies ist vor allem für Anschlussrohre mit einem Durchmesser unter 100 mm und für Anschlussrohre, die direkt hinter der Öffnung gebogen sind, sehr praktisch. Kein anderer herkömmlicher Badlüfter bietet eine vollständige Aufputzmontage. Sie brauchen trotzdem hinsichtlich des Platzes keinerlei Abstriche zu machen: Der Lüfter ragt gerade mal 30 mm in den Raum. Und dabei lassen sich FK- und EKK-Kabel (schwed. Normung) schnell und einfach installieren!

Design

Mit Fresh Intellivent präsentieren wir außerdem ein völlig neuartiges Design, nicht zuletzt für das Frontgehäuse. Durch die Herstellung des Gehäuses aus farblosem ABS-Kunststoff und durch das anschließende Lackieren der Innenseite mit qualitativ hochwertigem Metalllack auf Wasserbasis, haben wir bei der Oberfläche eine optisch ansprechende Tiefe erzielt, die mit den übrigen Armaturen des modernen Badezimmers im Einklang steht. Die Gehäuse können zur Anpassung an verschiedene Materialien und Farbgebungen in einer Reihe von Farbtönen angefertigt werden. Das gut sichtbare Lüfterrad verleiht dem Lüfter nicht nur einen ästhetischen Retro-Look, sondern auch einen sehr niedrigen Geräuschpegel.

Eine Welt – eine Version

Da der integrierte Stromadapter Frequenz und Spannung an den Motor anpasst, können Sie den Lüfter an jedem beliebigen Ort auf der Welt installieren, bei 50 und 60 Hz genauso wie bei 115 und 230 Volt. Dabei sind jedoch die vor Ort geltenden Vorschriften für Elektrosicherheit zu beachten. Fresh Intellivent ist derzeit ausschließlich für Europa zugelassen. Weitere Zulassungen werden folgen.

Feuchteautomatik

Fresh Intellivent ist mit einer völlig neuen Generation von Feuchteregelung ausgestattet, die die Bedienerfreundlichkeit zusätzlich erleichtert.

Somit können wir zum ersten Mal eine vollautomatische Feuchteregelung präsentieren, dank derer der Lüfter ausschließlich in Betrieb ist, wenn er tatsächlich etwas bewirken kann.

Dies bedeutet, dass die manuelle Justierung des Lüfterstarts im Verhältnis zur aktuellen Luftfeuchtigkeit entfällt. Eine solche manuelle Justierung ist bei allen sonstigen modernen Lüftern mit Feuchteregelung erforderlich und vor allem von der Jahreszeit abhängig.

Dank der integrierten „Sniff“-Funktion überprüft unser Lüfter kontinuierlich, ob sein Betrieb sinnvoll ist oder nicht. Sobald der Lüfter den Feuchtegehalt der Luft senken kann, startet er automatisch. Diese intelligente Funktion wird über einen eingebauten Mikroprozessor gesteuert, der mit einer vollkommen neu entwickelten Software läuft. Diese Software wurde über mehrere Jahre individuellen Tests in verschiedenen Umgebungen unterzogen. Sobald der Lüfter den Feuchtegehalt nicht weiter senken kann, bleibt er stehen.

Der Lüfter verfügt außerdem über zwei Modi der Feuchteregelung: „Leise“ (Silent) und „Höchstleistung“ (Max).

Wenn Sie den Lüfter im Modus „Silent“ betreiben, läuft er mit seinen Basisspezifikationen. Das heißt, dass die Kapazität dann normal ist, der Geräuschpegel jedoch sehr niedrig. Steht der Lüfter auf „Max“, läuft er mit maximaler Drehzahl und bietet somit eine um ca. 30 % erhöhte Kapazität im Verhältnis zu vergleichbaren Standardlüftern.

Bei kleinen Badezimmern ist der Modus „Silent“ die logische Wahl. Bei größeren Badezimmern können Sie jedoch auch die Höchstleistung nutzen und eine erhöhte Kapazität erzielen. Dies bietet sich vor allem bei der Größe 125 an.

Wenn Sie in der Badewanne liegen und den Lüfter bei aktiviertem Feuchteprogramm vorübergehend ausschalten möchten, ziehen Sie einfach an der Zugschnur, sofern diese installiert ist. Der Lüfter hält dann an und nimmt nach einer Stunde wieder die Feuchteautomatik auf.

Den erzwungenen Halt können Sie auch jederzeit vor Ablauf einer Stunde aufheben, indem Sie erneut an der Zugschnur ziehen. Der Lüfter kehrt dann wieder zu seinem früheren Feuchteprogramm zurück.

Timer-Betrieb

Fresh Intellivent besitzt einen integrierten Timer, den Sie auf verschiedene Art und Weise aktivieren können: über den Lichtschalter, die Zugschnur oder einen separaten Schalter. Diese Schalter können herkömmliche Ein-Aus-Schalter oder Tastermodelle mit Rückfederung sein. Sie können auch die Schalterleitung mit der Phase im Lüfter überbrücken und den Lüfter somit im Dauerbetrieb laufen lassen. Auf dem Bedienfeld können Sie die Nachlaufzeit ganz einfach wählen: 5, 15 oder 30 Minuten, je nachdem, wie groß Ihr Badezimmer ist. Bei Aktivierung des Lüfters über den Lichtschalter beträgt die Einschaltverzögerung 90 Sekunden. Denn wenn Sie sich nur kurzzeitig im Bad aufhalten, wird der Lüfter wahrscheinlich nicht benötigt. Mit der Zeit blinkt die grüne Leuchtdiode immer schneller, bis der Lüfter letztendlich startet. Die Diode leuchtet dann wieder konstant.

Der Timer-Betrieb lässt sich auf vier verschiedene Arten einschalten:

1. Aktivierung über die Zugschnur

Montieren Sie die mitgelieferte Zugschnur und ziehen Sie daran, um den Timer-Betrieb zu aktivieren. Bei dieser Option wird der Lüfter direkt gestartet.

Die Nachlaufzeit des Lüfters beträgt 5, 15 oder 30 Minuten, je nachdem, welche Einstellung Sie auf dem Bedienfeld gewählt haben.

Durch erneutes Ziehen an der Zugschnur können Sie den Timer-Betrieb wieder anhalten.

2. Konstanter Timer-Betrieb (langsame Geschwindigkeit)

Wird die Phase (L) mit einer Schalterleitung (SL) überbrückt, läuft der Lüfter konstant mit der gewählten Drehzahl.

In der Regel wird für den konstanten Betrieb eine niedrigere Geschwindigkeit gewählt. Hierdurch erzielt man einen leisen Betrieb mit minimaler Kapazität.

Sobald die Luftfeuchtigkeit steigt, geht der Lüfter in den gewählten Modus über: „Leise“ (Silent) oder „Höchstleistung“ (Max).

Nach Entlüften der Feuchtigkeit geht der Lüfter wieder zur konstant niedrigen Geschwindigkeit über.

Die gewünschte Drehzahl für den langsamen Betrieb wird mithilfe der Geschwindigkeitstasten (Speed), Plus oder Minus, auf dem Bedienfeld eingestellt.

3. Anschluss an den Lichtschalter

Die Schalterleitung (SL) wird zur Aktivierung der Timer-Steuerung angeschlossen, das heißt, dass ein Strom an der Schalterleitung anliegt, sobald die Badezimmerlampe eingeschaltet wird.

Diese Option bietet einen um 90 Sekunden verzögerten Start des Lüfters.

Bei Ausschalten der Badezimmerlampe beträgt die Nachlaufzeit des Lüfters 5, 15 oder 30 Minuten, je nachdem, welche Einstellung Sie auf dem Bedienfeld gewählt haben.

4. Anschluss an rückfedernden Schalter

Die Schalterleitung (SL) wird zur Aktivierung der Timer-Steuerung angeschlossen, mit einem rückfedernden Schalter. Bei dieser Option wird der Lüfter direkt gestartet. Die Nachlaufzeit des Lüfters beträgt 5, 15 oder 30 Minuten, je nachdem, welche Einstellung Sie auf dem Bedienfeld gewählt haben.

Integrierte Drehzahlregelung

Fresh Intellivent besitzt auch eine integrierte Drehzahlregelung, die die Lüfterkapazität bei laufendem Timer-Betrieb regelt. Wenn Sie die Schalterleitung (SL) mit der Phase überbrückt haben, um einen Dauerbetrieb zu erhalten, können Sie z. B. festlegen, dass der Lüfter bei einer niedrigen Drehzahl und sehr leise läuft. Wenn der Lüfter anschließend Feuchtigkeit wahrnimmt, geht er zu der von Ihnen gewählten Funktion und Drehzahl über: „Leise“ (Silent) oder „Höchstleistung“ (Max). Der Lüfter wird jedoch von der maximalen Geschwindigkeit gesteuert. Haben Sie also für den Timer-Betrieb eine höhere Drehzahl als die Drehzahl im „Silent“-Modus der Feuchterege- lung eingestellt, läuft der Lüfter trotzdem mit der höheren Geschwindigkeit. Die Verwendung einer niedrigeren Geschwindigkeit für die Feuchtfunktion bei Dauerbetrieb wäre schließlich unlogisch. In der Regel wird für den Dauerbetrieb eine niedrigere Ge- schwindigkeit gewählt. Hierdurch erzielt man einen leisen Betrieb mit minimaler Kapazität.

Sobald die Luftfeuchtigkeit steigt, geht der Lüfter in den gewählten Modus über: „Leise“ (Silent) oder „Höchstleistung“ (Max).

Nach Entlüften der Feuchtigkeit geht der Lüfter wieder zur konstant niedrigen Geschwindigkeit über.

Die gewünschte Drehzahl für den langsamen Betrieb wird mithilfe der Geschwindigkeitstasten (Speed), Plus oder Minus, auf dem Bedienfeld eingestellt.

Über die Geschwindigkeitstasten (Speed) auf dem Bedienfeld können Sie die gewünschte Einstellung für die Geschwindigkeit bei aktivem Timer-Betrieb vornehmen. Bei der Erstinstallation des Lüfters ist dieser auf normale Kapazität und Geschwindigkeit eingestellt. Es leuchten dann beide LEDs bei den Plus- und Minus-Tasten.

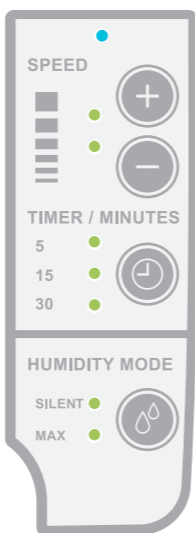
Wenn Sie die Geschwindigkeit erhöhen möchten, klicken Sie auf die Plus-Taste, bis Sie die gewünschte Geschwindigkeit erreicht haben. Die Geschwindigkeit lässt sich in vier Stufen erhöhen. Sie können die Geschwindigkeit nicht durch Gedrückthalten der Taste erhöhen, sondern müssen die Taste für jede Stufe erneut betätigen. Bei jedem Tastendruck wird die Geschwindigkeit um 7 Prozent erhöht. Haben Sie die Geschwindigkeit vom Normalmodus aus erhöht, leuchtet nur die Lampe an der Plus-Taste.

Möchten Sie die Drehzahl verringern, betätigen Sie die Minus-Taste, bis die gewünschte Geschwindigkeit erreicht ist. Die Geschwindigkeit lässt sich in sechs Stufen verringern. Sie können die Geschwindigkeit nicht durch Gedrückthalten der Taste reduzieren, sondern müssen die Taste für jede Stufe erneut betätigen. Bei jedem Tastendruck wird die Geschwindigkeit um 6 Prozent gesenkt. Haben Sie die Geschwindigkeit vom Normalmodus aus verringert, leuchtet nur die Lampe an der Minus-Taste.

Um zur Normalgeschwindigkeit zurückzukehren, betätigen Sie beide Tasten gleichzeitig. Es leuchten dann wieder beide LEDs auf.

Bedienfeld

Bis jetzt gab es keine einfache Möglichkeit, den Status eines Badlüfters anzuzeigen oder Einstellungen einfach nach Wunsch vorzunehmen. Daher haben wir es uns zum Ziel gesetzt, die Bedienung des Lüfters und die Steuerung der Grundfunktionen so einfach zu gestalten, dass Sie dafür keine Gebrauchsanleitung benötigen. Und wir glauben, dass uns dies gelungen ist. Sobald das Bedienfeld 30 Sekunden lang unbenutzt ist, geht es in den Standby-Modus über und alle LEDs erlöschen (bis evtl. auf die Anzeige für die Lüfterfunktion). Zum erneuten Aktivieren des Bedienfelds betätigen Sie einfach einmal eine beliebige Taste. Hierdurch werden noch keine Änderungen vorgenommen. Für Änderungen müssen Sie zusätzlich die gewünschte Taste betätigen. Die Bedientasten sind so konzipiert, dass Sie sie mindestens eine Millionen Mal betätigen können. Das müsste reichen – glauben Sie nicht auch?



Status-LED – Was macht der Lüfter gerade?

Funktionsbeschreibung

Fresh Intellivent ist mit einer LED-Leuchte mit drei verschiedenen Farben ausgestattet.

Anhand dieser drei Farben erkennt der Benutzer den aktuellen Status des Lüfters und die gegenwärtige Motorsteuerungsfunktion.

- Keine Leuchtdiode leuchtet: Der Lüfter ist ausgeschaltet. Dank seiner offenen Konstruktion dient der Lüfter jedoch weiterhin als Abluftventil mit Selbstlüftung.
- Die blaue Leuchtdiode leuchtet: Motor ist aktiviert – der Feuchtesensor hat im Raum eine erhöhte Feuchtigkeit festgestellt.
- Blaue Leuchtdiode blinkt: Motor ist aktiviert – der Lüfter hat festgestellt, dass er die Feuchtigkeit im Raum reduzieren kann.
- Die gelbe Leuchtdiode leuchtet: Der Timer-Betrieb ist durch die Schalterleitung (Stromschalter) oder den Zugschnurschalter am Lüfter aktiviert.
- Die gelbe Leuchtdiode blinkt: Der Timer-Betrieb ist über den Lichtschalter aktiviert. Die Leuchtdiode blinkt während der Einschaltverzögerung von 90 Sekunden. Je kürzer die verbleibende Zeit zur Aktivierung des Motors, desto schneller blinkt die Diode.
- Die violetten Leuchtdiode leuchtet: Motor ist aktiviert – Belüftung ist eingeschaltet.

Tatsächlich sehen zu können, was der Ventilator macht und welche Funktion er aktuell ausübt, ist von sehr großem Vorteil. Der Lüfter zeigt mit drei verschiedenen Farben an, was er gerade tut. Blaues Licht bedeutet, dass der Lüfter derzeit schädliche Feuchtigkeit beseitigt. Gelbes Licht bedeutet, dass der Timer-Betrieb aktiviert ist. Violettene Licht bedeutet, dass die vollautomatische Belüftungsfunktion eingeschaltet ist.

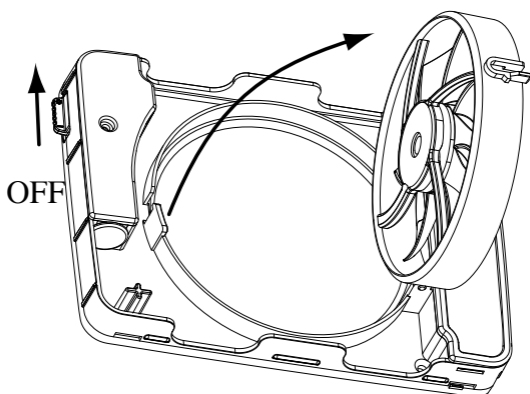
Wartung

Fresh Intellivent ist so konzipiert, dass er über viele Jahre effizienten Betrieb bietet.

Damit er korrekt funktionieren kann, muss der Lüfter jedoch in regelmäßigen Abständen gereinigt werden. Das Reinigungsintervall hängt von der Häufigkeit der Nutzung und von der Luftqualität ab. Mindestens sollte die Reinigung jedoch zweimal im Jahr erfolgen.

Schalten Sie den Lüfter aus, indem Sie den Sicherheitsstromschalter auf „0“ stellen.

Sehr praktisch ist hier die „Swing-out“-Funktion des Lüfters, die Ihnen einen freien Zugriff auf das Rohr



ermöglicht. Drücken Sie auf den Schnellverschluss des Motorrings und schwenken Sie den Motor bzw. das Lüfterrad zur Seite.

Entfernen Sie bei Bedarf Verschmutzungen vom Kanal bzw. Rohr. Wird der Schmutz nicht entfernt, wirkt sich dies eventuell auf die Leistung aus.

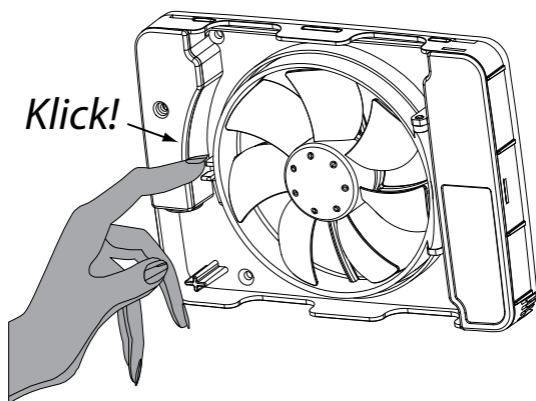
Reinigen Sie vor allem die Blätter des Lüfterrads. Sind diese verschmutzt, können Unwuchten entstehen, wodurch der Geräuschpegel steigt und die Lebensdauer der Motorkugellager verkürzt wird.

Das Lüfterrad ist mit einer Bürste oder einem Pinsel zu reinigen. Für die Reinigung des Lüftergehäuses sollten Sie ein feuchtes Putztuch mit Wasser und eventuell eine milde Seifenlösung verwenden.

HINWEIS! Verwenden Sie für den Lüfter niemals Lösungsmittel oder Ähnliches, da hierdurch die Kunststoffteile beschädigt werden können!

Tauchen Sie den Lüfter nie vollständig in Wasser ein, da der Motor hierdurch beschädigt werden kann.

Schwenken Sie den Motorring nach der Reinigung wieder zurück und arretieren Sie ihn mit dem Schnellverschluss. Schalten Sie den Sicherheitsschalter ein, indem Sie ihn auf „I“ stellen.



Werden die Wartungsanweisungen für den Lüfter nicht befolgt, erlischt die Produktgarantie.

Garantie

Ihr Fresh Intellivent zeichnet sich durch allerhöchste Qualität aus. Daher können wir Ihnen **5 Jahre Garantie** auf Herstellungsfehler bieten.



Eine große Sicherheit für Sie als Anwender.

Für die Inanspruchnahme der Garantie müssen neben der Vorlage des Kaufbelegs noch folgende Bedingungen erfüllt werden:

- Montage und Installation des Lüfters gemäß den Installationsanweisungen in dieser Gebrauchsanleitung
- Wartung des Lüfters gemäß den Wartungsanweisungen in dieser Gebrauchsanleitung
- Montage des Lüfters in einem normalen Wohnbereich
- Anschluss des Lüfters an eine Spannung mit 100–250 V AC
- Nichtaussetzen des Lüfters an Blitzschlag oder außergewöhnliche Stromspitzen
- Nicht selbst verschuldete Beschädigung des Lüfters
- Installation des Lüfters in einer Zone gemäß IP-Schutzklasse 44
- Installation in einem Umfeld, in dem die Temperatur 50 Grad Celsius nicht überstiegen hat.

Bei Reklamationen wenden Sie sich bitte an Ihren Händler.

Entsorgung

Einen ausgedienten Lüfter können Sie daher bei einem Recyclinghof abgeben oder mit Ihrem übrigen Elektronikabfall entsorgen.



Zubehör

Für Fresh Intellivent ist eine Reihe von Zubehör erhältlich, das Ihnen eine schnelle und saubere Montage ermöglicht. Im Folgenden sind einige Beispiele für Zubehör aufgeführt.

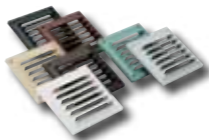
Rohr für die Größen
100 und 125



Anschlussstutzen für die
Größen 100 und 125
für Kunststoffgitter



Kunststoffgitter für die
Größen 100 und 125



Metallgitter für die Größen
100 und 125



Rückstauklappe 100



Zur Gewährleistung einer vollständigen Lüftungsfunktion müssen Sie sicherstellen, dass genügend Luft in das Badezimmer gelangen kann. Dies tun Sie entweder mittels einer Aussparung an der Türunterseite oder mittels Montage eines Abluftventils an Tür oder Wand.

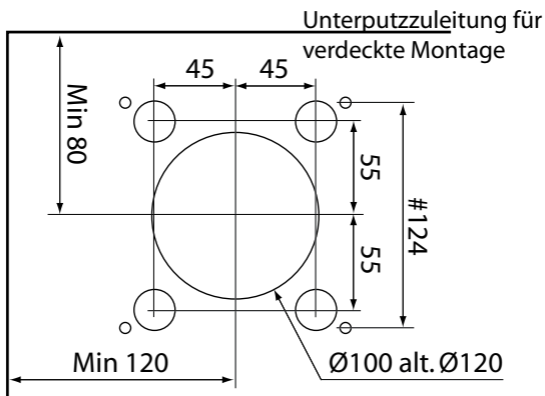
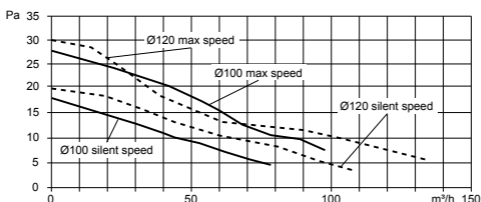
Auch die Versorgung des Hauses mit Frischluft ist wichtig. Diese wird dann u. a. über das Badezimmer und die Waschküche wieder abgeleitet.

Hierfür sind bei Bedarf Zuluftventile in Schlaf- und Wohnzimmer zu installieren.

TECHNISCHE DATEN»

Höchstleistung	132 m ³ /h
Schalldruckpegel 3 m (Silent-Modus)	22 dB (A)
Leistungsaufnahme	5 W
Abmessungen an der Wand	0-30 mm
Lochbohrung	0-130 mm
Material	ABS-Kunststoff
Schutzart	IP 44
Isolierstoffklasse	□
Spannung	90-240 V
Frequenz	50-60 Hz
Zertifizierungen	Ⓢ ⒸⒺ

Kanal-abmessungen	Max/Silent	Kapazität (freiblasend)	Schall-druckpegel 3 m
Ø 100	Max	105 m ³ /h	33 dB (A)
Ø 100	Silent	73 m ³ /h	23,5 dB (A)
Ø 125	Max	132 m ³ /h	32 dB (A)
Ø 125	Silent	85 m ³ /h	22 dB (A)



Der Ventilator startet nicht.

Der Lüfter wurde gerade erst neu installiert und war noch nie in Betrieb.

- Drehen Sie am Lüfterrad um sicherzustellen, dass es frei läuft.
- Überprüfen Sie die Stellung des Sicherheitsschalters. Er sollte auf „I“ stehen, also in der Stellung „Ein“.
- Entfernen Sie das Gehäuse und schalten Sie das Gerät aus, indem Sie den Sicherheitsschalter auf „0“ stellen. Stellen Sie den Schalter anschließend wieder auf „I“.
- Stellen Sie sicher, dass am Kontakt L eine Spannung anliegt (nur vom Elektriker auszuführen).
- Stellen Sie sicher, dass der Neutraleiter korrekt angeschlossen ist, indem Sie die Spannung über L–N messen (nur vom Elektriker auszuführen).

Wenn der Lüfter die Anfahrsequenz immer noch nicht startet, bei der die LEDs aufleuchten und der Motor kurzzeitig gestartet wird, können Sie das Gerät reklamieren, sofern die Garantiezeit nicht abgelaufen und ein Kaufbeleg vorhanden ist. Siehe Kapitel „Garantie“ auf Seite 54.

Der Lüfter ist bereits eine Weile in Betrieb gewesen.

Drehen Sie am Lüfterrad um sicherzustellen, dass es frei läuft.

Nehmen Sie das Gehäuse ab und starten Sie den Lüfter, indem Sie den Sicherheitsschalter aus- und wieder einschalten. Lassen Sie den Lüfter ca. 3 Sekunden ausgeschaltet, ehe Sie ihn wieder einschalten.

Leuchten anschließend die LEDs auf, der Motor wird jedoch nicht gestartet, können Sie das Gerät reklamieren, sofern die Garantiezeit nicht abgelaufen und ein Kaufbeleg vorhanden ist. Siehe Kapitel „Garantie“ auf Seite 54.

Der Lüfter wurde gereinigt.

Drehen Sie am Lüfterrad um sicherzustellen, dass es frei läuft.

Überprüfen Sie die Stellung des Sicherheitsschalters. Er sollte auf „I“ stehen, also in der Stellung „Ein“.

Der Lüfter läuft ständig.

Die blaue LED leuchtet ständig.

(Wenn der Lüfter mindestens 24 Stunden in Dauerbetrieb war.)

Überprüfen Sie die Funktionsweise, indem Sie die Badezimmertür öffnen und mindestens eine halbe Stunde offen stehen lassen, um den Feuchtegehalt auszugleichen.

Entfernen Sie das Gehäuse und schalten Sie das Gerät aus, indem Sie den Sicherheitsschalter auf „0“ stellen. Stellen Sie den Schalter anschließend wieder auf „I“.

Die gelbe LED leuchtet ständig.

Stellen Sie sicher, dass der Lüfter nicht für Dauerbetrieb installiert ist (nur vom Elektriker auszuführen).

Ist der Lüfter für den Timer-Betrieb an einen externen Schalter angeschlossen, schalten Sie diesen für mindestens 30 Minuten aus.

Entfernen Sie das Gehäuse und schalten Sie das Gerät aus, indem Sie den Sicherheitsschalter auf „0“ stellen. Stellen Sie den Schalter anschließend wieder auf „I“.

Keine LED leuchtet.

Entfernen Sie das Gehäuse und schalten Sie das Gerät aus, indem Sie den Sicherheitsschalter auf „0“ stellen. Stellen Sie den Schalter anschließend wieder auf „I“.

Läuft der Lüfter weiterhin kontinuierlich, können Sie das Gerät reklamieren, sofern die Garantiezeit nicht abgelaufen und ein Kaufbeleg vorhanden ist. Siehe Kapitel „Garantie“ auf Seite 54.

Sonstige Fehler

Der Lüfter hält an, sobald das Licht ausgeschaltet wird.

Der Lüfter wurde falsch installiert. Der Kontakt L am Klemmenblock muss immer mit direkter Phase angeschlossen sein.

Wenden Sie sich an Ihren Elektriker.

Der Lüfter funktioniert nicht wie beschrieben.

Entfernen Sie das Gehäuse und schalten Sie das Gerät aus, indem Sie den Sicherheitsschalter auf „0“ stellen. Stellen Sie den Schalter anschließend wieder auf „I“.

Wenn der Lüfter anschließend immer noch nicht wie in dieser Gebrauchsanleitung beschrieben funktioniert, wenden Sie sich bitte an Ihren Händler oder per E-Mail an Fresh: intellivent@fresh.se.

A

Abmessungen	S. 56
Anschließen	S. 37
Aussparung - Gehäusemontage	S. 39

B

Badezimmerbeleuchtung - Anschließen	S. 37
Bedienfeld	S. 41, 50

D

Drehzahlregelung	S. 48
------------------	-------

E

Einbaumaße	S. 56
Einbaumaße	S. 36
Einleitung	S. 34
Energieverbrauch, technische Daten	S. 44, 56

F

Fehlersuche	S. 57
Funktionsbeschreibung - Beschreibung	S. 38, 42
Feuchteregelung - Beschreibung	S. 46

G

Garantie	S. 54
Geschwindigkeit	S. 38,47

I

Inhalt - Verpackung	S. 36
Installation	S. 37

K

Kabeleingänge	S. 37
Konstant niedrige Geschwindigkeit	S. 38, 47
Kurze Funktionsbeschreibung	S. 38

L

LED, Bedienfeld	S. 41, 51
Lüftungsfunktion	S. 44

M

Montage S. 36

N

Netzspannung - technische Daten S. 56

Niedrige Geschwindigkeit S. 38, 47

P

Pause, Pause-Funktion S. 46

Probleme - Fehlersuche S. 57

R

Reinigung S. 43, 52

Relative Feuchtigkeit - Feuchteautomatik S. 46

Rückfedernder Schalter S. 38, 48

S

Schalterleitung - Anschließen S. 37

Schaltpläne S. 37

T

Technische Daten S. 56

Timer - Beschreibung S. 47

V

Verpackung, Inhalt S. 36

W

Wartung S. 52

Z

Zubehör S. 55

Zugschnurschalter S. 38, 40, 47

Zugschnur S. 38, 40, 47

Merci d'avoir choisi ce produit Fresh.

Nous vous recommandons de lire ce manuel/mode d'emploi intégralement avant d'installer et d'utiliser le ventilateur. Rangez-le ensuite soigneusement afin de pouvoir l'utiliser comme référence à l'avenir.

Attention !

Ce produit n'est pas prévu pour être utilisé par des personnes (enfants compris) présentant une réduction de leurs aptitudes physiques, sensorielles ou mentales, ou un manque d'expérience et de connaissances sans être surveillées ou formées à l'utilisation du produit par une personne responsable de leur sécurité.

Garder les enfants sous surveillance pour être certain qu'ils ne jouent pas avec le produit.

Si le fil d'alimentation est endommagé, il doit être remplacé par le fabricant, son personnel d'entretien ou par des personnes d'un niveau de qualification équivalent pour éviter tout accident.

64	Introduction
65	Guide d'installation <ul style="list-style-type: none">• Sommaire• Montage• Branchement• Brève description du fonctionnement• Réglage rapide
72	Description <ul style="list-style-type: none">• Points forts, etc• Pilotage par hygrométrie• Pilotage par temporisation• Régulation de la vitesse• Panneau de commande• Témoins à LED
82	Entretien
84	Garantie
84	Recyclage
85	Accessoires
86	Caractéristiques techniques
87	Guide de dépiage des pannes
90	Index

Fresh Intellivent est un ventilateur pour salle de bains entièrement nouveau, qui établit une nouvelle référence pour ce type de produit. L'objectif initial a été d'atteindre un niveau de convivialité nettement supérieur, et parallèlement d'introduire une nouvelle technologie. Une nouvelle génération, tout simplement.

Nous avons accumulé pendant plusieurs années l'expérience des clients et de leurs besoins, d'où sont issues plusieurs fonctions innovantes permettant à l'utilisateur d'obtenir du ventilateur la fonction souhaitée.

Parmi les fonctions importantes recherchées par le consommateur, nous nous sommes attachés aux points suivants : Design, convivialité, durée de vie, niveau sonore, facilité de nettoyage et consommation d'énergie.

GUIDE D'INSTALLATION»

FR

1. Sommaire

L'emballage doit contenir les éléments suivants :

- Ventilateur
- 2 piquages, un de \varnothing 98 mm et un de \varnothing 118 mm
- Manuel
- Sac d'accessoires avec 4 vis et chevilles, tirette avec bouton et isolation pour fil électrique multibrins

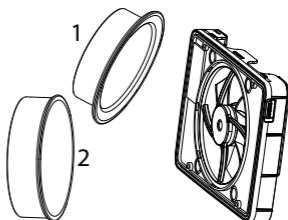
2. Montage

Ne pas monter le ventilateur dans un environnement soumis à une température dépassant 50° C.

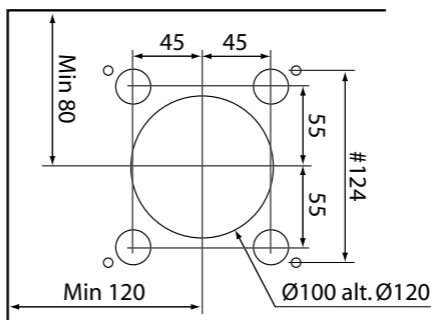
Monter si nécessaire un piquage adapté au bâti du ventilateur, \varnothing 98 (1) pour conduit \varnothing 100 ou \varnothing 118 (2) pour conduit \varnothing 125.

Le ventilateur peut également se monter et s'utiliser sans piquage, appliqué directement, par exemple sur un conduit de diamètre inférieur à 98 mm.

Pendant le montage, veiller à installer un joint entre le conduit/canalisation et la cloison/le plafond pour éviter les infiltrations d'humidité. Utiliser les vis et chevilles fournies si adéquates.



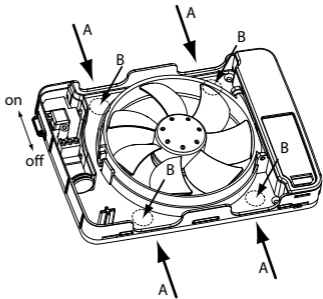
Cotes de montage



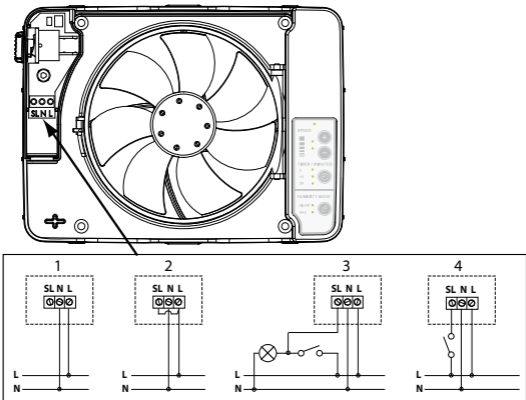
3. Branchement

- L'installation doit être effectuée par un électricien agréé.
- Le ventilateur est équipé d'une double isolation et n'a pas besoin de mise à la terre
- Mettre l'interrupteur de sécurité en position 0, arrêt
- Installer le fil conducteur soit en position apparente par les passages A du bâti comme indiqué ci-dessous, soit en montage encastré par les passages B du bâti comme indiqué ci-dessous. Utiliser la douille d'isolation pour fil multibrins fournie.
- Si vous utilisez l'un des passages B, déposer le couvercle dissimulé en plastique rond en enfonçant le cache entouré d'une indication de rupture depuis l'intérieur vers l'extérieur à l'aide d'un tournevis par exemple.

Passages des fils conducteurs
A = en applique
B = masqué



Schémas de raccordement



4. Brève description du fonctionnement

Quatre modes d'installation du ventilateur sont possibles selon le fonctionnement recherché, voir ci-dessous :

Pilotage exclusivement par hygrométrie, schéma 1

Raccorder le ventilateur à la phase constante (L) et au neutre (N) pour un pilotage par hygrométrie automatique.

La minuterie peut être activée manuellement en y attachant une ficelle que l'on tirera (voir page 70).

Bas régime constant + pilotage par hygrométrie, schéma 2

Raccorder le ventilateur à la phase constante (L) et au neutre (N) pour un pilotage automatique par hygrométrie.

Ponter la phase (L) avec le fil d'éclairage (SL) pour obtenir un ralenti constant. Quand l'air est humide, le régime du ventilateur passe à la position sélectionnée, silencieux (silent) ou régime maximal. Quand l'humidité est évacuée, le ventilateur revient au ralenti. La vitesse de rotation au ralenti est définie à l'aide des boutons de régime de rotation (speed) (plus ou moins) du panneau de commande.

Pilotage par hygrométrie + pilotage par temporisation avec un interrupteur d'éclairage, schéma 3

Raccorder le ventilateur à la phase constante (L) et au neutre (N) pour un pilotage automatique par hygrométrie.

Le fil d'éclairage (SL) est branché pour activer le pilotage du ventilateur par temporisation, c'est-à-dire quand l'éclairage de la salle de bains est allumé, le fil d'éclairage est sous tension. Cette configuration retarde le démarrage ventilateur de 90 secondes.

Quand on éteint l'éclairage, un délai de 5, 15 ou 30 minutes s'écoule avant l'arrêt du ventilateur, selon la valeur définie sur le panneau de commande.

Pilotage par hygrométrie + pilotage par temporisation avec un interrupteur poussoir, schéma 4

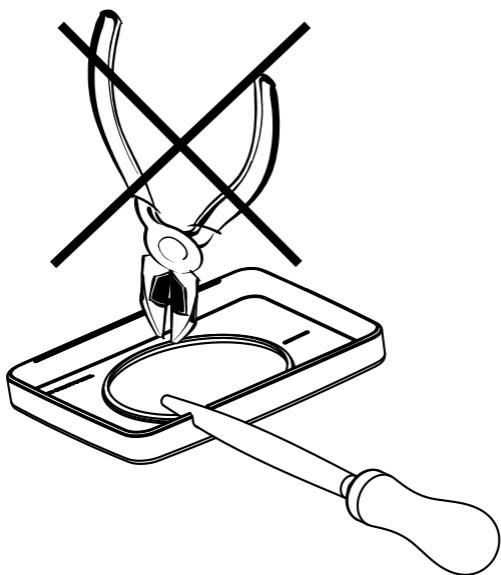
Raccorder le ventilateur à la phase constante (L) et au neutre (N) pour un pilotage automatique par hygrométrie.

Le fil d'éclairage (SL) est connecté pour activer le pilotage par temporisation du ventilateur avec un interrupteur poussoir. Dans cette configuration, le ventilateur démarre immédiatement. Le ventilateur fonctionne ensuite pendant 5, 15 ou 30 minutes, selon la valeur définie sur le panneau de commande.

Schéma de raccordement 1 - 4 voir page 67.

N.B.

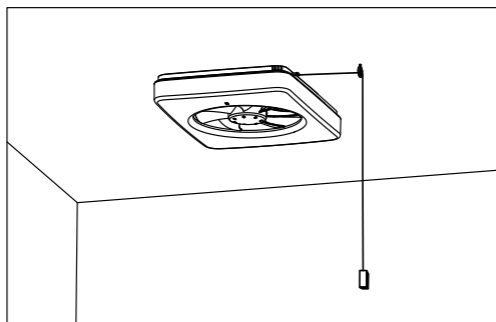
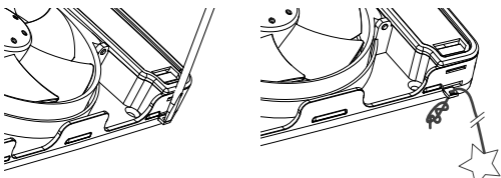
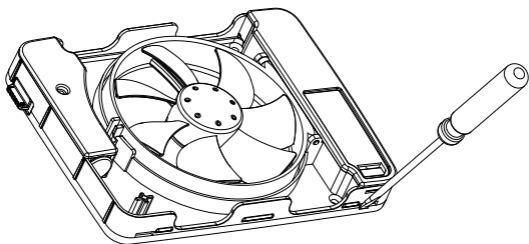
Utiliser une lime ronde de type courant pour obtenir un passage propre dans la façade. Ne PAS utiliser de pince coupante ou similaire, car cela peut fendre la façade.



Raccordement de l'interrupteur à tirette

Vous pouvez, si vous le souhaitez, monter une tirette pour activer le pilotage par temporisation à la main.

Déposer la plaque de montage à l'aide d'un tournevis par exemple et monter la ficelle fournie dans le passage conformément aux illustrations ci-dessous.



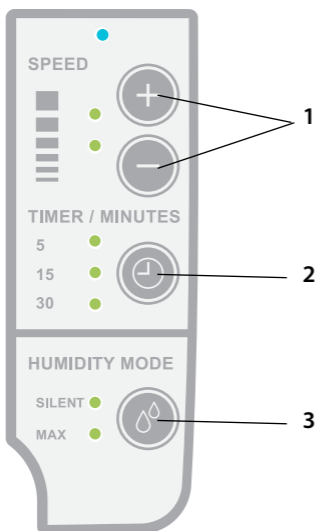
- Quand l'installation est terminée, abaisser l'interrupteur de sécurité en position I : le ventilateur est activé.

Quand le ventilateur est raccordé au secteur, il procède à un autotest du pilotage, des témoins à LED ainsi que du fonctionnement du moteur.

5. Réglage rapide du panneau de commande

Le panneau de commande permet un réglage simple et rapide des fonctions désirées.

- 1 Définir la vitesse de rotation choisie pour le fonctionnement temporisé à l'aide des boutons plus et moins. Pour revenir rapidement à la vitesse de rotation par défaut, enfoncer simultanément les boutons plus et moins.
- 2 Définir la durée de fonctionnement souhaitée 5, 15 ou 30 minutes à l'aide de la touche minuterie.
- 3 Définir le fonctionnement souhaité en mode pilotage par hygrométrie, silencieux (silent) ou capacité maximale.



Le ventilateur est maintenant prêt à être utilisé. Pour une description plus détaillée des fonctions etc., voir la section « Description détaillée » page 72.

DESCRIPTION »

- **Points forts, etc.** p 74
- **Pilotage par hygrométrie** p 76
- **Pilotage par temporisation** p 77
- **Régulation du régime de rotation** p 78
- **Panneau de commande** p 80
- **Témoins LED** p 81

Durée de vie

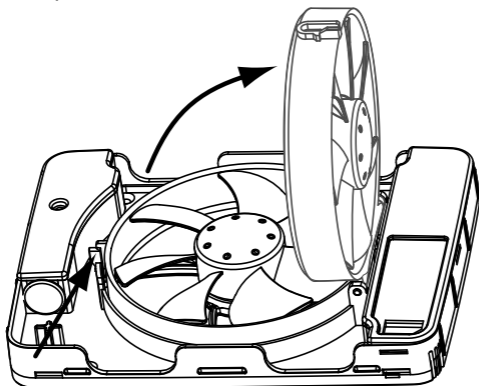
La présence d'un adaptateur secteur intégré au ventilateur nous a permis d'utiliser un moteur basse tension dont la durée de vie est de 60 000 heures. Cette valeur est trois à cinq fois supérieure à la durée de vie d'un ventilateur standard. Le moteur est équipé d'un roulement à billes extrêmement silencieux. Vous pouvez donc laisser le moteur tourner en continu sans risquer de panne moteur après un an de fonctionnement.

Deux ventilateurs en un : différentes dimensions, 100 et 125

Pour la première fois, nous pouvons présenter un ventilateur de salle de bains dont vous pouvez choisir la dimension. Le choix entre les dimensions de 100 ou 125 représente un avantage important, car elles sont couramment utilisées dans les conduits d'évacuation d'air vicié. Si vous choisissez d'utiliser la taille 125, vous bénéficierez en outre d'un niveau sonore encore plus faible et d'une capacité encore plus élevée. Vous pourrez donc choisir les tailles des piquages pour le même prix, deux ventilateurs dans un emballage, judicieux.

Facile à nettoyer : une évidence

Nous présentons une fonction très demandée : l'ouverture simplifiée du centre du ventilateur pour accéder au conduit d'aération. La fonction « swing-out » permet de nettoyer facilement et de déboucher par exemple les grillages colmatés à l'extérieur de la façade. Appuyer sur le cliquet et faire basculer le moteur. C'est terminé !



Le plus grand silence possible

Le moteur à basse tension du ventilateur permet un fonctionnement silencieux. Si vous avez eu un ventilateur à moteur conventionnel, alimenté par le courant alternatif, il vous sera difficile de savoir si votre ventilateur Intellivent est en marche quand il sera installé. Des tests montrent que Fresh Intellivent est actuellement le ventilateur le plus silencieux du marché.

Interrupteur de sécurité intégré

En principe, tous les ventilateurs du marché n'ont pas d'interrupteur de sécurité intégré. Les normes européennes de sécurité électrique exigent que chaque appareil électrique fixe soit protégé par un interrupteur multipolaire. Cela contraint à monter un interrupteur séparé sur la cloison en amont du ventilateur. Fresh Intellivent est équipé d'un interrupteur multipolaire, vous évitant la pose d'un interrupteur supplémentaire. De série. Un élément très économique pour le consommateur qui, en outre, gagne du temps pendant l'installation. Nous trouvons que c'est une bonne idée.

Fonction aération

Une fonction intégrée au Fresh Intellivent commande le démarrage d'un programme d'aération pendant 60 minutes pour renouveler l'air de la salle de bains après 16 heures d'inactivité du ventilateur. Fini les désagréments d'un air renfermé, au parfum de moisi dans la salle de bains après une absence prolongée.

Consommation d'énergie

Le choix d'utiliser un moteur à basse tension nous permet de réduire radicalement la consommation d'énergie. Le ventilateur ne consomme que 5 watt, soit environ un tiers de la consommation des ventilateurs actuels pour salles de bains.

Montage entièrement apparent

Fresh Intellivent a été conçu pour un montage entièrement apparent si vous ne choisissez pas d'utiliser les piquages 100 ou 125. Cette fonction est extrêmement intéressante pour un conduit de diamètre inférieur à 100 mm ou en présence d'un coude suivant immédiatement le passage dans la cloison. Aucun autre ventilateur de salle de bains conventionnel n'est conçu pour

un montage entièrement apparent. Nous n'avons pas fait de concession dans l'autre sens, le ventilateur ne dépasse pas de plus de 30 mm mais il reste un espace confortable pour monter rapidement les fils électriques !

Design

Avec Fresh Intellivent, nous présentons un design entièrement nouveau de la façade aussi. Le couvercle de la façade est fabriqué en ABS incolore qui est ensuite peint à l'intérieur avec une peinture à l'eau, métallique et d'excellente qualité. Le résultat est une surface donnant une impression de profondeur agréable à l'oeil et s'intégrant harmonieusement dans les équipements modernes des salles de bains actuelles. Les couvercles des façades peuvent être fabriqués dans des teintes différentes pour s'accorder à des matériaux et à des coloris variés. Les pales visibles donnent une impression rétro tout en concourant au faible niveau sonore du ventilateur.

Un monde : une version

L'adaptateur secteur incorporé assure la compatibilité du moteur du ventilateur à la fréquence et à la tension du secteur : vous pouvez ainsi installer le ventilateur dans tous les pays du monde, avec un secteur à 50 ou 60 Hz, 115 ou 230 volt, cela n'a pas d'importance. Il faut cependant respecter la réglementation de sécurité en vigueur dans le pays. Fresh Intellivent est actuellement homologué dans l'Europe entière exclusivement. D'autres homologations vont suivre.

Automatisme hygrométrique

Fresh Intellivent est équipé d'une toute nouvelle génération de pilotage par hygrométrie et conçu pour une utilisation encore plus simple pour l'utilisateur.

Nous pouvons présenter pour la première fois un pilotage entièrement automatique par hygrométrie. Le ventilateur apprend à fonctionner exclusivement quand il est utile.

Le réglage manuel du ventilateur pour un démarrage en fonction de l'humidité de l'air devient superflu. Ce réglage manuel est indispensable sur tous les ventilateurs actuels pilotés par hygrométrie, surtout en fonction de la saison.

Avec sa fonction « renifleur », le ventilateur s'interroge en permanence sur son utilité. Si le ventilateur peut abaisser le taux d'humidité de l'air, il démarre automatiquement. Cette « intelligence » est pilotée par un microprocesseur doté d'un nouveau logiciel basé sur plusieurs années de tests dans des environnements variés. Si le ventilateur ne peut pas abaisser le taux d'humidité de l'air, il s'arrête.

Le ventilateur est en outre doté de deux régimes de fonctionnement en mode piloté par hygrométrie : silencieux ou régime maximal.

Si vous avez réglé le ventilateur en position silencieux, il fonctionnera selon son cahier des charges. Ceci correspond à une capacité normale, mais à un niveau sonore extrêmement faible. Si vous avez réglé le ventilateur en position maximale, il fonctionnera à plein régime, avec une capacité supérieure d'environ 30% à celle d'un ventilateur standard.

Si vous avez une petite salle de bains, la position silence s'impose d'elle-même. Si vous avez une grande salle de bains, vous pouvez choisir la position maximale pour disposer d'une capacité supérieure, en particulier si vous avez choisi la dimension 125.

Si vous souhaitez arrêter le ventilateur provisoirement pendant que vous prenez un bain, même s'il a été activé par le programme hygrométrie, exercez une traction sur la tirette (si vous l'avez installée) et le ventilateur fait une pause d'une heure. Il reprend ensuite son fonctionnement en mode hygrométrie.

Vous pouvez également interrompre la fonction d'arrêt forcé à tout instant en tirant à nouveau sur la tirette ; le ventilateur revient alors à son fonctionnement en mode hygrométrie.

Pilotage par temporisation

Fresh Intellivent est équipé d'un pilotage par temporisation que vous pouvez activer de plusieurs manières, par l'interrupteur de l'éclairage, par la tirette ou par un interrupteur séparé, qui peut être de type poussoir. Vous pouvez également ponter le fil d'éclairage avec la phase à l'intérieur du ventilateur, obtenant ainsi un fonctionnement continu du ventilateur. Le panneau de commande permet de sélectionner facilement la durée de fonctionnement associée à la temporisation : 5, 15 ou 30 minutes, selon la surface de votre salle de bains. Si le ventilateur est activé par l'interrupteur de l'éclairage, il démarre après un délai de 90 secondes. Si vous faites une visite brève aux toilettes, le ventilateur n'aura probablement pas besoin de démarrer. La diode verte clignote à un rythme qui accélère jusqu'au démarrage du ventilateur, et revient ensuite à un fonctionnement continu.

Le pilotage du ventilateur par temporisation peut être activé selon les quatre méthodes suivantes:

1. Activation par la tirette

Monter la tirette fournie et activer le pilotage par temporisation en tirant sur la ficelle.

Dans cette configuration, le ventilateur démarre immédiatement.

Le ventilateur fonctionne ensuite pendant 5, 15 ou 30 minutes, selon la valeur définie sur le panneau de commande.

Vous pouvez également interrompre cette fonction par minuterie en tirant à nouveau sur la ficelle.

2. Fonctionnement constant par minuterie (basse vitesse)

Si la phase (L) est pontée avec le fil d'éclairage (SL), le ventilateur tourne en permanence au régime sélectionné.

On choisira généralement un régime modéré pour le fonctionnement en continu en raison du silence obtenu avec la capacité minimale.

Quand l'air est humide, le régime du ventilateur passe à la position sélectionnée, silencieux (silent) ou régime maximal.

Quand l'humidité est évacuée, le ventilateur revient au ralenti.

La vitesse de rotation au ralenti est définie à l'aide des boutons de régime de rotation (speed) (plus ou moins) du panneau de commande.

3. Raccordement à l'interrupteur de l'éclairage

Le fil d'éclairage (SL) est branché pour activer le pilotage du ventilateur par temporisation ; quand l'éclairage de la salle de bains est allumé, le fil d'éclairage est sous tension.

Dans cette configuration, le ventilateur démarre après un délai de 90 secondes.

Quand l'éclairage s'éteint, le ventilateur fonctionne pendant 5, 15 ou 30 minutes, selon la valeur définie sur le panneau de commande.

4. Raccordement à un interrupteur poussoir

Le fil d'éclairage (SL) est connecté pour activer le pilotage du ventilateur par temporisation avec un interrupteur poussoir. Dans cette configuration, le ventilateur démarre immédiatement. Le ventilateur fonctionne ensuite pendant 5, 15 ou 30 minutes, selon la valeur définie sur le panneau de commande.

Régulation intégrée de la vitesse de rotation

Fresh Intellivent est également équipé d'une régulation intégrée de la vitesse de rotation, qui commande la capacité du ventilateur en mode piloté par temporisation. Si vous avez ponté le fil d'éclairage (SL) avec la phase pour obtenir un fonctionnement continu, vous pouvez choisir par exemple de faire tourner le ventilateur à bas régime et à un niveau sonore extrêmement faible. Quand le ventilateur détecte de l'humidité, il passe au mode et au régime de fonctionnement que vous avez choisi, silencieux ou capacité maximale. Le régime le plus élevé commande le ventilateur : si vous avez sélectionné pour le pilotage par temporisation un régime plus élevé que le régime défini pour le mode silencieux piloté par hygrométrie, le ventilateur tournera au régime plus élevé. Choisir un régime plus bas pour la fonction hygrométrie en mode de fonctionnement continu serait illogique. On choisira généralement un régime plus faible pour le fonctionnement en continu en raison du silence obtenu avec la capacité minimale.

Quand l'air est humide, le régime du ventilateur passe à la position sélectionnée, silencieux (silent) ou régime maximal.

Quand l'humidité est évacuée, le ventilateur revient au ralenti.

La vitesse de rotation au ralenti est définie à l'aide des boutons de régime de rotation (speed) (plus ou moins) du panneau de commande.

Les boutons de régime de rotation (speed) du panneau de commande permettent de choisir la vitesse de rotation en mode piloté par temporisation. Lors de sa première installation, le ventilateur est configuré pour fonctionner à sa capacité et à son régime normaux. Les témoins des boutons plus et moins sont alors allumés.

Pour augmenter le régime de fonctionnement, taper sur le bouton plus jusqu'à obtention du régime souhaité. Il y a quatre crans en montant. Pour augmenter la vitesse de rotation, ne pas maintenir la pression sur le bouton, appuyer pour chaque cran. Chaque pression sur le bouton augmente la vitesse de rotation de 7%. Quand vous avez choisi une vitesse à partir de la position normale, seul le témoin du bouton plus est allumé.

Pour réduire le régime de fonctionnement, appuyer sur le bouton moins jusqu'à obtention du régime souhaité. Il y a six crans en descendant. Pour réduire la vitesse de rotation, ne pas maintenir la pression sur le bouton, appuyer pour chaque cran. Chaque pression sur le bouton réduit la vitesse de rotation de 6%. Quand vous avez choisi une vitesse réduite à partir de la position normale, seul le témoin du bouton moins est allumé.

Pour revenir au régime de rotation normal, appuyer simultanément sur les deux boutons, les deux témoins sont à nouveau allumés.

Panneau de commande

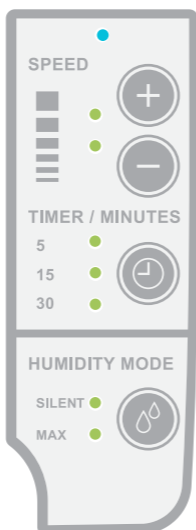
Jusqu'ici, il n'existait pas de moyen simple d'indiquer les fonctions d'un ventilateur de salle de bains, pas davantage que de régler et piloter le ventilateur facilement selon vos désirs. Notre objectif était de permettre à l'utilisateur de commander et comprendre les fonctions élémentaires du ventilateur sans avoir à lire le mode d'emploi. Nous pensons avoir réussi. Si le panneau de commande reste inutilisé pendant 30 secondes, il passe en mode veille et tous les témoins s'éteignent (sauf éventuellement celui qui indique la fonction du ventilateur). Pour réactiver le panneau de commande, appuyer une fois sur n'importe quel bouton, aucun réglage ne sera modifié tant que vous ne tapez pas à nouveau sur un bouton. Les boutons du panneau de commande ont une durée de vie d'au moins 1 million de pressions, nous pensons que c'est suffisant.

Témoin LED : que fait le ventilateur ?

Description du fonctionnement

Fresh Intellivent est équipé d'une LED tricolore.

Ces couleurs informent l'utilisateur de l'activité du ventilateur et de la fonction qui commande le moteur.



- Aucune diode allumée : le ventilateur est à l'arrêt. La conception ouverte du ventilateur explique qu'il fonctionne cependant comme ouverture d'aération fonctionnant par tirage naturel.
- Diode bleue allumée : le ventilateur est activé : le capteur d'humidité a détecté une augmentation de l'hygrométrie dans la pièce.
- Diode bleue clignotante : le ventilateur est activé : le capteur d'humidité a découvert qu'il peut réduire l'hygrométrie dans la pièce.
- Diode jaune allumée : La commande par temporisation du ventilateur est activée par le fil de l'éclairage (interrupteur) ou par la tirette montée sur le ventilateur.
- Diode jaune clignotante : La commande par temporisation du ventilateur est activée par l'interrupteur d'éclairage. La diode clignote pendant le délai de démarrage de 90 secondes. La diode clignote à une fréquence croissante avec l'approche du démarrage du ventilateur.
- Diode mauve allumée : Le moteur est activé : la fonction aération est en action.

La possibilité de voir ce que fait le ventilateur et la fonction qui le pilote à l'instant « t » est un élément de confort important pour l'utilisateur. Le ventilateur fait appel aux trois couleurs de la LED pour indiquer précisément ce qu'il fait. Une lumière bleue signifie que le ventilateur évacue l'humidité dangereuse. Un voyant jaune indique que le pilotage par temporisation est activé pour une raison quelconque. Un voyant mauve signifie que la fonction d'aération automatique est activée.

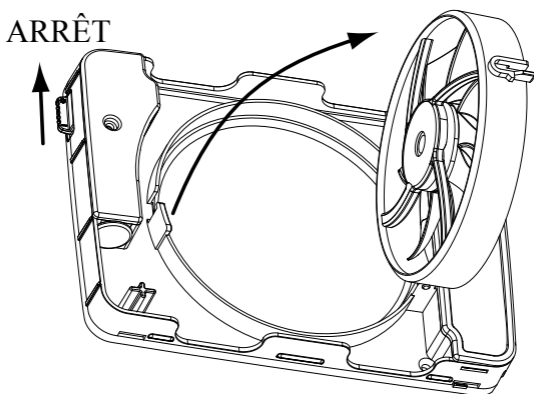
Entretien

Fresh Intellivent a été conçu pour fonctionner efficacement pendant de nombreuses années.

Pour que le ventilateur fonctionne correctement, il doit cependant être nettoyé à intervalles réguliers. L'intervalle est défini par le taux d'utilisation du ventilateur ainsi que par la qualité de l'air. Cependant, au moins deux nettoyages annuels sont nécessaires.

Mettre le ventilateur hors tension en soulevant l'interrupteur de sécurité en position O.

La fonction « swing out » du ventilateur est intéressante pour avoir un accès libre au conduit. Appuyer sur le cliquet du collier moteur et faire basculer le moteur/la turbine.



Nettoyer le conduit/tuyau en présence d'une couche sale. Cette couche peut réduire la capacité du ventilateur.

Nettoyer en particulier les pales du ventilateur si elles sont sales. Ceci peut provoquer un mauvais équilibre, entraînant un niveau sonore plus élevé et une réduction de la durée de vie des roulements à billes du moteur.

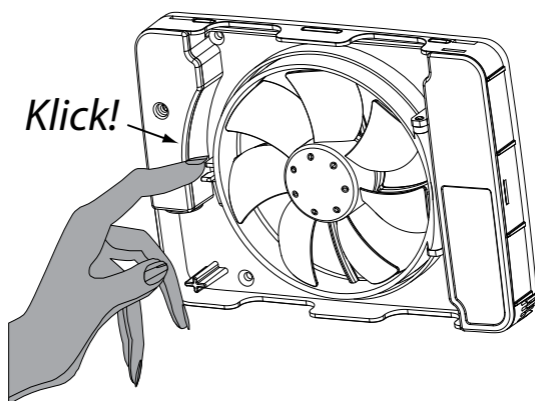
Les pales du ventilateur doivent être nettoyées à l'aide d'une brosse ou d'un pinceau. Nettoyer le couvercle du ventilateur à l'aide d'un chiffon humide, éventuellement imbibé d'un peu de savon.

N.B. Ne jamais utiliser de solvant ou produits similaires sur tout élément du ventilateur, car cela pourrait endommager ses éléments en plastique !

Ne jamais immerger le ventilateur dans l'eau, car cela peut endommager le moteur du ventilateur.

Après nettoyage, rabattre le collier moteur et le verrouiller en enfonçant le cliquet. Refermer l'interrupteur de sécurité en positionnant le levier sur 1.

FR



La garantie du ventilateur est annulée si l'entretien décrit ci-dessus n'est pas respecté.

Garantie

Votre Fresh Intellivent est un produit de la meilleure qualité.



Pour cette raison, nous donnons **5 ans de garantie** contre les défauts de fabrication.

Une excellente sécurité pour l'utilisateur.

Pour que la garantie soit valide, il faut pouvoir présenter le bon d'achat et le ventilateur doit :

- être monté et installé conformément au guide d'installation contenu dans ce manuel
- avoir été entretenu conformément aux instructions d'entretien de ce manuel
- être monté dans un logement normal
- être raccordé à une tension comprise entre 100 et 250 V CA
- n'avoir subi aucun coup de foudre ou surtensions anormales
- n'avoir été soumis à aucune dégradation
- avoir été installé dans une zone conforme à la classe IP 44.
- ne pas avoir été installé dans un environnement soumis à une température ayant dépassé 50 °C.

Faire état des réclamations concernant le produit à son point de vente.

Recyclage

Le produit porte le symbole WEEE, qui indique qu'il ne doit pas être jeté avec les déchets domestique et doit être remis à l'emplacement compétent pour son recyclage dans la commune concernée.

Fresh AB est relié au système national de recyclage suédois, conformément à la directive européenne WEEE. Pour informations complémentaires, veuillez consulter le site www.fresh.se



Accessoires

Une série d'accessoires destinés aux Fresh Intellivent aident l'utilisateur à procéder à une installation aussi simple et réussie que possible. Quelques exemples d'accessoires sont présentés ci-dessous.

FR

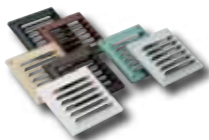
Conduit pour dimensions
100 et 125



Plaque de recouvrement
190 x 240 mm
blanche et noire



Grille en plastique
pour dimensions 100 et 125



Grille métallique
pour dimensions 100 et 125



Protection contre l'air froid
100 et 125





Pour bénéficier d'une ventilation efficace, vous devez veiller à ce qu'une quantité d'air suffisante pénètre dans la salle de bains. La solution consiste à pratiquer une ouverture au bas de la porte ou à installer une vanne d'aération dans la porte ou dans la cloison.

Il est également important de laisser l'air frais entrer dans la maison ; il sera ensuite évacué par la salle de bains et par la buanderie.

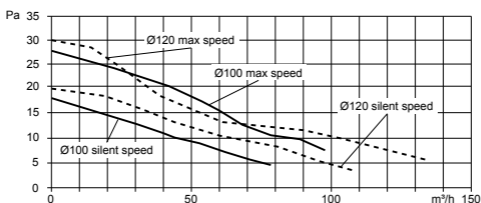
Il faut alors monter des prises d'air dans les chambres et le séjour.

CARACTÉRISTIQUES TECHNIQUES»

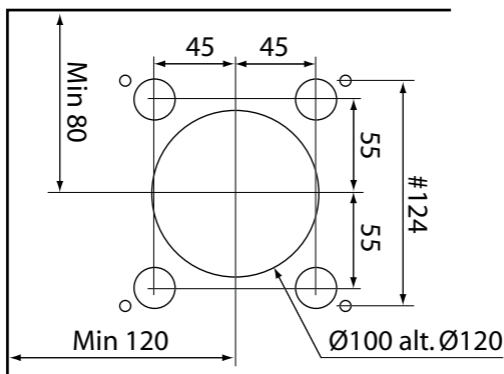
Capacité maximale	132 m ³ /h
Pression acoustique à 3 m (Mode Silencieux)	22 dB(A)
Puissance consommée	5 W
Cotes de montage dans cloison	0 - 30 mm
Perçage	0 - 130 mm
Matière	Plastique ABS
Indice de protection	IP44
Symbole de protection	
Tension	100 - 240 V
Fréquence	50 - 60 Hz
Certificat	

Dimension conduit	Max /Silencieux	Capacité (soufflage en air libre)	Pression acoustique à 3 m
Ø 100	Max	105 m ³ /h	33 dB(A)
Ø 100	Silencieux	73 m ³ /h	23,5 dB(A)
Ø 125	Max	132 m ³ /h	32 dB(A)
Ø 125	Silencieux	85 m ³ /h	22 dB(A)

Capacité



Sortie vers conduit pour installation masquée



Le ventilateur ne démarre pas

Le ventilateur est nouvellement installé et n'a jamais été utilisé

- Vérifier que la turbine du ventilateur tourne librement en lui donnant une impulsion.
- Vérifier la position de l'interrupteur de sécurité. Il doit être sur la position I, qui correspond à Marche.
- Déposer le couvercle en façade et mettre le ventilateur hors tension en positionnant l'interrupteur de sécurité sur 0 et ensuite à nouveau sur 1.
- Vérifier que le bornier L est alimenté en courant. (Électriciens seulement)
- Vérifier que le neutre est correctement branché en mesurant la tension entre L et N. (Électriciens seulement)

Si le ventilateur ne suit pas la séquence de démarrage en allumant les LED successivement et en démarrant le moteur brièvement, demander le remplacement du ventilateur si la durée de garantie n'est pas dépassée et si le bon d'achat a été conservé. Voir le chapitre Garantie en page 84.

Le ventilateur a été utilisé

Vérifier que la turbine du ventilateur tourne librement en lui donnant une impulsion.

Déposer le couvercle de la façade et redémarrer le ventilateur en ouvrant et fermant l'interrupteur de sécurité. Laisser le ventilateur hors tension pendant environ 3 secondes avant de le remettre sous tension.

Si les témoins LED s'allument successivement mais le moteur ne démarre pas, le ventilateur peut être retourné au lieu de vente si la période de garantie n'est pas dépassée et si vous avez conservé le bon d'achat. Voir le chapitre Garantie en page 84.

Le ventilateur a été nettoyé

Vérifier que la turbine du ventilateur tourne librement en lui donnant une impulsion.

Vérifier la position de l'interrupteur de sécurité. Il doit être sur la position I, qui correspond à Marche.

Le ventilateur fonctionne sans interruption

La LED bleue est allumée en permanence

(Si le ventilateur fonctionne sans interruption pendant 24 h au moins)

Vérifier son fonctionnement en ouvrant la porte de la salle de bains et en la laissant ouverte pendant au moins une demi-heure pour équilibrer l'humidité.

Déposer le couvercle en façade et mettre le ventilateur hors tension en positionnant l'interrupteur de sécurité sur 0 et ensuite à nouveau sur I.

La LED jaune est allumée en permanence

Vérifier que le ventilateur n'est pas installé pour fonctionner en continu. (Électriciens seulement)

Si le ventilateur est relié à un interrupteur externe, pour pilotage par une minuterie, ouvrir ce dernier et attendre au moins 30 minutes.

Déposer le couvercle en façade et mettre le ventilateur hors tension en positionnant l'interrupteur de sécurité sur 0 et ensuite à nouveau sur I.

Aucune LED ne s'allume

Déposer le couvercle en façade et mettre le ventilateur hors tension en positionnant l'interrupteur de sécurité sur 0 et ensuite à nouveau sur I.

Si le ventilateur continue à fonctionner sans interruption, il peut être retourné au lieu de vente si la période de garantie n'est pas dépassée et si vous avez conservé le bon d'achat. Voir le chapitre Garantie en page 84.

Autres pannes

Le ventilateur s'arrête quand on éteint l'éclairage

Le ventilateur a été mal installé. La borne L du bornier doit toujours recevoir la phase directe.

Contactez votre électricien.

Le ventilateur ne fonctionne pas conformément à la description

Déposer le couvercle en façade et mettre le ventilateur hors tension en positionnant l'interrupteur de sécurité sur 0 et ensuite à nouveau sur I, Marche.

Cliquetis émis par le moteur

Un cliquetis émis par le moteur en marche est normal, cela provient de la commande du moteur.

Si le ventilateur ne fonctionne toujours pas conformément à la description donnée dans ce manuel, contacter le revendeur ou Fresh par courriel : intellivent@fresh.se.

A

Accessoires p 85

B

Bas régime p 68, p 77

Branchement - raccordement p 67

Brève description du fonctionnement p 68

C

Caractéristiques techniques p 86

Cotes de montage p 66

Cotes d'installation p 86

Consommation électrique, caractéristiques techniques p 74, 86

D

Description du fonctionnement : description p 68, 72

Dimensions p 86

E

Éclairage salle de bains - raccordement p 67

Emballage, contenu p 66

Entretien p 82

F

Fil d'éclairage : raccordement p 67

Fonction aération p 74

G

Garantie p 84

Guide de dépiage des pannes p 87

H

Hygrométrie relative : automatisme hygrométrie p 76

I

Interrupteur à tirette p 68, 70, 77

Installation p 67

Interrupteur poussoir	p 68, 78
Introduction	p 64
J	
Bas régime constant	p 68, p 77
Schémas de raccordement	p 67
L	
LED, panneau de commande	p 71, 81
M	
Minuterie : description	p 77
Montage	p 66
Moteur	p 73, 82, 89
N	
Nettoyage, Facilité de nettoyage	p 73, 82
P	
Panneau de commande	p 71, 80
Passages : couvercle de montage	p 69
Passages des fils conducteurs	p 67
Pause, fonction pause	p 76
Pilotage par hygrométrie : description	p 76
Problèmes : guide de dépistage des pannes	p 87
R	
Régulation du régime de rotation	p 78
T	
Tension secteur : caractéristiques techniques	p 86
Tirette	p 68, 70, 77
V	
Vitesse	p 68, 77

Hartelijk dank dat u hebt gekozen voor dit product van Fresh. Lees deze handleiding door voordat u de ventilator gaat installeren en gebruiken. Bewaar ze voor latere naslag.

Waarschuwing!

Dit product is niet bedoeld voor gebruik door personen (waaronder kinderen) met verminderd lichamelijk, zintuiglijk of geestelijk vermogen, of met gebrek aan ervaring en kennis, tenzij zij onder toezicht staan of instructies met betrekking tot het gebruik van het product hebben gekregen van een persoon die verantwoordelijk is voor hun veiligheid.

Kinderen moeten onder toezicht blijven om ervoor te zorgen dat ze niet met het product spelen.

Een beschadigd netsnoer moet worden vervangen door de fabrikant, zijn servicevertegenwoordiger of een vergelijkbare vakman om gevaarlijke situaties te vermijden.

94	Inleiding
95	Installatierichtlijnen <ul style="list-style-type: none">• Inhoud• Installatie• Aansluiting• Korte functiebeschrijving• Snelle instelling
102	Beschrijving <ul style="list-style-type: none">• Uitgebreide functies, enz.• Vochtigheidsregeling• Timer• Snelheidsregeling• Bedieningspaneel• LED-lampjes
112	Onderhoud
114	Garantie
114	Recycling
115	Accessoires
116	Technische gegevens
117	Oplossen van problemen
120	Index

Fresh Intellivent is een geheel nieuw type badkamerventilator die een geheel nieuwe norm stelt voor dit soort producten. Het uitgangspunt was de gebruiksvriendelijkheid aanzienlijk te verbeteren en tegelijkertijd nieuwe technologie te introduceren. Anders gezegd: een ventilator van een nieuwe generatie.

Gedurende vele jaren hebben we informatie over de behoeften van onze klanten verzameld. Deze informatie was onze inspiratiebron voor talloze innovatieve functies die het u, de gebruiker, gemakkelijker maken om de ventilator te doen werken zoals u het wilt.

Belangrijke punten voor klanten zijn onder meer: design, gebruiksvriendelijkheid, levensduur, geluidsniveau, reinigbaarheid en energieverbruik.

INSTALLATIERICHTLIJNEN »

NL

1 Inhoud

De verpakking moet de volgende elementen bevatten:

- Ventilator
- 2 verloopringen, 1 x Ø98 mm en 1 x Ø118 mm
- Handleiding
- Zakje accessoires met 4 schroeven en pluggen, een trekkoord met schakelaar en een isolatiemof voor het standaard kabeltype (FK)

2 Installatie

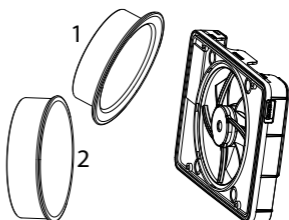
De ventilator mag niet worden geïnstalleerd in een omgeving waar de temperatuur tot boven 50 °C kan stijgen.

Bevestig indien nodig een geschikte ver-

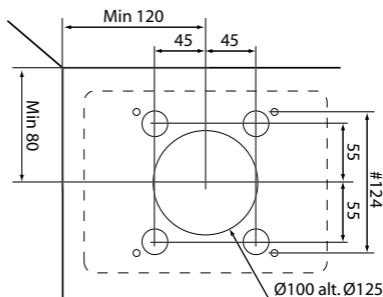
loopring op de ventilatorbehuizing, Ø98 (1) voor een luchtkanaal van Ø100 of Ø118 (2) voor een luchtkanaal van Ø125.

Het is ook mogelijk de ventilator zonder verloopring te installeren en te gebruiken en hem volledig in te bouwen, bijvoorbeeld bij luchtkanalen van minder dan Ø98.

Zorg er bij de installatie voor dat er een afdichting is tussen de pijp/het luchtkanaal en de wand/het plafond om het indringen van vochtige lucht in de wand of het plafond te voorkomen. Gebruik indien nodig de bijgeleverde schroeven en pluggen.



Montageafmetingen



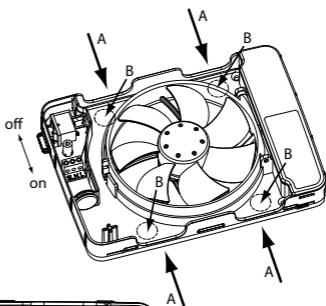
3 Aansluiting

De installatie moet door een gekwalificeerde elektricien worden uitgevoerd.

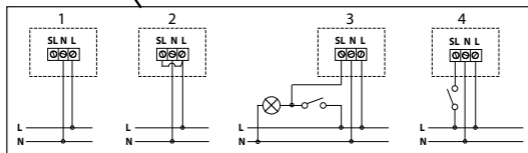
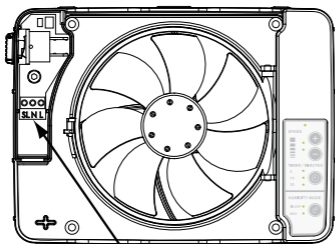
* De ventilator is dubbel geïsoleerd en hoeft niet te worden geaard.

- Druk de veiligheidsschakelaar in stand 0, de uitgeschakelde stand.
- De kabel kan ofwel langs het oppervlak worden geïnstalleerd met behulp van ingangen A in de behuizing ofwel worden verborgen met behulp van ingangen B in de behuizing. Beide opties worden hieronder getoond. Gebruik de bijgeleverde isolatiemof voor de kabel (FK).
- Als u een van de ingangen B gebruikt, verwijdert u het verborgen ronde afdekplaatje door van binnen naar buiten tegen het afbreeklijpje te tikken met een schroevendraaier of iets dergelijks.

NL



Aansluitschema's



4 Korte functiebeschrijving

De ventilator kan op vier manieren worden geïnstalleerd afhankelijk van de hieronder beschreven functies:

Alleen vochtigheidsregeling

1 De ventilator wordt aangesloten met de constante fase (L) en de nulleider (N) voor automatische vochtigheidsregeling.

De timer kan handmatig worden geactiveerd door een trekkoord te bevestigen en hieraan te trekken.

Constante lage snelheid + vochtigheidsregeling

2 De ventilator wordt aangesloten met de constante fase (L) en de nulleider (N) voor automatische vochtigheidsregeling.

Fase (L) wordt verbonden met de geschakelde fase (SL) voor een constante lage snelheid. Wanneer vochtige lucht aanwezig is, draait de ventilator in de gekozen stand: stil of maximum. Zodra de vochtige lucht is afgevoerd, gaat de ventilator opnieuw met lage snelheid draaien. U kunt de instelling van de lage snelheid wijzigen met de snelheidstoetsen (plus of min) op het bedieningspaneel.

Vochtighheidsregeling + timer met lichtschakelaar

3 De ventilator wordt aangesloten met de constante fase (L) en de nulleider (N) voor automatische vochtigheidsregeling.

De geschakelde fase (SL) wordt aangesloten om de timer van de ventilator te activeren. Dit betekent dat er stroom aanwezig is bij de geschakelde fase wanneer het licht op de badkamer wordt ingeschakeld. Met deze optie start de ventilator met een vertraging van 90 seconden. Wanneer het licht wordt uitgeschakeld, stopt de ventilator met een vertraging van 5, 15 of 30 minuten (nalooptijd), afhankelijk van de instelling die u hebt gekozen op het bedieningspaneel.

Vochtigheidsregeling + timer met momentschakelaar

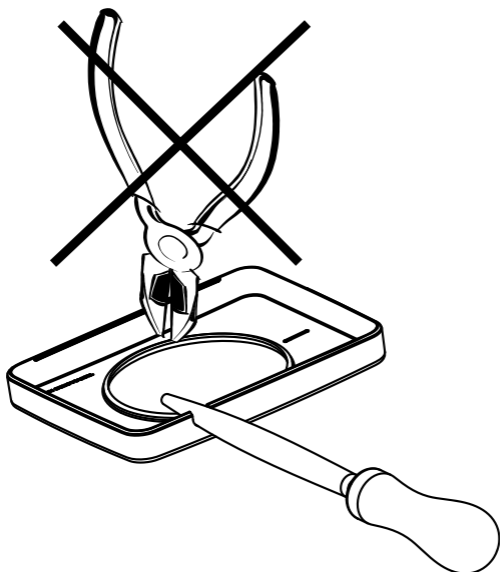
4 De ventilator wordt aangesloten met de constante fase (L) en de nulleider (N) voor automatische vochtigheidsregeling.

De geschakelde fase (SL) wordt aangesloten om de timer van de ventilator te activeren met behulp van een momentschakelaar. Met deze optie start de ventilator onmiddellijk. De ventilator stopt met een vertraging van 5, 15 of 30 minuten (nalooptijd), afhankelijk van de instelling die u hebt gekozen op het bedieningspaneel.

Zie pagina 7 voor aansluitschema's voor 1-4.

LET OP!

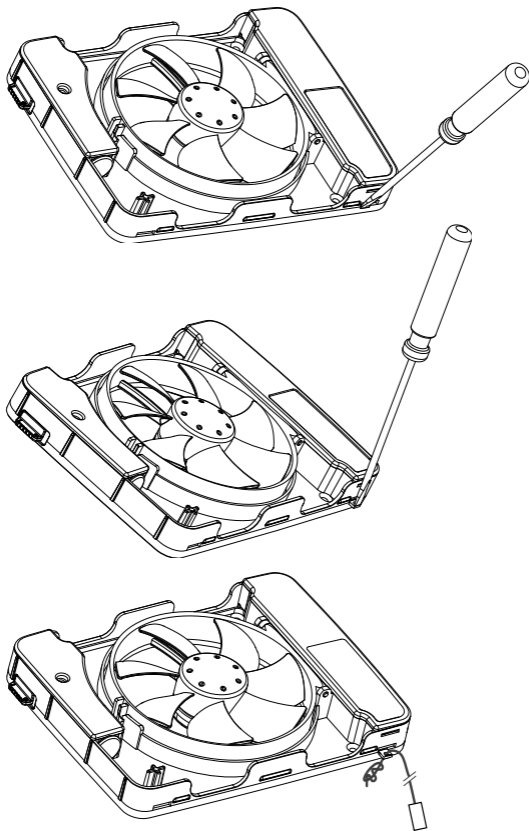
Maak met een gewone ronde vijl een mooie uitsparing op de juiste plaats in het frontplaatje. Gebruik GEEN tang of soortgelijk gereedschap, want hierdoor kan het plaatje barsten.



Aansluiten van de trekkoordschakelaar

Indien gewenst kan een trekkoord worden geïnstalleerd om de timer handmatig te activeren.

Verwijder het montageplaatje met een schroevendraaier of iets dergelijks en steek het bijgeleverde trekkoord door het gat zoals hieronder getoond.



- Wanneer de installatie is voltooid, drukt u de veiligheidsschakelaar omhoog in stand I. De ventilator is actief.

Wanneer de ventilator op de stroombron wordt aangesloten, voert hij ook een zelftest uit waarbij de

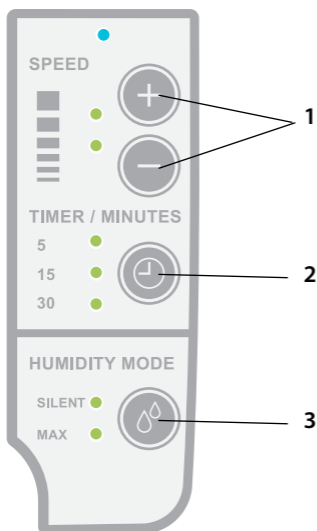
regelfuncties, de LED-lampjes en de werking van de motor worden getest.

5 Snelle instelling van het bedieningspaneel

Met het bedieningspaneel kunt u de gewenste functies snel en eenvoudig instellen.

1 Stel de gewenste snelheid voor de timerfunctie in met de plus- en mintoetsen. U kunt de fabrieksinstelling van de snelheid snel herstellen door de plus- en mintoetsen tegelijkertijd in te drukken.

2 Stel de gewenste nalooptijd (5, 15 of 30 minuten) voor de timerfunctie in met de timertoets. *(Als u ervoor kiest een timer te gebruiken.)*



3 Selecteer de gewenste vochtigheidsstand: stil of maximum.

De ventilator is nu klaar voor gebruik. Zie de paragraaf Beschrijving op pagina 12 voor een meer gedetailleerde beschrijving van de functies en verdere informatie.

BESCHRIJVING »

- **Uitgebreide functies, enz.** p. 104
- **Vochtigheidsregeling** p. 106
- **Timer** p. 107
- **Snelheidsregeling** p. 108
- **Bedieningspaneel** p. 110
- **LED-lampjes** p. 111

Levensduur

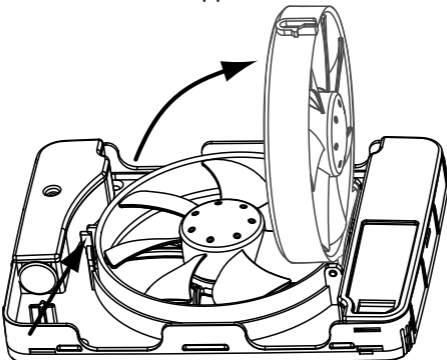
Doordat de ventilator een ingebouwde spanningsadapter heeft, hebben we een laagspanningsmotor kunnen gebruiken met een levensduur van circa 60.000 uur. Dit is drie tot vijf keer langer dan een standaardventilator. De motor heeft uiterst stille lagers. U kunt de ventilator nu ook continu laten werken zonder het risico dat hij na één jaar defect is.

Twee ventilatoren in één – verschillende afmetingen, zowel 100 als 125

Voor het eerst bieden we een badkamerventilator aan waarvan u de afmeting kunt kiezen. Het feit dat u kunt kiezen tussen 100 en 125 is een groot voordeel, want dit zijn de twee meest gebruikte afmetingen voor luchtafvoerkanalen. Kiest u voor de afmeting 125, dan is het geluidsniveau zelfs nog lager en de opbrengst nog hoger. Met twee bijgeleverde verloopringen van verschillende grootte krijgt u dus twee ventilatoren voor de prijs van één!

Reinigbaarheid - natuurlijk

Een zeer populaire functie die we voor dit product introduceren, is de mogelijkheid om het midden van de ventilator eenvoudig te openen en toegang te krijgen tot het luchtkanaal. Met de "uitklapfunctie" kunt u bijvoorbeeld gemakkelijk een verstopt rooster aan de buitenkant van de gevel reinigen en vrijmaken. U hoeft alleen maar de veerklem in te drukken en de motor naar buiten te klappen!



Uiterst stil

Het ontwerp van de laagspanningsmotor die in de ventilator is gebruikt, staat borg voor een geruisloze werking. Wie vroeger een ventilator met een gewone wisselstroommotor gebruikte, zal nauwelijks merken dat de Intellivent draait nadat hij is geïnstalleerd en in bedrijf is gesteld. Tests tonen aan dat Fresh Intellivent vandaag de stilste ventilator op de markt is.

Geïntegreerde veiligheidsschakelaar

In principe heeft geen enkele ventilator die vandaag op de markt is een geïntegreerde veiligheidsschakelaar. De Europese normen voor elektrische veiligheid schrijven voor dat een permanent elektrisch apparaat moet worden voorafgegaan door een omnipolaire schakelaar. Dit betekent dat u een afzonderlijke schakelaar moet installeren op de wand voordat de kabel de ventilator bereikt. Fresh Intellivent heeft een geïntegreerde omnipolaire schakelaar, zodat u geen afzonderlijke schakelaar hoeft te installeren. Dit is standaard. Het levert u als consument een kostenvoordeel op en garandeert tevens een snellere installatie. Echt slim!

Beluchtingsfunctie

Fresh Intellivent heeft een geïntegreerde functie die, wanneer de ventilator 16 uur inactief is geweest, een 60 minuten durend beluchtingsprogramma uitvoert om de lucht in de badkamer te verversen. U hoeft zich dus geen zorgen meer te maken over mufte geurtjes in de badkamer wanneer u een tijdje weg bent geweest.

Energieverbruik

Door het gebruik van een laagspanningsmotor kunnen we het energieverbruik gevoelig beperken. De ventilator verbruikt slechts 5 watt, ongeveer een derde van het verbruik van een conventionele badkamerventilator.

Volledige inbouwmontage

Fresh Intellivent is zo ontworpen dat hij volledig kan worden ingebouwd, als u ervoor kiest geen verloopring van 100 of 125 te installeren. Dit is ideaal als het luchtkanaal kleiner is dan 100 mm of direct na het gat afbuigt. Geen enkele andere conventionele badkamerventilator kan volledig worden ingebouwd. Maakt u zich geen zorgen, we hebben ook aan andere opties gedacht. Op voorwaarde dat de ventilator niet meer dan 30 mm uitsteekt, is er nog ruimte genoeg om kabels aan te sluiten (zowel FK als EKK) voor een snelle en eenvoudige installatie!

Design

Met Fresh Intellivent introduceren we een gloednieuw frontplaatdesign. Door het plaatje te vervaardigen in kleurloze ABS-kunststof en de binnenkant te lakken met hoogwaardige metaalverf op waterbasis, zijn we erin geslaagd een inbouwdiepte te verkrijgen die visueel aantrekkelijk is en harmonieus samengaat met andere moderne badkameruitrusting. De frontplaatjes zijn in verschillende kleuren leverbaar en kunnen met vele mogelijke materiaal- en kleuropties worden gecombineerd. De zichtbare ventilatorbladen stralen een retrogevoel uit en zorgen voor een zeer laag geluidsniveau.

Eén wereld, één versie

Dankzij de geïntegreerde spanningsadapter worden de frequentie en de spanning aangepast aan de ventilatormotor. Dit betekent dat u de ventilator overal ter wereld kunt installeren. 50 of 60 Hz of 115 of 230 volt, het maakt niet uit. U dient echter wel de nationaal geldende voorschriften op het gebied van elektrische veiligheid na te leven. Fresh Intellivent is momenteel alleen goedgekeurd in heel Europa. Goedkeuring in andere delen van de wereld volgt.

Automatisch vochtdetectiesysteem

Fresh Intellivent is uitgerust met een vochtigheidsregelsysteem van een gloednieuwe generatie en is ontworpen om de bediening nog eenvoudiger te maken voor de gebruiker. Met de introductie van een volautomatische vochtigheidsregeling zorgen we voor een primeur. Dit betekent dat de ventilator alleen draait als hij echt een verschil kan maken. U hoeft de ventilator dus niet langer handmatig af te stellen om te starten wanneer er te veel vocht in de lucht is. Deze handmatige afstelling is nodig bij alle ventilatoren met vochtigheidsregeling die vandaag op de markt zijn en is seizoensafhankelijk. Dankzij de geïntegreerde "snuffelfunctie" vraagt de ventilator zich voortdurend af of hij een verschil kan maken. De ventilator start automatisch als hij het vochtgehalte in de lucht kan verlagen. Deze "kennis" wordt gestuurd door een geïntegreerde microprocessor met behulp van software die nieuw werd ontwikkeld na jarenlange tests in verschillende omgevingen. De ventilator stopt wanneer hij de vochtigheid niet verder kan verlagen. De ventilator heeft ook twee opbrengststanden voor vochtigheidsregeling: stil of maximum. Als u de ventilator in de stille stand hebt gezet, werkt de ventilator volgens zijn basisspecificatie. Dit betekent een normale opbrengst, maar een zeer laag geluidsniveau. Als u de ventilator in de maximumstand hebt gezet, werkt de ventilator met de maximumsnelheid en is zijn opbrengst zowat 30 % hoger dan bij een gelijkwaardige standaardventilator. Hebt u een kleine badkamer, dan is de stille stand de logische keuze. Als u een grote badkamer hebt, dan kunt u ook opteren voor de maximumstand en de hogere opbrengst, vooral als u voor de afmeting 125 hebt gekozen. Wilt u een ontspannend bad nemen en de ventilator tijdelijk uitschakelen hoewel de vochtigheidsfunctie actief is, trekt u aan het trekkoord (indien geïnstalleerd) om de ventilator één uur lang uit te schakelen (pauzefunctie). De vochtigheidsfunctie wordt opnieuw geactiveerd zodra de ventilator weer in werking treedt. U kunt de geforceerde stopfunctie ook op elk moment annuleren door nogmaals aan het koord te trekken. De ventilator treedt weer in werking en de vochtigheidsfunctie is actief.

Timer

Fresh Intellivent heeft een geïntegreerde timer die u op verschillende manieren kunt activeren: via de lichtschakelaar, met een trekkoord* of met een afzonderlijke standaard- of momentschakelaar. U kunt ook de geschakelde fase koppelen aan de fase in de ventilator, zodat de ventilator continu kan werken. Met het bedieningspaneel kunt u eenvoudig een nalooptijd van 5, 15 of 30 minuten instellen, afhankelijk van de grootte van uw badkamer. Als de ventilator met de lichtschakelaar wordt ingeschakeld, is er een inschakelvertraging van 90 seconden. Als u slechts even in de badkamer bent, hoeft de ventilator wellicht niet te starten. Het groene LED-lampje gaat steeds sneller knipperen totdat de ventilator start; daarna blijft het lampje constant branden. De timer van de ventilator kan op de volgende vier manieren worden aangesloten:

1 Activering met trekkoord

Bevestig het bijgeleverde trekkoord en activeer de timer van de ventilator door aan het koord te trekken. Met deze optie start de ventilator onmiddellijk. De ventilator stopt met een vertraging van 5, 15 of 30 minuten (nalooptijd), afhankelijk van de instelling die u hebt gekozen op het bedieningspaneel.

U kunt de timerfunctie annuleren door nogmaals aan het koord te trekken.

2 Constante timerfunctie (lage snelheid)

Als de fase (L) aan de geschakelde fase (SL) wordt gekoppeld, werkt de ventilator constant met de gekozen snelheid. Doorgaans wordt een lagere snelheid gekozen voor constante werking om een stille werking te verkrijgen bij minimale opbrengst.

Wanneer er vochtige lucht aanwezig is, draait de ventilator in de gekozen stand: stil of maximum.

Zodra de vochtige lucht is afgevoerd, gaat de ventilator opnieuw met lage snelheid draaien.

U kunt de instelling van de lage snelheid wijzigen met de snelheidstoetsen (plus of min) op het bedieningspaneel.

3 Aansluiting op lichtschaakelaar

De geschakelde fase (SL) wordt aangesloten om de timer van de ventilator te activeren. Dit betekent dat er stroom aanwezig is bij de geschakelde fase wanneer het licht op de badkamer wordt ingeschakeld.

Met deze optie start de ventilator met een vertraging van 90 seconden.

Wanneer het licht wordt uitgeschakeld, stopt de ventilator met een vertraging van 5, 15 of 30 minuten (nalooptijd), afhankelijk van de instelling die u hebt gekozen op het bedieningspaneel.

4 Aansluiting op momentschaakelaar

De geschakelde fase (SL) wordt aangesloten om de timer van de ventilator te activeren met behulp van een momentschaakelaar. Met deze optie start de ventilator onmiddellijk. De ventilator stopt met een vertraging van 5, 15 of 30 minuten (nalooptijd), afhankelijk van de instelling die u hebt gekozen op het bedieningspaneel.

Geïntegreerde snelheidsregeling

Fresh Intellivent heeft ook een geïntegreerde snelheidsregeling die de opbrengst van de ventilator regelt wanneer de timer is ingeschakeld. Als u de geschakelde fase (SL) aan de fase hebt gekoppeld voor continu bedrijf, kunt u er bijvoorbeeld voor kiezen de ventilator met lage snelheid te laten draaien voor een stille werking. Wanneer de ventilator vochtige lucht detecteert, schakelt hij over op de gekozen functie en snelheid in de stille of maximumstand. Het is echter de maximumsnelheid die de ventilator stuurt. Dit betekent dat, als u voor de timer een hogere snelheid hebt ingesteld dan de gekozen snelheid voor de stille stand met vochtigheidsregeling, de ventilator altijd met de hogere snelheid zal draaien. Het gebruik van een lagere snelheid voor de vochtigheidsfunctie bij continu bedrijf zou onlogisch zijn. Doorgaans wordt een lagere snelheid gekozen voor constante werking om een stille werking te verkrijgen bij minimale opbrengst.

Wanneer er vochtige lucht aanwezig is, draait de ventilator in de gekozen stand: stil of maximum.

Zodra de vochtige lucht is afgevoerd, gaat de ventilator opnieuw met lage snelheid draaien.

U kunt de instelling van de lage snelheid wijzigen met de snelheidstoetsen (plus of min) op het bedieningspaneel.

Met de snelheidstoetsen op het bedieningspaneel kunt u de gewenste snelheid kiezen wanneer de timer van de ventilator actief is. Bij de oorspronkelijke installatie van de ventilator wordt hij op de normale opbrengst en snelheid ingesteld. De LED-lampjes van de plus- en mintoetsen branden allebei.

U kunt de snelheid verhogen door op de plustoets te drukken totdat de gewenste snelheid is bereikt. De snelheid kan in vier stappen worden verhoogd. U kunt de toets niet ingedrukt houden om de snelheid te verhogen. U moet de toets telkens indrukken en loslaten. Bij elke druk op de toets wordt de snelheid met 7 procent verhoogd. Als u de snelheid hebt verhoogd vanaf de instelling die in de normale stand wordt gebruikt, licht alleen het lampje van de plustoets op.

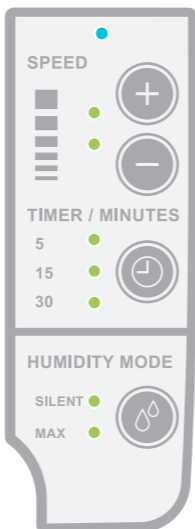
Als u de snelheid wilt verlagen, drukt u op de mintoets totdat de gewenste snelheid is bereikt. De snelheid kan in zes stappen worden verlaagd. U kunt de toets niet ingedrukt houden om de snelheid te verlagen. U moet de toets telkens indrukken en loslaten. Bij elke druk

op de toets wordt de snelheid met 6 procent verlaagd. Als u de snelheid hebt verlaagd vanaf de instelling die in de normale stand wordt gebruikt, licht alleen het lampje van de mintoets op.

Druk beide toetsen tegelijkertijd in om terug te keren naar de normale snelheid. Beide snelheidslampjes branden opnieuw.

Bedieningspaneel

Tot nu toe was er geen gemakkelijke manier om de functies van een badkamerventilator te demonstreren of om de ventilator naar persoonlijke voorkeur in te stellen en te bedienen. Het was onze bedoeling dat u, de gebruiker, in staat zou zijn de basisfuncties van de ventilator te bedienen en te begrijpen zonder de handleiding te lezen. En daarin zijn we volgens ons geslaagd. Als het bedieningspaneel 30 seconden lang niet wordt gebruikt, gaat het in stand-by en gaan alle lampjes uit (behalve misschien het lampje dat de huidige ventilatorfunctie aangeeft). U kunt het bedieningspaneel opnieuw activeren door op een willekeurige toets te drukken. De instellingen worden niet gewijzigd voordat u een andere toets indrukt. De toetsen op het bedieningspaneel zijn goed voor minimaal een miljoen bedieningen. Dat zou moeten volstaan.



LED-lampjes: wat is de ventilator aan het doen?

Functiebeschrijving

Fresh Intellivent is uitgerust met een LED-lampje dat drie kleuren kan hebben.

Deze drie kleuren vertellen de gebruiker wat de ventilator aan het doen is en door welke functie de motor momenteel wordt gestuurd.

- Er brandt geen lampje: de ventilator is uitgeschakeld. Door het open ontwerp van de ventilator zorgt hij echter nog voor een natuurlijke ventilatie wanneer hij is uitgeschakeld.
- Rood lampje brandt: de motor is geactiveerd – de vochtigheidssensor heeft een verhoogde vochtigheid gedetecteerd in de kamer.
- Rood lampje knippert: de motor is geactiveerd – de ventilator heeft gedetecteerd dat hij het vochtgehalte in de kamer kan verlagen.
- Groen lampje brandt: de timer van de ventilator is geactiveerd door de geschakelde fase (schakelaar) of het trekkoord van de ventilator.
- Groen lampje knippert: de timer van de ventilator is geactiveerd door de lichtschaakelaar. Het lampje knippert gedurende de inschakelvertraging van 90 seconden. Het lampje begint sneller te knipperen naarmate de activering van de motor dichterbij komt.
- Oranje lampje brandt: de motor is geactiveerd – de beluchtingsfunctie is ingeschakeld.

Als gebruiker is het een groot voordeel visueel te kunnen zien wat de ventilator aan het doen is en welke stand actief is. Met een LED-lampje in drie kleuren geeft de ventilator exact aan wat hij aan het doen is. Een rood lampje geeft aan dat de ventilator gevaarlijk vocht afvoert. Een groen lampje geeft aan dat de timer op een of andere manier is geactiveerd. Een oranje lampje geeft aan dat de volautomatische beluchtingsfunctie is ingeschakeld.

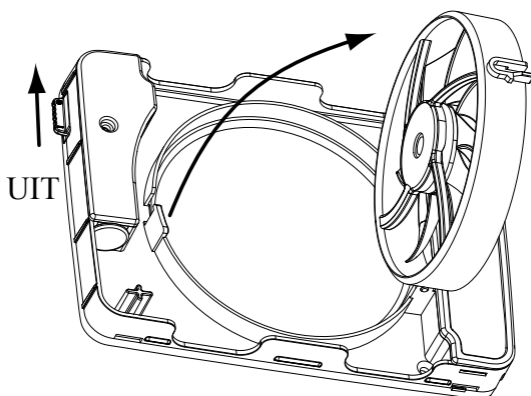
Onderhoud

Fresh Intellivent is ontworpen om gedurende vele jaren efficiënt te werken.

Voor een correcte werking moet de ventilator echter regelmatig worden gereinigd. De frequentie wordt bepaald door de werkduur van de ventilator en de luchtkwaliteit. De ventilator moet echter minstens twee keer per jaar worden gereinigd.

Onderbreek de stroomtoevoer naar de ventilator door de veiligheidsschakelaar in stand 0 te drukken.

De handige "uitklapfunctie" van de ventilator maakt een gemakkelijke toegang tot het luchtkanaal mogelijk. Druk de veerklem van de motormontagering in en klap de motor/ventilatorwaaier naar buiten.



Reinig het luchtkanaal/de pijp als er vuil in zit. Anders kan de opbrengst van de ventilator afnemen.

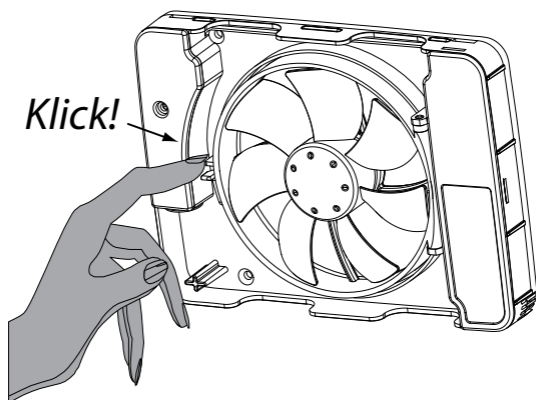
Controleer bij het reinigen van de ventilator in het bijzonder of de bladen niet vuil zijn. Anders bestaat het risico op onbalans, met meer lawaai en een kortere levensduur van de motorlagers tot gevolg.

Reinig de ventilatorbladen met een borsteltje of een verfkwas. Reinig het afdekplaatje van de ventilator met een poetsdoek die is bevochtigd met water en eventueel een zacht reinigingsmiddel.

LET OP! Gebruik nooit oplosmiddelen of soortgelijke producten om delen van de ventilator te reinigen, want deze kunnen de kunststof ventilatoronderdelen beschadigen!

Dompel de ventilator niet volledig onder in water, want hierdoor kan de ventilatormotor beschadigd raken.

Breng na het reinigen de motormontagering weer op zijn plaats en vergrendel hem door de veerklem



vast te zetten. Schakel de veiligheidsschakelaar weer in door hem op I te zetten.

Als het onderhoud aan de ventilator niet volgens bovenstaande voorschriften gebeurt, vervalt de productgarantie.

Garantie

Uw Fresh Intellivent ventilator is van de hoogst mogelijke kwaliteit.

Daarom bieden wij **5 jaar garantie** op fabricagefouten.



Dit geeft u als gebruiker meer gemoedsrust.

Voor de geldigheid van de garantie is een aankoopbewijs vereist en moet de ventilator:

- zijn gemonteerd en geïnstalleerd volgens de installatierichtlijnen in deze handleiding
- zijn onderhouden volgens de onderhoudsvoorschriften in deze handleiding
- zijn geïnstalleerd in een normale woonomgeving
- zijn aangesloten op een netspanning van 100-250 V
- mag hij niet zijn blootgesteld aan een blikseminslag of abnormale spanningspieken
- mag er niet mee zijn geknoeid
- zijn geïnstalleerd in een ruimte met beschermingsklasse IP44.
- mag hij niet zijn geïnstalleerd in een omgeving waar de temperatuur tot boven 50 °C kan stijgen.

Klachten met betrekking tot het product moeten aan het verkooppunt worden gericht.

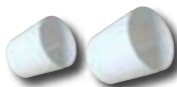
Recycling

Fresh AB is lid van REPA, wat betekent dat de opruimingskosten voor het product vooraf worden betaald. Afgedankte producten kunnen bij een lokaal recyclingpunt worden ingeleverd als elektronisch afval.

Accessoires

Er zijn een aantal accessoires verkrijgbaar voor Fresh Intellivent die u, de gebruiker, helpen het product zo vlot mogelijk te installeren. Hieronder worden enkele voorbeelden van accessoires gegeven.

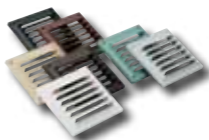
Pijp voor de afmetingen 100 en 125



Verloopring voor de afmetingen 100 en 125 voor kunststof roosters



Kunststof rooster voor de afmetingen 100 en 125



Metalen rooster voor de afmetingen 100 en 125



Overspanningsbeveiliging 100



Voor een optimale ventilatie moet u ervoor zorgen dat er voldoende lucht in de badkamer kan binnenkomen. Dit doet u door een opening te maken aan de onderkant van de deur of door een ventilatierooster te installeren in de deur of de wand.

Het is ook belangrijk dat er verse lucht in de woning binnenkomt, die vervolgens via bijvoorbeeld de badkamer of de waskamer wordt afgevoerd.

In dit geval is het een goed idee om ventilatieroosters te installeren in de slaapkamers en in de woonkamer.

De ventilator start niet

De ventilator is pas geïnstalleerd en is niet eerder gestart

- * Draai de ventilatorwaaier met de hand rond om te controleren of hij onbelemmerd draait.
- * Controleer de stand van de veiligheidsschakelaar. De schakelaar moet op I staan, de ingeschakelde stand.
- * Verwijder het afdekplaatje en onderbreek de stroomtoevoer naar de ventilator door de veiligheidsschakelaar op 0 te zetten. Zet de schakelaar vervolgens weer op I.
- * Controleer of er spanning is bij klemmenblok L. (Dit moet door een elektricien worden gedaan.)
- * Controleer of de nulleider goed is aangesloten door de spanning over L-N te meten. (Dit moet door een elektricien worden gedaan.)

Als de ventilator de opstartcyclus nog steeds niet uitvoert, d.w.z. dat de LED-lampjes achtereenvolgens gaan branden en de motor na korte tijd start, kunt u de ventilator retourneren op voorwaarde dat hij nog onder garantie is en u een aankoopbewijs hebt. Zie Garantie op pagina 114.

De ventilator is al enige tijd in gebruik

Draai de ventilatorwaaier met de hand rond om te controleren of hij onbelemmerd draait.

Verwijder het afdekplaatje en start de ventilator opnieuw door de veiligheidsschakelaar uit en weer aan te zetten. Laat de ventilator ongeveer 3 seconden uitgeschakeld voordat u hem weer inschakelt.

Als de LED-lampjes achtereenvolgens gaan branden maar de motor niet start, dan kunt u de ventilator retourneren op voorwaarde dat hij nog onder garantie is en u een aankoopbewijs hebt. Zie Garantie op pagina 114.

De ventilator is gereinigd

Draai de ventilatorwaaier met de hand rond om te controleren of hij onbelemmerd draait. Controleer de stand van de veiligheidsschakelaar. De schakelaar moet op I staan, de ingeschakelde stand.

De ventilator werkt continu**Het rode lampje brandt constant**

(Als de ventilator continu heeft gewerkt gedurende minstens 24 uur)

Controleer de werking door de badkamerdeur te openen en minstens een half uur te laten openstaan om de vochtigheid op een gelijk niveau te brengen.

Verwijder het afdekplaatje en onderbreek de stroomtoevoer naar de ventilator door de veiligheidsschakelaar op 0 te zetten. Zet de schakelaar vervolgens weer op I.

Het groene lampje brandt constant

Controleer of de ventilator niet is ingesteld voor continu bedrijf. (Dit moet door een elektricien worden gedaan.)

Als de ventilator op een externe schakelaar is aangesloten voor de bediening van de timer, schakelt u deze uit en wacht u minstens 30 minuten.

Verwijder het afdekplaatje en onderbreek de stroomtoevoer naar de ventilator door de veiligheidsschakelaar op 0 te zetten. Zet de schakelaar vervolgens weer op I.

Er branden geen lampjes

Verwijder het afdekplaatje en onderbreek de stroomtoevoer naar de ventilator door de veiligheidsschakelaar op 0 te zetten. Zet de schakelaar vervolgens weer op I.

Als de ventilator nog steeds continu werkt, dan kunt u de ventilator retourneren op voorwaarde dat hij nog onder garantie is en u een aankoopbewijs hebt. Zie Garantie op pagina 114.

Andere storingen

De ventilator stopt wanneer het licht wordt uitgeschakeld

De ventilator is verkeerd geïnstalleerd. Klem L op het klemmenblok moet altijd directe fase hebben.

Neem contact op met uw elektricien.

De ventilator werkt niet zoals beschreven

Verwijder het afdekplaatje en onderbreek de stroomtoevoer naar de ventilator door de veiligheidsschakelaar op 0 te zetten. Zet de schakelaar vervolgens weer op I (ingeschakeld).

Als de ventilator nog steeds niet werkt zoals in deze handleiding wordt beschreven, neem dan contact op met het verkooppunt of stuur een e-mail naar Fresh op: intellivent@fresh.se.

A

Aansluitschema's	p. 97
Aansluitingen - aansluiting	p. 97
Accessoires	p. 115
Afmetingen	p. 116

B

Badkamerlicht - aansluiting	p. 97
Bedieningspaneel	p. 101, 110
Beluchtingsfunctie	p. 104

C

Constance lage snelheid	p. 98, 107
-------------------------	------------

E

Energieverbruik, technische gegevens	p. 104, 116
--------------------------------------	-------------

F

Functiebeschrijving - beschrijving	p. 98, 102
------------------------------------	------------

G

Garantie	p. 114
Geschakelde fase - aansluiting	p. 97

I

Inhoud - verpakking	p. 96
Inleiding	p. 94
Installatie	p. 96
Installatie	p. 97
Installatieafmetingen	p. 116
Interval, pauzefunctie	p. 106

K

Kabelingangen	p. 97
Korte functiebeschrijving	p. 98

L

LED-lampje, bedieningspaneel	p. 101, 111
Lage snelheid	p. 98, 107

M

Momentschakelaar p. 98, 108

Montageafmetingen p. 96

N

Netspanning - technische gegevens p. 116

O

Onderhoud p. 112

Oplossen van problemen p. 117

P

Problemen - oplossen van problemen p. 117

R

Reiniging, reinigbaarheid p. 103, 112

Relatieve vochtigheid - automatisch
vochtdetectiesysteem p. 106

S

Snelheid p. 98, 107

Snelheidsregeling p. 108

T

Technische gegevens p. 116

Timer - beschrijving p. 107

Trekkoord p. 98, 100,
107

Trekkoordschakelaar p. 98, 100,
107

U

Uitsparing - montageplaatje p. 99

V

Verpakking, inhoud p. 96

Vochtigheidsregeling - beschrijving p. 106

SWEDISH
DESIGN &
QUALITY

INTELLIVENT
PATENT PENDING

Patent SE0900203-1

TIMER

5

15

30

HUMIDITY MODE

SILENT

FRESH AB

Box 7
SE-360 32 GEMLA
SWEDEN

Phone +46 (0) 470-70 77 00
Fax +46 (0) 470-70 77 39

E-mail info@fresh.se
Web www.fresh.se

AD: Kjell-Olof Askencrantz • Product manager: Tomas Söréke
Copyright © Fresh AB 2009 • All rights reserved.

Fresh® and the Fresh® logotype are trademarks or registered trademarks of Fresh AB in Sweden and/ or other countries. Intellivent® is a trademark or registered trademark of Fresh AB in Sweden and/ or other countries. Patent SE0900203-1.

Art. nr. 008492 • Intellivent Edition EU-N 2010-3