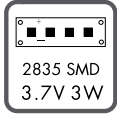
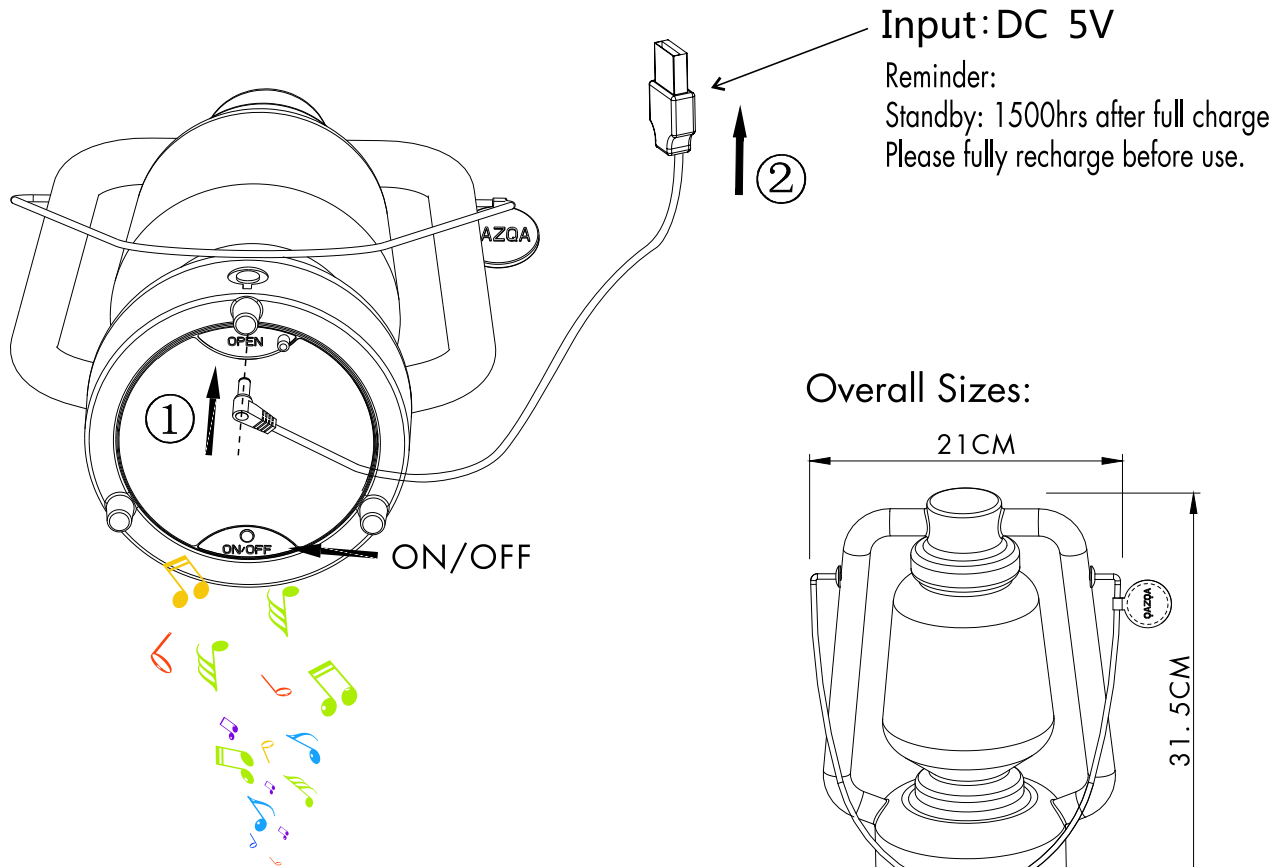


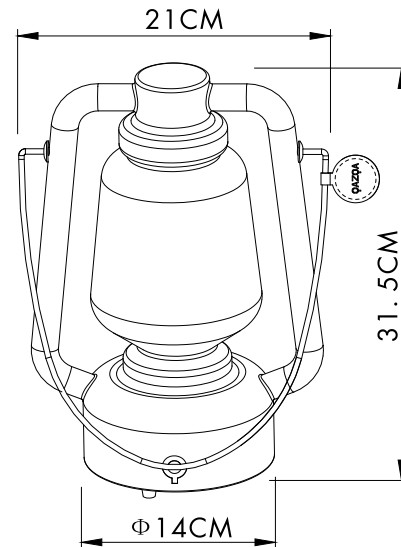
INSTRUCTION MANUAL



Storm Music TL White
103827



Overall Sizes:



Dim by switch, has four different light modes
Flame effect - 50% - 75% - 100%
Press and hold the switch for 3 seconds
turn on and turn off the light

This item contains
unchangeable LED

40	LM
3.0	W
1900 and 2700	K
>80	CRI
30000	H
15000	ON/OFF

Specifications

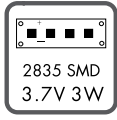
Material	Plastic casing (PE housing, ABS base), iron handle, PU label
Charging	Supplied with 150cm USB cable
Weight	0.85 KG
Overall size	Height 31,5cm, width 21cm, depth 14cm
Base size	dia. 14cm
Battery capacity	3.7V 2000mAh 7.4wh
Speaker	3' speaker (5W)
Battery time	10 hours at 100%
Lumen	40 Lumen
Water resistant	Yes, IP44

FittinQ B.V.

Smaragdweg 52, 5527 LB Hapert, The Netherlands
www.qazqa.nl

QAZQA

INSTRUCTION MANUAL

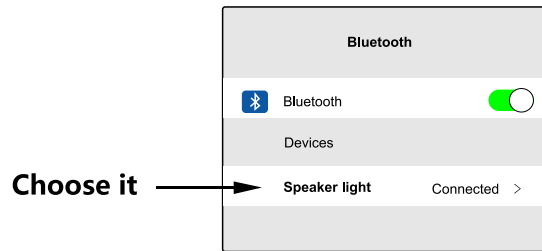


Storm Music TL White

103827

CONNECTING A WIRELESS COMPATIBLE DEVLCE

When the Speaker is working (Press “ON/OFF “ at the bottom of the product to turn on the speaker), activate wireless function of the mobile phone and select “**Speaker light**” to connect. Up in connection the light speaker will sound: pair successfully.



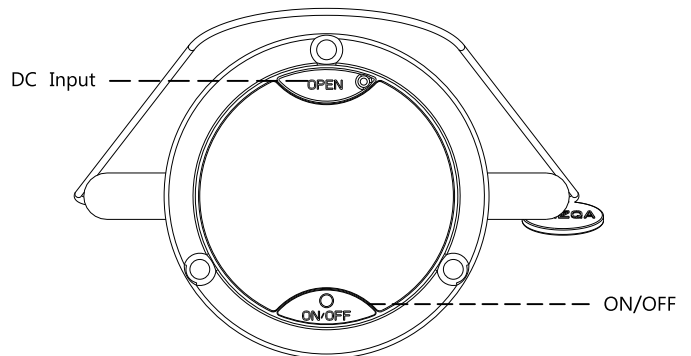
REMARK:

1. Wireless disconnect prompt note: disconnected
2. Volume maximum note: The unit should "beep" once, flexible volume control in on wireless compatible device
3. Low electric hint sound: low battery
4. 3.3V low power indication, detection has been in low power state, prompt every 3 minutes, continuous prompt 3 times after shutdown.
5. One wireless compatible device can only connect to one unit each time. But if 2 units are very close (less than 3 meters), it might happen that one unit turn into a mainframe, the other one will connect to it, then both of the units will synchronize the music and light.
6. The unit will default to automatically connect to the last wireless device. If other device wants to connect to the unit, the original device is required to disconnect.
7. One special condition, if the compatible device is in Apple.'s IOS system, if there's more than 2 units nearby, the Bluetooth function can show 2 “**Speaker light**”. However, IOS will automatically switch to the most lately connected unit.

Operation by ON/ OFF button underneath of the unit

In the status of shutdown, press ON/OFF button to turn on the speaker and light. at the same time we can hear voice : “POWER ON” and the light is candle light. Activate wireless function and select “**Speaker light**” to connect.

1. Press “ON/OFF” again and the light color is: 50% warm light,
2. Press “ON/OFF” again and the light color is: 75% warm light,
3. Press “ON/OFF” again and the light color is: 100% warm light,
4. Press “ON/OFF” again and the light color is: candle light,
5. Press and hold “ON/OFF” for 2 seconds. Will turn off the unit.




FittinQ B.V.

Smaragdweg 52, 5527 LB Hapert, The Netherlands
www.qazqa.nl

QAZQA

SAFETY INSTRUCTION

Please study the instruction manual and below information carefully before installing or using this product.
Please keep this user manual for further reference

1. The luminaires may only be installed by authorized and qualified technicians according the valid regulations for electrical installation.
2. Maintenance of the luminaires is limited to their surfaces. During maintenance no moisture can come into contact with any areas of the terminal connections or voltage control parts.
3. The electrical supply must be switched off at the outset, preferably by means of a switch in the distribution box, before any installation, maintenance or repair work is undertaken.
4. Exterior lighting must not be installed during rain.
5. Take account of the minimal separation distance from other objects and the room required around the fitting.
6. If in any doubt, consult a professional, taking local installation requirements into account. Some countries stipulate that lighting may be installed only by registered installers.
7. Clamping screws in electrical connections must be adequately tightened. This is particularly the case with 12V low voltage conductors.
8. When replacing a halogen lamp, wait for it to cool, for a minimum of 5 minutes.
9. Clean with a clean, dry cloth or brush, use no solvents or abrasives. Avoid dampness on all electrical components
10. Take account of all available technical information.
11. Take note of the symbols when connecting wires:
N = Neutral **L** = Live  = Earth
12. Meaning of symbols:



For indoor use only, where direct contact with water is impossible



This icon indicates the level of water-proof and dust-proof



Protection Class I: the fitting must be earthed



Protection Class II: the fitting is doubled insulated and does not require earthing



Protection Class III: the fitting is low voltage



Minimum distance from lighted objects (meters)



Only the self-shielded halogen lamp should be used with the luminaire



Strip the wire to the indicated length (mm); different items require different length



Connect using the specified cable; different items require different cables



The type of lamp and maximum size and wattage indicated in each lighting unit must not be exceed; different items require different kind of light sources with different bulb icons



The armature is designed to work only with the indicated voltage. Different items require different working voltage.



The luminaire can be used in combination with a dimmer



The reference light angle and light space of the luminaire



This luminaire cannot be disposed together with normal domestic waste in standard rubbish can, but you have to bring it to a staging area for electrical waste

