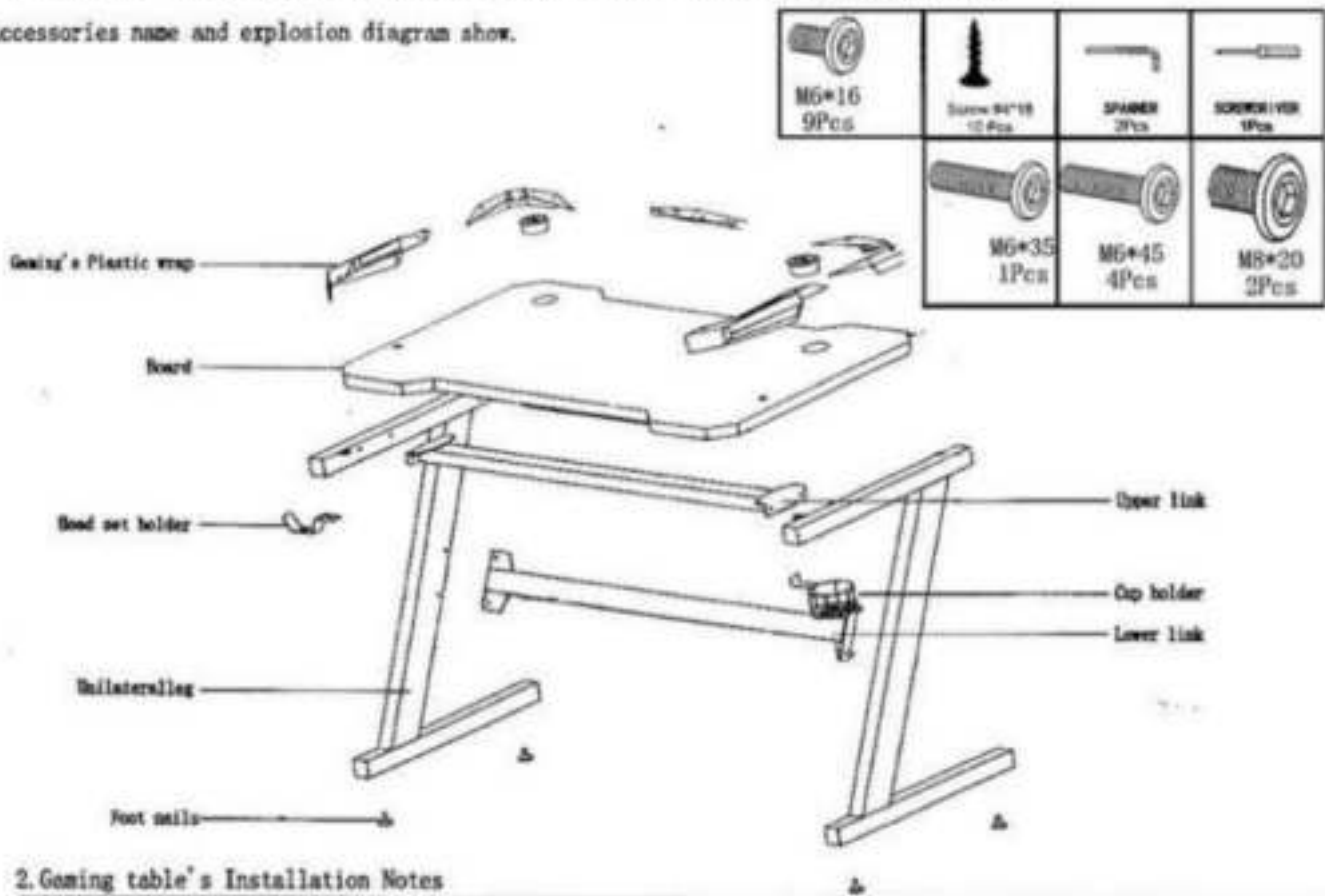


Humanized machine engineering disciplines of gaming table's instructions

Accessories name and explosion diagram show.



2. Gaming table's Installation Notes

1. As the picture shows:use the (M6*16 hexagon)screw to install the upper link and the round tube with the leather case.
Note:to install the Upper link,first put the Round tube with holster to insert corresponding hole,and then screw the connecting rod screws.

2. As the picture shows:use the(M6*16 hexagon)screw to install the Lower link and then paste the holster to the Lower link.

