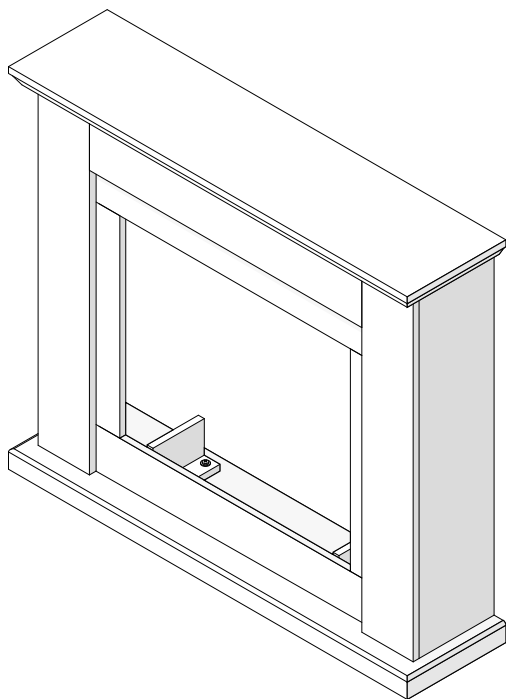


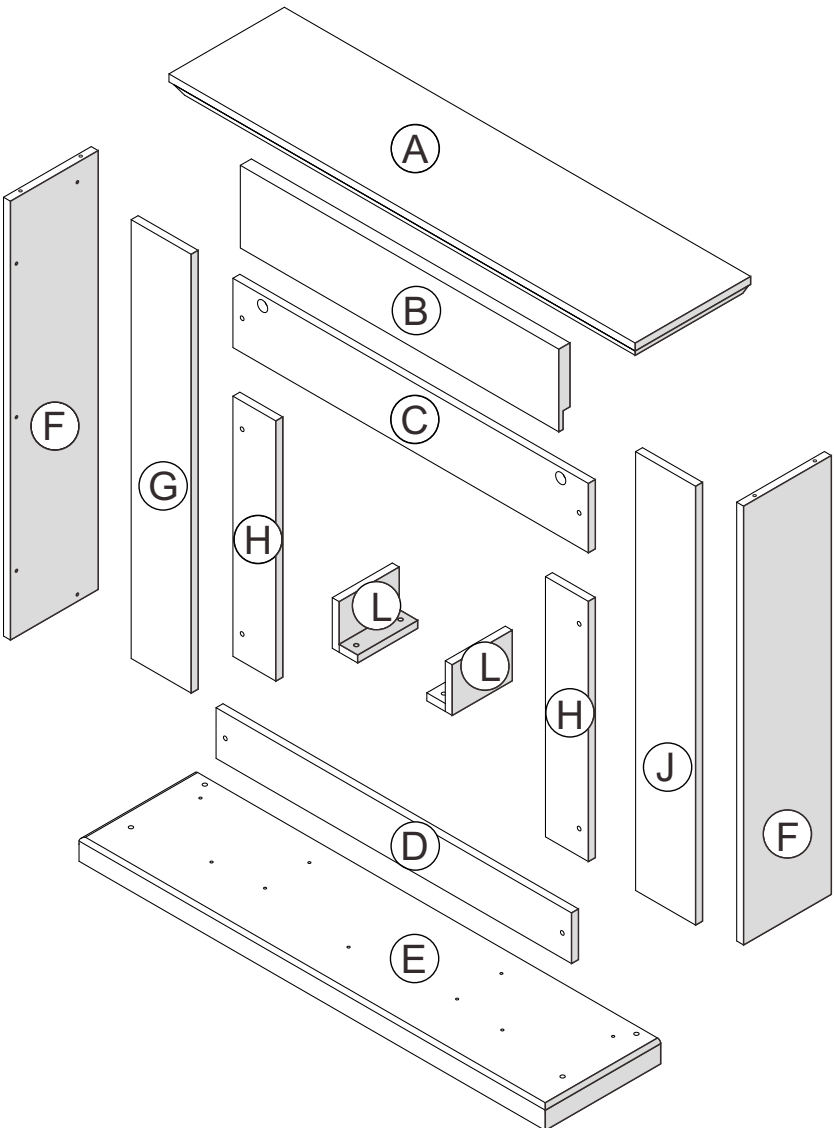
# FIREPLACE MANTEL

ASSEMBLY INSTRUCTIONS

**MT321B**



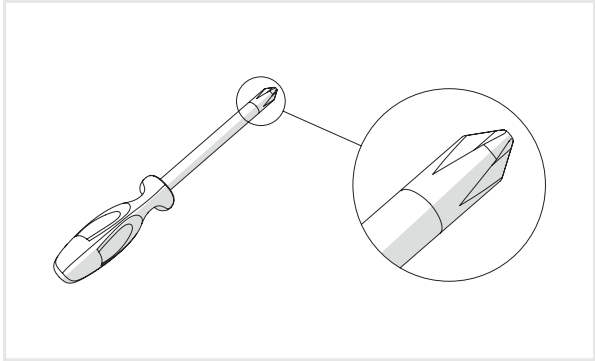
# PARTS LIST


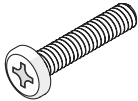
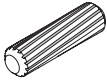

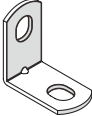
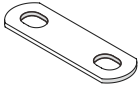



# PARTS AND ACCESSORIES

## Tools required:

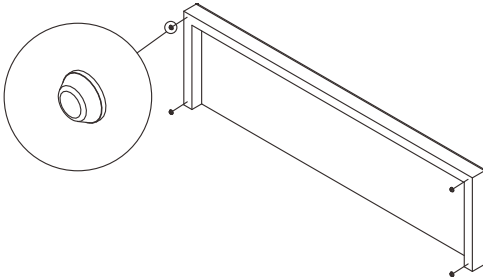
A screwdriver will be needed.



|  |  |   |
|--|--|---|
| <br><b>41x</b><br>M6x12mm | <br><b>13x</b><br>M6x28mm | <br><b>13x</b><br>ø 8x30mm |
| <br><b>13x</b>          | <br><b>19x</b>          | <br><b>3x</b>            |
| <br><b>6 x</b>          |  |   |

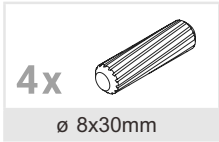
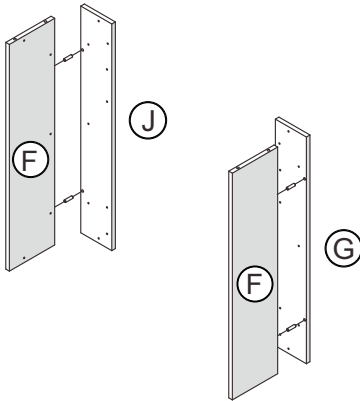
# ASSEMBLY INSTRUCTIONS

## 01



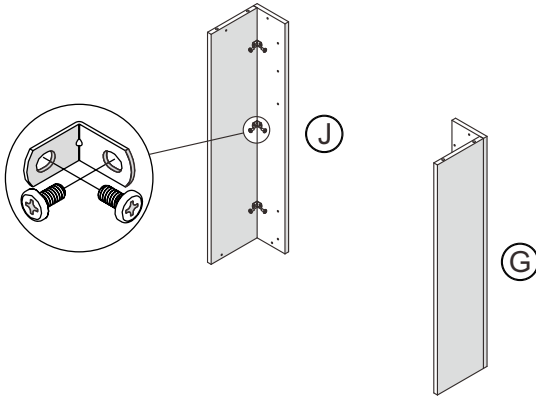
Carry out this assembly step on both sides


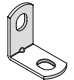
## 02



Carry out this assembly step on both sides

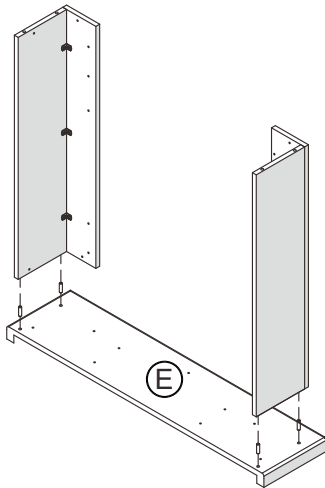
# 03

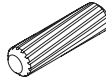


|            |   |
|------------|---|
| <b>12x</b> |  |
| M6x12mm    |   |
| <b>6x</b>  |  |

Carry out this assembly step on both sides

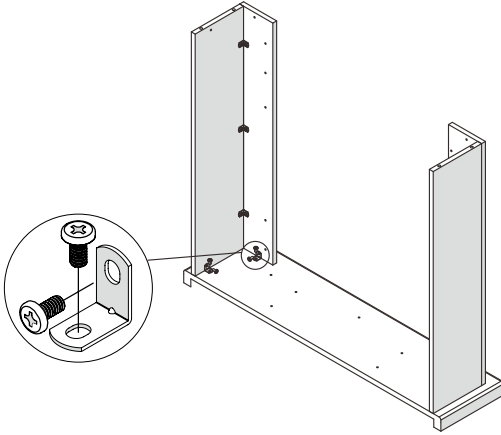
# 04



|           |   |
|-----------|---|
| <b>4x</b> |  |
| ø 8x30mm  |   |

Carry out this assembly step on both sides

# 05



8x



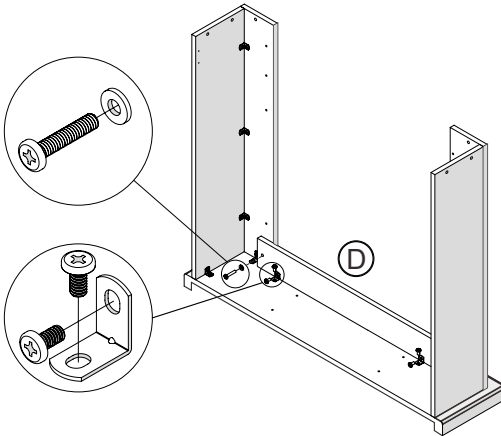
M6x12mm

4x



Carry out this assembly step on both sides

# 06



4x



M6x12mm

2x



2x



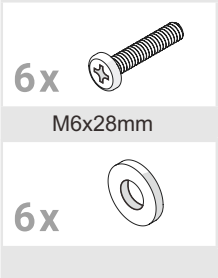
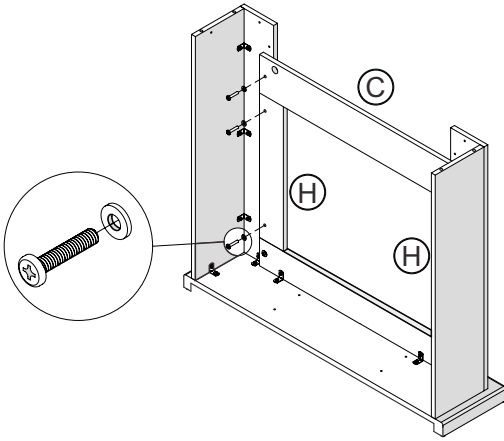
M6x28mm

2x



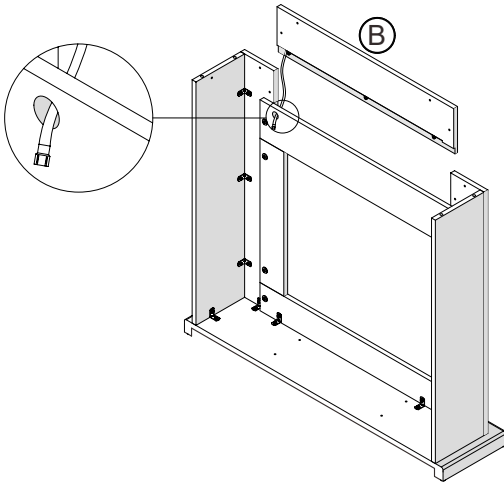
Carry out this assembly step on both sides

# 07

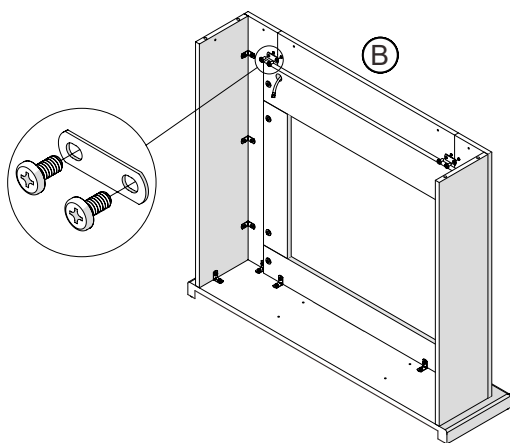


Carry out this assembly step on both sides

# 08



# 09

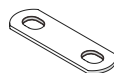


4x



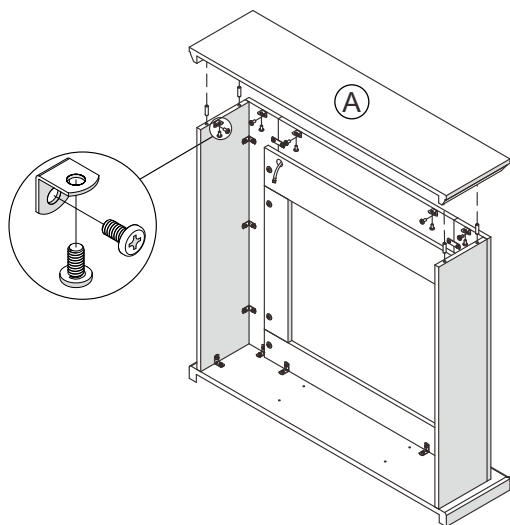
M6x12mm

2x



Carry out this assembly step on both sides

# 10



12x



M6x12mm

6x



4x

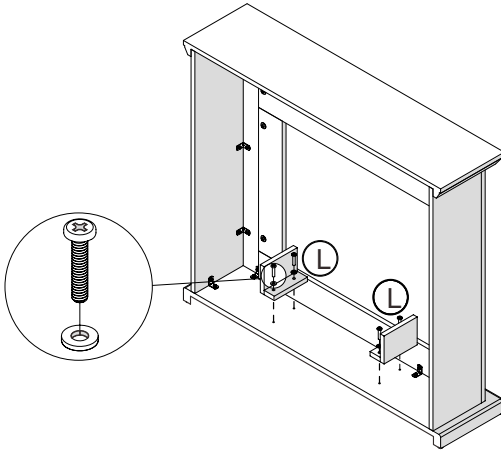


∅ 8x30mm

Carry out this assembly step on both sides



11



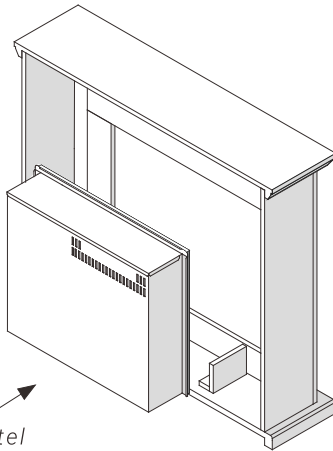
4x

M6x28mm

4x

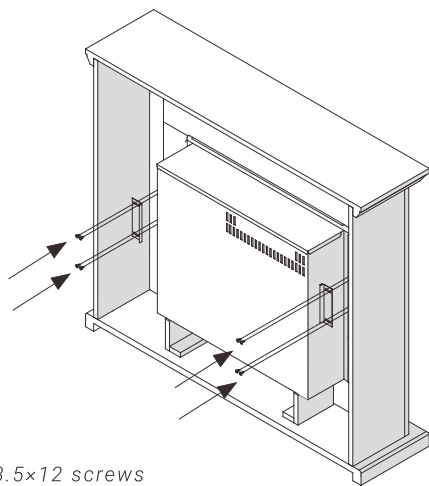


12



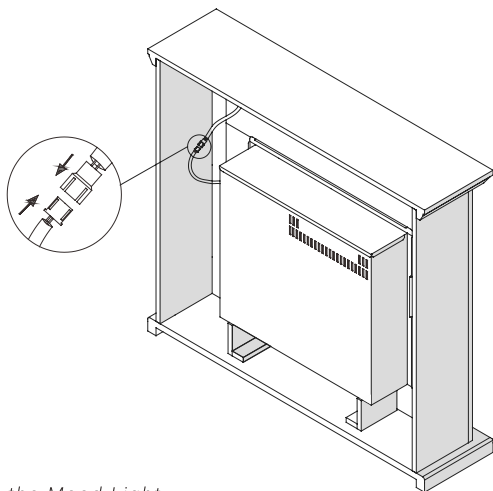
*Rear side of the mantel*

13



Use 8 pcs ST3.5×12 screws

14



Connect the Mood Light