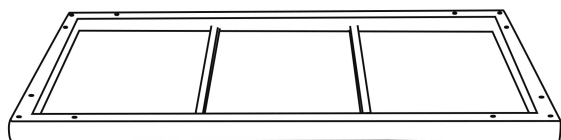
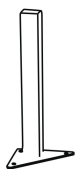


A x1



80x50cm

B x4



8x27cm

C x12



M6*15mm

D x12

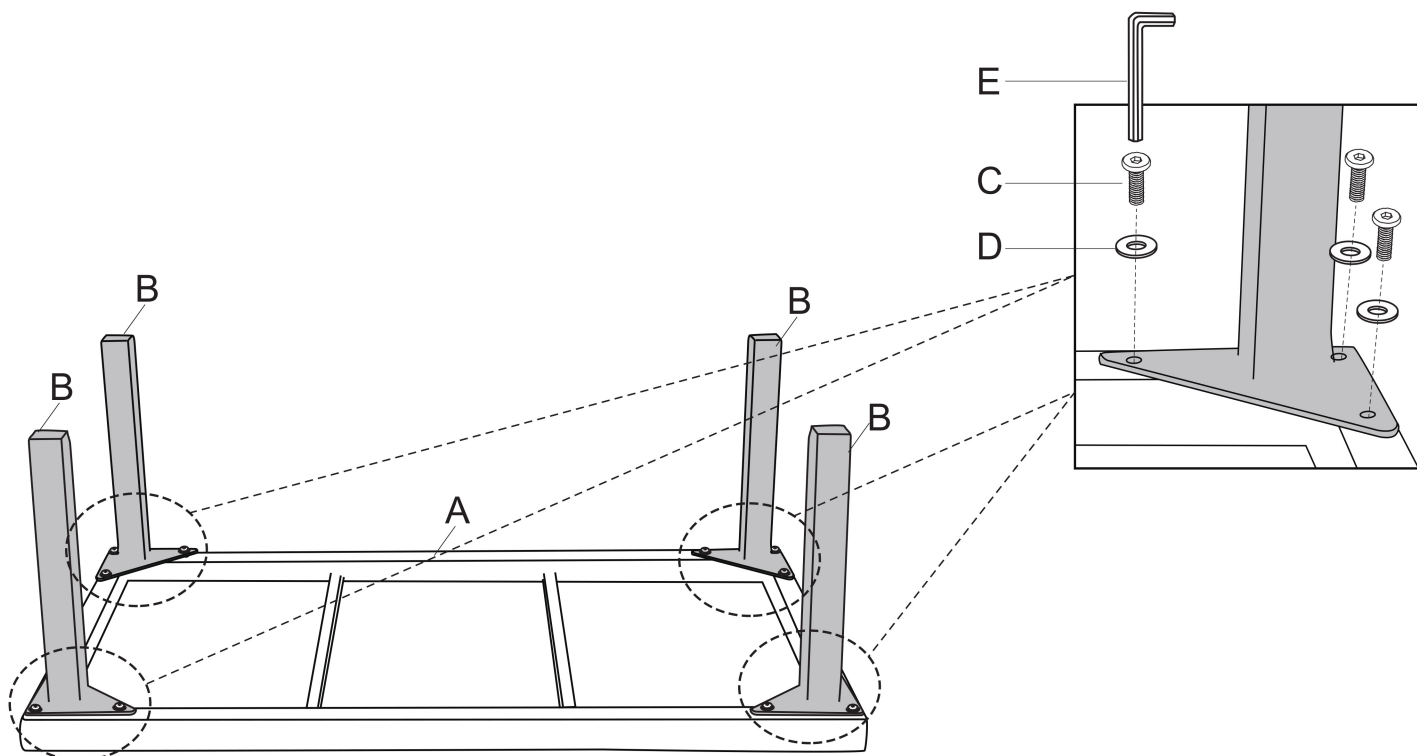


$\phi 6.5 * 1.0 * \phi 13 \text{mm}$

E x1



1



2

