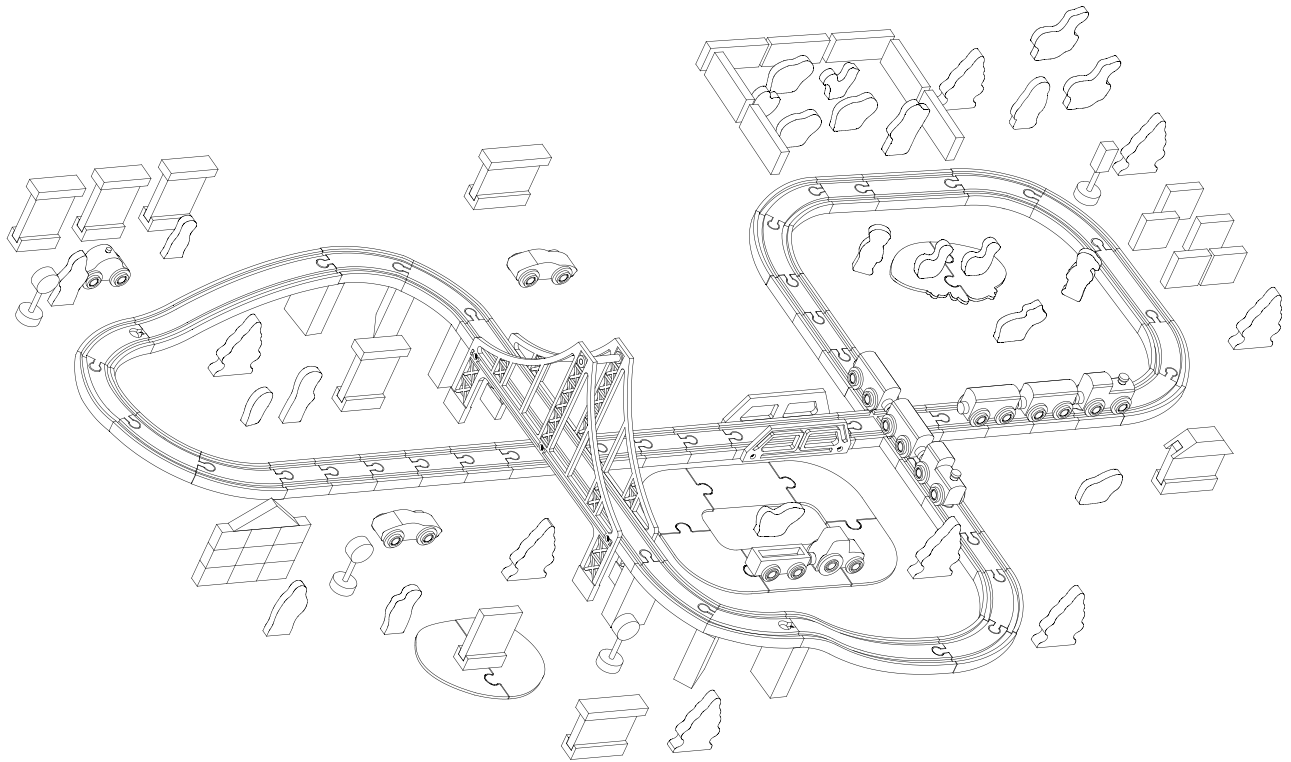
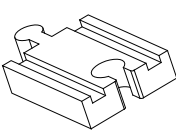
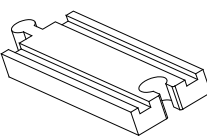
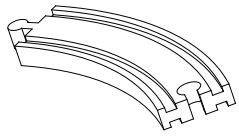
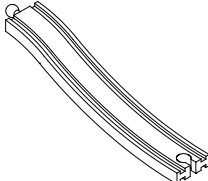
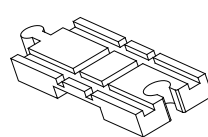
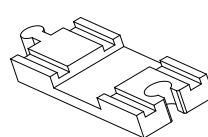
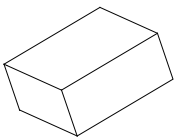
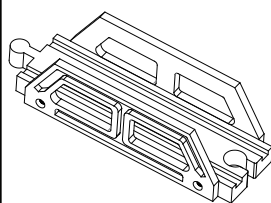
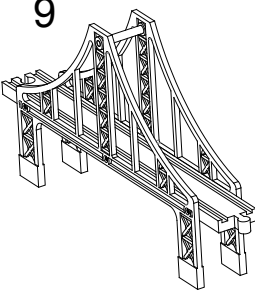
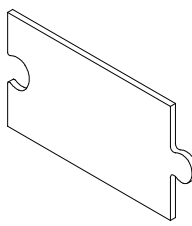
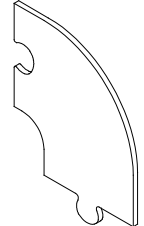
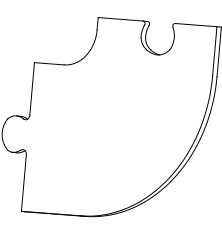

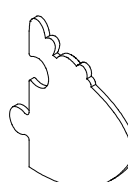

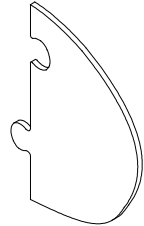
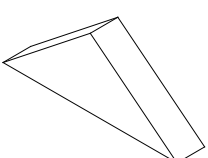
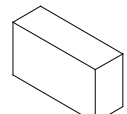
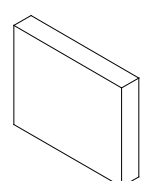
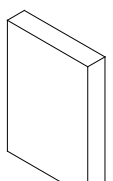
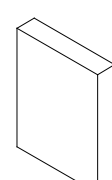
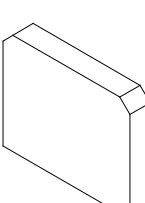
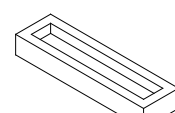
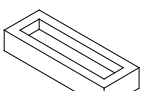
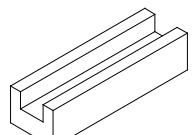


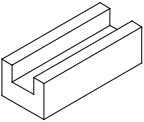
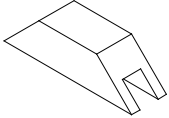

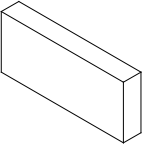
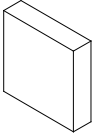
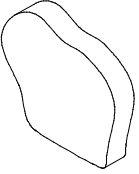
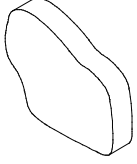
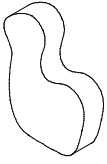

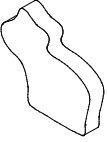
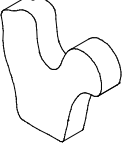
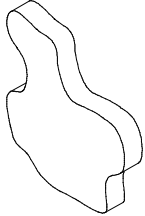
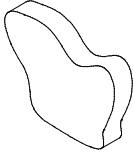










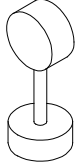
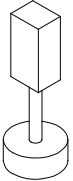
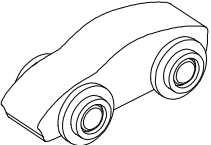
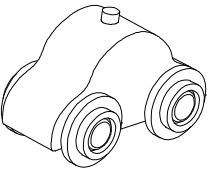
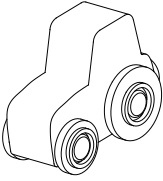
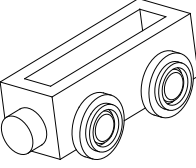
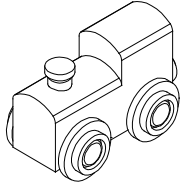
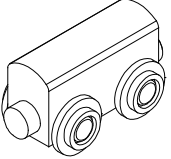


150 Piece Train Set

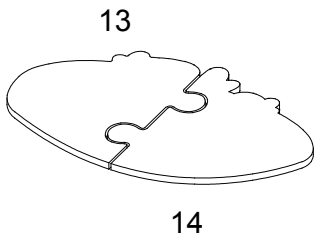


bopster.co.uk

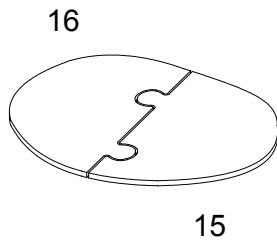
<p>1</p>  <p>x19</p>	<p>2</p>  <p>x3</p>	<p>3</p>  <p>x16</p>	<p>4</p>  <p>x2</p>	<p>5</p>  <p>x1</p>
<p>6</p>  <p>x1</p>	<p>7</p>  <p>x6</p>	<p>8</p>  <p>x1</p>	<p>9</p>  <p>x1</p>	<p>10</p>  <p>x2</p>
<p>11</p>  <p>x2</p>	<p>12</p>  <p>x2</p>	<p>13</p>  <p>x1</p>	<p>14</p>  <p>x1</p>	<p>15</p>  <p>x1</p>
<p>16</p>  <p>x1</p>	<p>17</p>  <p>x1</p>	<p>18</p>  <p>x9</p>	<p>19</p>  <p>63.5x50x10mm x2</p>	<p>20</p>  <p>46.5x66.5x10mm x4</p>
<p>21</p>  <p>47x60x10mm x1</p>	<p>22</p>  <p>x1</p>	<p>23</p>  <p>74x21x10.5mm x2</p>	<p>24</p>  <p>58x21x10.5mm x4</p>	<p>25</p>  <p>63x20x15mm x3</p>

<p>26</p>  <p>47x20x15mm x5</p>	<p>27</p>  <p>x1</p>	<p>28</p>  <p>x8</p>	<p>29</p>  <p>x7</p>	<p>30</p>  <p>x5</p>	
<p>31</p>  <p>x3</p>	<p>32</p>  <p>x1</p>	<p>33</p>  <p>x2</p>	<p>34</p>  <p>x1</p>	<p>35</p>  <p>x1</p>	
<p>36</p>  <p>x1</p>	<p>37</p>  <p>x2</p>	<p>38</p>  <p>x1</p>	<p>39</p>  <p>x1</p>	<p>40</p>  <p>x1</p>	
<p>41</p>  <p>x1</p>	<p>42</p>  <p>x1</p>	<p>43</p>  <p>x1</p>	<p>44</p>  <p>x1</p>	<p>45</p>  <p>x1</p>	
<p>46</p>  <p>x1</p>	<p>47</p>  <p>x1</p>	<p>48</p>  <p>x1</p>	<p>49</p>  <p>x3</p>	<p>50</p>  <p>x1</p>	
<p>51</p>  <p>x2</p>	<p>52</p>  <p>x1</p>	<p>53</p>  <p>x1</p>	<p>54</p>  <p>x1</p>	<p>55</p>  <p>x2</p>	<p>56</p>  <p>x4</p>

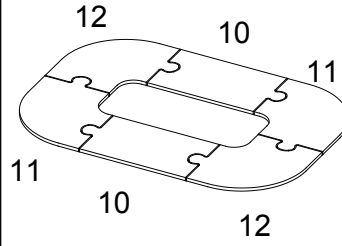
1



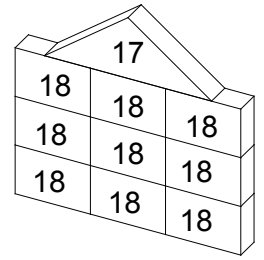
2



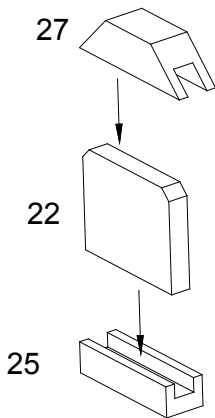
3



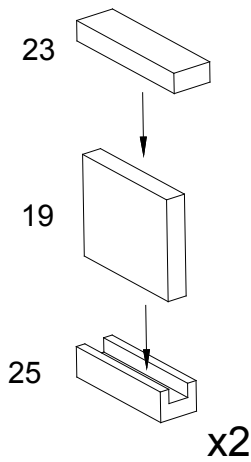
4



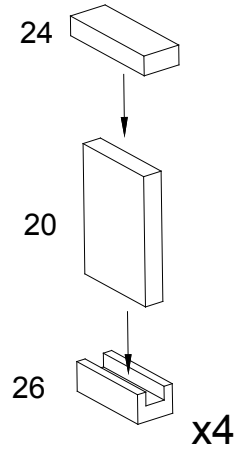
5



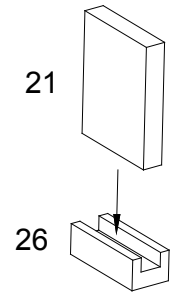
6



7



8



9

