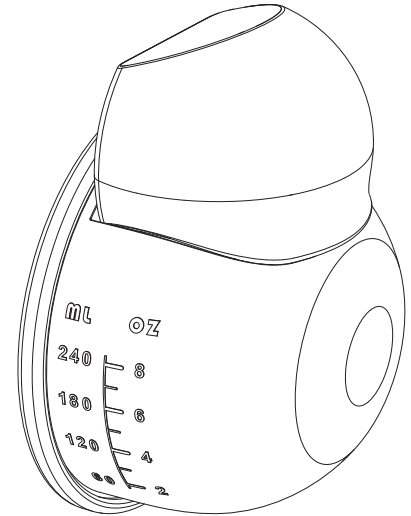


OPERATING INSTRUCTION

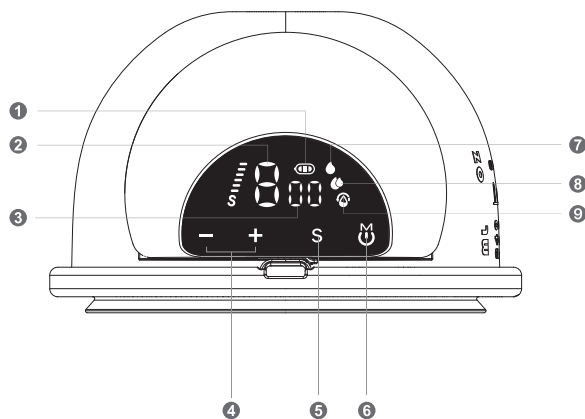
Blissy Baby



Catalog

Buttons and Functions	01
Components	02
Installation	03
Operating Mode	04
How to Use the Breast Pump	05
Attentions	06
Trouble shooting	07
Storage for Breast Milk	08
Disinfection Methods	09

Buttons and Functions



- | | |
|-------------------------------|-------------------------------|
| ❶ Battery Mark | ❸ ON-OFF Button / Mode Button |
| ❷ Suction Level | ❹ Message Mode |
| ❸ Working Time Display | ❺ Suction Mode |
| ❹ Suction Level Adjust Button | ❻ Milk Collection Mode |
| ❺ Speed Adjust Button | |

After sale warranty service card

Thanks for your choosing our products. For your interest, please keep your warranty card in safe. If you have any quality problems, please contact the dealer.

User name:	Product name:
User Tel:	Product model:
Purchased goods:	Purchase date :
Purchase address:	

Maintenance record:

Date	Maintenance content	Maintenance personnel	User signature

- ❶ On the premise that users operate according to this instructions, it got one year of free maintenance from the date of purchase. Please contact with the purchase department.
- ❷ We shall not provide free maintenance service for the following personal reasons that cause failures, such as :
 - A. Failures caused by disassembly or modification the product without permission.
 - B. Failures caused by beating or dropping during using or transporting.
 - C. Failures caused by lacking of proper maintenance
 - D. Failures caused by operations that is not in accordance with the instructions
 - E. Failures caused by the improper maintenance in the repair shops that is not authorized by our company.
- ❸ When require a free maintenance service, you must hold the purchase invoice and the warranty card.
- ❹ Maintenance services beyond the warranty scope will be charged according to the regulations.

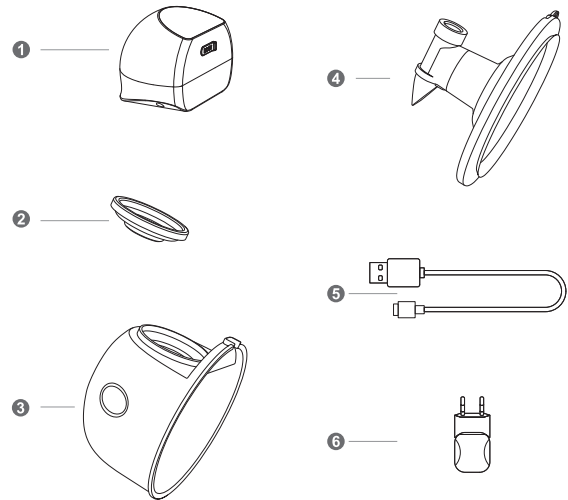
Disinfection Methods

⚠ Note: The breast pump motor and the power adapter can't be disinfected and cleared with water.

Please refer to following methods for how to disinfect the accessories.

- 1 Keep everything that comes in contact with your pump clean, hands included. Before you start pumping or cleaning your pump, make sure your hands are spic-and-span. Wash them in warm soap and water, scrubbing for at least 20 seconds before rinsing. Do this each time you handle your pump. Then wipe down the counter tops or any other surfaces that will be in contact with it, and use a fresh towel or paper towel each time you wipe down or dry it.
- 2 Inspect your pump every time you use it. Take apart your breast pump before each use to make sure that no mold has formed on any of the tubing, bottles or other parts. If you see something suspect, replace the part as soon as you can before using the pump again. Keep a spare set of tubing and parts on hand in the event that a piece needs to be replaced in a pinch. Mold is really hard to clean and remove, so it's best just to replace whatever it's found on.
- 3 **Microwave oven disinfection:** Please use disinfecting container or bag when using a microwave oven for disfection. And there must have water in the container when heating.
- 4 **Disinfection by boiling water:** Put the components in boiling water to disinfect for 10 minutes. Please note that the water level should not lower than the components.

Components



1 Breast Pump machine

2 Silicone Diaphragm

3 Milk collection Cup(240ml)

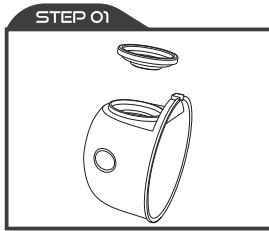
4 Silicone Funnel

5 USB Cable

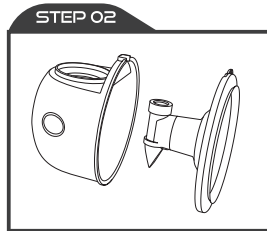
6 Adapter (Optional)

Installation

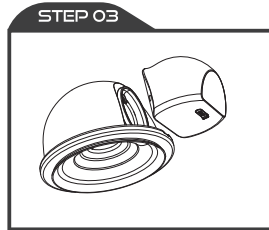
- !** Before assembling breast pump, please wash your hands first. And make sure to disinfect all parts before use.



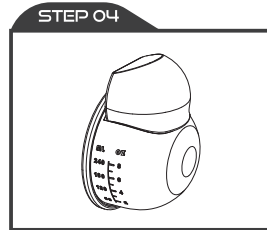
Install the silicone diaphragm on the milk collection cup



Install the silicone funnel into the milk collection cup



Install breast pump machine on the silicone diaphragm and make sure to press the machine tight



Installation is completed

Storage for Breast Milk

1 Storage

Freshly expressed breast milk can be stored in the back of the refrigerator for 3-5 days in clean conditions. However, it's optimal to use or freeze the milk within three days.

Freshly collected breast milk

! Do not store in room temperature



2-8°C
Store in the coldcloset for about 3-5days

OR



-18°C
Store in the coldcloset for about 3-5days

2 Thaw the oldest milk

Place the frozen container in the refrigerator the night before you intend to use it. You can also gently warm the milk by placing it under warm running water or in a bowl of warm water.

Don't heat a frozen bottle in the microwave or very quickly on the stove. Some parts of the milk might be too hot, and others cold.

! Attention:

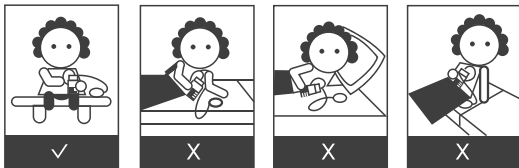
- If you want to keep the breast milk frozen, you should not fill the storage bag or bottle too full.
- Room temperature.** Freshly expressed breast milk can be kept at room temperature for up to six hours. However, it's optimal to use or properly store the breast milk within four hours, especially if the room is warm.
- Refrigerator.** Freshly expressed breast milk can be stored in the back of the refrigerator for 3-5 days in clean conditions. However, it's optimal to use or freeze the milk within three days.
- Insulated cooler.** Freshly expressed breast milk can be stored in an insulated cooler with ice packs for up to one day.
- Keep in mind that research suggests that the longer you store breast milk — whether in the refrigerator or in the freezer — the greater the loss of vitamin C in the milk.

Trouble shooting

⚠ The suction is too small or no suction

- 1 Check whether the milk collector and the silicone funnel is assembled correctly.
- 2 Check whether the silicone diaphragm is assembled correctly.
- 3 Check whether the accessory is dry, the function would be affected if there is water.
- 4 Check whether the accessory is broken.
- 5 Check whether there is something blocking the milk collector.

When the breast pump is working, you should sit upright. Do not lean forward because the breast milk would flow back.



If there is water left in the interior wall of the silicone diaphragm after cleaning, please dry it before use. Otherwise it will cause damage to the pump motor.

silicone diaphragm



Operating Mode

🔌 Operation in Power Supply

The breast pump can work by connecting to the power supply. Link the 5V DC plug of the adapter (Input: AC 100-240V and 50HZ, Output: DC5V and 1A) to the breast pump motor, and the other side of the adapter to the power jack. There is power mark on the boot-up screen when the breast pump is turn on. Unplug the adapter when the breast pump is not in use

🔋 Operation in Battery Mode

This breast pump can be operated with built-in Lithium battery. When the battery is fully charged, the battery mark is displayed on the LED screen. When the power mark starts flashing, please charge the breast pump in time. Do not connect the AC adapter with the pump motor when operating in the battery mode.

Warning: Improper use of the battery in this device may cause fire or chemical reaction. Do not disassemble the Lithium battery and avoid battery temperature exceeding 60 degrees.

How to Use the Breast Pump

⚠ Instruction

Please make sure that the breast pump components are thoroughly sterilized and properly assembled. Before use, please wash your hands and massage your breasts with towel, then sit upright and lean forward slightly. (Do not lie down or tilt the breast pump) so that the center of the horn silicone inside the milk collector is aligned with the nipple. Press it tightly on the breast to ensure no air gets in and the suction force is normal.

ON-OFF Button

Long press this button to turn on the machine, short press to change modes, and long press the button if you want to turn off the machine. Default Working Time: this machine will turn off automatically after working for 30 minutes.

Mode Button

There's three working modes, Massage mode, Suction mode and Milk Collection mode. All modes get 9 adjustable levels. When turn on machine default working mode is in level one of Massage mode, first press this button to turn to Suction mode, second press to Milk Collection mode and press again back to Massage mode.

Level Adjust Buttons

These two buttons are for Levels adjustable. From Level 1 to Level 4 of Lactation mode (massage mode), each level will work for 45s and jump to next level automatically. From Levels 5 to Level 9 you can adjust manually according to your comfort. The higher the level, the stronger the suction. Research shows that in the most comfortable situation, the sucking would be more effective.

Speed Adjust Button

This button is for speed adjustable. If working speed is not comfortable for you, you can press this button to change the speed for the most comfortable situation.

Attentions

- ❶ Please read the instructions carefully before use.
- ❷ Don't wash the breast pump motor in water or other liquids.
- ❸ Don't put the breast pump motor into steam sterilizer for disinfection.
- ❹ After disinfecting the milk collector, please dry the water on it before use.
- ❺ Please use the attached adapter instead of adapter from any other manufacturers to avoid damage to the breast pump motor.
- ❻ Using rechargeable batteries, please pay attention to the correct installation of the two poles, so as not to short circuit and cause a fire.
- ❼ If the AC adapter is damaged, please choose the same model adapter with same output voltage and current in our company or to maintain and replace the adapter by professionals.
- ❽ Dry your hands before operating the breast pump, so as to avoid any water get into the pump and cause damage.