






Operating and installation instructions Fridge-freezer



To avoid the risk of accidents or damage to the appliance it is **essential** to read these instructions before it is installed and used for the first time.

Contents

Warning and Safety instructions	5
Caring for the environment	14
Saving energy	15
Guide to the appliance	17
Control panel	17
Symbols	18
Accessories supplied	20
Optional accessories	21
Switching on and off	23
Before using for the first time	23
Cleaning the appliance	23
Operating the appliance	23
Switching on	23
Switching off	25
Switching off the refrigerator section separately	25
Switching the refrigerator section back on again	25
Switching off for longer periods of time	26
The correct temperature	27
... in the refrigerator section	27
... in the freezer section	27
Temperature display	28
Setting the temperature in the refrigerator / freezer sections	28
Using Super cool, Super freeze and Dynamic cooling	30
Super cool function	30
Super freeze function	31
DynaCool function	32
Temperature and door alarm	34
Temperature alarm	34
Switching the temperature alarm off early	34
Door alarm	35
Switching the door alarm off early	35
Selecting further settings	36
Safety lock 	36
Audible signals 	37
Display brightness 	38
Sabbath mode 	39
Filter replacement indicator 	41

Storing food in the refrigerator section	42
Different storage zones	42
Food which is not suitable for storage in the refrigerator section	43
Notes on buying food.....	44
Storing food correctly.....	44
Fruit and vegetable drawers.....	44
Protein-rich food.....	44
Adjusting the interior fittings	45
Adjusting the door shelf/bottle shelf	45
Moving the adjustable shelf/adjustable shelf with lighting.....	45
Adjusting the bottle rack	45
Moving and fitting the bottle holder	46
Removing and replacing the fruit and vegetable drawer.....	46
Replacing the drawer	46
Moving the charcoal filters	47
Freezing and storing food	48
Maximum freezing capacity	48
Freezing fresh food.....	48
Storing frozen food.....	48
Home freezing	49
Storage time for frozen food.....	51
Defrosting frozen goods	51
Cooling drinks quickly	52
Adjusting the interior fittings.....	52
Using accessories	52
Making ice cubes	53
Ice cube maker with integrated ice cube tray	53
Water container	54
Filling the water container	55
Switching the ice-cube maker on and off	55
Making a large amount of ice cubes	56
Changing the size of the ice cubes	56
Setting the water volume.....	56
Switching the ice cube maker on/off with the On/Off button.....	57
Defrosting	58
Cleaning and care	59
Cleaning agents.....	59
Rinsing the ice cube maker.....	60
Cleaning the ice-cube tray	62

Contents

Preparing the refrigeration appliance for cleaning	63
Cleaning the interior and accessories	65
Cleaning the door seal	66
Cleaning the ventilation gaps	66
After cleaning	67
Replacing the charcoal filters	67
Problem solving guide	69
Noises	81
Service	82
Contact in case of malfunction	82
Warranty	82
Information for dealers	83
Demo mode ■	83
Installation	85
Installation	85
Location	85
Ventilation	86
Furniture door panel	88
Before installing the appliance	89
Building-in dimensions	91
Limiting the opening angle of the appliance doors	92
Changing the door hinging	92
Installing the appliance	97
Fitting the furniture doors	105
Electrical connection	111

Warning and Safety instructions

This refrigeration appliance complies with current safety requirements. Inappropriate use can, however, lead to personal injury and material damage.

Please read the operating and installation instructions carefully before using the refrigeration appliance for the first time. They contain important information on safety, installation, use and maintenance. This is to protect yourself from injury, and from damaging your refrigeration appliance.

In accordance with standard IEC 60335-1, Miele expressly and strongly advises that you read and follow the instructions in the chapter on installing the appliance as well as the safety instructions and warnings.

Miele cannot be held liable for injury or damage caused by non-compliance with these instructions.

Keep these instructions in a safe place and pass them on to any future owner.

Correct application

- ▶ This refrigeration appliance is intended for use in the home and in similar environments, for example
 - in shops, offices and similar work settings
 - by the guests in hotels, motels, bed & breakfasts and other typical home settings.

This refrigeration appliance is not intended for outdoor use.

- ▶ This appliance is intended for domestic use only for cooling and storing food and drink as well as for storing deep frozen food, freezing fresh food and for making ice. Any other usage is not supported by the manufacturer and could be dangerous.

Warning and Safety instructions

▶ This refrigeration appliance is not suitable for storing and keeping cool medicines, blood plasma, laboratory preparations or similar substances or products that are subject to the the Medical Device Directive. Incorrect use of the refrigeration appliance for such purposes may cause deterioration of the items stored. The refrigeration appliance is also not suitable for use in areas where there is a risk of explosion.

Miele cannot be held liable for damage caused by improper or incorrect use or operation of the appliance.

▶ The appliance can only be used by people with reduced physical, sensory or mental capabilities, or lack of experience and knowledge, if they are supervised whilst using it, or have been shown how to use it in a safe way and recognise and understand the consequences of incorrect operation.

Safety with children

▶ Children under 8 years of age must be kept away from the refrigeration appliance unless they are constantly supervised.

▶ Children 8 years and older may only use the appliance unsupervised if they have been shown how to use it in a safe way and recognise and understand the consequences of incorrect operation.

▶ Children must not be allowed to clean or maintain the appliance unsupervised.

▶ Please supervise children in the vicinity of the appliance and do not let them play with it.

▶ Danger of suffocation! Whilst playing, children could become entangled in packaging (such as plastic wrapping) or pull it over their head and suffocate. Keep packaging material away from children.

Technical safety

▶ The coolant circuit has been checked for leaks. The refrigeration appliance complies with statutory safety requirements and the appropriate EU directives.



▶ This refrigeration appliance contains the coolant Isobutane (R600a), a natural gas which is environmentally friendly. The coolant does not damage the ozone layer and does not contribute to the greenhouse effect.

The use of this coolant has, however, led to a slight increase in the noise level of the appliance. In addition to the noise of the compressor, you might be able to hear the coolant flowing around the cooling circuit. Unfortunately, this cannot be avoided, but it does not affect the performance of the refrigeration appliance.

When transporting and installing the refrigeration appliance, ensure that no parts of the cooling circuit are damaged. Splashes of coolant can damage the eyes.

In the event of damage:

- Avoid naked flames or anything which creates a spark.
- Disconnect the refrigeration appliance from the mains electricity supply.
- Ventilate the room where the refrigeration appliance is located for several minutes.
- Contact the Miele Customer Service Department.

▶ The more coolant there is in a refrigeration appliance, the larger the room it should be installed in. In the event of a leakage, if the appliance is in a small room, there is the danger of combustible gases building up. For every 11 g of coolant at least 1 m³ of room space is required. The amount of coolant in the appliance is stated on the data plate inside the appliance.

Warning and Safety instructions

- ▶ To avoid the risk of damage to the appliance, make sure that the connection data (fuse rating, frequency and voltage) on the data plate corresponds to the household supply. Check that this is the case before connecting the appliance. Consult a qualified electrician if in any doubt.
- ▶ The electrical safety of this appliance can only be guaranteed when correctly earthed. It is essential that this standard safety requirement is met. If in any doubt please have the electrical installation tested by a qualified electrician.
- ▶ Reliable and safe operation of this appliance can only be assured if it has been connected to the mains electricity supply.
- ▶ If the electrical connection cable is faulty it must only be replaced by a Miele authorised service technician to protect the user from danger.
- ▶ Do not connect the appliance to the mains electrical supply by a multi-socket adapter or extension lead. These are a fire hazard and do not guarantee the required safety of the appliance.
- ▶ If moisture gets into electrical components or into the mains connection cable, it could cause a short circuit. Therefore, do not operate this refrigeration appliance in areas which are exposed to moisture (e.g in a garage or utility room).
- ▶ This appliance must not be used in a non-stationary location (e.g. on a ship).
- ▶ Do not use a damaged appliance. It could be dangerous. Check the appliance for visible signs of damage.
- ▶ For safety reasons, this appliance may only be used after it has been built in.
- ▶ The appliance must be isolated from the electricity supply during installation, maintenance and repair work.

Warning and Safety instructions

- ▶ Unauthorised installation, maintenance and repairs can cause considerable danger for the user. Installation, maintenance and repairs must only be carried out by a Miele authorised technician.
- ▶ While the appliance is under warranty, repairs should only be undertaken by a Miele authorised service technician. Otherwise the warranty is invalidated.
- ▶ Please note the following advice for ice cube production:
 - Only use cold, fresh tap water to fill the water container. Hot water and other liquids could damage the water container or the ice cube maker.
 - Change the water in the water container regularly (if not used for more than 24 h) and always empty and refill it before switching on the ice cube maker to ensure that the ice cubes are made with fresh water. This will prevent bacteria from building up.
 - Do not use water from a reverse osmosis unit in this appliance. This could damage the refrigeration appliance.
- ▶ Miele can only guarantee the safety of the appliance when genuine original Miele replacement parts are used. Faulty components must only be replaced by Miele spare parts.

Warning and Safety instructions

Correct use

- ▶ The appliance is designed for use within a certain climate range (ambient temperatures), and should not be used outside this range. The climate range for your appliance is stated on the data plate inside the appliance. Installing it in a room with too low an ambient temperature, e.g. a garage, will lead to the appliance switching off for longer periods so that it cannot maintain the required temperature.
- ▶ Do not cover or block the air vents as this could impair the efficiency of the appliance, increase the electricity consumption and could cause damage to the components.
- ▶ If storing food which contains a lot of fat or oil in the appliance or the door, make sure that it does not come into contact with plastic components as this could cause stress cracks or break the plastic.
- ▶ Risk of fire and explosion. Do not store explosive materials in the refrigeration appliance or any products containing propellants (e.g. spray cans). Electrical components can cause flammable mixes of gases to ignite.
- ▶ Danger of explosion. Do not operate any electrical equipment (e.g. an electric ice-cream maker) inside the refrigeration appliance. Danger of sparking and explosion.
- ▶ Do not store cans or bottles containing carbonated drinks or liquids which could freeze in the freezer. The cans or bottles could explode. Danger of injury and damage to the appliance.
- ▶ When cooling drinks quickly in the freezer, make sure bottles are not left in for more than one hour; otherwise they could burst, causing injury or damage.
- ▶ Danger of injury. Never handle frozen food or the metal parts of the appliance with wet hands. Your hands may freeze to the frozen food or to the metal.

Warning and Safety instructions

- ▶ Danger of injury. Do not take ice cubes out with your bare hands and never place ice cubes or ice lollies in your mouth straight from the freezer zone. The very low temperature of the frozen food can cause frost burn to the lips and tongue.
- ▶ Do not refreeze partially or fully defrosted food. Consume defrosted food as soon as possible, as it will lose its nutritional value and spoil if left for too long. Defrosted food may only be re-frozen after it has been cooked.
- ▶ Observe the manufacturer's "use-by" dates and storage instructions given on food to avoid the risk of food poisoning. Storage times will depend on several factors, including the freshness and quality of the food, as well as the temperature at which it is stored.
- ▶ Only use genuine original Miele accessories and spare parts with this appliance. Using accessories or spare parts from other manufacturers will invalidate the warranty, and Miele cannot accept liability.

Warning and Safety instructions

Cleaning and care

- ▶ Do not use any oils or grease on the door seals, as these will cause the seals to deteriorate and become porous with time.
- ▶ Do not use a steam cleaning appliance to clean or defrost this appliance.
Steam could reach electrical components and cause a short circuit.
- ▶ Sharp edged or pointed objects will damage the evaporator, causing irreversible damage to the appliance. Do not use sharp edged or pointed objects to
 - remove frost and ice,
 - separate frozen foods or remove ice trays.
- ▶ Do not place electric heaters or candles in the appliance to defrost it. These can damage the plastic parts.
- ▶ Do not use defrosting sprays or de-icers, as they could contain substances which could damage the plastic parts or which might cause the build-up of gases and pose a danger to health.
- ▶ Rinse the ice cube maker and the water pipes:
 - before using for the first time,
 - if the ice cube maker has not been used for a long time,
 - regularly when in continuous use (at least once a month), to remove ice residues from the system (to avoid a blockage of the water supply) and
 - before switching the ice cube maker off for a long time.
- ▶ Rinse the ice cube maker by filling the water container with hand-hot drinking water only. Do not use hot or boiling water. Do not add any detergents such as washing-up liquid.

Transport

- ▶ Always transport the appliance in an upright position and in its original transport packaging to avoid damage in transit.
- ▶ Danger of injury and damage to the appliance. The refrigeration appliance is very heavy and must be transported by two people.

Disposal of your old appliance

- ▶ If your old refrigeration appliance has a door lock, destroy it. This will prevent the risk of children playing accidentally locking themselves in and endangering their lives.
- ▶ Splashes of coolant can damage the eyes. Be careful not to damage any part of the pipework whilst awaiting disposal, e.g. by
 - puncturing the coolant channels in the condenser,
 - bending any pipework, or
 - scratching the surface coating.

Symbol on the compressor (depending on model)

This information is only relevant for recycling. There is no risk during normal operation.



- ▶ The oil in the compressor can be fatal if swallowed or if it penetrates the airways.

Caring for the environment

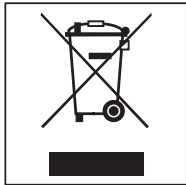
Disposal of the packing material

The packaging is designed to protect the appliance from damage during transportation. The packaging materials used are selected from materials which are environmentally friendly for disposal and should be recycled.

Recycling the packaging reduces the use of raw materials in the manufacturing process and also reduces the amount of waste in landfill sites.

Disposing of your old appliance

Electronic and electrical appliances contain many valuable materials. They also contain certain materials, compounds and components which were essential for their correct functioning and safety. These could be hazardous to your health and to the environment if disposed of with general waste or if handled incorrectly. Please do not, therefore, dispose of your old appliance with general waste.



Instead, please make use of officially designated collection and disposal points to dispose of and recycle electrical and electronic appliances in your local community, with your dealer or with Miele. By law, you are solely

responsible for deleting any personal data from the appliance prior to disposal.

Take care not to damage your refrigeration appliance's pipework before or during transportation to an authorised collection depot.

This is to ensure that coolant in the cooling circuit and oil in the compressor is contained, and will not leak into the environment.

Please ensure that your old appliance poses no risk to children while being stored prior to disposal. For further information, see "Warning and Safety instructions" in these operating and installation instructions.

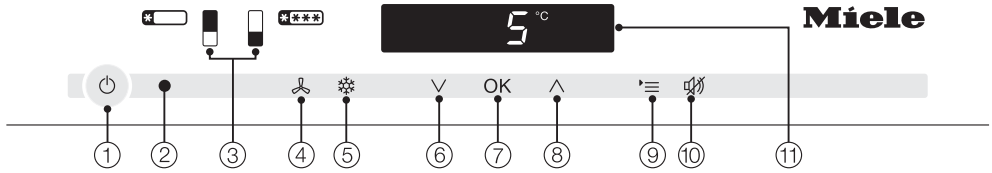
Saving energy

	Normal energy consumption	Increased energy consumption
Installation / Maintenance	In a ventilated room.	In an enclosed, unventilated room.
	Protected from direct sunlight.	In direct sunlight.
	Not near to a heat source (radiator, oven).	Near to a heat source (radiator, oven).
	Where the ideal ambient room temperature is approx. 20 °C.	Where the ambient room temperature is above 25 °C.
	Ventilation gaps uncovered and dusted regularly.	Ventilation gaps covered or dusty.
Temperature setting	Refrigerator section 4 to 5 °C	The lower the temperature, the higher the energy consumption.
	Freezer section -18 °C	

Saving energy

	Normal energy consumption	Increased energy consumption
Use	Drawers and shelves arranged as they were when the appliance was delivered.	
	Only open the door when necessary and for as short a time as possible. Store food in an organised way.	Frequent opening of doors for long periods will cause a loss of coldness. The appliance will try to cool down and the compressor will run for longer periods.
	Take an insulated cool bag when shopping, and load food in the appliance as soon as possible. Replace any food removed as quickly as possible, before it warms up too much. Allow hot food and drinks to cool down before placing them in the appliance.	Hot food or food at room temperature raises the temperature inside the appliance. The appliance will try to cool down and the compressor will run for longer periods.
	Store food well packaged or covered.	The evaporation or condensation of liquids in the refrigerator section will cause a loss of coldness.
	Place frozen food in the refrigerator to defrost.	
	Do not over-fill the appliance to allow air to circulate.	Poor air circulation will cause a loss of coldness.








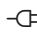


Control panel



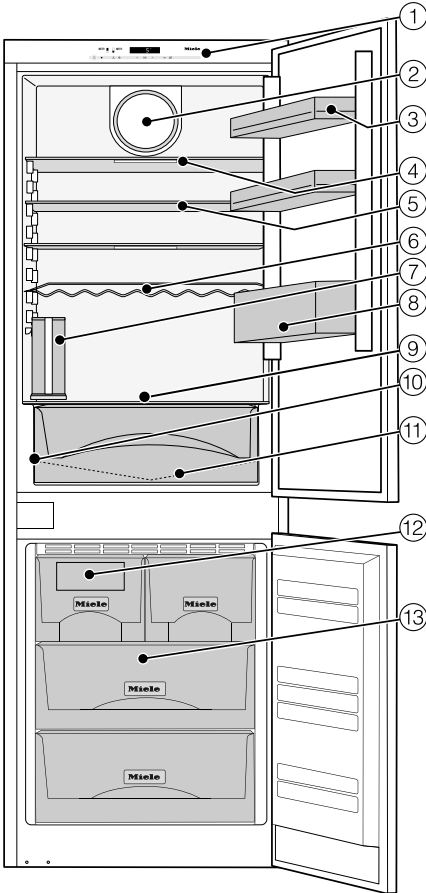
- ① On/Off sensor for the whole refrigeration appliance
- ② Optical interface (for Miele Customer Service Department only)
- ③ For selecting the refrigerator or freezer section
- ④ For switching the DynaCool function on and off (automatic temperature distribution)
- ⑤ For switching the SuperCool and SuperFreeze functions on and off
- ⑥ For setting the temperature (∨ = colder), selection sensor in settings mode
- ⑦ For confirming a selection (OK sensor)
- ⑧ For setting the temperature (^ = warmer), selection sensor in settings mode
- ⑨ For selecting and deselecting settings mode
- ⑩ For switching the temperature or door alarm off
- ⑪ Display with temperature and symbols (symbols only visible in settings mode, in the event of an alarm/message; see table for explanation of symbols)

Guide to the appliance

Symbols

Symbol	Meaning	Function
	Safety lock	Prevents the appliance being switched off, the temperature being altered, Dynamic cooling, Super cool and Super freeze being switched on and settings being altered by mistake.
	Ice cube maker	For switching the ice cube maker on and off; for setting the water volume; for rinsing the ice cube maker; for setting the cleaning position of the ice cube tray; flashes if there is a fault with the ice cube maker
	Audible tones	Choice of sensor tone and door and temperature alarm tone
	Miele@home	Only visible when a communication module or communication stick is fitted and signed on
	Display brightness settings	For adjusting the brightness of the display
	Charcoal filter replacement indicator (Active AirClean)	This function must be activated after fitting a charcoal filter; it lights up to remind you to replace it
	Sabbath mode	For switching Sabbath mode on and off
	Mains connection	Confirms that the appliance is connected to the electricity supply when it is not switched on; flashes in the event of a power cut
	Alarm (only visible when the door or temperature alarm sounds)	Lights up when there is a door alarm; flashes when there is a temperature alarm, power cut or other fault
	Demo mode (only visible when Demo mode is switched on)	For switching off Demo mode

Guide to the appliance

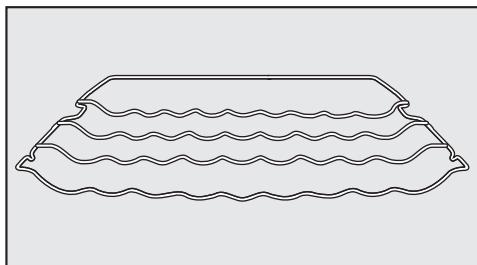


- ① Control panel
- ② Fan
- ③ Door shelf / Egg tray
- ④ Adjustable shelf with lighting (FlexiLight)
- ⑤ Adjustable shelf
- ⑥ Bottle rack
- ⑦ Water container
- ⑧ Bottle shelf
- ⑨ Condensate channel and drain hole
- ⑩ Interior lighting
Fruit and vegetable drawer
- ⑪ Fruit and vegetable drawer
- ⑫ Ice cube drawer with automatic ice cube maker
- ⑬ Freezer drawers

Guide to the appliance

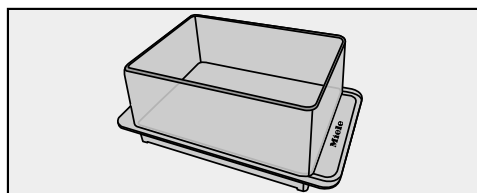
Accessories supplied

Bottle rack

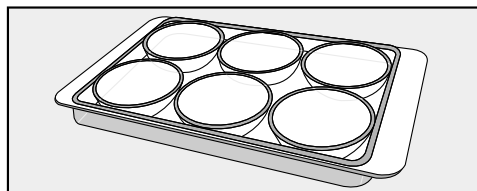


Bottles can be stored horizontally using the bottle rack to save space. The bottle rack can be placed at different positions in the appliance.

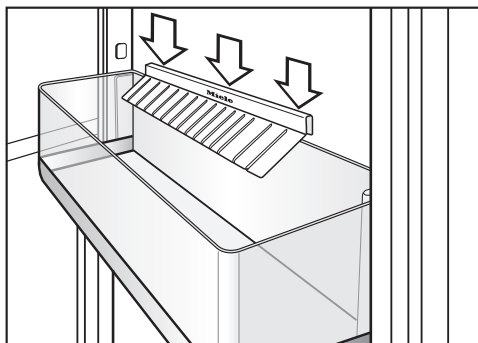
Butter dish



Egg tray

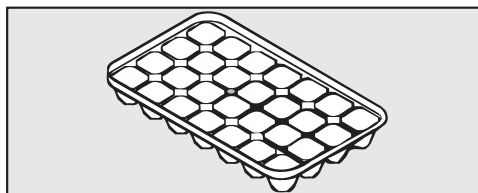


Bottle holder

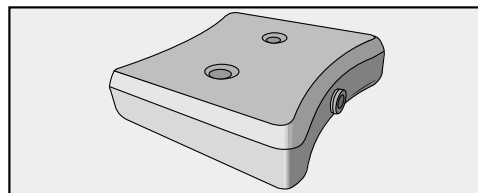


The flexible ribs grip the bottles securely when the door is opened and closed.

Ice cube tray



Cool pack



The cool pack prevents the temperature in the freezer section from rising too quickly in the event of a power cut. This can help prolong the storage life.

The cool pack will be at its most effective after it has been in the freezer for approx. 24 hours.

Optional accessories

A range of useful Miele accessories and care products are available for your appliance.

Accessories are available to order via the Miele Webshop, from Miele directly (see back cover for contact details) or from your Miele dealer.

Multi-purpose microfibre cloth

The microfibre cloth is suitable for removing fingerprints and light soiling from surfaces such as stainless steel, glass, plastic and chrome without the use of chemicals.

MicroCloth Kit

The MicroCloth Kit contains a universal cloth, a glass cloth and a polishing cloth.

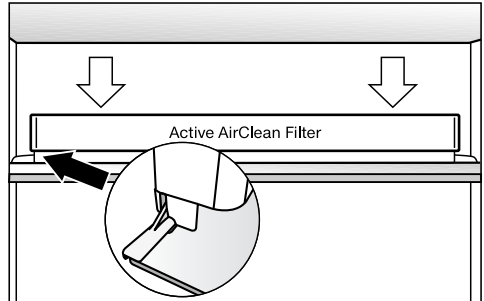
These cloths are extremely rip-proof and hard-wearing. Thanks to very fine microfibres these cloths achieve excellent cleaning results.

Bottle rack

The appliance is supplied with a bottle rack for the refrigerator section. Additional bottle racks can be fitted if required.

KKF-FF Active AirClean charcoal filters with holder

Charcoal filters neutralise unpleasant odours in the refrigerator section for improved air quality.



The charcoal filter holder clips onto the protective strip at the back of the shelf and can be moved as necessary.

Now activate the filter reminder in settings mode (see “Selecting further settings” - Filter replacement indicator 🌐).

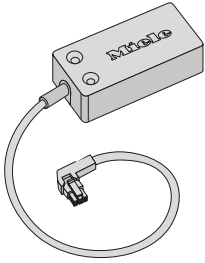
KKF-RF

Active AirClean replacement filters

Replacement filters to fit the Active AirClean holder are available. We recommend replacing the charcoal filters every 6 months.

Guide to the appliance

XKS 3130 W WiFi stick (Miele@home)



The WiFi stick enables your refrigeration appliance to communicate, so that you can access appliance data at any time with a smartphone or tablet (iOS® or Android™ operating systems).

To use the Miele@mobile app or Miele@home features, such as the option to switch on SuperCool/ SuperFreeze, you must insert the WiFi stick into your Miele refrigeration appliance and connect it to your WiFi network.

Fitting and installation instructions for the stick are supplied with it and describe how to install the WiFi stick and connect to a WiFi network.

Before using for the first time

Packaging material

- Remove all packaging material from the inside of the appliance.


Protective foil

The stainless-steel trim on the interior shelves and door shelves in the appliance has a layer of protective foil to prevent scratching in transit.

- Remove this protective foil once the appliance has been installed.

Cleaning the appliance

Please refer to the relevant instructions in “Cleaning and care”.

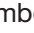
- Clean the inside of the appliance and the accessories.
- Clean the ice-cube maker: after selecting the “Rinse the ice-cube maker ” setting, the ice-cube maker and the water supply pipework will be rinsed automatically with water.

Operating the appliance

A light touch of the finger on the sensors is all that is required to operate this appliance.

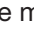
A tone will sound each time a sensor is touched. You can deactivate this, if you wish (see “Selecting further settings - Audible tones”).

Switching on

When the appliance is connected to the electrical supply, the mains connection symbol  will appear in the display after a short while.



- Touch the On/Off sensor.

The mains connection symbol  goes out and the appliance starts to cool down.


The sensor controls for the available cooling sections appear in the control field:




The refrigerator section sensor control is highlighted in yellow and the current temperature in the refrigerator appears in the display.

Switching on and off

When the refrigerator door is opened, the interior lighting comes on and the LED lighting on the adjustable shelves becomes brighter until it reaches its maximum brightness.

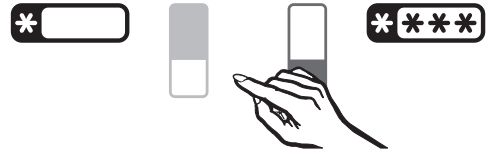
When the appliance is switched on for the first time, the sensor control for the freezer section and the alarm symbol  will flash until the set freezer temperature is reached.

When the set freezer temperature is reached, the sensor control for the freezer section lights up constantly and the alarm symbol  goes out.

To enable the temperature to get sufficiently cold inside the refrigeration appliance, allow the appliance to run for approx. 2 hours before placing food in it.

Do not place food in the freezer section until it has reached the required coldness (at least $-18\text{ }^{\circ}\text{C}$).

Individual settings can be set for each section.



- Touch the sensor control for the section you want to adjust the settings for.

The sensor control that has been selected is highlighted in yellow.

For the **refrigerator section**, the SuperCool and DynaCool functions can be selected or the temperature can be adjusted.

For the **freezer section**, the SuperFreeze function can be selected or the temperature can be adjusted.


Please refer to the relevant sections for more information.

If another section is then selected, the settings for the previously selected section will remain unchanged.

Switching off



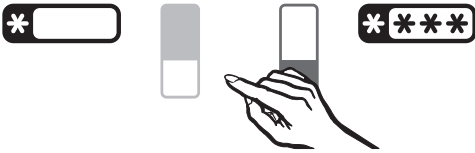
- Touch the On/Off control.
If this does not work, the safety lock is activated.

The temperature display will go out and the mains connection symbol  will appear.

The interior lighting goes out and cooling is turned off.

Switching off the refrigerator section separately

The refrigerator section can be switched off without having to switch off the freezer section. This is useful, e.g. whilst on holiday.

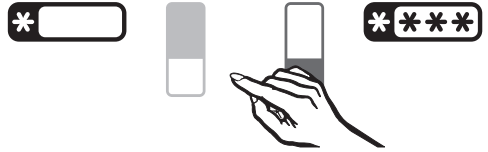


- Touch the sensor for the refrigerator section so that it is no longer highlighted.

Dashes will appear briefly in the display.

Switching the refrigerator section back on again

The refrigerator section can also be switched back on again separately.



- Touch the sensor for the refrigerator section so that it is highlighted in yellow again.

The temperature display for the refrigerator section lights up. The refrigerator section starts to cool and the interior lighting comes on when the door is opened.

Switching on and off

Switching off for longer periods of time

If, during a long absence, the refrigeration appliance is switched off but not cleaned and the door(s) left shut, there is a risk of mould forming inside the appliance.

It is essential to clean the refrigeration appliance.

If the refrigeration appliance is not going to be used for a longer period of time, observe the following:

- Switch the refrigeration appliance off.
- Switch off at the wall socket and withdraw the plug from the socket, or disconnect the fuse.
- Empty the ice cube drawer.
- Take the water container out of the appliance, empty it, then clean and dry it.
- Clean the refrigeration appliance and leave the door ajar to air the appliance and avoid odours building up inside.

It is also advisable to carry out the last two instructions if you are switching the refrigerator section off for a longer period of time.

The correct temperature

It is very important to set the correct temperature for storing food in the appliance. Bacteria will cause food which is not stored at the correct temperature to deteriorate rapidly. Temperature influences the growth rate of these bacteria. Reducing the temperature reduces their growth rate.

The temperature in the refrigeration appliance will rise:

- The more often the appliance door is opened and the longer it is kept open
- The more food that is stored in it
- The warmer the food is which is being put into it
- The higher the ambient temperature surrounding the refrigeration appliance. This refrigeration appliance is designed for use within specific ambient temperatures (climate range). Do not use in ambient temperatures for which it is not designed.

... in the refrigerator section

We recommend a temperature of **4 °C** in the refrigerator section.

... in the freezer section

To freeze fresh food and to store frozen food for long periods, a temperature of **-18 °C** is required. At this temperature the growth of bacteria is generally halted. As soon as the temperature rises above -10 °C, the bacteria become active in the food again so it cannot be kept as long. For this reason, partially defrosted or defrosted food must not be re-frozen. Food may be re-frozen once it has been cooked, as the high temperatures achieved when cooking destroy most bacteria.

The correct temperature

Temperature display

In normal operation the display shows the **average, current temperature in the refrigerator section** and the temperature **in the warmest area of the freezer section.**

If the temperature in the freezer section is not within the normal temperature display range, dashes will flash in the display.

Depending on the ambient temperature and the temperature setting, it can take the appliance a few hours to reach the temperature required and for this temperature to then be shown as a constant temperature in the display.

Setting the temperature in the refrigerator / freezer sections

The temperatures for the refrigerator and freezer sections are set independently of one another.



- Select the refrigerator or the freezer section.
- Use the two sensors underneath the display to set the temperature.

By touching the sensor



- the temperature will get colder



- the temperature will get warmer.

The temperature being set will flash in the display.

The correct temperature

The following information shows in the display while the sensors are being touched:

- Touching a sensor once: the **last temperature selected** flashes.
- Each subsequent touch of the sensor: adjusts the temperature shown in 1 °C steps.
- Leaving a finger on the sensor changes the temperature continuously.

Approximately 5 seconds after the last time a sensor has been touched, the **current** temperature inside the appliance is automatically shown.

Or

- Touch the OK sensor to confirm your selection.

If you have adjusted the temperature, **wait for approx. 6 hours if the appliance is not very full and for approx. 24 hours if the appliance is full** before checking the temperature display, as it will take this long for the appliance to give an accurate reading.

- If, after this time, the temperature is still too high or too low, you will need to adjust it again.

Temperature range

The temperature can be adjusted:

- in the refrigerator section from 1 °C to 9 °C
- in the freezer section from -15 °C to -26 °C.

Using Super cool, Super freeze and Dynamic cooling

Super cool function

The Super cool function can be used to rapidly reduce the temperature in the refrigerator section to its lowest setting (depending on the room temperature).

Switching on Super cool

Super cool is particularly recommended for the rapid chilling of large amounts of fresh food or drink.



- Touch the sensor for the refrigerator section.

The symbol for the refrigerator section is highlighted in yellow.



- Touch the Super cool sensor so that it is highlighted in yellow.

The appliance will work at full power to lower the temperature in the refrigerator section.

Switching off Super cool

The Super cool function switches off automatically after approx. 12 hours. The appliance will then continue to work at normal power.

To save energy, the Super cool function can be switched off once food and drinks are sufficiently chilled.



- Touch the sensor for the refrigerator section.

The symbol for the refrigerator section is highlighted in yellow.



- Touch the Super cool sensor so that it is no longer highlighted in yellow.

The appliance will continue running at normal power.

Using Super cool, Super freeze and Dynamic cooling

Super freeze function

Switch on Super freeze before putting fresh food into the freezer.

This helps food to freeze quickly and retain its nutrients, vitamins, flavours and appearance.

Super freeze is not necessary:

- when placing food in the freezer that is already frozen.
- when freezing up to 2 kg fresh food daily.

Switching on Super freeze

When freezing small quantities of food in the freezer, the Super freeze function should be switched on **6 hours beforehand**. When freezing the **maximum load of food**, the Super freeze function should be switched on **24 hours beforehand**.



- Touch the sensor for the freezer section.


The symbol for the freezer section is highlighted in yellow.



- Touch the Super freeze sensor so that it is highlighted in yellow.

The appliance will work at full power to lower the temperature in the freezer section.

Switching off Super freeze

The Super freeze function will switch itself off automatically after approx. 30 - 65 hours. The quantity of fresh food placed in the freezer will determine the duration before the Super freeze function switches off. The Super freeze  symbol will go out and the appliance will run at normal power again.

To save energy, the Super freeze function can be switched off once a **constant** temperature of -18 °C is reached inside the freezer. Check the temperature inside the appliance.



- Touch the sensor for the freezer section.

The symbol for the freezer section is highlighted in yellow.



- Touch the Super freeze sensor so that it is no longer highlighted in yellow.

The appliance will continue running at normal power.

Using Super cool, Super freeze and Dynamic cooling

DynaCool function

When the DynaCool function is not switched on, the natural circulation of air in the appliance will cause different temperature zones in the refrigerator as the cold, heavy air will sink to the lowest section of the appliance. You should bear this in mind when placing food in the appliance (see “Storing food in the refrigerator section”).

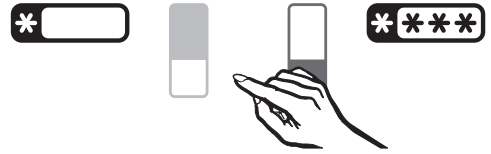
However, if you are placing a large amount of food in the refrigerator at any one time, it is a good idea to switch on DynaCool. This way you can distribute the temperature inside the appliance to all areas more evenly so that all the food will be chilled to about the same degree.

The temperature is set as normal with the temperature control.

DynaCool should also be selected when:

- the ambient temperature in the room is high (above approx. 30 °C), and
- the room humidity level is high.

Switching on Dynamic cooling



- Touch the sensor for the refrigerator section.

The symbol for the refrigerator section is highlighted in yellow.

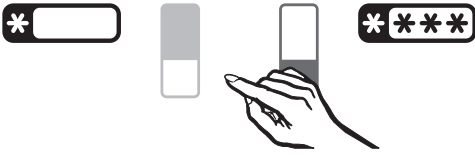


- Touch the Dynamic cooling sensor so that it is highlighted in yellow.

The fan is ready: when the compressor switches on, the fan also switches on automatically.

Using Super cool, Super freeze and Dynamic cooling

Switching off Dynamic cooling



- Touch the sensor for the refrigerator section.

The symbol for the refrigerator section is highlighted in yellow.




- Touch the Dynamic cooling sensor so that it is no longer highlighted in yellow.

To save energy, the fan switches off automatically whilst the door is open.

Temperature and door alarm

The appliance has been fitted with a warning system which ensures that the temperature in the freezer cannot rise unnoticed and to avoid energy being wasted if the door is left open.


Temperature alarm

If the temperature in the freezer section becomes too warm, the sensor for the freezer section will flash and at the same time the alarm symbol  will flash in the display. An alarm will also sound.


The temperature the refrigeration appliance is set at determines the temperature the appliance recognises as being too warm.

Audible and visual signals will be activated, for example:

- When the refrigeration appliance is switched on, if the temperature in a temperature zone differs greatly from the set temperature.
- If a lot of warm room air enters the freezer when frozen goods are being loaded, rearranged or taken out.
- When freezing large amounts of food at once.
- When freezing fresh food which is still warm.
- In the event of a mains outage.
- If the refrigeration appliance has a fault.

The alarm will stop and the alarm symbol  will go out as soon as the temperature has dropped down to the

correct level again. The sensor for the freezer section lights up again constantly.

 Health risk caused by decomposing food.

If the temperature in the freezer remains above $-18\text{ }^{\circ}\text{C}$ for a long time, the frozen goods can start to defrost. This will reduce the storage life of the food.

Check whether the frozen goods have started to defrost. If they have, check that the food is safe to use and if it is, then use it as soon as possible or cook it before freezing it again.


Switching the temperature alarm off early

If the noise disturbs you, you can switch the alarm off if you wish.




- Touch the sensor for switching off the temperature alarm.

The alarm will stop.


The freezer section sensor on the control panel and the alarm symbol  will continue to flash until the temperature is at the correct level.

Door alarm

The appliance is fitted with a warning system to avoid increased energy consumption and food becoming warm if the door is left open.

The alarm will sound if the door is left open for a long time. The alarm symbol  lights up in the display.

The amount of time until the door alarm is triggered depends on the setting selected and can be either 2 minutes (factory default) or 4 minutes. However, the door alarm can also be turned off (see “Selecting further settings” – “Audible signals”).

As soon as the door is closed, the alarm stops sounding and the alarm symbol  disappears from the display.


If the audible signal does not sound in the event of a door alarm, then the audible signal has been switched off in settings mode (see “Selecting further settings” – “Audible signals”).

Switching the door alarm off early

If the noise disturbs you, you can switch the alarm off if you wish.




- Touch the sensor for switching off the door alarm.







The alarm sound will stop.
The alarm symbol  will continue to be lit up until the door is closed.

Selecting further settings

Certain settings on the appliance can only be selected in settings mode.

When in settings mode, the door alarm and other fault messages are automatically deactivated although the alarm symbol  appears in the display.

Settings options

	Activating or deactivating the lock
	Switching ice cube maker on and off (setting the water volume; rinsing the ice cube maker; adjusting the cleaning setting for the ice cube tray)
	Switching audible tones on/off
	Altering the display brightness
	Switching Sabbath mode on/off
	Activating the filter replacement indicator or resetting the counter

The settings options available for the **ice cube maker** are described in “Making ice cubes” and “Cleaning and care”.

All other settings options are described below.

Safety lock

The safety lock can be activated to prevent:


- The appliance being switched off by mistake
- The temperature being changed by mistake
- The DynaCool, SuperCool and SuperFreeze functions being selected by mistake
- Settings being adjusted by mistake (it is only possible to deactivate the safety lock)

This prevents the appliance being switched off or settings being adjusted without your knowledge (by children, for example).

Activating or deactivating the safety lock




- Touch the settings sensor.

All symbols available for selection will appear in the display and the  symbol flashes.



- Touch the OK sensor to confirm your selection.

The last selected setting flashes and the  symbol lights up in the display.


Selecting further settings



- By touching the \wedge or \vee sensor, you can now select whether the safety lock is activated or deactivated:
 D : the safety lock is deactivated
 I : the safety lock is activated




- Touch the OK sensor to confirm your selection.

The selected setting is applied, the  symbol flashes.



- Touch the settings sensor to leave settings mode. Otherwise the appliance exits settings mode automatically after approximately one minute.

The  symbol will appear in the display when the lock is activated.

Audible signals

The appliance has audible signals including the keypad tone and the door and temperature alarm tones.


You can switch the keypad tone or the door alarm tone on or off but you cannot deactivate the temperature alarm.

There are 4 settings to choose from. Option 3 is set at the factory; this means that the keypad tone and the door alarm are switched on.


Switching audible signals on/off



- Touch the settings sensor.


All symbols available for selection appear in the display and the  symbol flashes.



- Touch the sensors for setting the temperature (\wedge or \vee) repeatedly until the  symbol flashes.



- Touch the OK sensor to confirm the selection.

The most recently selected setting flashes and the  symbol lights up in the display.

Selecting further settings



- Touch the \wedge or \vee sensor now to select:
 $\bar{0}$: keypad tone off; door alarm off
 1 : keypad tone off; door alarm on (after 4 minutes)
 2 : keypad tone off; door alarm on (after 2 minutes)
 3 : keypad tone on; door alarm on (after 2 minutes).



- Touch the OK sensor to confirm the selection.

The selected setting is applied, the ♪ symbol flashes.



- Touch the settings sensor to exit settings mode. Otherwise, the appliance electronics will exit the settings mode automatically after approximately one minute.

Display brightness ☀

The display brightness can be adjusted to suit lighting conditions in the room.

The display brightness can be adjusted in steps from 1 to 3 . The factory default setting is 3 (maximum brightness).

Altering the display brightness



- Touch the settings sensor.

All symbols available for selection will appear in the display and the 🔒 symbol flashes.



- Touch the sensors for setting the temperature (\wedge or \vee) repeatedly until the ☀ symbol flashes.



- Touch the OK sensor to confirm your selection.

The last selected setting flashes and the ☀ symbol lights up in the display.


Selecting further settings



- By touching the \wedge or \vee sensor you can now alter the brightness of the display:
1: dimmest setting
2: medium setting
3: brightest setting.



- Touch the OK sensor to confirm your selection.

The selected setting is applied, the  symbol flashes.



- Touch the settings sensor to leave settings mode. Otherwise the appliance exits settings mode automatically after approximately one minute.

Sabbath mode

The refrigeration appliance has a Sabbath mode to support the observance of religious customs.

The following are switched off:

- The interior lighting when the appliance door is opened
- All acoustic and visual signals
- The temperature display
- DynaCool, SuperCool and SuperFreeze (if previously switched on)
- The ice cube maker (if previously switched on)

The following can be selected:


- The settings sensor for switching off Sabbath mode
- The On/Off sensor

The Sabbath mode function will switch itself off automatically after approx. 120 hours.

Ensure that the appliance doors are properly closed, as visual and audible alarms are switched off.

Any mains outage during this time is not shown in the display. After an interruption to the power supply, the refrigeration appliance will continue to operate in Sabbath mode.

Selecting further settings

 Health risk caused by decomposing food.


As any mains outage during Sabbath mode is not indicated, the frozen goods may thaw or defrost. This will reduce the storage life of the food.

Check whether the frozen goods have started to defrost. If they have, check that the food is safe to use and if it is, then use it as soon as possible or cook it before freezing it again.


Switching on Sabbath mode



- Touch the settings sensor.


All symbols available for selection will appear in the display and the  symbol flashes.



- Touch the sensors for setting the temperatures (^ or v) repeatedly until the  symbol flashes.



- Touch the OK sensor to confirm your selection.


The last selected setting flashes and the  symbol lights up in the display.




- By touching the ^ or v sensor you can now switch on Sabbath mode. To do this, select setting 1



- Touch the OK sensor to confirm your selection.

The selected setting is applied, the  symbol lights up.

As soon as the  symbol goes out in the display after 3 seconds, Sabbath mode is switched on.

- Switch off Sabbath mode after the Sabbath has passed.

Switching off Sabbath mode



- Touch the settings sensor to leave Sabbath mode.


The temperature will appear in the display and the interior lighting will come on.

Selecting further settings

Filter replacement indicator

The appliance is not supplied with filters with holder KKF-FF (Active AirClean). These are available to purchase separately (see “Optional accessories”).

After fitting filters, the filter replacement indicator has to be activated.


You will be reminded to replace the filters after approx. 6 months (see “Cleaning and Care - Replacing the charcoal filters”). The  symbol will light up in the display.

After replacing the filter(s), the counter must be reset. The indicator will then go out.


Activating the filter replacement indicator or resetting the counter



- Touch the settings button.


All symbols available for selection will appear in the display and the  symbol flashes.



- Press the buttons for setting the temperature (\wedge or \vee) as often as necessary until the  symbol flashes.



- Press the OK button to confirm the selection.


The most recently selected setting flashes and the  symbol lights up in the display.



- Touch \wedge or \vee to make your selection
 $\bar{0}$: Replacement indicator deactivated
7: Replacement indicator activated
2: Counter reset.



- Press the OK button to confirm the selection.

The selected setting is applied, the  symbol flashes.



- Touch the settings button to leave settings mode.
Otherwise, the appliance electronics will exit the settings mode automatically after approximately one minute.

Storing food in the refrigerator section



Risk of explosion due to flammable mixes of gases.

Electrical components can cause flammable mixes of gases to ignite.

Do not store explosive materials in the refrigeration appliance or any products containing propellants (e.g. spray cans).



Risk of damage due to greasy or oily foods.

If storing food which contains a lot of fat or oil in the refrigeration appliance or the appliance door, make sure that it does not come into contact with plastic components as this could cause stress cracks or break the plastic.

Make sure that no fat or oil leaks onto the plastic parts of the refrigeration appliance.

Tip: Do not store food in such a way that it touches the rear wall of the refrigerator section as it may freeze to the rear wall.

This appliance has Dynamic cooling, which helps to keep an even temperature when the fan is running, making the difference between the various zones less pronounced.

Warmest area

The warmest area in the refrigerator section is at the top in the front area and in the door. Use this for storing butter and cheese.

Different storage zones

Due to natural air circulation, there are different temperature zones in the refrigerator section.

Cold, heavy air sinks to the lowest section of the refrigeration section.

Make use of the different zones when placing food in the appliance.

Tip: To allow air to circulate efficiently, do not pack food too closely together in the appliance.

If there is insufficient air circulation, the cooling performance will decrease and energy consumption will increase.

Do not cover the fan in the rear wall of the appliance.

Storing food in the refrigerator section

Coldest area

The coldest area in the refrigerator section is directly above the fruit and vegetable drawer and at the back of the appliance.

Use these areas to store all delicate and highly perishable food such as:

- Fish, meat, poultry
- Cold cuts, ready meals
- Dishes or baked goods containing eggs or cream
- Fresh dough, cake mixtures, pizza or quiche dough
- Raw milk cheese and other raw milk products
- Pre-packed vegetables
- Other fresh food (with a label stating it should be kept at a temperature of approx. 4 °C)

Food which is not suitable for storage in the refrigerator section

Not all food is suitable for refrigeration at temperatures below 5 °C, because it may be sensitive to cold. Depending on the type of food, the appearance, consistency, flavour and/or vitamin content may be altered if stored at too cold a temperature.

Foods which are sensitive to cold include:

- Pineapples, avocados, bananas, pomegranates, mangoes, melons, papayas, passionfruit, citrus fruits such as lemons, oranges, mandarins, grapefruits
- Fruit (which is not yet ripe)
- Aubergines, cucumbers, potatoes, peppers, tomatoes, courgettes
- Hard cheeses (e.g. Parmesan, mountain cheese)

Storing food in the refrigerator section

Notes on buying food

The freshness of food when first placed in the appliance is an important factor in determining how long it stays fresh, and how long it can be kept in the appliance.

Take into account the use-by date and the correct storage temperature.

Time out of the refrigerator, e.g. transporting food in a warm car, should be kept to a minimum.

Tip: Take an insulated cool bag when shopping, and load food in the appliance as soon as possible.

Storing food correctly

Ensure that food stored in the refrigerator section is **covered or wrapped properly**. This will prevent food odours from affecting other foods, food from drying out, and also any cross-contamination of bacteria. This is particularly important when storing meat products.

By ensuring that the temperature settings are correct and by taking appropriate hygiene measures you can prolong the storage life of your food considerably.

Fruit and vegetable drawers

Fruit and vegetables can be stored loose in the fruit and vegetable drawers.

Protein-rich food

Please note that food rich in protein deteriorates faster than other types of food. Shellfish, for example, deteriorates faster than fish, and fish deteriorates faster than meat.

Adjusting the interior fittings

Adjusting the door shelf/bottle shelf

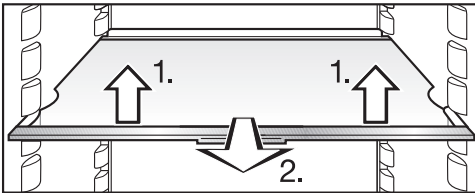
Tip: Only move the appliance door shelves/bottle shelves when they are empty.

- Push the door shelf/bottle shelf upwards, then remove it by pulling it forwards.
- Replace the shelf at the required height. Ensure that it is securely pushed back into position.

Moving the adjustable shelf/ adjustable shelf with lighting

By adjusting the position of the adjustable shelf with lighting in the refrigerator section, you can change the illumination in this section according to your needs.

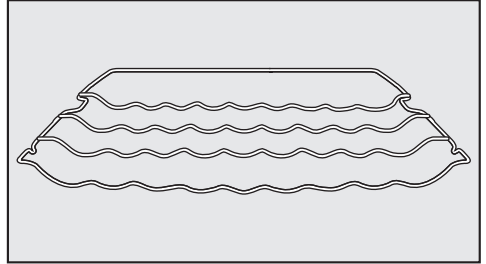
Stoppers prevent the shelves from being dislodged by mistake.



- The shelves can be adjusted according to the height of the refrigerated goods:
 1. Lift it upwards slightly at the front.
 2. Pull it forwards a little and lift it until the notch at the side is in line with the shelf support. It can then be raised or lowered to the required level.
- Push the shelf in until it clicks into position.

The raised edge on the protective strip at the back must face upwards to prevent food from touching the back of the appliance and freezing to it.

Adjusting the bottle rack



The bottle rack can be placed at different positions in the appliance.

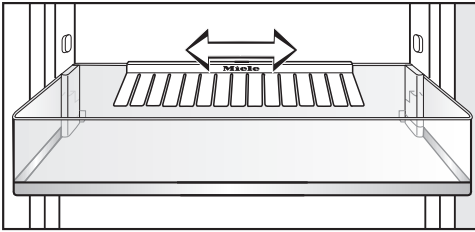
- Raise the bottle rack slightly at the front, and pull it forwards a little until the notch at the side is in line with the shelf support. It can then be raised or lowered to the required level.

The rear rail must face upwards to prevent bottles from touching the back of the appliance.

Stoppers prevent the bottle rack from being dislodged by mistake.

Adjusting the interior fittings

Moving and fitting the bottle holder



The bottle holder can be moved left or right to create more room for drink cartons.

The bottle holder can be removed completely (e.g. for cleaning):


- Pull the bottle holder upwards to remove it from the rear edge of the bottle shelf.

The bottle holder can be replaced after cleaning.

Removing and replacing the fruit and vegetable drawer

The fruit and vegetable drawer sits on telescopic runners and can be removed for loading and unloading, or cleaning.

- Pull out the drawer as far as it will go, and then lift it up and out.

 Risk of damage as a result of incorrect handling.
After removing the drawer, the telescopic runners are fully extended.
Push the telescopic runners back in.

Replacing the drawer

- Place the drawer on the fully retracted telescopic runners.
- Push the drawer into the appliance until it clicks into position.

Moving the charcoal filters

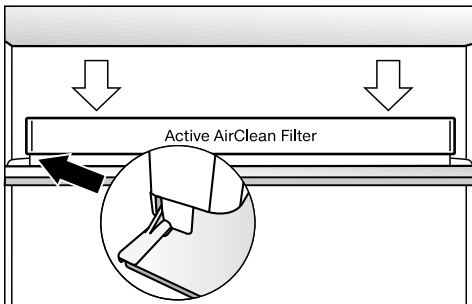
Charcoal filters and a KKF-FF (Active AirClean) holder are available as optional accessories (see “Accessories - optional accessories”).

When storing very strong smelling food (e.g. very ripe cheese):

- Place the holder with the charcoal filters on the shelf where this food is kept.
- Change the filters sooner if necessary.
- Use more charcoal filters (with holders) in the appliance (see “Accessories – Optional accessories”).

The holder for the charcoal filters sits on the protective strip at the back of the shelf.

- To move the charcoal filters, pull the holder upwards to remove it from the protective strip.



- Refit the holder on the protective strip of the shelf you wish to use it on.

Freezing and storing food

Maximum freezing capacity

To ensure that fresh food placed in the freezer freezes through to the core as quickly as possible, the maximum freezing capacity must not be exceeded. The maximum freezing capacity for freezing within a 24-hour period is given on the data plate: "Freezing capacitykg/24 hrs".

The maximum freezing capacity given on the data plate has been calculated according to DIN EN ISO 15502 Standard.

Freezing fresh food

Fresh food should be frozen as quickly as possible. This way the nutritional value of the food, its vitamin content, appearance and taste are not impaired.

Food which takes a long time to freeze will lose more water from its cells, which then shrink. During the defrosting process, only some of this water is reabsorbed by the cells. What this means in practice is that the food loses more moisture. You can see this in the large amount of water that collects around the food when it defrosts.

If food is frozen quickly, the cells have less time to lose moisture, so they shrink less. As there is not so much moisture loss, it is easier for the food to reabsorb it during the defrosting process, and very little water collects around the defrosted food.

Storing frozen food

Never re-freeze partially or fully defrosted food. Defrosted food may only be re-frozen after it has been cooked.

When buying frozen food to store in your freezer, check:

- That the packaging is not damaged
- The use-by date
- The temperature at which the frozen food is being stored in the shop.

The length of time food can be kept is reduced if it has been stored at a temperature warmer than -18 °C.

- Buy frozen food once you have finished the rest of your shopping and wrap it in newspaper or use a cool bag or cool box to transport it.
- Put it into the freezer as soon as possible.

Home freezing

Only freeze fresh food which is in a good condition.

Hints on home freezing

- The following types of food **are suitable** for freezing:
Fresh meat, poultry, game, fish, vegetables, herbs, fresh fruit, dairy products, cakes, leftovers, egg yolks, egg whites and a range of pre-cooked meals.
- The following types of food **are not suitable** for freezing:
Grapes, lettuce, radishes, soured cream, mayonnaise, eggs in their shells, onions, whole raw apples and pears.
- To retain colour, taste, aroma and vitamin C, vegetables should be blanched before they are frozen. To do so place them portion by portion into boiling water for 2–3 minutes. Remove, and plunge into ice-cold water to cool quickly. Drain and pack ready for freezing.
- Lean meat freezes better than fatty meat, and can be stored for considerably longer.
- Separate chops, steaks, cutlets etc. with a sheet of plastic freezer film. This prevents them from freezing together in a block.
- Do not salt or season raw food or blanched vegetables before freezing. Cooked food should only be lightly salted and seasoned. Some herbs intensify the taste of food when frozen.

- Placing hot foods or drinks in the freezer causes food that is already frozen to partially thaw and increases energy consumption. Allow hot foods and drinks to cool down before placing them in the freezer.

Packaging food for freezing

- Freeze food in portions.
 - **Suitable packing material**
 - Plastic freezer bags
 - Tubular polythene freezer bags
 - Aluminum foil
 - Freezer containers
 - **Unsuitable packing material**
 - Wrapping paper
 - Greaseproof paper
 - Cellophane
 - Bin bags
 - Plastic carrier bags
 - Expel as much air as possible from the packaging.
 - Close the packaging tightly with
 - Rubber bands
 - Plastic clips
 - String
 - Freezer tape
- Tip:** Freezer bags may also be sealed using home heat sealing kits.
- Make a note of the contents and the date of freezing on the packaging.

Freezing and storing food

Before placing food in the appliance

- When freezing more than 2 kg of fresh food, switch on the SuperFreeze function for some time before placing the food in the freezer (see “SuperFreeze function” in “Using SuperFreeze and DynaCool”).

This helps food which is already stored in the freezer to stay frozen.

Placing food in the freezer



If the food is too heavy, this can cause damage.

Loading food which is too heavy can cause damage to the freezer drawers/glass shelves.

Do not exceed the relevant maximum load:

- freezer drawer = 25 kg
- glass shelf = 35 kg

Unfrozen food should not touch frozen food as this will cause frozen food to begin to thaw.

- Make sure that the packaging and containers are dry to prevent them sticking together when frozen.

– Freezing small amounts of food

Place the food in the upper freezer drawers.

- Place the food flat in the bottom of the freezer drawers so that it freezes through to the core as quickly as possible.

– Freezing the maximum amount of food (see data plate)

If the ventilation slots are blocked the cooling performance will decrease and energy consumption will increase.

When placing food in the freezer, make sure that the ventilation slots are not blocked.

Please note that when removing the drawers, the lowest freezer drawer must always remain in the refrigeration appliance.

- Remove the upper freezer drawers.
- Place the food flat on the upper glass shelves so that it freezes through to the core as quickly as possible.

Once frozen:

- Place the frozen goods in the freezer drawer and push it back in.

Freezing and storing food

Storage time for frozen food

The storage life of food is very variable, even at a constant temperature of $-18\text{ }^{\circ}\text{C}$. Decomposition processes also take place in frozen food, albeit at a very reduced speed. For example, fat can become rancid from contact with oxygen in the air. This is why lean meat can be stored approx. twice as long as fatty meat.

The storage times quoted are guide values for the storage life of different food groups in the freezer zone.

Food group	Storage time (Months)
Ice cream	2 to 6
Bread, baked goods	2 to 6
Cheese	2 to 4
Fish, oily	1 to 2
Fish, lean	1 to 5
Sausage, ham	1 to 3
Game, pork	1 to 12
Poultry, beef	2 to 10
Vegetables, fruit	6 to 18
Herbs	6 to 10

For standard freezing results, follow the advice on packaging.

Defrosting frozen goods

Never re-freeze partially or fully defrosted food. Defrosted food may only be re-frozen after it has been cooked.

Frozen goods can be defrosted in different ways:

- In a microwave oven
- In an oven using “Fan heat” or the “Defrost” setting
- At room temperature
- In the refrigerator zone (the cold given off by the frozen food helps to keep the other food cold)
- In a steam oven

Flat pieces of partially thawed meat or fish can be placed directly into a hot frying pan.

Meat and poultry (e.g. mince, chicken, fish fillets) should not come into contact with other foods while defrosting. Catch the liquid from defrosting and dispose of it carefully.

Fruit should be defrosted at room temperature in its packaging, or in a covered bowl.

Most vegetables can be cooked while still frozen. Just put straight into boiling water or hot fat. The cooking time is slightly less than that of fresh vegetables due to changes in the cell structure.

Freezing and storing food

Cooling drinks quickly

When cooling drinks quickly in the freezer, make sure bottles are **not left in for more than one hour**; otherwise they could burst, causing injury and damage.

Adjusting the interior fittings

Removing the drawers and glass plates from the freezer

The drawers can be removed for filling, emptying or cleaning purposes.

You can also use the space in the freezer more flexibly. If you wish to freeze large items such as a turkey or game, the glass cold plates between the drawers can be removed.

- Pull out the drawers as far as they will go, and then lift them up and out.
- Lift the glass plate slightly, pull it forwards and out.

Using accessories

Using the cool pack

The cool pack prevents the temperature in the freezer section from rising too quickly in the event of a power cut. This can help prolong the storage life.

- Place the cool pack in the top drawer of the freezer section.

The cool pack will be at its most effective after it has been in the freezer for approx. 24 hours.

In the event of a power cut

- Place the frozen cool pack directly on top of the frozen food in the front of the top drawer.

Tip: When placing fresh food in the freezer, use the cool pack to separate the fresh food from the food which is already frozen so that the frozen food does not begin to thaw.

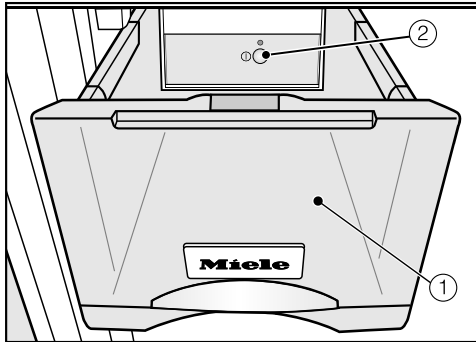
Tip: The cool pack can also be used in a cool bag to keep food or drinks cool for a short period of time.

Making ice cubes

Ice cube maker with integrated ice cube tray

Only make normal domestic quantities of ice cubes with the ice maker.

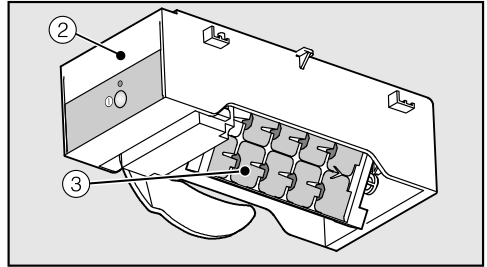
After using the appliance for the first time, it can take up to 24 hours for the first ice cubes to drop out of the ice-cube maker and collect in the drawer. After the ice-cube maker has been turned off and on again, this process lasts max. 6 hours.



In the ice-cube drawer ① there is an automatic ice-cube maker ②.

When the ice-cube maker is switched on, the indicator light on the ice-cube maker lights up.

Ice cubes can only be made when the ice-cube drawer is completely closed.



An ice-cube tray ②, in which the ice cubes are produced, is integrated in the ice-cube maker ③.


The ice-cube tray automatically empties into the drawer as soon as ice cubes are produced. Once a certain fill level has been reached, the automatic production of ice cubes stops. The drawer will not fill up to the top edge.

The ice-cube maker can be turned off independently of the freezer if you do not want to make any ice cubes.


If the ice-cube maker is turned off, the ice-cube drawer can be used as an extra drawer for freezing fresh food and storing frozen food.

Making ice cubes

Water container

 Risk to health and risk of damage due to contaminated water. The quality of the incoming water must conform to the requirements for drinking water in the country where the refrigeration appliance is being used.


Only use cold, fresh tap water to fill the water container.

 Risk of damage due to incorrect operation.

Liquids containing sugar, such as soft drinks, fruit juice and syrup or concentrate diluted with water, can damage the pump and the ice cube maker.

Hot or boiling water can damage the water container.

Only use cold, fresh tap water to fill the water container.

 Risk to health due to contaminated water.

Bacteria can develop in water which has been sitting in the water container or the water supply lines for several days. This poses a risk to your health.

Change the water in the water container **every day**.

You should also always empty and refill it before switching on the ice cube maker to ensure that the ice cubes are made with fresh water.

Clean the water container if it is not used for more than 24 h and dry it carefully.

The ice cube maker and water supply pipework must be rinsed:

- Before using for the first time
- If the ice cube maker has not been used for a long time (over 24 h)
- Regularly when in continuous use (at least once a month), to remove ice residues from the system (to avoid a blockage of the water supply pipework)
- Before switching the ice cube maker off for a long time

See “Cleaning and care – Rinsing the ice cube maker” for details of how to enable this function.

Do not use the ice cube maker continuously if the refrigerator section has been switched off separately.

The ice cube maker in the freezer section is supplied with water from the water container in the refrigerator section.

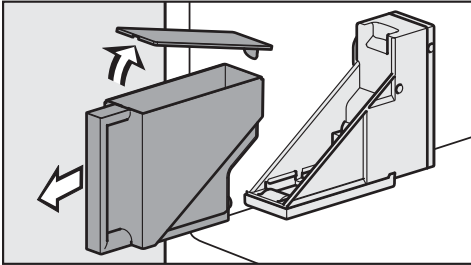
Making ice cubes

However, you can also use the cooled water in the water container at any time.

The water container holds approx. 1 litre of water.

Filling the water container

- Switch the appliance on.



- Pull the water container forwards to remove it.
- Clean it thoroughly with water to remove any dust etc.
- Fill the container up to the marker with fresh, cold drinking water.
- Place the filled water container back into its holder and push it all the way in.


Make sure that the water container has locked into position and is sitting correctly in its niche.


Switching the ice-cube maker on and off

Make sure that the ice-cube drawer is empty before switching on the ice-cube maker.



- Touch the settings button.

All symbols available for selection will appear in the display and the  symbol flashes.

- Touch the buttons for setting the temperature (∇ or \blacktriangle) repeatedly until the ice-cube maker symbol  flashes in the display.
- Touch the OK button to confirm your selection.
- Use the ∇ and \blacktriangle buttons to set the ice-cube maker:
 I : ice-cube maker is switched off
 I : ice-cube maker is switched on
- Touch the OK button to confirm your selection.

The selected setting is applied.

- Touch the settings button to leave settings mode or
- close the appliance door.

Otherwise, the appliance will switch to normal operation after approximately one minute.

Making ice cubes

Making a large amount of ice cubes

The amount of ice cubes produced depends on the temperature in the freezer. The lower the temperature, the more ice cubes are produced within a given time. At a temperature of -18 °C, approx. 1 kg of ice cubes will be produced within 24 hours.

Tip: If you require a large amount of ice cubes, replace the full ice cube drawer with the drawer beside it on the right.

The ice maker will begin to produce ice cubes again as soon as this drawer has been placed in position and closed properly.

Changing the size of the ice cubes


The size of the ice cubes depends on the quantity of water being taken in. You are able to set this quantity according to your requirements. To make larger ice cubes, increase the amount of water being taken in by the ice-cube maker. The amount of water is set to medium (E 3) at the factory.


Setting the water volume

The setting can only be selected if the ice cube maker is switched on.



- Touch the settings sensor.

All symbols available for selection will appear in the display and the  symbol flashes.

- Touch the sensors for setting the temperature (∨ or ∧) repeatedly until the the ice cube maker symbol  flashes in the display.
- Touch the OK sensor to confirm your selection.
- By touching the ∨ and ∧ sensor you can now alter the water volume:
 - 0: the ice cube maker is switched off
 - 1: the ice cube maker is switched on
 - 2: **set the water volume**
 - 3: select the ice cube tray cleaning position
 - 4: rinse the ice cube maker
- Touch the OK sensor to confirm your selection.

- By touching the ∇ or \wedge sensor, you can now set the water volume you require (*E1* to *E8*):
E1: low water volume
E8: high water volume
- Touch the OK sensor to confirm your selection.

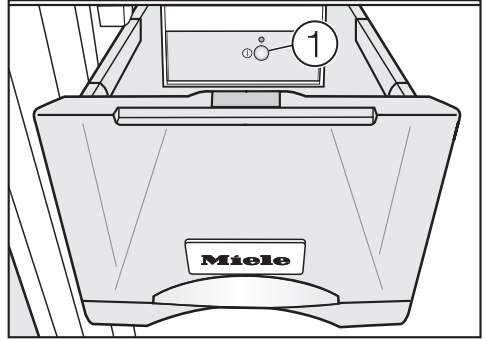
The selected setting is applied.



- Touch the settings sensor to leave settings mode, or
- Close the appliance door.

Otherwise the appliance will switch to normal operation after approximately one minute.

Switching the ice cube maker on/off with the On/Off button

- Pull the ice cube drawer out slightly.



- Press the On/Off button ① on the ice cube maker,
 - until the indicator light comes on. The ice cube maker symbol  will appear in the display. The ice cube maker is switched on.
 - until the indicator light goes out. The ice cube maker symbol  will go out in the display. The ice cube maker is switched off.
- Close the ice cube drawer.

Defrosting

Refrigerator section

The refrigerator section defrosts automatically.

Condensate and frost can build up on the back wall of the refrigerator section whilst the compressor is running. You do not need to remove this, as it will defrost and evaporate automatically with the warmth generated by the compressor.

The condensate drains through a channel and drain pipe into an evaporation system at the back of the refrigeration appliance.

Keep the condensate channel and drain hole clean to enable this. Condensate must be able to drain away unhindered at all times.


Freezer section

The appliance is equipped with a “NoFrost” system. The freezer defrosts automatically.

The moisture generated in the appliance collects on the condenser and is automatically defrosted and dissipated from time to time.

This automatic defrosting system enables the freezer to remain permanently ice-free. Food stored in the freezer will not defrost with this system.

Do not let water get into the electronic module or the lighting.

 Risk of damage due to moisture ingress.

The steam from a steam cleaner can damage plastic and electrical components.

Do not use a steam cleaner to clean the refrigeration appliance.

Cleaning water must not get into the drain hole.

The data plate located inside the interior cabinet of the refrigeration appliance must not be removed. It contains information which is required in the event of a fault.

Cleaning agents

Cleaning and conditioning agents used inside the appliance must be food safe.

To avoid damaging all the surfaces of your appliance, **do not use:**

- cleaning agents containing soda, ammonia, acids or chlorides
- cleaning agents containing descaling agents
- abrasive cleaning agents, e.g. powder cleaners and cream cleaners
- solvent-based cleaning agents
- stainless steel cleaning agents
- dishwasher cleaner
- oven sprays
- glass cleaning agents
- hard, abrasive sponges and brushes, e.g. pot scourers
- melamine eraser blocks
- sharp metal scrapers

We recommend using a clean sponge, lukewarm water with a little washing-up liquid to clean surfaces of the appliance.

The following pages contain important information on cleaning.

Cleaning and care

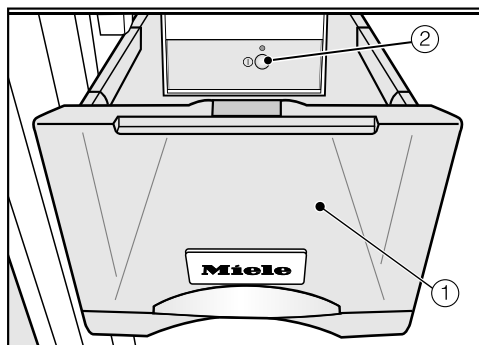
Rinsing the ice cube maker

⚠ Risk to health due to contaminated water.

Bacteria can develop in water which has been sitting in the water supply lines for several days. This poses a risk to your health.

The ice cube maker and water supply pipework must be rinsed:

- Before using for the first time
- If the ice cube maker has not been used for a long time (over 24 h)
- Regularly when in continuous use (at least once a month), to remove ice residues from the system (to avoid a blockage of the water supply pipework)
- Before switching the ice cube maker off for a long time



After selecting the “Rinse the ice cube maker” setting, the ice cube maker ② and the water supply pipework will be rinsed automatically with water.

The ice cube tray then rotates into the cleaning position to allow you to dry it by hand.

Water is collected in the ice cube drawer ①.

⚠ Risk of damage due to incorrect operation.

Hot or boiling water or the addition of cleaning agent (e.g. washing-up liquid) can damage the water container.

Only use cold, fresh tap water to fill the water container.


- Pull the water container forwards to remove it.
- Clean it thoroughly with water to remove any dust, etc.
- Fill the container up to the marker with fresh, cold drinking water, or drinking water which is at the most hand-hot.
- Place the filled water container back into its holder and push it all the way in.
Make sure that the water container has locked into position and is sitting correctly in its niche.


Make sure the ice cube drawer is empty before selecting the “Rinse the ice cube maker” setting. Otherwise, the water will empty onto the contents of the drawer.


The “Rinse the ice cube maker” setting can only be selected when the ice cube maker is switched on and the water container has been filled.



- Touch the settings sensor.


All symbols available for selection appear in the display and the  symbol flashes.

- Touch the sensors for setting the temperature (∇ and \wedge) repeatedly until the ice cube maker symbol  flashes in the display.
- Touch the OK sensor to confirm the selection.
- By touching the ∇ and \wedge sensors, you can now select the setting you want:
 - 0: the ice cube maker is switched off
 - 1: the ice cube maker is switched on
 - 2: set the water volume
 - 3: select the ice cube tray cleaning position
 - 4: **rinse the ice cube maker**
- Touch the OK sensor to confirm the selection.

The selected setting is applied. The ice cube maker symbol  in the display and the indicator light on the ice cube maker will flash while the ice cube maker is being rinsed.

You will hear the ice cube tray turn so that it is at an angle.

- Wait until the ice cube tray has completed this rotation before continuing.

The ice cube maker will then switch off. The symbol for the ice cube maker  will disappear from the display.

- Carefully remove the ice cube drawer, which will be full of water. Empty and clean it.

The ice cube tray **cannot be removed** and must be cleaned in situ.

- Dry the ice cube tray  with a cloth.

When the ice cube maker is switched back on again, the ice cube tray will rotate back into the original position.

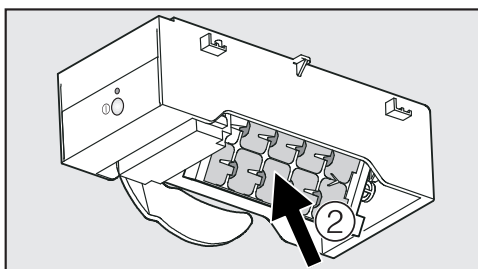
Cleaning and care

Cleaning the ice-cube tray

Clean the ice-cube tray:

- Before switching off the ice-cube maker for a long period of time.
- Regularly, to remove ice and water residues.

If you have previously selected the setting “Rinse the ice-cube maker” (see “Rinsing the ice-cube maker”), the ice-cube tray will already be in the cleaning position.



The ice-cube tray ② **cannot be removed** and must be cleaned in situ. For this reason the ice-cube tray must be set to the cleaning position.


Selecting the cleaning position


The setting can only be selected if the ice-cube maker is switched on.

- Empty the ice-cube drawer.



- Touch the settings sensor.


All symbols available for selection appear in the display and the  symbol flashes.

- Touch the buttons for setting the temperature (∨ and ∧) repeatedly until the ice-cube maker symbol  flashes in the display.
- Touch the OK sensor to confirm the selection.
- By touching the ∨ and ∧ buttons, you can now select the setting you want:
 - ∩: the ice-cube maker is switched off
 - ∪: the ice-cube maker is switched on
 - 2: set the water volume
 - 3: **select the ice-cube tray cleaning position**
 - 4: rinse the ice-cube maker

- Touch the OK sensor to confirm the selection.

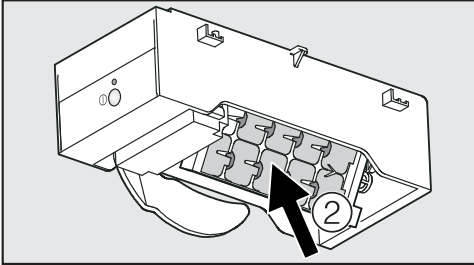
The selected setting will be applied and you will hear the ice-cube tray rotate into an angled position.

- Wait until the ice-cube tray has completed this rotation before continuing.

The ice-cube maker will then switch off. The symbol for the ice-cube maker  will disappear from the display.

- Remove the ice-cube drawer.

The ice-cube tray cannot be removed and must be cleaned in situ.



- Clean the ice-cube tray ② and the ice-cube drawer with lukewarm water and a little washing up liquid. Wipe thoroughly with clean water and dry with a cloth.

When the ice-cube maker is switched back on again, the ice-cube tray will rotate back into the original position.

Preparing the refrigeration appliance for cleaning

- Switch the refrigeration appliance off.

The display goes out and the cooling function is switched off.

- Switch off at the wall and withdraw the plug from the socket, or disconnect the mains fuse.
- Take any food out of the refrigeration appliance and store it in a cool place.
- Remove the shelves and bottle shelf from the door.
- Take out all other removable parts for cleaning.

Removing the water container

⚠ Risk to health due to contaminated water.

Bacteria can develop in water which has been sitting in the water container or the water supply lines for several days. This poses a risk to your health.

Change the water in the water container **every day**.

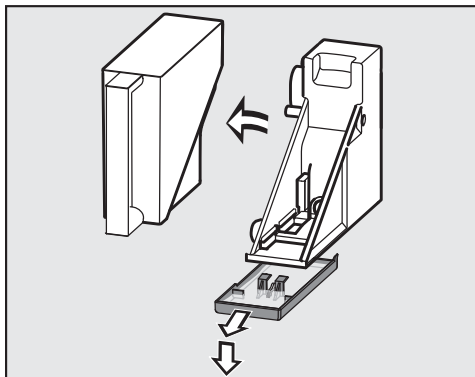
You should also always empty and refill it before switching on the ice cube maker to ensure that the ice cubes are made with fresh water.

If the water container has not been used for more than 24 h, empty it and clean it thoroughly before refilling.

You should also clean the water container before switching off the appliance or the ice cube maker for a long time. Dry the water container carefully.


Cleaning and care

When cleaning the water container, also ensure that the valve, the underside of the water container and the surface the water container sits on in the refrigerator are clean. Otherwise the water container will not sit correctly.



- Remove the water container.
- Pull the drip tray forwards and then downwards to remove it.

Dismantling the adjustable shelf/ adjustable shelf with lighting

 Risk of damage as a result of incorrect cleaning.


The stainless steel trim with LED lighting will be damaged if you place it in water for cleaning.

Clean the stainless steel trim with LED lighting with a damp cloth.

Remove the stainless steel trims or stainless steel trim with LED lighting before cleaning the adjustable shelves in the dishwasher.

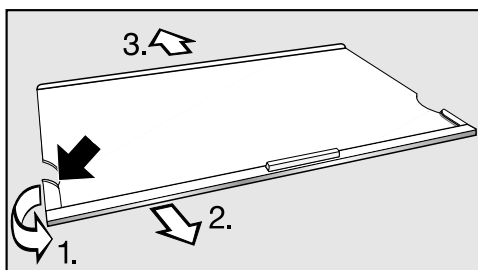
To remove the stainless steel trim and the rear protective strips, proceed as follows:

- Place the adjustable shelf on a soft surface (e.g. a tea towel) with the top side facing downward.

 Risk of damage as a result of incorrect handling.

When you remove the stainless steel trim with LED lighting, the contacts (metal disc) can be damaged.

These contacts in the front left corner supply power to the LED lighting. Ensure that you always loosen the side on which the contacts are not located first.



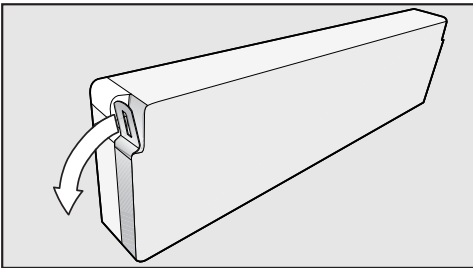
- Grasp the plastic surround on the left-hand side of the stainless steel trim at its rearmost point.
 1. Pull the plastic surround from the adjustable shelf and
 2. pull the trim off at the same time. The opposite side will also be released.
 3. Then pull the protective strip off.
- After cleaning, reattach the stainless steel trim or protective strip by following the same procedure in reverse.

Dismantling the bottle and door shelves

Remove the stainless steel trim before cleaning the door shelves in a dishwasher.

To remove the stainless steel trim, proceed as follows:

- Place the door/bottle shelf with the front side on the work surface.



- Take hold of one end of the trim and pull it off the shelf. The entire section of stainless steel trim will now come off the shelf.
- After cleaning, reattach the stainless steel trim to the shelf by following the same procedure in reverse.

Cleaning the interior and accessories

The appliance should be cleaned regularly (at least once a month).

Remove soiling immediately to prevent it from drying on.

- Clean the **interior** with a clean sponge, lukewarm water and a little washing-up liquid.
- After cleaning, wipe with clean water and dry with a soft cloth.

The stainless steel trim on the shelves, bottle or door shelves is **not suitable** for cleaning in a dishwasher.

Remove the stainless steel trim and strips before putting the shelves into the dishwasher.

The following parts **cannot be cleaned in a dishwasher**:

- the stainless steel trim or strips
- the protective strips at the back of the adjustable shelves
- the bottle rack
- all drawers and drawer lids (depending on model)
- the cool pack
- These accessories should all be hand washed.

Cleaning and care


The following parts **can be cleaned in a dishwasher**:

The maximum temperature of the dishwasher programme selected must not exceed 55 °C.

Contact with natural dyes from carrots, tomatoes and ketchup, etc., may discolour the plastic parts in the dishwasher.
This discolouration does not affect the stability of the parts.

- bottle holder, butter dish, egg tray, water container, drip tray (depending on model)
- the bottle shelf and shelves in the door (with stainless steel trim removed)
- the adjustable shelves (with the trim and strips removed)
- the holder for the charcoal filter (optional accessory)
- Clean the condensate channel and drain hole frequently so that condensate can drain away unhindered. Use a straw or similar to clear the drain hole if necessary.
- Leave the door open to air the appliance for a short while and to prevent odours building up.

Cleaning the door seal

 Risk of damage as a result of incorrect cleaning.

If you treat the door seal with oils or grease, it can become porous.

Do not use any oils or grease on the door seal.

- The door seal should be cleaned regularly with clean water and then wiped dry with a cloth.

Cleaning the ventilation gaps

A build-up of dust will increase the energy consumption of the appliance.

- The ventilation gaps should be cleaned on a regular basis with a brush or vacuum cleaner (e.g. use the dusting brush for Miele vacuum cleaners)

After cleaning

- Replace all shelves and accessories in the appliance.
- Reconnect to the mains and switch the appliance back on.
- Switch on the Super freeze function for a while so that the freezer section can cool down quickly.
- Switch on the Super cool function for a while so that the refrigerator section can cool down quickly.
- Place food in the refrigerator section and close the door.
- Place the freezer drawers with the frozen food back in the freezer section and close the door.
- When the temperature in the freezer section is a constant -18 °C or colder press the Super freeze button to switch the Super freeze function off.

Replacing the charcoal filters

Charcoal filters and a KKF-FF (Active AirClean) holder are available as optional accessories (see “Accessories - optional accessories”).

Replace the charcoal filters in the holder every 6 months.

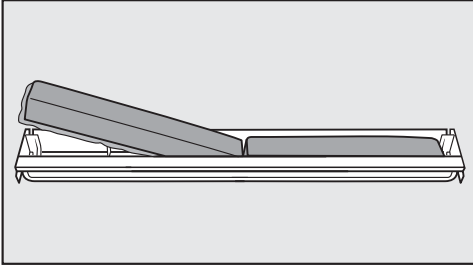
Replacement KKF-RF charcoal filters can be obtained from Miele, from your dealer or from Miele's website.

Tip: The charcoal filter holder is dishwasher-proof.

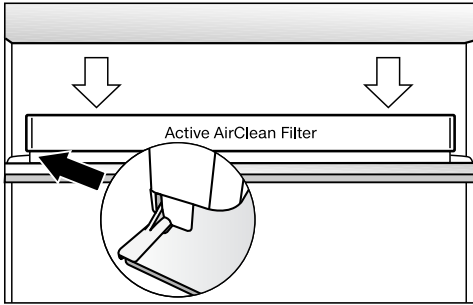
- Pull the charcoal filter holder upwards to remove it from the shelf.

When in position, the charcoal filters must not touch the back wall of the appliance as the moisture could cause them to stick to the back wall. Insert the new charcoal filters into the holder so that they do not protrude over the edge of the holder.

Cleaning and care



- Remove both charcoal filters and place the new filters with the framed edge pointing downwards in the holder.





- Place the holder in the middle of the raised edge at the back of the shelf, so that it clicks into position.

Problem solving guide

Many malfunctions and faults that can occur in daily operation can be easily remedied. Time and money will be saved because a service call will not be needed.

The following guide may help you to find the reason for a malfunction or a fault, and to correct it.

To prevent unnecessary loss of temperature it is advisable not to open the door while waiting for the appliance to be serviced.

Problem	Cause and remedy
The appliance is not getting cold, the interior lighting does not come on when the door is opened, and the display is not lit up.	The appliance is not switched on and the mains connection symbol  is lit up in the display. ■ Switch the appliance on.
	The plug is not inserted in the socket correctly. ■ Insert the plug correctly into the socket. The mains connection symbol  appears in the display when the appliance is switched off.
	Check whether the mains fuse has tripped. There could be a fault with the appliance, the household electrical wiring or another electrical appliance. ■ Contact a qualified electrician or Miele.
The compressor runs continuously.	This is not a fault. To save energy, the compressor runs at a lower speed, but for longer, when less cooling is required.

Problem solving guide






Problem	Cause and remedy
<p>The compressor is switching on more frequently and for longer periods of time. The temperature in the refrigeration appliance is too low.</p>	<p>The ventilation gaps have been covered or become too dusty.</p> <ul style="list-style-type: none"> ■ Do not block the ventilation gaps. ■ Dust the ventilation gaps regularly.
	<p>The appliance doors have been opened too frequently, or a large amount of fresh food has been put in all at once for storage or freezing.</p> <ul style="list-style-type: none"> ■ Only open the appliance doors when necessary and for as short a time as possible. <p>After a while, the temperature will return to normal by itself.</p>
	<p>The appliance doors are not closed properly. A thick layer of ice may have formed in the freezer.</p> <ul style="list-style-type: none"> ■ Close the appliance doors. <p>After a while, the temperature will return to normal by itself.</p> <p>If a thick layer of ice has already formed, this will affect cooling and increase energy consumption.</p> <ul style="list-style-type: none"> ■ Defrost the refrigeration appliance and clean it.
	<p>The ambient room temperature is too high. The higher the ambient temperature, the longer the compressor has to run.</p> <ul style="list-style-type: none"> ■ See the information in “Installation” – “Location”.
	<p>The temperature setting in the refrigeration appliance is too low.</p> <ul style="list-style-type: none"> ■ Correct the temperature setting.
	<p>A large amount of food is being frozen at once.</p> <ul style="list-style-type: none"> ■ See “Freezing and storing food”.
	<p>The SuperCool function is still switched on.</p> <ul style="list-style-type: none"> ■ You can switch off the SuperCool function earlier to save energy.
	<p>The SuperFreeze function is still switched on.</p> <ul style="list-style-type: none"> ■ You can switch off the SuperFreeze function earlier to save energy.

Problem solving guide






Problem	Cause and remedy
<p>The compressor comes on less and less often and for shorter periods of time. The temperature in the refrigeration appliance rises.</p>	<p>This is not a fault. The temperature setting is too high.</p> <ul style="list-style-type: none"> ■ Correct the temperature setting. ■ Check the temperature again after 24 hours. <p>The frozen food begins to defrost. The room temperature is too low for this refrigeration appliance. If the room temperature is too low, the compressor will run less frequently. This may cause the freezer zone to become too warm.</p> <ul style="list-style-type: none"> ■ See the information in “Installation” – “Location”. ■ Increase the temperature of the room.
<p>An LED indicator light is flashing at the back of the appliance at the bottom near the compressor (depending on model). The electronic unit for the compressor is equipped with an operation and fault diagnosis LED indicator light.</p>	<p>The indicator light flashes several times every 5 seconds. A fault has occurred.</p> <ul style="list-style-type: none"> ■ Call Miele. <p>The indicator light flashes regularly every 15 seconds. Not a fault. This flashing is normal.</p>

Problem solving guide


Display warnings

Message	Cause and remedy
The  symbol lights up in the display. You cannot switch the appliance off.	The safety lock has been activated. <ul style="list-style-type: none">■ Completely deactivate the safety lock (see “Selecting further settings – Activating and deactivating the safety lock”).
The alarm symbol  and the sensor for one of the sections light up in the display, and an alarm also sounds.	The door alarm has been activated. <ul style="list-style-type: none">■ Close the appliance door. The alarm symbol  will go out and the alarm will stop.
The alarm symbol  flashes in the display together with the sensor for the freezer section. An alarm will also sound.	The temperature alarm has been activated. The temperature in the freezer section has risen above or fallen below the temperature which has been set. Possible reasons for this include: <ul style="list-style-type: none">– The appliance door has been opened too frequently.– A large quantity of fresh food has been placed in the freezer without switching on the SuperFreeze function.– A prolonged power cut (mains outage) has occurred. ■ Rectify the cause of the alarm. The alarm symbol  goes out and the sensor for the freezer section lights up again constantly. The alarm will stop. <ul style="list-style-type: none">■ Depending on the temperature displayed, you should check whether food in the freezer has started to thaw or has defrosted. If it has, it should be used as soon as possible. Defrosted food may only be re-frozen after it has been cooked.

Problem solving guide

Message	Cause and remedy
 lights up in the display and an audible tone also sounds.	There is not enough water in the water container. <ul style="list-style-type: none"> ■ Fill the water container with fresh tap water.
	The drawer of the ice cube maker is not closed properly. <ul style="list-style-type: none"> ■ Push the drawer all the way in.
	The water container is not fitted correctly. <ul style="list-style-type: none"> ■ Push the water container into the appliance, making sure it clicks into position correctly.
 lights up in the display.	The Replace filter reminder setting has been activated. This is the reminder to change the filter (Active AirClean). <ul style="list-style-type: none"> ■ Replace the filter in the holder (see “Cleaning and care - Replacing the filter”). ■ Reset the counter (see “Selecting further settings - Filter replacement indicator ”).
The power failure symbol , appears in the display and the alarm tone sounds. The temperature display will show the warmest temperature recorded in the freezer during a power failure or an interruption to the power supply.	Indication of an power failure  : the temperature in the appliance over the last few days or hours has risen too high because of a power failure or interruption to the power supply. The appliance will go back to the last temperature setting when the power is back on. <ul style="list-style-type: none"> ■ Press the Alarm off button. The warmest temperature displayed will disappear. The display will then revert to showing the current temperature in the freezer section. <ul style="list-style-type: none"> ■ Depending on the temperature displayed, you should check whether food in the freezer has started to thaw or has defrosted. If it has, it should be used as soon as possible. Defrosted food may only be re-frozen after it has been cooked.
“F0 to F9” appears in the display.	There is a fault. <ul style="list-style-type: none"> ■ Call the Miele Service Department.
“FE” appears in the display.	There is a fault. <ul style="list-style-type: none"> ■ Call the Miele Service Department.

Problem solving guide

Message	Cause and remedy
The  symbol lights up in the display, the appliance does not get cold, although the controls and the interior lighting are working.	Demo mode is switched on. This allows the appliance to be presented in the showroom without the cooling system being switched on. Do not activate this setting for domestic use. ■ Switch off Demo mode (see “Information for dealers - Demo mode”).



Problems with the ice cube maker

Problem	Cause and remedy
The ice cube maker will not switch on.	<p>The appliance is not connected to the power supply or is not switched on.</p> <ul style="list-style-type: none">■ Reconnect to the mains and switch the appliance back on.
The ice cube maker is not producing any ice cubes.	<p>The appliance or the ice cube maker is not switched on.</p> <ul style="list-style-type: none">■ Switch on the appliance and the ice cube maker.
	<p>The ice cube drawer is not closed properly.</p> <ul style="list-style-type: none">■ Push the drawer in properly.
	<p>There is not enough water in the water container.</p> <ul style="list-style-type: none">■ Fill the water container with fresh tap water.
	<p>The water container is not sitting correctly.</p> <ul style="list-style-type: none">■ Push the water container into the appliance correctly, making sure it clicks into position.
	<p>The ice cube tray is not in the correct position.</p> <ul style="list-style-type: none">■ Correct the position of the ice cube tray.
	<p>The temperature in the freezer section is too high.</p> <ul style="list-style-type: none">■ Select a lower temperature.
The ice cube maker is only producing small ice cubes.	<p>The size of the ice cubes produced depends on the volume of the water intake which you can set according to your requirements</p> <ul style="list-style-type: none">■ Lengthen the water intake time for the ice cube maker.



Problem solving guide

Problem	Cause and remedy
The ice cubes taste or smell odd.	The ice cube maker is in continuous use and should be cleaned regularly. ■ Rinse the ice cube maker and water supply pipework regularly (see “Cleaning and care - Rinsing the ice cube maker”).
	The ice cube maker has been used very infrequently. Ice cubes that are stored for a long period can absorb the taste and smell of other items. ■ Empty the ice cube drawer if you are not going to use the ice cube maker for a long period of time. ■ Rinse the ice cube maker and water supply pipework regularly (see “Cleaning and care - Rinsing the ice cube maker”).
	Unwrapped food is being stored in the freezer. Ice can absorb the taste and smell of unwrapped food. ■ Only store food which has been wrapped in the freezer section.
	The ice cube drawer is dirty. ■ Clean the ice cube drawer.

The interior lighting is not working.

Problem	Cause and remedy
<p>The interior lighting is not working.</p>	<p>The appliance has not been switched on.</p> <ul style="list-style-type: none"> ■ Switch the appliance on.
	<p>Sabbath mode is switched on: the display is dark and the appliance is cooling.</p> <ul style="list-style-type: none"> ■ Touch the settings sensor to quit the Sabbath mode. <p>The temperature will then appear in the display and the interior lighting will come on (see “Selecting further settings” – “Switching Sabbath mode on/off”).</p>
	<p>To avoid overheating, the lighting switches itself off automatically after approx. 15 minutes if the door is left open. If this is not the case, then there is a fault.</p>
	<div style="border: 1px solid gray; padding: 5px; margin-bottom: 10px;"> <p> Danger of electric shock. There are live electrical components under the lighting cover. The LED lighting may only be repaired or replaced by a Miele authorised service technician.</p> </div> <div style="border: 1px solid gray; padding: 5px;"> <p> Danger of injury from LED lighting. Light intensity corresponds to laser beam class 1/1M. The lighting covers must not be removed or damaged, or be removed due to damage. This could cause injury to your eyes. Do not look into the LED lighting (laser beam class 1/1M) with optical instruments (e.g. magnifying glass or similar).</p> </div> <ul style="list-style-type: none"> ■ Call Miele.

Problem solving guide

Problem	Cause and remedy
<p>The LED lighting on one of the adjustable shelves is not working.</p>	<p>The shelf has not been positioned correctly on the shelf supports.</p> <ul style="list-style-type: none"> ■ Check that the shelf is positioned correctly on the shelf supports. The shelf has a metal disc (contacts) at the front left corner which supply power to the LED lighting. ■ Push the shelf in until it clicks into position.
	<p>The metal disc is not clean and dry.</p> <ul style="list-style-type: none"> ■ Clean it with a damp cloth and then dry with a lint-free cloth.
	<p>The LED lighting on the stainless steel trim is faulty.</p> <div style="border: 1px solid gray; padding: 5px; margin-bottom: 10px;"> <p> Risk of electric shock. There are live electrical components under the lighting cover. The LED lighting may only be repaired or replaced by Miele Service.</p> </div> <div style="border: 1px solid gray; padding: 5px; margin-bottom: 10px;"> <p> Risk of injury from LED lighting. The light intensity corresponds to laser beam class 1/1M. The lighting covers must not be removed or damaged, or be removed due to damage. This could cause injury to your eyes. Do not look into the LED lighting (laser beam class 1/1M) with optical instruments (e.g. magnifying glass or similar).</p> </div> <ul style="list-style-type: none"> ■ Replace the adjustable shelf with LED lighting. A replacement is available from Miele Service.

Problem solving guide

Problem	Cause and remedy
The LED lighting is not working on any of the shelves.	<p>Liquid has been spilt onto the LED lighting on one of the shelves or the metal discs (contacts) in the left-hand shelf supports.</p> <p>The safety switch-off mechanism has switched off the LED lighting on all the shelves.</p> <ul style="list-style-type: none">■ Wipe the stainless steel trim with LED lighting with a damp cloth and dry it or leave it outside the appliance to dry. Clean the metal discs (contacts) in the shelf supports in the same way.■ Make sure that the contacts are clean and dry before replacing the shelves with LED lighting.■ Push the shelf in until it clicks into position.■ Close the appliance door. <p>The interior lighting will come on when the door is opened again.</p> <hr/> <p>If this is not the case, then there is a fault.</p> <ul style="list-style-type: none">■ Call Miele.

Problem solving guide

Other problems

Problem	Cause and remedy
The door to the freezer zone will not open because it has been opened and closed too many times in succession.	This is not a fault. The suction caused by opening and closing the door is preventing the door from opening. Wait approx. 1 minute and then try again. It should now open without force.
The floor of the refrigerator section is wet.	The condensate drain hole is blocked. ■ Clean the condensate channel and drain hole.
There is no audible alarm although the door has been open for a long time.	This is not a fault. The alarm tone has been switched off in settings mode (see “Selecting further settings – Audible signals 🎵”).
The external walls of the appliance feel warm.	This is not a fault. The heat created by the evaporator is used to prevent condensation.

Normal noises	What causes them
Brrrrr ...	A humming noise is made by the motor (compressor). This noise can get louder for brief periods when the motor switches on.
Blubb, blubb ...	A gurgling noise can be heard when coolant is circulating through the pipes.
Click ...	Clicking sounds are made when the thermostat switches the motor on and off.
Sssrrrrr ...	You can sometimes just hear the sound of the fan inside the appliance.
Crack ...	A cracking sound can be heard when materials expand inside the appliance.
Remember that the noise of the compressor and the coolant circulating in the system is unavoidable.	

Noises	Cause and remedy
Rattling, vibrating	The appliance is uneven. Realign the appliance using a spirit level. Do so by raising or lowering the screw feet underneath the appliance or place something underneath it.
	The appliance is touching another appliance or piece of furniture. Move it away.
	Drawers or shelves are unstable or sticking. Check all removable items and refit them correctly.
	Bottles or containers are touching each other. Separate them.
	The transport cable clips are hanging loose at the back of the appliance. Remove them.

Service

Contact in case of malfunction

In the event of any faults which you cannot remedy yourself, please contact your Miele Dealer or Miele Service.

Contact information for Miele Service can be found at the end of this document.

Please note that telephone calls may be monitored and recorded for training purposes and that a call-out charge will be applied to service visits where the problem could have been resolved as described in this booklet.

Please quote the model and serial number of your appliance when contacting Miele. This information can be found on the data plate.

The data plate can be found inside the appliance.

Warranty

The appliance warranty is valid for 2 years from date of purchase. In the UK, you must activate your cover by calling 0330 160 6640 or registering online at www.miele.co.uk.

For more information on country-specific warranty terms and conditions, please contact Miele Customer Service.


Demo mode

The appliance can be demonstrated in the showroom or at exhibitions in “Demo mode”. In this mode the control panel and interior lighting are active but the compressor remains switched off, so that the appliance does not cool down.

Switching on demo mode



- Switch the appliance off by touching the On/Off sensor.
If this does not work, the safety lock is activated.

The temperature display will go out and the mains connection symbol  will appear.





- Place your finger on the ∇ sensor, and leave it there.



- At the same time, briefly touch the On/Off sensor (without letting go of the ∇ sensor).



- Leave your finger on the ∇ sensor until the  symbol appears in the display.
- Then release the ∇ sensor.

Demo mode is turned on and the  symbol is illuminated in the display.


Information for dealers

Switching off Demo mode


The  symbol is lit up in the display.



- Touch the settings sensor.



All symbols available for selection will appear in the display and the  symbol flashes.




- Touch the sensors for setting the temperature (∇ or \wedge) repeatedly until the  symbol flashes.



- Touch the OK sensor to confirm your selection.


 flashes in the display (means: Demo mode is switched on) and the  symbol lights up.



- Touch the ∇ or \wedge sensor until  appears (means: Demo mode is switched off).




- Touch the OK sensor to confirm your selection.

The selected setting is applied, the  symbol flashes.




- Touch the settings sensor to leave settings mode. Otherwise the appliance exits settings mode automatically after approximately one minute.

Demo mode is switched off, the  symbol goes out.


Installation

Location

 Danger of damage and injury due to the refrigeration appliance tipping over.

This refrigeration appliance must be built in, otherwise it could tip over.

Keep the appliance door(s) shut until the refrigeration appliance has been built in and secured in its housing in accordance with these operating and installation instructions.

 Fire risk and risk of damage from appliances which give off heat.

Appliances which give off heat can catch fire and set fire to the refrigeration appliance.

This refrigeration appliance must not be installed underneath a hob.

This appliance should be installed in a dry, well-ventilated room.

When deciding where to install your refrigeration appliance, please bear in mind that it will use more energy if installed near to a heater, a cooker or other appliance that gives off heat. Direct sunlight should also be avoided. The higher the room temperature, the longer the compressor runs and the higher the energy consumption is.

When installing the refrigeration appliance, please note:

- The socket must be easily accessible in an emergency, not concealed behind the appliance.

- The plug and power cable must not touch the rear of the refrigeration appliance as they could be damaged by vibrations from the appliance.
- Do not plug in other appliances behind this refrigeration appliance.

Installation

⚠ Risk of damage due to high humidity.

In environments with high humidity, condensation can build up on external panels of the refrigeration appliance, which can cause corrosion.

Install the refrigeration appliance in a dry and/or air-conditioned room with sufficient ventilation.

After installation, make sure that the appliance doors close properly, the ventilation gaps are not covered and that the appliance has been installed in accordance with these operating and installation instructions.

Climate range

The appliance is designed for use within a certain climate range (ambient temperatures) and should not be used outside this range. The climate range of the appliance is stated on the data plate inside the appliance.

Climate range	Ambient room temperature
SN	+10 to +32 °C
N	+16 to +32 °C
ST	+16 to +38 °C
T	+16 to +43 °C

Operating in a room which is too cold will cause the compressor to switch off for too long, causing the internal temperature in the appliance to rise with the risk of food deteriorating and going off.

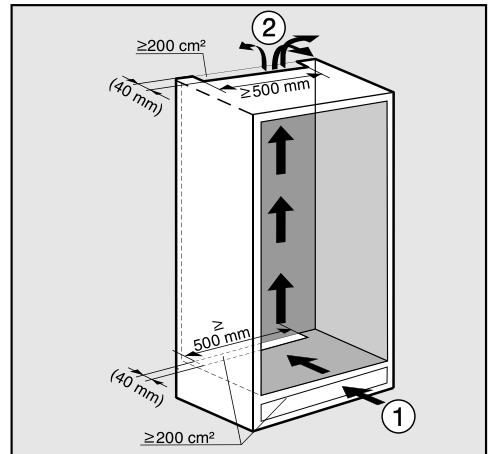
Ventilation

⚠ If the ventilation gaps given are not observed, the compressor will run more frequently and for longer periods.

This will result in increased energy consumption and a higher operating temperature for the compressor. This may, in turn, cause damage to the compressor.

It is essential to observe the ventilation gaps given.

Air at the back of the appliance gets warm. The appliance housing unit must therefore be constructed to allow sufficient space for ventilation (see “Building-in dimensions”).



- Air intake ① occurs via the plinth at the bottom of the appliance and the air escapes at the top ② at the back of the housing unit.
- A ventilation gap of at least 40 mm depth must be allowed for behind the appliance for air to circulate.

- The ventilation cross-sections in the plinth, housing unit and above the appliance must each provide an unobstructed airflow of at least 200 cm^2 to ensure that air can circulate without hindrance.

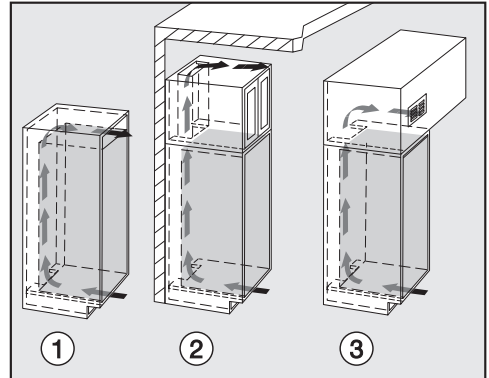
If ventilation grilles are to be inserted into the ventilation gaps, the ventilation gaps must be larger than 200 cm^2 . The unobstructed airflow of 200 cm^2 is calculated by adding up the total area of ventilation openings in the grilles.

- Important! The appliance uses less energy, the larger the ventilation gaps.

The air inlet and outlet must not be covered or blocked in any way. They must also be regularly cleaned of dust.

Top ventilation gap

The ventilation gap at the top of the appliance can be constructed in different ways:



- ① directly above the appliance with a ventilation grille (free airflow of at least 200 cm^2)
- ② between the kitchen furniture and the ceiling
- ③ in a suspended ceiling

Installation

Furniture door panel

Horizontal and vertical gaps

Depending on the style of kitchen furniture the thickness and edge radius of the furniture door and the gap that runs around the door, vertically and horizontally, are specified.

It is essential to pay attention to the following!

– Horizontal gap

The gap between the appliance furniture door and the housing unit door above or below it must be at least 3 mm.

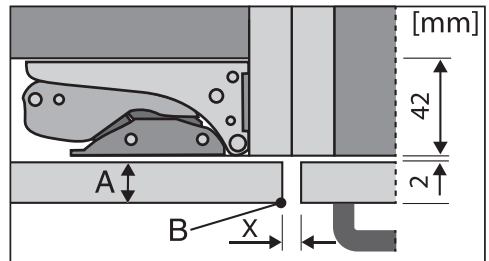
– Vertical gap

If the gap between the appliance furniture door and the adjoining housing unit door or wall on the hinged side is too small, the appliance door could collide with the adjoining housing unit door or wall when opened.

It may be necessary to adjust the size of this gap to suit the thickness and edge radius of the appliance furniture door.

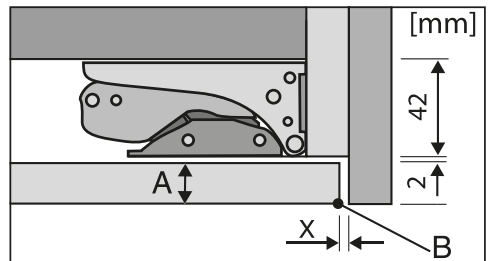
This must be taken into consideration when planning your kitchen and when replacing an old appliance with a new one to ensure the installation conditions required are met.

Appliance furniture door thickness A [mm]	Gap X [mm] for different edge radii B			
	R0	R1.2	R2	R3
≥16 - 19	Min. 3			
20	5	4	4	3.5
21	5.5	5	4.5	4
22	6.5	6	5.5	5



Adjoining kitchen furniture front

A = Furniture front thickness
 B = Edge radius
 X = Gap




Adjoining side wall

A = Furniture front thickness
 B = Edge radius
 X = Gap

Tip: Fit a spacer between the housing unit carcass and the side wall. This way you will get a sufficiently wide gap.

Weight of the furniture door

 If the furniture door panel is too heavy, this can cause damage. Fitting a furniture door panel which is heavier than the maximum permitted weight could damage the hinges. This can cause subsequent functional problems.

Before fitting furniture doors, ensure that the weight of the door does not exceed the maximum permitted:

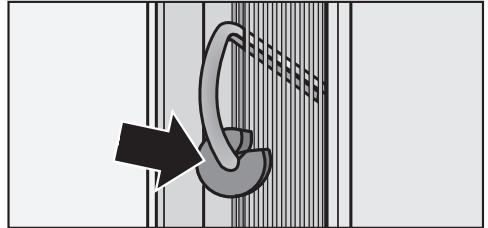
Appliance	Upper door in kg	Lower door in kg
KFN 37452 iDE	17	12

When fitting large or divided furniture doors, an extra fitting kit or set of fixing brackets should be used. These are available to order from the Miele Customer Service department or dealers.

If your old appliance had a different type of hinging, the furniture door can still be used. Remove the old hinges from the housing unit. They are no longer required because the furniture door will now be fitted to the appliance door. All the necessary parts are supplied or can be ordered from the Miele Customer Service Department.

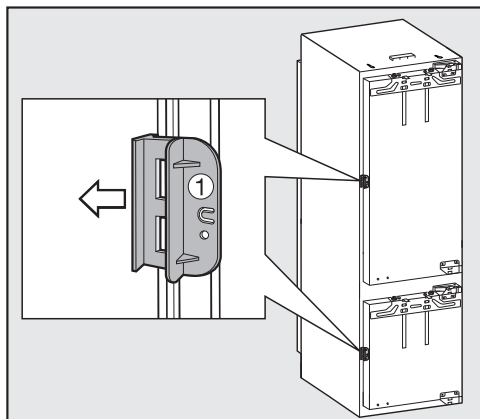
Before installing the appliance

- Take the accessory pack which includes installation parts and other accessories out of the appliance and remove the packaging strap holding the door in place.
- **Do not remove** the following from the back of the appliance:



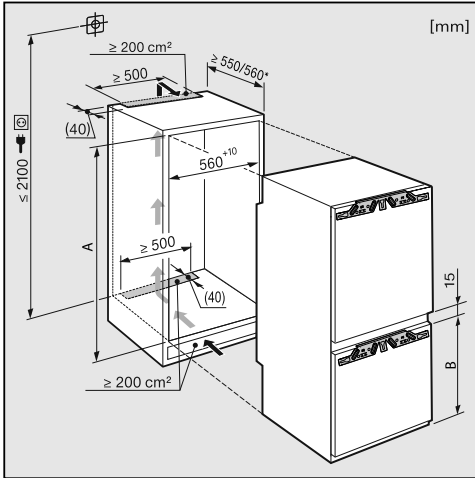
- The spacers (depending on model) These ensure the gap required between the back of the appliance and the wall is maintained.
- The bags (depending on model) located inside the metal grille (heat exchanger). These are important for the correct functioning of the appliance. Their contents are non-toxic and are not dangerous.
- Remove the cable clip from the back of the appliance.

Installation



- Open the appliance door and remove the red safety catch ① (depending on model).

Building-in dimensions



* The declared energy consumption was calculated in a 560 mm deep niche. The appliance is fully functional in a 550 mm niche but the energy consumption will be slightly higher.

Before installation, ensure the housing unit is the correct size. The specified ventilation cross-sections must be maintained in order to ensure the correct functioning of the appliance.

	Niche height [mm] A	Freezer section [mm] B
KFN 37452 iDE	1772 – 1788	695

Installation

Limiting the opening angle of the appliance doors

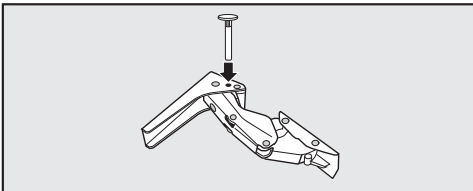
The door hinges are set to enable the appliance doors to be opened wide.

However, if the opening angle of the doors needs to be limited for any reason, the hinge can be adjusted to accommodate this.

If, for example, the appliance doors hit an adjacent wall when they are opened, you should limit the opening angle of the appliance doors to approx. 90°.

The locking pins for limiting the door opening must be fitted before the refrigeration appliance is installed.

The refrigerator section door must be taken off in order to insert the pins into the upper hinge of the freezer section door.



- Insert the locking pins supplied for limiting the door opening into the hinges from above.

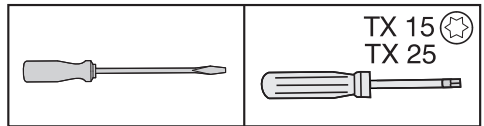
The appliance door opening angle is now limited to approx. 90°.

Changing the door hinging

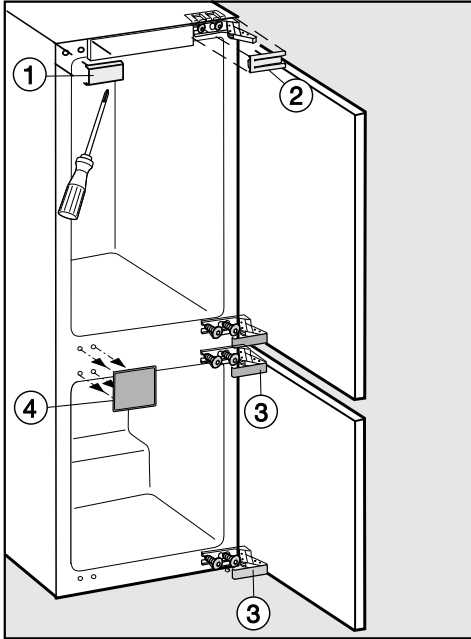
Two people are needed for changing the door hinging.

The appliance is supplied right-hand hinged. If left-hand hinging is required, the hinges must be changed.

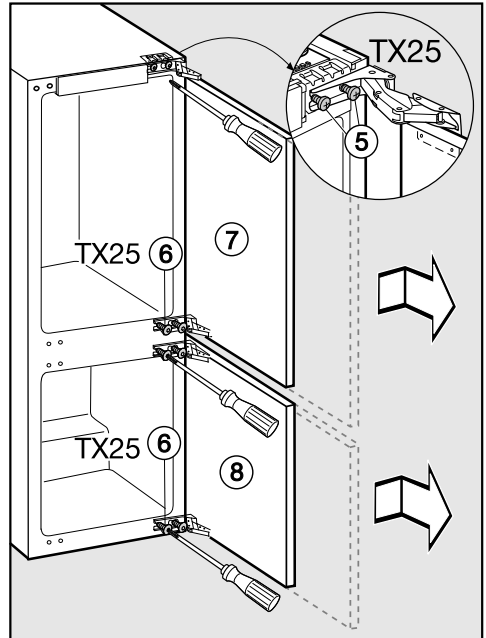
To change the door hinging, you will need the following tools:



- Open both appliance doors.
- Remove the shelves and bottle shelf from the door.



- Remove covers ①, ②, ③ and ④.

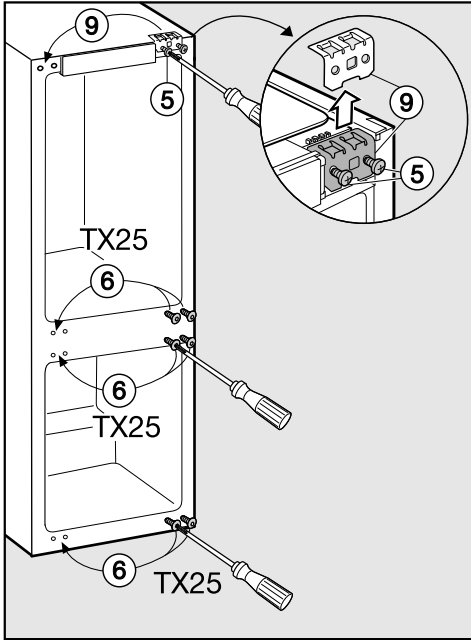


Danger of injury! Do not close the hinges.

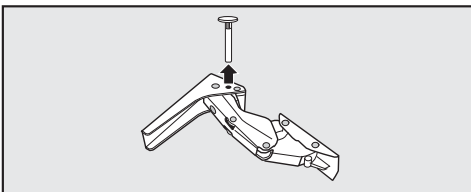
Leave them open.

- Slightly loosen screws ⑤ and ⑥ in the hinges.
- Push doors ⑦ and ⑧ outwards and take them off their hinges.

Installation



- Undo screws ⑤ completely.
- Fit bracket ⑨ on the opposite side and loosely fit screws ⑤.
- Remove screws ⑥ completely and loosely screw them in on the opposite side.



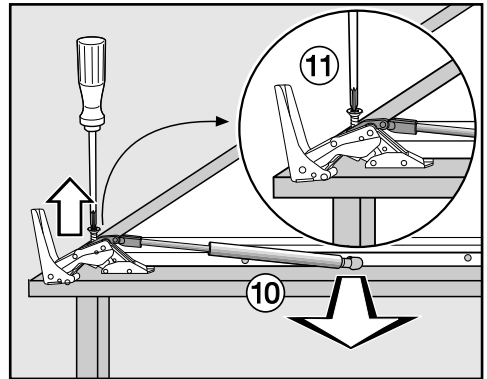
- If you have put locking pins into the hinges to stop the door opening too far:
remove the locking pins from the top of the hinges.

Carry out the following steps on both doors.

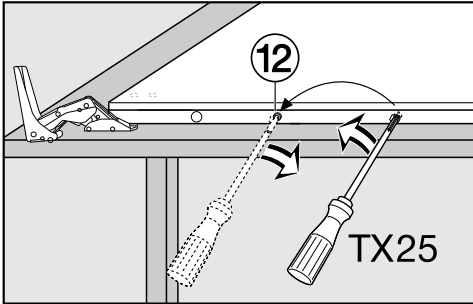
To remove the soft-close mechanism

⚠ Warning. The soft-close mechanism snaps shut when dismantled.
Danger of injury.

- Place the door with the outer side downwards on a stable surface.



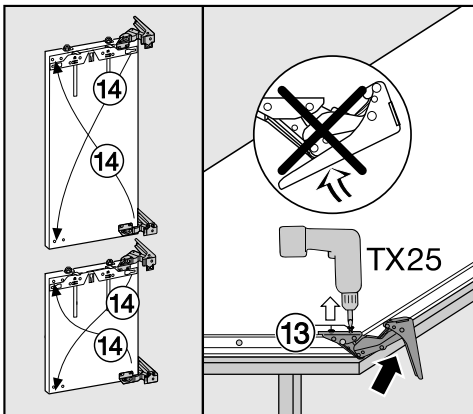
- Remove the soft-close mechanism ⑩ from the ball joint.
- Unscrew holder ⑪ and remove the soft-close mechanism ⑩.



- Undo ball joint ⑫ using a screwdriver and reposition and secure it as shown.
- Now turn the appliance door over so that the outer side is now facing upwards (the hinges remain open).

Danger of injury.

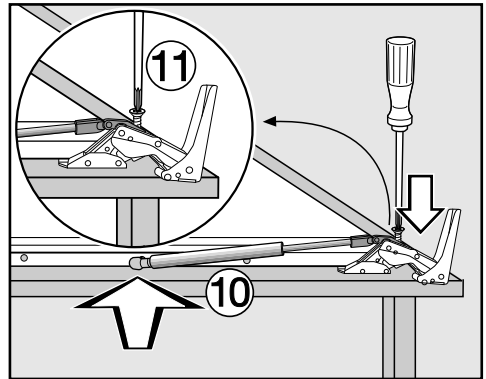
Do not close the hinges.



- Remove screws ⑬ completely.
- Replace the hinges in their diagonally opposite corners ⑭.

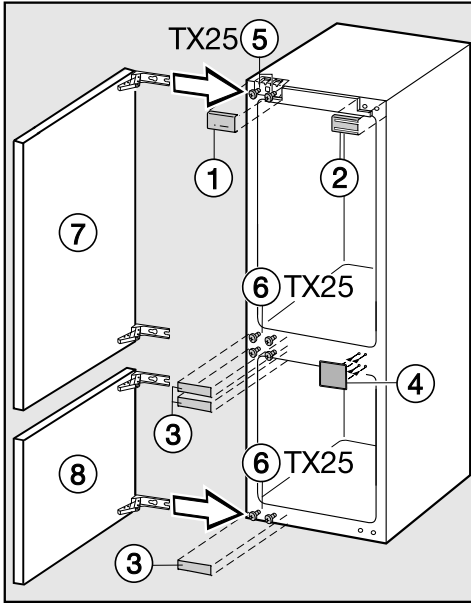
To secure the soft-close mechanism

- Turn the appliance door over again so that the outer side is now facing downwards.

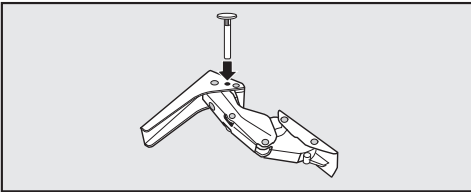


- Screw holder ⑪ onto the hinge and tighten securely.
- Open out soft-close mechanism ⑩ and hook it into the ball joint.

Installation



- Push appliance doors ⑦ and ⑧ onto the pre-fitted screws ⑤ and ⑥, then tighten the screws ⑤ and ⑥.
- Replace covers ①, ②, ③ and ④.

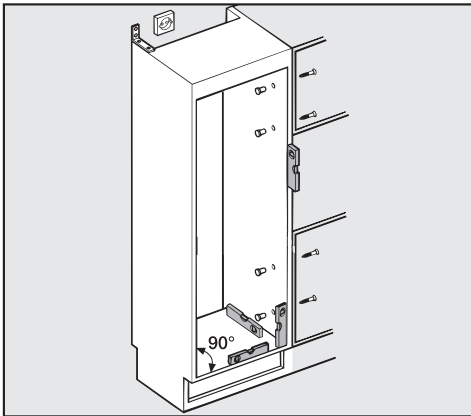


- Refit the locking pins into the top of the hinges to prevent the doors opening too far.

Installing the appliance

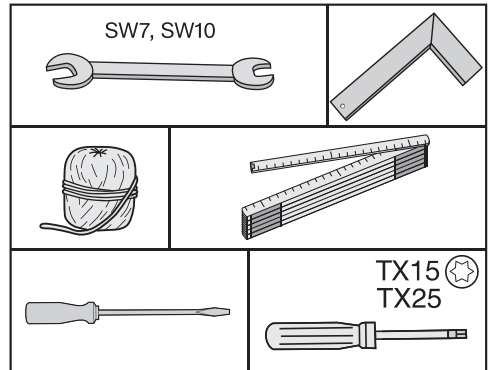
Two people are required for installing the appliance.

- Install the appliance in a stable, solid housing unit, positioned on an even and level floor.
- Secure the housing unit against tipping.



- Use a spirit level to align the housing unit. The corners of the housing unit must be at 90° angles to each other, otherwise the door will not sit straight on all 4 corners.
- The required ventilation gaps must be provided (see “Installation” – “Installation notes”).

To install the appliance, you will need the following tools:

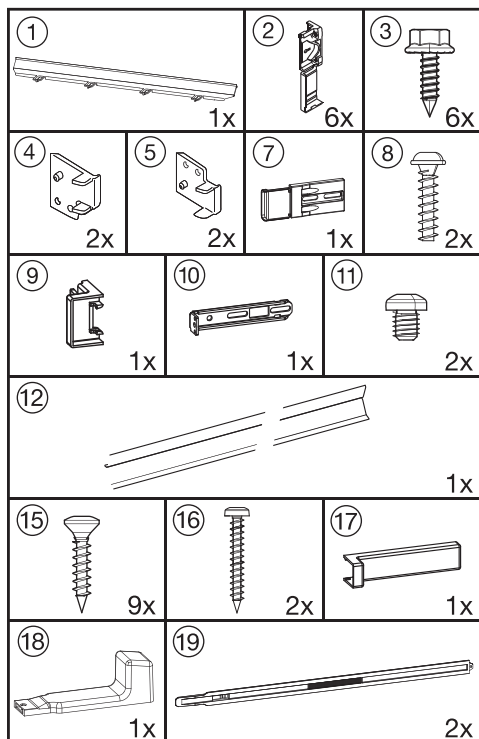


Installation

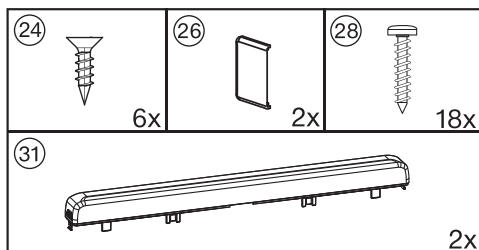
Parts required for installation:

All installation parts are number coded. This coding is also used in the installation instructions.

– For installing the appliance in its housing unit:



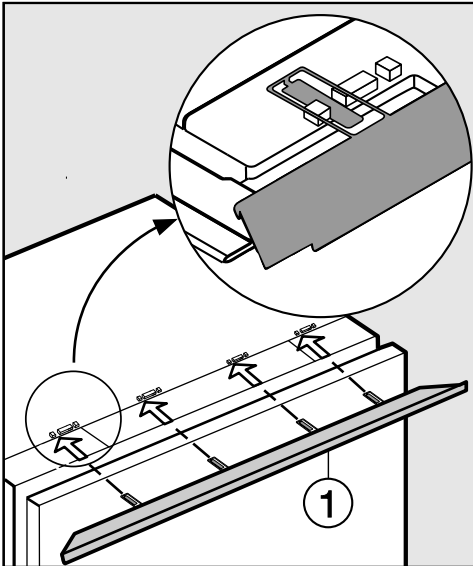
– For fitting the furniture doors:



All fitting instructions given are for a right-hand hinged appliance. If you have converted the appliance to left-hand hinging, you will need to adapt these instructions accordingly.


Preparing the appliance

- Position the appliance in front of the housing unit.



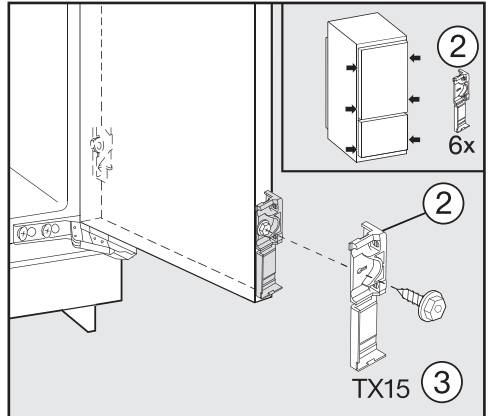
- Slide the cover strip ① into the holders as shown.

If the appliance is hinged on the left, slide the tabs of the cover strip into the right-hand opening of the holder.

 Risk of damage to the fixing bracket and cover.

The cover on the fixing bracket can easily become detached.

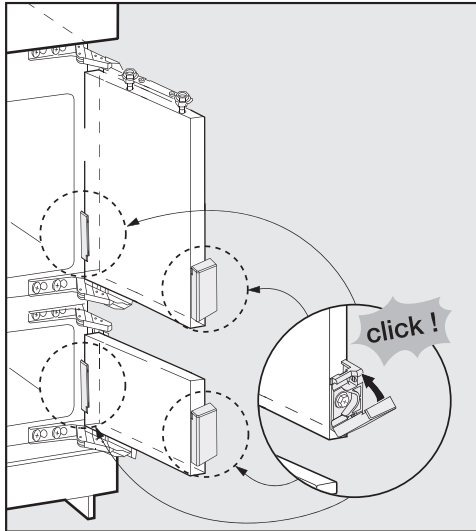
Always close the cover as soon as you have finished working on the bracket.



- Loosely screw the fixing brackets ② into the pre-drilled holes in the appliance door using hex screws ③.

Tip: Secure a pair of fixing brackets in the handle area of the door.

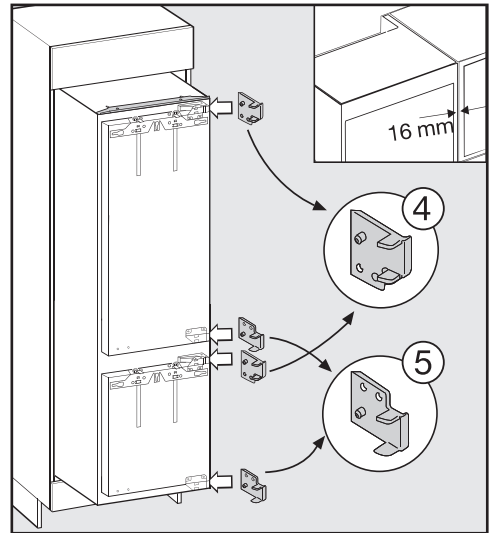
Installation



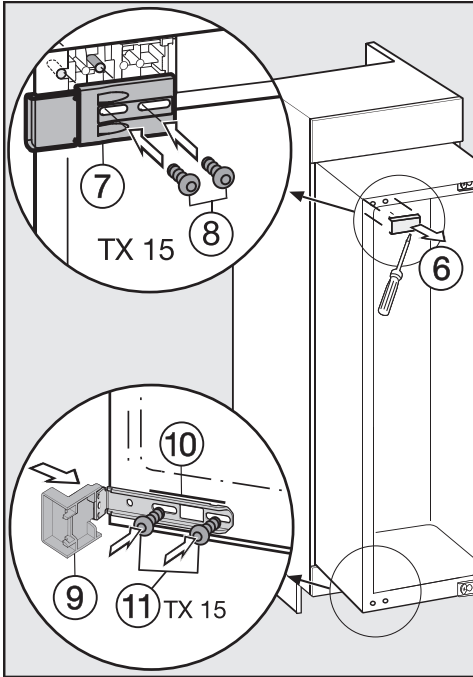
- Close the covers.
- Push the appliance two thirds of the way into the building-in niche. When pushing the appliance into its niche, make sure that the mains cable does not get trapped.

Tip: To help you push it into position, tie a piece of string around the plug to “lengthen” the power cable. Then pull the cable by the end of the string through the housing unit. It will then be easier to connect once the appliance is in the unit.

With 16 mm thick unit walls only:



- Clip spacers ④ and ⑤ on the right-hand side of the hinges.
- Open both appliance doors.

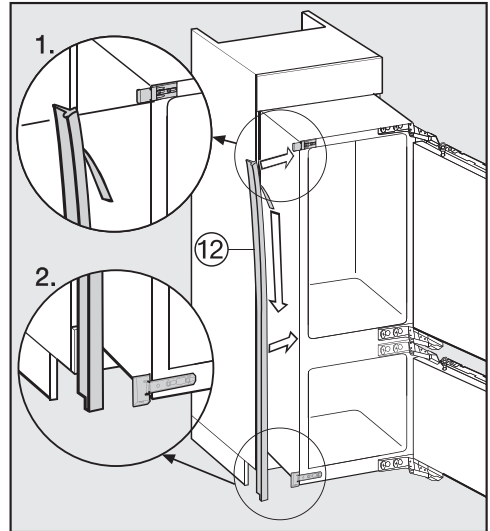


- Remove the cover (6).
- Loosely fit the connecting bracket (7) using the screws (8).

Tip: Do not tighten the screws so that you can adjust the position of the connecting bracket.

- Fit the stopper (9) onto the fixing bracket (10).
- Loosely fit the fixing bracket (10) using the screws (11).

Tip: Do not tighten the screws so that you can adjust the position of the connecting bracket.



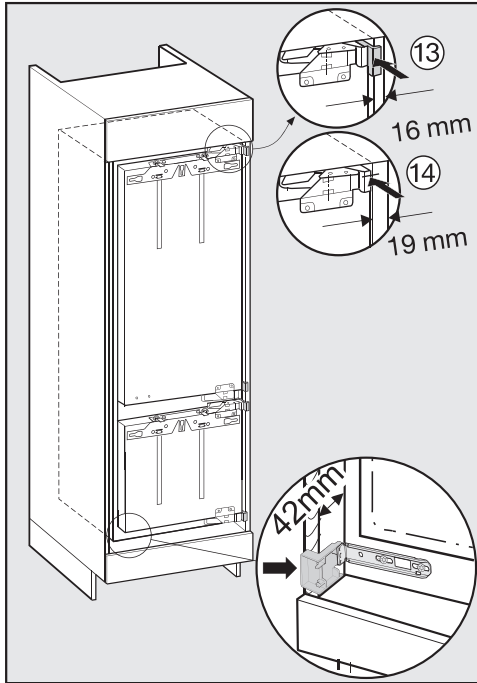
- Carefully remove the protective foil from the sealing strip (12).
 - Fix the sealing strip (12) flush with the front of the appliance on the door opening side.
1. Position the sealing strip flush with the lower edge of the top connecting bracket.
 2. Stick it down along its entire length.

Installing the appliance

If the appliance is pushed too far into the niche, the doors may not close properly once the furniture doors have been fitted. This can cause ice to build up, condensate to accumulate and lead to faults in the appliance. These can all lead to increased energy consumption.

Push the appliance into the building-in niche making sure a gap of **42 mm** is maintained all round between the appliance carcass and the front of the housing unit side walls.

Installation



- Push the appliance into the niche until all fixing brackets at the top and bottom are in line with the front edge of the housing unit side wall.
- ⑬ **With 16 mm thick walls:**
The spacers should touch the front edge of the housing unit side walls at the top and bottom.
- ⑭ **With 19 mm thick walls:**
The front edges of the top and bottom hinges should be flush with the front edge of the housing unit side wall.

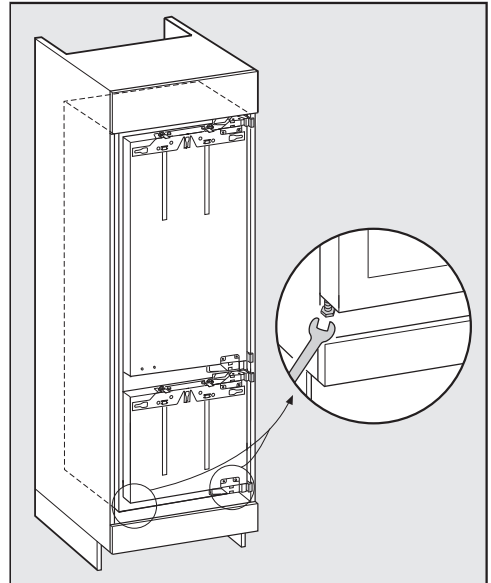
This will create a gap all round of **42 mm** to the front edges of the housing unit side walls.

Important for furniture with door fittings (e.g. stubs, seals, etc.).
Take the dimensions of the fittings into account.

Check to make sure there is a gap all round of **42 mm** to the front edges of the door fittings.

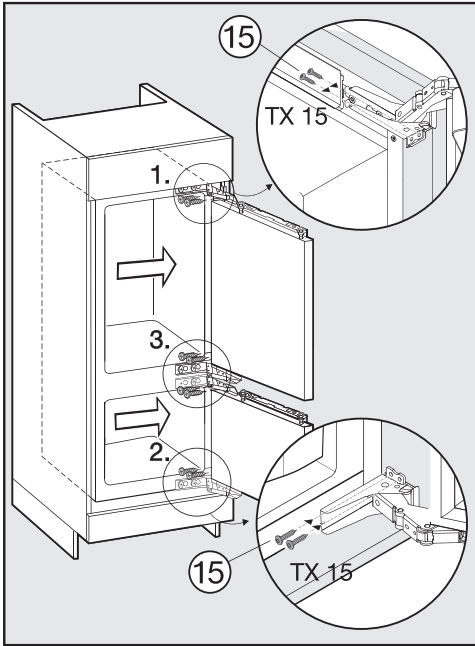
- Pull the refrigeration appliance forwards by the appropriate dimension.

Tip: If possible, remove the door fittings and push the refrigeration appliance into the niche until all fixing brackets at the top and bottom are touching the front edge of the housing unit side wall.

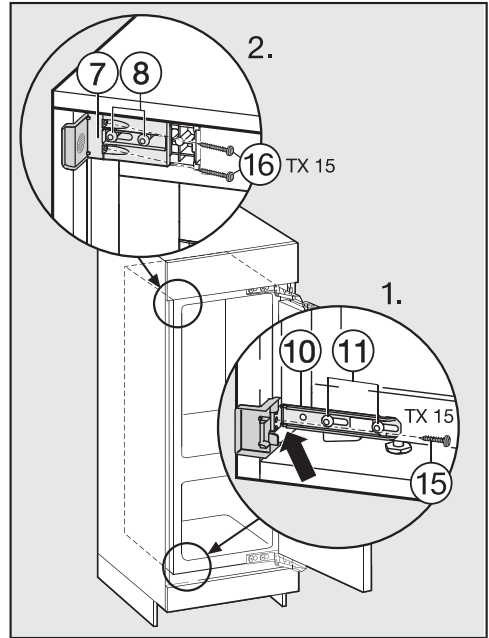


- Align the appliance on both sides by altering the adjustable feet using the spanner supplied.

Securing the refrigeration appliance in the niche



- Press the appliance against the side of the housing unit on the hinge side.
- Screw the chipboard screws (15) through the hinge plates in the order shown to secure the appliance to the housing unit.



- Push the loose fixing brackets against the housing unit wall.
- Secure the fixing bracket (10) to the housing unit side wall with the screw (15).

Tip: Pre-drill the hole.

The appliance must not pull back into the unit, as otherwise the gap of 42 mm will not be maintained all the way round.

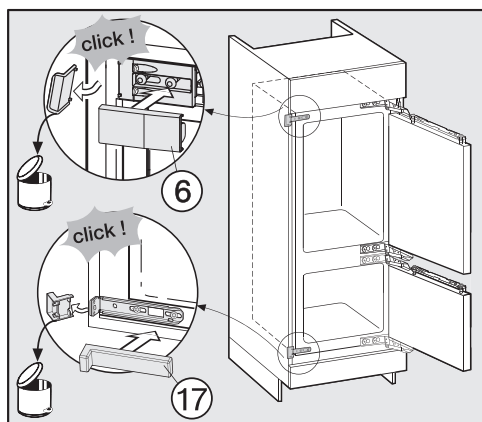
Using your thumb, push the protruding bracket towards the housing unit wall whilst tightening the screws.

- Secure the fixing bracket (7) to the housing unit side wall with the screws (16).

Tip: Pre-drill the holes.

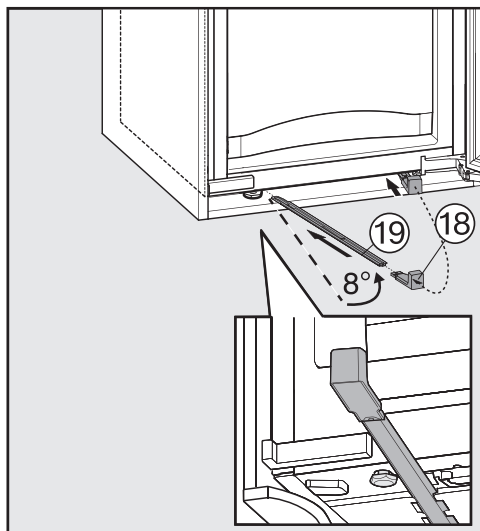
- Re-tighten screws (8) and (11).

Installation



- Snap off any protruding ends from the fixing brackets. They are no longer required and can be disposed of.
- Replace covers ⑥ and ⑰ on the fixing brackets.

To enhance the stability of the appliance in the unit, push the rods supplied in underneath the appliance between it and the floor of the housing unit:



- First secure the handle ⑱ to one of the stabilising rods ⑲.
- Push the stabilising rod ⑲ into the guide hole as far as it will go. Remove the handle ⑱, fit it to the other rod supplied and push this into its guide as far as it will go.

Tip: Keep the handle somewhere safe in case you ever need to fit the appliance into a new housing unit.

- Close the appliance doors.

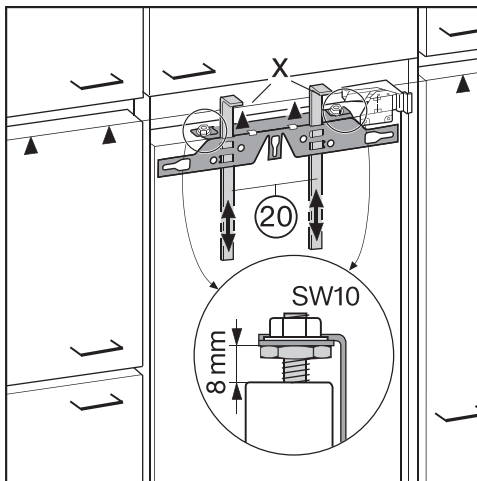
Fitting the furniture doors

The upper edge of the appliance furniture doors should be aligned with the height of the furniture doors of the adjacent kitchen units.

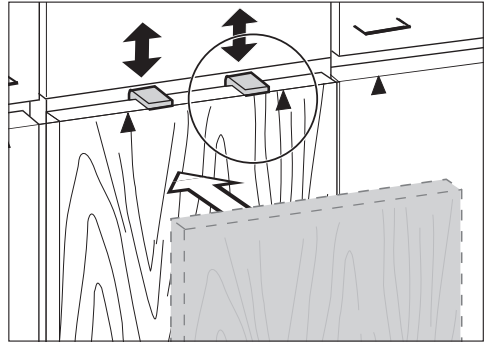
The furniture doors must be mounted free of tension.

The following chapter describes the installation of furniture doors with a furniture front of at least 16-19 mm thickness.

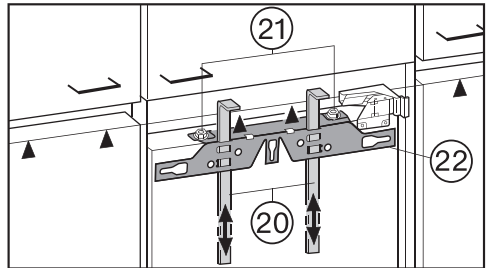
Carry out the following steps on both doors.



- The distance between the appliance door and the fixing bracket is set to 8 mm at the factory. Check this distance and adjust it if necessary.
- Push the fitting aids ⑳ up to the height of the furniture door: the lower edge X of the fitting aids must be at the same height as the upper edge of the furniture door being fitted (see ▲ in diagram).



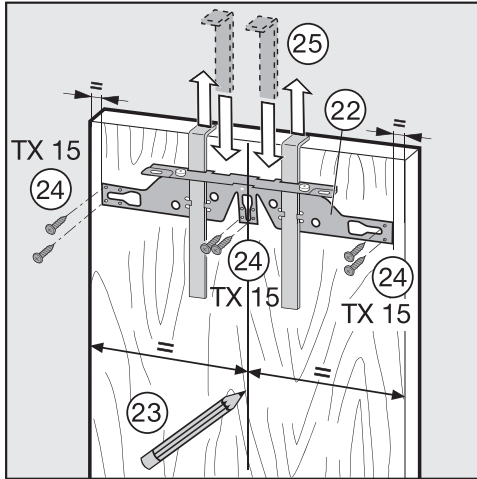
Tip: Push up the fitting aids with the furniture front until they are at the same height as the doors of adjacent kitchen units.



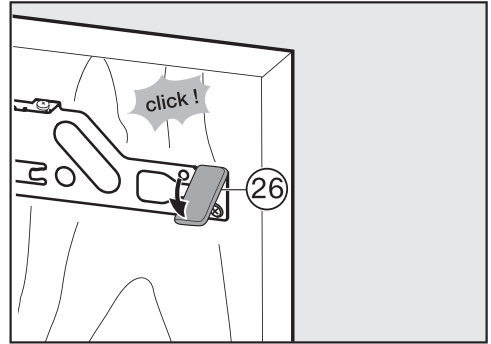
- Undo the nuts ㉑ and take the fixing bracket ㉒ off together with the fitting aids ㉓.

Installation

- Place the furniture door with the outer side downwards on a stable surface.

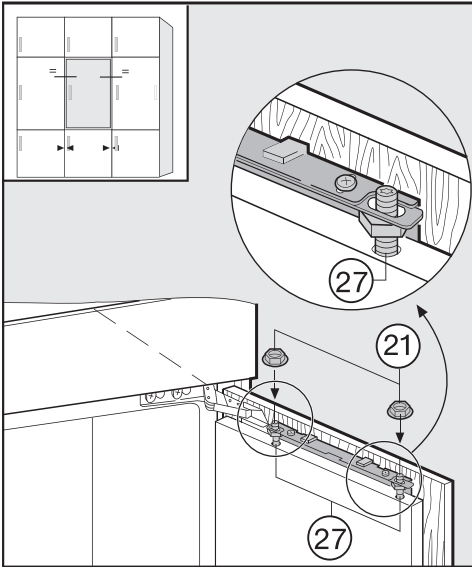


- Using a pencil, lightly mark a line down the centre of the inside of the furniture door (23).
 - Hang the fixing bracket (22) with the fitting aids onto the **inside** of the furniture door. Align the fixing bracket centrally.
 - Attach the fixing bracket securely using at least 6 short chipboard screws (24). (On cassette doors only use 4 screws on the edges).
- Tip:** Pre-drill the holes.
- Pull the fitting aids upwards to remove them (25). Turn them around and fit them into the middle slots on the fixing bracket for safe keeping.



- Slide the side cover (26) onto the fixing bracket on the side opposite the hinge.
- Turn the furniture door over and attach the handle (if required).

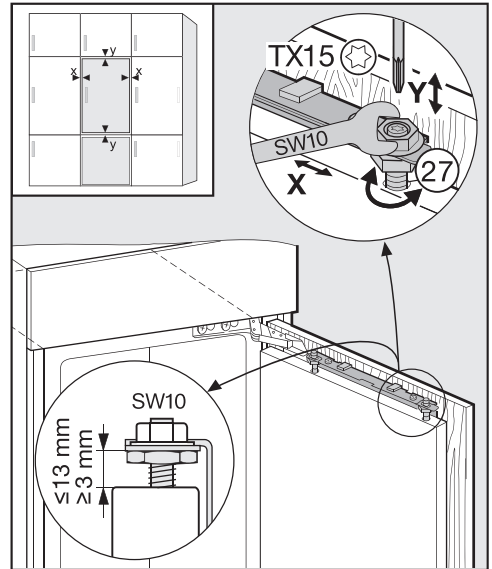
- Open the appliance door.



- Hang the furniture door onto the adjusting bolts (27).
- Loosely attach the nuts (21) on the adjusting bolts.

Aligning the door

Check the distance between the door and adjacent furniture doors. The distance should be the same.



X: side adjustments

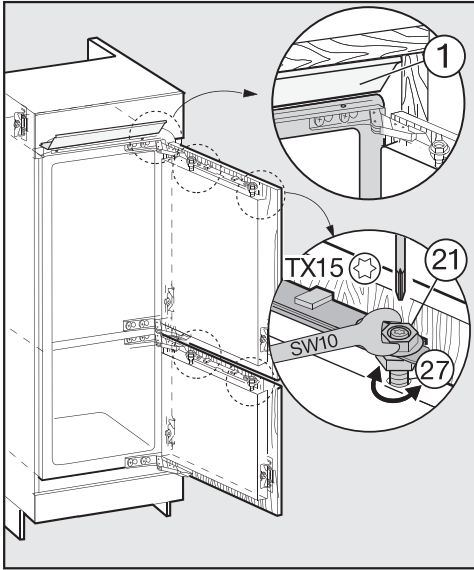
- Slide the furniture door.

Y: height adjustment

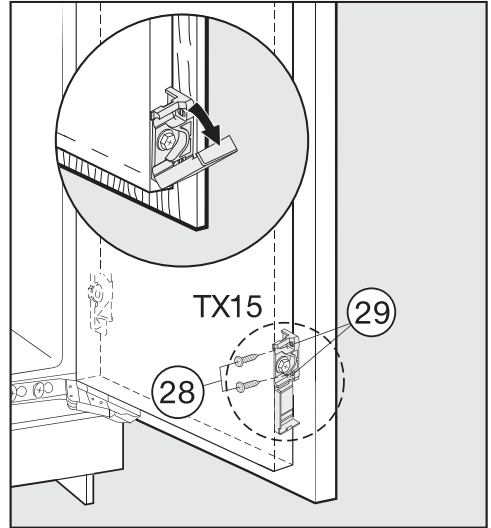
A gap of 8 mm is set between the appliance door and the fixing bracket. This must only be adjusted within its permitted range.

- Use a screwdriver to adjust the bolts (27).

Installation



- Whilst counterholding the adjusting bolts 27 with a screwdriver, tighten the nuts 21.
- The cover strip 1 must be completely hidden in the niche and must not protrude.



- Open the cover.
- Fit the screws 28 into the holes 29.

Tip: Pre-drill the holes.

 Risk of damage to the fixing bracket and cover.

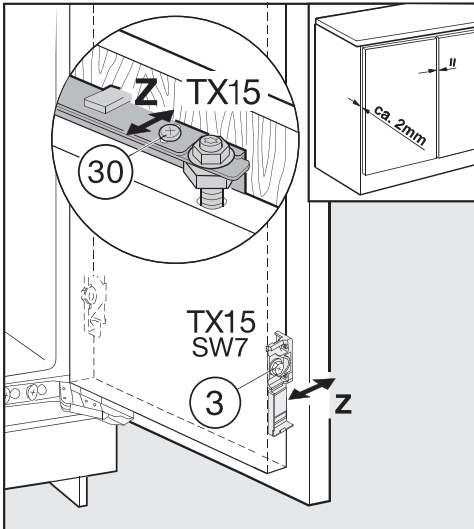
The cover on the fixing bracket can easily become detached.

Always close the cover as soon as you have finished working on the bracket.

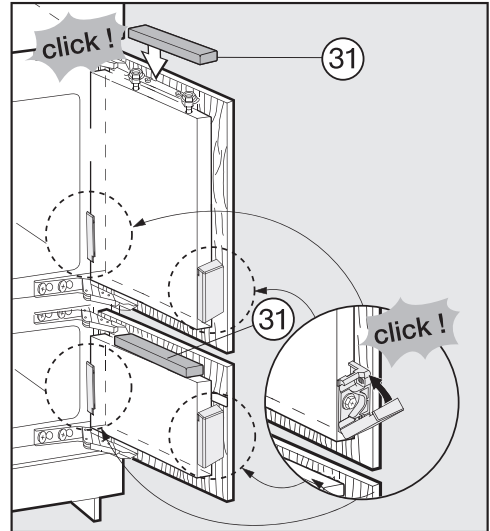
- Close the door.

Z: depth adjustment

Check the distance between the furniture door and the housing unit. A distance of approx. 2 mm is required.



- Loosen the screws ③⑩ at the top of the appliance door and the screw ③ at the bottom of the fixing bracket.
- Tighten all the screws again.



- Replace the top covers ③① and click them into place.
- Close the covers on the fixing brackets.

Installation

To make sure the appliance is correctly fitted:

- The doors must close properly.
- The door must not touch the housing unit.
- The seal at the top edge of the handle side must fit properly.
- To double check place a torch in the appliance and close the door. Turn the lights out in the room. If you can see any light shining out from the sides double check the installation.

Electrical connection

The appliance is supplied with a mains cable and moulded plug ready for connection to an AC single-phase 220–240 V 50 Hz supply.

The fuse rating must be at least 10 A.

This appliance must be connected to a suitable switched socket. The electrical installation must be in compliance with current local and national safety regulations, (e.g. VDE 0100 in Germany / BS 7671 in the UK).

The socket must not be concealed behind the appliance and must be easily accessible so that the appliance can be quickly disconnected from the electrical supply in case of an emergency.

If the socket is no longer accessible after installation, an additional means of disconnection must be provided for all poles. Suitable means of disconnection include switches with an all-pole contact gap of at least 3 mm. These include miniature circuit breakers, fuses and contactors (EN 60335).

The mains plug and mains connection cable must not come into contact with the back of the appliance as vibrations can cause damage to these components. This could result in a short circuit.

Do not plug in other appliances behind this appliance.

Do not connect the appliance to the mains electricity supply by an extension lead. Extension leads do not guarantee the required safety of the appliance (e.g. danger of overheating).

Do not connect the appliance to a stand-alone inverter such as those used with an autonomous energy source e.g. **solar power**.

When the appliance is switched on, power surges could result in a safety switch-off. This could damage the electronic module. The appliance must not be used with so-called **energy saving devices** either. These reduce the amount of energy supplied to the appliance, causing it to overheat.

If the mains cable needs to be replaced, this must be performed by a qualified electrician.



United Kingdom

Miele Co. Ltd.
Fairacres, Marcham Road
Abingdon, Oxon, OX14 1TW
Tel: 0330 160 6600
Internet: www.miele.co.uk/service
E-mail: info@miele.co.uk

Australia

Miele Australia Pty. Ltd.
ACN 005 635 398
ABN 96 005 635 398
1 Gilbert Park Drive
Knoxfield, VIC 3180
Tel: 1300 464 353
Internet: www.miele.com.au

China

Miele (Shanghai) Trading Ltd.
1-3 Floor, No. 82 Shi Men Yi Road
Jing' an District
200040 Shanghai, PRC
Tel: +86 21 6157 3500
Fax: +86 21 6157 3511
E-mail: info@miele.cn
Internet: www.miele.cn

Miele (Hong Kong) Limited

41/F - 4101, Manhattan Place
23 Wang Tai Road
Kowloon Bay, Hong Kong
Tel: (852) 2610 1025
Fax: (852) 3579 1404
Email:
customerservices@miele.com.hk
Website: www.miele.hk

India

Miele India Pvt. Ltd.
Ground Floor
Copia Corporate Suites
Plot No. 9, Jasola
New Delhi - 110025
Tel: 011-46 900 000
Fax: 011-46 900 001
E-mail: customercare@miele.in
Internet: www.miele.in

Ireland

Miele Ireland Ltd.
2024 Bianconi Avenue
Citywest Business Campus
Dublin 24
Tel: (01) 461 07 10
Fax: (01) 461 07 97
E-Mail: info@miele.ie
Internet: www.miele.ie

Malaysia

Miele Sdn Bhd
Suite 12-2, Level 12
Menara Sapura Kencana
Petroleum
Solaris Dutamas No. 1
Jalan Dutamas 1
50480 Kuala Lumpur, Malaysia
Phone: +603-6209-0288
Fax: +603-6205-3768

New Zealand

Miele New Zealand Limited
IRD 98 463 631
Level 2, 10 College Hill
Freemans Bay, Auckland 1011
New Zealand
Tel: 0800 464 353
Internet: www.miele.co.nz

Singapore

Miele Pte. Ltd.
163 Penang Road
04 - 03 Winsland House II
Singapore 238463
Tel: +65 6735 1191
Fax: +65 6735 1161
E-Mail: info@miele.com.sg
Internet: www.miele.sg

South Africa

Miele (Pty) Ltd
63 Peter Place, Bryanston 2194
P.O. Box 69434, Bryanston 2021
Tel: (011) 875 9000
Fax: (011) 875 9035
E-mail: info@miele.co.za
Internet: www.miele.co.za

Taiwan

K.E. & Kingstone Co., Ltd.
6th Fl., No. 120, Sec. 2
Jianguo N. Rd.
Taipei, Taiwan
TEL: +886 2 2502-7256
FAX: +886 2 2502-3077
E-mail: kenk@kenk.com.tw
Website:
www.kenk.com.tw/ke/miele

Thailand

BHIRAJ TOWER at EmQuartier
43rd Floor Unit 4301-4303
689 Sukhumvit Road
North Klongton Sub-District
Vadhana District
Bangkok 10110, Thailand

United Arab Emirates

Miele Appliances Ltd.
Showroom 1
Eiffel 1 Building
Sheikh Zayed Road, Umm Al Sheif
P.O. Box 114782 - Dubai
Tel. +971 4 3044 999
Fax. +971 4 3418 852
800-MIELE (64353)
E-Mail: info@miele.ae
Website: www.miele.ae

Manufacturer: Miele & Cie. KG, Carl-Miele-Straße 29, 33332 Gütersloh, Germany

KFN 37452 iDE

en-GB

M.-Nr. 11 449 700 / 00