

TV Mount Tabletop Stand Legs



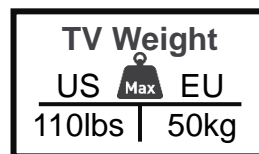
Download Assembly Instructions with Text



Warning! Ignoring the safety and assembly instructions may result in **SERIOUS OR FATAL INJURIES** from tip over or the falling of the product and the electrical appliances. Opening the package represents your undertaking to closely read and follow the instructions. This product is not intended for use in public places. **For Safety Instructions, warranty and further information, go to: www.barkanmounts.com › Support › Safety Instructions & Warranty**

For more information: barkanmounts.com

If you are satisfied with the product, please give us a 5 stars ★★★★★ rating on the website you bought it from. If you are not satisfied please contact us at <https://www.barkanmounts.com/support> and we will solve the problem for you.



S40-MAN-ONL-2304

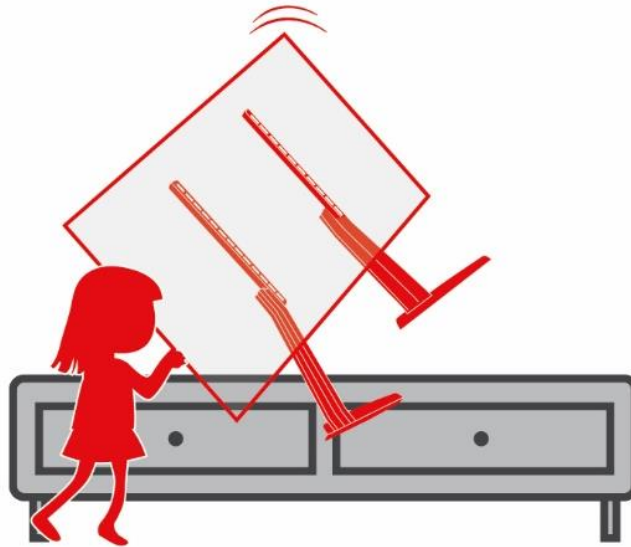
Safety instructions and installation warnings (provided separately) must be read in full, prior to assembly.



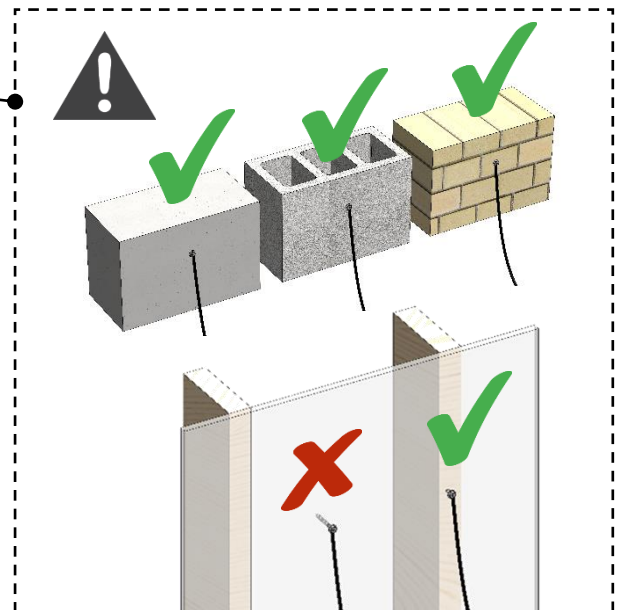
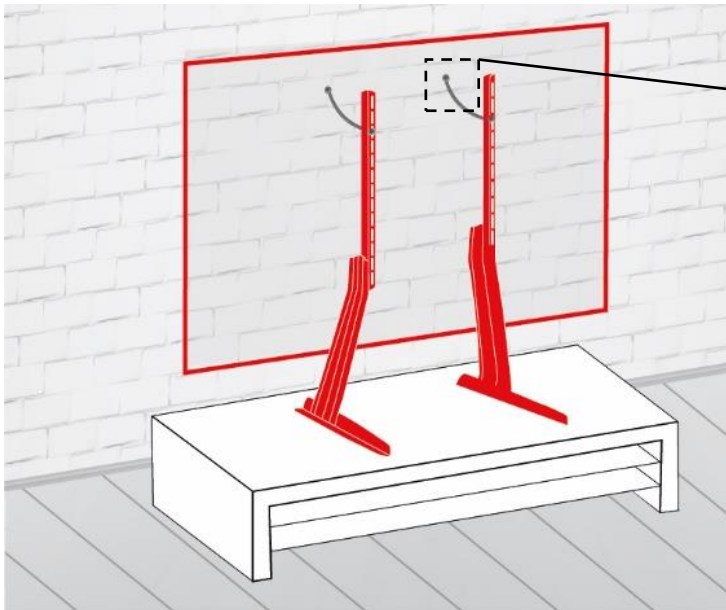
Warnings!

Tip Over Hazard!

Keep children under the age of 15 away from the product



Anchor to the Wall- using 2 strong cables

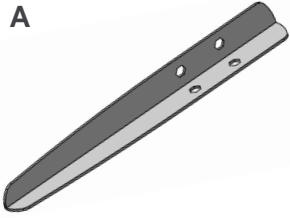


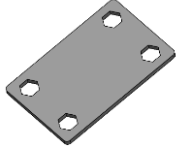

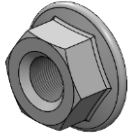
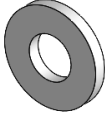





Collision Hazard-

place the product in a position that will prevent people from colliding with it




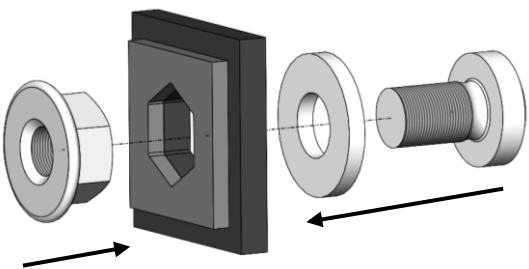


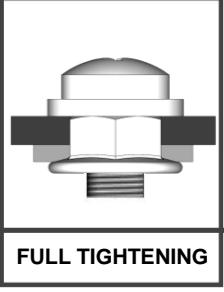
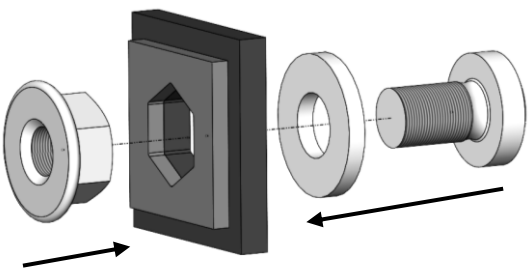
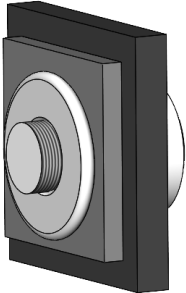
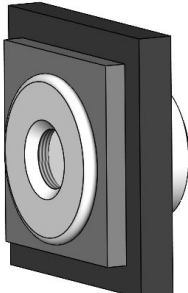
Included Parts Not to scale

<p>A</p>  <p>x2</p>	<p>B</p>  <p>x2</p>	<p>C</p>  <p>x2</p>	<p>Y1</p>  <p>x2</p>																																			
<p>Y2</p>  <p>x6</p>	<p>Z1</p>  <p>x4</p>	<p>Z2</p>  <p>x8</p>	<p>Z4</p>  <p>x8</p>																																			
<p>Z5</p>  <p>x8</p>	 <table border="1"> <thead> <tr> <th>#</th> <th>M</th> <th>L mm</th> <th>L Inch</th> <th>pcs</th> </tr> </thead> <tbody> <tr> <td>Z3</td> <td>6</td> <td>10</td> <td>3/8"</td> <td>4</td> </tr> <tr> <td>Z6</td> <td>5</td> <td>10</td> <td>3/8"</td> <td>8</td> </tr> <tr> <td>Z7</td> <td>4</td> <td>16</td> <td>5/8"</td> <td>4</td> </tr> <tr> <td>Z8</td> <td>6</td> <td>20</td> <td>3/4"</td> <td>4</td> </tr> <tr> <td>Z9</td> <td>8</td> <td>20</td> <td>3/4"</td> <td>4</td> </tr> <tr> <td>Z10</td> <td>8</td> <td>45</td> <td>1-3/4"</td> <td>4</td> </tr> </tbody> </table>			#	M	L mm	L Inch	pcs	Z3	6	10	3/8"	4	Z6	5	10	3/8"	8	Z7	4	16	5/8"	4	Z8	6	20	3/4"	4	Z9	8	20	3/4"	4	Z10	8	45	1-3/4"	4
#	M	L mm	L Inch	pcs																																		
Z3	6	10	3/8"	4																																		
Z6	5	10	3/8"	8																																		
Z7	4	16	5/8"	4																																		
Z8	6	20	3/4"	4																																		
Z9	8	20	3/4"	4																																		
Z10	8	45	1-3/4"	4																																		


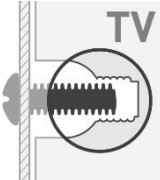
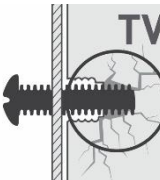

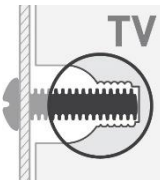
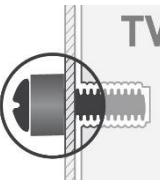
Required Tools




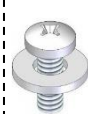

Full Tightening – Whenever the full tightening icon is displayed, make sure to place a nut inside the hexagonal slot and that the endpoint of the screw crosses the edge of the nut.

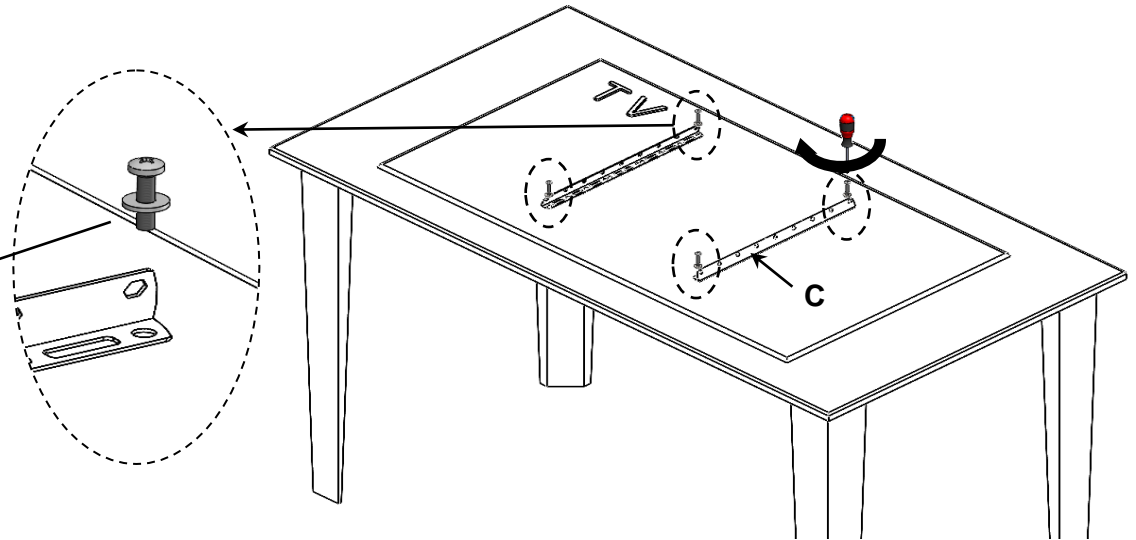
	<p>1</p> 	<p>2</p>  <p>Right</p>	 <p>Wrong</p>
 <p>FULL TIGHTENING</p>			





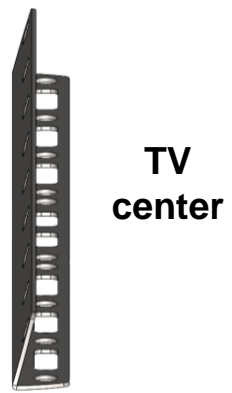
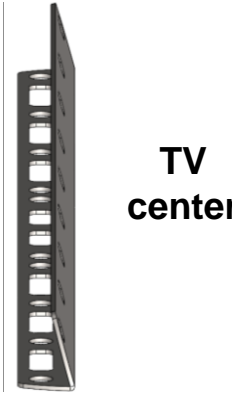
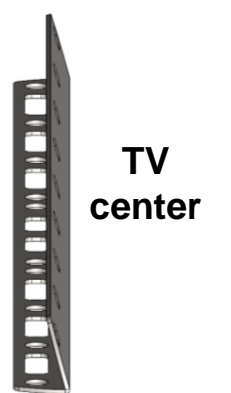
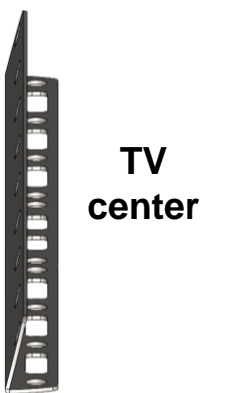
1

Wrong 		
Right 		
	Purchase longer screws	Purchase spacers in order to adjust the screws length inside the TV

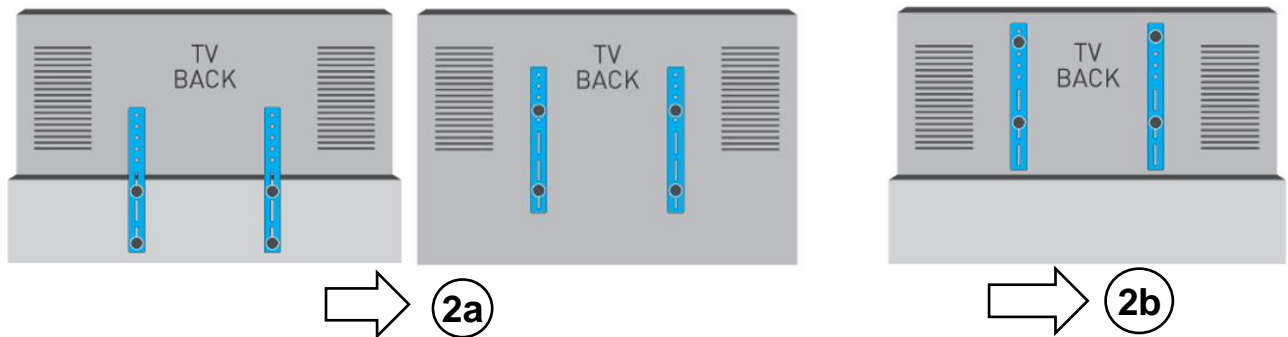


- Z9/Z10 → 
- Z7/ Z8 → 
- Z2 → 



Right 	Wrong 	Wrong 	Wrong 
 TV center	 TV center	 TV center	 TV center

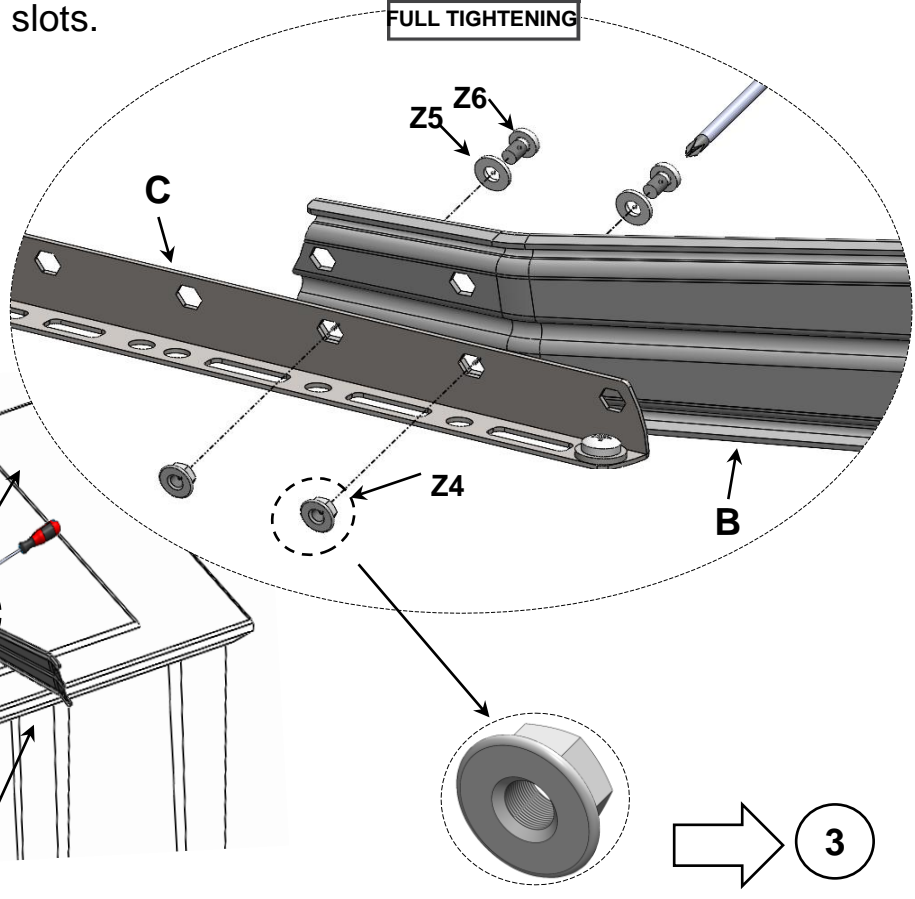
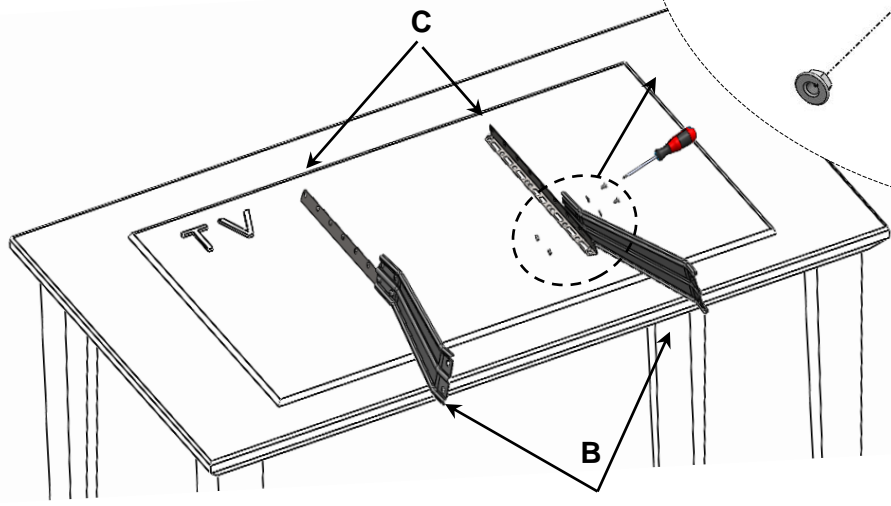
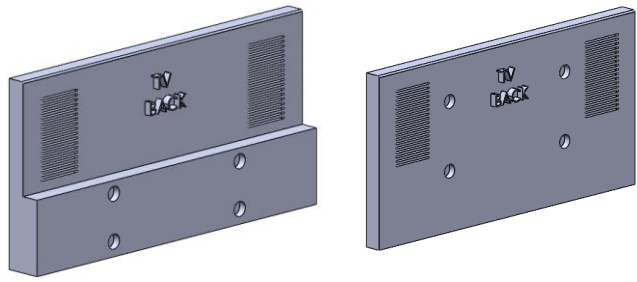
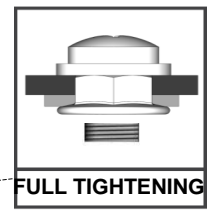
2



If your TV's back screen holes are on an indented surface, turn to step 2b

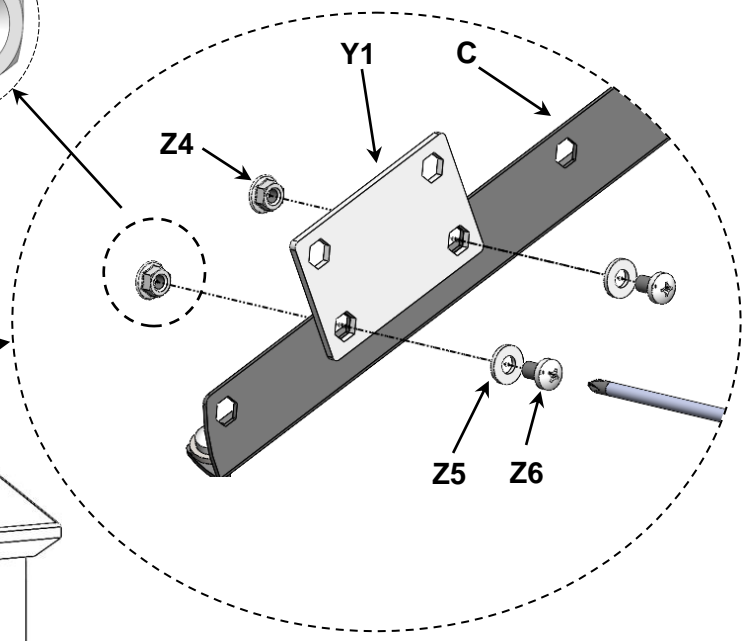
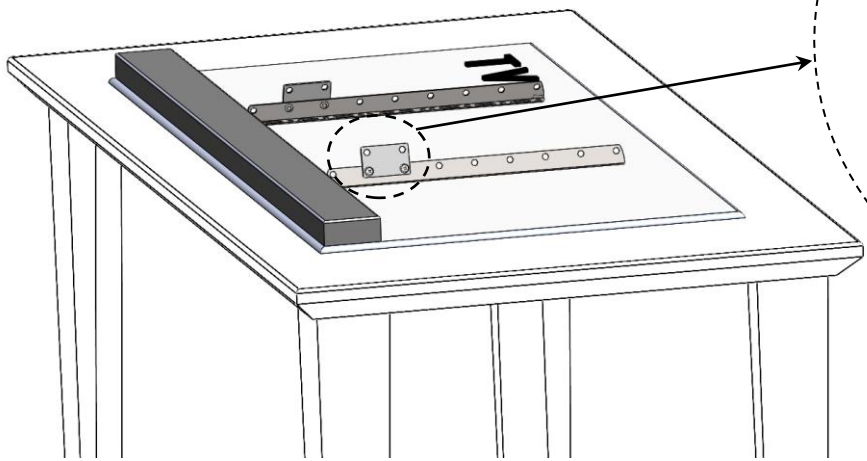
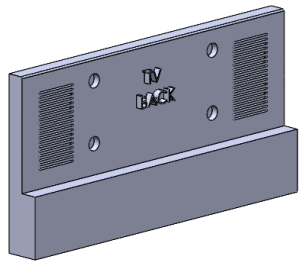
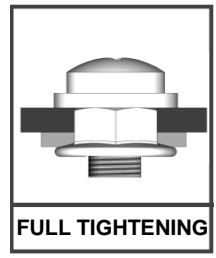
2a

If the TV back is flat or if the TV's back holes are located on the lower part of the TV back that protrudes, connect part B to part C. Place nuts inside the hexagonal slots.

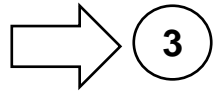
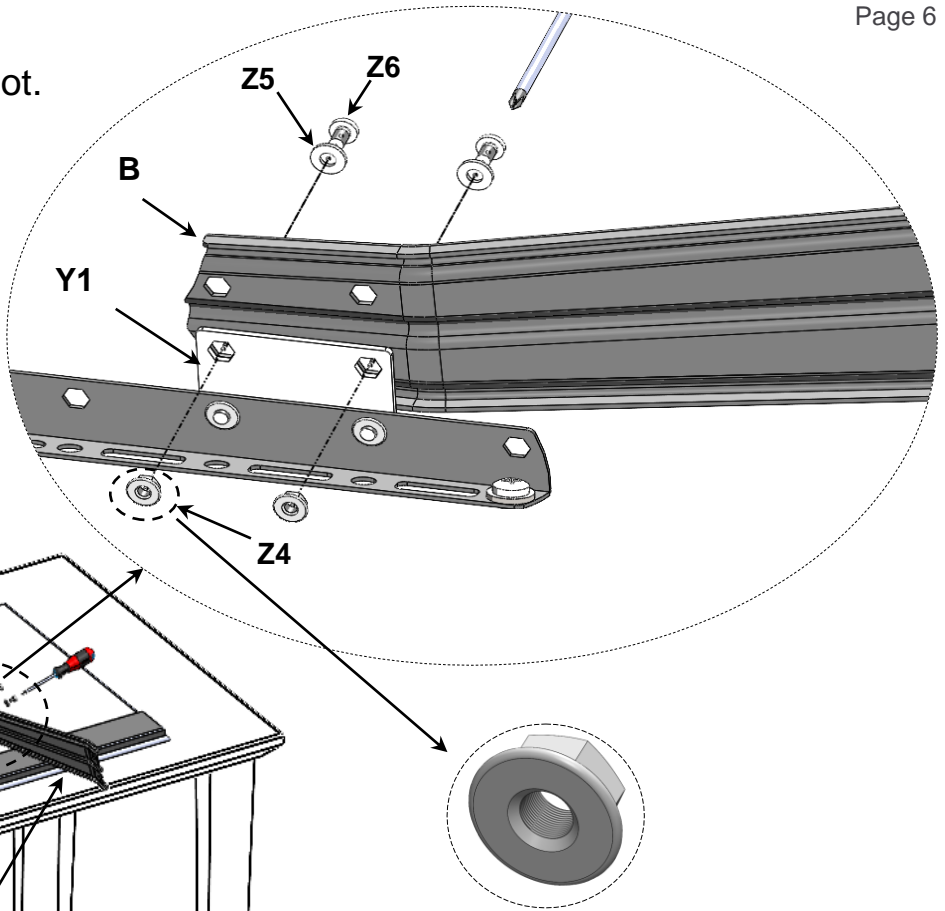
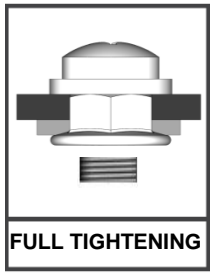


2b

If the lower part of the back of the TV protrudes and the TV's back holes are on the upper indented surface connect part Y1 to part C. Place nuts inside the hexagonal slots.

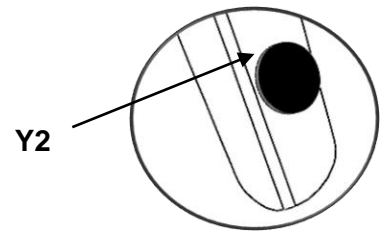
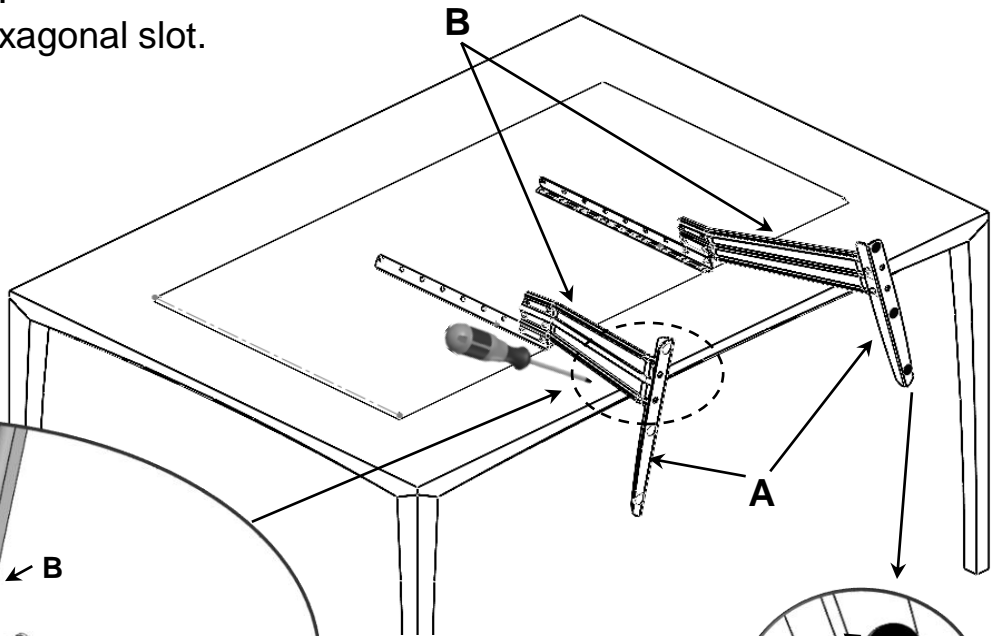
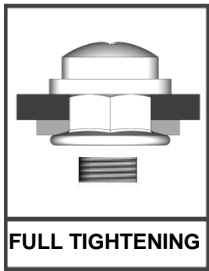


Connect part B to part Y1.
Place nuts inside the hexagonal slot.

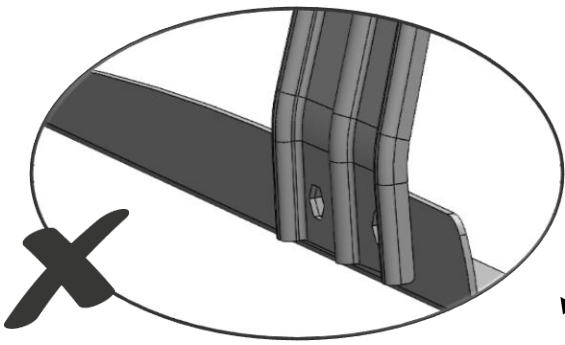


3

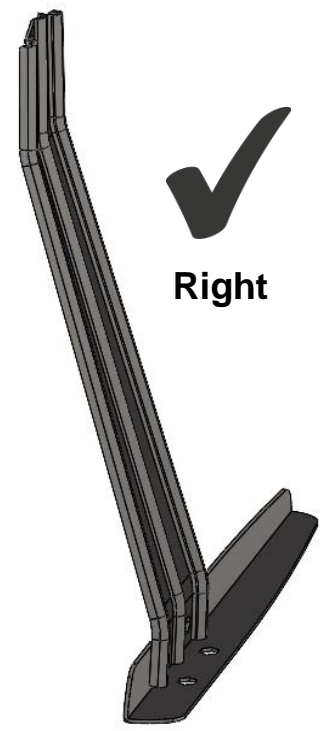
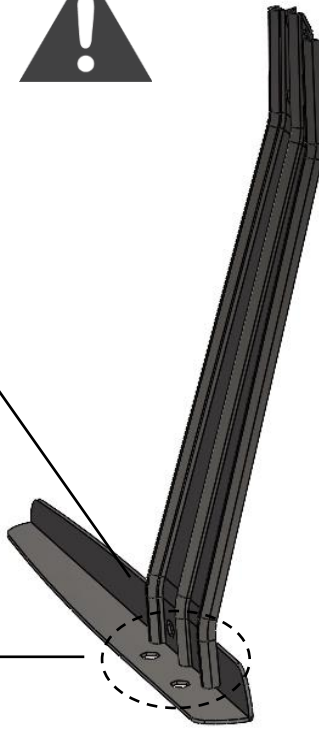
Connect part A to part B.
Place nuts inside the hexagonal slot.



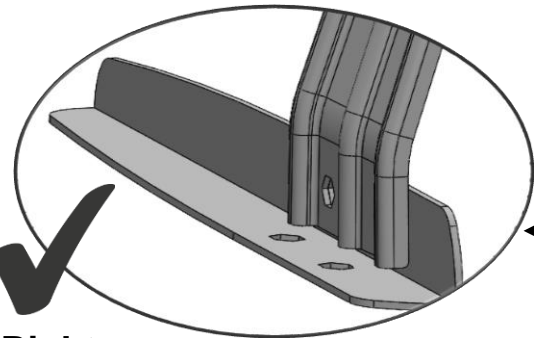
Paste the anti-scratch stickers Y2 on to the bottom of part A.



Wrong



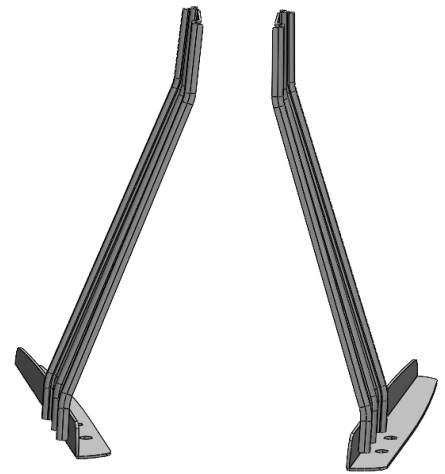
Right



Right

X
Wrong

X
Wrong

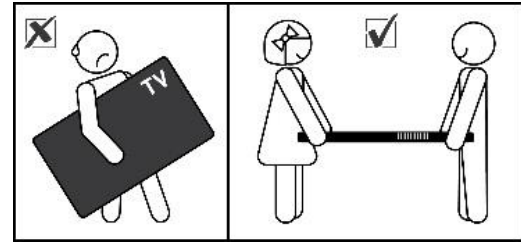
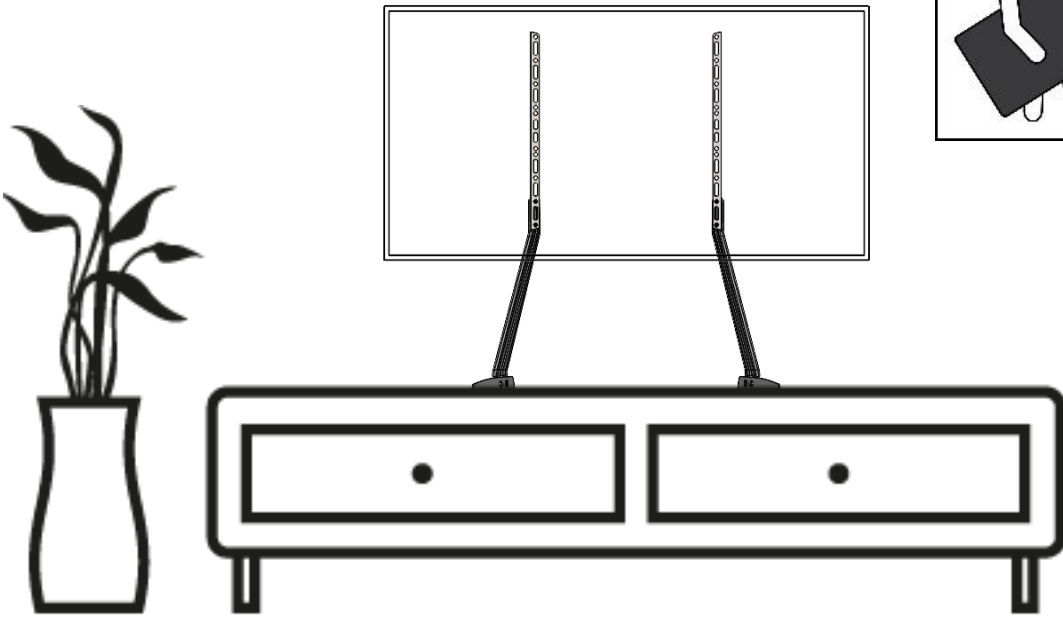


X
Wrong

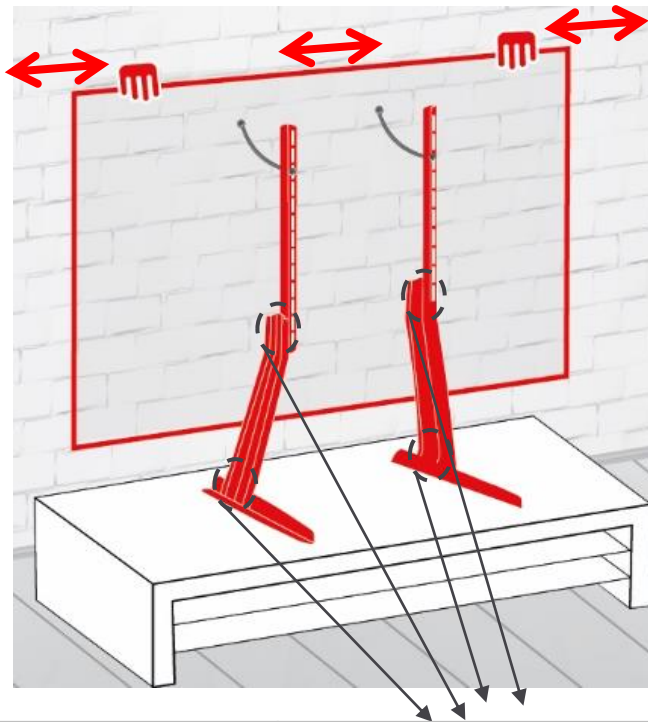
X
Wrong



4 With the help of another person place the stand on the table.



6 Carefully rock the screen and make sure that all the screws are fully tightened.



1

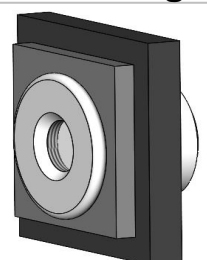
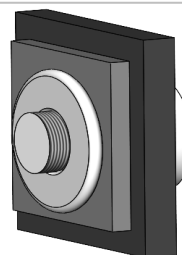
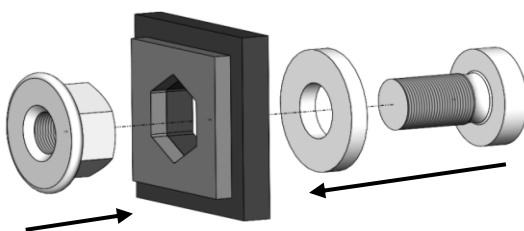


2



Right

Wrong



Full Tightening – Whenever the full tightening icon is displayed, make sure to place a nut inside the hexagonal slot and that the endpoint of the screw crosses the edge of the nut.