

Dyn X

Simulator Cockpit
User Manual

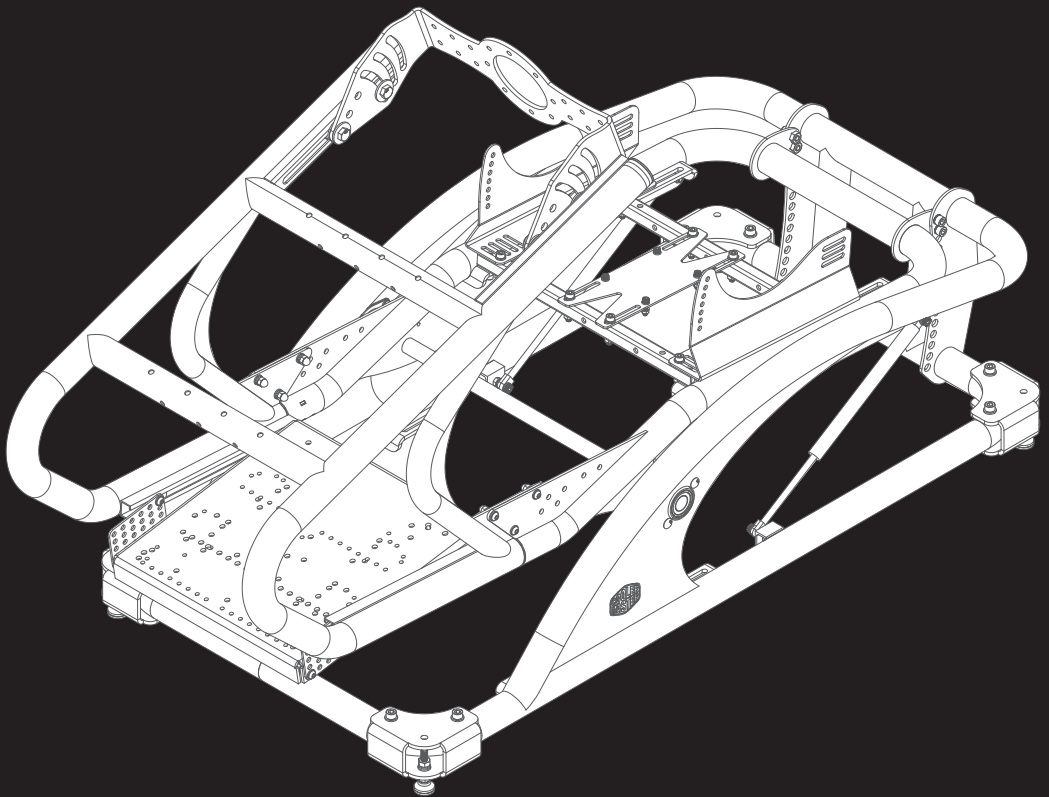


TABLE OF CONTENTS

SPECIFICATIONS

| | |
|-------------------------------------|----|
| GENERAL SPECIFICATIONS | 02 |
| MATERIAL SPECIFICATIONS | 02 |
| COMPONENT ADJUSTMENT SPECIFICATIONS | 03 |

WARNINGS

| | |
|----------|----|
| WARNINGS | 04 |
|----------|----|

ASSEMBLY INSTRUCTIONS

| | |
|----------------------------------------|---------|
| DYN X ASSEMBLY OVERVIEW | 05 |
| 1. ATTACH FLOOR LEVELERS | 07 |
| 2. ATTACH FLOOR LEVELER MOUNTS | 08 |
| 3. INSERT EXPANSION CLAMPS | 09 |
| 4. ATTACH NOSE FRAME | 10 |
| 5. ADD COCKPIT GUSSET SCREWS | 11 |
| 6. TIGHTEN EXPANSION CLAMP SET SCREWS | 12 |
| 7. TIGHTEN NOSE FRAME GUSSET SCREWS | 13 |
| 8. ATTACH SEAT MOUNT CROSSMEMBERS | 14 |
| 9. ATTACH SEAT MOUNTS | 15 |
| 10. ATTACH BUTTKICKER MOUNT (OPTIONAL) | 16 |
| 11. ATTACH PEDAL TRAY | 17 |
| 12. ATTACH STEERING MOUNT | 18 |
| PEDAL TRAY OPTIONS | 19 |
| PEDAL TRAY HOLE PATTERNS | 20 |
| STEERING MOUNT OPTIONS | 21 |
| CHANGING DRIVING POSITION | 22 |
| DRIVING POSITIONS | 23 & 24 |
| WARRANTY | 25 |

FOR A HIGH RESOLUTION DIGITAL COPY OF THIS MANUAL, PLEASE VISIT: www.coolermaster.com

GENERAL SPECIFICATIONS

| | |
|------------------------------------------|-----------------------------------------------------------|
| Weight | 77.1kg |
| Assembled Dimensions (Upmost Position) | 1707mm x 756mm x 1044mm (LxWxH) |
| Assembled Dimensions (Downmost Position) | 1591mm x 756mm x 998mm (LxWxH) |
| Ready for Motion Actuator System | Yes |
| Buttkicker Mount | Yes |
| Included Steering Wheel Mount | Front Mount |
| Number of Driving Positions | 14 (From Semitruck to Formula, and everything in between) |

MATERIAL SPECIFICATIONS

| | |
|------------------------------------------------------|--------------------------------|
| Frame Tubing Material | Powder Coated Steel (STKM 13A) |
| Frame Tubing Diameter | 50.8mm |
| Frame Tubing Wall Thickness | 2mm |
| Gusset Thickness | 5mm |
| Steering Wheel Mount Material (All Mounts) | Powder Coated Steel |
| Steering Wheel Mount Material Thickness (All Mounts) | 6mm |
| Pedal Tray Material | Powder Coated Aluminum (5052) |
| Pedal Tray Material Thickness | 5mm |
| Seat Mount Material | Powder Coated Steel |
| Seat Mount Material Thickness | 3mm |

COMPONENT ADJUSTMENT SPECIFICATIONS

| | |
|-----------------------------------------------------------------|------------------------------------------------------------------------------------------|
| Steering Wheel Slide (Forward/Back) | 300mm |
| Steering Wheel Mounting Positions (Front & Side Mount) | 6 (3 regular + 3 with mount inverted) |
| Steering Wheel Mount Degrees of Adjustment (Front & Side Mount) | Position 1: 50° Position 2: 47° Position 3: 44° Total: 80° (regular + inverted) |
| Steering Wheel Mount Height Adjustment (Front & Side Mount) | 81mm (6 positions) |
| Steering Wheel Mounting Positions (Tray Mount) | 4 (2 regular + 2 with mount inverted) |
| Steering Wheel Mount Degrees of Adjustment (Tray Mount) | Position 1: 26° Position 2: 24° Total: 60° (regular + inverted) |
| Steering Wheel Mount Height Adjustment (Tray Mount) | 140mm (4 positions) |
| Pedal Tray Slide (Forward/Back) | 400mm |
| Pedal Tray Tilt (Up/Down) | ± 45° |
| Pedal Tray Lift (Up/Down) | ±100mm |
| Seat Slide (Forward/Backward) | 150mm |
| Seat Tilt (Up/Down) | 3 - 27° |
| Seat Lift (Up/Down) | 30mm |
| Number of Frame Tilt Positions | 14 |
| Frame Tilt | 3 - 22° |
| Combined Frame/Seat Tilt | 6 - 49° |

WARNINGS

Keep Out of Direct Sunlight



Two Person Assembly Required



One User Only



No One Seated While Adjusting



No Sitting On Side



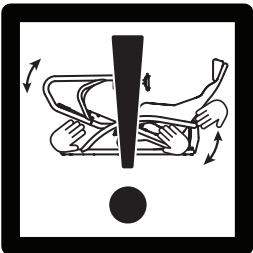
No Standing On Unit



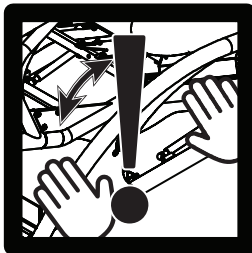
No Sitting On Nose



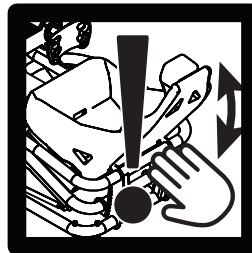
Keep Hands Clear During Adjustment



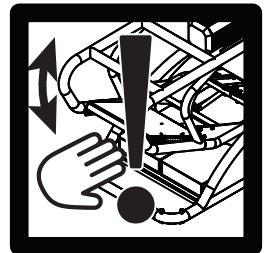
Keep Hands Clear of Base During Adjustment



Keep Hands Clear of Back During Adjustment

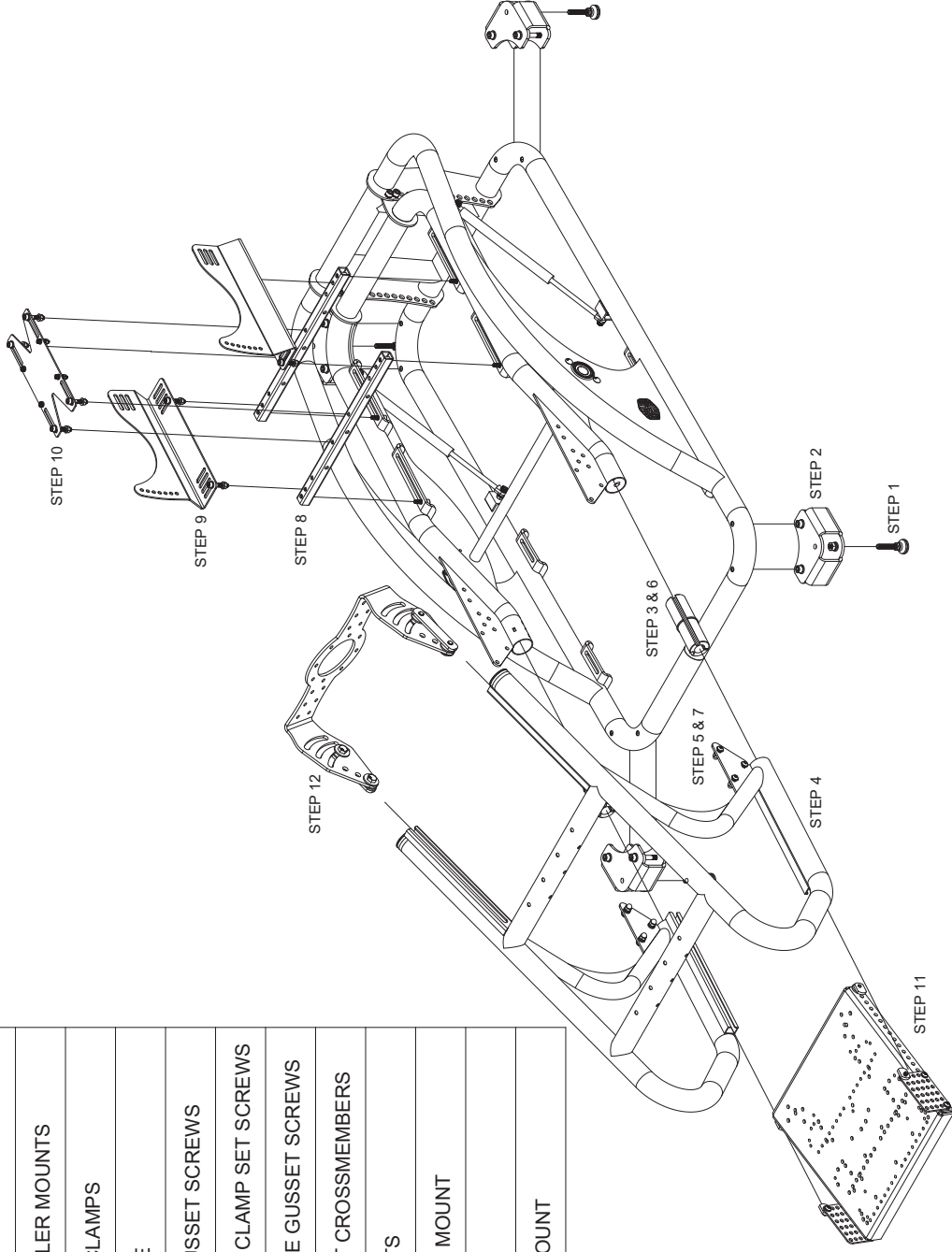


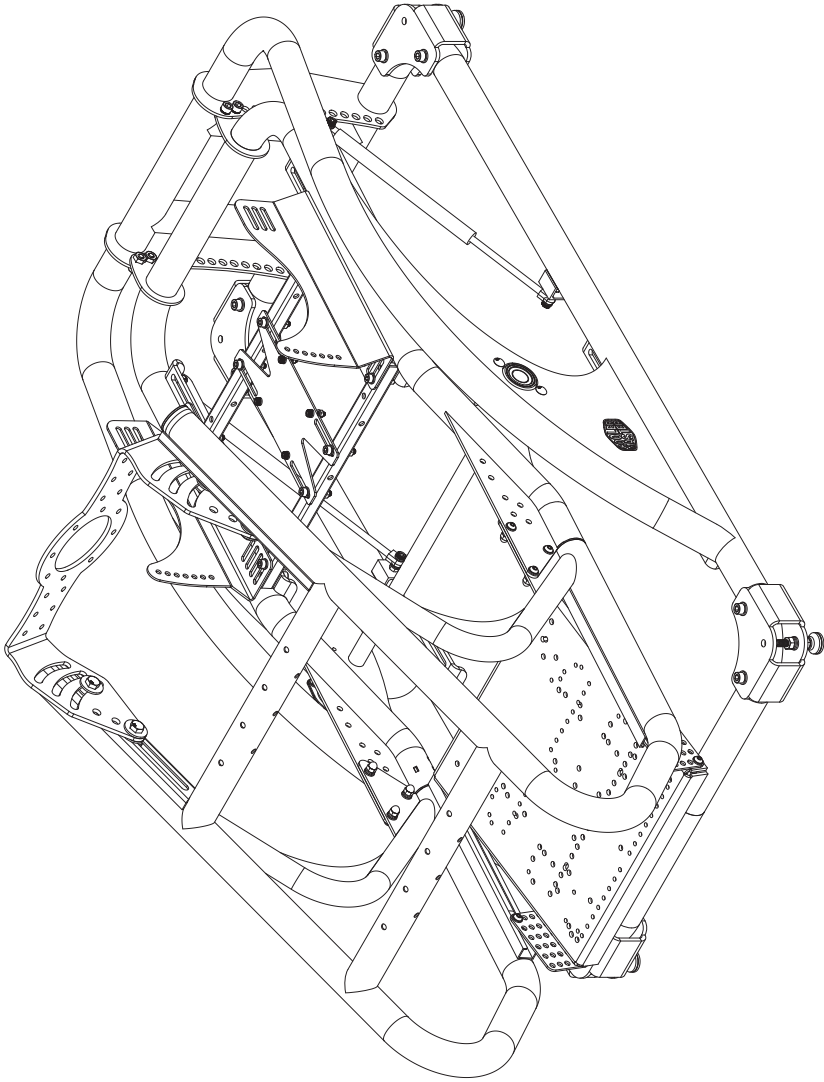
Keep Hands Clear of Nose During Adjustment



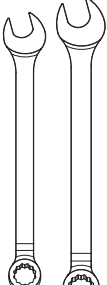
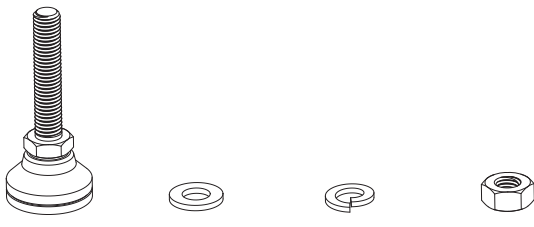
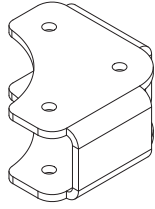
DYN X ASSEMBLY OVERVIEW

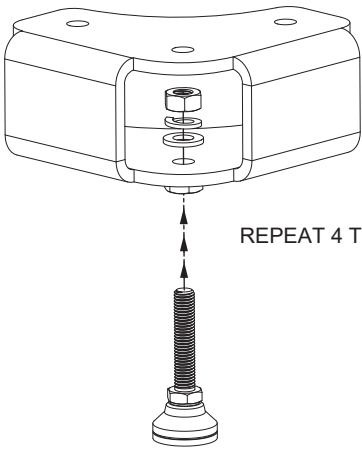
| | |
|---------|------------------------------------|
| STEP 1 | ATTACH FLOOR LEVELERS |
| STEP 2 | ATTACH FLOOR LEVELER MOUNTS |
| STEP 3 | INSERT EXPANSION CLAMPS |
| STEP 4 | ATTACH NOSE FRAME |
| STEP 5 | ADD NOSE FRAME GUSSET SCREWS |
| STEP 6 | TIGHTEN EXPANSION CLAMP SET SCREWS |
| STEP 7 | TIGHTEN NOSE FRAME GUSSET SCREWS |
| STEP 8 | ATTACH SEAT MOUNT CROSSMEMBERS |
| STEP 9 | ATTACH SEAT MOUNTS |
| STEP 10 | ATTACH BUTTKICKER MOUNT |
| STEP 11 | ATTACH PEDAL TRAY |
| STEP 12 | ATTACH STEERING MOUNT |



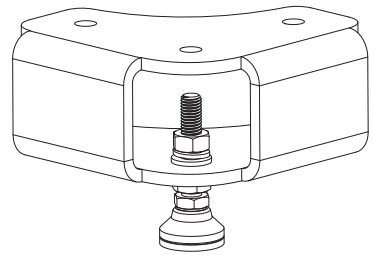


1. ATTACH FLOOR LEVELERS

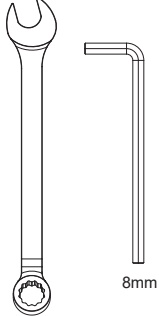
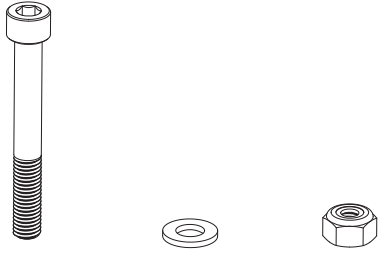
| TOOLS | HARDWARE | PARTS |
|--------------------------------------------------------------------------------------------------------|-----------------------------------------------------------------------------------------------------------------------------------------------------------------------|------------------------------------------------------------------------------------------------------------------|
|  <p>15mm 17mm</p> |  <p>4x FLOOR LEVELER 4x M10 WASHER 4x M10 LOCK WASHER 4x M10 HEX NUT</p> |  <p>4x FLOOR LEVELER MOUNT</p> |

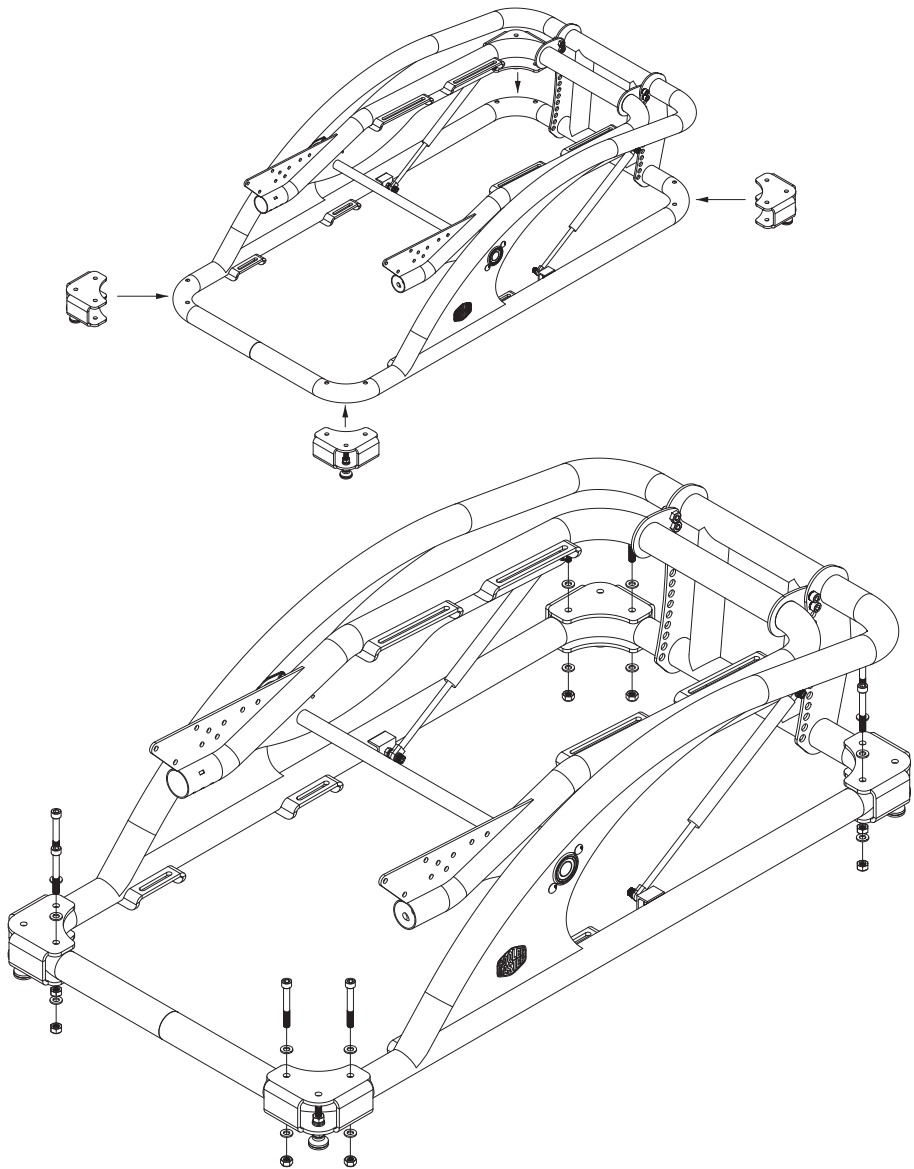


REPEAT 4 TIMES

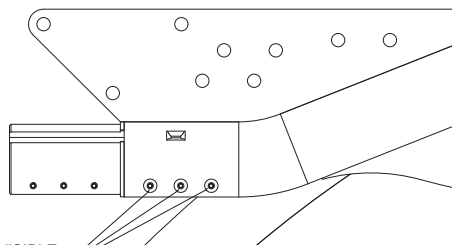
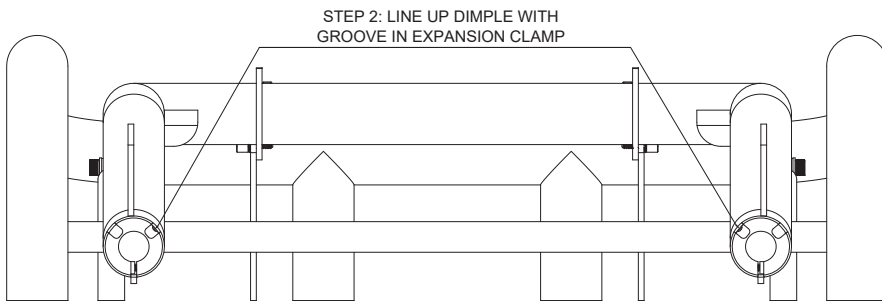
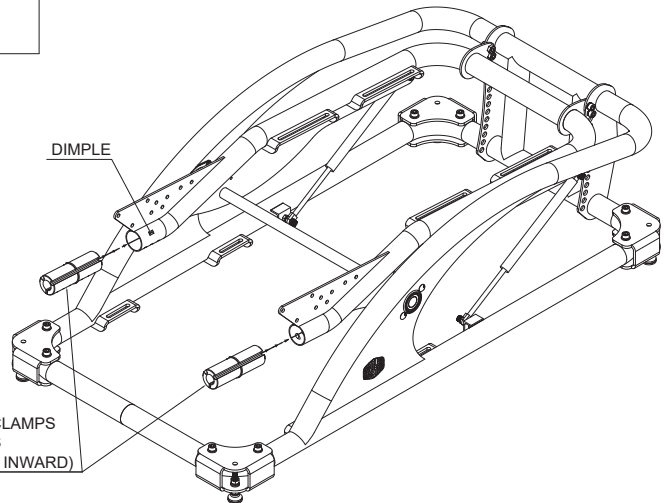
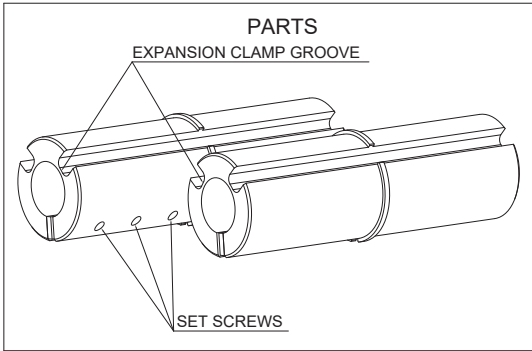


2. ATTACH FLOOR LEVELER MOUNTS

| TOOLS | HARDWARE |
|----------------------------------------------------------------------------------------------------------|--------------------------------------------------------------------------------------------------------------------------------------------------------------------------------------|
|  <p>17mm</p> <p>8mm</p> |  <p>8x M10 X 80mm SOCKET HEAD SCREW</p> <p>16x M10 WASHER</p> <p>8x M10 LOCKNUT</p> |



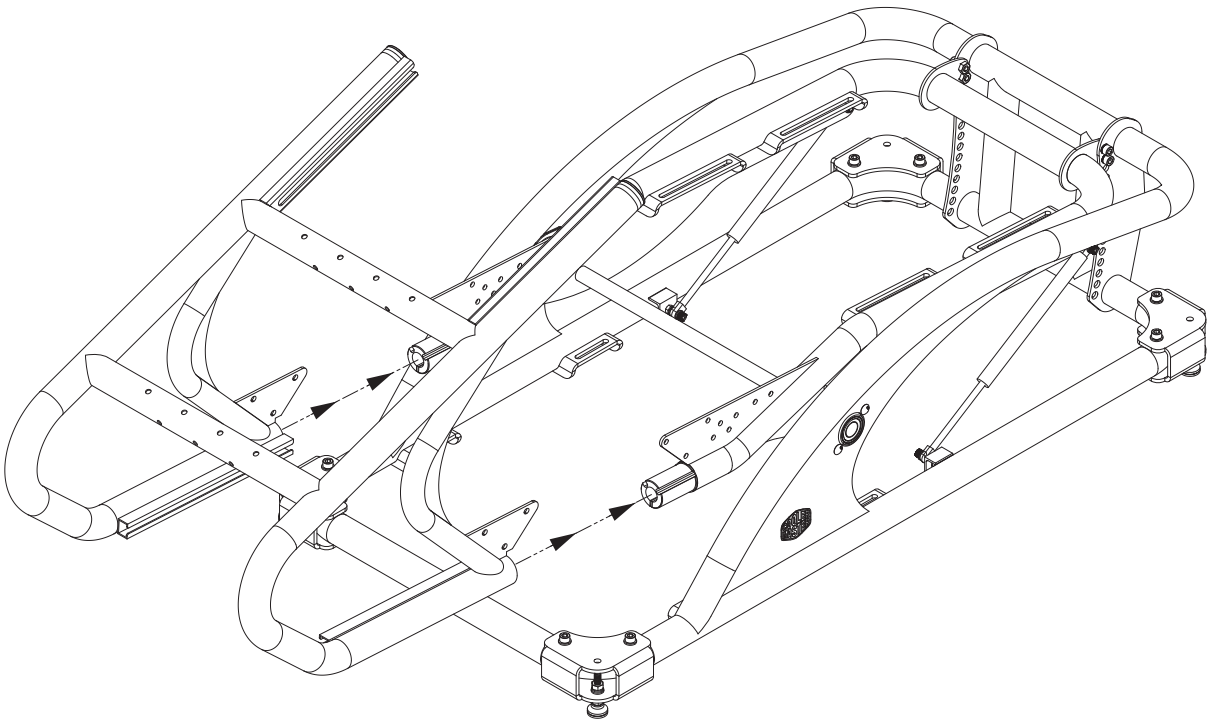
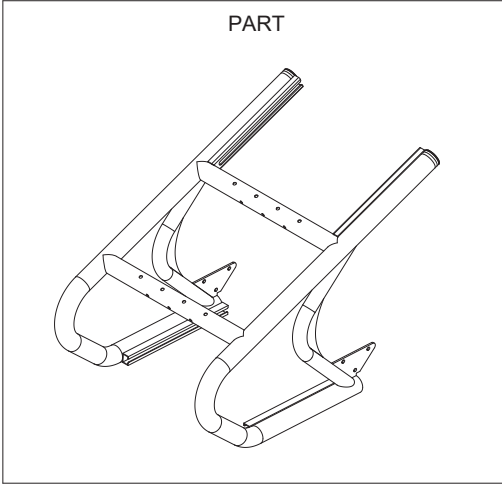
3. INSERT EXPANSION CLAMPS



9




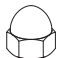
NOTE: IF SET SCREWS ARE NOT VISIBLE, EITHER TRY THE OTHER GROOVE OF THE EXPANSION CLAMP, OR TURN THE CLAMP AROUND AND INSERT THE OTHER END

4. ATTACH NOSE FRAME

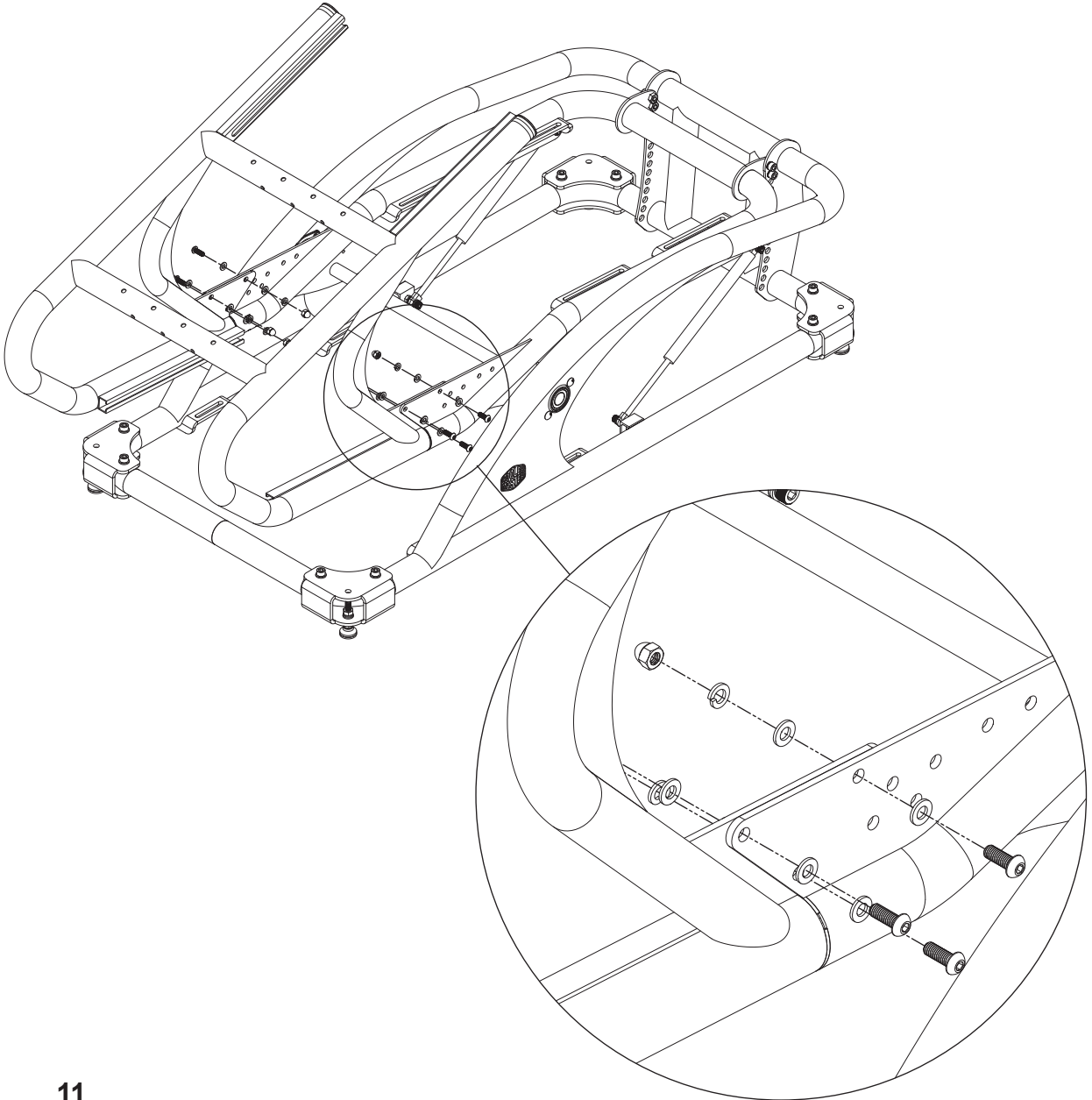


5. ADD COCKPIT GUSSET SCREWS

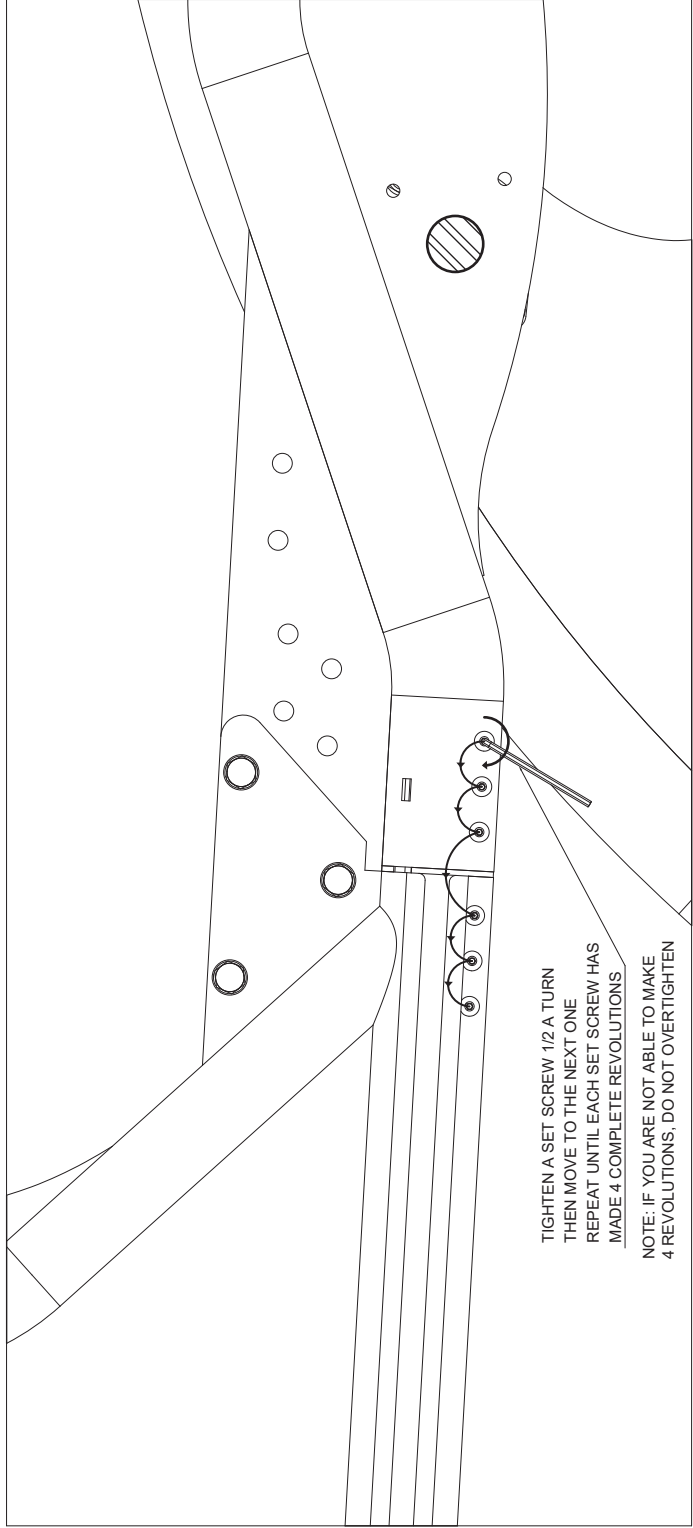
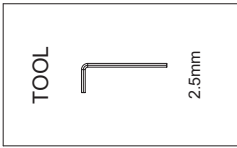
HARDWARE

| | | | |
|-----------------------------------------------------------------------------------|-----------------------------------------------------------------------------------|-----------------------------------------------------------------------------------|-----------------------------------------------------------------------------------|
|  |  |  |  |
| 6x M8 X 22mm BUTTON HEAD SCREW | 12x M8 WASHER | 6x M8 LOCK WASHER | 6x M8 CAP NUT |

**DO NOT TIGHTEN THESE SCREWS YET,
LEAVE THEM LOOSE.**



6. TIGHTEN EXPANSION CLAMP SET SCREWS

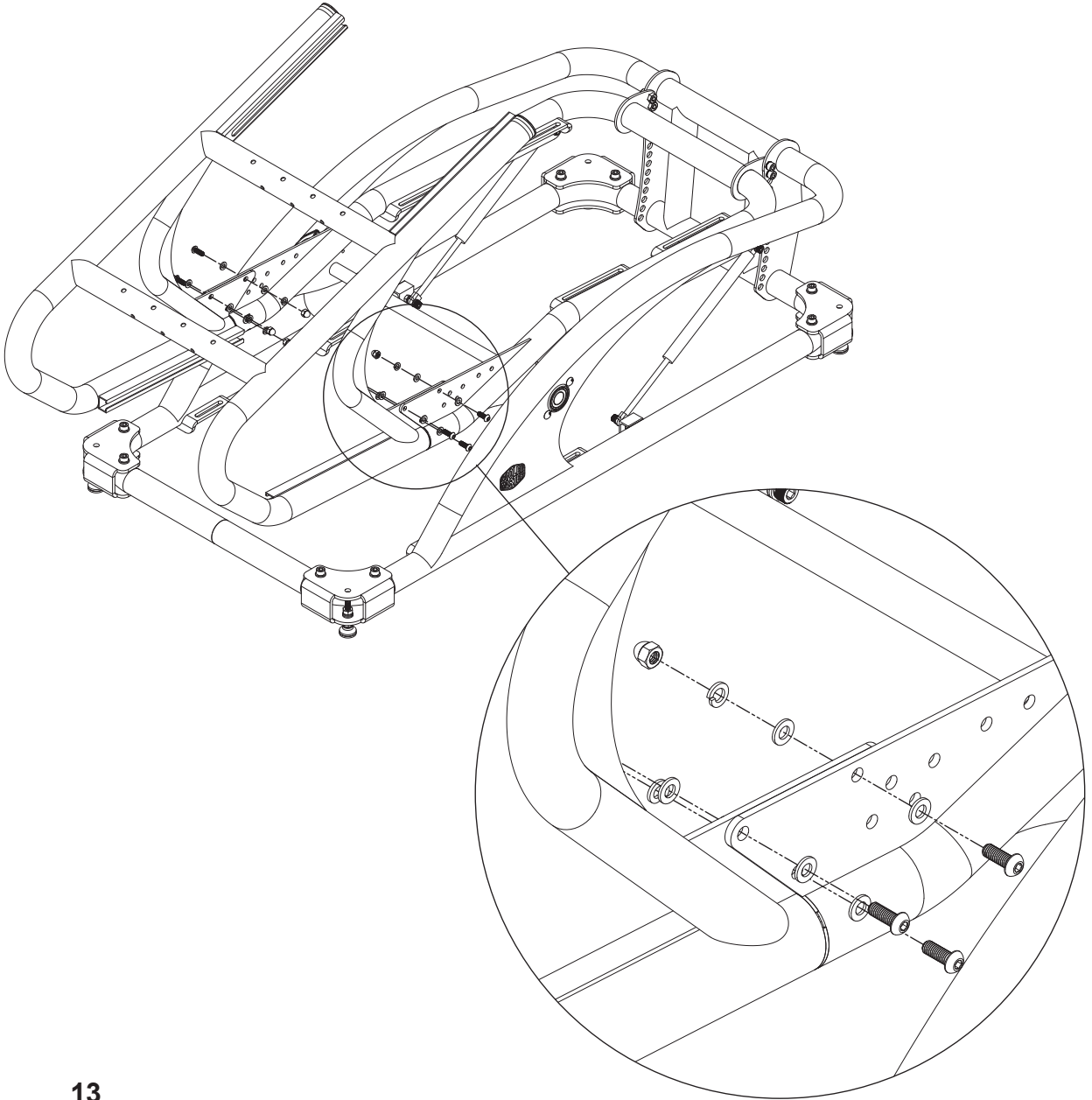
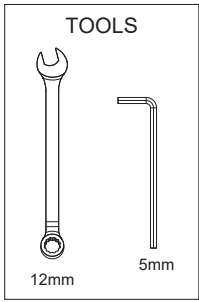


TIGHTEN A SET SCREW 1/2 A TURN
THEN MOVE TO THE NEXT ONE
REPEAT UNTIL EACH SET SCREW HAS
MADE 4 COMPLETE REVOLUTIONS

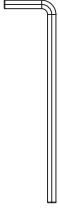



NOTE: IF YOU ARE NOT ABLE TO MAKE
4 REVOLUTIONS, DO NOT OVERTIGHTEN

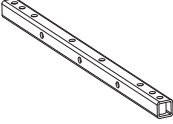
NOTE: TIGHTEN SET SCREWS EVENLY

7. TIGHTEN NOSE FRAME GUSSET SCREWS



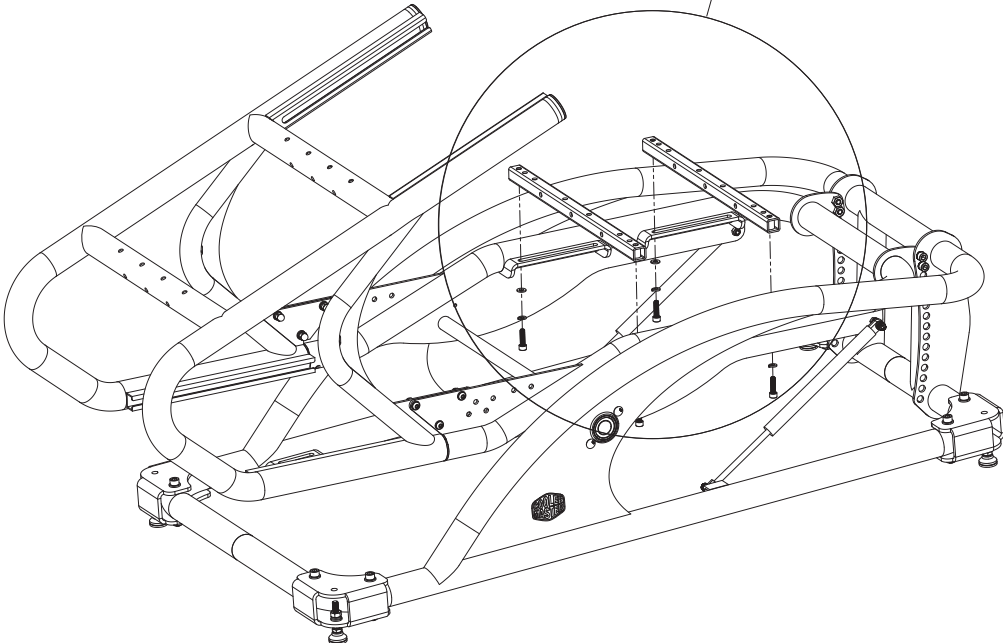
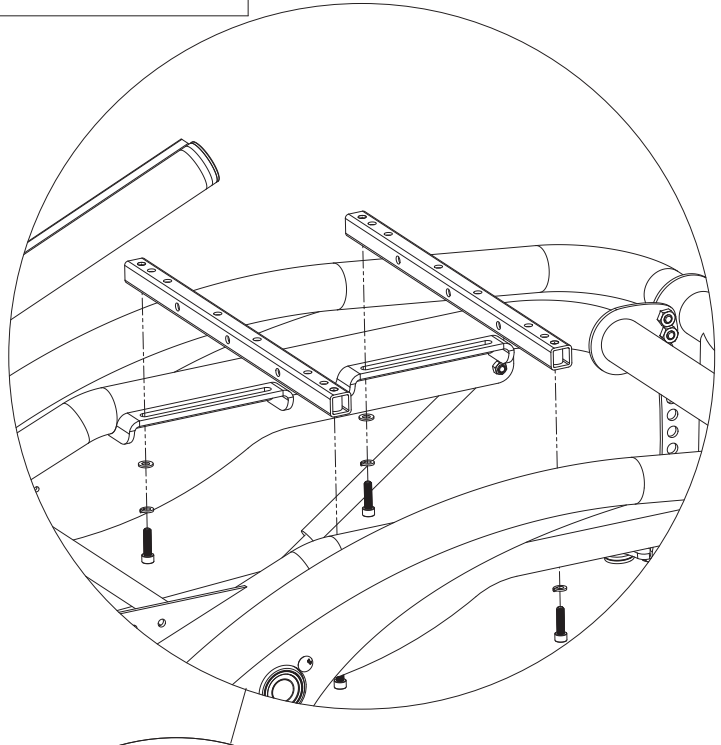
8. ATTACH SEAT MOUNT CROSSMEMBERS

| TOOL | HARDWARE | | |
|------------------------------------------------------------------------------------------|---------------------------------------------------------------------------------------------------------------------------|-----------------------------------------------------------------------------------------------------------|------------------------------------------------------------------------------------------------------|
|  6mm |  4x M8 X 30mm SOCKET HEAD SCREW |  4x M8 LOCK WASHER |  4x M8 WASHER |

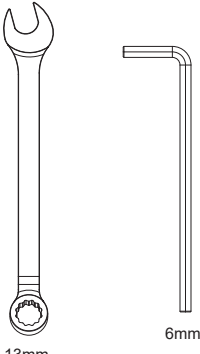
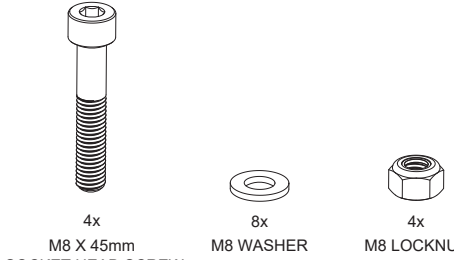
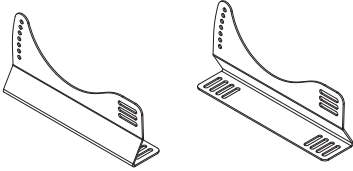
| PARTS |
|-----------------------------------------------------------------------------------|
|  |
| 2x SEAT MOUNT CROSSMEMBER |

NOTE: WHEN THE ASSEMBLY IS COMPLETE, LOOSEN THESE SCREWS TO SLIDE THE SEAT FORWARD OR BACKWARD.

NOTE: THESE SEAT MOUNT CROSSMEMBERS WILL ACCOMODATE A STANDARD SEAT SLIDER FROM SPARCO.



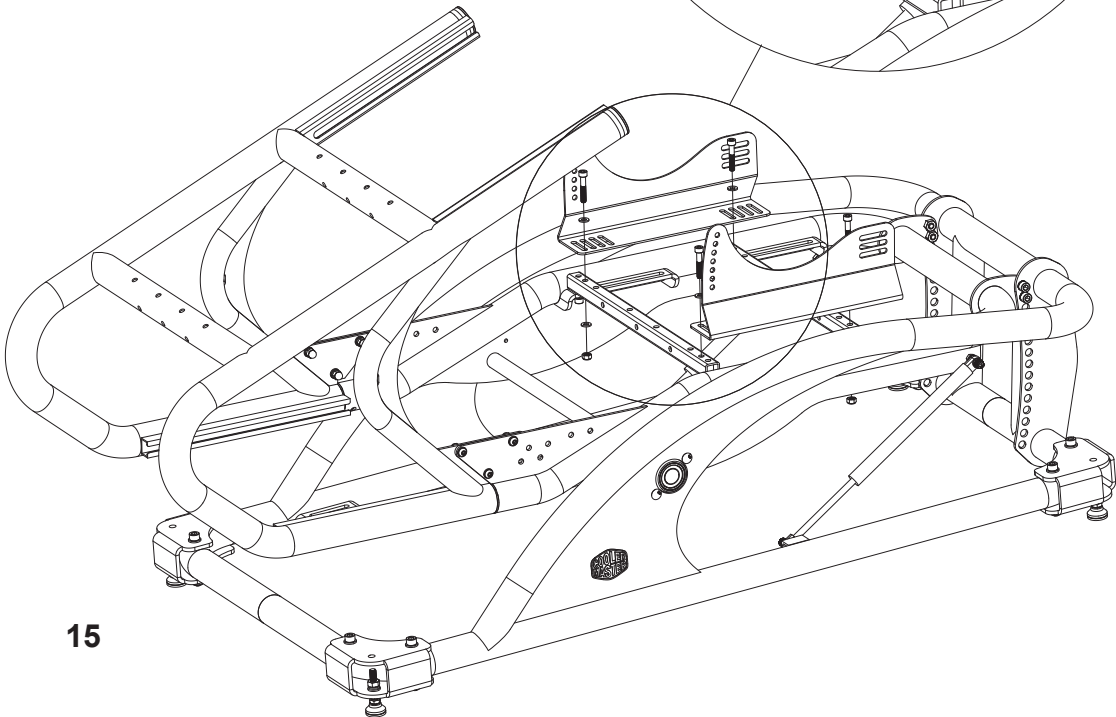
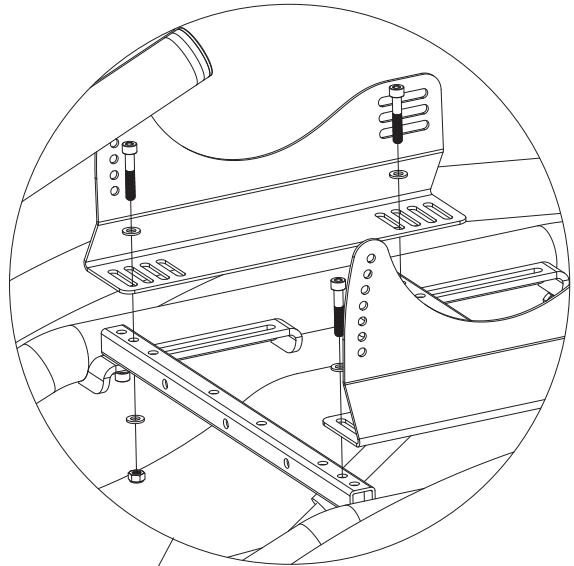
9. ATTACH SEAT MOUNTS

| TOOLS | HARDWARE | PARTS |
|---------------------------------------------------------------------------------------------------------|----------------------------------------------------------------------------------------------------------------------------------------------------------------------------------|-------------------------------------------------------------------------------------------------------------------------------------------------------------|
|  <p>13mm</p> <p>6mm</p> |  <p>4x M8 X 45mm SOCKET HEAD SCREW</p> <p>8x M8 WASHER</p> <p>4x M8 LOCKNUT</p> |  <p>1x LEFT SEAT BRACKET</p> <p>1x RIGHT SEAT BRACKET</p> |

TOP VIEW OF RIGHT SEAT BRACKET

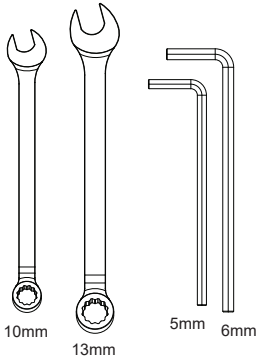


THE SEAT BRACKETS SHOULD BE ATTACHED TO THE SEAT MOUNT CROSSMEMBERS USING SLOTS WITH MATCHING LETTERS. SLOT C IS THE BEST CHOICE FOR MOST USERS.

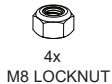
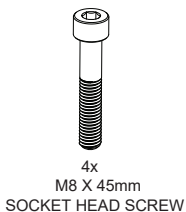


10. ATTACH BUTTKICKER MOUNT (OPTIONAL)

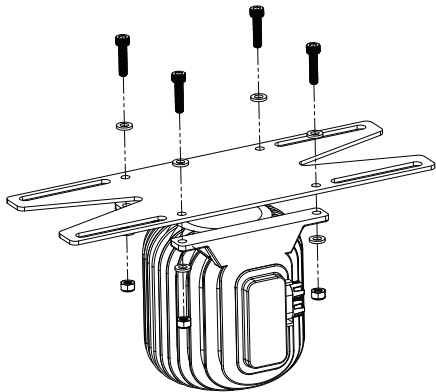
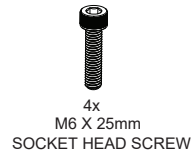
TOOLS



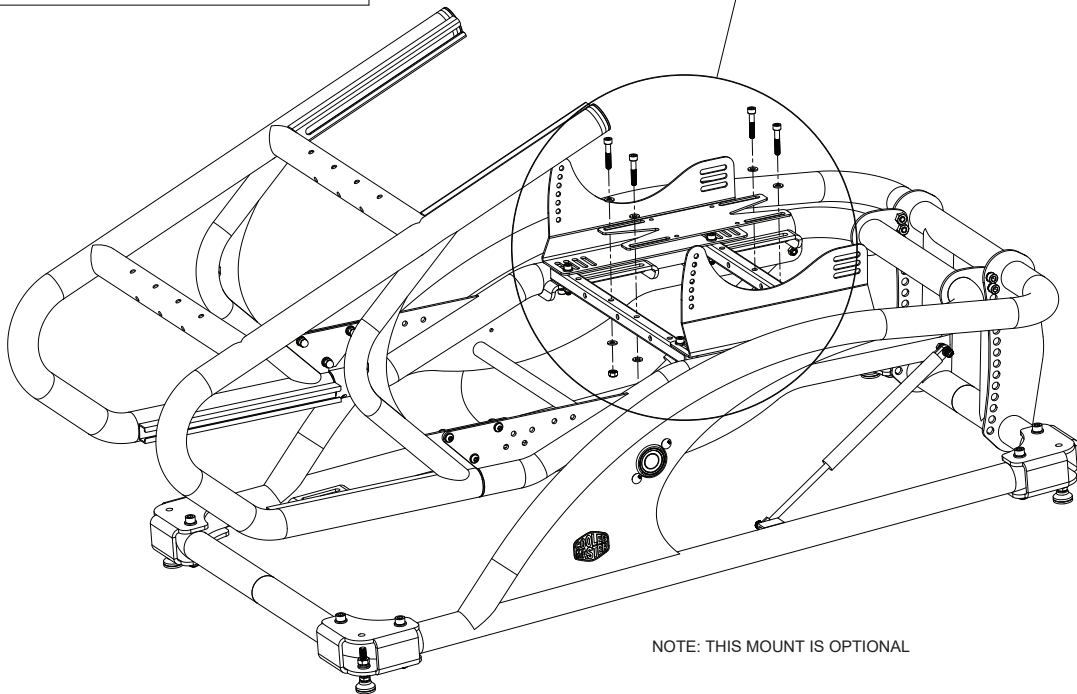
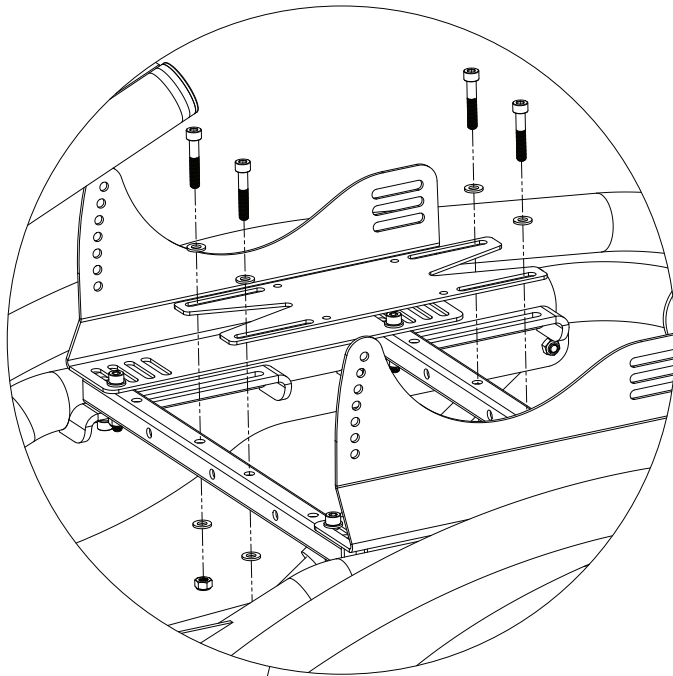
HARDWARE



OPTIONAL

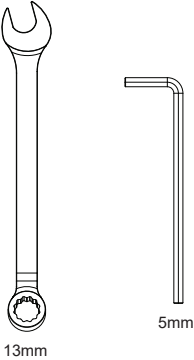



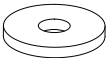

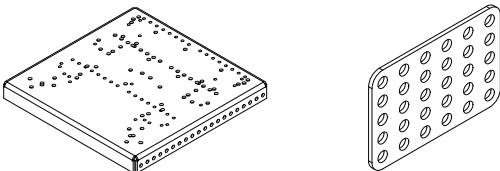
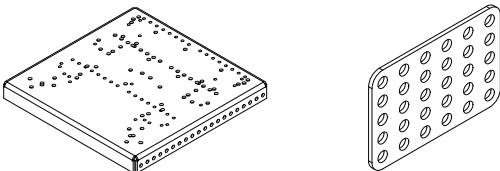


OPTIONAL: ATTACH BUTTKICKER LFE
NOTE: BUTTKICKER LFE IS NOT INCLUDED

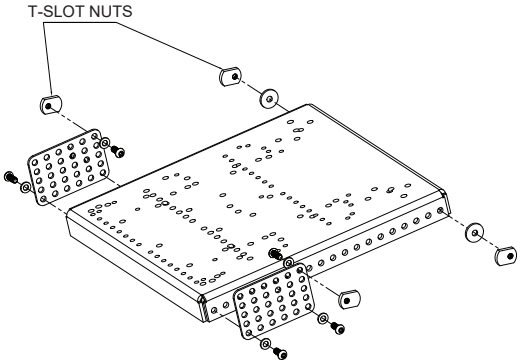


NOTE: THIS MOUNT IS OPTIONAL

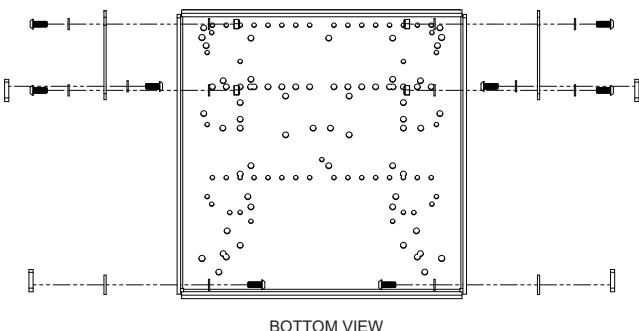
11. ATTACH PEDAL TRAY

| TOOLS | HARDWARE | | | | |
|---------------------------------------------------------------------------------------------------------------------------------------------------------------------------------------------------------------------------------------------------------------|---------------------------------------------------------------------------------------------------------------------------------|------------------------------------------------------------------------------------------------------------|----------------------------------------------------------------------------------------------------------------------------------------------------------------|---------------------------------------------------------------------------------------------------------|-----------------------------------------------------------------------------------------------------------------|
|  <p>13mm 5mm</p> |  <p>8x M8 X 25mm BUTTON HEAD SCREW</p> |  <p>12x M8 WASHER</p> |  <p>4x M8 LOCKNUT</p> |  <p>2x SPACER</p> |  <p>4x M8 T-SLOT NUT</p> |
| <th data-bbox="336 428 685 456">PARTS</th> <td colspan="3" data-bbox="685 428 1290 734">  <p>1x PEDAL TRAY</p> <p>2x HEIGHT & ANGLE ADJUSTER PLATE</p> </td> | | PARTS |  <p>1x PEDAL TRAY</p> <p>2x HEIGHT & ANGLE ADJUSTER PLATE</p> | | |

STEP 1: ASSEMBLE PEDAL TRAY
NOTE: LEAVE T-SLOT NUTS LOOSE

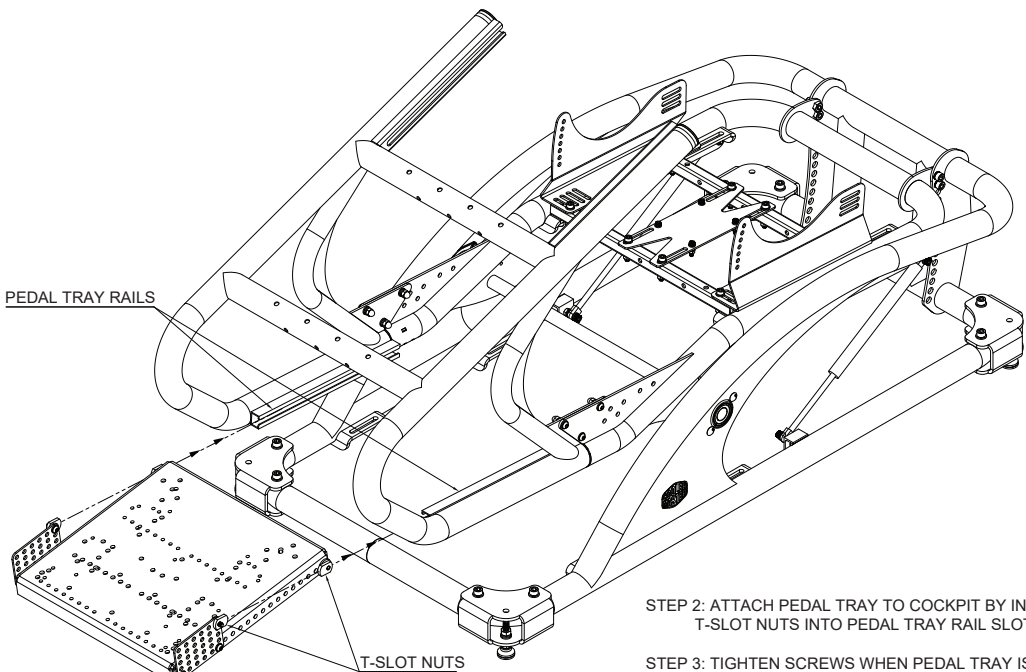


T-SLOT NUTS



BOTTOM VIEW

17



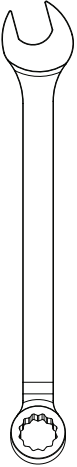
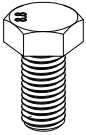
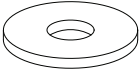
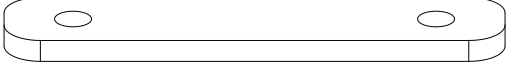
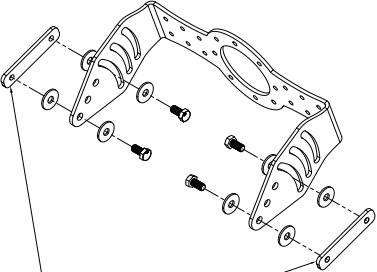
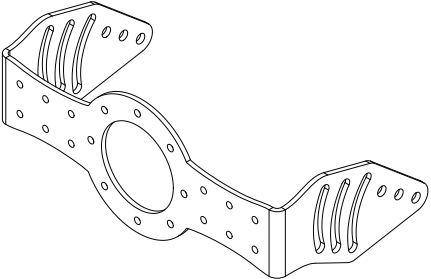
PEDAL TRAY RAILS

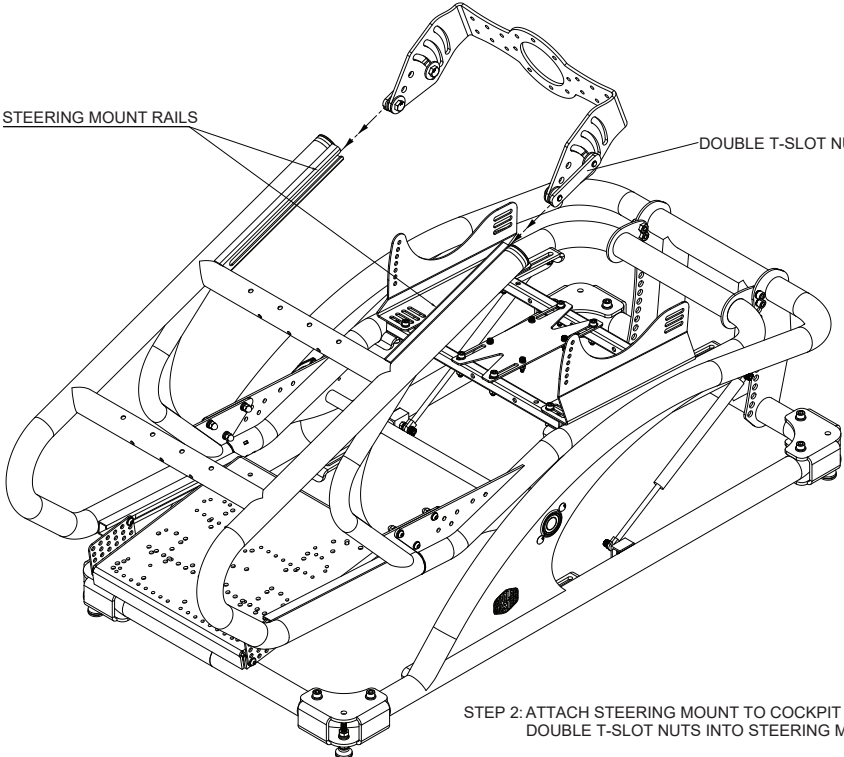
T-SLOT NUTS

STEP 2: ATTACH PEDAL TRAY TO COCKPIT BY INSERTING T-SLOT NUTS INTO PEDAL TRAY RAIL SLOTS

STEP 3: TIGHTEN SCREWS WHEN PEDAL TRAY IS AT THE DESIRED LOCATION

12. ATTACH STEERING MOUNT

| TOOL | HARDWARE | | |
|---------------------------------------------------------------------------------------------------------------------------------------------------------------------------------------------|-------------------------------------------------------------------------------------------------------------------------------|-----------------------------------------------------------------------------------------------------------------------------------|------------------------------------------------------------------------------------------------------------------------|
|  <p>19mm</p> |  <p>4x M12 X 25mm HEX HEAD SCREW</p> |  <p>8x M12 WASHER</p> |  <p>2x M12 DOUBLE T-SLOT NUT</p> |
| <p>STEP 1: ASSEMBLE STEERING MOUNT NOTE: LEAVE DOUBLE T-SLOT NUTS LOOSE</p>  <p>DOUBLE T-SLOT NUTS</p> | | <p>PART</p>  <p>1x STEERING WHEEL MOUNT</p> | |



STEERING MOUNT RAILS

DOUBLE T-SLOT NUT

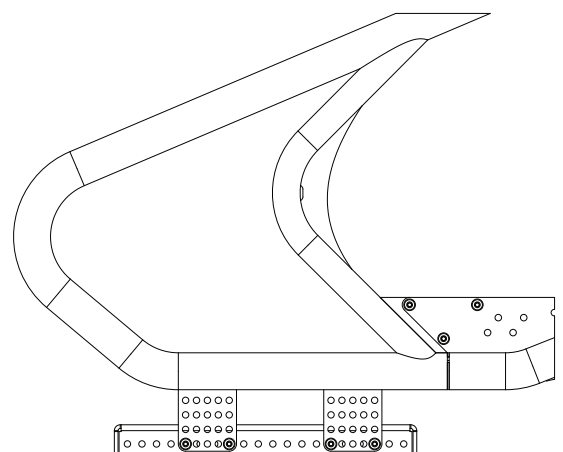
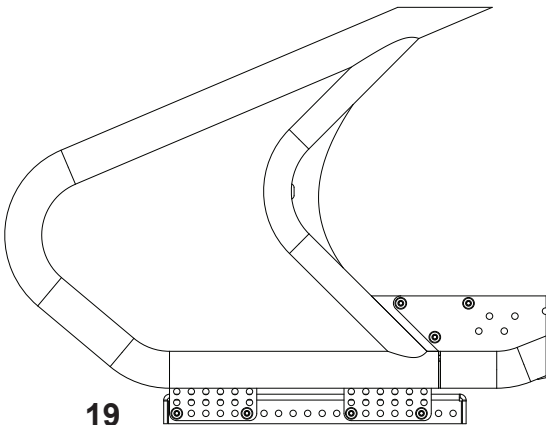
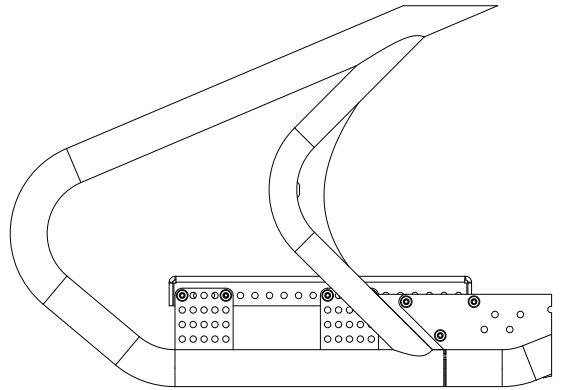
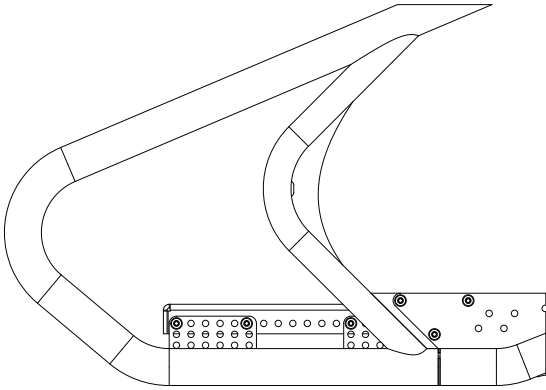
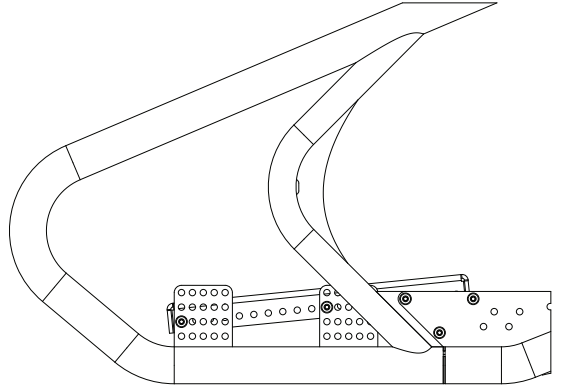
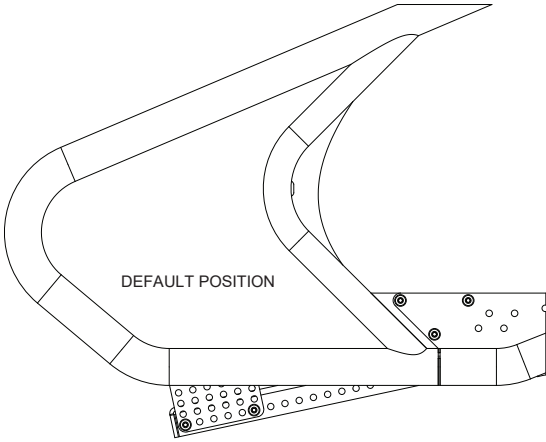
18

STEP 2: ATTACH STEERING MOUNT TO COCKPIT BY INSERTING DOUBLE T-SLOT NUTS INTO STEERING MOUNT RAIL SLOTS

STEP 3: TIGHTEN SCREWS WHEN STEERING MOUNT IS AT THE DESIRED LOCATION

PEDAL TRAY OPTIONS

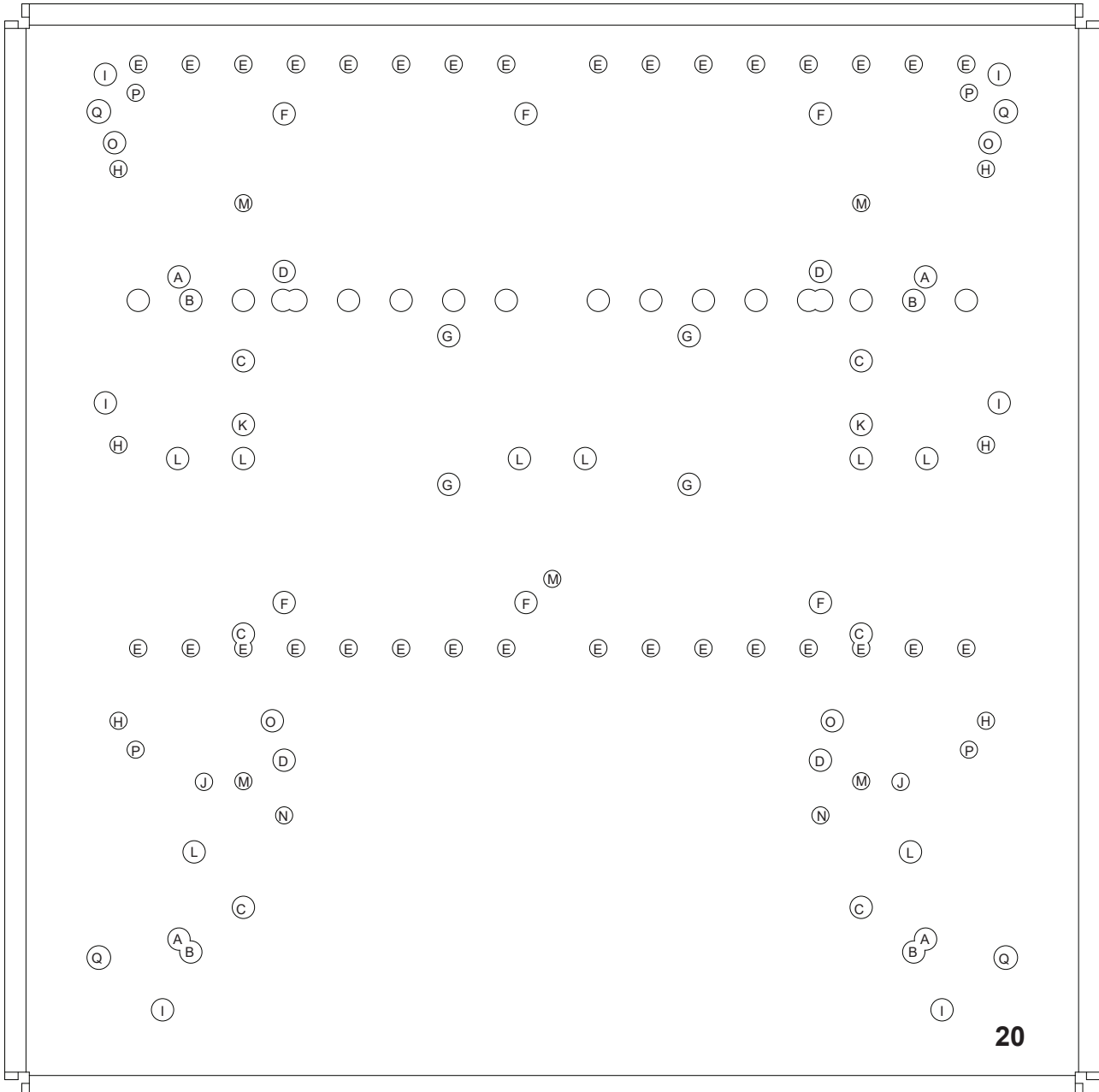
THERE ARE COUNTLESS OPTIONS OF ANGLE AND HEIGHT ADJUSTMENT
SHOWN BELOW ARE JUST A FEW EXAMPLES OF WHAT IS POSSIBLE



| PEDAL | LETTER |
|-------------------------|--------|
| DC SIM RACING | A |
| FANATEC CSP V3 | B |
| MECA EVO1 | B |
| HEUSINKVELD SPRINT | C |
| HEUSINKVELD ULTIMATE | D |
| HPP JBV | E |
| LOGITECH G29 | F |
| RICMOTEC GTPRO3 | G |
| SIM RACING PRO | H |
| SIMWORX PRO V3.1 | I |
| THRUSTMASTER TFRP | J |
| THRUSTMASTER T3PA | K |
| THRUSTMASTER T3PA PRO | L |
| THRUSTMASTER T-LCM | M |
| THRUSTMASTER TMFFB | N |
| THRUSTMASTER TPR RUDDER | O |
| WAVE ITALY | P |
| SPARCO SEAT SLIDER | Q |

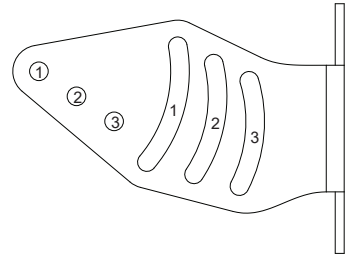
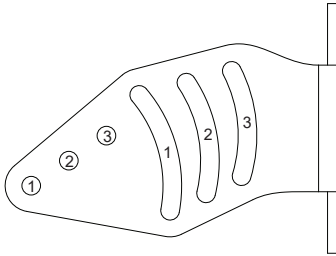
PEDAL TRAY HOLE PATTERNS

FOR A FULL LIST OF COMPATIBLE PEDAL SETS, PLEASE VISIT: www.coolermaster.com

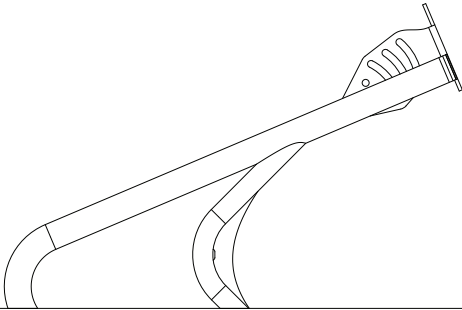


STEERING MOUNT OPTIONS

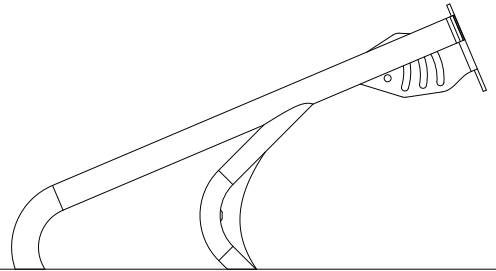
THERE ARE 3 REGULAR AND 3 INVERTED MOUNTING OPTIONS



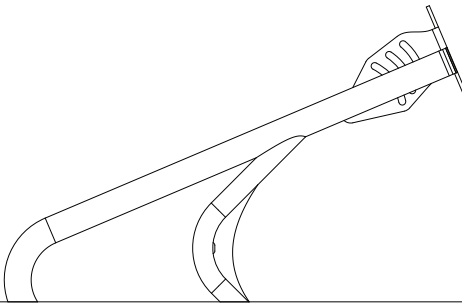
REGULAR - POSITION #1 (DEFAULT)



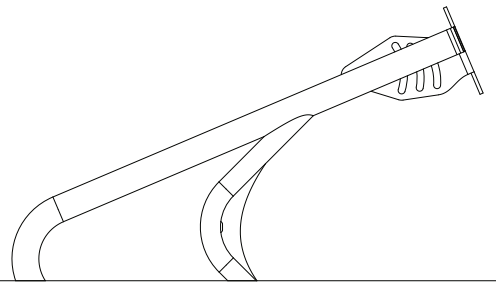
INVERTED - POSITION #1



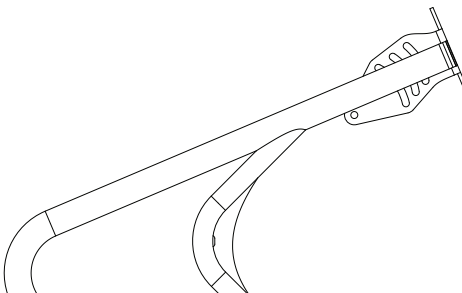
REGULAR - POSITION #2



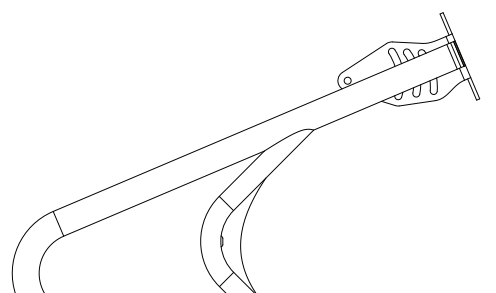
INVERTED - POSITION #2



REGULAR - POSITION #3



INVERTED - POSITION #3

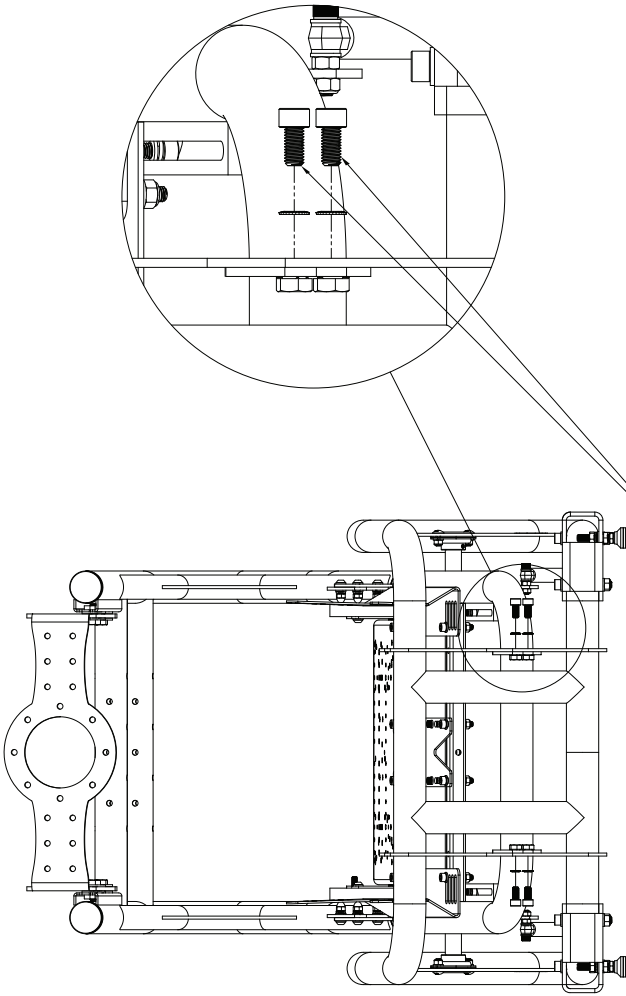
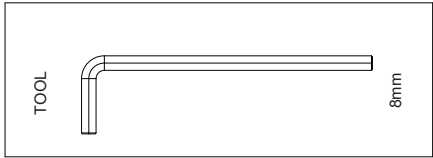


CHANGING DRIVING POSITION

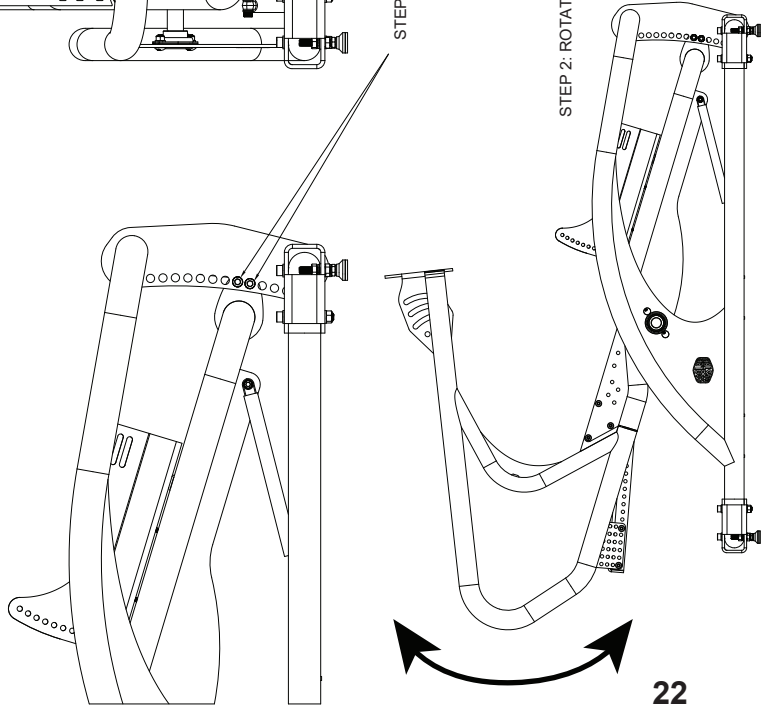
WARNING: PINCHING HAZARD

IMPORTANT: MAKE SURE A PERSON IS NOT SITTING IN THE DYN X WHILE CHANGING THE POSITION

IMPORTANT: HAVE ANOTHER PERSON HELP YOU CHANGE THE DRIVING POSITION OF THE DYN X



STEP 1: REMOVE 4 SCREWS AT THE REAR OF THE DYN X

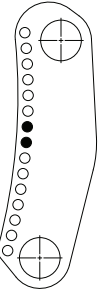
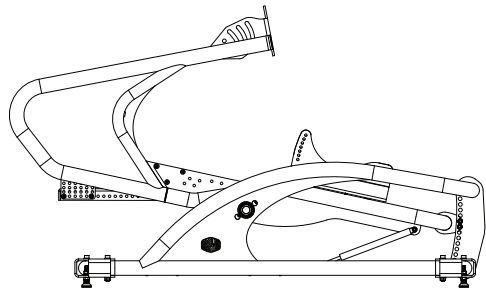
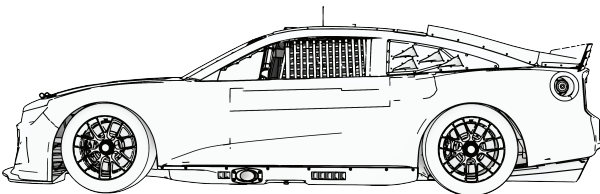
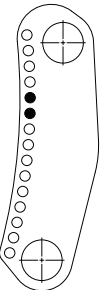
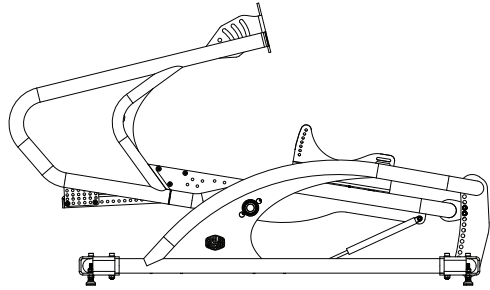
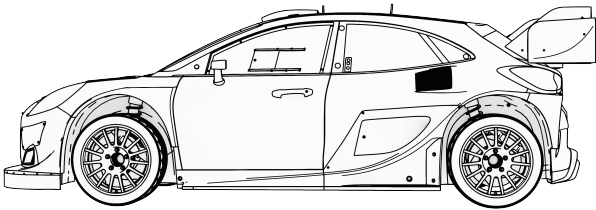
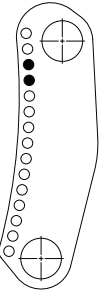
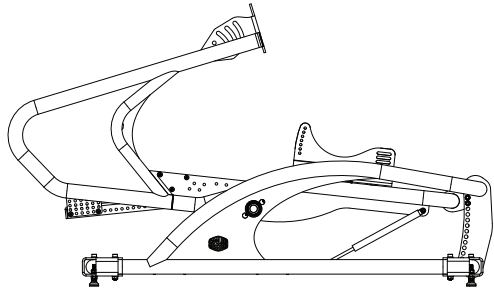
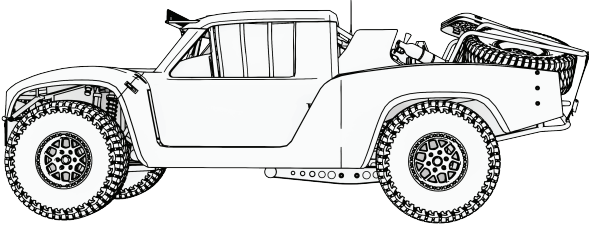
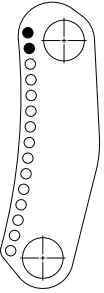
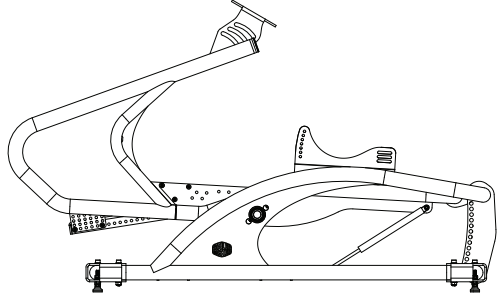
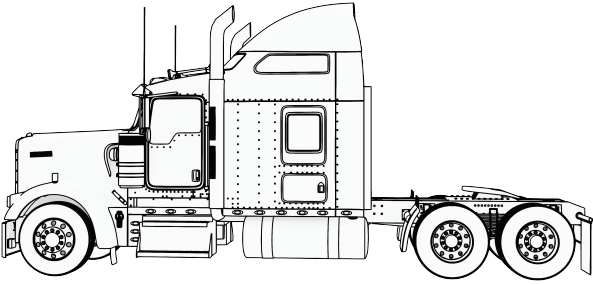


STEP 2: ROTATE COCKPIT TO DESIRED POSITION AND REINSERT THE 4 SCREWS, USING LOCK WASHERS

STEP 3: TIGHTEN SCREWS WITH 8mm HEX KEY

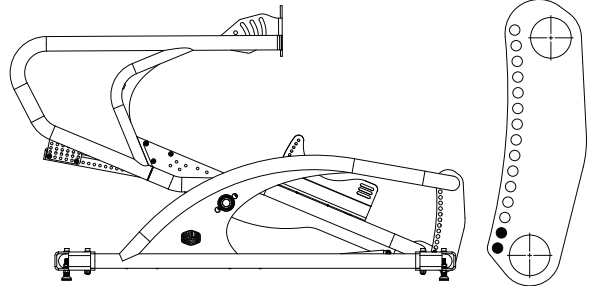
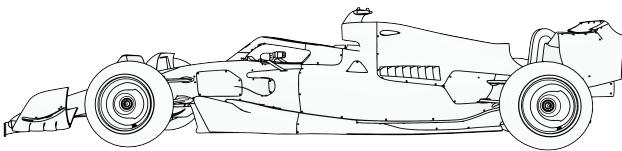
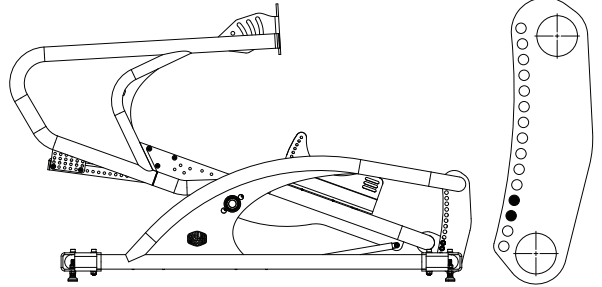
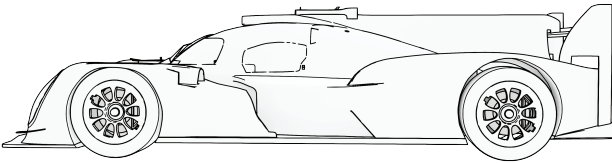
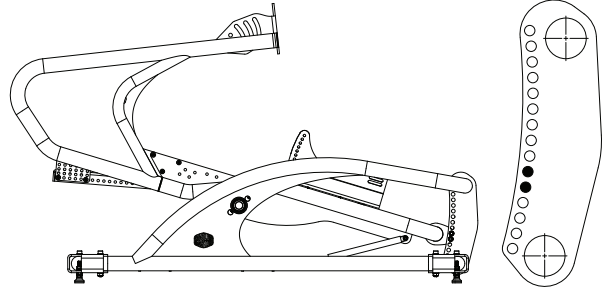
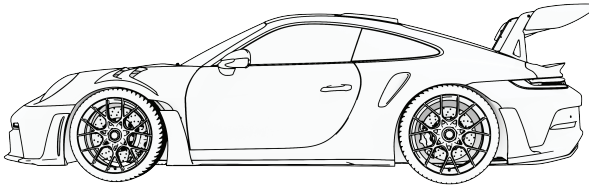
DRIVING POSITIONS

THE DYN X CAN SIMULATE MANY DIFFERENT VEHICLES AND AIRCRAFT
BELOW ARE A FEW EXAMPLES OF WHAT IS POSSIBLE



DRIVING POSITIONS

THE DYN X CAN SIMULATE MANY DIFFERENT VEHICLES AND AIRCRAFT
BELOW ARE A FEW EXAMPLES OF WHAT IS POSSIBLE



WARRANTY

Please visit: www.cooler-master.com for the terms of the warranty.

