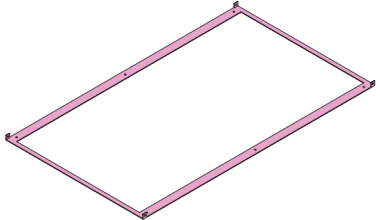
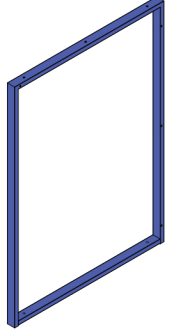
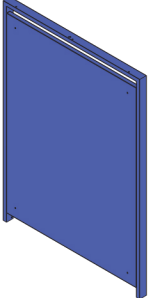
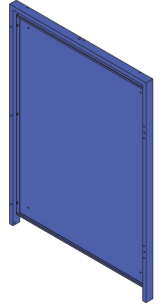
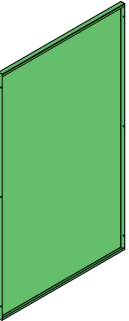
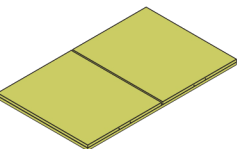
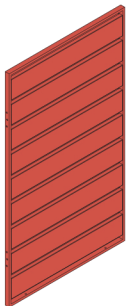
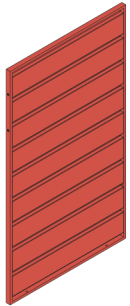
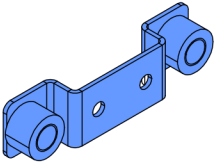
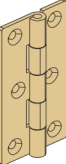
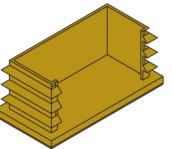
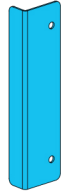
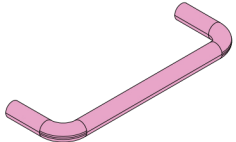
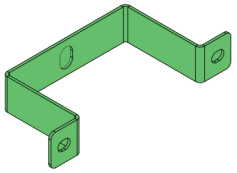

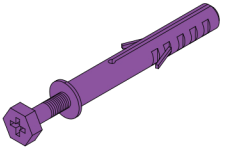
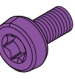
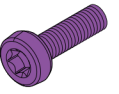
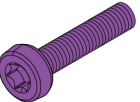
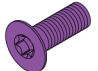
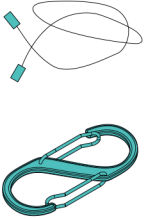


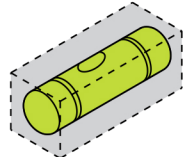
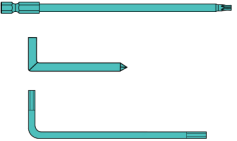
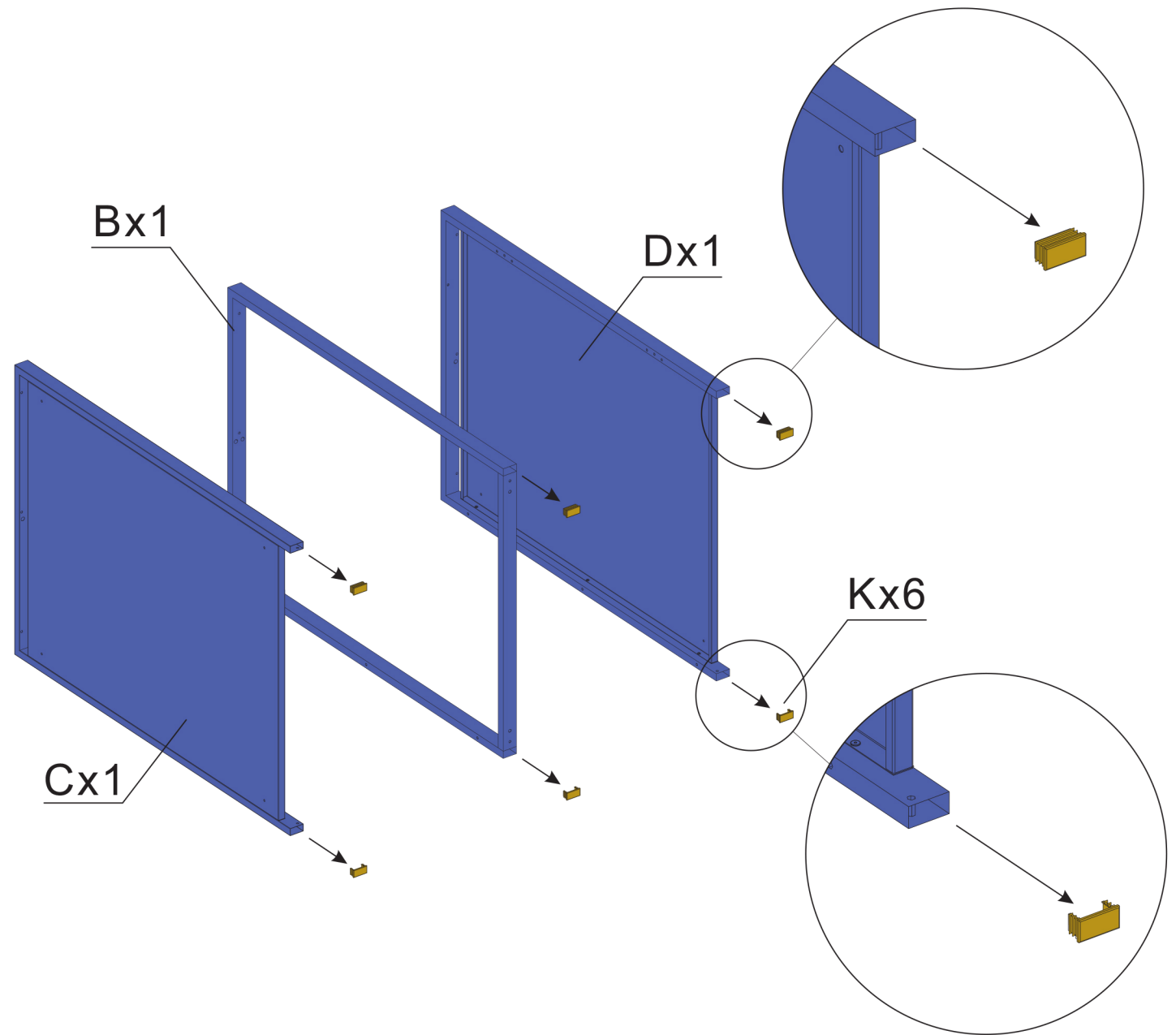
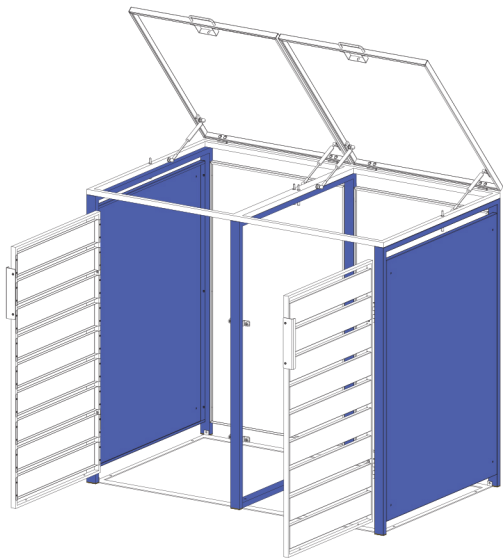
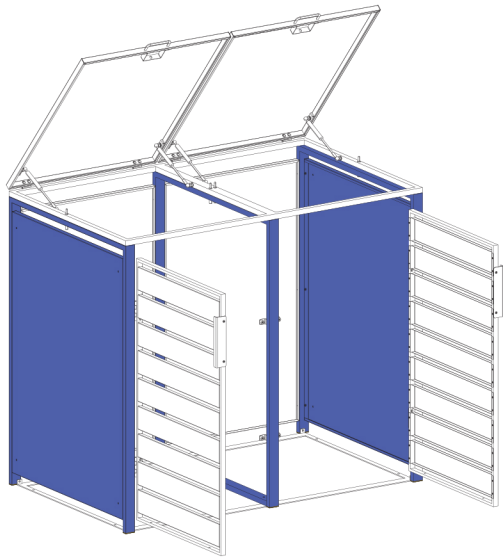


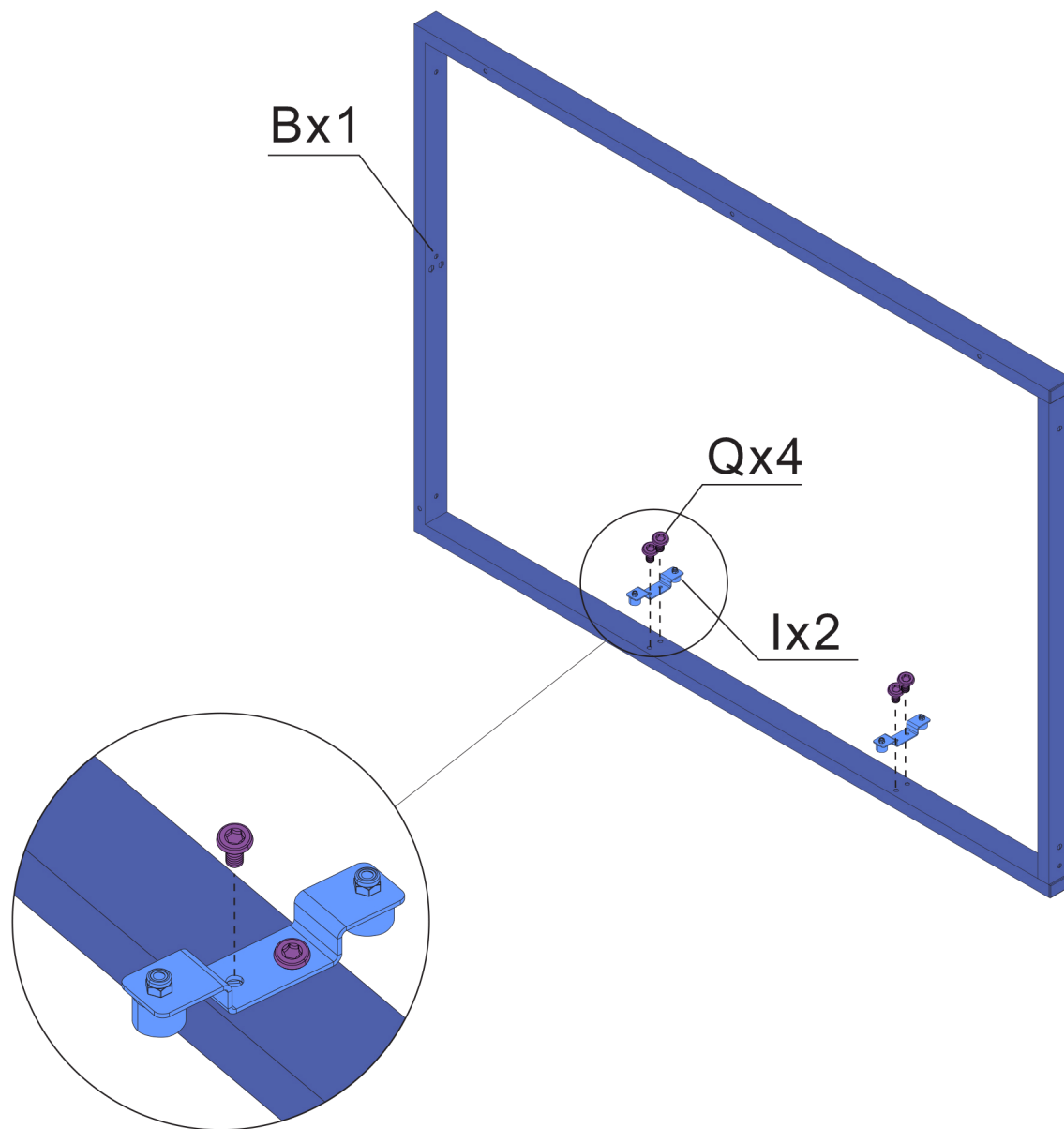
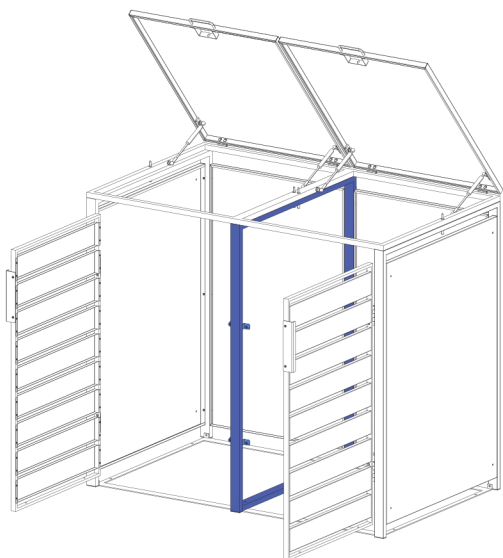
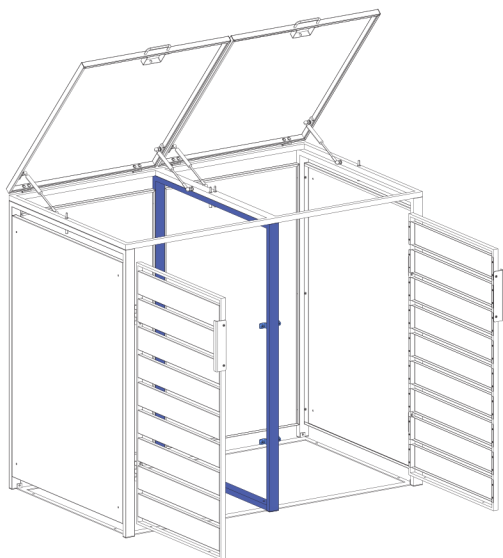
Ax1 	Bx1 	Cx1 	Dx1 	Ex2 		
Fx1 	Gx1 	Hx1 	Ix2 	Jx4 	Kx6 	
Lx2 	Mx2 	Nx2 	Ox4 	Px6 	Qx20  M4x10mm	Rx8  M4x20mm
Sx9  M4x30mm	Tx30  M4x14mm	Ux2 	Vx4 	Wx4 	Xx1 	Yx1 

Note: When using an additional Supplementary element, pls use part R, V, W.

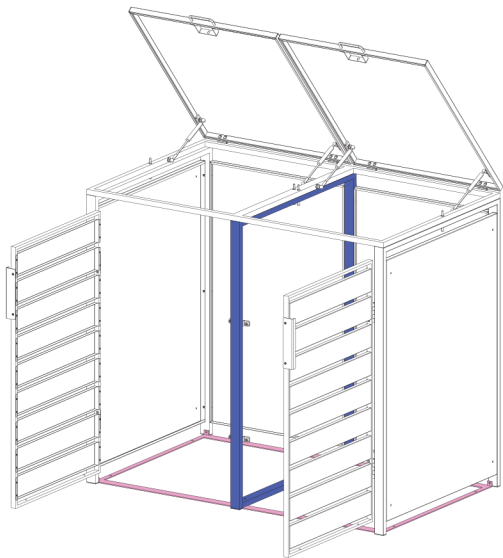
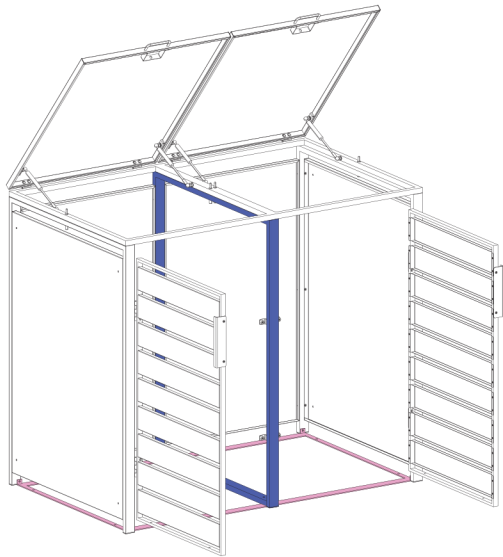
STEP 1



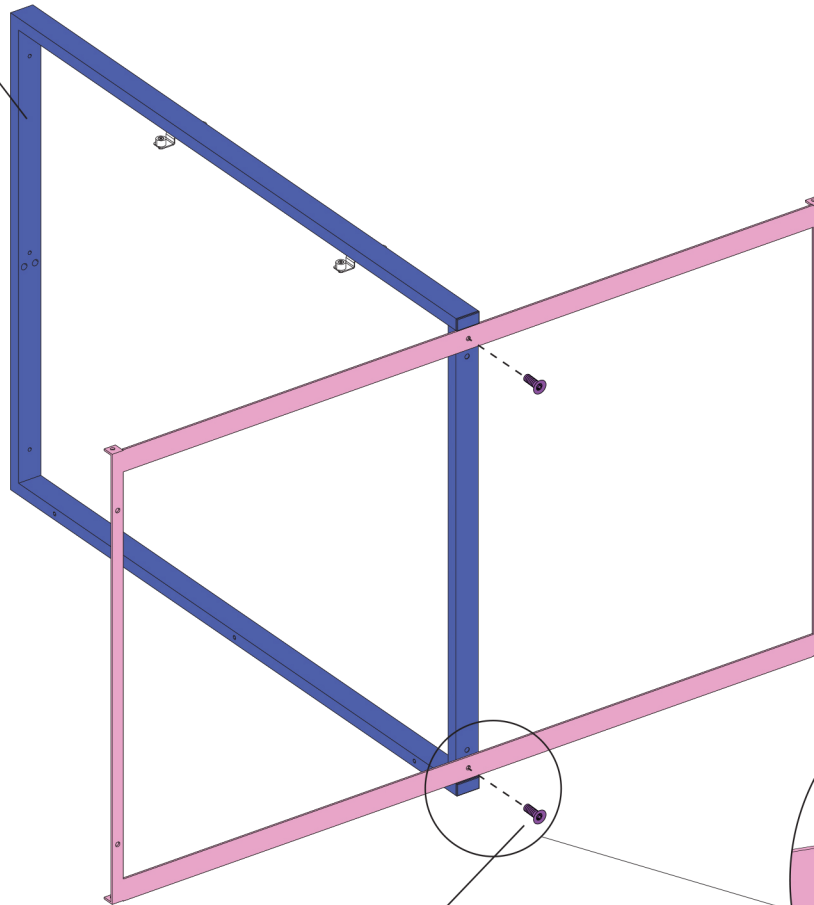
STEP 2



STEP 3



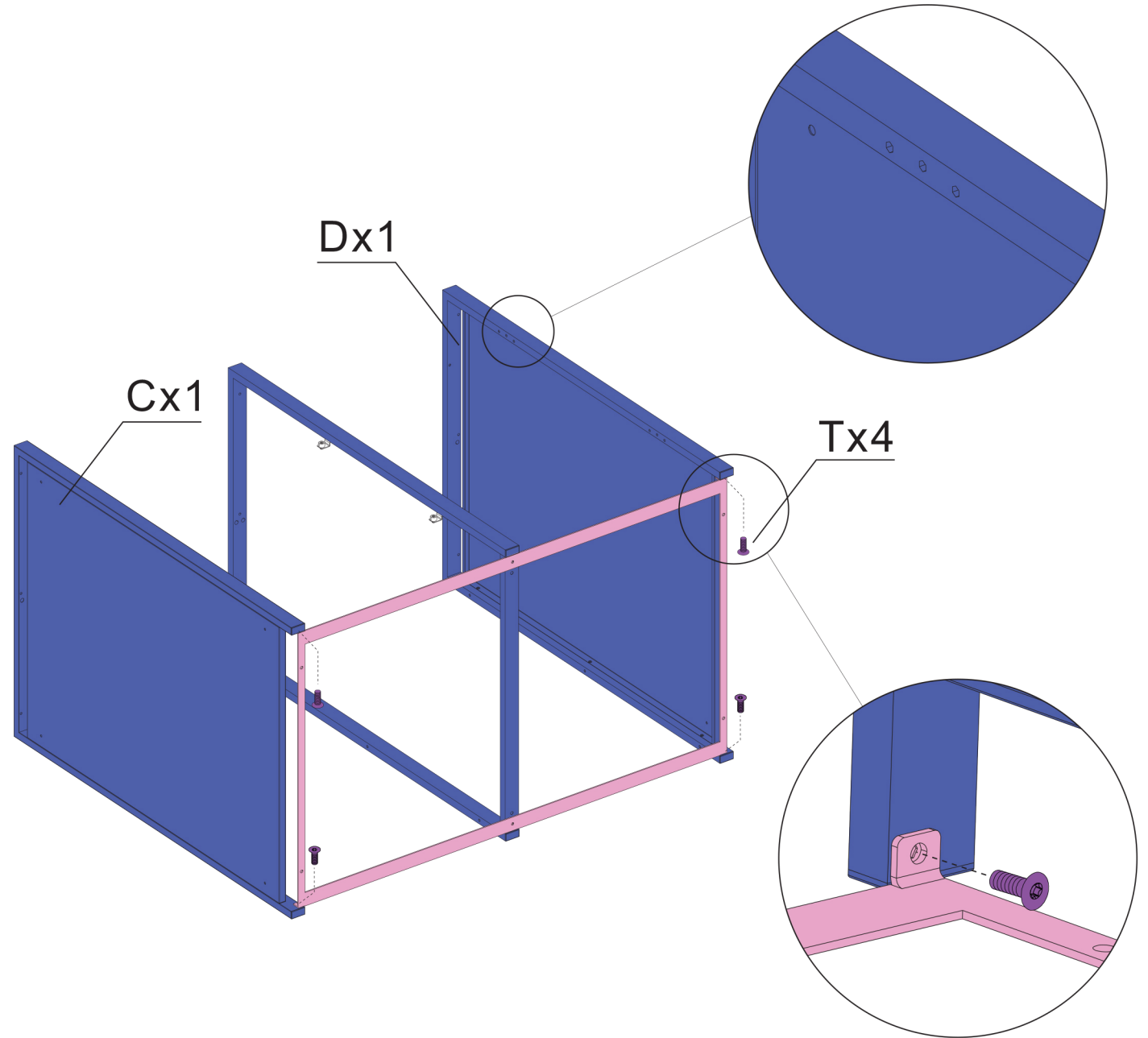
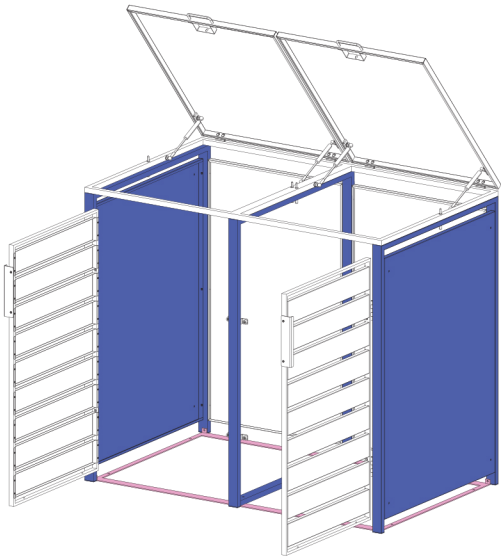
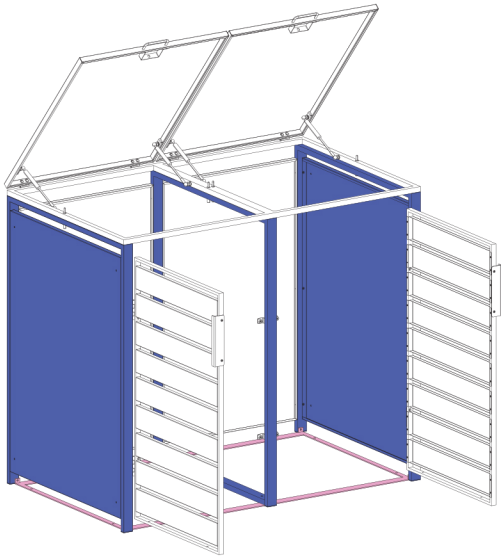
Bx1



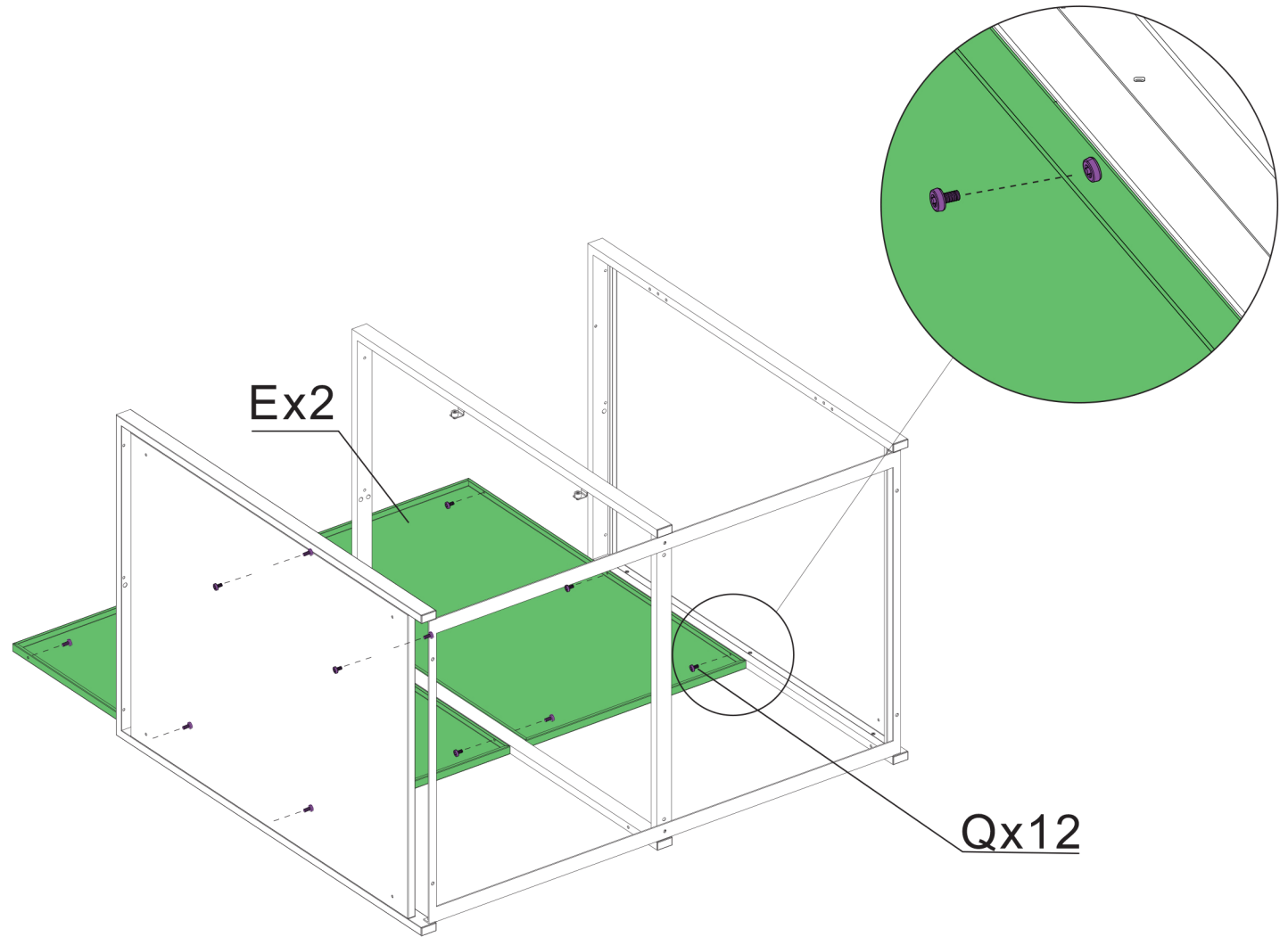
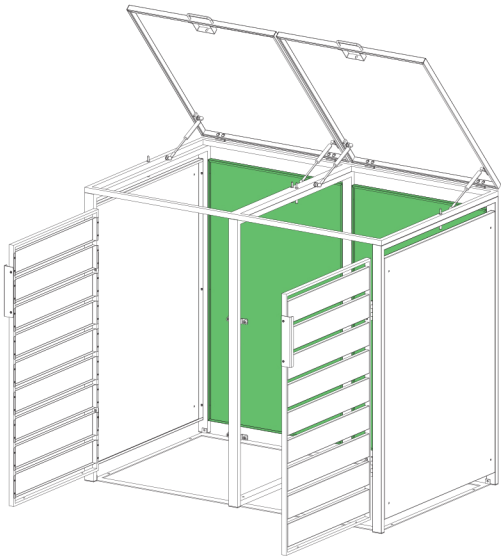
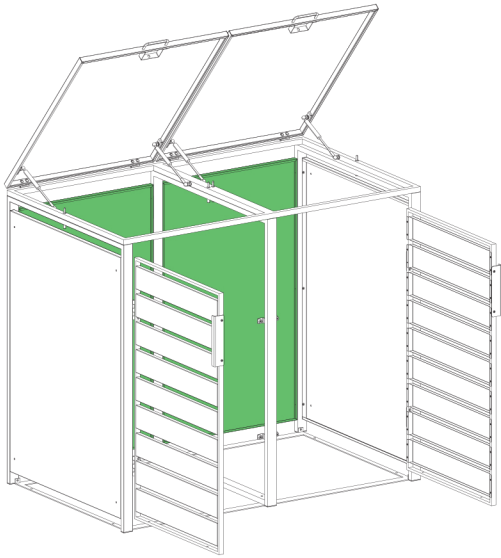
Ax1

Tx2

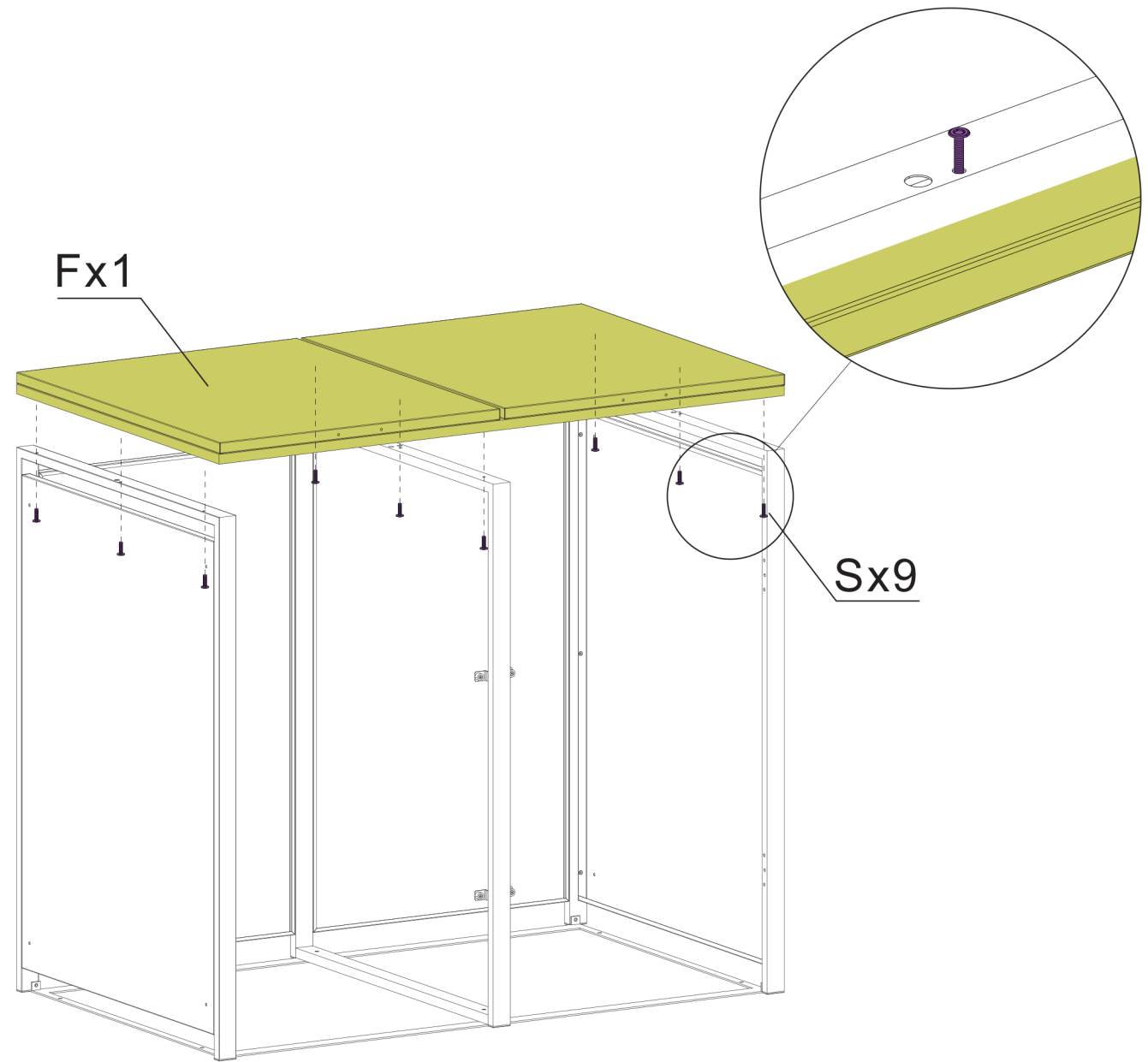
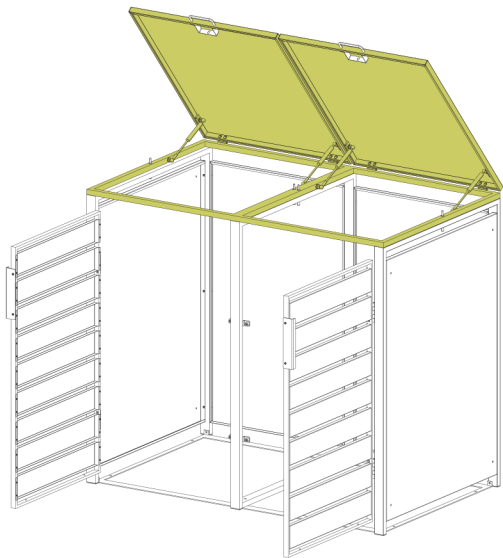
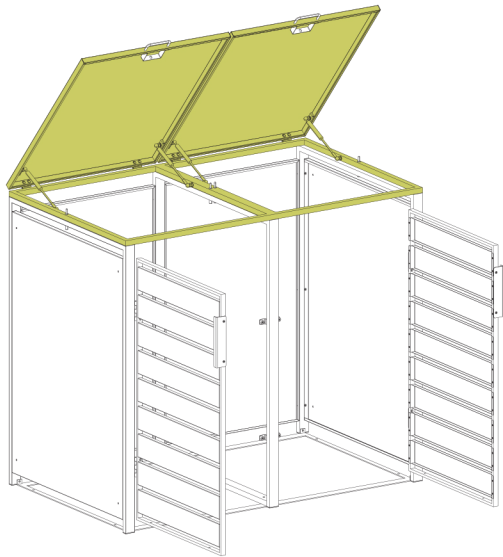
STEP 4



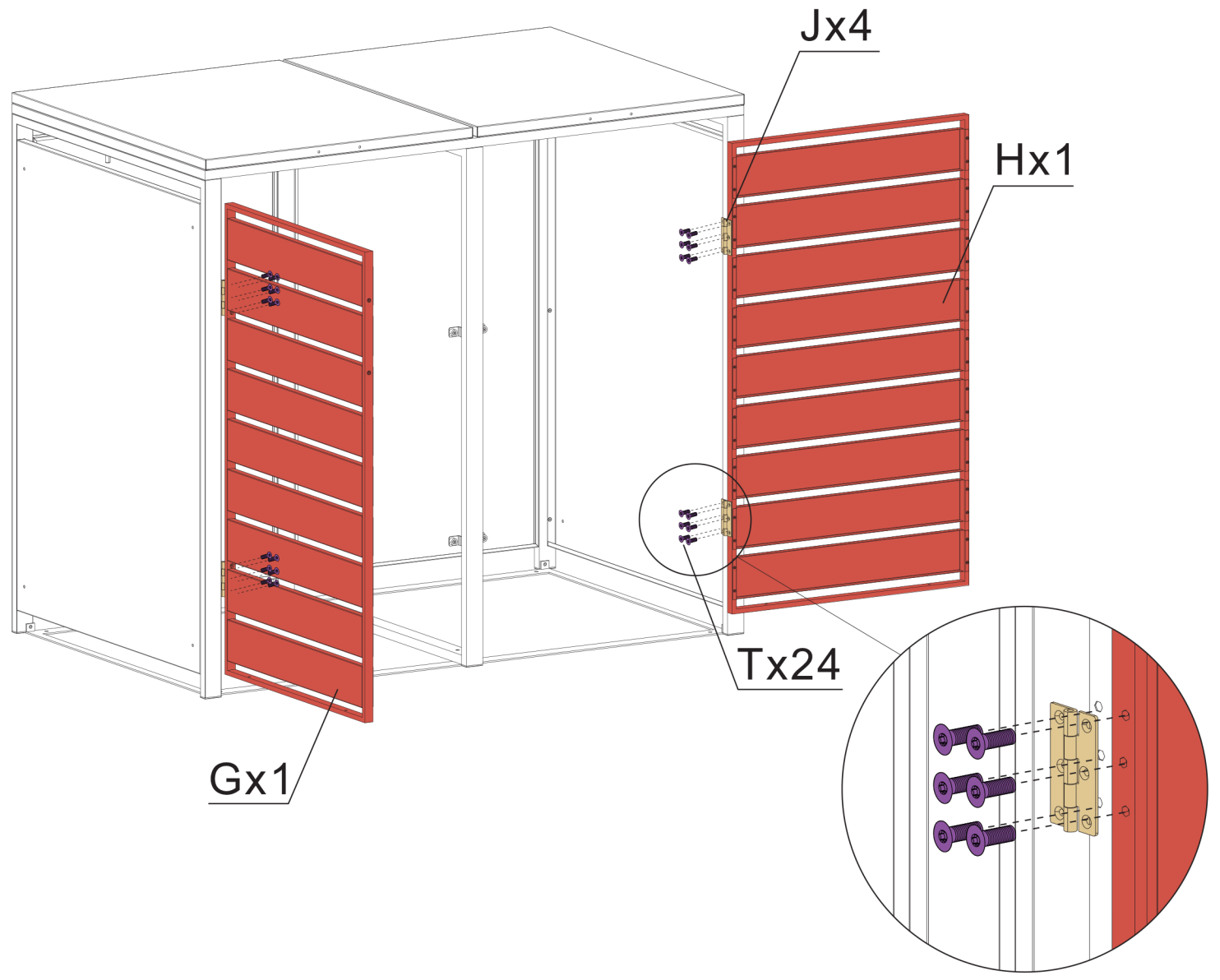
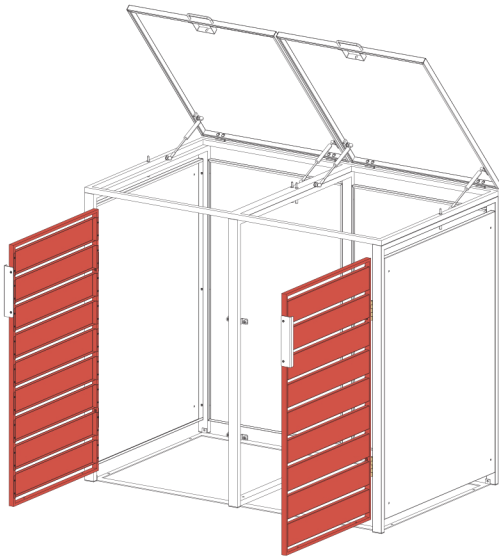
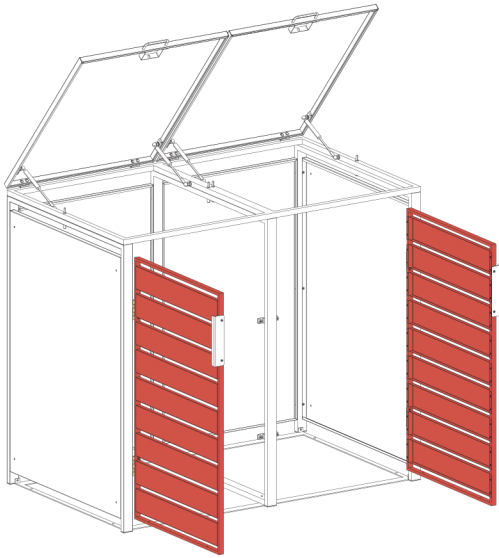
STEP5



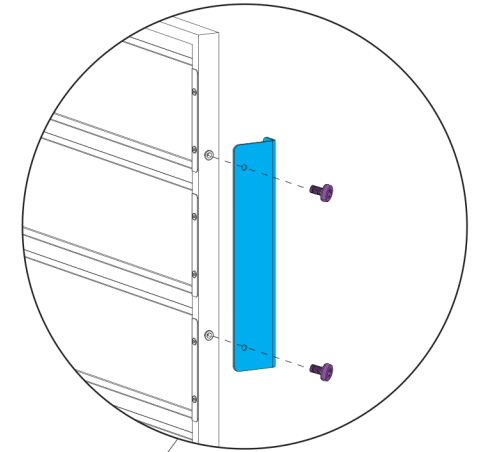
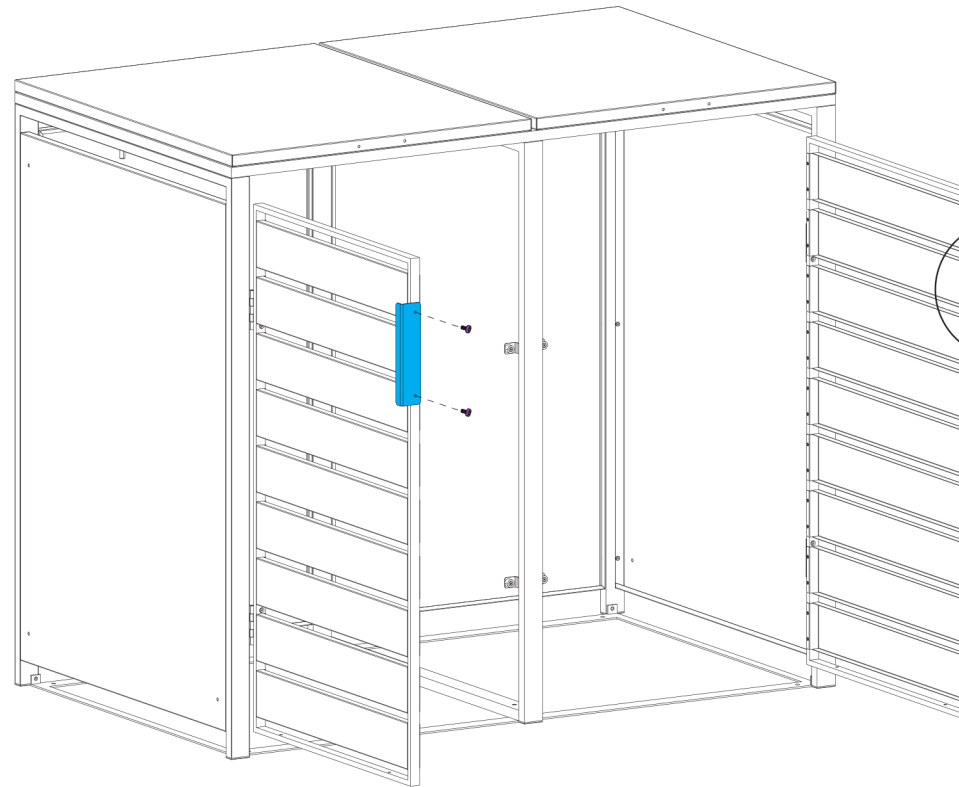
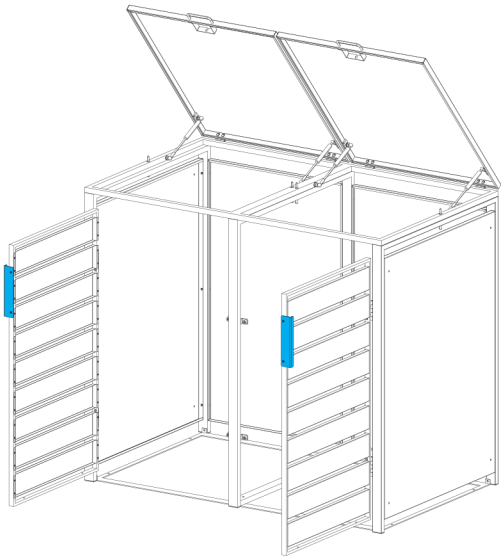
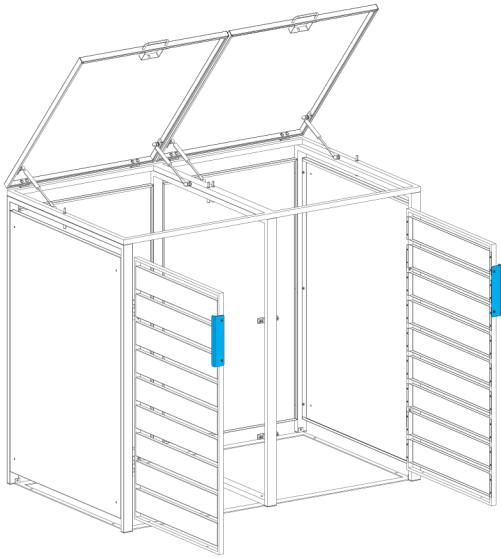
STEP 6



STEP 7



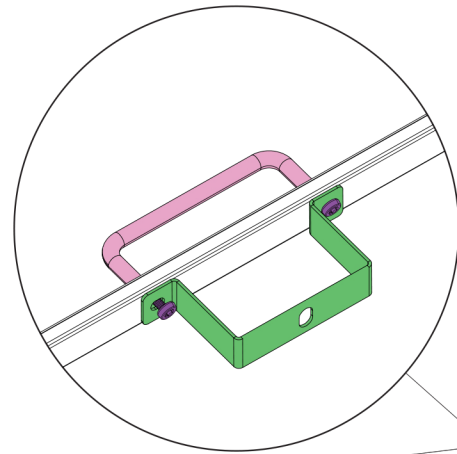
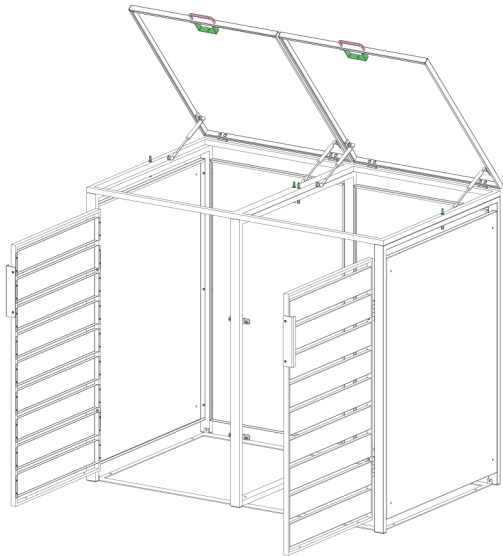
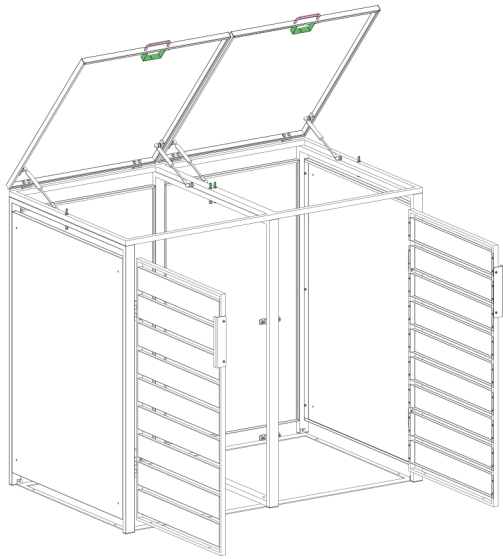
STEP 8



Qx4

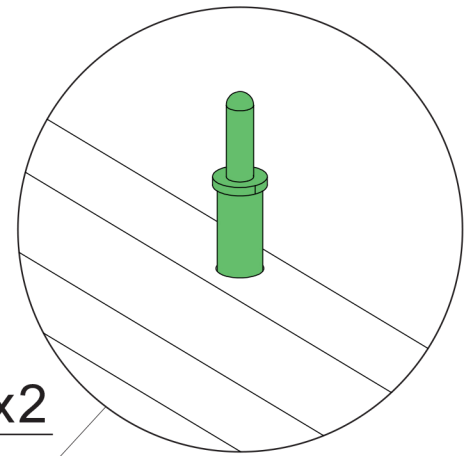
Lx2

STEP 9



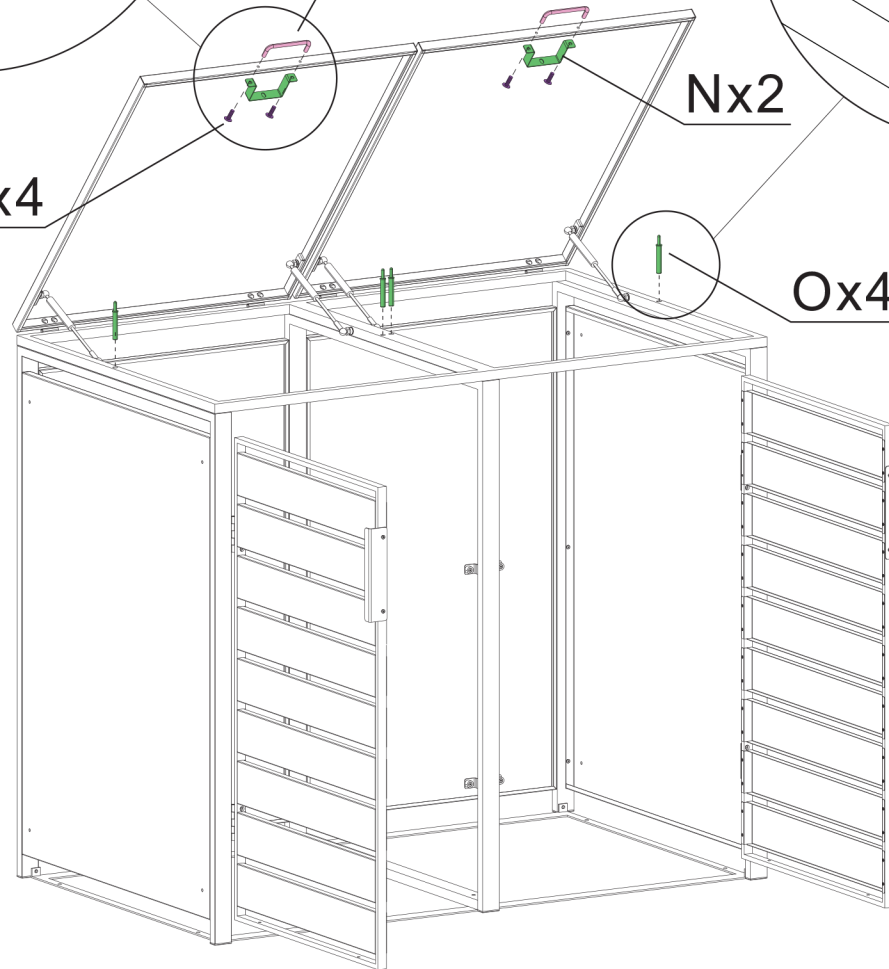
Mx2

Nx2

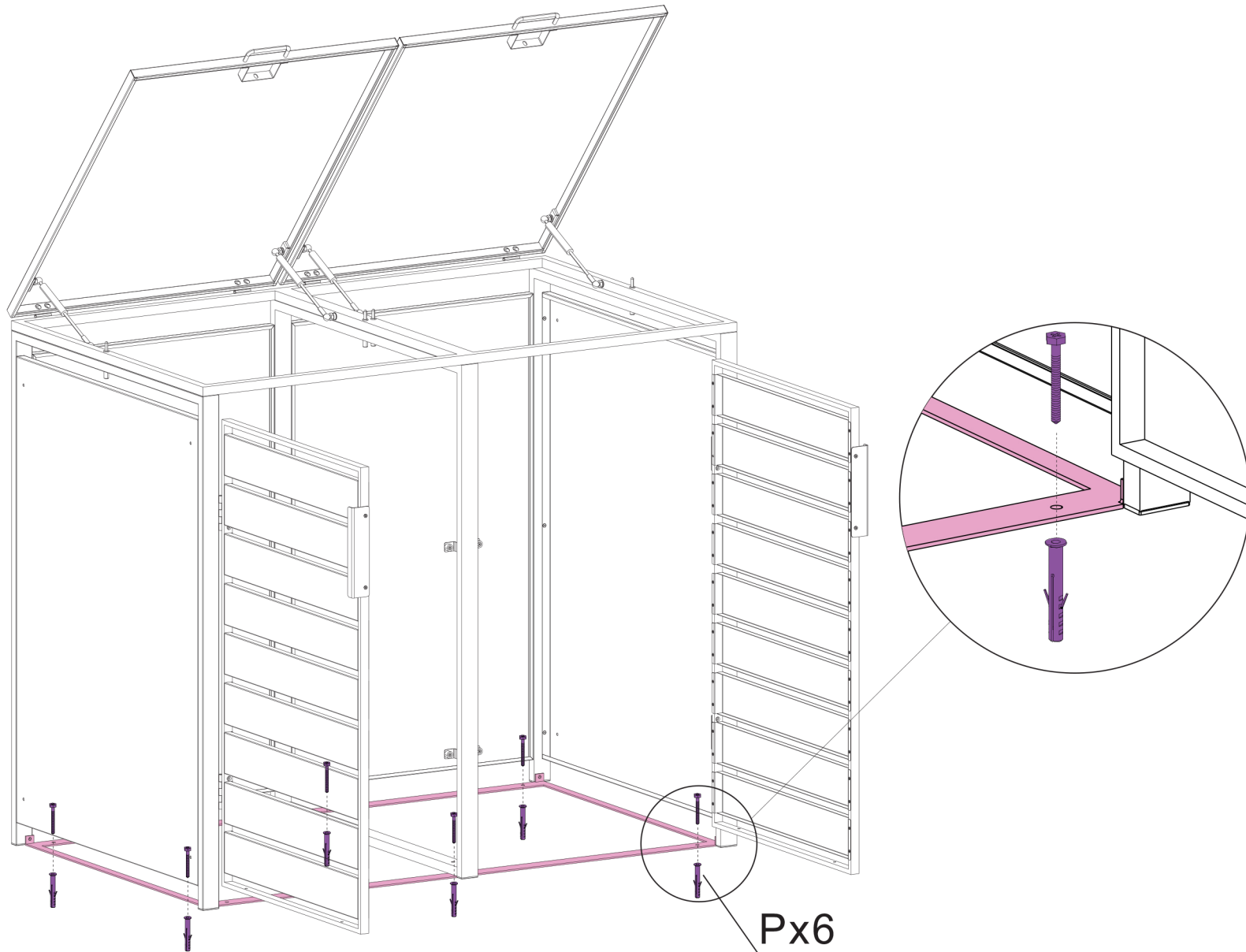


Rx4

Ox4



STEP 10



STEP 11

