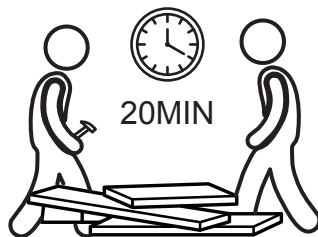
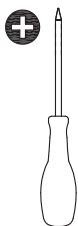
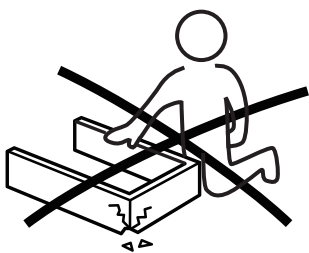
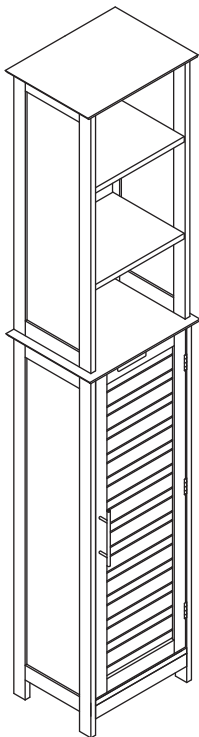
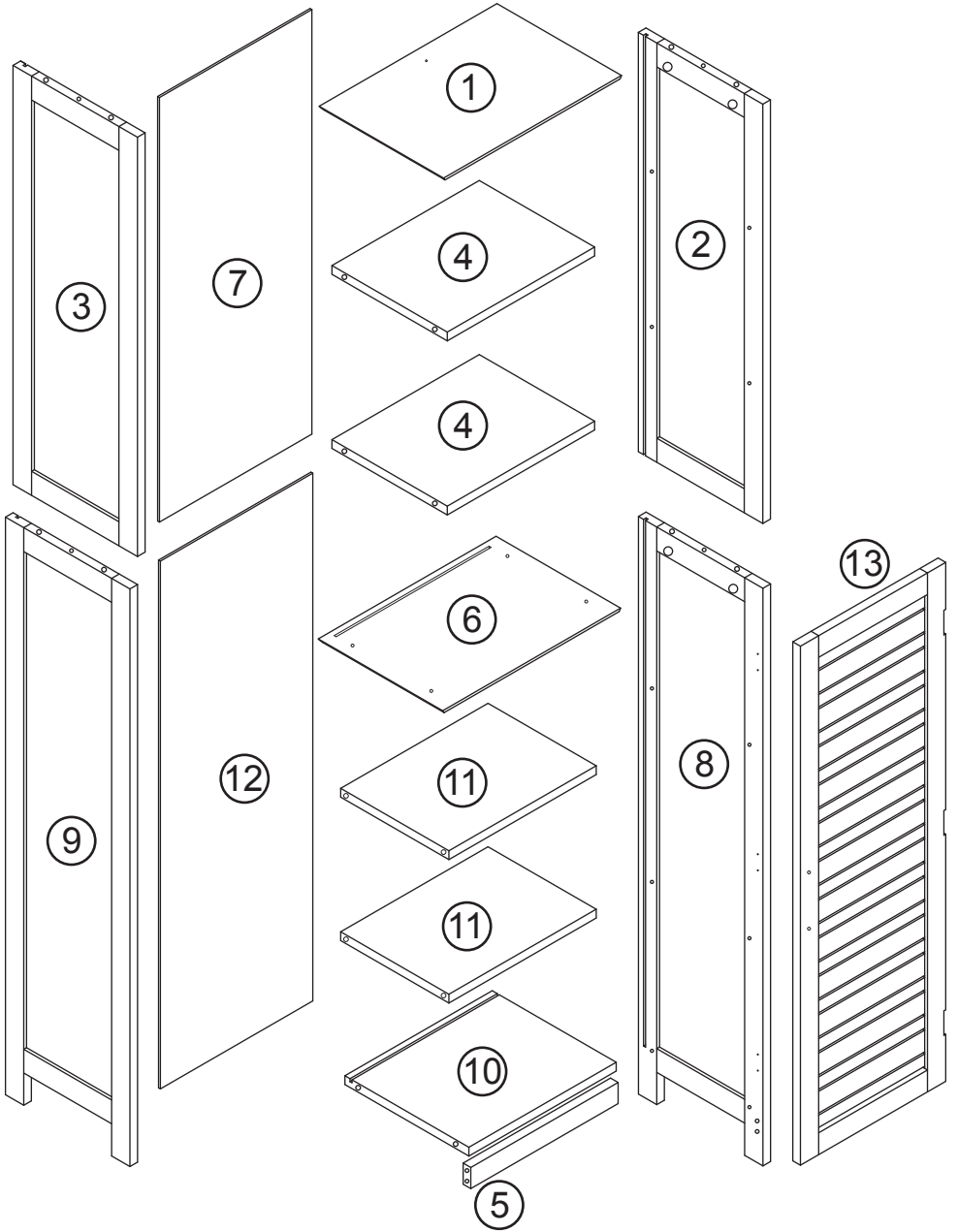
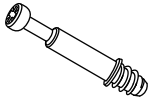


9901-306





Ax28



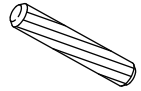
6x35mm

Bx28



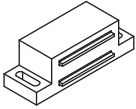
15x12mm

Cx8



6x30mm

Dx1



Ex10



3x14mm

Fx3



Gx13

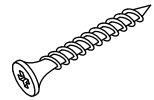


3x12mm

Hx1



Ix5

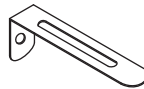


4x35mm

Jx1



Kx1



Lx8



Mx1



Nx8

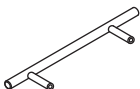


Ox2

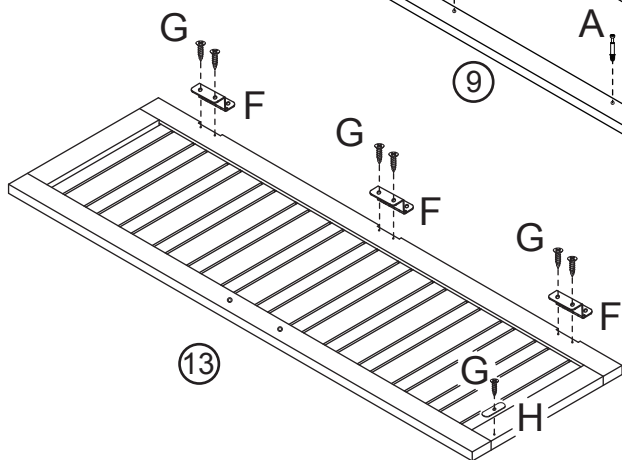
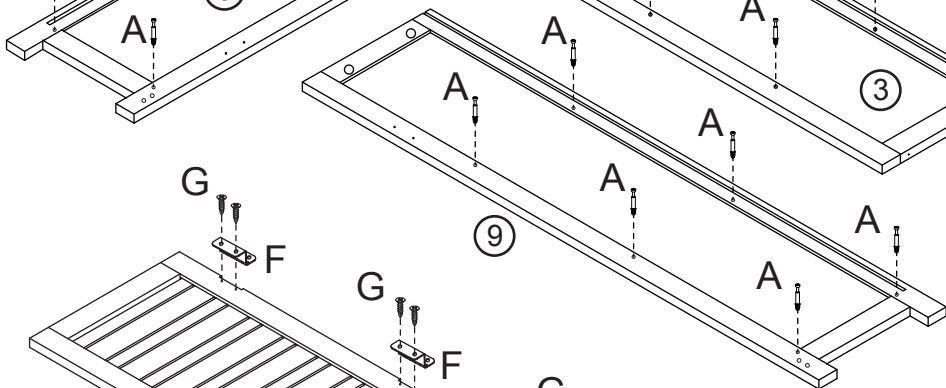
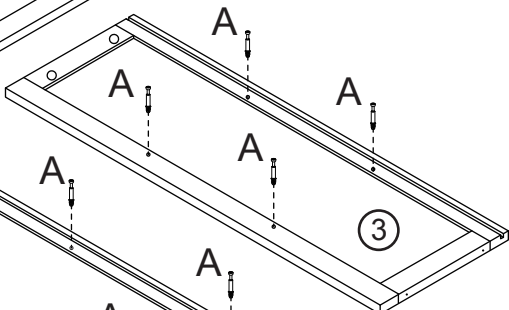
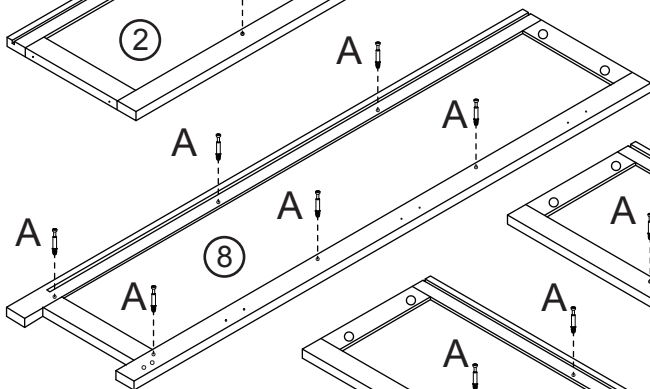
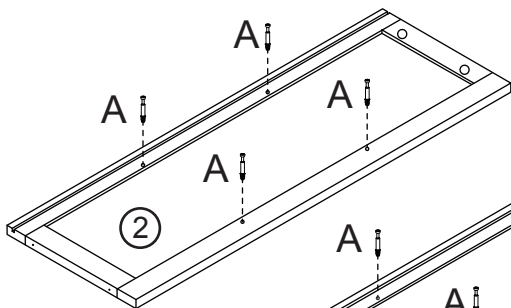
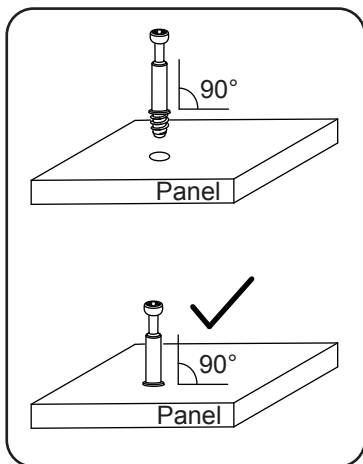
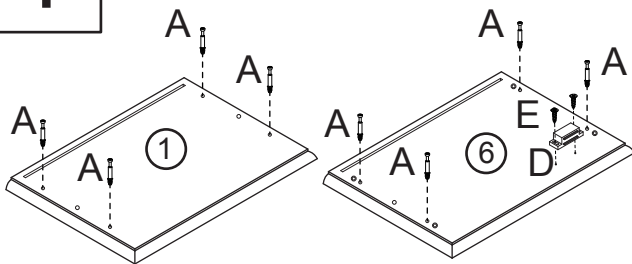


4x18mm

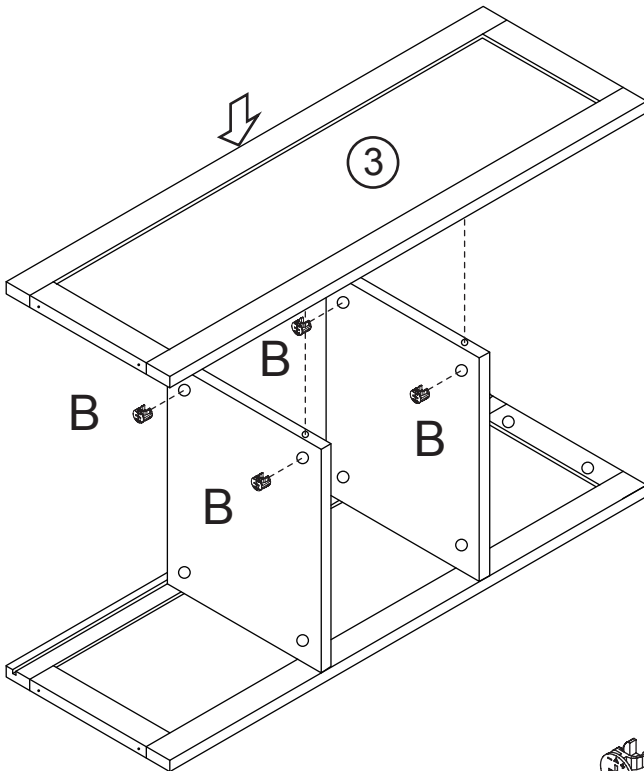
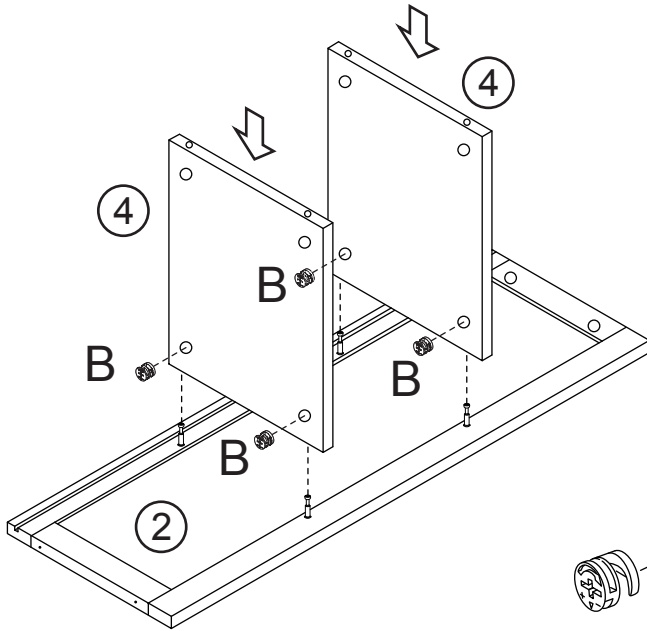
Px1



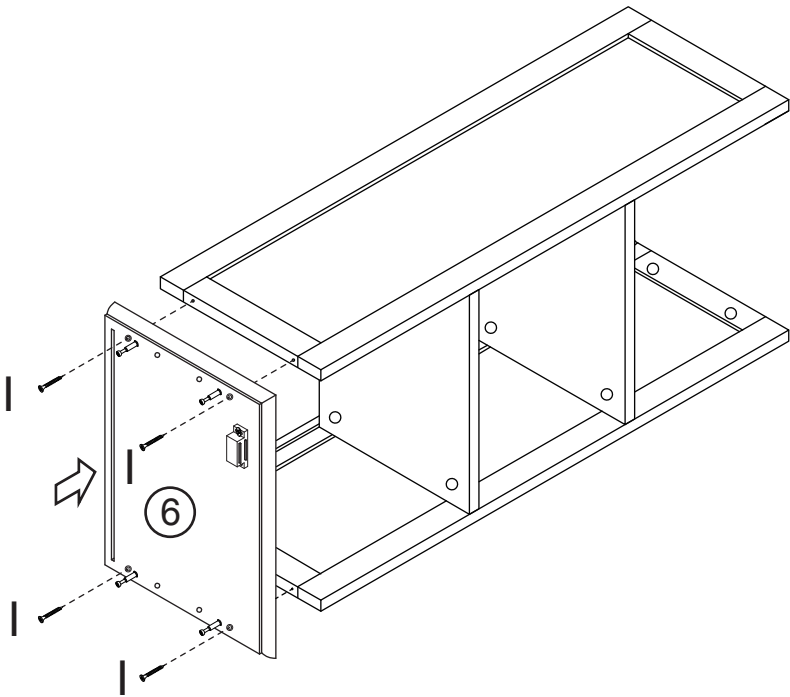
1



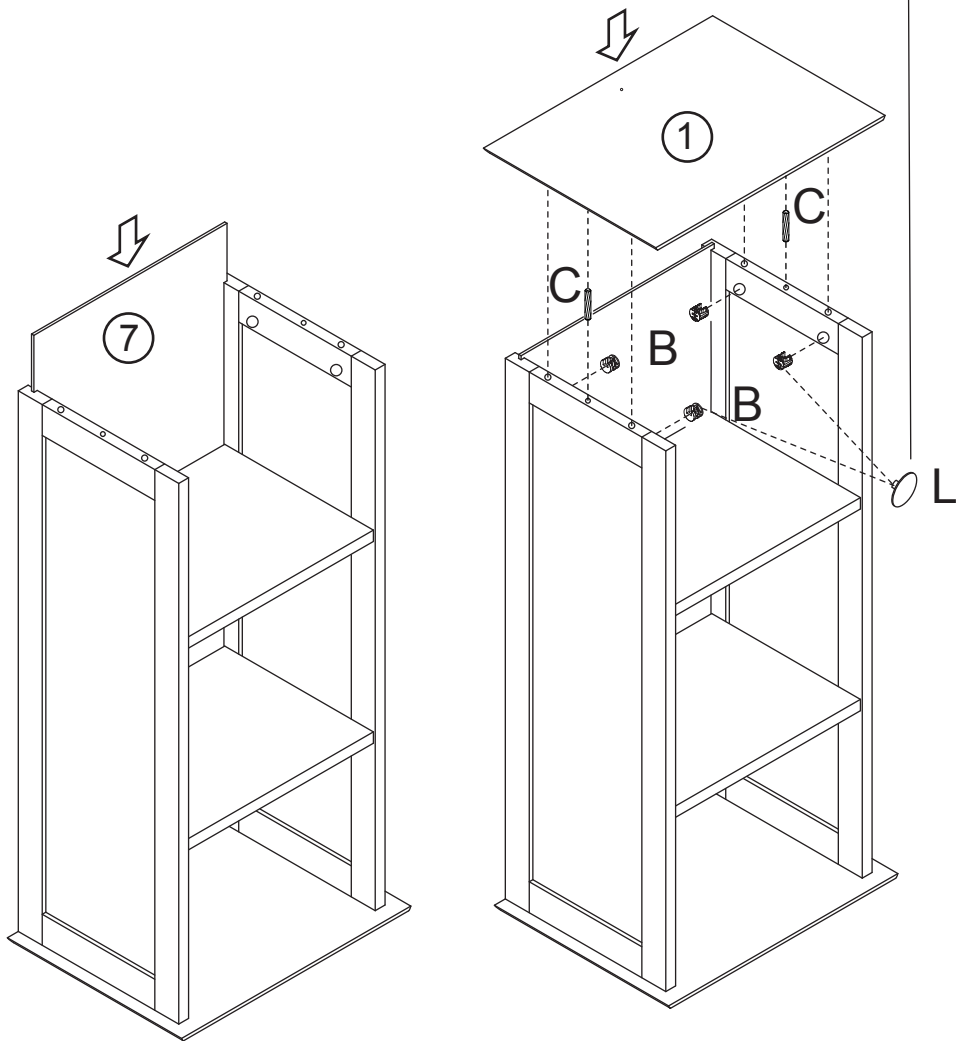
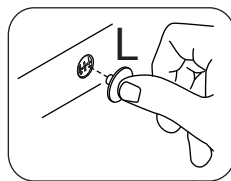
2



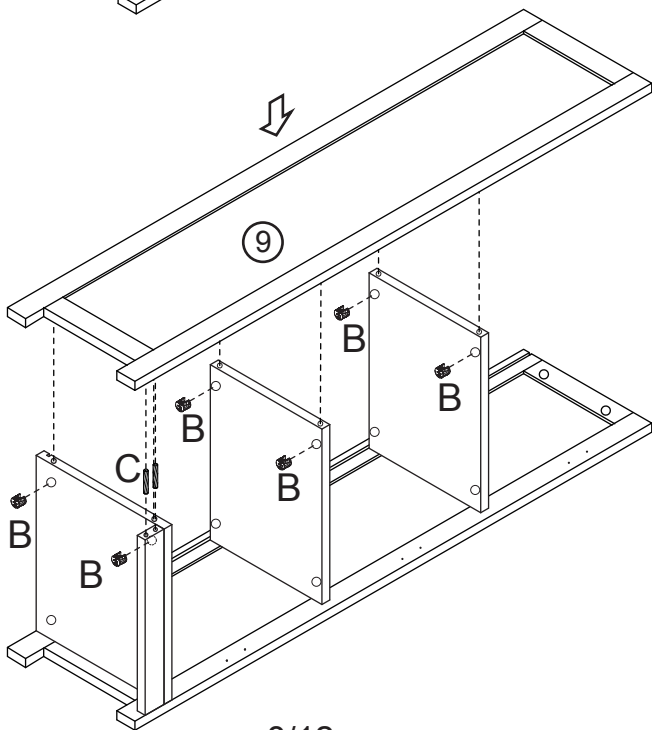
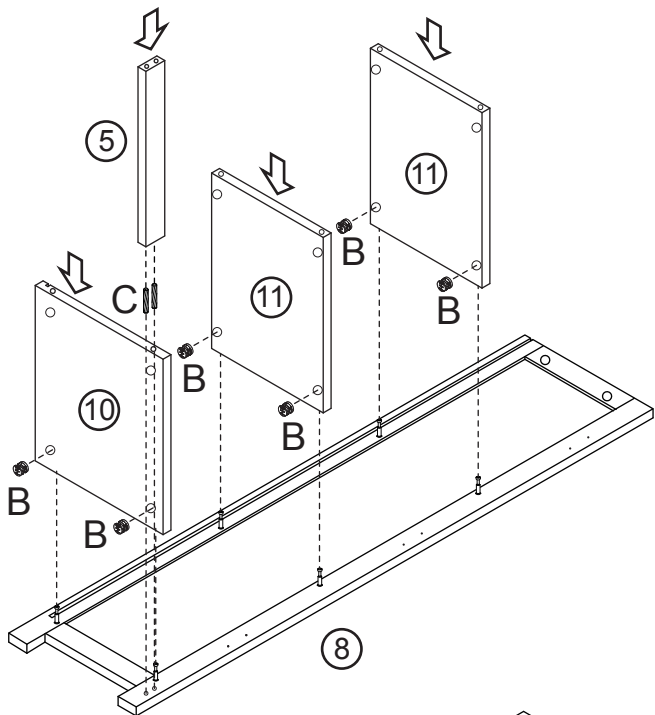
3



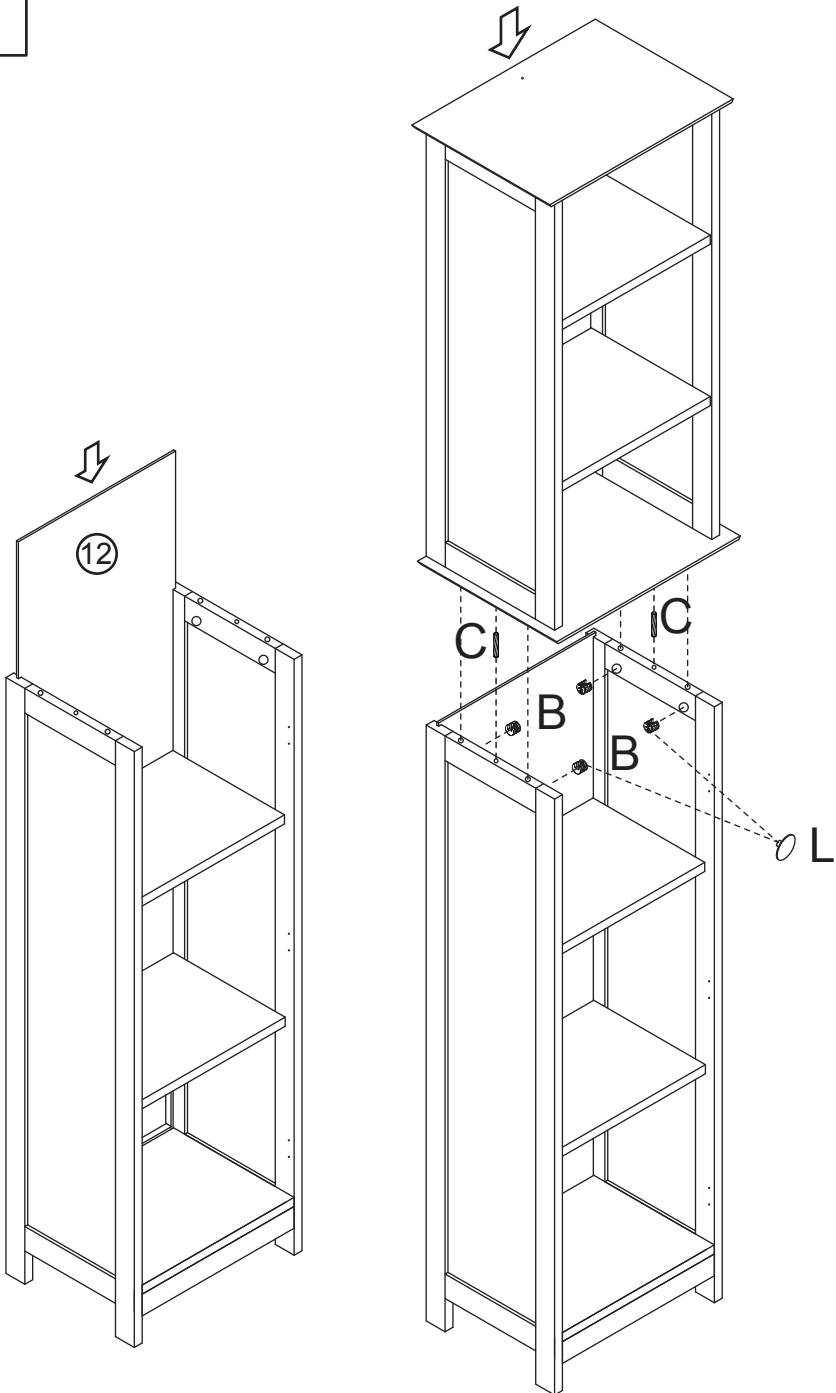
4



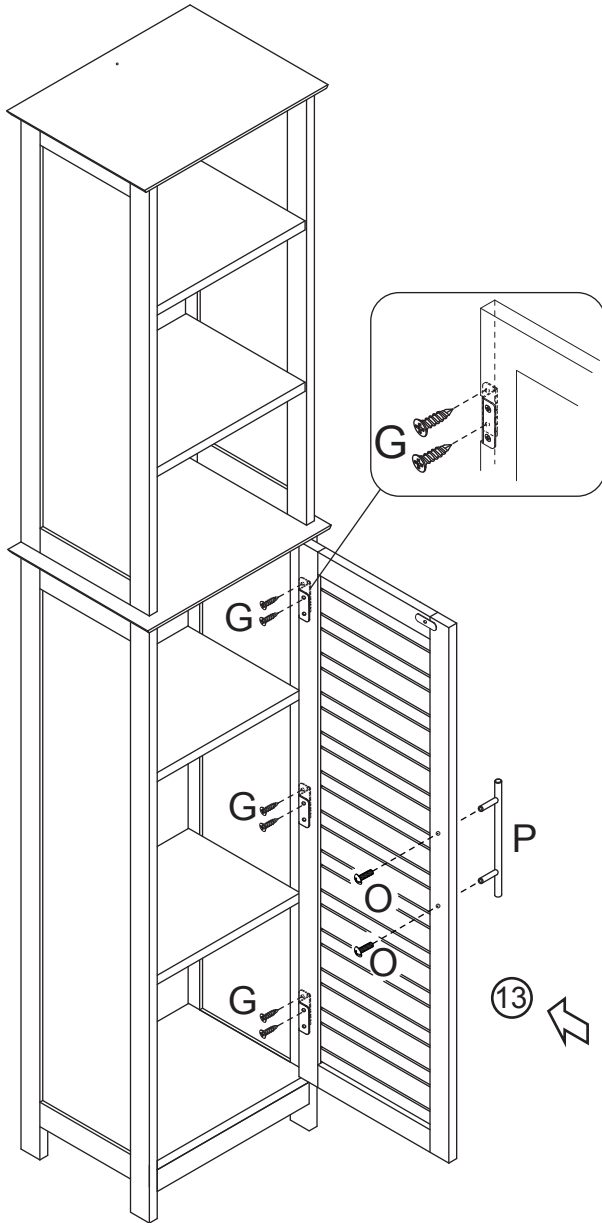
5



6



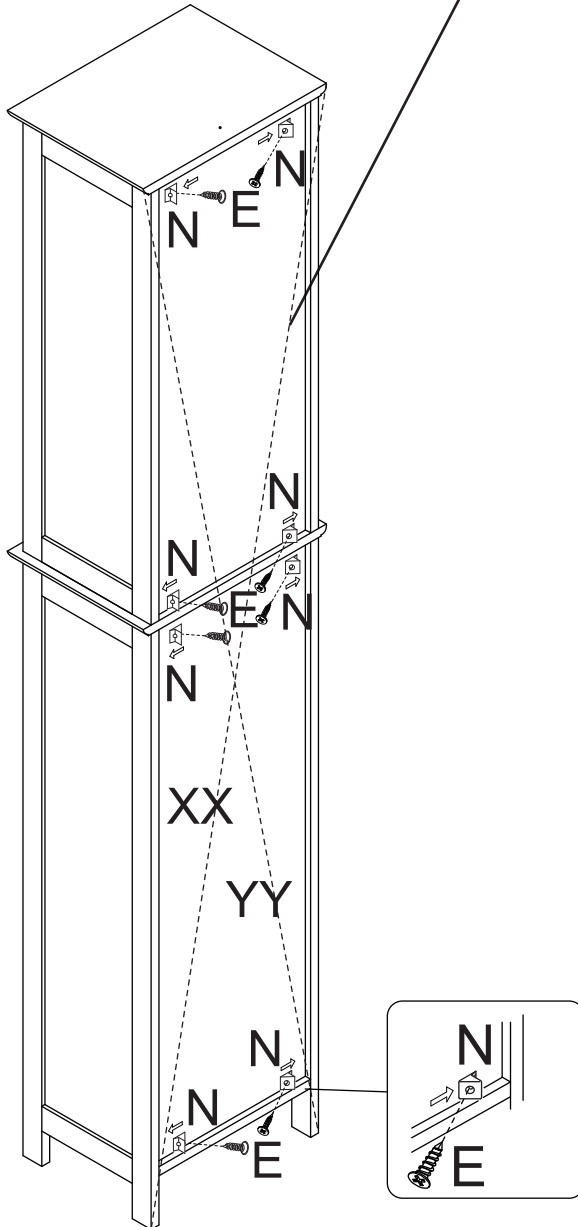
7



8

Avant de fixer "N", s'assurer que la dimension "XX=YY".

Before fix "N", please make sure size "XX=YY".



9

