

CA05FS

Owner's Manual



**Fuel Cell Technology
Breath Alcohol Tester**

Part Names



This device is a breath alcohol tester designed to measure the presence of alcohol in the body. Please make sure to read this manual thoroughly before use.

DO NOT DRINK AND DRIVE

Display

Test result is displayed in BrAC / Promile data to the 3rd decimal readout at BAC.

Measure unit is set to the region standard.



READY



BATT
LOW



WARN

Green LED will turn on when the device is ready for a test. It will light up when the test result is below the warning level.







Yellow LED will flicker when the battery voltage is low. Replace 1.5V Alkaline Batteries.

If the result is over 0.25mg/l / 0.50‰ Promile, the **WARN** LED will light up

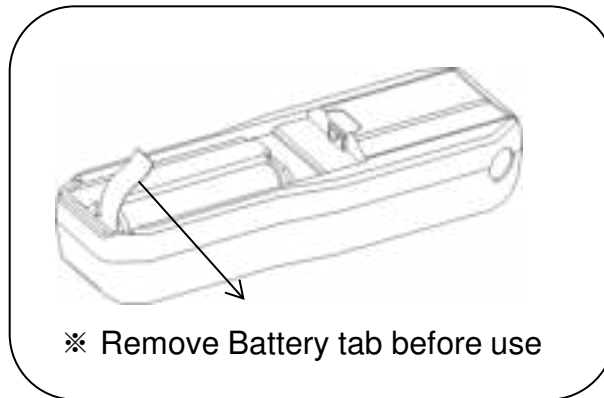
Operation

1. Insert a mouthpiece into the mouthpiece inlet.
2. Push the ON/OFF power switch that is located under the display window.
 - The unit will show “Full display” firstly and “on” along with a welcome sound. And then it starts countdown which will be taken about 15 ~ 35 seconds. This warm-up process prepares the sensor and circuit for testing.
3. When you hear a beep sound & “bLo” display is on, please blow steadily into the mouthpiece until you would hear the “Beep” sound again. Stop blowing.
 - In this stage, if you don't blow within 20 seconds, it automatically turns off. Try to power on again.
4. After the circling line is on the display for 3 ~ 22 seconds, the test result will be displayed for 20 seconds along with beep sound.
 - If the test result is over 0.25mg/l / 0.50‰ (default setting) respectively, “WARN” signal (Red LED) will light up along with “Alarm” sound.
 - The result will be displayed for 20 seconds .(Result display along with “READY” or “WARN” LED on for the first 15 seconds and LED off for another 5 seconds).
 - . If you push the power switch when the Green or Red LED is off, the unit goes back to countdown stage for another test.
5. Finally, the unit will show “OFF” and turn off automatically along with a sound.
6. For the successive testing, try again from No.2 to No.4.
7. Space tests at least 2 minutes apart.
 - ※ After using, you can turn the device off by pressing the power switch for 2 sec.

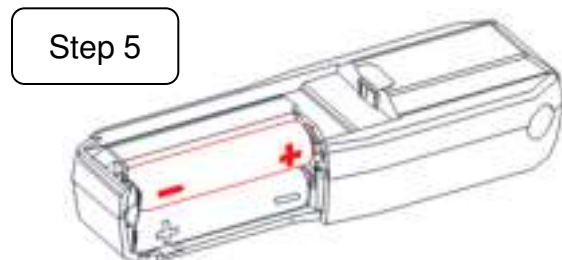
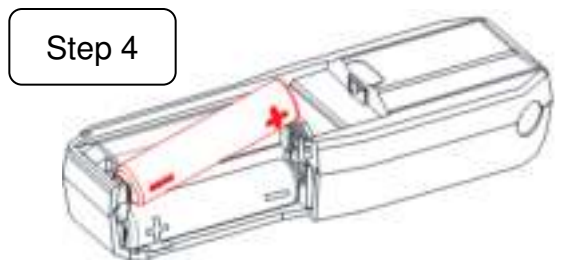
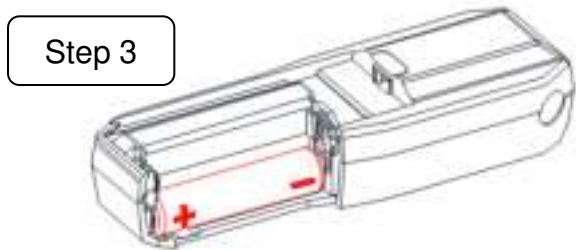
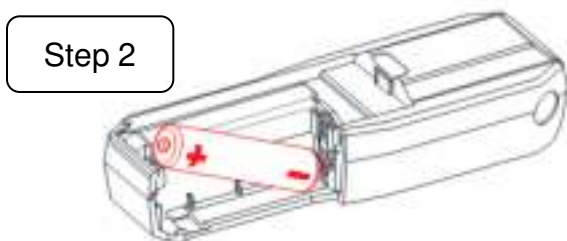
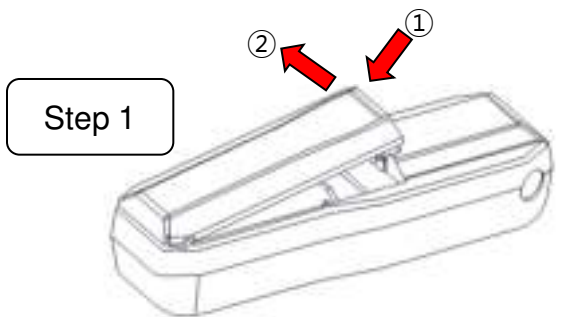
Error (Warning) Notification

Error Message	Cause & Action	Error Message	Cause & Action
 <p>0.50</p> <p>READY BATT LOW WARN</p>	<p>If the result is higher than 0.25mg/l BrAC (0.50‰ Promile) "WARN" signal is displayed along with "ALARM" sound.</p>	 <p>BAT</p> <p>READY BATT LOW WARN</p>	<p>The battery voltage is too low to perform a test. The device will turn off automatically after showing this signal. Replace 1.5V Alkaline Batteries.</p>
 <p>Hot</p> <p>READY BATT LOW WARN</p>	<p>If the result is above 2.00mg/l BrAC (4.00‰ Promile), "Hot" signal is displayed along with alarm sound.</p>	 <p>Flo</p> <p>READY BATT LOW WARN</p>	<p>The user had a short exhale time during the test, which likely means the user did not exhale steadily and continuously for at least 3~5 seconds. Push the power button to perform another test.</p>
 <p>CAL</p> <p>READY BATT LOW WARN</p>	<p>When the test time is over 500, the unit shows "CAL". Even if the unit still works, it is required the re-calibration. Consult to the seller or local distributor for the service.</p>	 <p>OUT</p> <p>READY BATT LOW WARN</p>	<p>When the ambient temperature is out of working temperature range (5°C ~ 40°C) the unit shows "OUT" and then turn off. Keep and use the unit within the recommended temperature range.</p>

Battery Replacement



Apply a small amount of pressure on the battery cover located on the back of the unit and push(①) and away(②) from the unit to release the cover.
Put AAA type Alkaline batteries as the following diagram.



※ Insert from negative direction

*** N.B. : Make sure to insert the battery with the proper position of positive(+) and negative(-) as indicated.

Precautions

1. Allow at least 20 minutes after eating or drinking before testing.
Any type of alcohol remaining in the mouth of saliva may interfere with proper testing and requires about 20 minutes to disperse. This includes alcohol-based mouthwash or similar products.
2. Avoid testing under strong wind or in the closed room with contaminated air.
3. When the “**BAT**” signal is on the display, it is advisable to replace 1.5V Alkaline Batteries.
4. Do not blow cigarette smoke, food or liquid into the instrument because this may damage the sensor.
5. Do not use this unit as a tool to determine whether you or anyone else should operate any motor vehicle or machinery.
6. Keep it under 0 – 40 °C (32 – 104 °F). And this device is designed to be used in a temperature range of 5 – 40 °C (41 – 104 °F). Keep and use the unit within the recommended temperature range.
7. Correlation between breath alcohol content and blood alcohol concentration depends on many variables, including environmental factors (such as air quality, wind, humidity, temperature, etc.) and health conditions of the test subject.
8. In normal use, CA05FS requires re-calibration every 6 months or after 500 tests to obtain accurate results. Discuss with local distributors for re-calibration.
9. You cannot use the results of this unit in court of law. The driver holds full responsibility for driving under the influence of alcohol.
10. Do not use this device in conjunction with an ignition interlock device or while sitting in a motor vehicle .
11. An individual’s testing result can continue to increase or decrease over time, depending on many factors. Obtaining a testing result reading at one time does not mean the testing result reading will be the same even a few minutes later.
12. Do not let yourself or anyone else drink and drive. Always use a designated driver when you or anyone else drinks alcohol.

Specifications

Sensor	Advanced Fuel Cell Sensor
Accuracy	±0.005% BAC at 0.050% BAC
Detection Range	0.00 ~ 2.00mg/l BrAC / 0.00 ~ 4.00‰ Promile
Warm-up Time	15 ~ 35 seconds
Response Time	3 ~ 22 seconds
Dimension	111mm x 35mm x 24mm
Weight	51.1g, (73.7g Battery included)
Power Supply	Two 1.5V “AAA” size Alkaline Batteries
Working Temp.	5 °C ~ 40 °C
Storage Temp.	0 °C ~ 40 °C
Calibration	Every 6 months or after 500 tests
Warranty	1 Year Limited Warranty

Warranty

Manufacturer warrants for 1 year the product to be free from defects in workmanship or material (excluding calibration) in normal service from the date of purchase.

Manufacturer's obligation under the warranty is limited to replacing, adjusting, or repairing the unit if returned along with proof of purchase.

This warranty is void if the unit has been tampered with or maliciously damaged.