
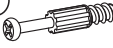



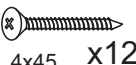
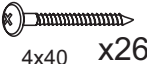
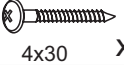


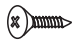







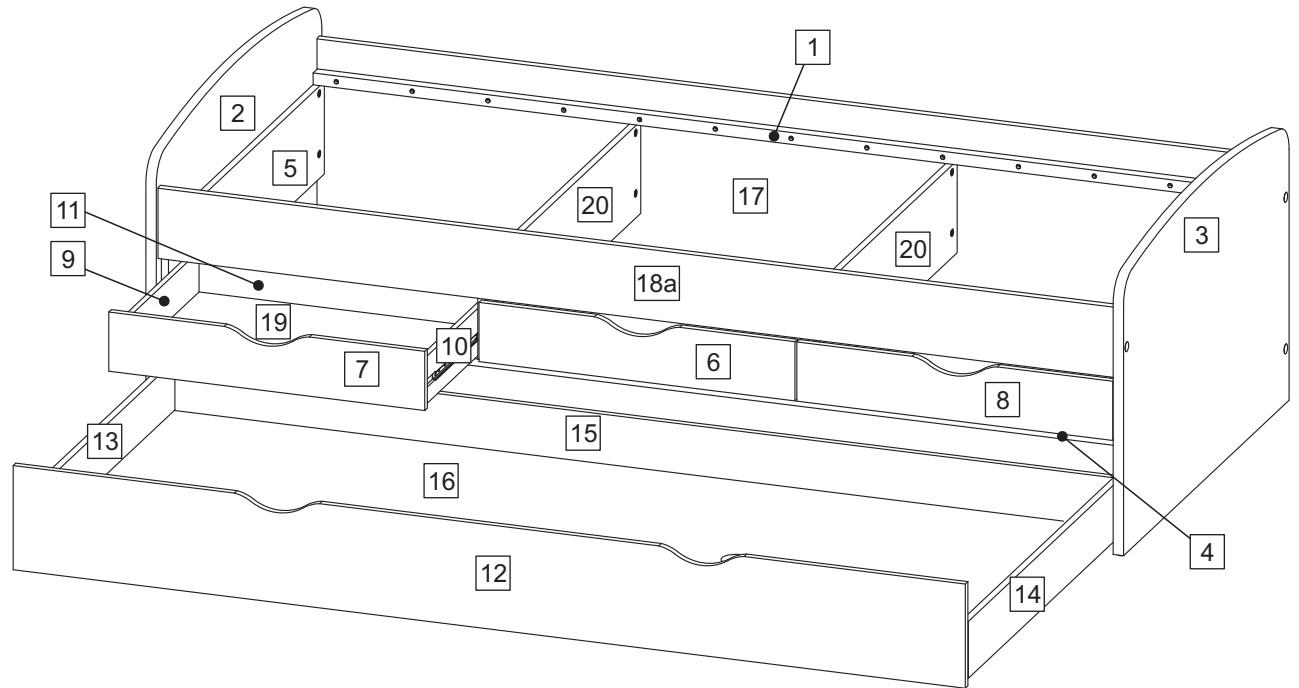


Beschläge - Colli 2

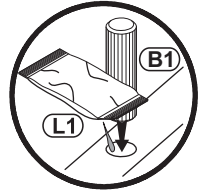
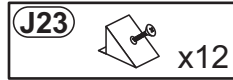
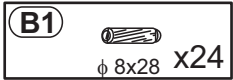
<b>B1</b>		x64
	φ 8x28	
<b>T1</b>		x26
<b>M1</b>		x26
<b>K2</b>		x6
	7x70	
<b>C2</b>		x6
	φ 20	
<b>S15</b>		x12
	4x45	
<b>P7</b>		x26
	4x40	
<b>P5</b>		x4
	4x30	
<b>F15</b>		x4

<b>I4</b>		x6
<b>S3</b>		x12
	3,5x13	
<b>R11</b>		x6
	350	
<b>E4</b>		x12
	6,0x8	
<b>A1</b>		x6
	M4x9	
<b>J23</b>		x12
<b>L1</b>		x2
<b>L21</b>		x4
<b>P13</b>		x16
	3,5x13	

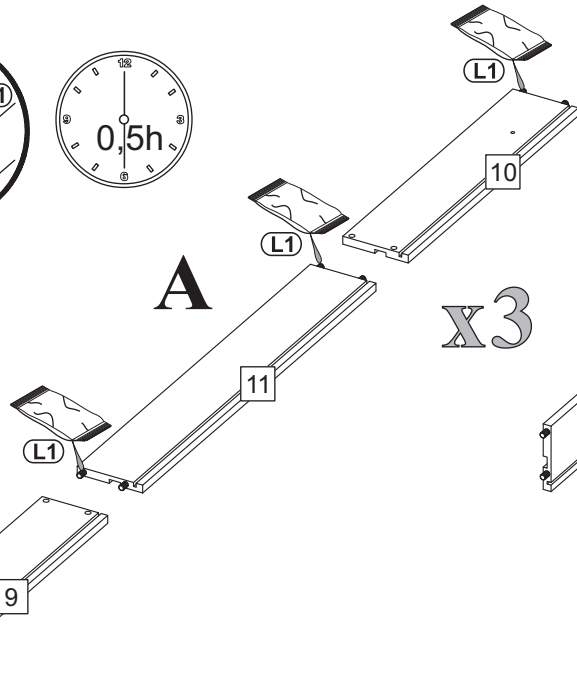
Nr	Ausmaß	St	Colli
1	1984 25 25	2	3
2	960 630 22	1	2
3	960 630 22	1	2
4	2020 180 15	1	3
5	904 195 15	2	2
6	667 125 15	1	3
7	667 125 15	1	3
8	667 125 15	1	3
9	450 100 12	3	3
10	450 100 12	3	3
11	621 100 12	3	3
12	2010 220 15	1	3
13	900 120 15	1	1
14	900 120 15	1	1
15	1982 104 15	1	1
16	1982 900 15	1	1
17	2020 520 18	1	3
18	2020 150 18	1	3
19	632 449 2	3	3
20	904 195 15	2	2



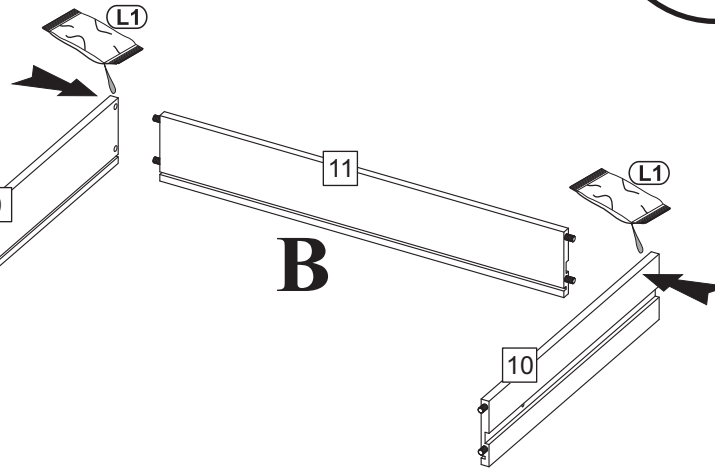
1



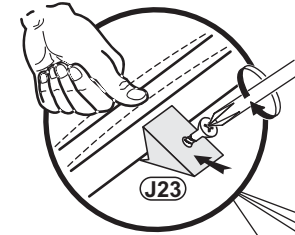
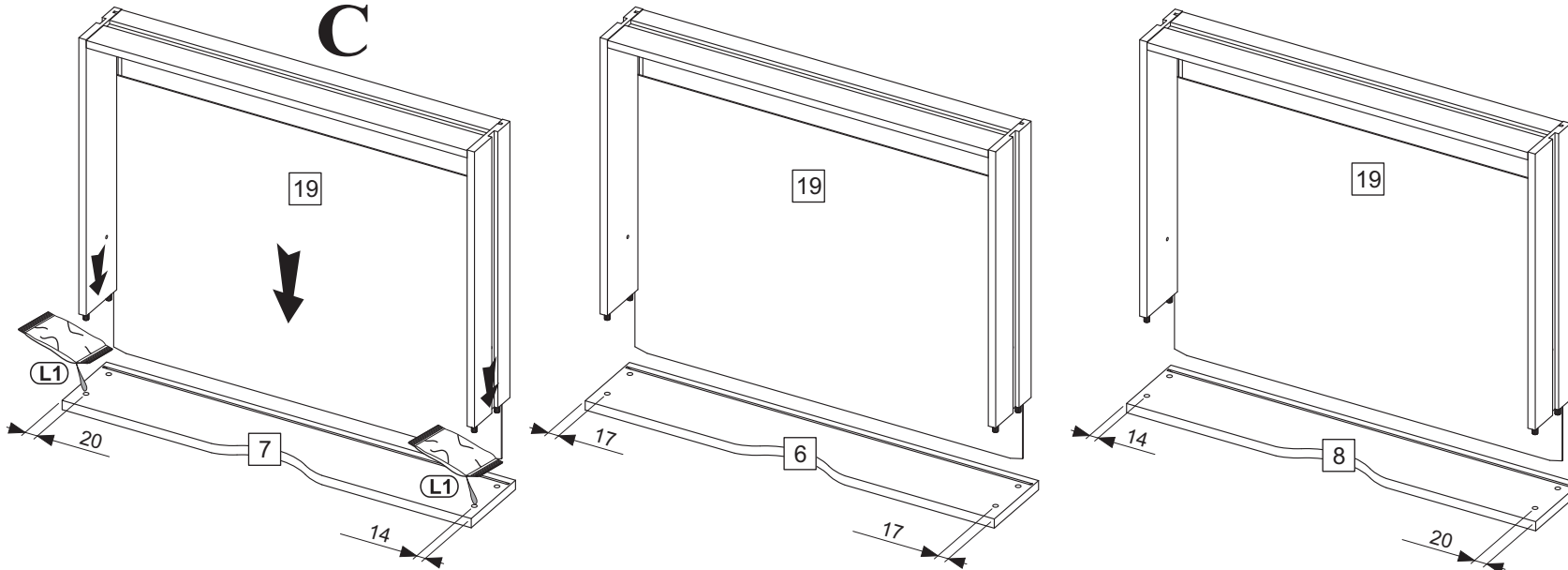
A



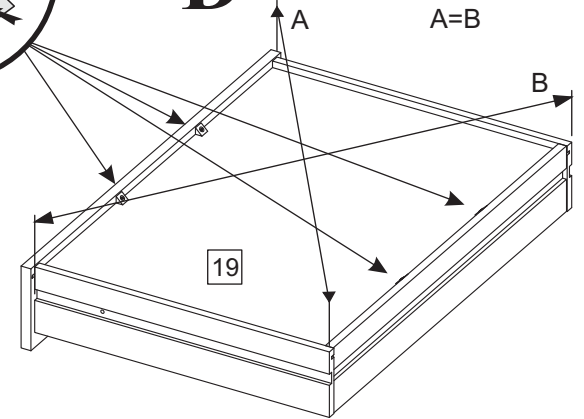
B



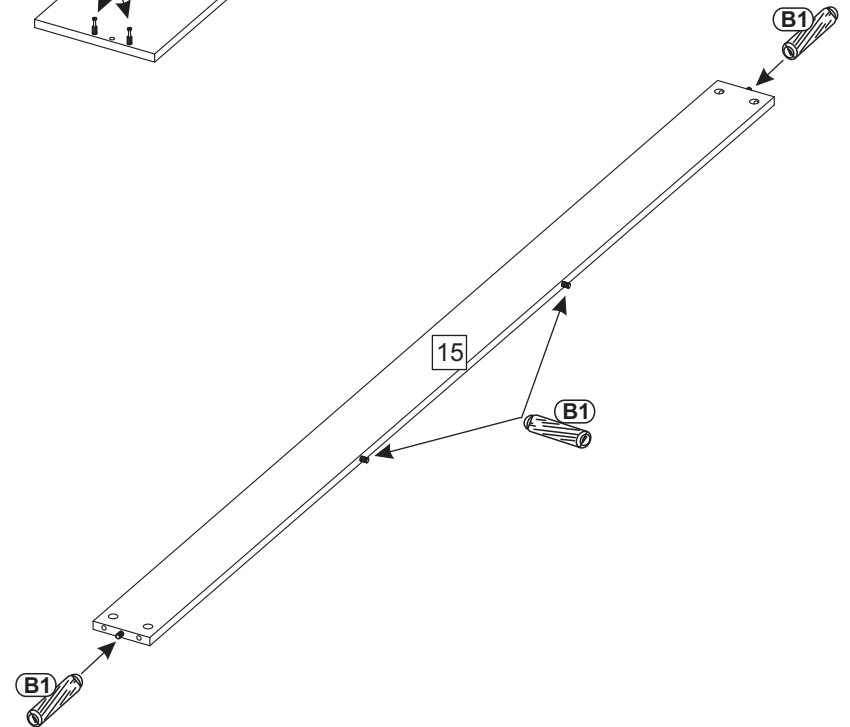
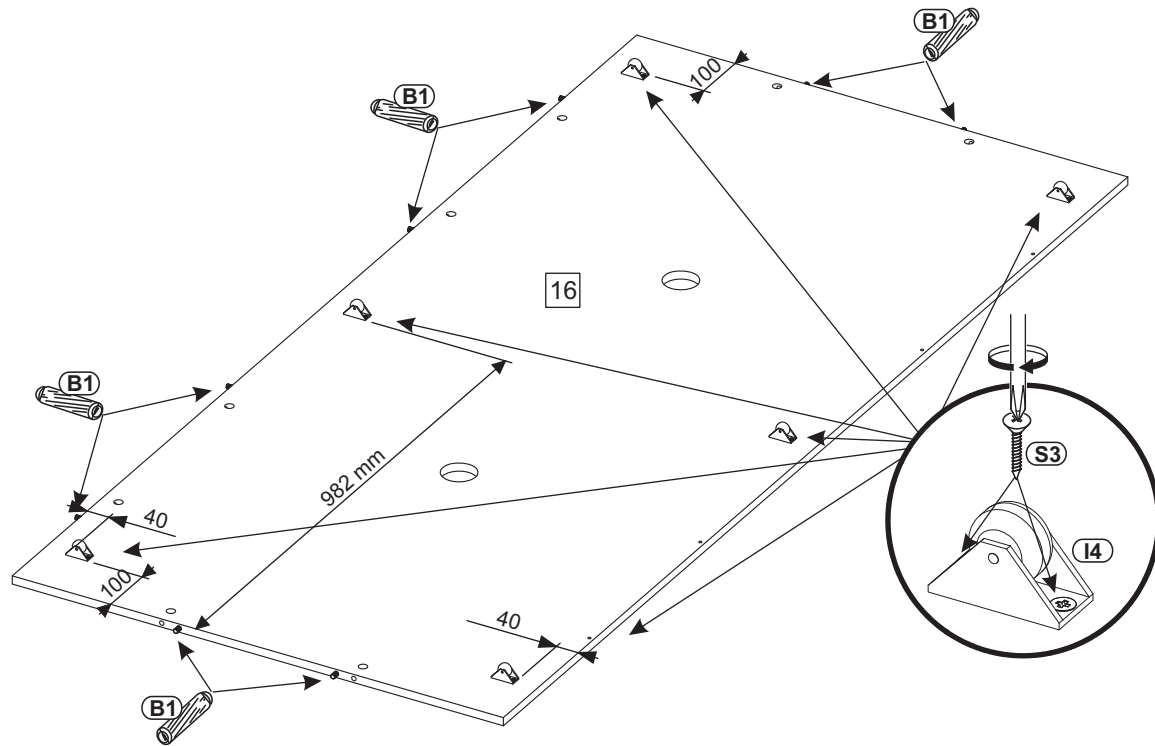
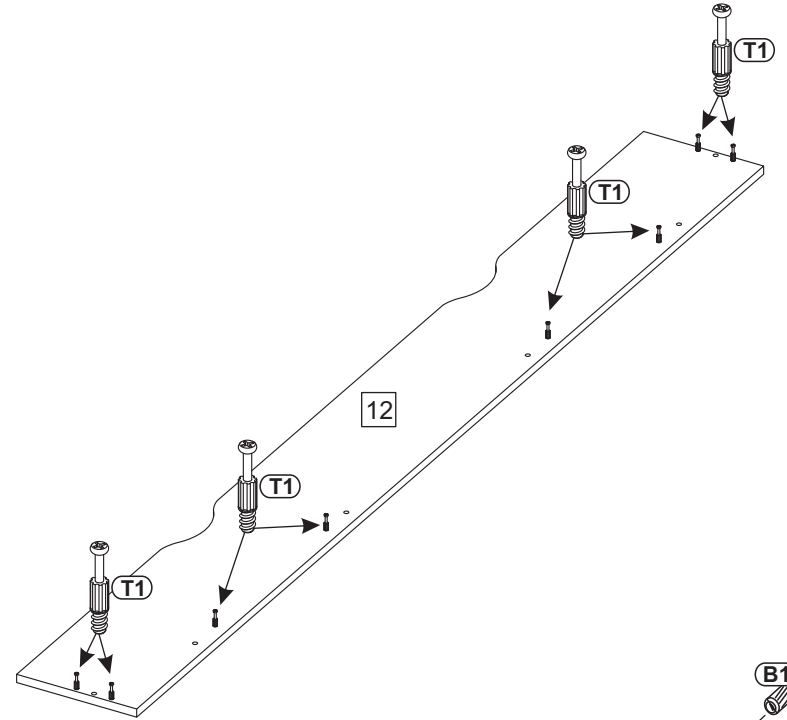
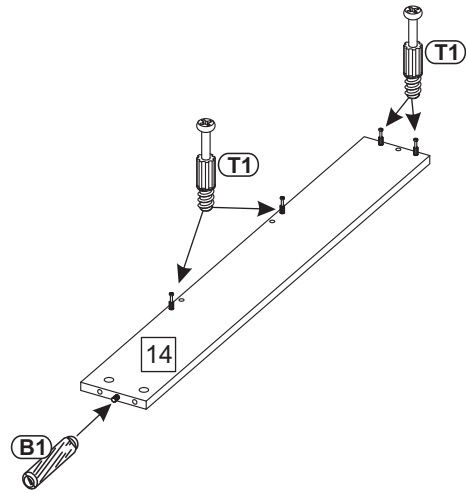
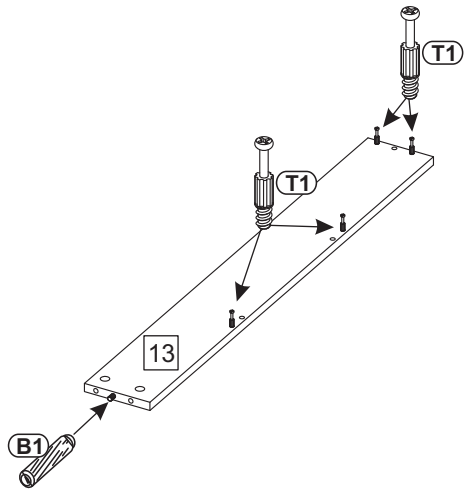
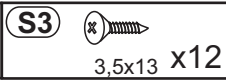
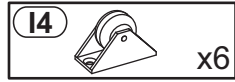
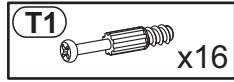
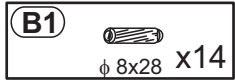
C



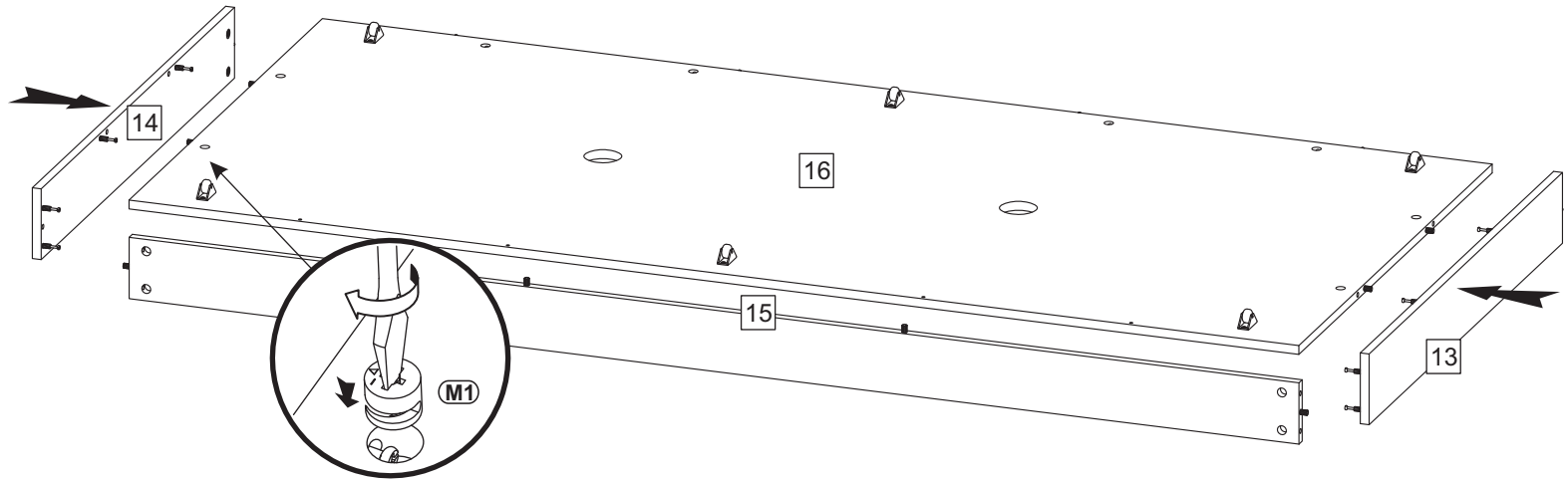
D



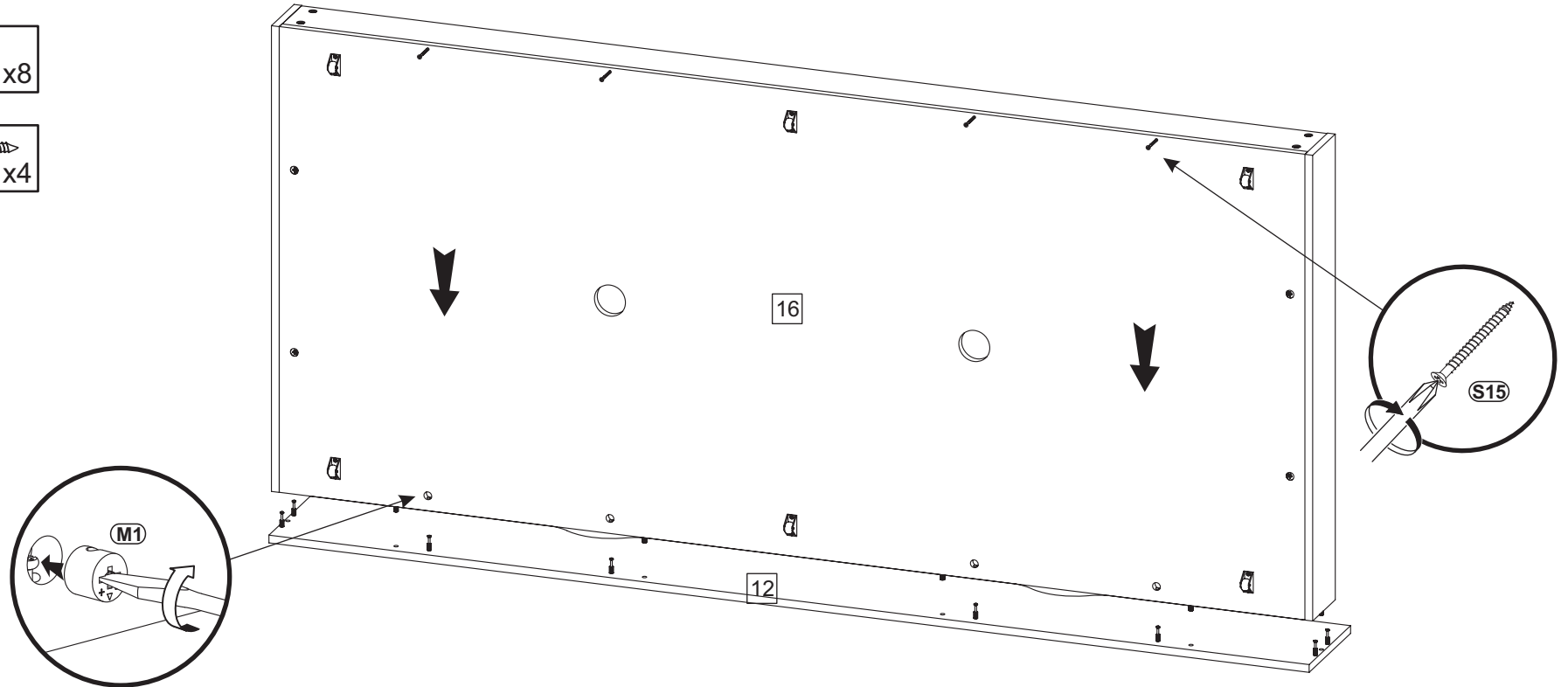
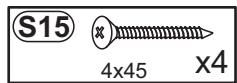
2



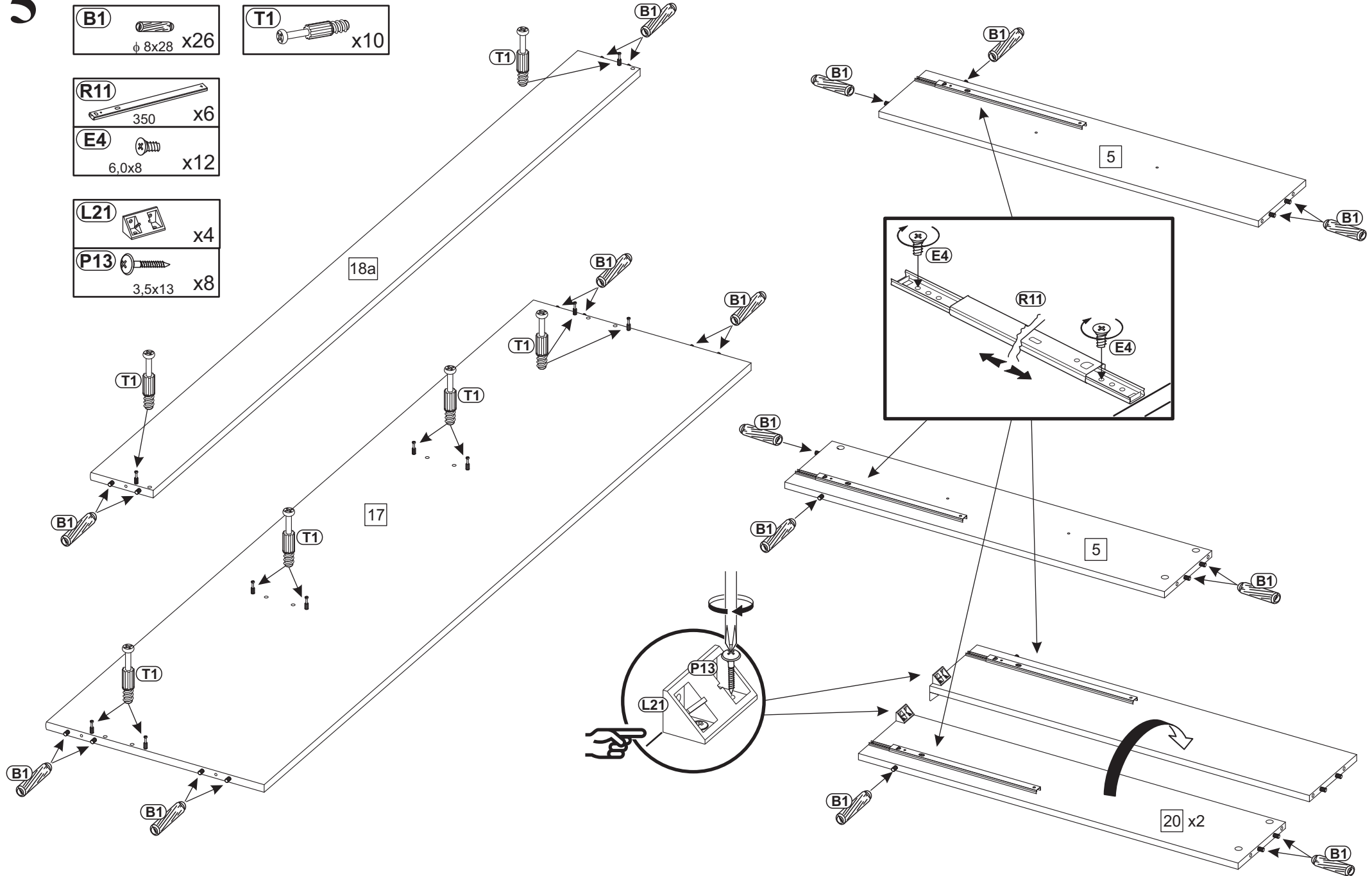
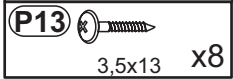
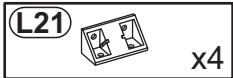
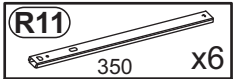
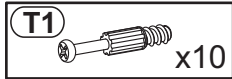
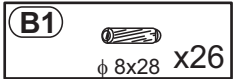
3



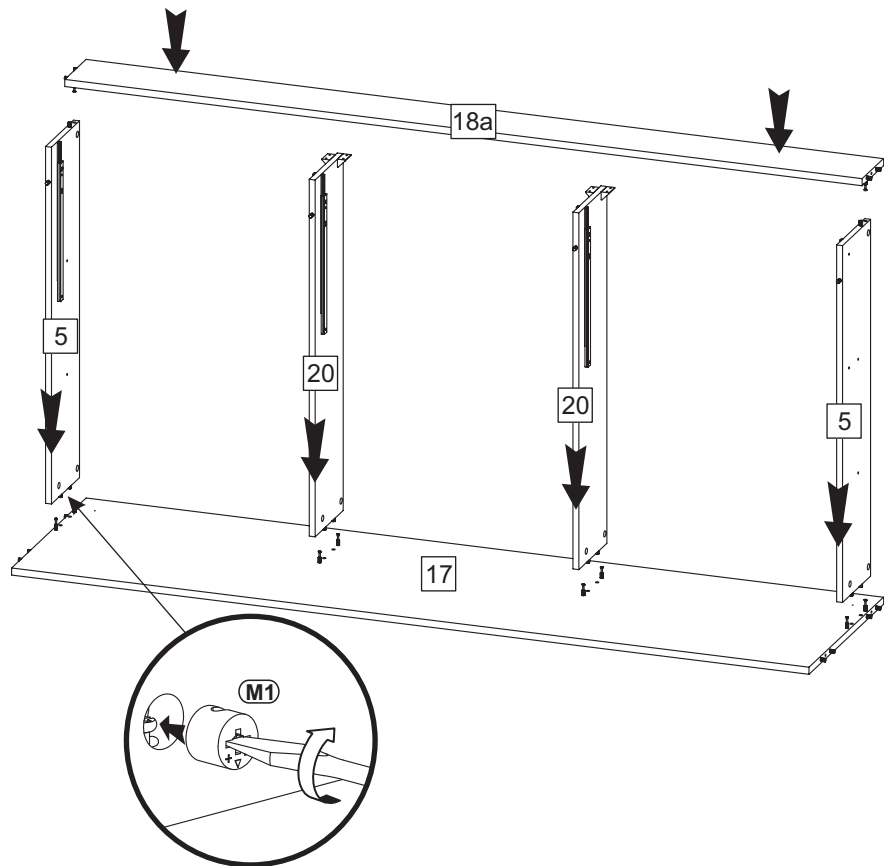
4



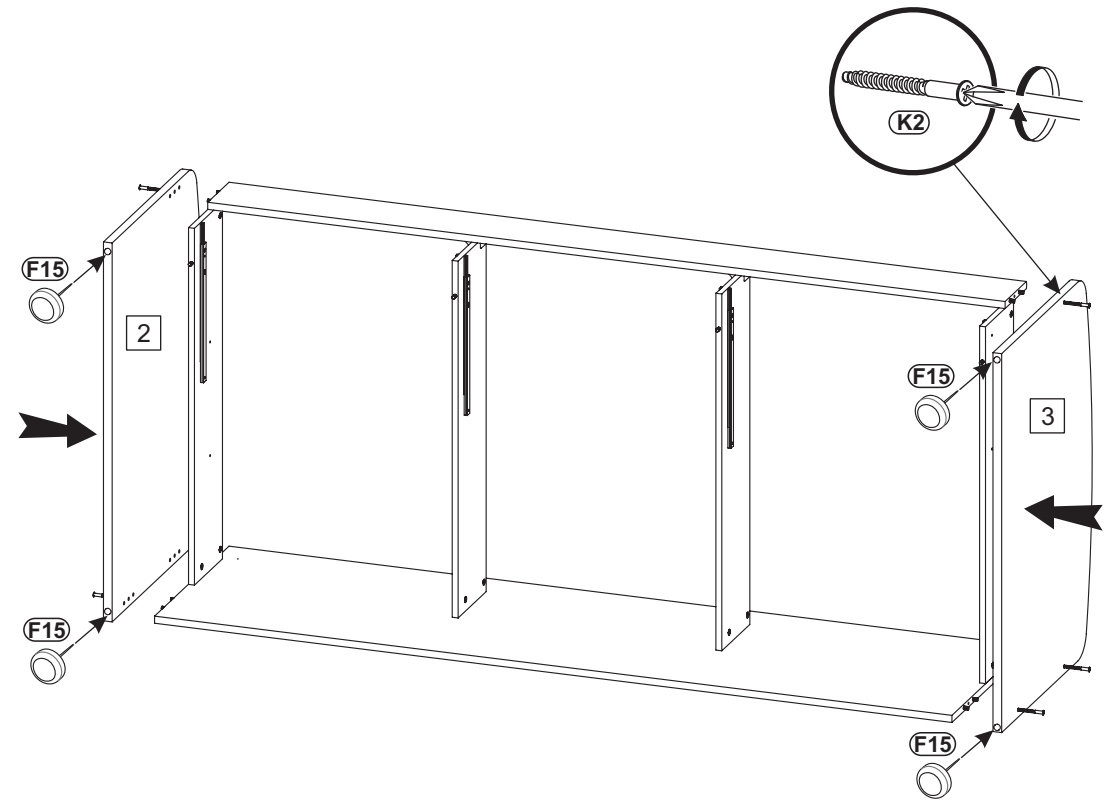
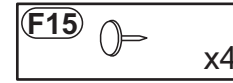
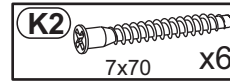
5



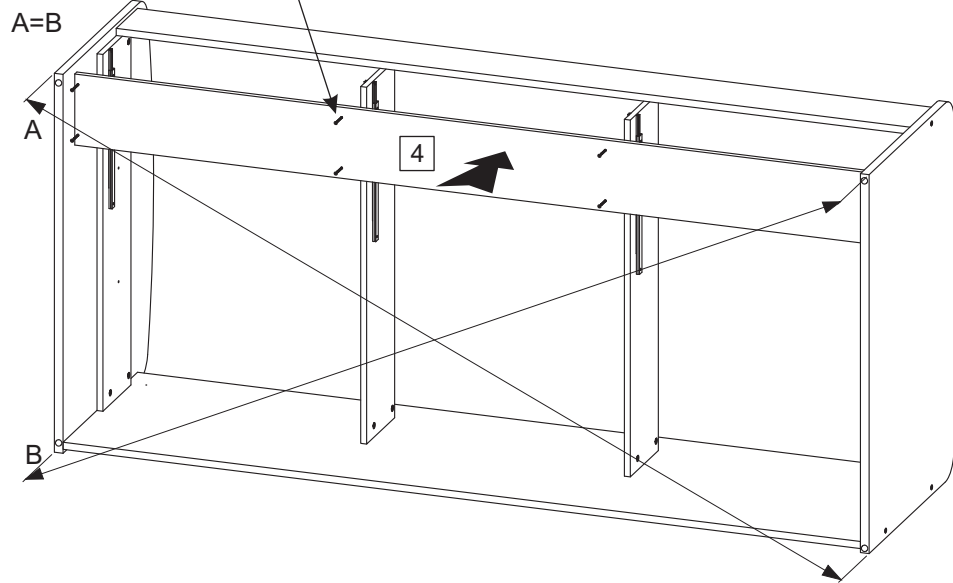
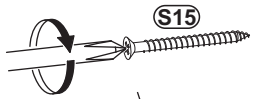
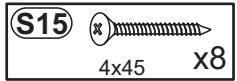
6



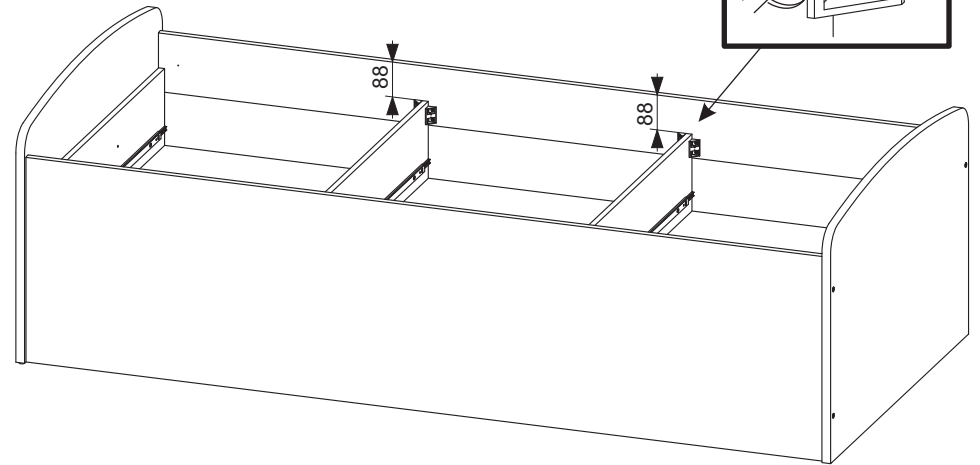
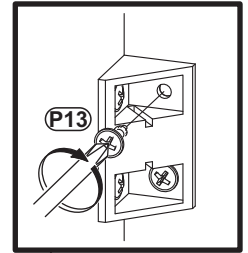
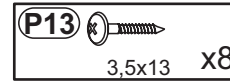
7



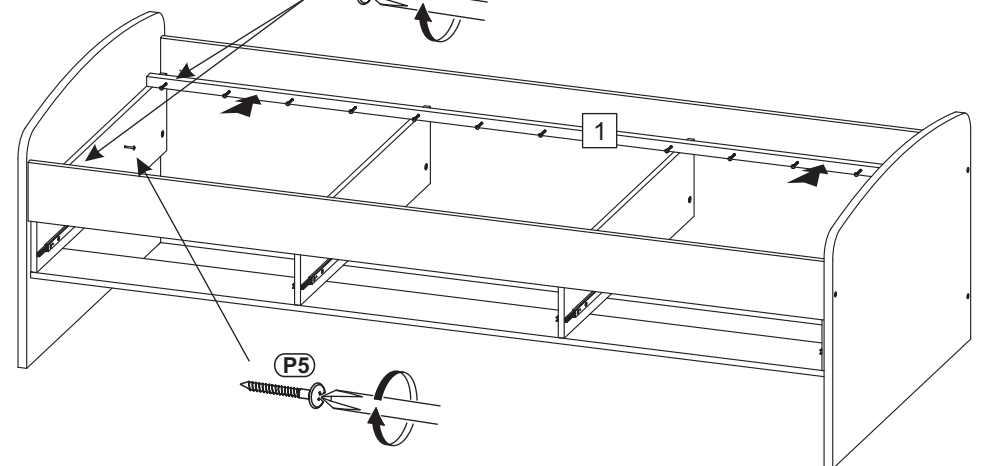
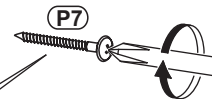
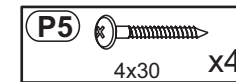
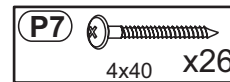
8



9



10





11

