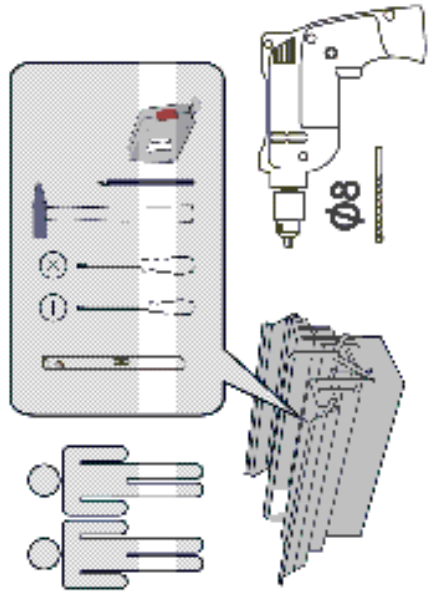
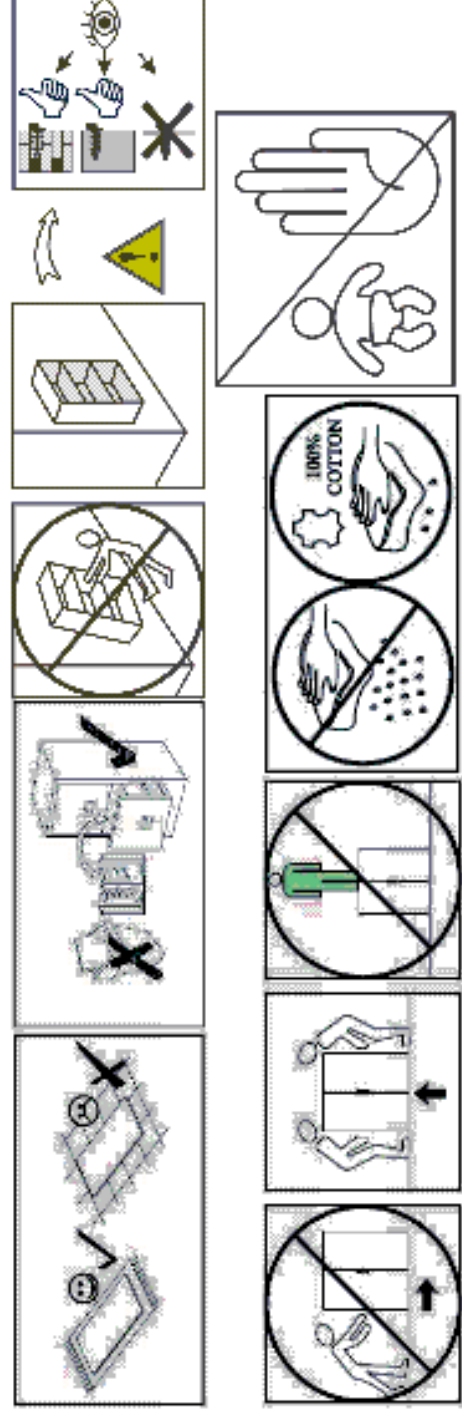
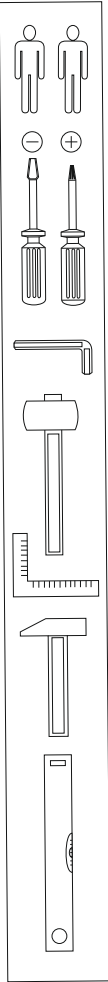
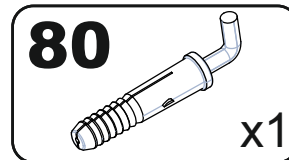
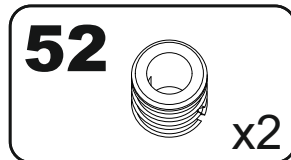
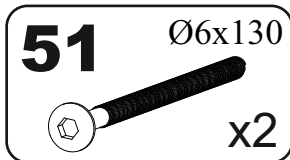
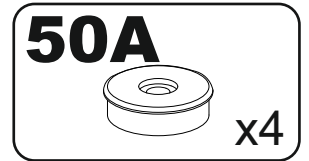
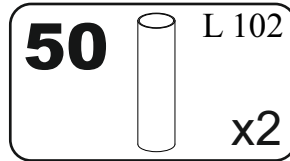
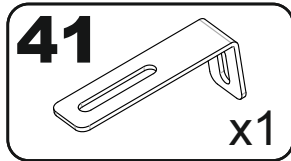
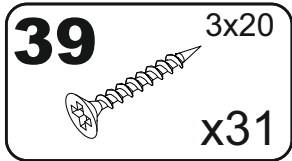
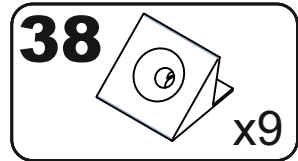
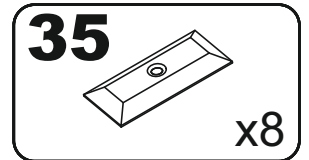
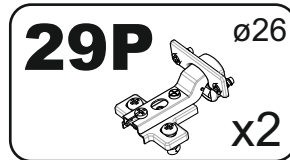
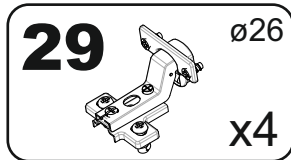
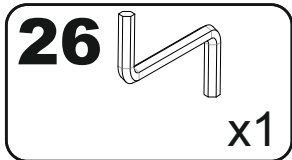
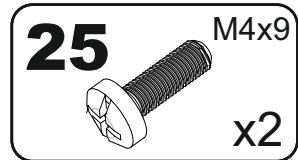
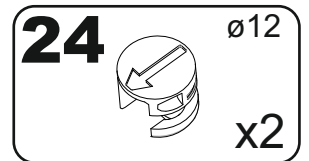
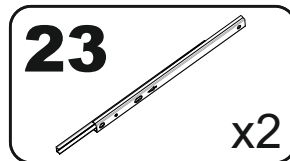
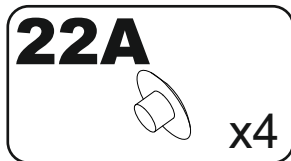
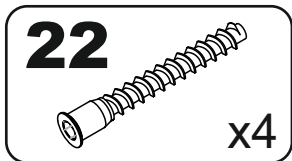
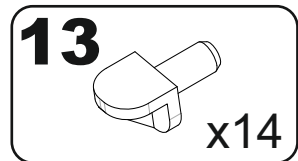
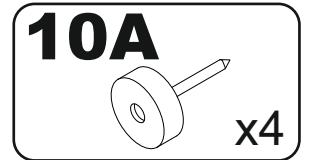
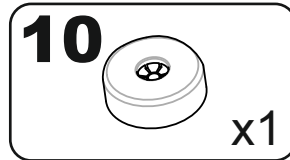
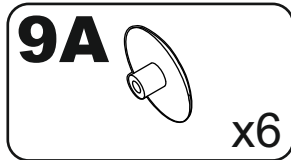
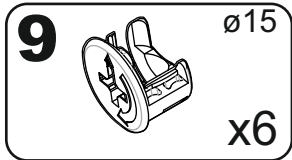
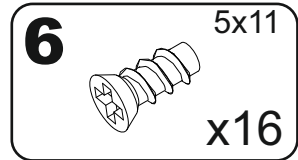
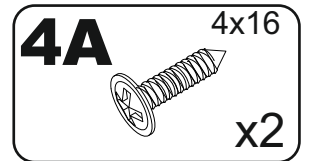
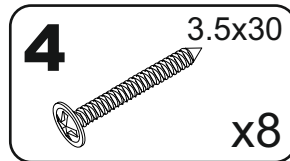
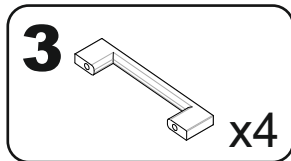
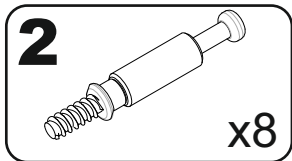
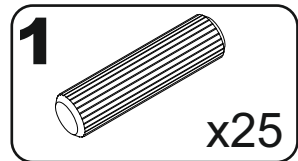
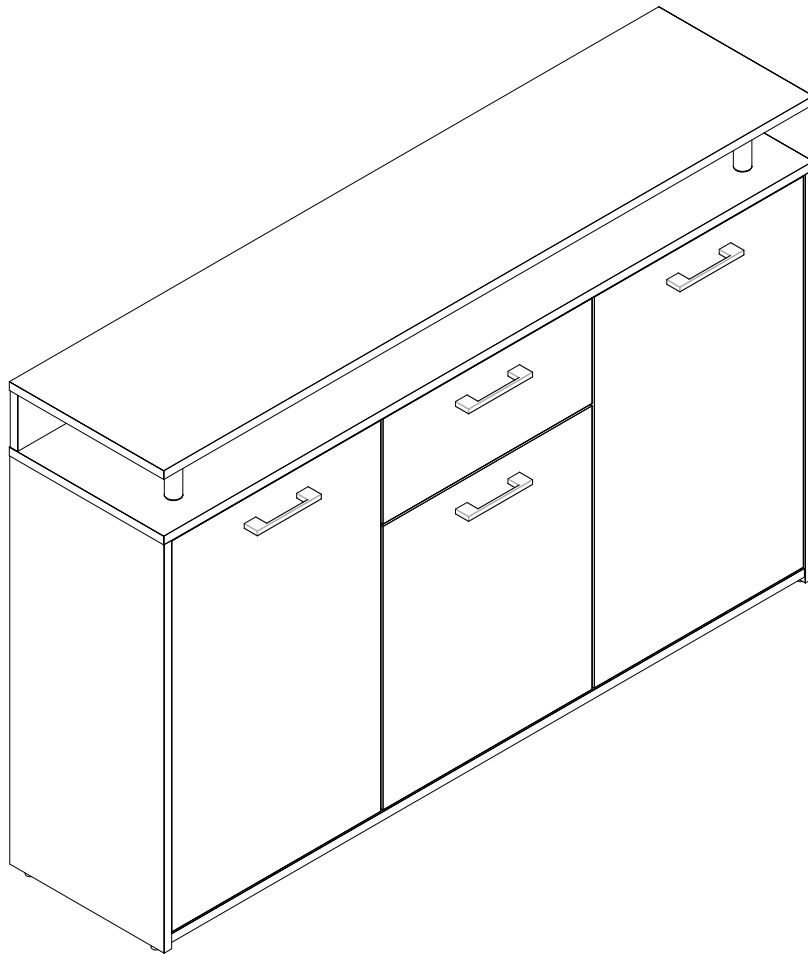


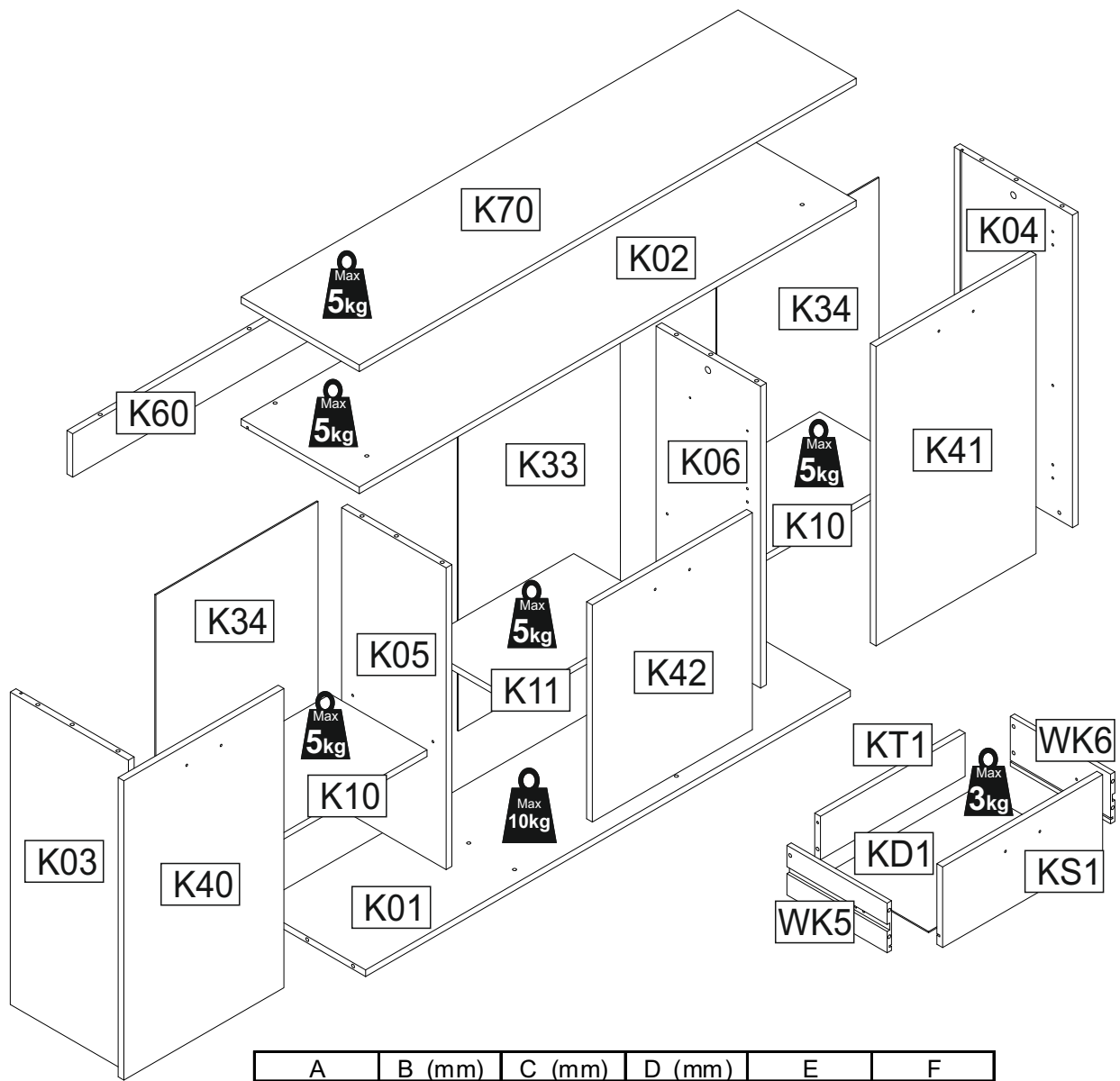
120 min



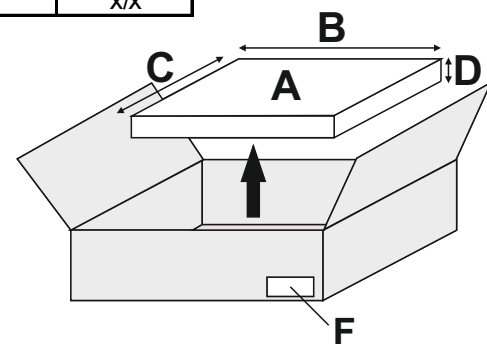
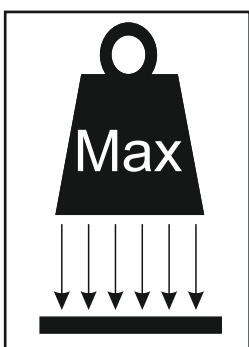


K

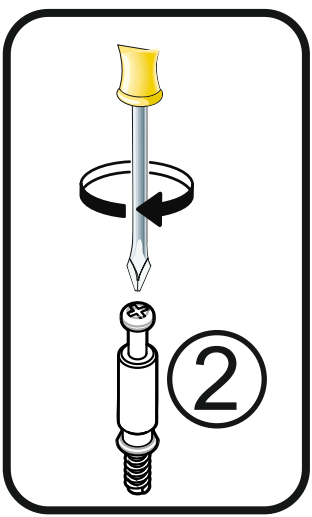
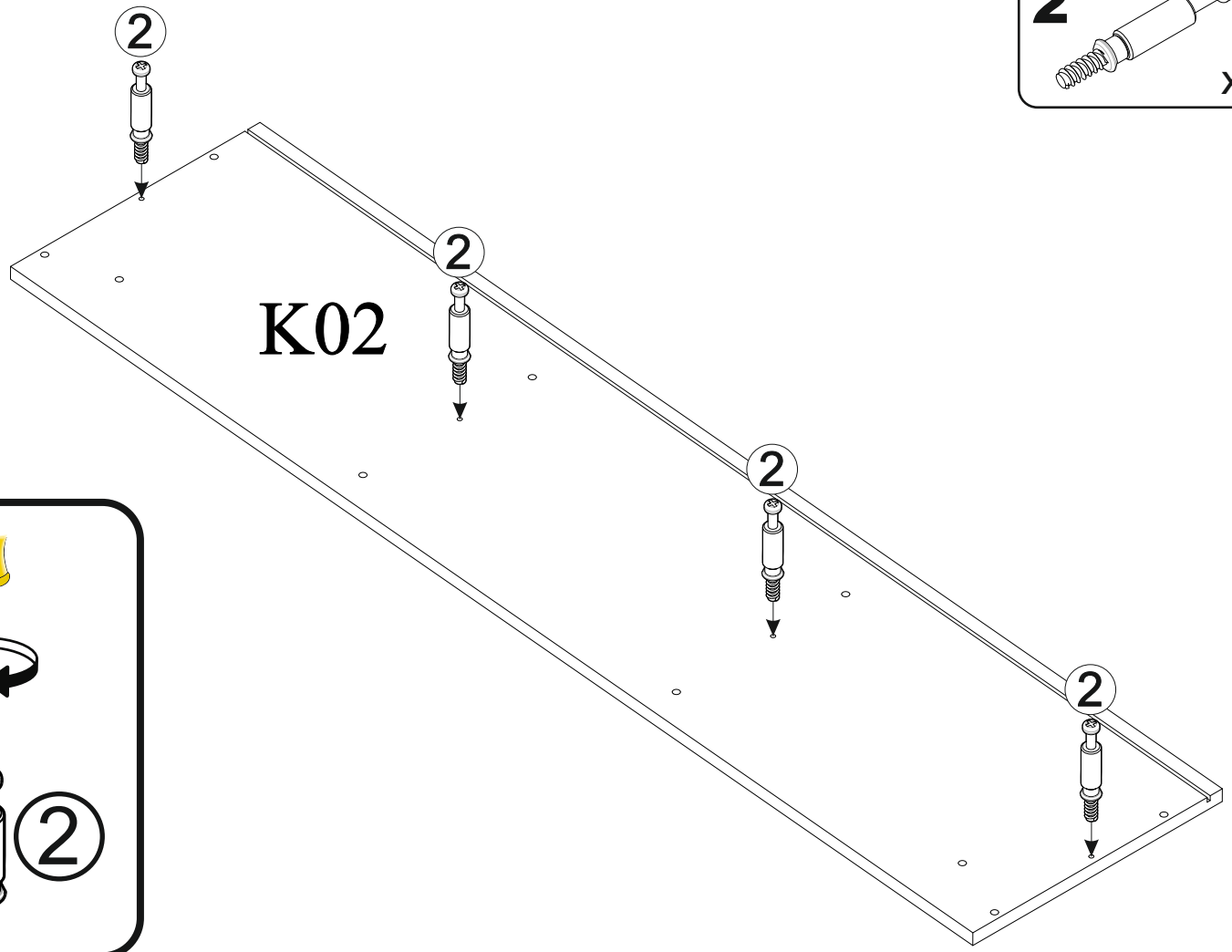
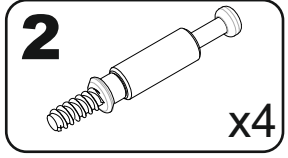




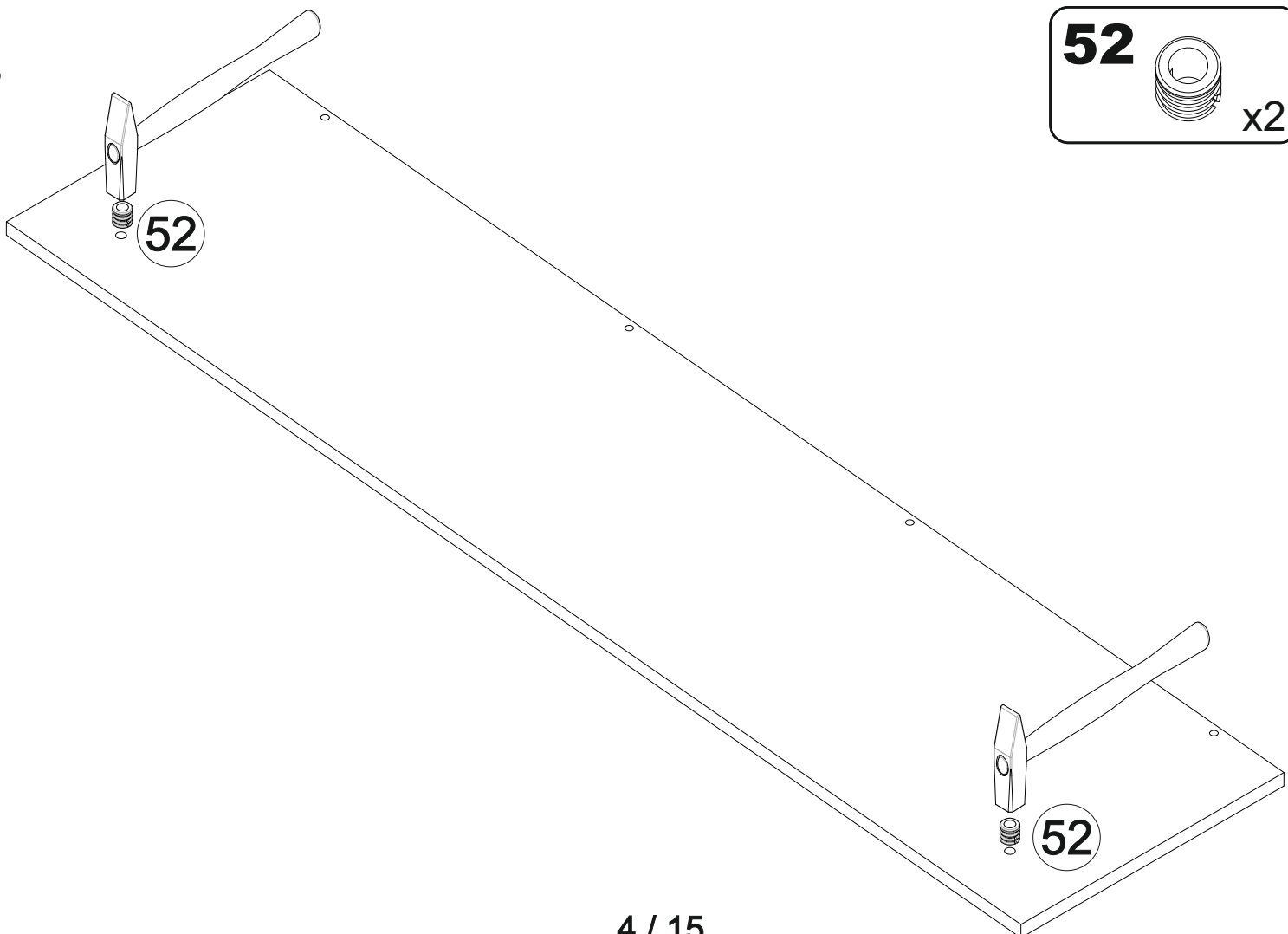
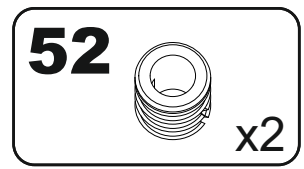
A	B (mm)	C (mm)	D (mm)	E	F
K01	1354	308	16	1	x/x
K02	1388	330	16	1	x/x
K03	756	330	16	1	x/x
K04	756	330	16	1	x/x
K05	730	292	16	1	x/x
K06	730	292	16	1	x/x
K10	443	270	16	2	x/x
K11	436	270	16	1	x/x
K33	740	453	3	1	x/x
K34	750	453	3	2	x/x
K40	724	447	16	1	x/x
K41	724	447	16	1	x/x
K42	525	447	16	1	x/x
K60	1386	105	16	1	x/x
K70	1388	330	16	1	x/x
KD1	414	283	3	1	x/x
KS1	447	195	16	1	x/x
KT1	404	105	16	1	x/x
WK5	280	120	12	1	x/x
WK6	280	120	12	1	x/x



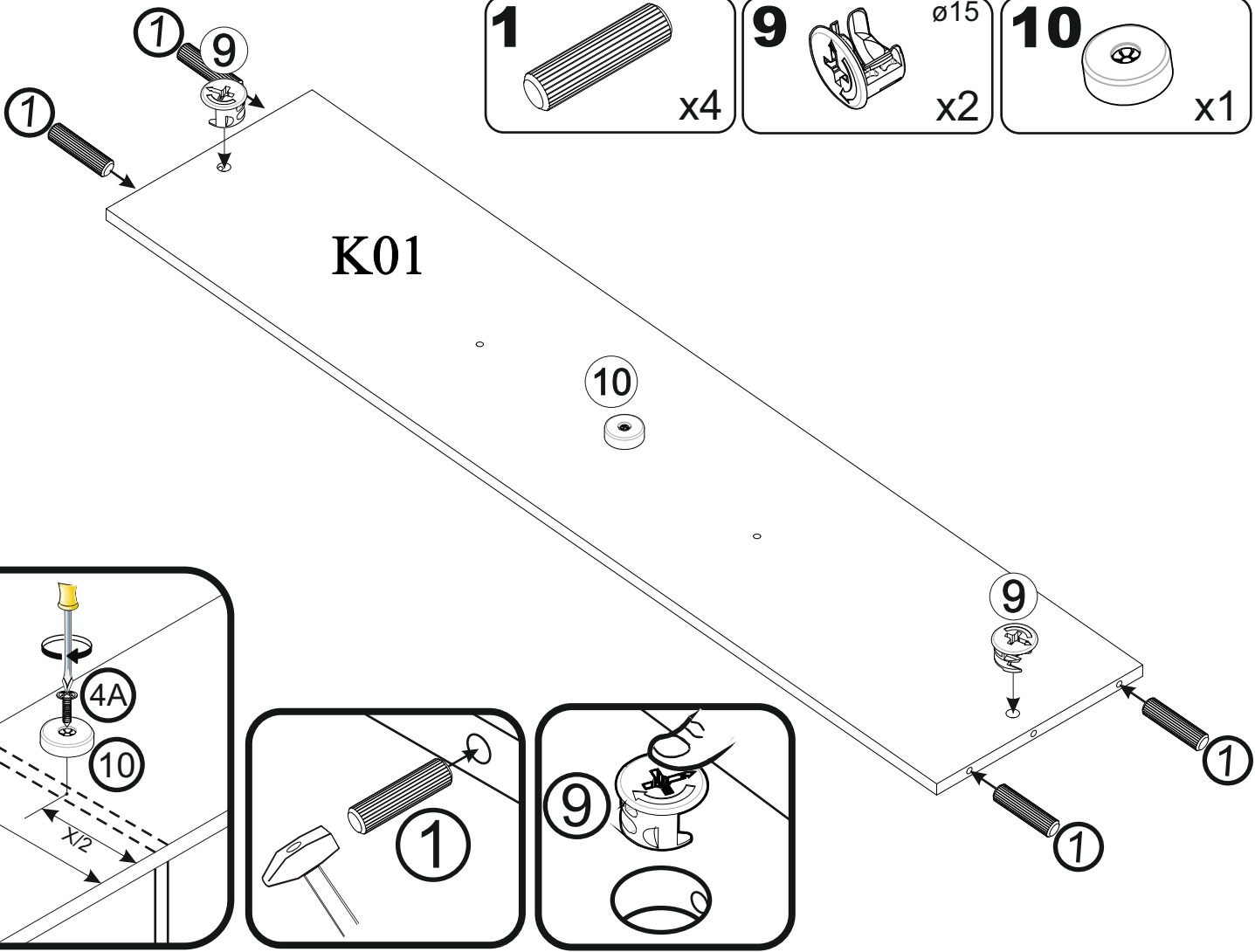
1



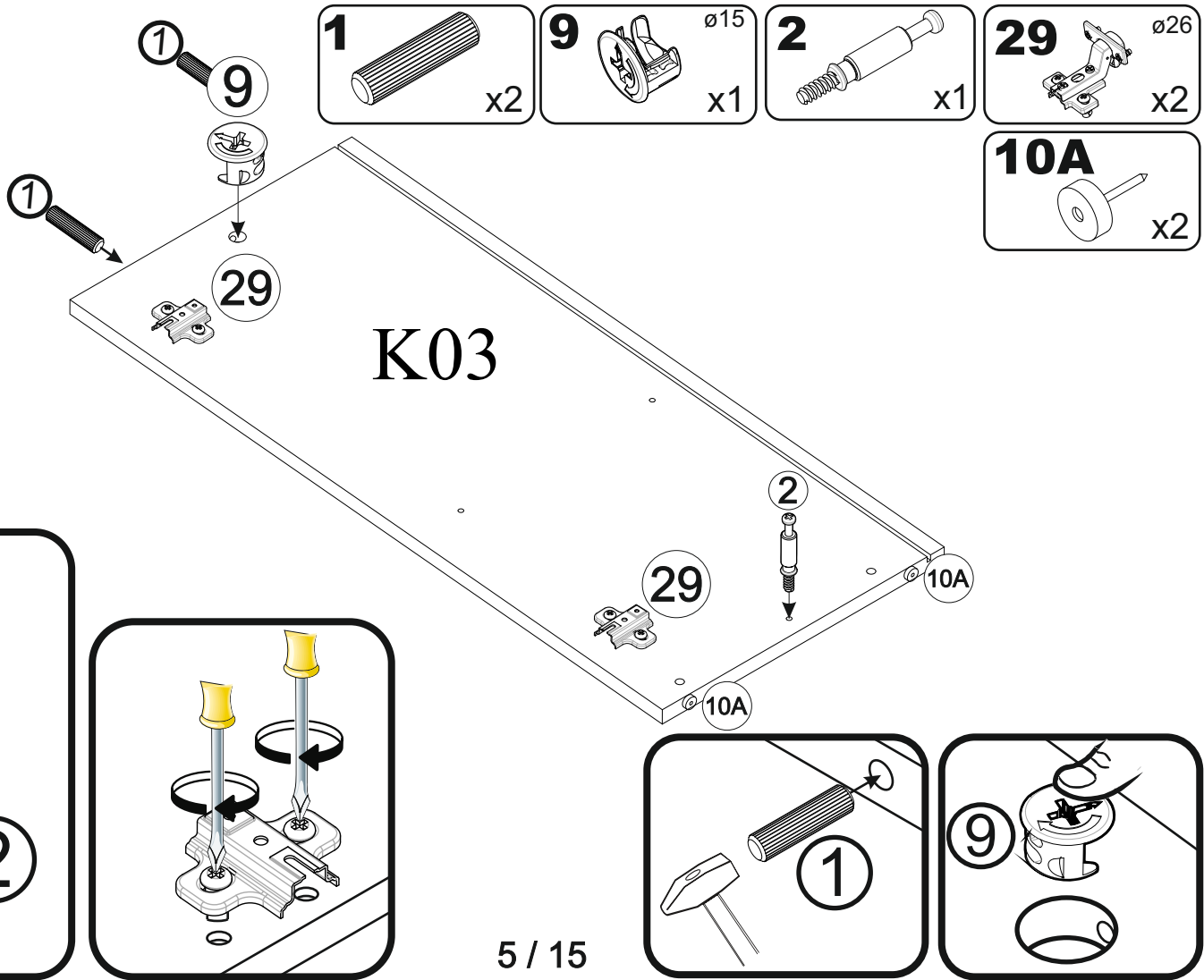
2



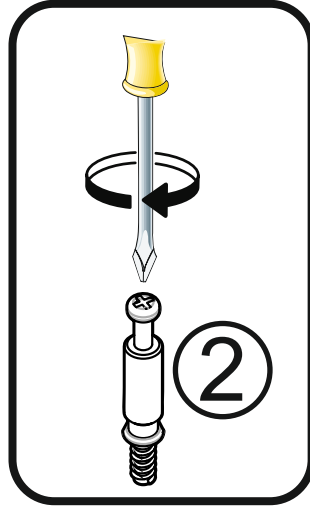
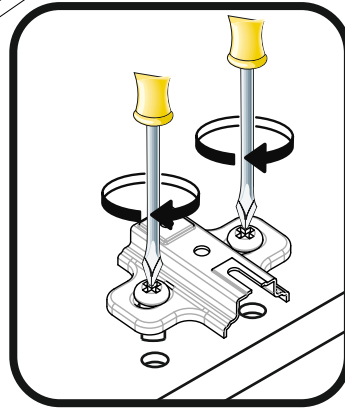
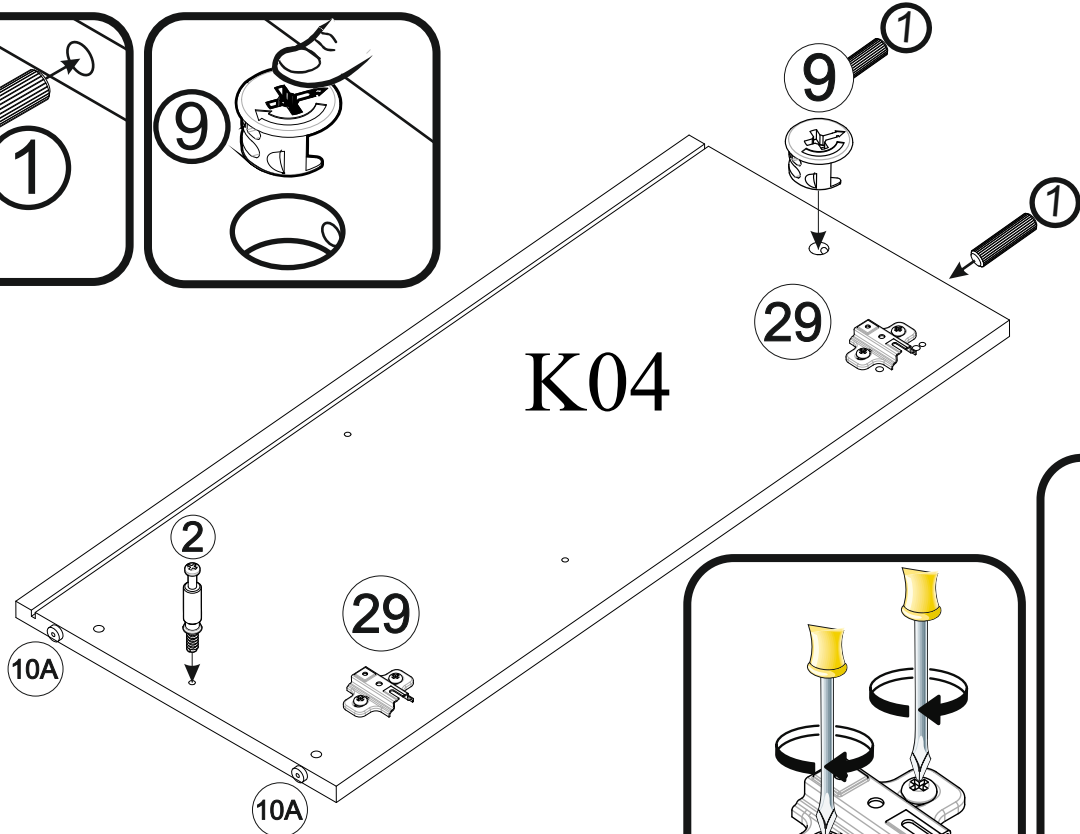
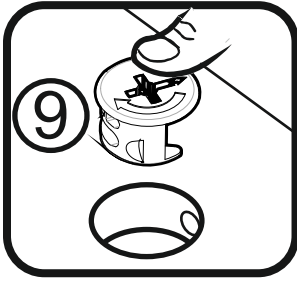
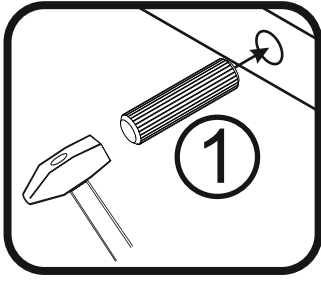
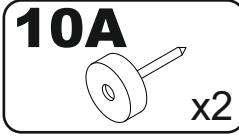
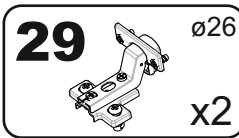
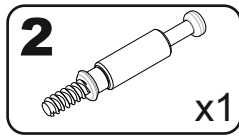
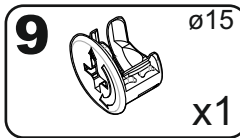
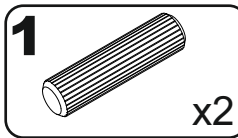
3



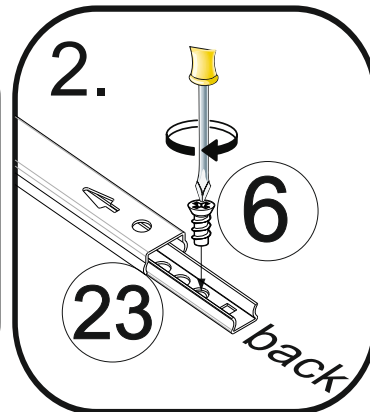
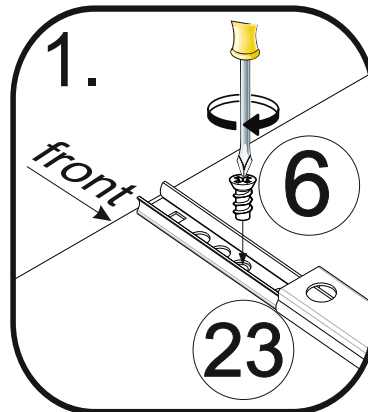
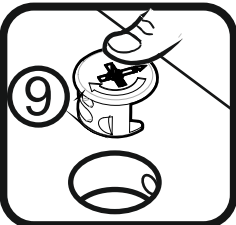
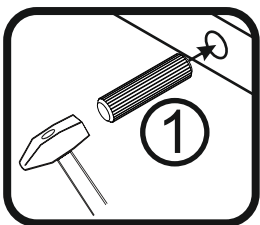
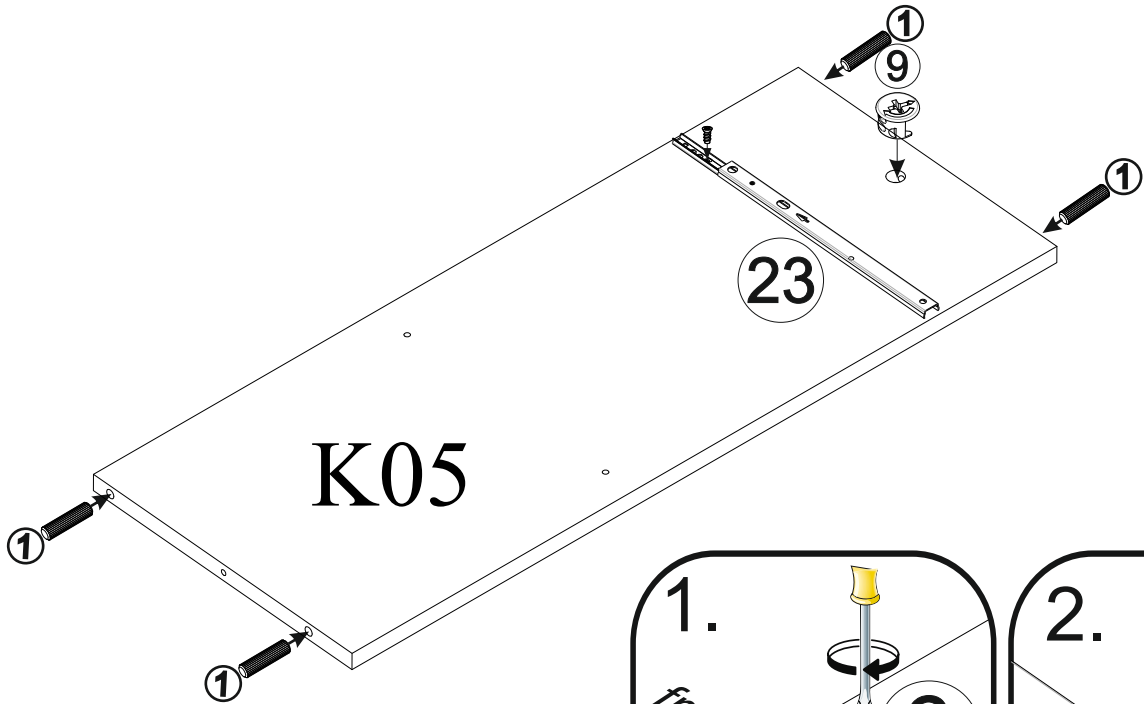
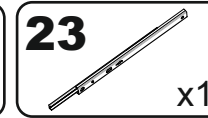
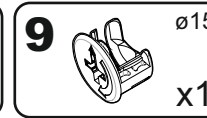
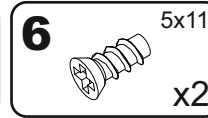
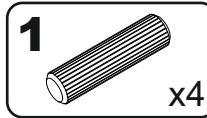
4

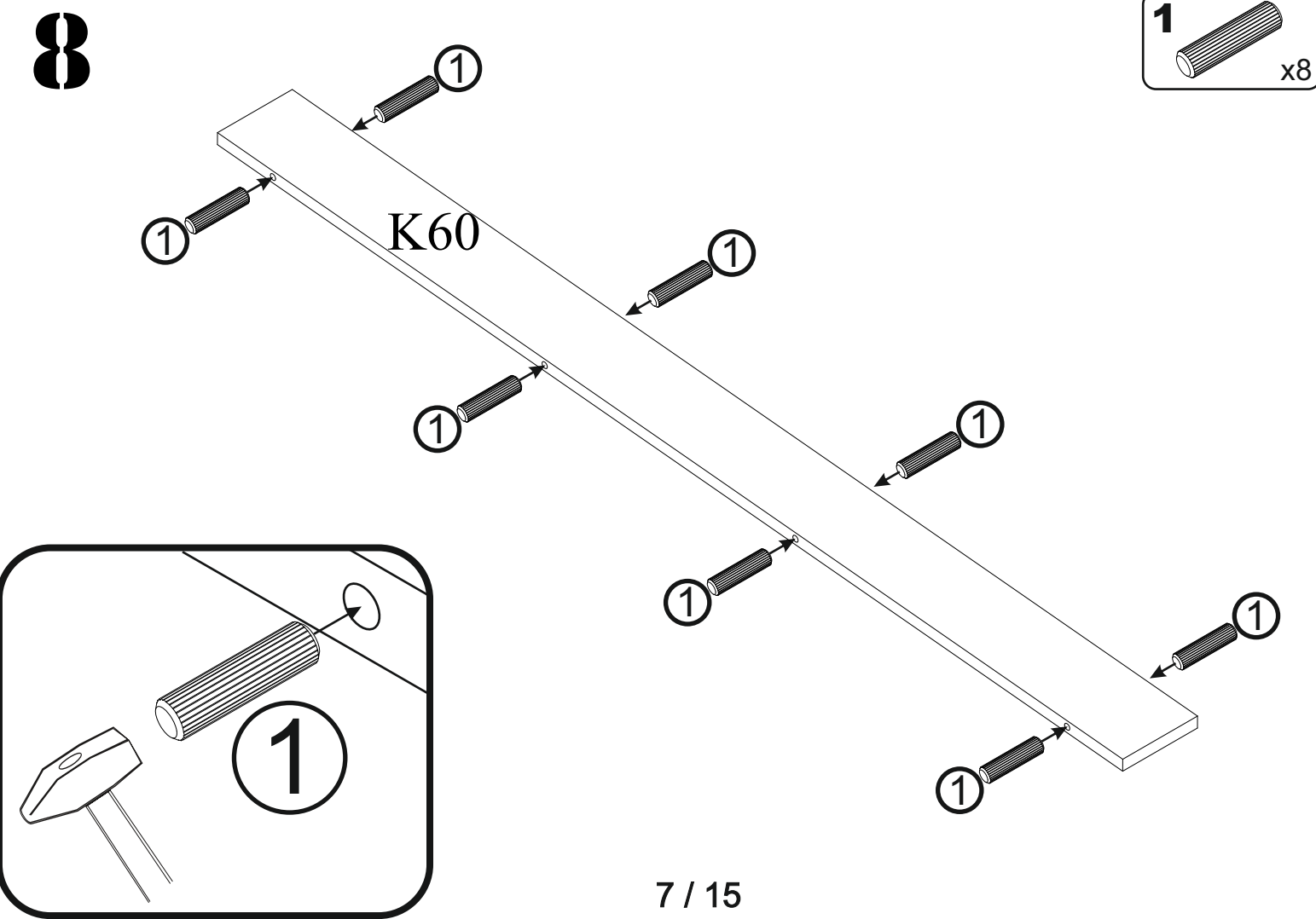
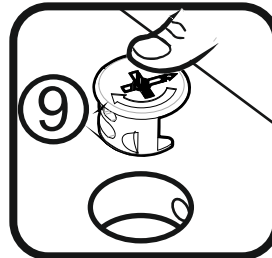
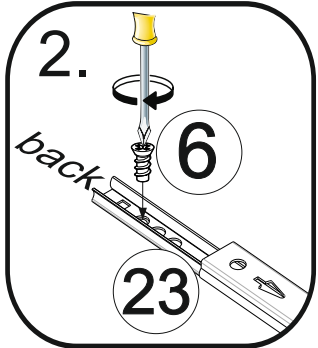
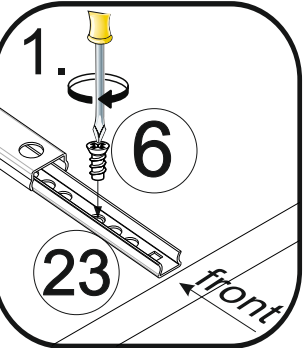
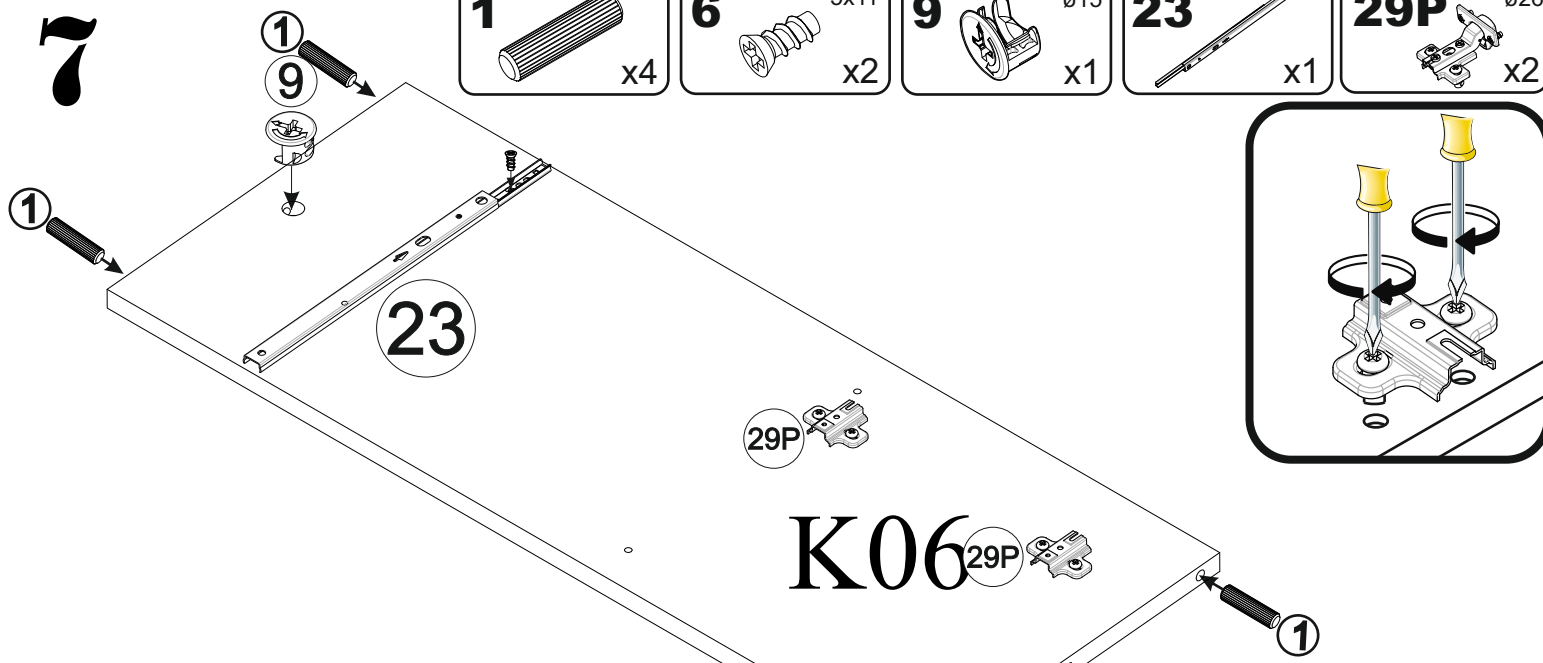


5

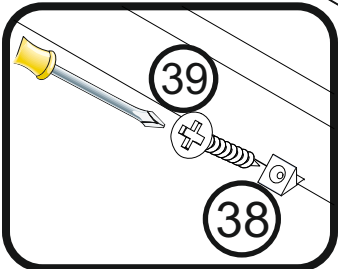
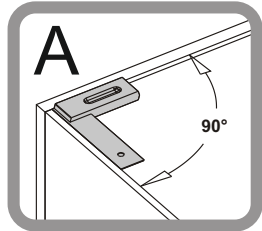
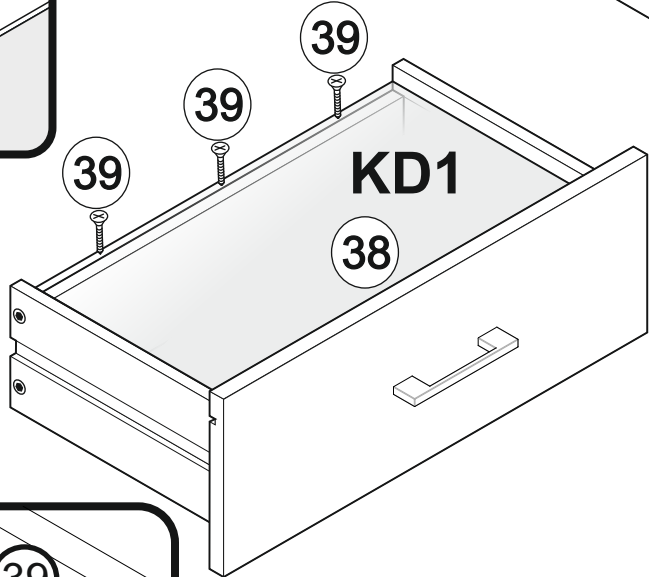
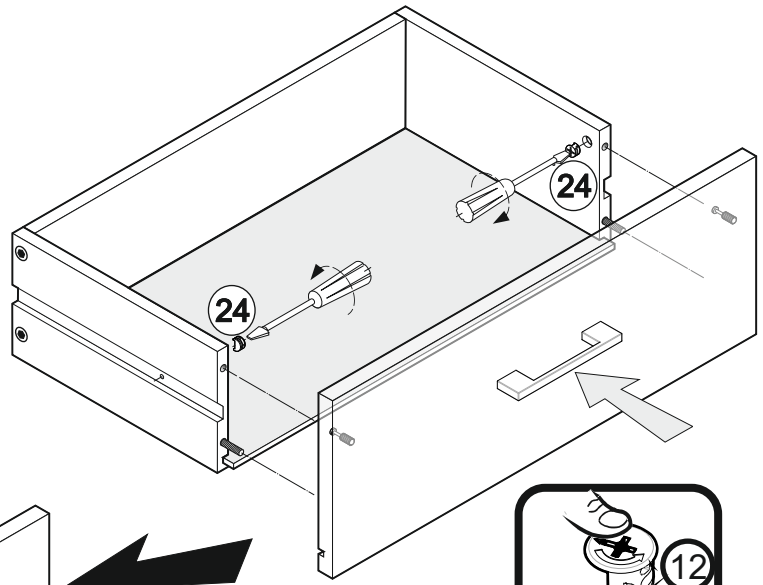
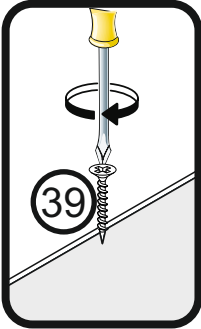
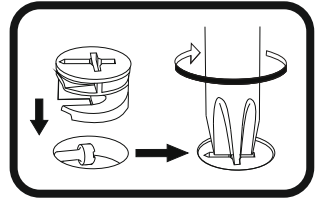
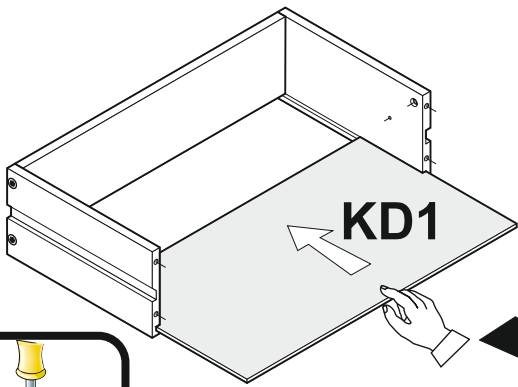
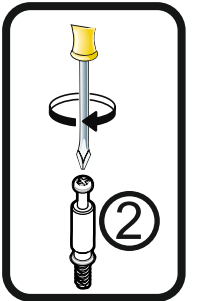
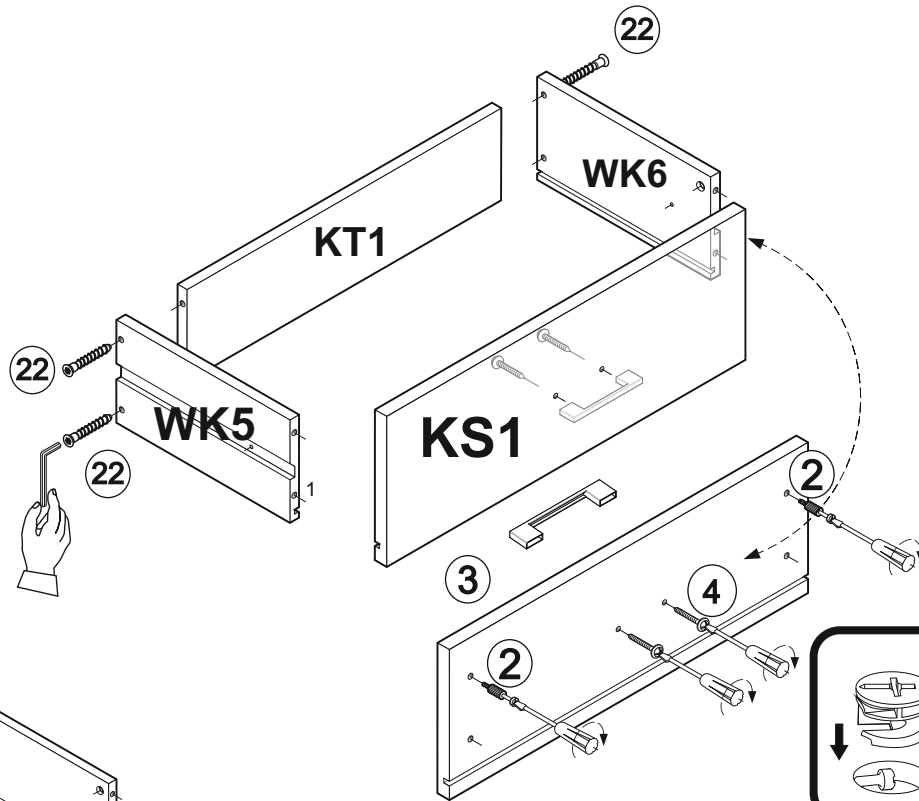
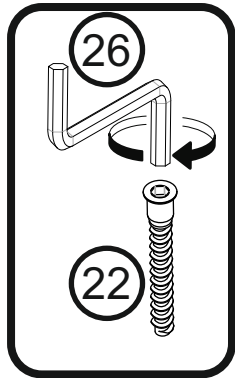
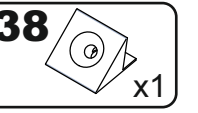
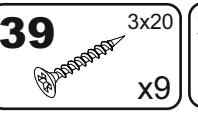
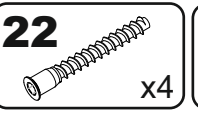
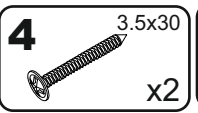
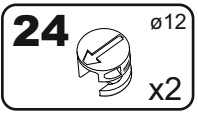
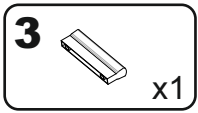
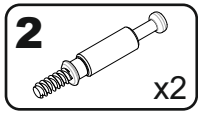


6

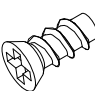



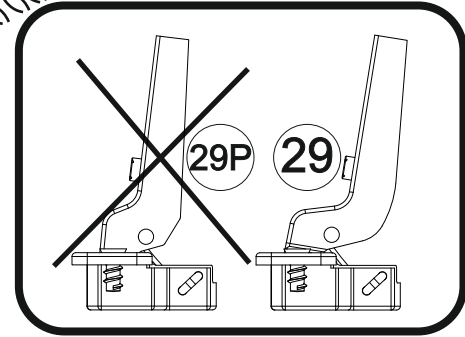
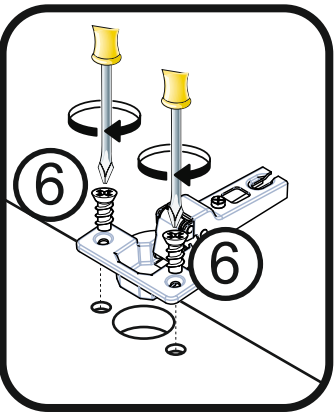
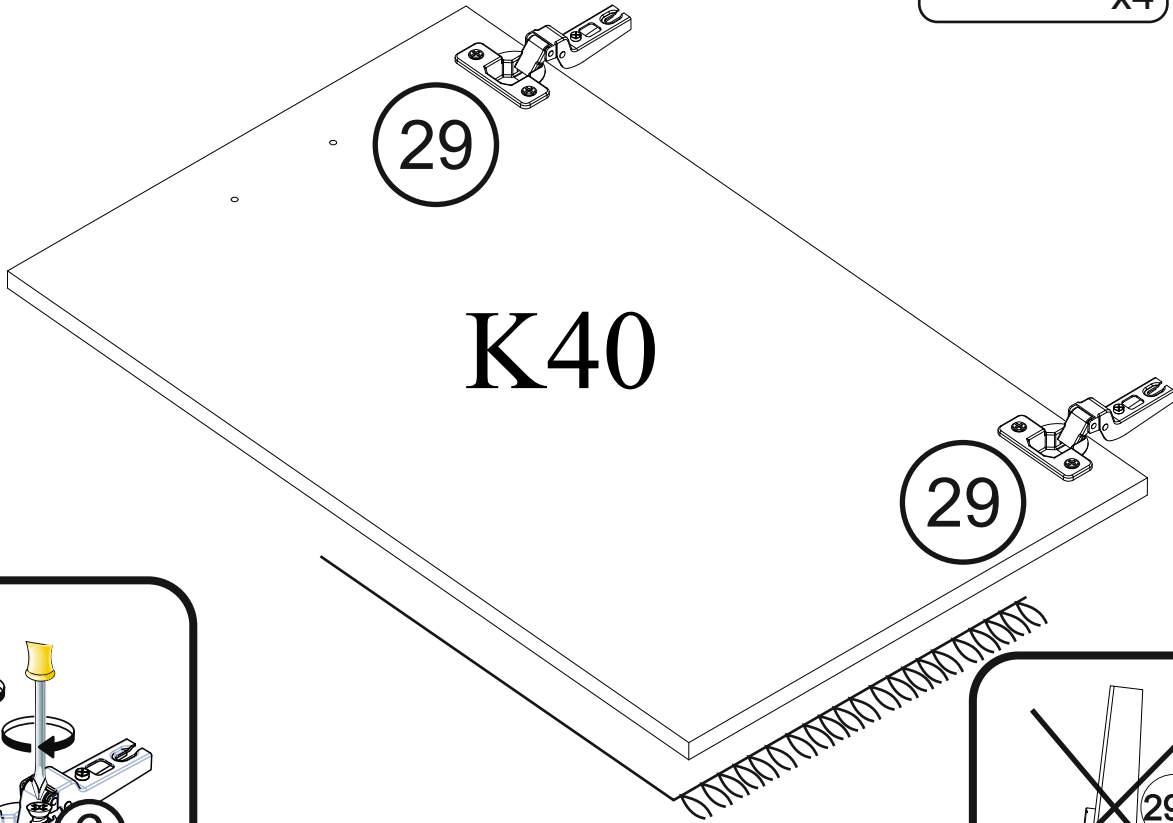


9

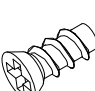
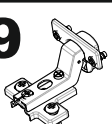


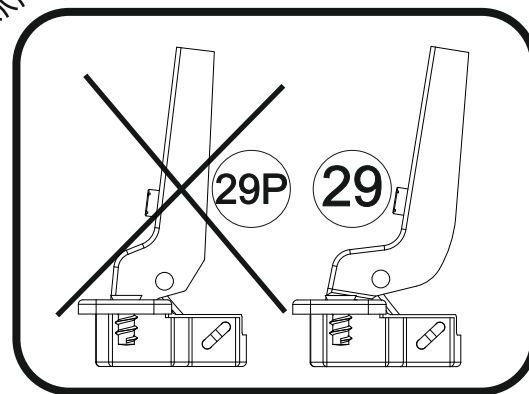
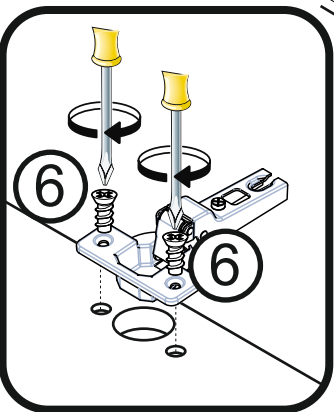
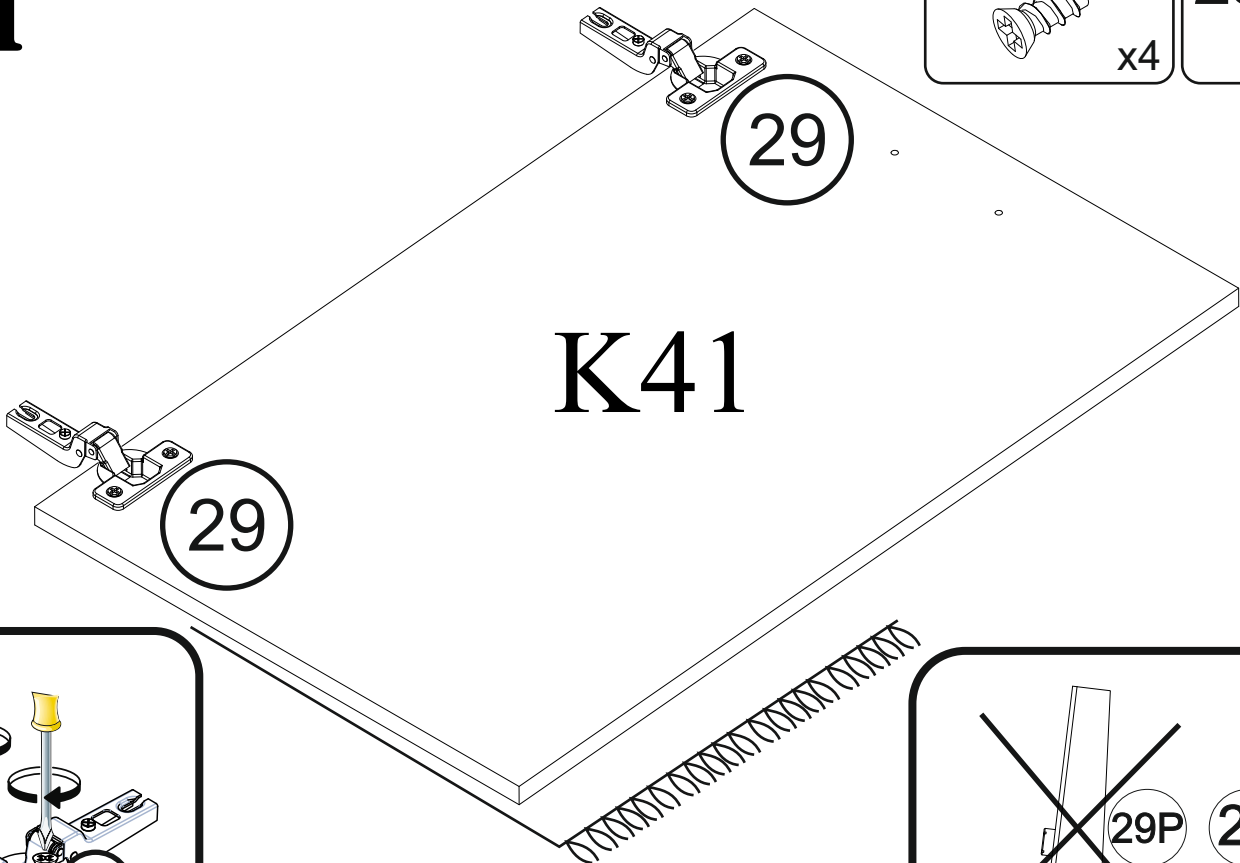
10

6	5x11	29	ø26
	x4		x2

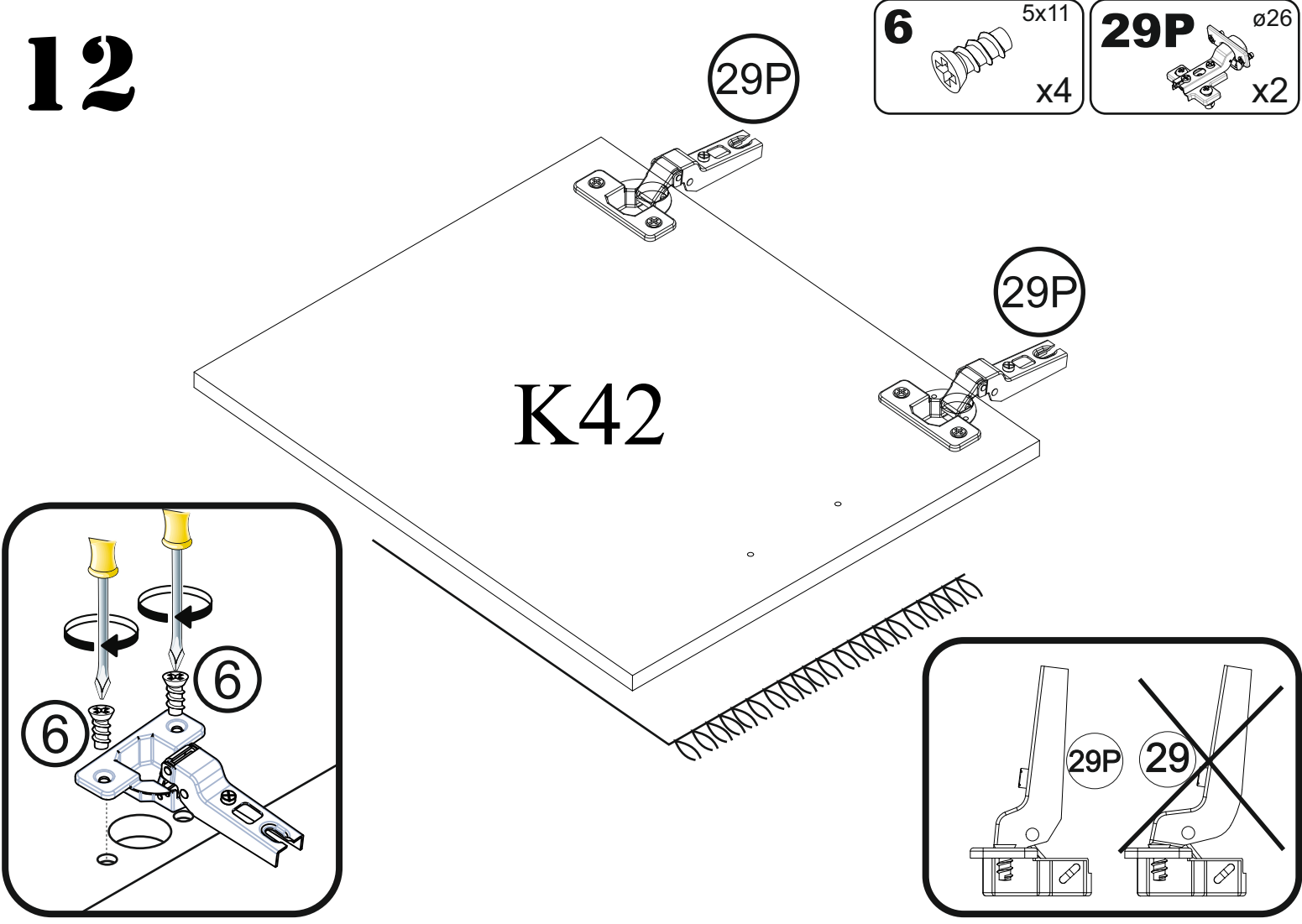


11

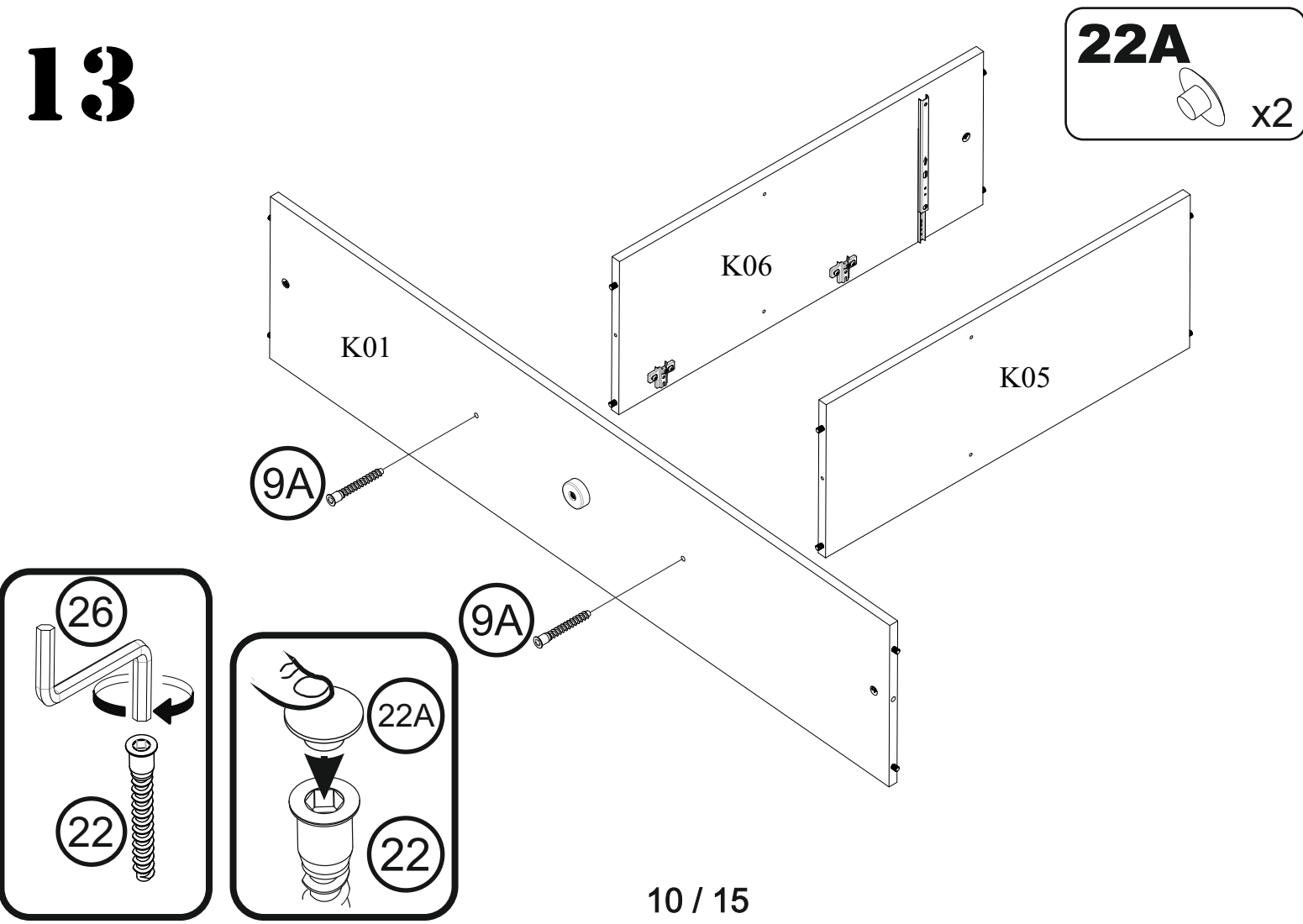
6	5x11	29	ø26
	x4		x2




12

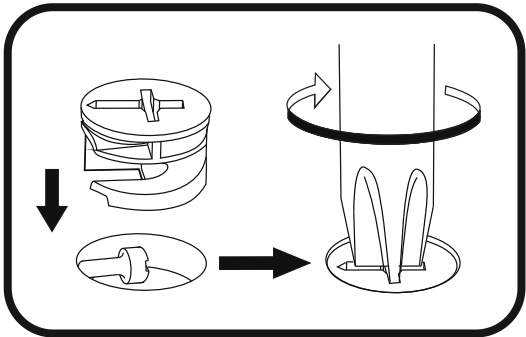
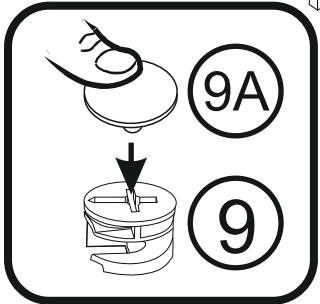
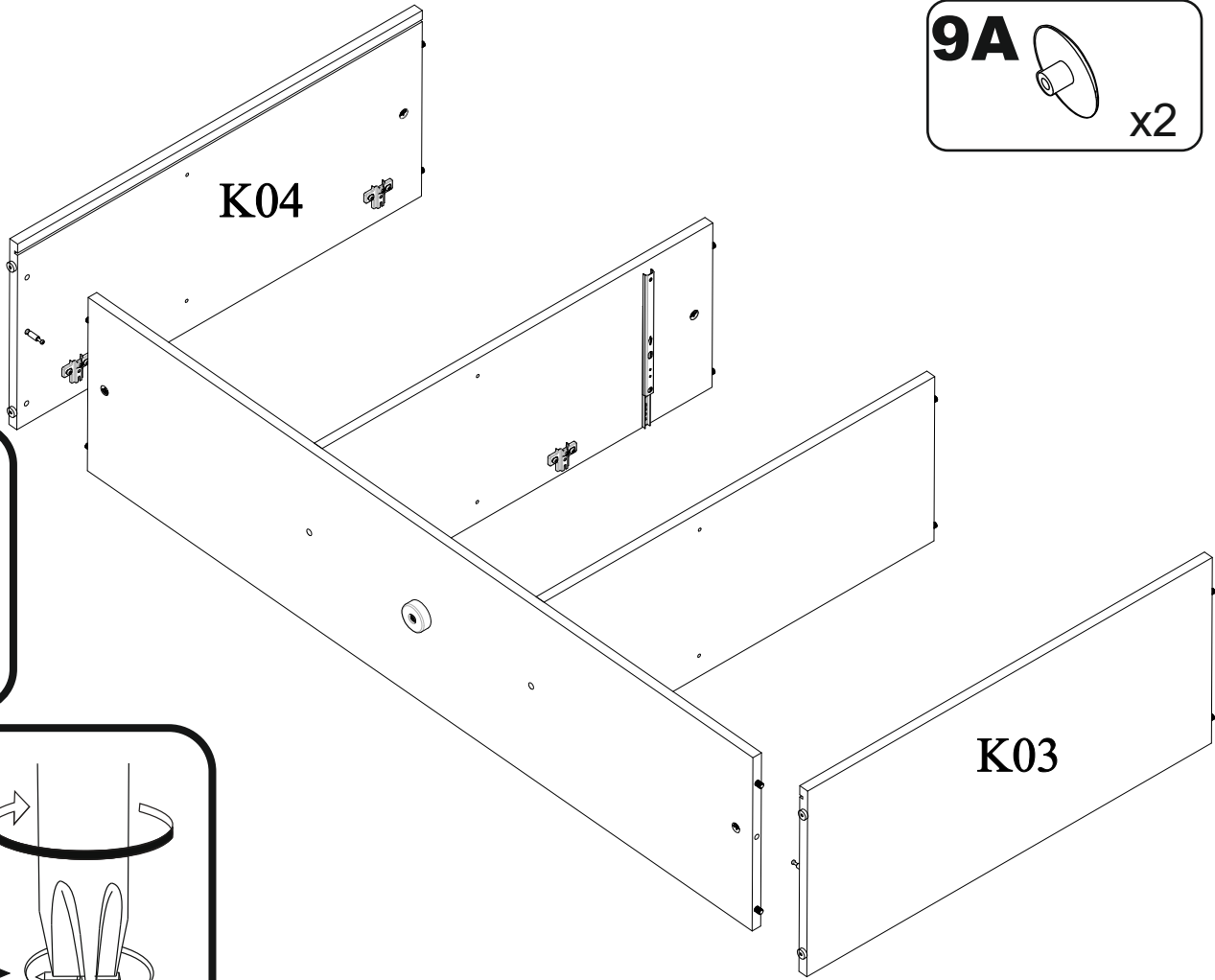


13




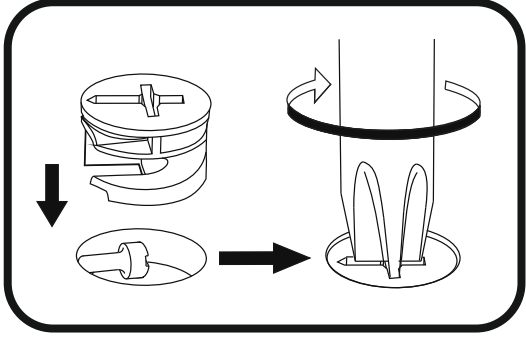
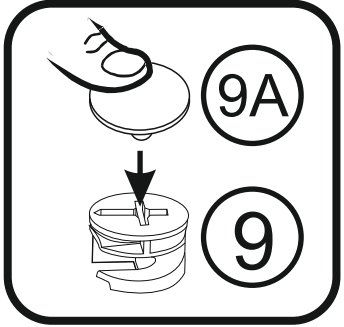
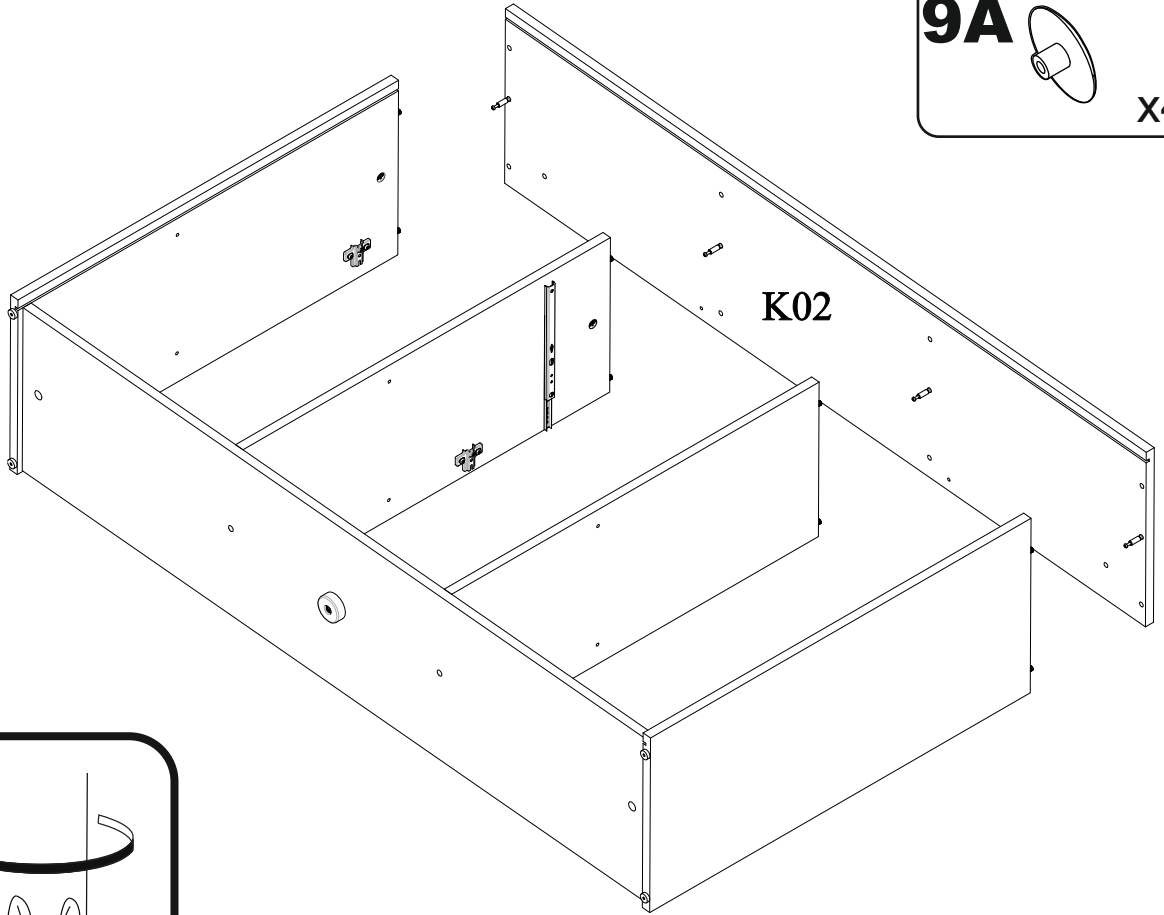
14

9A  x2

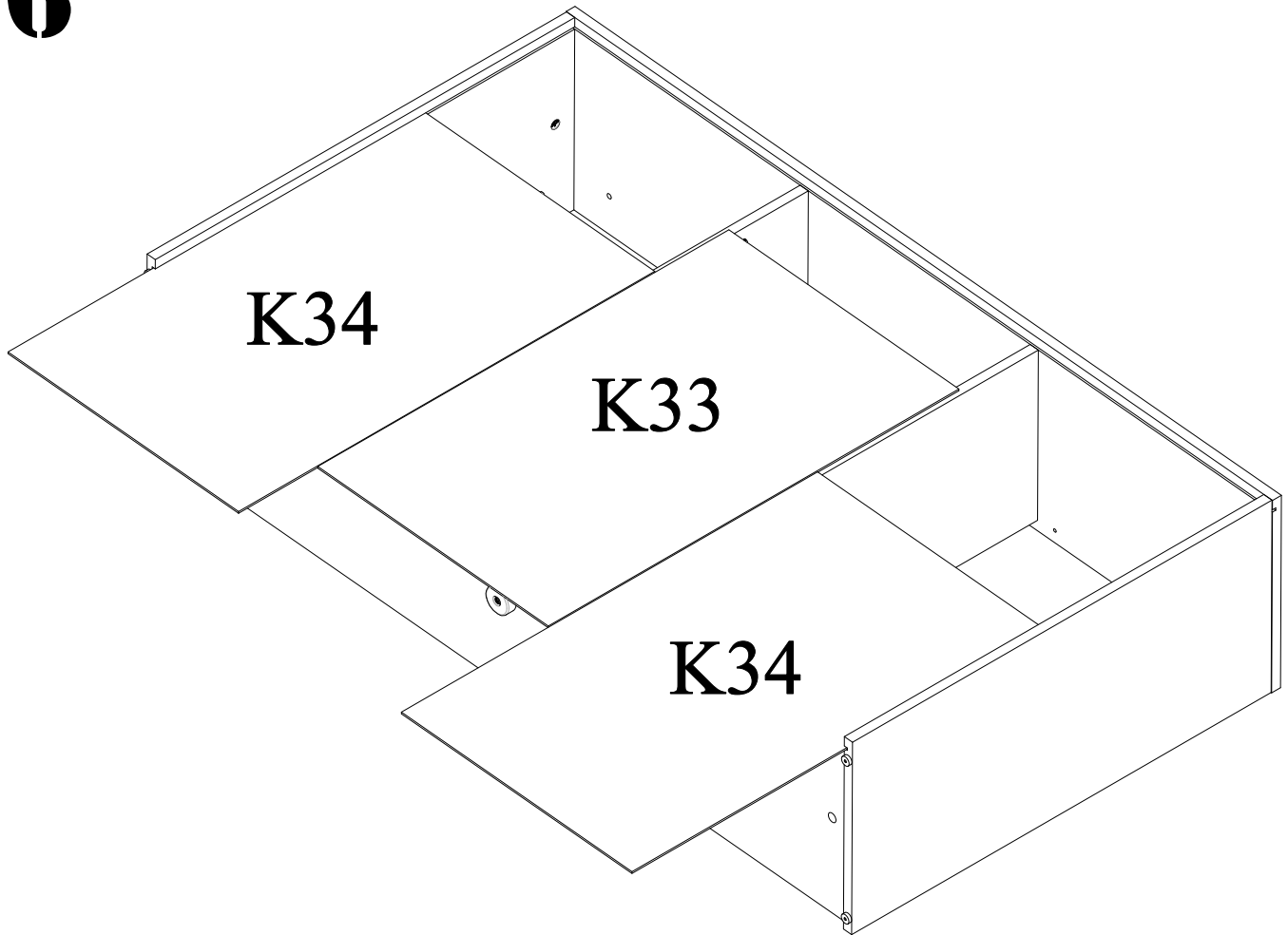


15

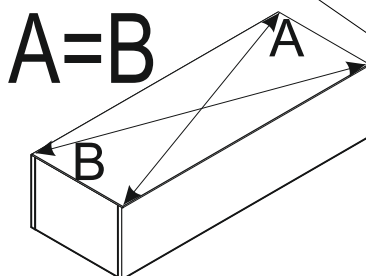
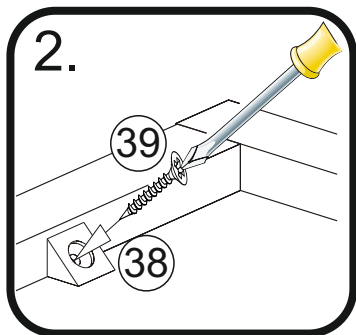
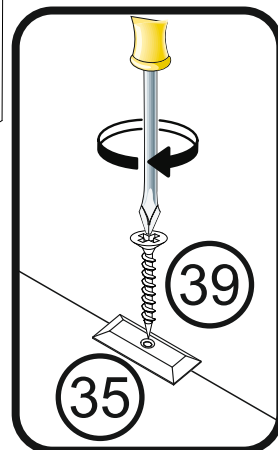
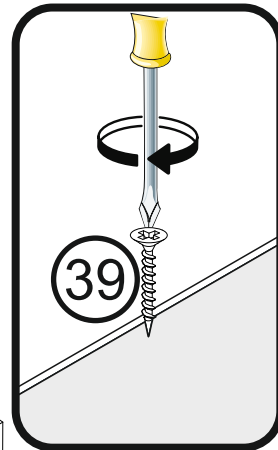
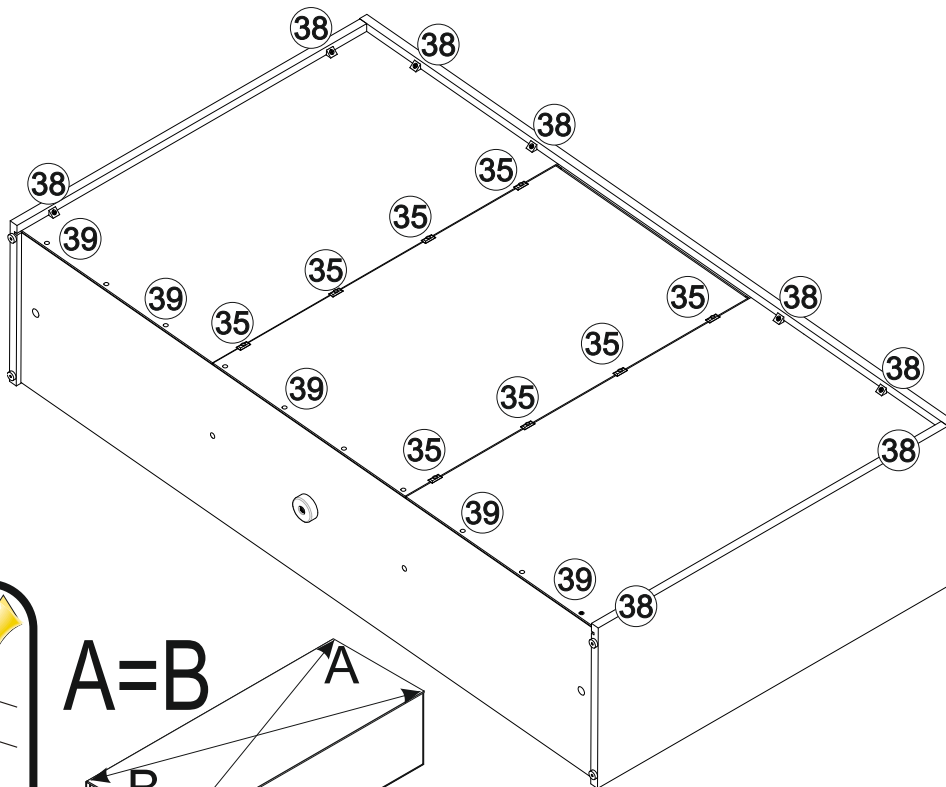
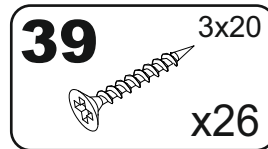
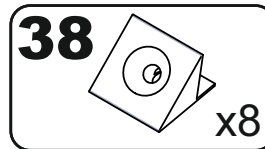
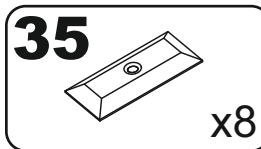
9A  x4



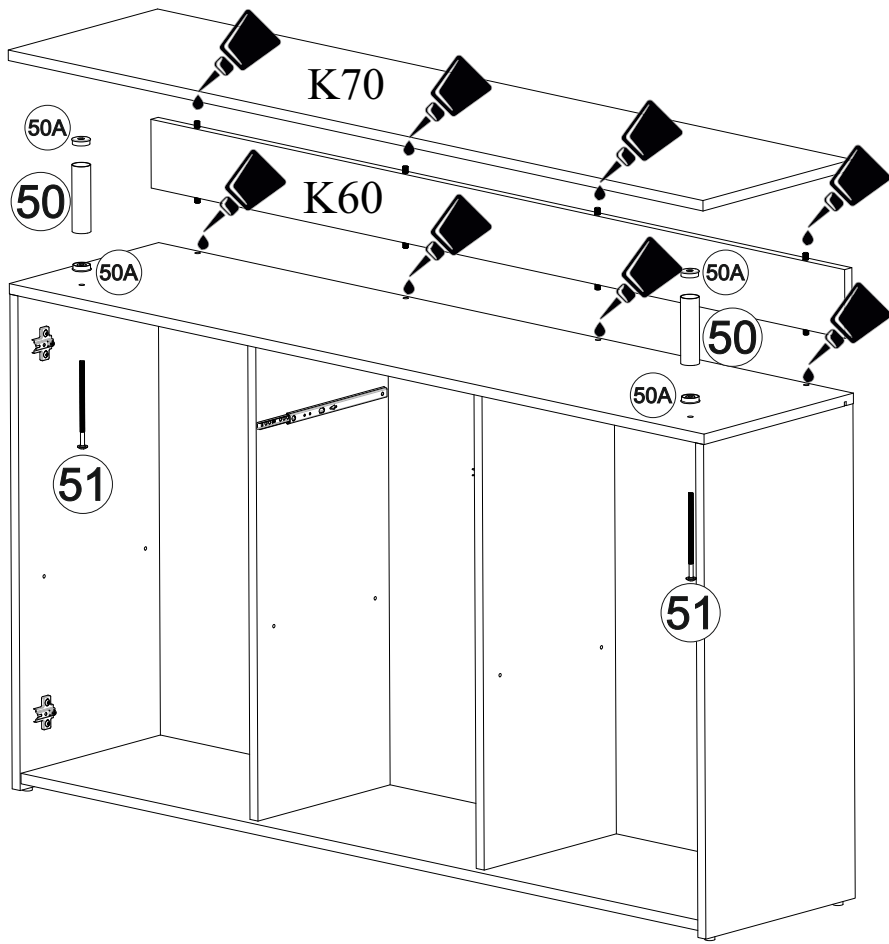
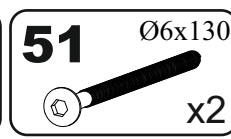
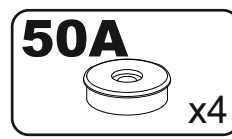
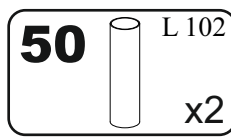
16



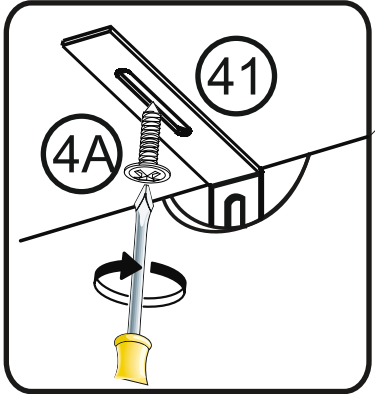
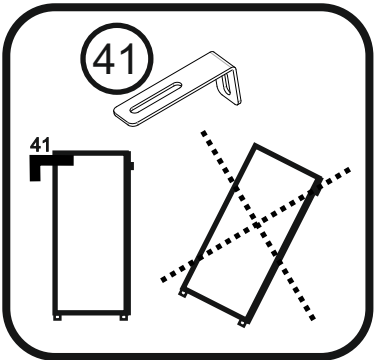
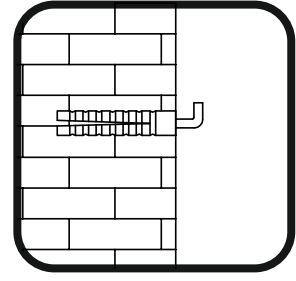
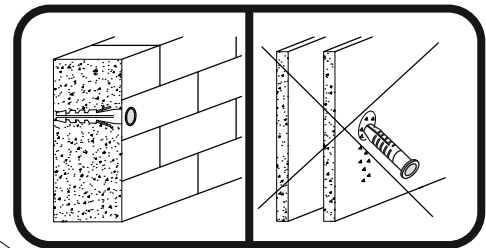
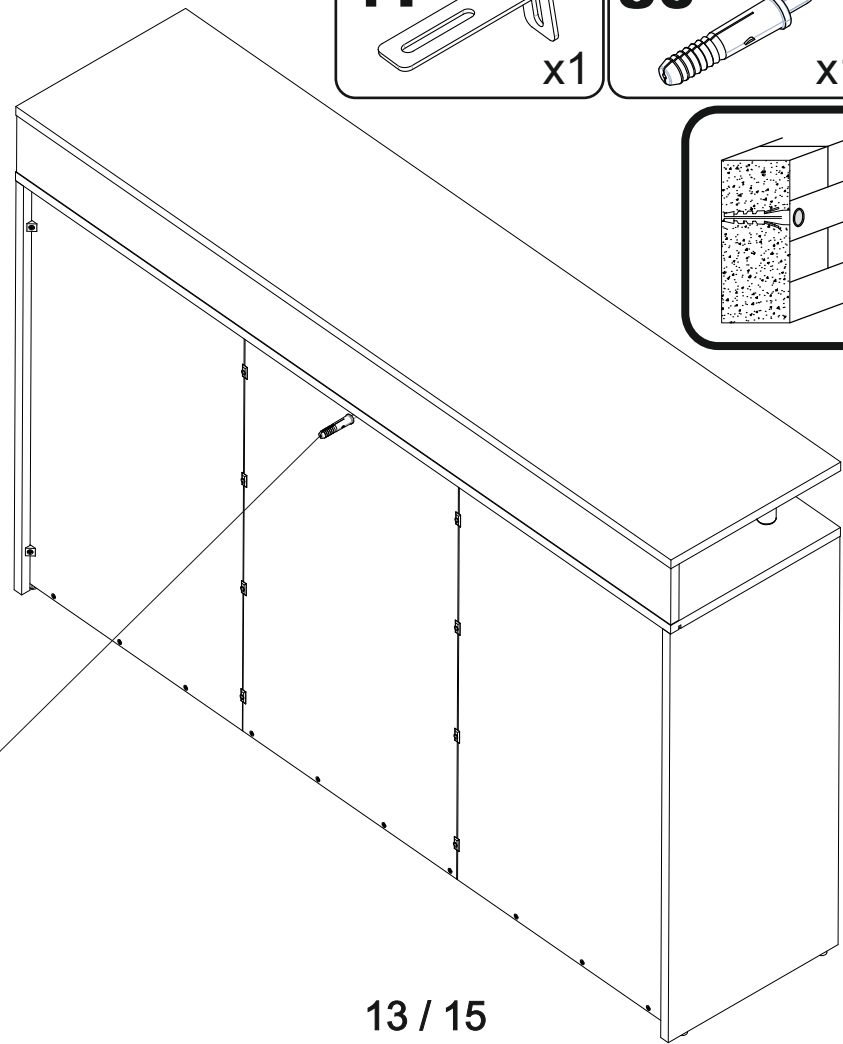
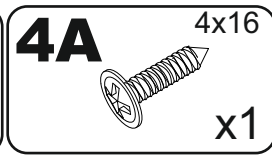
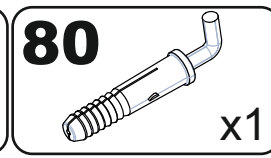
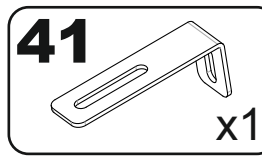
17



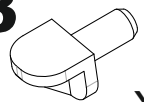
18

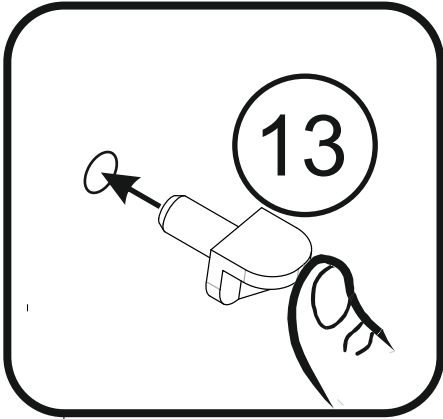
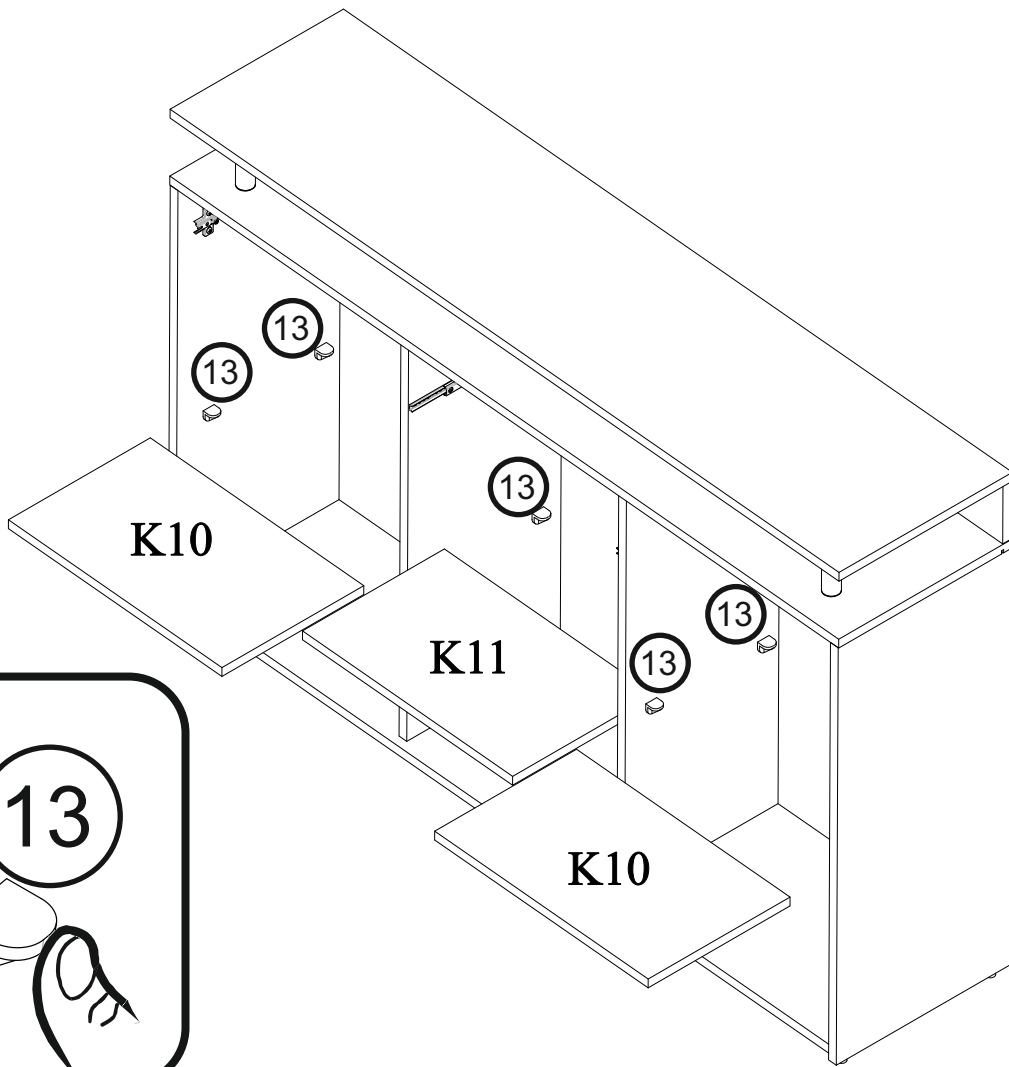


19

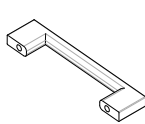


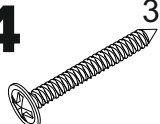
20

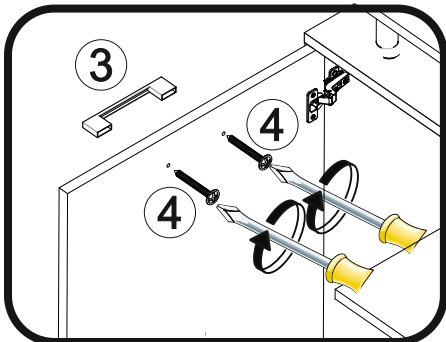
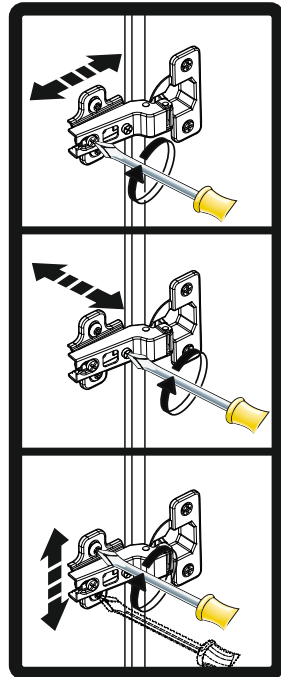
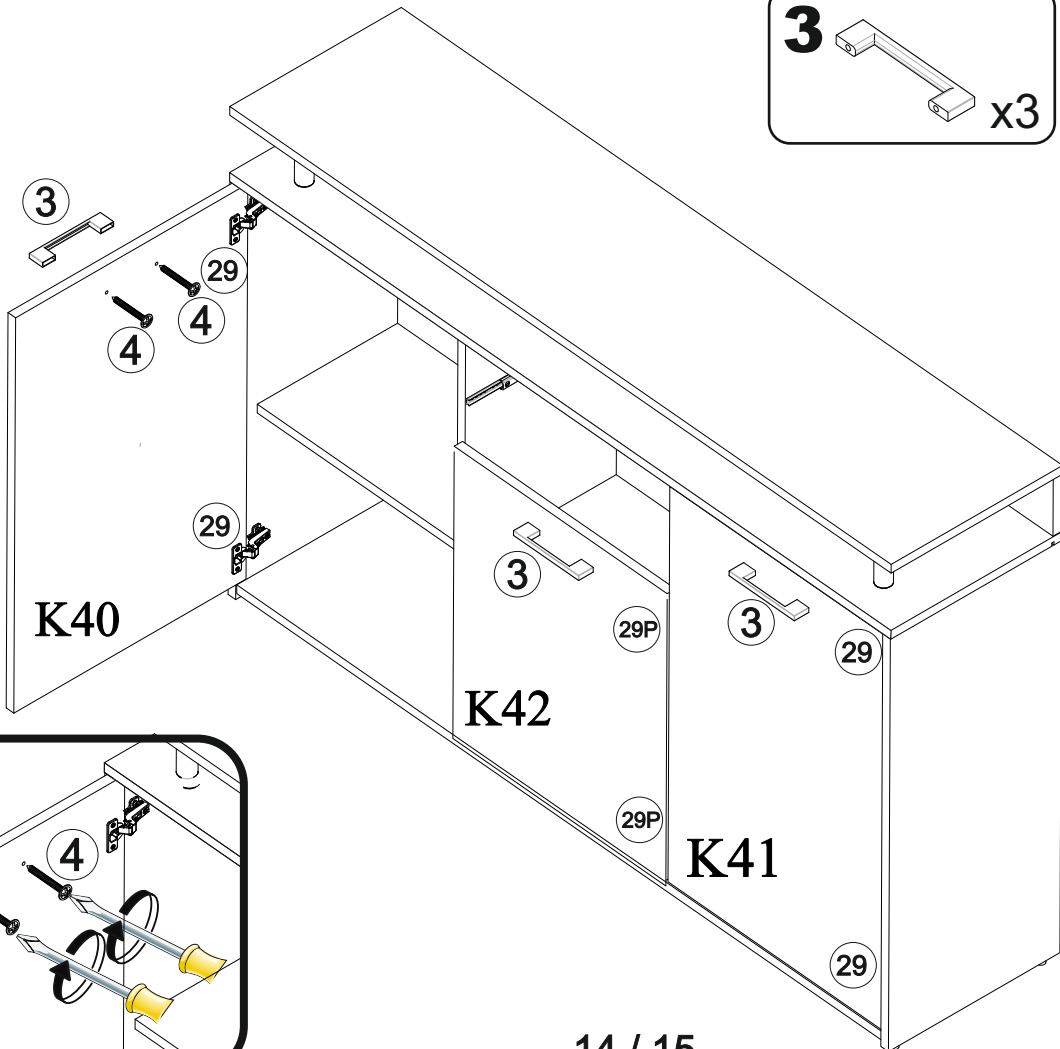
13  x12



21

3  x3

4  3.5x30 x6



22

