

**Model No.: PDR-051**



English .....	3
Nederlands .....	14
Deutsch .....	26
Français .....	38
Español .....	50

- User Manual DAB+, FM radio with Bluetooth, USB, SD and rechargeable battery
- Handleiding DAB+, FM-radio met bluetooth, USB, SD en oplaadbare accu
- Bedienungsanleitung Radio (DAB+ / UKW) mit Bluetooth, USB, SD und Akku
- Mode d'emploi DAB+, radio FM avec Bluetooth, USB, SD et batterie rechargeable
- Manual del usuario Radio DAB+, FM con Bluetooth, USB, SD y batería recargable

**CAUTION:**

Usage of controls or adjustments or performance of procedures other than those specified herein may result in hazardous radiation exposure.

**PRECAUTIONS BEFORE USE****KEEP THESE INSTRUCTIONS IN MIND:**

1. Do not cover or block any ventilation openings. When placing the device on a shelf, leave 5 cm (2") free space around the whole device.
2. Install in accordance with the supplied user manual.
3. Keep the device away from heat sources such as radiators, heaters, stoves, candles and other heat-generating products or naked flame. The device can only be used in moderate climates. Extremely cold or warm environments should be avoided. Working temperature between 0° and 35°C.
4. Avoid using the device near strong magnetic fields.
5. Electrostatic discharge can disturb normal usage of this device. If so, simply reset and restart the device following the instruction manual. During file transmission, please handle with care and operate in a static-free environment.
6. Warning! Never insert an object into the product through the vents or openings. High voltage flows through the product and inserting an object can cause electric shock and/or short circuit internal parts. For the same reason, do not spill water or liquid on the product.
7. Do not use in wet or moist areas such as bathrooms, steamy kitchens or near swimming pools.
8. The device shall not be exposed to dripping or splashing and make sure that no objects filled with liquids, such as vases, are placed on or near the apparatus.
9. Do not use this device when condensation may occur. When the unit is used in a warm wet room with damp, water droplets or condensation may occur inside the unit and the unit may not function properly; let the unit stand in power OFF for 1 or 2 hours before turning on the power: the unit should be dry before getting any power.
10. Although this device is manufactured with the utmost care and checked several times before leaving the factory, it is still possible that problems may occur, as with all electrical appliances. If you notice smoke, an excessive build-up of heat or any other unexpected phenomena, you should disconnect the plug from the main power socket immediately.
11. This device must operate on a power source as specified on the specification label. If you are not sure of the type of power supply used in your home, consult your dealer or local power company.
12. Keep away from animals. Some animals enjoy biting on power cords.
13. To clean the device, use a soft dry cloth. Do not use solvents or petrol based fluids.  
To remove severe stains, you may use a damp cloth with dilute detergent.
14. The supplier is not responsible for damage or lost data caused by malfunction, misuse, modification of the device or battery replacement.
15. Do not interrupt the connection when the device is formatting or transferring files. Otherwise, data may be corrupted or lost.
16. If the unit has USB playback function, the USB memory stick should be plugged into the unit directly. Don't use an USB extension cable because it can cause interference resulting in failing of data.
17. The rating label has been marked on the bottom or back panel of the device.
18. This device is not intended for use by people (including children) with physical, sensory or mental disabilities, or a lack of experience and knowledge, unless they're under supervision or have received instructions about the correct use of the device by the person who is responsible for their safety.
19. This product is intended for non professional use only and not for commercial or industrial use.
20. Make sure the unit is adjusted to a stable position. Damage caused by using this product in an unstable position vibrations or shocks or by failure to follow any other warning or precaution contained within this user manual will not be covered by warranty.
21. Never remove the casing of this device.
22. Never place this device on other electrical equipment.
23. Do not allow children access to plastic bags.
24. Only use attachments/accessories specified by the manufacturer.
25. Refer all servicing to qualified service personnel. Servicing is required when the device has been damaged in any way, such as the power supply cord or the plug, when liquid has been spilled or objects have fallen into the device, when the device has been exposed to rain or moisture, does not operate normally, or has been dropped.
26. Long exposure to loud sounds from personal music players may lead to temporary or permanent hearing loss.
27. If the product is delivered with power cable or AC power adaptor:
  - If any trouble occur, disconnect the AC power cord and refer servicing to qualified personnel.
  - Don't step on or pinch the power adaptor. Be very careful, particularly near the plugs and the cable's exit point. Do not place heavy items on the power adaptor, which may damage it. Keep the entire device out of children's reach! When playing with the power cable, they can seriously injure themselves.
  - Unplug this device during lightning storms or when unused for a long period.
  - The socket outlet must be installed near the equipment and must be easily accessible.
  - Do not overload ac outlets or extension cords. Overloading can cause fire or electric shock.

- Devices with class 1 construction should be connected to a main socket outlet with a protective earthed connection.
  - Devices with class 2 construction do not require a earthed connection.
  - Always hold the plug when pulling it out of the main supply socket. Do not pull the power cord. This can cause a short circuit.
  - Do not use a damaged power cord or plug or a loose outlet. Doing so may result in fire or electric shock.
1. If the product contains or is delivered with a remote control containing coin/cell batteries:
 

Warning:

    - "Do not ingest battery, Chemical Burn Hazard" or equivalent working.
    - [The remote control supplied with] This product contains a coin/button cell battery. If the battery is swallowed, it can cause severe internal burns in just 2 hours and can lead to death.
    - Keep new and used batteries away from children.
    - If the battery compartment does not close securely, stop using the product and keep it away from children.
    - If you think batteries might have been swallowed or placed inside any part of the body, seek immediate medical attention.
  2. Caution about the use of Batteries:
    - Danger of explosion if battery is incorrectly replaced. Replace only with the same or equivalent type.
    - Battery cannot be subjected to high or low extreme temperatures, low air pressure at high altitude during use, storage or transportation.
    - Replacement of a battery with an incorrect type that can result in an explosion or the leakage of flammable liquid or gas.
    - Disposal of a battery into fire or a hot oven, or mechanically crushing or cutting of a battery, that can result in an explosion.
    - Leaving a battery in an extremely high temperature surrounding environment that can result in an explosion or that leakage of flammable liquid or gas.
    - A battery subjected to extremely low air pressure that may result in an explosion or the leakage of flammable liquid or gas.
    - Attention should be drawn to the environmental aspects of battery disposal.

**INSTALLATION**

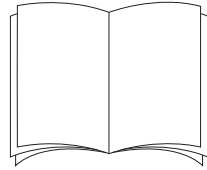
- Unpack all parts and remove protective material.
- Do not connect the unit to the mains before checking the mains voltage and before all other connections have been made.

## Accessories

- Remote Control



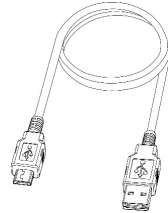
- User manual



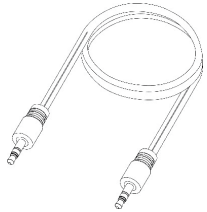
- Power Adapter



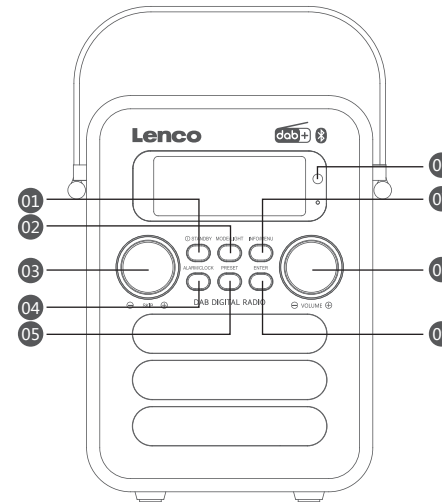
- USB charging cable



- Aux cable



## PRODUCT VIEW



### 1. STANDBY

In all modes:

- Short press to enter standby
- Long press to power on- or off.

When alarm is triggered: Short press to cancel the alarm and enter power off or standby

### 2. MODE/LIGHT

Short press: change mode to DAB/FM/AUX/BT/USB/SD

Long press: Change display brightness (low/medium/high)

### 3. SKIP-/+:

In DAB mode: Rotate left/right to move through the station list. Rotate left/right and hold will fast move through the station list.

In FM mode: Rotate left/right for fine-tuning. Rotate left/right and hold to do autoscans to next strong station.

In Menu mode: Rotate left/right to move through menu options

In BT/USB/SD mode: Rotate left/right to play next/previous track

### 4. CLOCK/ALARM

In all modes: Short press to set the Alarm 1, 2, 3 or 4

### 5. PRESET

In DAB/FM mode: Short press to show preset station list. Long press PRESET to store the current radio station as preset.

In USB/SD mode: Short press to select Single play/random play/all play

### 6. Infrared remote control receiving window

### 7. INFO/MENU

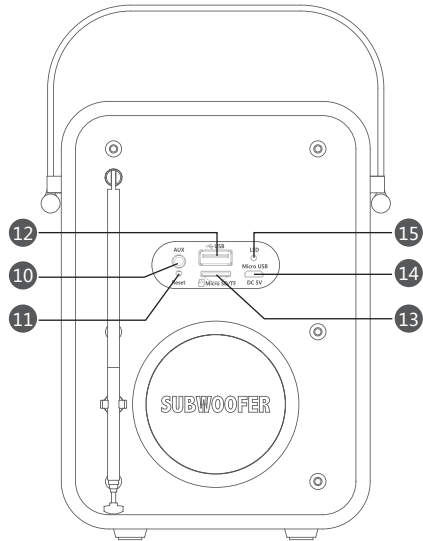
Multiple short press to show different information.

Long press to enter the settings menu. Short press again to exit the active menu.

### 8. Volume -/+

Rotate left/right to decrease/increase

Short press the VOLUME button to Mute/Unmute the sound.



**9. Enter/AUTO SCAN**

In menu mode: Short press to Confirm current selection  
 In USB/SD card mode: short press for Play/pause functionality  
 BT mode: Short press for Play/pause  
 DAB mode: Press and hold for initiating autoscan  
 FM mode: Short press to scan till next radio station found. Long press initiates autoscan and saves found radio stations as preset.

**10. AUX**

**11. Reset**

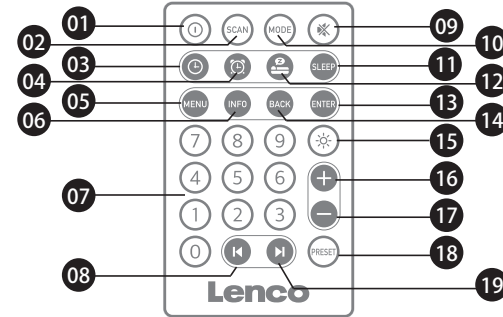
**12. USB**

**13. Micro SD/TF**

**14. Micro USB**

**15. LED**

**Remote control View**



1. Short press the standby button: enter function mode/standby
2. DAB/FM mode: short press to search for radio stations
3. CLOCK setting key: short press to enter the clock setting interface
4. ALARM key: short press--enter the alarm setting state
5. MENU Key: short press to enter the menu settings
6. INFO button: short press to display various information
7. NUMBER Keys: Combine numbers 0-9 keys to select radio station or song number
8. Previous  
 DAB mode: short press--select previous station  
 Press and hold--to move backwards quickly  
 FM mode: short press--fine-tuning backwards  
 Press and hold--automatic search backwards  
 Menu mode: short press--move backwards
9. MUTE button: Speaker Mute/Unmute
10. MODE button: select DAB/FM/BT/USB or TF/SD mode
11. In all modes, short press to set SLEEP Function: OFF/15/30/45/60/75/90/120 minutes
12. SNOOZE button: When the alarm sounds, short press to enter the snooze function.  
 In the snooze function, short press to select different snooze time
13. ENTER Key  
 DAB and FM mode: OK function  
 BT mode: play/pause function  
 In menu mode: confirm current selection
14. BACK Key: Short press to return back one stage
15. BRIGHTNESS Key: LCD brightness adjustment key. Short press to select between 3 levels of brightness
16. VOL + Key: Increase the volume
17. VOL - Key: Decrease the volume
18. PRESET Key
19. SKIP+ Key

## Using Your Radio

### Power on/off using DAB Mode for the first time:

When using The PDR-051 extend the antenna full for the best FM/DAB radio signal.

Shortpress **STANDBY** to turn on the radio to automatically enter the DAB mode. If this is the first time the radio has entered DAB mode, it will automatically search for and store DAB stations which are available in your local area.

The radio will automatically synchronize time and date with the DAB signal found. After the search has finished rotate the skip knob to select a station and press **ENTER** to confirm. The selected station will start to play.

### FM radio

Press **MODE** to switch to Fm mode. In FM mode, press and hold the enter button to start autoscans which searches and stores the radio stations found. If the reception signal should be adjusted, you can rotate **SKIP +/-** to adjust the frequency manually. You can store your favorite radiostation as preset by longpress the **PRESET** button. Rotate **SKIP** to select the preset number you want to store it and then press **ENTER** to save it to the selected location. To select a previously saved preset, short press **PRESET** to show the preset list, then Rotate **SKIP** to select the radio station frequency and press **ENTER** to confirm your selection.

### Standby:

Short press **STANDBY** to enter the **STANDBY** mode whilst using any playback mode. When in Standby mode the display will only show the time/date and (active) alarms set.

In Standby mode, you can press **INFO/MENU** to set the time, date, alarm and other settings.

To turn on the device again short press **STANDBY** again.

Long press **STANDBY** to turn the PDR-051 fully off. No time, date, alarm will be shown and the active alarms won't be triggered.

**NOTE: Only use the standby mode when the PDR-051 is connected to the mains power adaptor.**

### Charging:

The PDR-051 can be charged while either powered on or off. It is recommended to use the supplied charger (output: 5VDC, 600mA) use the supplied micro USB cable for charging. The indicator LED light on the back is red when charging and the indicator light is green when the battery is fully charged.

### Menu Settings

In the different playback modes, you can long press **INFO/MENU** to enter the menu settings of the active mode. Rotate **SKIP +/-** to highlight a submenu item and press **ENTER** to enter the submenu. If there is only one menu in the sub-menu, press **ENTER** to confirm the highlighted option. To return to the previous menu press **INFO/MENU**.

### Setting the date and time manually

If the PDR-051 can't find a signal to synchronise the time automatic, you can set the time and date manually.

To do this press and hold **INFO/MENU** or press and hold **ALARM&CLOCK**, rotate **SKIP** to select Time/Date and press **ENTER**.

Rotate **SKIP** to adjust the date. Press **ENTER** to confirm and then repeat to set the Month, Year, Hour and minute

After you've set the date and time the menu will automatically exit to the previous menu. The time/date you have set will be saved automatically. Press "**INFO/MENU**" to return step by step or long press **Info/Menu** to exit the menu.

### Auto Update/Set 12/24 Hour/Set Date Format options

**Set Time/Date:** Set Hour system, Set Date Format, Auto update

**Set Time/Date Set Time/Date.** 01-01-2021 0.0=00

**Auto Update:** Select Update from Radio or No Update

**Set Hour System:** Select 12Hour or 24Hour

**Set Date Format:** Select dd-mm-yyyy, mm-dd-yyyy, yyyy-mm-dd

### Alarm clock Settings

To set the alarm clock short press clock **ALARM** to enter the alarm setting interface, Rotate **SKIP** to select alarm 1 or alarm 2, 3 or 4. After selecting the desired alarm short press the **ENTER** and rotate **SKIP** to select:

Time/Source/Repeat/Volume/ON/OFF setting options.

**Time:** Select the time by rotating **SKIP** and then press **ENTER** to confirm

**Alarm time:** 15/30/45/60/75/90/120 minutes

**Source:** FM, DAB, Buzzer, SD, USB

**Repeat:** There are Once/Daily/Weekends/Workday options

**Volume:** Select the volume value through rotating **SKIP** left and right.

**Alarm ON/OFF:** On/Off option; Press **ENTER** to confirm. After setting, Press **INFO/MENU** to exit the alarm setting. When the alarm sounds, the sound is gradually increasing to the set volume. Short press **ENTER** button to adjust the snooze countdown time and activate the snooze function; Short press **STANDBY** button to turn off the alarm when it is ringing.

WARNING: We advise to not use the ALARM in battery mode to avoid that the battery could get empty at the wake up time! Better use the ALARM when the device is connected by USB cable to the external power supply.

### DAB Function

If the PDR-051 enters DAB mode for the first time the radio will automatically search for radio stations available in your local area. If the radio has already searched for radio stations before, you can press and hold **ENTER** button to automatically search for stations again

After the station search is completed, Rotate **SKIP** to move up and down the stations in the station list, Press **ENTER** to select the station Rotate **VOLUME** to adjust the appropriate volume.

Short press **VOLUME** to mute/unmute.

Short press the **INFO/MENU** to view the current radio information text information, signal strength program type, episode name, channel number/frequency, signal error rate, bitrate, time and date etc.

### Saving a DAB station as Preset

Press and hold the **PRESET** button to enter the radio station preset-store interface. Rotate **SKIP** to move the preset-store position up and down. Rotate "**SKIP** button and **ENTER** to store the radio station to the current position. Short press the **PRESET** button to enter the radio station recall interface and then Rotate **SKIP** to select a preset-stored radio station. press the **ENTER** button to confirm and play.

You also use the 0-9 number buttons on the remote control to select the preset-stored radio station for play.

**Note: A total of 40 preset radio stations are available.**

### IMPORTANT INFORMATION REGARDING DAB+ RECEPTION

#### DAB+ radio reception is different from FM radio reception.

- In FM, you can often still receive a weak station, but probably with a rustling or crackling sound.
- DAB + reception works digitally and if there is not enough signal you hear nothing. No hiss or crackle as with FM. This is not due to the radio, but to the fact that there is not enough DAB+ signal at that location.
- DAB + rule is: no or weak reception = no sound.

#### What can you do if you do not have direct DAB+ reception.

- Always point the antenna straight up vertically first.
- Do not place the radio too close to potential sources of interference such as, battery chargers, rotating machinery, computers, large metal surfaces, etc.
- Move the radio a few meters.
- Turn on the radio and activate a full scan in the DAB+ menu
- In the display of the radio you will see the progress of the scan and the number of stations found in the current position of the radio.

#### Important

- With DAB+ reception, there can be a very big difference in reception level between one location and "a few meters away". In case of a local weak DAB+ signal, move the radio to find a stronger signal.
- If you take the radio to another location, perform a full scan again. This will show you which DAB+ stations can be received there.

#### FM Function

Turn the PDR-051 on and switch to FM Radio mode

Long press the enter button to start autoscans, which searches and stores the radio stations found. Rotate skip to highlight the saved radio stations and press ENTER to play the desired station

Short press **INFO/MENU** button to view information about the current station, Text information, program type, set name, channel information, EQ type, battery level, time and date.

#### Saving a FM station as Preset

Press and hold the PRESET button to enter the radio station preset-store interface. Rotate **SKIP** to move the preset-store position up and down. Rotate **SKIP** button and **ENTER** to store the radio station to the current position. Short press the PRESET button to enter the radio station recall interface and then Rotate **SKIP** to select a preset-stored radio station. press the **ENTER** button to confirm and play.

You also use the 0-9 number buttons on the remote control to select the preset-stored radio station for play.

**Note: A total of 40 stations are available.**

#### AUX mode

You can connect any audio device through the 3.5mm AUX in connector by the 3.5mm audio cable.

#### Playback USB/SD card

Power the PDR-051 on and press **"MODE"** button several times until USB (or SD) appears on the display and then you can play music by inserting USB stick or Micro SD card songs with MP3, WAV, FLAC, WMA, APE.

Rotate **VOLUME** to adjust the volume Short press **VOLUME** to toggle mute on and mute off.

Rotate SKIP to switch Previous or next track rotate and hold skip button to rewind and fast forward the song short press the **ENTER** to play or pause.

You also use the 0-9 number buttons on the remote control to select songs for playback.

During playback, Short press **INFO/MENU** to view the currently playing song information (song name, current track/total track, current playing time/total current track time date, etc)

#### Bluetooth mode

1. Short press the **MODE** button several times until "BT" appears on the display. After a few seconds it will display the text "Disconnected". (if no device was paired before). The unit is ready for Bluetooth connections.
2. To connect your Bluetooth device, The first open the Bluetooth configuration on your smartphone or other Bluetooth device, Then scan or search the device "Lenco PDR-051", click to connect with "Lenco PDR-051". The Bluetooth connection will be made and your smartphone or other Bluetooth device can be used with your Lenco PDR-051.
3. Now you can use your favorite streaming service app or local music app on your smartphone or other connected Bluetooth device to play music through the Lenco PDR-051 speakers.
4. You can short press **ENTER** to pause/play and use the **SKIP+/SKIP-** to play the next or previous song.
5. The volume can be adjusted with the **VOLUME+/VOLUME-** button. **(please note that in most cases you first need to turn up the volume to max on the connected smartphone or other connected bluetooth device)**

#### Bluetooth hands-free call.

When receiving a phone call while Bluetooth music is playing, the music will stop. A ring sound will be heard and a message will be displayed on the screen. Short press **SKIP** or the **ENTER** button to answer the call. The display will show 'HFP RUN'. You can speak through the internal microphone on the front of the PDR-051

To end the conversation, Short press **SKIP** or the **ENTER** button.

To reject an incoming call, long presses "SKIP" or "ENTER" when the call comes in.

#### NOTE:

**This product has a bluetooth reception function, you can not transmit any bluetooth sound with it: this means that you can receive wirelessly a bluetooth sound signal from an external source like a smartphone.**

Power supply adaptor (For EU only)

Use only the power supply listed in the user instructions.

Information	Value and and precision
Manufacturers name or trade mark, commercial registration and address	Shenzhen Fushigang Technology Co., Ltd
Model Identifier	AS0601A-0500600EUU
Input voltage	100V~240V AC
Input AC frequency	50Hz/60Hz
Output voltage	DC 5,0V +/-5%
Output current	0,6A
Output Power	3,0W
Average active efficiency	≥69,64%
Efficiency at low load (10%)	≥61,05%
No load Power consumption	≤0,1W

#### Product Specification

- Output power Max: 6W
- S/N ratio: ≥70dB
- Distortion: ≤1%
- Frequency Response: 100HZ-18KHZ
- Audio input mode: DAB, FM, BT, USB, TF, AUX
- Driver unit: 52mm internal magnetism (4Ω/3W\*2)
- Battery: 18650 3.7V/1800mAh lithium-ion battery
- USB/Micro SD maximum input sensitivity: 0dBm
- DAB receive input sensitivity: -95dBm
- FM receive input sensitivity: -105dBm
- Working temperature: -10°C-50 °C
- Storage temperature: -20°C ~ +70 °C
- Unit size: 110mm/145mm/80mm
- Net weight: About 760 g

## 1. Garantie

Lenco offers service and warranty in accordance to European law, which means that in case of repairs (both during and after the warranty period) you should contact your local dealer.

Important note: It is not possible to send products that need repairs to Lenco directly.

Important note: If this unit is opened or accessed by a non-official service center in any way, the warranty expires.

This device is not suitable for professional use. In case of professional use, all warranty obligations of the manufacturer will be voided.

## 2. Disclaimer

Updates to Firmware and/or hardware components are made regularly. Therefore some of the instruction, specifications and pictures in this documentation may differ slightly from your particular situation. All items described in this guide for illustration purposes only and may not apply to particular situation. No legal right or entitlements may be obtained from the description made in this manual.

## 3. Disposal of the Old Device



This symbol indicates that the relevant electrical product or battery should not be disposed of as general household waste in Europe. To ensure the correct waste treatment of the product and battery, please dispose them in accordance to any applicable local laws of requirement for disposal of electrical equipment or batteries. In so doing, you will help to conserve natural resources and improve standards of environmental protection in treatment and disposal of electrical waste (Waste Electrical and Electronic Equipment Directive).

## 4. CE Marking

Hereby, Commaxx B.V. Wiebachstraat 37, 6466 NG Kerkrade, The Netherlands, declares that this product is in compliance with the essential EU directive requirements.

The declaration of conformity may be consulted via [techdoc@commaxxgroup.com](mailto:techdoc@commaxxgroup.com)



## 5. Service

For more information and helpdesk support, please visit [www.lenco.com](http://www.lenco.com)

Commaxx B.V. Wiebachstraat 37, 6466 NG Kerkrade, The Netherlands.

## Nederlands

### LET OP:

Gebruik van bedieningen of afstellingen of uitvoer van procedures anders dan gespecificeerd in deze documentatie kan leiden tot blootstelling aan schadelijke straling.

### VOORZORGSMAATREGELEN VOOR GEBRUIK

#### ONTHOUD DE VOLGENDE INSTRUCTIES:

1. Bedek of blokkeer de ventilatieopeningen niet. Wanneer u het apparaat op een schap plaatst, dient u 5 cm (2") vrije ruimte rondom het gehele apparaat te behouden.
2. Installeer het product volgens de meegeleverde gebruikershandleiding.
3. Houd het apparaat uit de buurt van hittebronnen, zoals radiatoren, verwarmingen, kachels, kaarsen en andere hittegenererende producten of open vuur. Het apparaat kan alleen worden gebruikt in een gematigd klimaat. Extreem koude of warme omgevingen dienen te worden vermeden. Bedrijfstemperatuur tussen 0 °C en 35 °C.
4. Gebruik dit apparaat niet in de buurt van krachtige magnetische velden.
5. Elektrostatische ontlading kan normaal gebruik van dit apparaat verstoren. U hoeft het apparaat in dit geval slechts te resetten en opnieuw op te starten volgens de gebruikershandleiding. Wees voorzichtig tijdens bestandsoverdracht en gebruik het product in een omgeving zonder statische interferentie.
6. Waarschuwing! Steek nooit een voorwerp via de ventilatie- of andere openingen in het product. Er is hoogspanning in het product aanwezig en als u er een object insteekt, kan dat een elektrische schok veroorzaken en/of kortsluiting in de interne onderdelen. Mors om dezelfde reden geen water of vloeistof op het product.
7. Gebruik het toestel NIET in vochtige ruimtes, zoals badkamers, stomerige keukens of in de buurt van zwembaden.
8. Het apparaat mag niet worden blootgesteld aan druppels en spetters en zorg ervoor dat er geen met vloeistof gevulde voorwerpen, zoals vazen, op of in de buurt van het apparaat worden geplaatst.
9. Gebruik dit apparaat niet wanneer condensatie kan optreden. Wanneer het apparaat in een warme en vochtige kamer wordt gebruikt, dan kunnen er waterdruppeltjes of condensatie binnenin het apparaat worden gevormd waardoor het apparaat mogelijk niet meer goed werkt; houd en apparaat 1 of 2 uur op UIT staan voordat u de voeding weer inschakelt: het apparaat dient droog te zijn voordat deze stroom ontvangt.
10. Alhoewel dit apparaat met grote zorg gefabriceerd en verschillende keren geïnspecteerd is voordat het de fabriek verlaat, is het nog steeds mogelijk dat er problemen optreden, zoals met alle elektrische apparaten. Als u rook, een overmatige hitteontwikkeling of enig ander onverwacht verschijnsel, moet u onmiddellijk de stekker van het netsnoer uit het stopcontact halen.
11. Dit apparaat moet werken op een voedingsbron, zoals aangegeven op het specificatieplaatje. Als u twijfelt over het type voeding dat gebruikt wordt in uw huis, raadpleeg dan uw dealer of plaatselijk energiebedrijf.
12. Buiten bereik van dieren houden. Sommige dieren bijten graag op voedingskabels.
13. Gebruik een zacht, droog doekje om het apparaat te reinigen. Gebruik geen oplosmiddelen of op benzine gebaseerde vloeistoffen.  
U kunt een vochtig doekje met verdund schoonmaakmiddel gebruiken om hardnekkige vlekken te verwijderen. De leverancier is niet verantwoordelijk voor schade of verloren gegevens veroorzaakt door storing, misbruik, modificatie van het apparaat of batterijvervanging.
14. Onderbreek nooit de verbinding wanneer het apparaat formatteert of bestanden overdraagt. De gegevens kunnen anders corrupt of verloren raken.
15. Indien het apparaat een USB-afspeelfunctie heeft, moet de USB-geheugenstick rechtstreeks op het apparaat worden aangesloten. Gebruik geen USB-verlengkabel, omdat die kan leiden tot storingen met foutieve gegevens als gevolg.
17. Het nominale specificatielabel is te vinden op het paneel aan de onder- of achterkant van het apparaat.
18. Dit apparaat is niet bestemd voor gebruik door mensen (inclusief kinderen) met fysieke, zintuiglijke of geestelijke gebreken of gebrek aan kennis en ervaring, tenzij zij onder toezicht staan of instructies hebben over het juiste gebruik van het apparaat hebben gekregen van de persoon die verantwoordelijk is voor hun veiligheid.
19. Dit product is alleen voor niet-professioneel gebruik bedoeld en niet voor commercieel of industrieel gebruik.
20. Verzeker u ervan dat het apparaat in een stabiele positie staat opgesteld. Beschadigingen veroorzaakt door het gebruik van dit apparaat in een onstabiele positie, trillingen of schokken of door het niet opvolgen van andere waarschuwingen of voorzorgsmaatregelen beschreven in deze gebruikshandleiding worden niet gedekt door de garantie.
21. Verwijder nooit de behuizing van dit apparaat.
22. Plaats dit apparaat nooit op andere elektrische apparatuur.
23. Geef kinderen geen gelegenheid in aanraking met plastic zakken te komen.
24. Gebruik uitsluitend uitbreidingen/accessoires gespecificeerd door de fabrikant.
25. Laat alle reparaties over aan gekwalificeerd onderhoudspersoneel. Onderhoud is vereist als het apparaat hoe dan ook is beschadigd, zoals bijvoorbeeld het netsnoer of de stekker, wanneer er vloeistof of een voorwerp in het apparaat is terechtgekomen, wanneer het apparaat is blootgesteld aan regen of vocht, als het niet normaal werkt of is gevallen.
26. Langdurige blootstelling aan harde geluiden van persoonlijke muzikspelers kan leiden tot tijdelijk of permanent gehoorverlies.
27. Als het product wordt geleverd met voedingskabel of AC-stroomadapter:

- Als er problemen optreden, koppel de wisselstroomvoedingskaart dan los en laat reparaties over aan bevoegd personeel.

- Nooit op de stroomadapter stappen of deze indrukken. Wees voornamelijk voorzichtig in de buurt van de stekkers en het punt waar de kabel uit het apparaat komt. Plaats geen zware voorwerpen op de stroomadapter, om beschadiging ervan te voorkomen. Houd het gehele apparaat buiten bereik van kinderen! Wanneer kinderen met de voedingskabel spelen, kunnen zij ernstig letsel oplopen.
  - Haal de stekker uit het stopcontact tijdens onweer of wanneer u deze langere tijd niet gebruikt.
  - Het stopcontact moet in de buurt van de apparatuur zijn geïnstalleerd en eenvoudig te bereiken zijn.
  - Overbelast stopcontacten of verlengsnoeren niet. Overbelasting kan brand of een elektrische schok veroorzaken.
  - Apparaten met een Klasse 1 structuur dienen te worden aangesloten op een stopcontact met een beschermende aardverbinding.
  - Apparaten met een Klasse 2 structuur vereisen geen aardverbinding.
  - Houd altijd de stekker vast wanneer u deze uit het stopcontact trekt. Trek nooit aan de voedingskabel. Dit kan tot een kortsluiting leiden.
  - Gebruik nooit een beschadigde voedingskabel of stekker of een los stopcontact. Dit vormt namelijk een risico op brand of elektrische schokken.
28. Indien het product knoopcelbatterijen bevat of wordt geleverd met een afstandsbediening die knoopcelbatterijen bevat:
- Waarschuwing:
- "Batterij niet inslikken, chemisch brandgevaar" of gelijkwaardige werking.
  - [De afstandsbediening meegeleverd met] Dit product bevat een munt-/knoopcelbatterij. Als de batterij wordt ingeslikt, kan deze in slechts 2 uur ernstige interne brandwonden veroorzaken en tot de dood leiden.
  - Houd nieuwe en gebruikte batterijen buiten bereik van kinderen.
  - Als de batterijhouder niet goed kan worden gesloten, dient u het product niet meer te gebruiken en buiten bereik van kinderen te houden.
  - Als u denkt dat batterijen zijn ingeslikt of binnenin een willekeurig lichaamsdeel terecht zijn gekomen, dient u onmiddellijk medische hulp te zoeken.
29. Waarschuwing m.b.t. het gebruik van batterijen:
- Als de batterij onjuist wordt geplaatst, bestaat er explosiegevaar. Vervang de batterij alleen door een zelfde of vergelijkbare soort batterij
  - Stel de batterij niet bloot aan extreem hoge of lage temperaturen of een lage luchtdruk op grote hoogte tijdens gebruik, opslag of transport.
  - Vervanging van een batterij door een incorrect type kan leiden tot een ontploffing of de lekkage van ontvlambare vloeistoffen of gas.
  - Verwijdering van een batterij in vuur of een hete oven of het mechanisch verpletteren of snijden van een batterij kan leiden tot een ontploffing.
  - Laat een batterij nooit achter in omgevingen met extreem hoge temperaturen, anders kan dit leiden tot een ontploffing of de lekkage van ontvlambare vloeistoffen of gas.
  - Stel een batterij nooit bloot aan een extreem lage luchtdruk, anders kan dit leiden tot een ontploffing of de lekkage van ontvlambare vloeistoffen of gas.
  - Aandacht voor het milieu is nodig bij het verwijderen van de batterijen.

#### INSTALLATIE

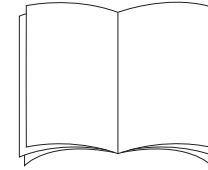
- Pak alle onderdelen uit en verwijder de beschermende materialen.
- Sluit het apparaat niet aan op het stopcontact, voordat u de netspanning hebt gecontroleerd en voordat alle andere aansluitingen zijn gemaakt.

## Accessoires

### ● Afstandsbediening



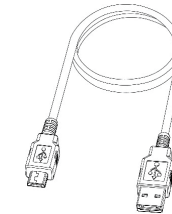
### ● Handleiding



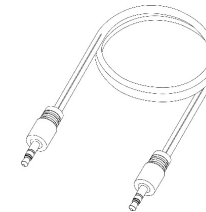
### ● Voedingsadapter



### ● USB-oplaadkabel

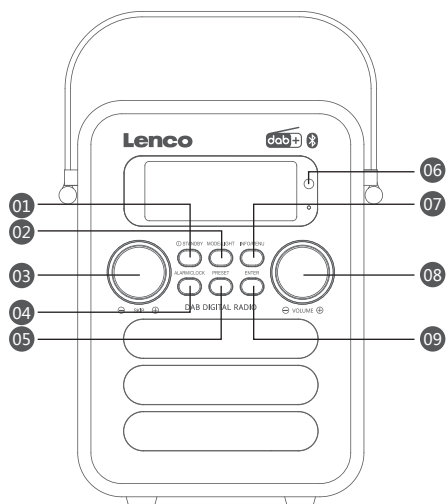


### ● Aux-kabel





## PRODUCTOVERZICHT



### 1. STANDBY

In alle modi:

- Kort indrukken om naar stand-by te gaan.
- Lang indrukken om in of uit te schakelen.

Als het alarm afgaat: Kort indrukken om het alarm te annuleren en uit te schakelen of naar stand-by te gaan.

### 2. MODUS/VERLICHTING

Kort indrukken: De modus wijzigen in DAB/FM/AUX/BLUETOOTH/USB/SD

Lang indrukken: De helderheid van het display wijzigen (laag/gemiddeld/hog)

### 3. VORIGE/VOLGENDE

In DAB-modus: Naar links/rechts draaien om door de zenderlijst te bladeren. Naar links/rechts draaien en ingedrukt houden om snel door de zenderlijst te bladeren.

In FM-modus: Naar links/rechts draaien voor fijnafstemming. Naar links/rechts draaien en ingedrukt houden om automatisch te scannen naar de volgende zender.

In menu-modus: Naar links/rechts draaien om door de menu-opties te bladeren.

In BLUETOOTH/USB/SD-modus: Naar links/rechts draaien om het volgende/vorige nummer af te spelen.

### 4. ALARM/KLOK

In alle modi: Kort indrukken om Alarm 1, 2, 3 of 4 in te stellen.

### 5. PRESET

In DAB/FM-modus: Kort indrukken om de lijst met voorkeurszenders weer te geven. Lang indrukken om de huidige zender als voorkeurszender op te slaan.

In USB/SD-modus: Kort indrukken om één afspelen/willekeurig afspelen/alles afspelen te selecteren.

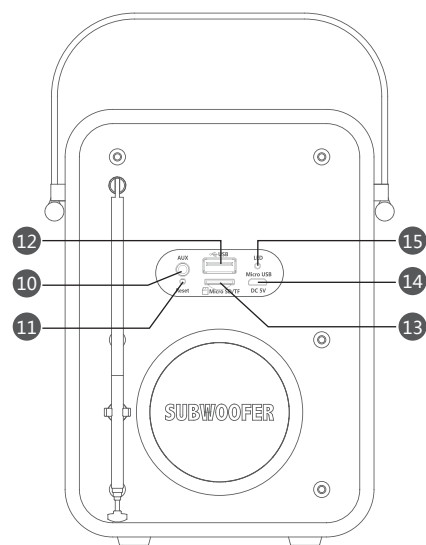
### 6. Ontvanger infraroodafstandsbediening

### 7. INFORMATIE/MENU

Meerdere malen korte indrukken om verschillende informatie weer te geven.

Lang indrukken om het instellingenmenu te openen.

Nogmaals kort indrukken om het actieve menu af te sluiten.



### 8. Volume +/-

Naar links/rechts draaien om het volume te verhogen/verlagen.

Kort indrukken om het VOLUME in of uit te schakelen.

### 9. ENTER/AUTOMATISCH SCANNEN

In menu-modus: Kort indrukken om huidige selectie te bevestigen.

In USB/SD-kaartmodus: Kort indrukken voor afspelen/pauzeren.

BT-modus: Kort indrukken voor afspelen/pauzeren.

DAB-modus: Ingedrukt houden om automatische scan uit te voeren.

FM-modus: Kort indrukken om te scannen tot de volgende zender gevonden is. Lang indrukken om automatische scan uit te voeren en gevonden zenders als voorkeurszenders op te slaan.

### 10. AUX

### 11. Reset

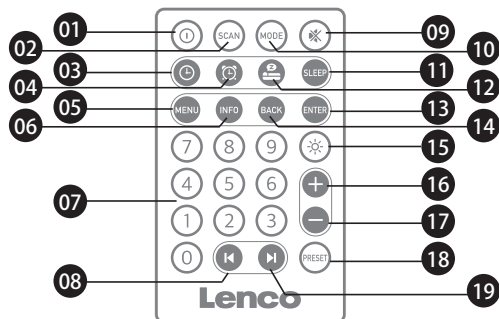
### 12. USB

### 13. Micro SD/TF

### 14. MicroUSB

### 15. LED

## Overzicht van de afstandsbediening



1. De stand-by-toets kort indrukken: Functiemodus/stand-by openen.
2. DAB/FM-modus: Kort indrukken om naar zenders te zoeken.
3. Klokinstel-toets: Kort indrukken om de klokinstellingen te openen.
4. Alarm-toets: Kort indrukken om de alarminstellingen te openen.
5. MENU-toets: Kort indrukken om de menu-instellingen te openen.
6. INFORMATIE-toets: Kort indrukken om diverse informatie weer te geven.
7. Cijfer-toetsen: Gebruik de toetsen 0-9 om een zender of nummer te selecteren.
8. Vorige DAB-modus: Kort indrukken om de vorige zender te selecteren.  
Ingedrukt houden om achteruit te spoelen.  
FM-modus: Kort indrukken om achteruit fijn af te stemmen.  
Ingedrukt houden om automatisch achteruit te zoeken.
- Menu-modus: Kort indrukken om achteruit te bladeren.
9. Demp-toets Luidspreker dempen/inschakelen.
10. MODUS-toets: DAB/FM/BLUETOOTH/USB- of TF/SD-modus selecteren.
11. In alle modi, kort indrukken om de SLAAP-functie in te stellen: UIT/15/30/45/60/75/90/120 minuten.
12. Sluimer-toets: Wanneer het alarm afgaat kort indrukken om de sluimerfunctie te activeren.  
Bij geactiveerde sluimerfunctie kort indrukken om een andere sluimertijd te selecteren.
13. ENTER-toets:  
DAB- en FM-modus: OK-functie.  
BT-modus: Afspelen/pauzeren-functie  
In menu-modus: Huidige selectie bevestigen.
14. TERUG-toets: Kort drukken om een stap terug te gaan.
15. Helderheid-toets: Toets om de helderheid van het display aan te passen. Kort indrukken om 3 helderheidsniveaus te selecteren.
16. Volume verhogen-toets: Verhoog het volume
17. Volume verlagen-toets: Verlaag het volume
18. VOORKEUR-toets.
19. Volgende-toets.

## Uw radio gebruiken

### In-/uitschakelen met de DAB-modus voor de eerste keer:

Wanneer u de PDR-051 gebruikt moet u de antenne volledig uittrekken voor het beste FM/DAB-radiosignaal.

Druk kort op **STANDBY** om de radio in te schakelen en automatisch de DAB-modus te openen. Als dit de eerste keer is dat de radio de DAB-modus opent, zal hij automatisch naar DAB-zenders zoeken die in uw omgeving beschikbaar zijn en deze opslaan.

De radio zal automatisch de tijd en datum synchroniseren met het gevonden DAB-signaal. Nadat het zoeken is voltooid, draait u **VORIGE/VOLGENDE** om een zender te selecteren en drukt u op **ENTER** om te bevestigen. De geselecteerde zender begint te spelen.

### FM-radio

Druk op **MODE** om over te schakelen naar de FM-modus. In de FM-modus houdt u **ENTER** ingedrukt om de automatische scan te starten om zenders op te zoeken en op te slaan. Als het signaal moet worden bijgesteld, kunt u **SKIP +/-** draaien om de frequentie handmatig bij te stellen.

U kunt uw favoriete zender als voorkeurszender opslaan door **PRESET** lang in te drukken. Draai **SKIP** om het voorkeursnummer voor de zender te selecteren en druk vervolgens op **ENTER** om het op de gekozen plaats op te slaan. Om een eerder opgeslagen voorkeurszender te selecteren, drukt u kort op **PRESET** om de voorkeurslijst weer te geven, draait u vervolgens **SKIP** om de frequentie van de zender te selecteren en drukt u op **ENTER** om uw keuze te bevestigen.

### Stand-by:

Druk kort op **STANDBY** om de stand-by-modus te openen terwijl u luistert. In de stand-by-modus wordt op het display alleen de tijd/datum en de ingestelde (actieve) alarmen weergegeven.

Druk in stand-by-modus op **INFO/MENU** om de tijd, datum, alarm en andere instellingen in te stellen.

Druk nogmaals kort op **STANDBY** om het apparaat weer in te schakelen.

Druk lang op **STANDBY** om de PDR-051 volledig uit te schakelen. Er wordt geen tijd, datum of alarm weergegeven en de actieve alarmen worden niet geactiveerd.

**OPMERKING: Gebruik de stand-by-modus alleen wanneer de PDR-051 is aangesloten op de voedingsadapter.**

### Opladen:

De PDR-051 kan worden opgeladen zowel deze ingeschakeld als uitgeschakeld is. Het wordt aanbevolen de meegeleverde oplader te gebruiken (uitvoer: 5 V DC, 600 mA) gebruik de meegeleverde microUSB-kabel om op te laden. De ledindicator op de achterkant brandt rood tijdens het opladen en brandt groen als de accu volledig opgeladen is.

### Menu-instellingen

In de verschillende afspelmodi druk u lang op **INFO/MENU** om de menu-instellingen van de actieve modus te openen. Draai **SKIP** om een submenu-onderdeel te markeren en druk op **ENTER** om het submenu te openen. Als het menu slechts uit één submenu bestaat, drukt u op **ENTER** om de gemarkeerde optie te bevestigen. Om terug te keren naar het vorige menu drukt u op **INFO/MENU**.

### De datum en tijd handmatig instellen

Als de PDR-051 geen signaal kan vinden om de tijd automatisch te synchroniseren, kunt u de tijd en datum handmatig instellen.

Hiervoor houdt u **INFO/MENU** ingedrukt of houdt u **ALARM/CLOCK** ingedrukt, draait u **SKIP** om de tijd/datum te selecteren en drukt u op **ENTER**. Draai **SKIP** om de datum aan te passen. Druk op **ENTER** om te bevestigen en herhaal dit om de maand, het jaar, het uur en de minuten in te stellen.

Nadat u de datum en tijd hebt ingesteld, keert u automatisch terug naar het vorige menu. De tijd/datum die u hebt ingesteld

wordt automatisch opgeslagen. Druk op **INFO/MENU** om stap voor stap terug te keren of druk lang op **INFO/MENU** om het menu af te sluiten.

#### Opties automatische update/uurformaat instellen/datumformaat instellen

**Set Time/Date (Instellen tijd en datum):** Set Hour system (Uurformaat instellen), Set Date Format (Datumformaat instellen), Auto update (Automatische update)

**Set Time/Date (Tijd/datum instellen).** 01-01-2021 0.0=00

**Auto Update (Automatische update)** Selecteer Update from Radio (Update van radio) of No Update (Geen update)

**Set Hour System (Uurformaat instellen):** Selecteer 12 Hour (12 uur) of 24 Hour (24 uur).

**Set Date Format (Datumformaat instellen):** Selecteer dd-mm-yyyy (dd-mm-jjjj), mm-dd-yyyy (mm-dd-jjjj) of yyyy-mm-dd (jjjj-mm-dd-)

#### Alarminstellingen

Om het alarm in te stellen drukt u kort op **CLOCK/ALARM** om de alarminstellingen te openen. Draai **SKIP** om Alarm 1, 2, 3 of 4 te selecteren. Nadat u het gewenste alarm hebt geselecteerd drukt u kort op **ENTER** en draait u **SKIP** om de volgende instellingen te selecteren: Time (Tijd)/Source (Bron)/Repeat (Herhalen) /Volume (Volume) /ON/OFF (Aan/uit).

**Time (Tijd):** Selecteer de tijd door SKIP te draaien en druk vervolgens op **ENTER** om te bevestigen

**Alarm time (Alarmtijd):** 15/30/45/60/75/90/120 minuten.

**Source (Bron):** FM, DAB, Buzzer (Zoemer), SD en USB.

**Repeat (Herhalen):** Once (Eenmalig)/Daily (Dagelijks)/Weekends (Weekenden)/Workday (Werkdagen).

**Volume (Volume):** Stel het volume in door **SKIP** naar links/rechts te draaien.

**Alarm ON/OFF (Alarm aan/uit):** On (Aan)/Off (Uit). Druk op **ENTER** om te bevestigen. Na het instellen drukt u op **INFO/MENU** om de alarminstellingen af te sluiten. Wanneer het alarm afgaat, neemt het geluid geleidelijk toe tot het ingestelde volume. Druk kort op **ENTER** om de tijd voor de sluimerfunctie in te stellen en de sluimerfunctie te activeren. Druk kort op **STANDBY** om het alarm uit te schakelen wanneer het afgaat.

Waarschuwing: We adviseren om de ALARM niet in batterijmodus te gebruiken om te voorkomen dat de batterij leeg zou kunnen raken tijdens het wakker worden! Het is beter om de ALARM te gebruiken wanneer het apparaat op de externe voeding is aangesloten via een USB-kabel.

#### DAB-functie

Als de PDR-051 voor het eerst de DAB-modus opent zoekt het automatisch naar zenders die in uw omgeving beschikbaar zijn. Als de radio al eerder naar zenders heeft gezocht, houdt u de **ENTER** ingedrukt om opnieuw automatisch naar zenders te zoeken

Nadat het zoeken naar zenders is voltooid, draait u **SKIP** om door de zenders in de zenderlijst te bladeren, drukt u op **ENTER** om de zender te selecteren draait u **VOLUME** om het gewenste volume in te stellen.

Druk kort op **VOLUME** om het geluid in of uit te schakelen.

Druk kort op **INFO/MENU** om de huidige zender, tekstinformatie, signaalsterkte, programmatype, afleveringsnaam, kanaalnummer/-frequentie, signaalfout, bitrate, tijd en datum enz. weer te geven.

#### Een DAB-zender als voorkeurszender opslaan

Houd **PRESET** ingedrukt om de instellingen voor het opslaan van voorkeurszenders te openen. Draai **SKIP** om de voorkeurspositie te selecteren. Draai **SKIP** en druk op **ENTER** om de zender op de huidige positie op te slaan. Druk kort op **PRESET** om de instellingen voor het oproepen van zenders te openen. Draai **SKIP** om een opgeslagen zender te selecteren en druk op **ENTER** om te bevestigen en af te spelen.

U kunt ook de 0-9 cijfertoetsen op de afstandsbediening gebruiken om de voorkeurszender te die u wilt afspelen te selecteren.

*Opmerking: Er zijn in totaal 40 voorkeurszenderposities beschikbaar.*

#### BELANGRIJKE INFORMATIE OMTREND DAB+ ONTVANGST

##### DAB+ radio ontvangst werkt anders dan FM radio ontvangst.

- Bij FM kunt u een zwakke zender vaak nog wel enigszins ontvangen, dan wel waarschijnlijk met een ruisend of krakend geluid.
- DAB+ ontvangst werkt digitaal en als er ter plaatse niet voldoende signaal is hoort u niets. Geen ruis of kraken zoals bij FM dus. Dit ligt niet aan de radio, maar aan het feit dat er te weinig DAB+ signaal is op die plaats.
- **DAB+ regel is: geen ontvangst = geen geluid.**

##### Wat kunt u doen als u niet direct DAB+ ontvangst hebt.

- Richt altijd eerst de antenne recht verticaal omhoog.
- Zet de radio niet te dicht bij potentiële storingsbronnen zoals, acculaders, draaiende machines, computers, grote metalen vlakken etc.
- Verplaats de radio enkele meters.
- Zet de radio aan en activeer in het DAB+ menu een volledige scan.
- In het display van de radio ziet u het verloop van de scan en het aantal zenders die worden gevonden op de plaats waar de radio op dat moment staat.

##### Belangrijk

- Bij DAB+ ontvangst kan er een heel groot verschil in ontvangstniveau zijn tussen de ene locatie en "een paar meter verderop". Verplaats de radio in geval van een plaatselijk zwak DAB+ signaal om een sterker signaal te kunnen ontvangen.
- Als u de radio meeneemt op reis of naar een andere locatie voer dan ter plekke opnieuw een volledige scan uit. Zo ziet u welke DAB+ zenders aldaar te ontvangen zijn.

##### FM-functie

Schakel de PDR-051 in en schakel over naar FM-modus.

Druk lang op **ENTER** om de automatische scan te starten om zenders op te zoeken en op te slaan. Draai **SKIP** om de opgeslagen zenders te selecteren en druk op **ENTER** om de gewenste zender af te spelen

Druk kort op **INFO/MENU** om de huidige zender, tekstinformatie, programmatype, setnaam, kanaalinformatie, EQ-type, accuniveau, tijd en datum weer te geven.

##### Een FM-zender als voorkeurszender opslaan

Houd **PRESET** ingedrukt om de instellingen voor het opslaan van voorkeurszenders te openen. Draai **SKIP** om de voorkeurspositie te selecteren. Draai **SKIP** en druk op **ENTER** om de zender op de huidige positie op te slaan. Druk kort op **PRESET** om de instellingen voor het oproepen van zenders te openen. Draai **SKIP** om een opgeslagen zender te selecteren en druk op **ENTER** om te bevestigen en af te spelen.

U kunt ook de 0-9 cijfertoetsen op de afstandsbediening gebruiken om de voorkeurszender te die u wilt afspelen te selecteren.

*Opmerking: Er zijn in totaal 40 voorkeurszenderposities beschikbaar.*

### AUX-modus

U kunt elk audioapparaat aansluiten via de 3,5 mm AUX in-connector middels de 3,5 mm audiokabel.

### USB/SD-kaart afspelen

Schakel de PDR-051 in en druk enkele malen op **MODE** totdat USB (of SD) op het display verschijnt. Daarna kunt u muziek afspelen door een USB-stick of microSD-kaart met MP3, WAV, FLAC, WMA of APE te plaatsen.

Draai **VOLUME** om het volume aan te passen. Druk kort op **VOLUME** om het geluid in en uit te schakelen.

Draai **SKIP** om naar het vorige of volgende nummer te gaan. Houd **SKIP** ingedrukt om het nummer terug en vooruit te spoelen. Druk kort op **ENTER** om af te spelen of te pauzeren.

U kunt ook de 0-9 cijfertoetsen op de afstandsbediening gebruiken om nummers te selecteren om af te spelen.

Tijdens het afspelen drukt u kort op **INFO/MENU** om de informatie over het huidige afgespeelde nummer te bekijken (naam van het nummer, huidige nummer/totaal aantal nummer, huidige afspeeltijd/totale tijd nummer, datum, enz.).

### Bluetooth-modus

1. Druk enkele malen kort op **MODE** totdat "BT" op het display verschijnt. Na een paar seconden verschijnt de tekst "Disconnected" (Verbroken) als er nog geen apparaat gekoppeld was. Het apparaat is gereed voor bluetooth-verbindingen.
2. Om uw bluetooth-apparaat te verbinden, opent u eerst de bluetooth-configuratie op uw smartphone of een ander bluetooth-apparaat. Vervolgens scant u op het apparaat "Lenco PDR-051" en klikt u er op om er verbinding mee maken. De bluetooth-verbinding wordt tot stand gebracht en uw smartphone of ander bluetooth-apparaat kan worden gebruikt met de Lenco PDR-051.
3. Nu kunt u de app van uw favoriete streamingdienst gebruiken, de muziekapp op uw smartphone of ander gekoppeld bluetooth-apparaat gebruiken om muziek af te spelen via de luidsprekers van de Lenco PDR-051.
4. Druk kort op **ENTER** om te pauzeren/af te spelen. Draai **SKIP** om het vorige of volgende nummer af te spelen.
5. Draai **VOLUME** om het volume te verhogen of te verlagen. **(Let op: in de meeste gevallen moet u eerst het volume van de gekoppelde smartphone of ander gekoppeld bluetooth-apparaat op maximaal zetten)**

### Bluetooth hands-free oproepen

Als u een oproep ontvangt terwijl bluetooth-muziek wordt afgespeeld, stopt de muziek. Er klinkt een belsignaal en er verschijnt een bericht op het display. Druk kort op **SKIP** of **ENTER** om de oproep te beantwoorden. Op het display verschijnt "HFP RUN (HFP ACTIEF)".

U kunt spreken via de interne microfoon aan de voorkant van de PDR-051.

Om het gesprek te beëindigen, drukt u kort op **SKIP** of **ENTER**.

Houd **SKIP** of **ENTER** ingedrukt om een inkomende oproep te weigeren.

### OPMERKING:

**Dit product heeft een Bluetooth-ontvangstfunctie, u kunt er geen Bluetooth-geluid mee verzenden: dit betekent dat u draadloos een bluetooth-geluidssignaal kunt ontvangen van een externe bron zoals een smartphone.**

Voedingsadapter (alleen voor EU)

Gebruik uitsluitend het voedingsapparaat dat in de gebruiksaanwijzing staat vermeld

Informatie	Waarde en precisie
Naam of handelsmerk van de fabrikant, handelsregistratie en adres	Shenzhen Fushigang Technology Co., Ltd
Modelaanduiding	AS0601A-0500600EUU
Ingangsspanning	100V-240V AC
Ingangsfrequentie AC	50Hz/60Hz
Uitgangsspanning	DC 5,0V +/-5%
Uitgangsstroom	0,6A
Uitgang	3,0W
Gemiddelde actieve efficiëntie	>=69,64%
Efficiëntie bij lage belasting (10%)	>=61,05%
Verbruik onbelast vermogen	<=0,1W

### Productspecificaties

- Maximaal uitgangsvermogen: 6 W
- S/R-verhouding: ≥70 dBA
- Vervorming: ≤1%
- Frequentiebereik: 100 HZ tot 18 KHZ
- Audio-ingangsmodus: DAB, FM, BT, USB, TF, AUX
- Driveereenheid: 52 mm intern magnetisme (4 Ω/2x 3W)
- Accu: 18650 3,7 V/1800 mAh lithium-ion-accu
- Maximale ingangsgevoeligheid USB/microSD: 0 dBm
- Ingangsgevoeligheid DAB-ontvangst: -95 dBm
- Ingangsgevoeligheid FM-ontvangst: -105 dBm
- Gebruikstemperatuur: -10 °C tot 50 °C
- Opslagtemperatuur: -20 °C tot 70 °C
- Afmetingen van het apparaat: 110x145x80 mm
- Netto gewicht: Ca. 760 g.

### 1. Garantie

Lenco biedt service en garantie aan overeenkomstig met de Europese wetgeving. Dit houdt in dat u, in het geval van reparaties (zowel tijdens als na de garantieperiode), uw lokale handelaar moet contacteren.

Belangrijke opmerking: Het is niet mogelijk om producten die moeten worden gerepareerd rechtstreeks naar Lenco te sturen.

Belangrijke opmerking: de garantie verloopt als een officieel servicecenter het apparaat op wat voor manier dan ook heeft geopend, of er toegang toe heeft gekregen.

Het apparaat is niet geschikt voor professioneel gebruik. In het geval van professioneel gebruik worden alle garantieverplichtingen van de fabrikant nietig verklaard.

## 2. Disclaimer

Er worden regelmatig updates in de firmware en/of hardwarecomponenten gemaakt. Daardoor kunnen gedeelten van de instructie, de specificaties en afbeeldingen in deze documentatie enigszins verschillen van uw eigen situatie. Alle onderwerpen die staan beschreven in deze handleiding zijn bedoeld als illustratie en zijn niet van toepassing op specifieke situaties. Aan de beschrijving in dit document kunnen geen rechten worden ontleend.

## 3. Afvoer van het oude apparaat



Dit symbool geeft aan dat het betreffende elektrische product of de accu/batterij niet mag worden verwijderd als algemeen huishoudelijk afval in Europa. Zorg voor een juiste afvalverwerking door het product en de accu/batterij in overeenstemming met alle van toepassing zijnde lokale wetten voor het verwijderen van elektrische apparatuur of accu's/batterijen te verwijderen. Als u dit doet, helpt u de natuurlijke bronnen te behouden en de standaard van milieubescherming te verbeteren bij de behandeling en verwijdering van elektrisch afval (Afgedankte Elektrische en Elektronische Apparatuur).

## 4. CE-markering

Commaxx B.V. Wiebachstraat 37, 6466 NG Kerkrade, Nederland, verklaart hierbij dat dit product voldoet aan de vereisten van de essentiële EU-richtlijnen.

De verklaring van conformiteit kan worden aangevraagd via [techdoc@commaxxgroup.com](mailto:techdoc@commaxxgroup.com)



## 5. Service

Bezoek voor meer informatie en helpdeskondersteuning [www.lenco.com](http://www.lenco.com)

Commaxx B.V. Wiebachstraat 37, 6466 NG Kerkrade, Nederland.

## Deutsch

### ACHTUNG:

Eine andere als die hier beschriebene Benutzung der Bedienelemente oder Einstellung oder Durchführung von Abläufen kann zu einem gefährlicher Strahlung ausgesetzt werden führen.

### VORSICHTSMASSNAHMEN VOR DER BENUTZUNG

#### BEFOLGEN SIE IMMER FOLGENDE ANWEISUNGEN:

1. Blockieren oder bedecken Sie keine Lüftungsöffnungen. Wenn Sie das Gerät auf ein Regal stellen, lassen Sie um das gesamte Gerät 5 cm (2") freien Platz.
2. Stellen Sie das Gerät entsprechend den Anweisungen der mitgelieferten Bedienungsanleitung auf.
3. Halten Sie das Gerät von Hitzequellen wie Radiatoren, Heizern, Öfen, Kerzen oder anderen hitzezeugenden Produkten oder offenen Flammen fern. Das Gerät darf nur bei gemäßtem Klima verwendet werden. Sehr kalte oder heiße Umgebungen sind zu vermeiden. Die Betriebstemperatur liegt zwischen 0 °C und 35 °C.
4. Meiden Sie bei der Benutzung des Produkts die Nähe starker Magnetfelder.
5. Elektrostatische Entladungen können die normale Benutzung dieses Geräts stören. Sollte dies geschehen, führen Sie einfach einen Reset aus und starten Sie dann das Gerät entsprechend den Anweisungen dieser Bedienungsanleitung neu. Gehen Sie besonders bei Datenübertragungen mit dem Gerät vorsichtig um und führen Sie diese nur in einer antielektrostatischen Umgebung aus.
6. Warnung! Niemals Gegenstände durch die Lüftungsschlitze oder Öffnungen in das Gerät stecken. In diesem Gerät fließt Hochspannung und das Hineinstecken von Gegenständen kann zu elektrischem Schock und/oder Kurzschluss interner elektrischer Bauteile führen. Spritzen/Gießen Sie aus dem gleichen Grund kein Wasser oder Flüssigkeiten auf das Gerät.
7. Benutzen Sie das Gerät nicht in nasser oder feuchter Umgebung wie Bad, Dampfküche oder in der Nähe von Schwimmbecken.
8. Das Gerät darf weder Tropf- noch Spritzwasser ausgesetzt werden und es dürfen keine mit Flüssigkeit gefüllten Behälter wie z. B. Vasen auf das Gerät oder in der Nähe des Gerätes gestellt werden.
9. Benutzen Sie das Gerät nicht, wenn Kondensation entstehen kann. Wenn Sie das Gerät in einem warmen feuchten Raum mit Dampf benutzen, dann können Wassertropfen oder Kondensation in das Gerät eindringen und u. U. zu Fehlfunktionen des Geräts führen. Schalten Sie in diesem Fall das Gerät für 1 – 2 Stunden aus, bevor Sie es erneut einschalten, wobei Sie darauf achten sollten, dass das Gerät vollständig getrocknet ist, bevor Sie es wieder einschalten.
10. Obwohl dieses Gerät unter größter Sorgfalt hergestellt und vor Auslieferung mehrmals überprüft wurde, können trotzdem wie bei jedem anderen elektrischen Gerät auch Probleme auftauchen. Trennen Sie das Gerät bei Rauchentwicklung, starker Hitzeentwicklung oder jeder anderen unnatürlichen Erscheinung sofort vom Stromnetz.
11. Dieses Gerät ist durch eine Stromquelle wie auf dem Typenschild angegeben zu betreiben. Halten Sie bei Unsicherheiten über die Art Ihrer Stromversorgung in Ihrer Wohnung Rücksprache mit Ihrem Händler oder Ihrer Stromzuliefererfirma.
12. Halten Sie das Gerät von Haustieren fern. Einige Nagetiere lieben es, an Netzkabeln zu nagen.
13. Benutzen Sie für die Reinigung ein weiches und trockenes Tuch. Benutzen Sie niemals Lösungsmittel oder Flüssigkeiten auf Ölbasis.  
Benutzen Sie zum Entfernen hartnäckiger Flecken ein feuchtes Tuch mit mildem Reinigungsmittel.
14. Der Hersteller haftet nicht für Beschädigungen oder Datenverluste durch Fehlfunktion, Zweckentfremdung oder Modifikation des Geräts oder durch das Wechseln der Batterie.
15. Unterbrechen Sie die Verbindung nicht während einer Formatierung oder einer Datenübertragung. Bei Unterbrechung drohen Datenverlust und Datenbeschädigung.
16. Wenn das Gerät eine USB-Wiedergabefunktion besitzt, dann stecken Sie den USB-Stick direkt in das Gerät. Verwenden Sie kein USB-Verlängerungskabel, weil die erhöhte Störungsanfälligkeit zu Datenverlust führen kann.
17. Das Typenschild befindet sich an der Unter- oder Rückseite des Gerätes.
18. Dieses Gerät ist nicht zur Benutzung durch Personen (einschließlich Kinder) mit physischen, sensorischen oder mentalen Beeinträchtigungen oder ohne ausreichender Erfahrung vorgesehen, es sei denn, sie werden durch eine verantwortliche Person beaufsichtigt oder wurden in die ordnungsgemäße Bedienung des Gerätes durch eine für ihre Sicherheit verantwortliche Person eingewiesen.
19. Dieses Produkt ist nur für den nicht-professionellen Gebrauch und nicht für gewerbliche oder industrielle Zwecke bestimmt.
20. Stellen Sie sicher, dass das Gerät in einer stabilen Position aufgestellt ist. Schäden, die durch Verwendung dieses Produkts in einer instabilen Position, durch Vibrationen, Stöße oder Nichtbeachtung der anderen in diesem Handbuch enthaltenen Warnungen und Sicherheitsmaßnahmen entstehen, werden nicht durch die Garantie abgedeckt.
21. Entfernen Sie niemals das Gehäuse dieses Geräts.
22. Stellen Sie dieses Gerät niemals auf andere elektrische Geräte.
23. Halten Sie Kinder von den Plastiktüten fern.
24. Benutzen Sie nur vom Hersteller spezifizierte Erweiterungen/Zubehörteile.
25. Lassen Sie alle Wartungs-/Reparaturarbeiten von qualifiziertem Servicepersonal ausführen. Reparatur/Wartung wird notwendig, wenn das Gerät in irgendeiner Weise wie beispielsweise am Netzkabel oder am Netzstecker beschädigt wurde oder wenn Flüssigkeit in das Gerät gelangt ist bzw. Gegenstände in das Gerät gefallen sind, das Gerät Regen oder Feuchtigkeit ausgesetzt war, es heruntergefallen ist oder nicht ordnungsgemäß funktioniert.
26. Langes Hören lauter Töne aus einem Musikgerät kann zum zeitweiligen oder permanenten Hörverlust führen.

27. Wenn zum Lieferumfang des Produkts ein Netzkabel oder ein Netzadapter gehört:
- Wenn irgendwelche Probleme auftreten, dann trennen Sie das Gerät vom Stromnetz und setzen Sie sich anschließend mit einer qualifizierten Fachkraft in Verbindung.
  - Treten Sie nicht auf den Netzadapter und klemmen Sie ihn auch nicht ein. Seien Sie besonders im näheren Bereich des Netzsteckers und an der Stelle vorsichtig, an der das Netzkabel aus dem Gerät herausgeführt wird. Stellen Sie keine schweren Gegenstände auf den Netzadapter, weil er dadurch beschädigt werden kann. Halten Sie das gesamte Gerät außerhalb der Reichweite von Kindern! Durch Spielen mit dem Netzkabel können sie sich ernsthafte Verletzungen zuziehen.
  - Trennen Sie das Gerät während eines Gewitters oder bei längerer Nichtbenutzung vom Stromnetz.
  - Die Netzsteckdose muss sich in der Nähe des Geräts befinden und einfach zu erreichen sein.
  - Überlasten Sie Steckdosen und Verlängerungsleitungen nicht. Eine Überlastung kann zu Brandgefahr bzw. Stromschlag führen.
  - Geräte der Schutzklasse 1 müssen Sie an eine Netzsteckdose mit Schutzleiter anschließen.
  - Geräte der Schutzklasse 2 benötigen keinen Schutzleiteranschluss.
  - Halten Sie den Netzstecker in der Hand, wenn Sie ihn aus der Netzsteckdose ziehen. Ziehen Sie ihn nicht durch Zeren am Kabel heraus. Das kann zu einem Kurzschluss führen.
  - Verwenden Sie weder ein beschädigtes Netzkabel noch einen beschädigten Netzstecker oder eine lockere Steckdose. Missachtung kann zu Brand oder Stromschlag führen.
28. Wenn das Produkt mit einer Fernbedienung mit Batterien/Knopfzellen geliefert wird oder das Produkt eine derartige Fernbedienung umfasst:
- Warnung:
- Die Batterie nicht einnehmen – Verätzungsgefahr!
  - Die mit diesem Produkt mitgelieferte Fernbedienung enthält eine Knopfzelle. Das Verschlucken der Batterie kann innerhalb von nur 2 Stunden zu schwersten inneren Verbrennungen mit Todesfolge führen.
  - Halten Sie neue und gebrauchte Batterien von Kindern fern.
  - Falls sich das Batteriefach nicht richtig schließen lässt, dann benutzen Sie das Gerät nicht mehr und halten Sie es von Kindern fern.
  - Wenn Sie vermuten, dass Batterien verschluckt oder in eine Körperöffnung eingeführt worden sind, dann suchen Sie umgehend eine/-n Ärztin/Arzt auf.
29. Warnhinweise bzgl. der Verwendung von Batterien:
- Es besteht Explosionsgefahr, wenn die Batterien nicht ordnungsgemäß ersetzt werden. Tauschen Sie die Batterie nur gegen eine Batterie des gleichen Typs aus.
  - Die Batterie darf während der Benutzung, Aufbewahrung oder des Transports weder sehr hohen oder sehr niedrigen Temperaturen noch niedrigem Luftdruck in großen Höhenlagen ausgesetzt werden.
  - Die Ersetzung der Batterie mit einem falschen Batterietyp kann zum Explodieren der Batterie oder zum Entweichen von entflammbarem Gas oder Auslaufen von entflammbarer Flüssigkeit aus der Batterie führen.
  - Die Entsorgung der Batterie in Feuer oder einem heißen Ofen oder das mechanische Zerkleinern oder Zerteilen der Batterie kann zu Explosionen führen.
  - Das Verbleiben der Batterie in einer Umgebung mit sehr hohen Temperaturen kann zum Explodieren der Batterie oder zum Entweichen von entflammbarem Gas oder Auslaufen von entflammbarer Flüssigkeit aus der Batterie führen.
  - Eine einem sehr niedrigen Luftdruck ausgesetzte Batterie kann explodieren oder es kann aus einer einem sehr niedrigen Luftdruck ausgesetzten Batterie entflammbares Gas entweichen oder entflammbare Flüssigkeit auslaufen.
  - Legen Sie besonderes Augenmerk auf den ökologischen Aspekt der Batterieentsorgung.

#### AUFSTELLEN

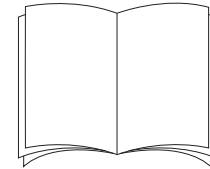
- Packen Sie alle Teile aus und entfernen Sie danach die Schutzmaterialien.
- Schließen Sie das Gerät nicht eher an das Stromnetz an, bevor Sie die Netzspannung überprüft haben und alle anderen notwendigen Verbindungen hergestellt sind.

## Zubehör

### • Fernbedienung



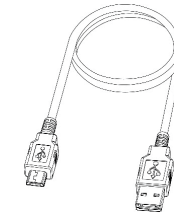
### • Bedienungsanleitung



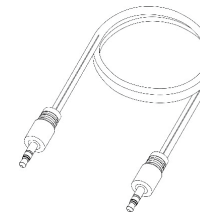
### • Netzadapter



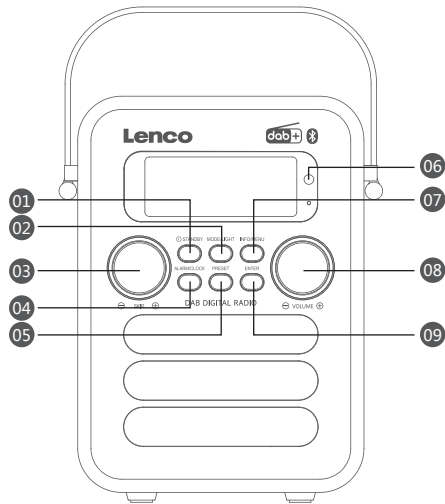
### • USB-Ladekabel



### • AUX-Kabel



## ANSICHT DES PRODUKTES



### 1. STANDBY

In allen Modi:  
 -Zum Versetzen in den Bereitschaftsmodus kurz drücken  
 -Zum Ein-/Ausschalten lange drücken  
 Bei ausgelöstem Alarm: Zum Abbrechen des Alarms und zum Abschalten oder Versetzen in den Bereitschaftsmodus kurz drücken

### 2. MODZS/LICHT

Kurz drücken: Modus zwischen DAB/UKW/AUX/BT/USB/SD umschalten  
 Lange drücken: Anzeigehelligkeit ändern (gering/mittel/hoch).

### 3. ÜBERSPRINGEN +/-:

Im DAB-Modus: Zum Navigieren durch die Senderliste nach links/rechts drehen. Zum schnellen Navigieren durch die Senderliste nach links/rechts drehen und halten.  
 Im UKW-Modus: Zur Feinabstimmung nach links/rechts drehen. Zur automatischen Suche nach dem nächsten Sender mit gutem Empfang nach links/rechts drehen und halten.  
 Im Menümodus: Zum Navigieren durch die Menüoptionen nach links/rechts drehen.  
 Im BT/USB/SD-Modus: Zum Wiedergeben des nächsten/vorherigen Titels nach links/rechts drehen.

### 4. UHR/ALARM

In allen Modi: Zum Einstellen von Alarm1, 2, 3 oder 4 kurz drücken.

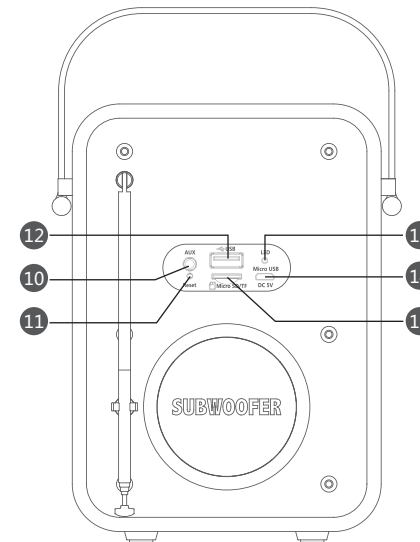
### 5. SPEICHERPLATZ

Im DAB/UKW-Modus: Zur Anzeige der Liste voreingestellter Sender kurz drücken. PRESET zum Speichern des aktuellen Radiosenders als Voreinstellung lange drücken.  
 Im USB/SD-Modus: Zur Auswahl von Einzelwiedergabe/Zufallswiedergabe/Komplettwiedergabe kurz drücken.

### 6. Infrarot-Fernbedienungs-Empfangsfenster

### 7. INFO/MENU

Zur Anzeige verschiedener Informationen mehrmals kurz drücken.  
 Zum Aufrufen des Einstellungsmenüs lange drücken. Zum Verlassen des aktiven Menüs erneut kurz drücken.



### 8. VOLUME +/-

Zum Erhöhen/Verringern der Lautstärke nach links/rechts drehen.  
 Zum De-/Aktivieren der Stummschaltung kurz auf VOLUME drücken.

### 9. EINGABE/AUTO-SUCHE

Im Menümodus: Zum Bestätigen der aktuellen Auswahl kurz drücken.  
 Im USB/SD-Kartenmodus: Zum Wiedergeben/Anhalten kurz drücken.  
 Im BT-Modus: Zum Wiedergeben/Anhalten kurz drücken.  
 Im DAB-Modus: Zum Starten der automatischen Suche gedrückt halten.  
 Im UKW-Modus: Zur Suche nach dem nächsten Radiosender kurz drücken. Zum Starten der automatischen Suche und Speichern der gefundenen Radiosender als Voreinstellungen lange drücken.

### 10. AUX

### 11. Rücksetzung

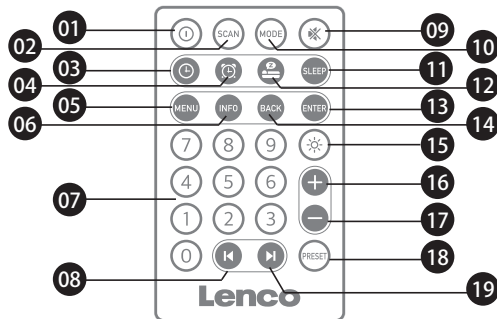
### 12. USB

### 13. microSD

### 14. Mikro-USB

### 15. LED

## Ansicht der Fernbedienung



1. Standby-Taste kurz drücken: Betriebs-/Bereitschaftsmodus aufrufen.
2. Im DAB/UKW-Modus: Zur Suche nach Radiosendern kurz drücken.
3. Zeiteinstelltaste: Zum Aufrufen des Zeiteinstellbildschirms kurz drücken.
4. Alarmtaste: Zum Aufrufen des Alarmeinstellbildschirms kurz drücken.
5. MENU-Taste: Zum Aufrufen der Menüeinstellungen kurz drücken.
6. INFO-Taste: Zur Anzeige verschiedener Informationen kurz drücken.
7. Zifferntasten: Tasten 0 bis 9 zur Auswahl eines Radiosenders oder Liedes kombinieren.
8. Vorheriger  
Im DAB-Modus: Zur Auswahl des vorherigen Senders kurz drücken.  
Zum Aktivieren des Schnellrücklaufs gedrückt halten.  
Im UKW-Modus: Zur Rückwärtseinstellung kurz drücken.  
Zur automatischen Rückwärtssuche gedrückt halten.  
Im Menümodus: Zur Rückwärtsnavigation kurz drücken.
9. Stumm-Taste: Zum De/Aktivieren der Lautsprecher-Stummschaltung.
10. Modustaste: Zur Auswahl des Modus DAB/UKW/BT/USB/microSD
11. In allen Modi: Zum Einstellen der Schlaffunktion kurz drücken: Aus/15/30/45/60/75/90/120 Minuten
12. Schlummern-Taste: Bei Ertönen des Alarms zum Aufrufen der Schlummerfunktion kurz drücken.  
Bei aktiver Schlummerfunktion zur Auswahl einer anderen Schlummerzeit kurz drücken.
13. Eingabetaste  
Im DAB- und UKW-Modus: Zum Bestätigen drücken.  
Im BT-Modus: Zum Wiedergeben/Anhalten drücken.  
Im Menümodus: Zum Bestätigen der aktuellen Auswahl drücken.
14. Zurück-Taste: Zum Zurückkehren zur vorherigen Stufe kurz drücken.
15. Helligkeitstaste: Taste zur Einstellung der LCD-Helligkeit. Zur Auswahl zwischen 3 Helligkeitsstufen kurz drücken.
16. Lautstärketaste +: Hiermit können Sie die Lautstärke erhöhen
17. Lautstärketaste -: Hiermit können Sie die Lautstärke verringern
18. Voreinstellung-Taste
19. Nächster

## Ihr Radio verwenden

### Beim ersten Mal mit DAB-Modus ein-/ausschalten:

Ziehen Sie bei Verwendung des PDR-051 die Antenne vollständig aus, um optimalen UKW/DAB-Radioempfang zu erhalten.

Drücken Sie zum Einschalten des Radios kurz **STANDBY** und das Radio ruft automatisch den DAB-Modus auf. Wenn das Radio zum ersten Mal den DAB-Modus aufruft, sucht es automatisch nach in Ihrer Region verfügbaren DAB-Sendern und speichert diese.

Das Radio synchronisiert Datum und Uhrzeit automatisch mit dem gefundenen DAB-Signal. Nach Abschluss der Suche drehen Sie den SKIP-Knopf zur Auswahl eines Senders. Drücken Sie zum Bestätigen **ENTER**. Die Wiedergabe des ausgewählten Senders beginnt.

### UKW-Radio

Drücken Sie zum Umschalten in den UKW-Modus die **MODE**-Taste. Halten Sie im UKW-Modus zum Starten der automatischen Suche die **ENTER**-Taste gedrückt. Das Gerät sucht nach Radiosendern und speichert die gefundenen Sender. Wenn das Empfangssignal angepasst werden soll, können Sie zur manuellen Anpassung der Frequenz **SKIP +/-** drehen. Sie können Ihren Lieblingsradiosender als Voreinstellung speichern, indem Sie die Taste **PRESET** lange drücken. Drehen Sie **SKIP** zur Auswahl der Voreinstellungsnummer des Speichervorgangs, drücken Sie dann zum Speichern unter der ausgewählten Nummer **ENTER**. Wählen Sie eine zuvor gespeicherte Voreinstellung, indem Sie zur Anzeige der Voreinstellungsliste kurz **PRESET** drücken. Drehen Sie dann **SKIP** zur Auswahl der Radiosenderfrequenz und drücken Sie zum Bestätigen Ihrer Auswahl **ENTER**.

### Standby:

Drücken Sie in einem beliebigen Wiedergabemodus zum Aufrufen des **STANDBY**-Modus kurz die **STANDBY**-Taste. Im Standby-Modus zeigt das Display nur Datum/Uhrzeit und eingestellte (aktive) Alarmer.

Im Standby-Modus können Sie zum Einrichten von Datum, Uhrzeit, Alarm und anderen Einstellungen **INFO/MENU** drücken. Schalten Sie das Gerät wieder ein, indem Sie erneut kurz **STANDBY** drücken.

Drücken Sie zum vollständigen Ausschalten des PDR-051 lange die **STANDBY**-Taste. In diesem Fall werden Uhrzeit, Datum und Alarm nicht angezeigt und die aktiven Alarmer werden nicht ausgelöst.

**HINWEIS:** Verwenden Sie den Bereitschaftsmodus nur, wenn das PDR-051 über das Netzteil angeschlossen ist.

### Laden:

Das PDR-051 kann sowohl im ein- als auch im ausgeschalteten Zustand aufgeladen werden. Sie sollten das mitgelieferte Ladegerät (Ausgabe: 5 V Gleichspannung, 600 mA) und das im Lieferumfang enthaltene Mikro-USB-Kabel zur Aufladung verwenden. Die Anzeige-LED an der Rückseite leuchtet beim Aufladen rot und bei vollständig aufgeladenem Akku grün.

### Menüeinstellungen

In verschiedenen Wiedergabemodi können Sie zum Aufrufen der Menüeinstellungen des aktiven Modus lange **INFO/MENU** drücken. Drehen Sie **SKIP +/-** zum Hervorheben eines Untermenüelements und drücken Sie zum Aufrufen des Untermenüs **ENTER**. Wenn kein weiteres Untermenü vorhanden ist, drücken Sie zum Bestätigen der hervorgehobenen Option **ENTER**. Drücken Sie zum Zurückkehren zum vorherigen Menü **INFO/MENU**.



#### Datum und Zeit manuell einstellen

Falls das PDR-051 kein Signal zur automatischen Synchronisierung der Zeit finden kann, können Sie Zeit und Datum manuell einstellen.

Halten Sie dazu **INFO/MENU** gedrückt oder halten Sie **ALARM&CLOCK** gedrückt, drehen Sie zur Auswahl von Time/Date (Zeit/Datum) **SKIP** und drücken Sie **ENTER**. Drehen Sie **SKIP** zur Anpassung des Datums. Drücken Sie zum Bestätigen **ENTER** und wiederholen Sie die Schritte zur Einstellung von Monat, Jahr, Stunden- und Minutenwert.

Nach Einstellung von Datum und Zeit kehren Sie automatisch zum vorherigen Menü zurück. Die Zeit-/Datumseinstellungen werden automatisch gespeichert. Kehren Sie mit **INFO/MENU** schrittweise zurück oder drücken Sie zum Verlassen des Menüs lange **INFO/MENU**.

#### Automatische Aktualisierung / 12/24-Stunden-Format einstellen / Datumsformat einstellen

**Set Time/Date (Uhrzeit/Datum einstellen)**: Stellen Sie Stundenformat, Datumsformat und automatische Aktualisierung ein.

**Datum/Uhrzeit einstellen**: 01-01-2021 0.0=00

**Automatische Aktualisierung**: Wählen Sie Update from Radio (Vom Radio aktualisieren) oder No Update (Keine Aktualisierung)

**Stundenformat einstellen**: Wählen Sie das 12- oder 24-Stunden-Format.

**Datumsformat einstellen**: Wählen Sie TT-MM-JJJJ, MM-TT-JJJJ oder JJJJ-MM-TT.

#### Wecker einstellen:

Drücken Sie zum Einstellen des Weckers kurz die **ALARM**-Taste, um den Alarmeinstellbildschirm aufzurufen. Drehen Sie **SKIP**, um Alarm 1, 2, 3 oder 4 auszuwählen. Drücken Sie nach Auswahl des gewünschten Alarms kurz **ENTER** und drehen Sie **SKIP** zur Auswahl. Die Einstelloptionen sind Time (Uhrzeit)/Source (Quelle)/Repeat (Wiederholen)/Volume (Lautstärke)/ON (Ein)/OFF (Aus).

**Time (Uhrzeit)**: Wählen Sie die Uhrzeit durch Drehen von **SKIP**, drücken Sie dann **ENTER** zur Bestätigung

**Alarm time (Alarmzeit)**: 15/30/45/60/75/90/120 Minuten.

**Source (Quelle)**: FM (UKW), DAB, Buzzer (Summer), SD, USB.

**Repeat (Wiederholen)**: Die Optionen sind Once (Einmal)/Daily (Täglich)/Weekends (Wochenenden)/Workday (Werktag).

**Volume (Lautstärke)**: Wählen Sie die Lautstärke durch Drehen von **SKIP** nach links oder rechts.

**Alarm ein/aus**: Die Optionen sind On (Ein)/Off (Aus). Drücken Sie zum Bestätigen **ENTER**. Drücken Sie nach der Einstellung zum Beenden der Alarmeinstellung **INFO/MENU**. Wenn der Alarm ertönt, nimmt die Lautstärke bis zur eingestellten Lautstärke allmählich zu. Drücken Sie zum Anpassen des Schlummern-Countdowns und zum Aktivieren der Schlummerfunktion kurz **ENTER**. Drücken Sie zum Ausschalten des Alarms kurz **STANDBY**, sobald er ertönt.

**WARNUNG**: Wir raten davon ab, den **ALARM** im Akkumodus zu verwenden, da der Akku zur Weckzeit erschöpft sein könnte! Verwenden Sie den **ALARM** am besten, wenn das Gerät per USB-Kabel an eine externe Stromversorgung angeschlossen ist.

#### DAB-Funktion

Wenn das PDR-051 zum ersten Mal den DAB-Modus aufruft, sucht das Radio automatisch nach den in Ihrer Region verfügbaren Radiosendern. Falls das Radio zuvor bereits nach Radiosendern gesucht hat, können Sie **ENTER** gedrückt halten, um erneut automatisch nach Sendern zu suchen.

Nach Abschluss der Sendersuche drehen Sie **SKIP** zur Aufwärts- und Abwärtsnavigation durch die Sender in der Senderliste. Drücken Sie zur Auswahl des Senders **ENTER**. Passen Sie durch Drehen von **VOLUME** die Lautstärke an.

Drücken Sie zum De-/Aktivieren der Stummschaltung kurz **VOLUME**.

Drücken Sie kurz **INFO/MENU**, um aktuelle Radioinformationen, Textinformationen, Signalstärke, Programmtyp, Episodennamen, Kanalnummer/Frequenz, Signalfehlerrate, Bitrate, Uhrzeit, Datum usw. anzuzeigen.

#### Einen DAB-Sender als Voreinstellung speichern

Halten Sie **PRESET** gedrückt, um den Bildschirm zum Speichern von Voreinstellungen zu öffnen. Drehen Sie **SKIP** zur Aufwärts- und Abwärtsnavigation durch die Speicherpositionen. Drehen Sie **SKIP** und drücken Sie **ENTER**, um den Radiosender in der aktuellen Position zu speichern. Drücken Sie zum Aufrufen des Bildschirms zum Abrufen von Voreinstellungen kurz **PRESET**. Wählen Sie dann durch Drehen von **SKIP** einen voreingestellten Radiosender und drücken Sie zum Bestätigen und Wiedergeben **ENTER**.

Zudem können Sie mit den Zifferntasten 0 bis 9 an der Fernbedienung voreingestellte Radiosender wählen und wiedergeben.

**Hinweis**: Insgesamt sind 40 voreingestellte Radiosender verfügbar.

#### WICHTIGE INFORMATIONEN ZUM DAB+-EMPFANG

##### Der DAB+-Radioempfang unterscheidet sich vom UKW-Radioempfang.

- Bei UKW können Sie bei schwachem Senderempfang häufig immer noch ein knisterndes oder knackendes Geräusch hören.
- DAB+-Empfang funktioniert digital. Daher hören Sie bei unzureichender Signalstärke nichts. Kein Zischen oder Knacken wie bei UKW. Dies liegt nicht am Radio, sondern an der Tatsache, dass das DAB+-Signal an diesem Ort nicht stark genug ist.
- Die DAB+-Regel lautet: kein oder schwacher Empfang = kein Ton.

##### Was können Sie tun, wenn Sie keinen direkten DAB+-Empfang haben?

- Richten Sie die Antenne zunächst immer gerade vertikal aus.
- Stellen Sie das Radio nicht zu nah an potenziellen Störquellen, wie z. B. Akkuladegeräten, rotierenden Maschinen, Computern, großen Metallflächen usw., auf.
- Bewegen Sie das Radio einige Meter.
- Schalten Sie das Radio ein und aktivieren Sie die vollständige Suche im DAB+-Menü
- Am Display des Radios sehen Sie den Fortschritt der Suche und die Anzahl der in der aktuellen Position des Radios gefundenen Sender.

##### Wichtig

- Beim DAB+-Empfang kann sich die Empfangsqualität innerhalb weniger Meter drastisch ändern. Bewegen Sie das Radio zur Suche nach einem stärkeren Signal, wenn das lokale DAB+-Signal schwach ist.
- Führen Sie die vollständige Suche erneut durch, wenn Sie das Radio an einen anderen Ort bringen. Dadurch sehen Sie, welche DAB+-Sender Sie dort empfangen können.

##### UKW-Funktion

Schalten Sie das PDR-051 ein und wechseln Sie in den UKW-Radiomodus.

Drücken Sie zum Starten der automatischen Suche lange die **ENTER**-Taste. Das Gerät sucht und speichert die gefundenen Radiosender. Drehen Sie **SKIP** zum Hervorheben gespeicherter Radiosender und drücken Sie zur Wiedergabe des gewünschten Senders **ENTER**.

Drücken Sie **INFO/MENU**, um Informationen über den aktuellen Sender, Textinformationen, Programmtyp, eingestellten Namen, Kanalinformationen, EQ-Typ, Akkustand, Datum und Uhrzeit anzuzeigen.

### Einen UKW-Sender als Voreinstellung speichern

Halten Sie PRESET gedrückt, um den Bildschirm zum Speichern von Voreinstellungen zu öffnen. Drehen Sie **SKIP** zur Aufwärts- und Abwärtsnavigation durch die Speicherpositionen. Drehen Sie **SKIP** und drücken Sie **ENTER**, um den Radiosender in der aktuellen Position zu speichern. Drücken Sie zum Aufrufen des Bildschirms zum Abrufen von Voreinstellungen kurz PRESET. Wählen Sie dann durch Drehen von **SKIP** einen voreingestellten Radiosender und drücken Sie zum Bestätigen und Wiedergeben **ENTER**.  
Zudem können Sie mit den Zifferntasten 0 bis 9 an der Fernbedienung voreingestellte Radiosender wählen und wiedergeben.

*Hinweis: Insgesamt sind 40 Sender verfügbar.*

### AUX-Modus

Sie können ein Audiogerät über das 3,5-mm-Audiokabel an den 3,5-mm-AUX-Eingang anschließen.

### Von USB/SD-Karte wiedergeben

Schalten Sie das PDR-051 ein und drücken Sie mehrmals die **MODE**-Taste, bis USB (oder SD) am Display erscheint. Anschließend können Sie Musik wiedergeben, indem Sie einen USB-Stick oder eine microSD-Karte mit Liedern im MP3-, WAV-, FLAC-, WMA- oder APE-Format anschließen.

Drehen Sie **VOLUME** zur Anpassung der Lautstärke. Drücken Sie zum De-/Aktivieren der Stummschaltung kurz **VOLUME**. Drehen Sie **SKIP** zum Umschalten zum vorherigen oder nächsten Titel. Drehen und halten Sie **SKIP** zum Aktivieren des Rücklaufs/Schnellvorlaufs eines Liedes. Drücken Sie zum Wiedergeben oder Anhalten der Wiedergabe kurz **ENTER**. Alternativ können Sie über die Zifferntasten 0 bis 9 Lieder zur Wiedergabe wählen.

Drücken Sie während der Wiedergabe kurz **INFO/MENU**, um Informationen (Namen des Liedes, aktueller Titel/Titel gesamt, aktuelle Wiedergabezeit/Gesamtzeit des aktuellen Titels, Zeit, Datum usw.) über das aktuell wiedergegebene Lied anzuzeigen.

### Bluetooth-Modus

1. Drücken Sie mehrmals kurz **MODE**, bis „BT“ am Display angezeigt wird. Nach einigen Sekunden erscheint „Disconnected (Getrennt)“ (falls das Gerät zuvor gekoppelt war). Das Gerät ist zur Bluetooth-Verbindung bereit.
2. Zur Verbindung Ihres Bluetooth-Gerätes öffnen Sie zunächst die Bluetooth-Konfiguration an Ihrem Smartphone oder anderen Bluetooth-Gerät. Suchen Sie dann nach dem Gerät „Lenco PDR-051“ und tippen Sie den Eintrag zur Herstellung einer Verbindung mit „Lenco PDR-051“ an. Die Bluetooth-Verbindung wird hergestellt und Ihr Smartphone oder anderes Bluetooth-Gerät kann mit Ihrem Lenco PDR-051 genutzt werden.
3. Nun können Sie Ihre bevorzugte Streaming-App oder lokale Musik-App an Ihrem Smartphone oder anderen verbundenen Bluetooth-Gerät nutzen, um Musik über die Lautsprecher des Lenco PDR-051 wiederzugeben.
4. Durch kurzes Drücken von **ENTER** können Sie die Wiedergabe anhalten/starten, drücken Sie zur Wiedergabe des nächsten oder vorherigen Liedes **SKIP+/SKIP-**.
5. Die Lautstärke kann mit den Tasten **VOLUME+/VOLUME-** angepasst werden. (**Bitte beachten Sie, dass Sie in den meisten Fällen am Smartphone oder anderen verbundenen Bluetooth-Gerät die Lautstärke zunächst auf das Maximum einstellen müssen.**)

### Bluetooth-Freisprecheinrichtung.

Wenn Sie während der Bluetooth-Musikwiedergabe einen Anruf erhalten, wird die Musik gestoppt. Ein Klingelton wird ausgegeben und eine Meldung erscheint am Display. Drücken Sie zum Annehmen des Anrufs kurz **SKIP** oder **ENTER**. Das Display zeigt „HFP RUN (FREISPRECHRICHTUNG AUSFÜHREN)“.  
Sie können über das interne Mikrofon an der Vorderseite des PDR-051 sprechen.

Drücken Sie zum Auflegen kurz **SKIP** oder **ENTER**.

Drücken Sie zum Ablehnen eines eingehenden Anrufs lange **SKIP** oder **ENTER**, wenn ein Anruf eingeht.

### HINWEIS:

**„Dieses Produkt besitzt eine Bluetooth-Empfangsfunktion. Sie können mit diesem Gerät kein Bluetooth-Audio an andere Geräte senden, sondern nur Bluetooth-Audiosignale von externen Signalquellen wie beispielsweise einem Smartphone empfangen.“**

Netzteil (nur für EU)

Verwenden Sie nur die im Handbuch angegebene Stromversorgung

Informationen	Wert und Genauigkeit
Name des Herstellers oder der Handelsmarke, kommerzielle Zulassung und Anschrift	Shenzhen Fushigang Technology Co., Ltd
Modellidentifikator	AS0601A-0500600EUU
Eingangsspannung	100-240V AC
Wechselstromfrequenz des AC-Eingangs	50Hz/60Hz
Ausgangsspannung	DC 5,0V +/-5%
Ausgangsstrom	0,6A
Ausgangsleistung	3,0W
Durchschnittliche Effizienz bei Normlast	>=69,64%
Effizienz bei Niederlast (10 %)	>=61,05%
Leistungsaufnahme bei Nulllast	<=0,1W

### Produktspezifikationen

- Max. Ausgangsleistung: 6 W
- Rauschabstand: ≥ 70 dBA
- Verzerrung: ≤1%
- Frequenzgang: 100 Hz bis 18 kHz
- Audioeingangsmodus: DAB, UKW, BT, USB, MICROSD, AUX
- Treibereinheit: 52 mm interner Magnetismus (4 Ω/3 W x 2)
- Batterie: 18650, 3,7 V/1800 mAh, Lithium-Ionen-Akku
- Maximale Eingangsempfindlichkeit USB/microSD: 0 dBm
- Eingangsempfindlichkeit DAB-Empfang: -95 dBm
- Eingangsempfindlichkeit UKW-Empfang: -105 dBm
- Betriebstemperatur: -10 bis 50 °C
- Lagertemperatur: -20 bis 70 °C
- Geräteabmessungen: 110 mm/145 mm/80 mm
- Nettogewicht: Ca. 760 g

### 1. Garantie

Lenco bietet Leistungen und Garantien im Einklang mit Europäischem Recht. Setzen Sie sich deshalb im Falle von Reparaturen (sowohl während als auch nach Ablauf der Garantiezeit) mit Ihrem Fachhändler in Verbindung.

Wichtiger Hinweis: Es ist nicht möglich, Produkte für Reparaturen direkt an Lenco zu schicken.

Wichtiger Hinweis: Wenn dieses Gerät für welchen Grund auch immer durch ein nicht offizielles Servicezentrum geöffnet wurde oder durch dieses Servicezentrum darauf zugegriffen wurde, erlischt die Garantie.

Dieses Gerät ist nicht für professionelle Zwecke geeignet. Falls das Gerät für professionelle Zwecke eingesetzt wird, erlöschen alle Garantieverpflichtungen seitens des Herstellers.

## 2. Haftungsausschluss

Aktualisierungen der Firmware und/oder Hardware-Komponenten werden regelmäßig durchgeführt. Aus diesem Grund können einige der Anleitungen, Spezifikationen und Abbildungen in dieser Dokumentation zu dem Ihnen vorliegenden Gerät leicht abweichen. Alle in diesem Handbuch beschriebenen Elemente dienen nur zur Illustration und treffen auf Ihre individuelle Situation möglicherweise nicht zu. Aus der in diesem Handbuch getätigten Beschreibung können keine Rechtsansprüche oder Leistungsanforderungen geltend gemacht werden.

## 3. Entsorgung des Altgeräts



Dieses Symbol zeigt an, dass das entsprechende Produkt oder dessen Akku/Batterie in Europa nicht mit dem normalen Hausmüll entsorgt werden darf. Um die ordnungsgemäße Abfallbehandlung des Produkts und dessen Akku/Batterie zu gewährleisten, müssen diese im Einklang mit allen anwendbaren örtlichen Vorschriften zur Entsorgung von Elektrogeräten und Akkus/Batterien entsorgt werden. Dabei helfen Sie, natürliche Ressourcen zu schonen und Umweltschutzstandards zur Verwertung und Entsorgung von Altgeräten aufrecht zu halten (Richtlinie über Entsorgung Elektrischer und Elektronischer Altgeräte).

## 4. CE-Kennzeichen

Hiermit erklärt Commaxx B.V. Wiebachstraat 37, 6466 NG Kerkrade, The Netherlands, dass dieses Produkt den grundsätzlichen Anforderungen der EU-Richtlinie entspricht.

Die Konformitätserklärung kann unter folgendem Link abgerufen werden [techdoc@commaxxgroup.com](mailto:techdoc@commaxxgroup.com)



## 5. Service

Besuchen Sie bitte für weitere Informationen und unseren Kundendienst unsere Homepage [www.lenco.com](http://www.lenco.com)  
Commaxx B.V. Wiebachstraat 37, 6466 NG Kerkrade, The Netherlands.

### ATTENTION :

L'utilisation de commandes ou de réglages ou l'exécution de procédures autres que ceux spécifiés dans ce manuel peut entraîner une exposition à des rayonnements dangereux.

### PRÉCAUTIONS AVANT UTILISATION

#### GARDEZ CES INSTRUCTIONS À L'ESPRIT :

1. Ne couvrez pas et n'obtenez pas les ouvertures de ventilation. Lorsque vous placez l'appareil sur une étagère, laissez 5 cm (2") d'espace libre tout autour de l'appareil.
2. Réalisez l'installation conformément au mode d'emploi fourni.
3. Gardez l'appareil à l'écart des sources de chaleur telles que radiateurs, appareils de chauffage, fours, bougies et autres produits générant de la chaleur ou une flamme nue. L'appareil ne peut être utilisé que dans des climats modérés. Les environnements extrêmement froids ou chauds doivent être évités. Température de fonctionnement entre 0 et 35 °C.
4. Évitez d'utiliser l'appareil à proximité de champs magnétiques puissants.
5. Des décharges électrostatiques peuvent perturber le fonctionnement normal de cet appareil. Dans ce cas, il suffit de réinitialiser et de redémarrer l'appareil en suivant le mode d'emploi. Pendant le transfert de fichiers, manipulez l'appareil avec précaution et faites-le fonctionner dans un environnement privé d'électricité statique.
6. Avertissement ! N'introduisez jamais d'objets dans l'appareil par les ouvertures et les fentes de ventilation. Étant donné que des tensions élevées sont présentes à l'intérieur du produit, l'insertion d'objets peut entraîner une électrocution ou court-circuiter les composants internes. Pour les mêmes raisons, ne versez pas de l'eau ou un liquide sur le produit.
7. Ne l'utilisez pas dans des endroits humides tels qu'une salle de bain, une cuisine pleine de vapeur ou à proximité d'une piscine.
8. L'appareil ne doit pas être exposé à des écoulements ou des éclaboussures et aucun objet contenant un liquide, tel qu'un vase, ne doit être posé sur ou près de l'appareil.
9. N'utilisez pas cet appareil lorsque de la condensation est possible. Lorsque vous utilisez l'appareil dans une pièce chaude et humide, des gouttelettes d'eau ou de la condensation peuvent se former à l'intérieur de l'appareil. Dans ce cas, l'appareil peut ne pas fonctionner correctement. Pour éviter tout risque, laissez l'appareil hors tension pendant 1 ou 2 heures avant de le mettre en marche : l'appareil doit être totalement sec avant de le mettre en marche.
10. Bien que ce dispositif soit fabriqué avec le plus grand soin et contrôlé à plusieurs reprises avant de quitter l'usine, il est toujours possible que des problèmes se produisent, comme avec tous les appareils électriques. Si l'appareil émet de la fumée ou en cas d'accumulation excessive de la chaleur ou d'un phénomène inattendu, débranchez immédiatement la fiche d'alimentation du secteur.
11. Cet appareil doit fonctionner avec la source d'alimentation indiquée sur la plaque signalétique. Si vous n'êtes pas sûr du type d'alimentation utilisé chez vous, contactez votre revendeur ou le fournisseur local d'électricité.
12. Tenez l'appareil à l'abri des animaux. Certains animaux adorent mordre les cordons d'alimentation.
13. Pour nettoyer l'appareil, servez-vous d'un chiffon doux et sec. N'utilisez pas de solvant ni d'autre liquide à base de pétrole. Pour enlever les taches importantes, vous pouvez vous servir d'un chiffon humide imbibé d'une solution de détergent diluée.
14. Le fournisseur n'est pas responsable des dommages ou pertes de données causés par un dysfonctionnement, une utilisation abusive, une modification de l'appareil ou un remplacement de la batterie.
15. N'interrompez pas la connexion lorsque l'appareil formate ou transfère des fichiers. Dans le cas contraire, les données pourraient être endommagées ou perdues.
16. Si l'appareil dispose d'une fonction de lecture USB, il faut brancher la clé USB directement sur l'appareil. N'utilisez pas un câble d'extension USB, car cela peut causer des interférences entraînant des pertes de données.
17. La plaque signalétique se situe en dessous ou à l'arrière de l'appareil.
18. Cet appareil ne doit pas être utilisé par des personnes (enfants compris) souffrant de handicaps physiques, sensoriels ou mentaux, ou manquant d'expérience et de connaissances, sauf si elles sont sous surveillance ou ont reçu des instructions sur l'utilisation correcte de l'appareil par la personne qui est responsable de leur sécurité.
19. Ce produit est conçu pour un usage non professionnel, et non commercial ou industriel.
20. Vérifiez que l'appareil est en position stable. La garantie ne couvre pas les dégâts occasionnés par l'utilisation de cet appareil en position instable, par les vibrations, les chocs ou par la non-observation de tout autre avertissement ou précaution contenus dans ce mode d'emploi.
21. N'ouvrez jamais cet appareil.
22. Ne placez jamais cet appareil sur un autre appareil électrique.
23. Ne laissez pas les sacs en plastique à la portée des enfants.
24. Utilisez uniquement les accessoires recommandés par le fabricant.
25. Confiez l'entretien et les réparations à un personnel qualifié. Une réparation est nécessaire lorsque l'appareil a été endommagé de quelque façon que ce soit, par exemple lorsque le cordon d'alimentation ou la prise sont endommagés, lorsqu'un liquide a été renversé ou des objets ont été introduits dans l'appareil, lorsque l'appareil a été exposé à la pluie ou à l'humidité, lorsqu'il ne fonctionne pas correctement ou lorsque l'appareil est tombé.
26. Une exposition prolongée à la musique avec un volume élevé peut entraîner une perte auditive temporaire ou permanente.

27. Si l'appareil est livré avec un câble d'alimentation ou un adaptateur secteur :
- En cas de problème, débranchez le cordon d'alimentation secteur et confiez l'entretien à du personnel qualifié.
  - Ne marchez pas sur l'adaptateur secteur ni le coincez. Faites très attention, en particulier près des fiches et du point de sortie du câble. Ne placez pas d'objets lourds sur l'adaptateur secteur, car vous risquez de l'endommager. Gardez l'appareil hors de portée des enfants ! Ils pourraient se blesser gravement s'ils jouent avec le câble d'alimentation.
  - Débranchez cet appareil pendant les orages ou lorsqu'il n'est pas utilisé pendant une longue durée.
  - La prise secteur doit être installée près de l'appareil et doit être facilement accessible.
  - Ne surchargez pas les prises de courant ni les rallonges. Une surcharge peut entraîner un incendie ou une électrocution.
  - Les appareils de classe 1 doivent être branchés à une prise de courant disposant d'une connexion protectrice à la terre.
  - Les appareils de classe 2 ne nécessitent pas de connexion à la terre.
  - Tirez toujours sur la fiche pour débrancher le cordon de la prise secteur. Ne tirez pas sur le cordon d'alimentation. Cela pourrait provoquer un court-circuit.
  - N'utilisez pas un cordon ou une fiche d'alimentation endommagés ni une prise desserrée. Vous courez un risque d'incendie ou de décharge électrique.
28. Si le produit contient ou est livré avec une télécommande contenant des piles boutons :
- Avertissement :
- « N'ingérez pas la pile, car vous risquez une brûlure chimique » ou une formule équivalente.
  - [La télécommande fournie avec] Ce produit contient une pile bouton. Si la pile est avalée, elle peut causer de graves brûlures internes en seulement 2 heures et peut entraîner la mort.
  - Tenez les piles neuves et usagées hors de portée des enfants.
  - Si le compartiment à piles ne se ferme pas correctement, cessez d'utiliser l'appareil et tenez-le hors de portée des enfants.
  - Si vous pensez que les piles ont été avalées ou placées à l'intérieur d'une partie du corps, consultez un médecin immédiatement.
29. Mise en garde relative à l'utilisation des piles :
- Risque d'explosion si la pile est mal remplacée. Remplacez les piles par des piles d'un type identique ou équivalent.
  - Pendant l'utilisation, le stockage ou le transport, la pile ne doit pas être soumise à des températures extrêmement élevées ou basses, à une faible pression d'air à haute altitude.
  - Le remplacement d'une pile par une autre de type incorrect peut entraîner une explosion ou une fuite de liquide ou de gaz inflammable.
  - L'introduction d'une pile dans le feu ou dans un four chaud, l'écrasement ou le découpage mécanique peut entraîner une explosion.
  - L'exposition d'une pile dans un environnement à température extrêmement élevée peut entraîner une explosion ou une fuite de liquide ou de gaz inflammable.
  - L'exposition d'une pile à une pression d'air extrêmement basse peut entraîner une explosion ou une fuite de liquide ou de gaz inflammable.
  - Veuillez considérer les questions environnementales lors de la mise au rebut des piles.

#### INSTALLATION

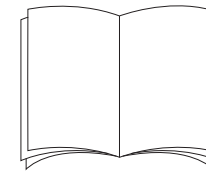
- Déballez toutes les pièces et enlevez le matériau de protection.
- Ne connectez pas l'unité au secteur avant d'avoir vérifié la tension du secteur et avant que toutes les autres connexions n'aient été effectuées.

## Accessoires

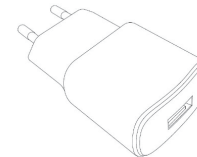
### ● Télécommande



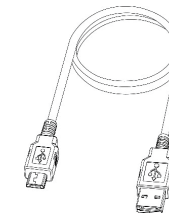
### ● Mode d'emploi



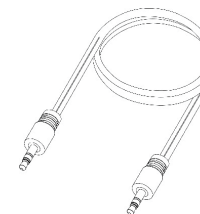
### ● Adaptateur d'alimentation



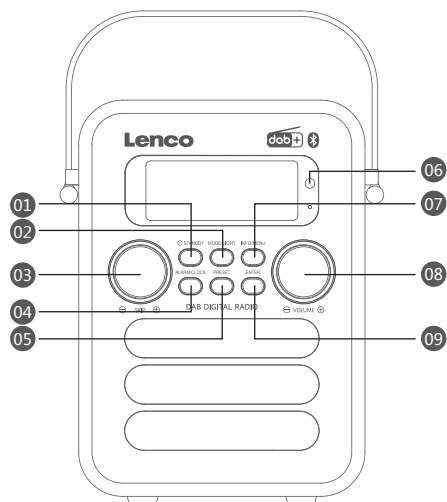
### ● Câble de charge USB



### ● Câble auxiliaire



## PRÉSENTATION DE L'APPAREIL



### 1. VEILLE

Dans tous les modes :

- Appuyez brièvement pour passer en mode veille
- Appuyez longuement pour allumer/éteindre

Lorsque l'alarme est déclenchée : Appuyez brièvement sur la touche pour supprimer l'alarme et passer en mode Arrêt ou Veille

### 2. MODE/ÉCLAIRAGE

Brève pression : passer au mode

DAB/FM/AUX/BT/USB/SD

Appui long : Modifier la luminosité de l'écran (faible/moyenne/élevée)

### 3. SAUT-/+ :

En mode DAB : Tournez vers la gauche/droite pour parcourir la liste des stations. Tournez vers la gauche/droite et maintenez pour parcourir rapidement la liste des stations.

En mode FM : Tournez vers la gauche/droite pour affiner le réglage. Tournez vers la gauche/droite et maintenez la pression pour effectuer une recherche automatique de la prochaine station forte.

En mode Menu : Tournez à gauche/droite pour parcourir les options du menu.

En mode BT/USB/SD : Tournez à gauche/droite pour lire la piste suivante/précédente.

### 4. HORLOGE/ALARME

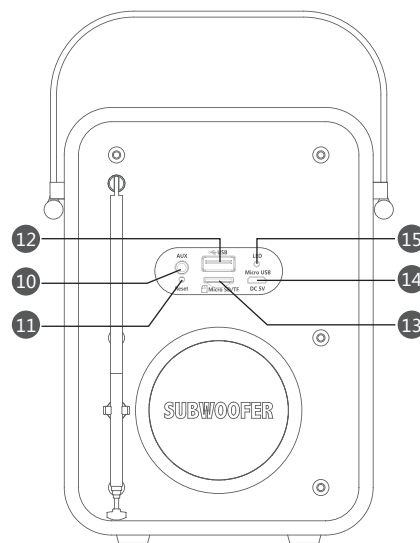
Dans tous les modes : Appuyez brièvement pour régler l'Alarme 1, 2, 3 ou 4.

### 5. PRÉSÉLECTION

En mode DAB/FM : Appuyez brièvement pour afficher la liste des stations préréglées. Appuyez longuement sur PRESET pour mémoriser la station de radio actuelle comme présélection.

EN MODE USB/SD : Appuyez brièvement pour sélectionner Lecture simple/aléatoire/toutes les pistes.

### 6. Fenêtre de réception de la télécommande à infrarouge



### 7. INFO/MENU

Plusieurs pressions courtes pour afficher différentes informations.

Appuyez longuement pour accéder au menu des réglages. Appuyez à nouveau brièvement pour quitter le menu actif.

### 8. Volume -/+

Tourner à gauche/droite pour baisser/augmenter.

Appuyez brièvement sur le bouton VOLUME pour couper ou rétablir le son.

### 9. Entrée/RECHERCHE AUTO

En mode menu : appuyez brièvement pour confirmer la sélection actuelle.

En mode USB/carte SD : appuyez brièvement pour la fonction lecture/pause.

Mode BT : Appuyez brièvement pour lire/suspendre.

Mode DAB Appuyez et maintenez enfoncé pour initier la recherche automatique

Mode FM : Appuyez brièvement pour balayer jusqu'à la prochaine station de radio trouvée. Une pression longue lance la recherche automatique et enregistre les stations de radio trouvées comme présélection.

### 10. AUX

### 11. Réinitialiser

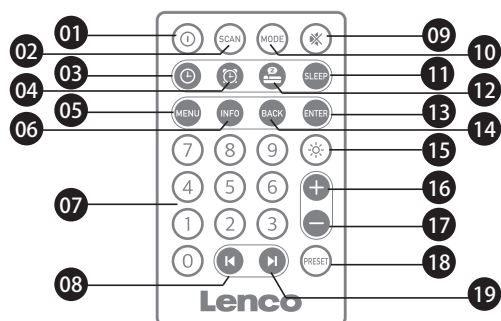
### 12. USB

### 13. Micro SD/TF

### 14. Micro USB

### 15. Témoin lumineux

## Présentation de la télécommande



01. Brève pression sur le bouton de standby : activation du mode de fonctionnement/ standby
02. Mode DAB/FM : appuyez brièvement pour rechercher des stations de radio
03. Touche de réglage de l'horloge : appuyez brièvement pour accéder à l'interface de réglage de l'horloge
04. Touche ALARM : brève pression—accéder à l'état de réglage de l'alarme
05. Touche MENU : appuyez brièvement pour accéder aux paramètres du menu
06. Bouton INFO : appuyez brièvement pour afficher diverses informations
07. Touches numériques : Combinez les touches numériques 0-9 pour sélectionner la station de radio ou le numéro de la chanson.
08. Précédent
09. Mode DAB : Brève pression—sélectionner les stations précédentes
10. Appuyez et maintenez enfoncé pour reculer rapidement
11. Mode FM : brève pression—recherche affinée vers l'arrière
12. Appuyez et maintenez enfoncé pour lancer la recherche vers l'arrière
13. Mode Menu : appuyez brièvement pour reculer
14. Bouton SOURDINE : Pour activer/couper le son
15. Bouton MODE : sélectionner le mode DAB/FM/BT/USB ou TF/SD
16. Dans tous les modes, appuyez brièvement pour régler la fonction de VEILLE : OFF (DÉS)/15/30/45/60/75/90/120 minutes
17. Bouton RÉPÉTITION : Lorsque l'alarme retentit, appuyez brièvement pour accéder à la fonction de répétition d'alarme.
18. Dans la fonction de répétition, appuyez brièvement pour sélectionner différentes durées de répétition.
19. Touche de confirmation
20. Mode DAB ou FM : Fonction OK
21. Mode BT : fonction Lecture/pause.
22. en mode menu : confirmer la sélection actuelle
23. Touche de RETOUR : Appuyez brièvement pour revenir en arrière d'une étape
24. Touche de LUMINOSITÉ : Touche de réglage de la luminosité de l'écran LCD. Une pression courte permet de choisir entre 3 niveaux de luminosité.
25. Touche VOL + : Permet d'augmenter le volume
26. Touche VOL - : Permet de baisser le volume
27. Touche de présélection
28. Touche SKIP+

## Utilisation de votre radio

### Allumez/éteignez la radio en utilisant le mode DAB pour la première fois :

Lorsque vous utilisez le PDR-051, allongez complètement l'antenne pour obtenir le meilleur signal radio FM/DAB.

Appuyez brièvement sur **STANDBY** pour allumer la radio et passer automatiquement en mode DAB. Si la radio passe en mode DAB pour la première fois, elle recherche et mémorise automatiquement les stations DAB disponibles dans votre région. La radio synchronise automatiquement l'heure et la date avec le signal DAB trouvé. Une fois la recherche terminée, tournez le bouton ignorer pour sélectionner une station et appuyez sur **ENTER** pour confirmer. La station sélectionnée commence à être diffusée.

### Radio FM

Appuyez sur **MODE** pour passer en mode Fm. En mode FM, appuyez sur le bouton **ENTER** et maintenez-le enfoncé pour lancer la recherche automatique, qui recherche et mémorise les stations de radio trouvées. Si le signal de réception doit être ajusté, vous pouvez tourner **SKIP +/-** pour régler la fréquence manuellement. Vous pouvez enregistrer votre station de radio préférée en tant que présélection en appuyant longuement sur le bouton **PRESET**. Tournez le bouton **SKIP** pour sélectionner le numéro de la présélection que vous souhaitez enregistrer, puis appuyez sur **ENTER** pour l'enregistrer à l'emplacement sélectionné. Pour sélectionner une présélection précédemment enregistrée, appuyez brièvement sur **PRESET** pour afficher la liste des présélections, puis tournez le bouton **SKIP** pour sélectionner la fréquence de la station radio et appuyez sur **ENTER** pour confirmer votre sélection.

### Standby :

Appuyez brièvement sur **STANDBY** pour passer en mode **STANDBY** à partir d'un quelconque mode de lecture. En mode veille, l'écran affiche uniquement l'heure/la date et les alarmes (actives) réglées. En mode veille, vous pouvez appuyer sur **INFO/MENU** pour régler l'heure, la date, l'alarme et d'autres réglages. Pour rallumer l'appareil, appuyez à nouveau brièvement sur **STANDBY**.

Appuyez longuement sur **STANDBY** pour éteindre complètement le PDR-051. L'heure, la date et l'alarme ne seront pas affichées et les alarmes actives ne seront pas déclenchées.

**REMARQUE : N'utilisez le mode veille que lorsque le PDR-051 est connecté à l'adaptateur d'alimentation secteur.**

### Charge :

Le PDR-051 peut être chargé sous tension ou hors tension. Il est recommandé d'utiliser le chargeur fourni (sortie : 5 V CC, 600 mA). Utilisez le câble micro USB fourni pour le chargement. Le témoin lumineux situé à l'arrière est rouge pendant la charge et le témoin lumineux est vert lorsque la batterie est entièrement chargée.

### Paramètres du menu

Dans les différents modes de lecture, vous pouvez appuyer longuement sur **INFO/MENU** pour accéder aux paramètres du menu du mode actif. Tournez le bouton **SKIP +/-** pour mettre en évidence un élément du sous-menu et appuyez sur **ENTER** pour accéder au sous-menu. S'il n'y a qu'un seul menu dans le sous-menu, appuyez sur **ENTER** pour confirmer l'option en surbrillance. Appuyez sur **INFO/MENU** pour retourner au menu précédent.

### Réglage manuel de l'heure et de la date.

Si le PDR-051 ne trouve pas de signal pour synchroniser l'heure automatiquement, vous pouvez régler l'heure et la date manuellement.

Pour ce faire, appuyez sur la touche **INFO/MENU** et maintenez-la enfoncée ou sur **ALARM&CLOCK**, tournez le bouton **SKIP** pour sélectionner l'heure/la date et appuyez sur **ENTER**. Tournez le bouton **SKIP** pour régler la date. Appuyez sur **ENTER** pour confirmer et répétez ensuite pour régler le mois, l'année, l'heure et les minutes.

Une fois que vous avez réglé la date et l'heure, le menu revient automatiquement au précédent. L'heure et la date que vous avez définies seront automatiquement enregistrées. appuyez sur « **INFO/MENU** » pour retourner étape par étape ou appuyez sur **Info/Menu** et maintenez enfoncé pour quitter le menu.

#### Options de mise à jour automatique/réglage des heures 12/24/réglage du format de la date

**Set Time/Date (réglage de l'heure/date)** : Réglage du système d'heures, du format de la date, de la mise à jour automatique

**Set Time/Date Set Time/Date (réglage de l'heure/date)**. 01-01-2021 0.0=00

**Mise à jour Automatique** : Sélectionnez Mise à jour à partir de la radio ou Pas de mise à jour

**Réglage du système de l'heure** : Sélectionnez 12 heures ou 24 heures

**Régler le format de la date** : Sélectionnez dd-mm-yyyy, mm-dd-yyyy, yyyy-mm-dd (jj-mm-aaaa, mm-jj-aaaa, aaaa-mm-jj)

#### Réglage du réveil

Pour régler le réveil, appuyez brièvement sur **ALARM** pour accéder dans l'interface de réglage de l'alarme. Tournez le bouton **SKIP** pour sélectionner l'alarme 1 ou l'alarme 2, 3 ou 4. Après avoir sélectionné l'alarme souhaitée, appuyez sur la touche **ENTER** et tournez le bouton **SKIP** pour la sélectionner : Options de réglage de l'heure, de la source, de la répétition, du volume et de l'activation/désactivation.

**Heure** : Sélectionnez l'heure en tournant le bouton **SKIP**, puis appuyez sur **ENTER** pour confirmer

**Heure de réveil** : OFF (DÉS)/15/30/45/60/75/90/120 minutes

**Source** : FM, DAB, Buzzer, SD, USB

**Répétition** : Vous pouvez choisir entre les options Once/Daily/Weekends/Workday (Une fois/quotidien/week-end/jour ouvrable )

**Volume** : Sélectionnez la valeur du volume en tournant le bouton **SKIP** à gauche et à droite.

**Activation/désactivation de l'alarme** : Option Activer/Désactiver ; appuyez sur **ENTER** pour confirmer. Après le réglage, appuyez sur **INFO/MENU** pour quitter le réglage du réveil. Lorsque l'alarme retentit, le son augmente progressivement jusqu'au volume réglé. Appuyez brièvement sur le bouton **ENTER** pour régler le compte à rebours de la répétition de réveil et activer la fonction ; Appuyez brièvement sur le bouton **STANDBY** pour arrêter l'alarme lorsqu'elle sonne.

Avertissement : Nous vous conseillons de ne pas utiliser l'ALARME en mode batterie pour éviter que la batterie s'épuise au moment de la réactivation! Il est préférable d'utiliser l'ALARME lorsque l'appareil est connecté à une alimentation externe par câble USB.

#### Fonction DAB

Si le PDR-051 passe en mode DAB pour la première fois, la radio recherche automatiquement les stations disponibles dans votre région. Si la radio a déjà recherché des stations auparavant, vous pouvez appuyer sur la touche **ENTER** et la maintenir enfoncée pour rechercher à nouveau automatiquement des stations.

Une fois la recherche de stations terminée, tournez le bouton **SKIP** pour naviguer vers le haut et vers le bas dans la liste des stations, appuyez sur **ENTER** pour sélectionner la station. Tournez le bouton **VOLUME** pour régler le volume approprié.

Appuyez brièvement sur le bouton **VOLUME** pour couper/rétablir le son.

Appuyez brièvement sur la touche **INFO/MENU** pour afficher le texte d'information radio actuel, l'intensité du signal, le type de programme, le nom de l'épisode, le numéro de la chaîne/la fréquence, le taux d'erreur du signal, le débit binaire, l'heure et la date, etc.

#### Sauvegarde d'une station DAB comme présélection

Appuyez sur la touche **PRESET** et maintenez-la enfoncée pour accéder à l'interface de mémorisation des stations de radio. Tournez le bouton **SKIP** pour déplacer la position de la mémoire de présélection vers le haut et vers le bas. Tournez le bouton « **SKIP** » et **ENTER** pour mémoriser la station de radio à la position actuelle. Appuyez brièvement sur la touche **PRESET** pour accéder à l'interface de rappel des stations radio, puis tournez **SKIP** pour sélectionner une station radio mémorisée. appuyez sur la touche **ENTER** pour confirmer et lancer la lecture.

Vous pouvez également utiliser les touches numériques 0-9 de la télécommande pour sélectionner la station de radio mémorisée pour la lecture.

**Remarque** : *Un total de 40 stations de radio pré-réglées est disponible.*

#### INFORMATIONS IMPORTANTES CONCERNANT LA RÉCEPTION DAB+

##### La réception radio DAB+ est différente de la réception radio FM.

- En mode FM, vous pouvez souvent encore recevoir une station faible, mais probablement avec des crépitements ou des grésillements.
- La réception DAB + fonctionne numériquement par conséquent si le signal n'est pas fort, vous n'entendrez rien. Il n'y a pas de sifflement ou de crépitements comme en mode FM. Cela n'est pas dû à la radio, mais au fait que le signal DAB+ n'est pas assez fort à cet endroit.
- La règle pour le mode DAB + est : pas de réception ou réception faible = pas de son.

##### Que pouvez-vous faire si vous n'avez pas de réception DAB+ directe ?

- Positionnez toujours l'antenne en position verticale en premier.
- Ne placez pas la radio trop près des sources potentielles d'interférence telles que les chargeurs de batterie, les machines rotatives, les ordinateurs, les grandes surfaces métalliques, etc.
- Déplacez la radio de quelques mètres.
- Allumez la radio et activez une recherche complète dans le menu DAB+
- Sur l'affichage de la radio, vous verrez la progression de la recherche ainsi que le nombre de stations trouvées à l'emplacement actuel de la radio.

##### Important

- Avec la réception DAB+, il peut y avoir une très grande différence de niveau de réception entre un emplacement donné et « quelques mètres » plus loin. En présence d'un signal local DAB+ faible, déplacez la radio pour trouver un signal plus fort.
- Si vous déplacez la radio à un autre endroit, effectuez à nouveau une recherche complète. Cela vous montrera quelles stations DAB+ peuvent y être reçues.

##### Fonction radio FM

Allumez le PDR-051 et passez en mode radio FM.

Appuyez sur le bouton Entrée pour lancer la recherche automatique, qui recherche et mémorise les stations de radio trouvées. Tournez le bouton skip pour mettre en évidence les stations de radio sauvegardées et appuyez sur ENTER pour lire la station de votre choix.

Appuyez brièvement sur le bouton **INFO/MENU** pour afficher les informations sur la station actuelle, les informations sur le texte, le type de programme, le nom réglé, les informations sur le canal, le type d'égaliseur, le niveau de la batterie, l'heure et la date.

### Sauvegarde d'une station FM comme présélection

Appuyez sur la touche PRESET et maintenez-la enfoncée pour accéder à l'interface de mémorisation des stations de radio. Tournez le bouton **SKIP** pour déplacer la position de la mémoire de présélection vers le haut et vers le bas. Tournez le bouton « **SKIP** » et **ENTER** pour mémoriser la station de radio à la position actuelle. Appuyez brièvement sur la touche PRESET pour accéder à l'interface de rappel des stations radio, puis tournez **SKIP** pour sélectionner une station radio mémorisée. appuyez sur la touche **ENTER** pour confirmer et lancer la lecture. Vous pouvez également utiliser les touches numériques 0-9 de la télécommande pour sélectionner la station de radio mémorisée pour la lecture.

**Remarque : Un total de 40 stations est disponible.**

### Mode Auxiliaire

Vous pouvez connecter n'importe quel appareil audio via le connecteur d'entrée AUX de 3,5 mm à l'aide du câble audio de 3,5 mm.

### Lecture USB/Carte SD

Allumez le PDR-051 et appuyez plusieurs fois sur le bouton « **MODE** » jusqu'à ce que USB (ou SD) apparaisse à l'écran. Vous pouvez alors lire de la musique en insérant une clé USB ou une carte Micro SD contenant des chansons au format MP3, WAV, FLAC, WMA, APE.

Tournez le bouton **VOLUME** pour régler le volume ; appuyez brièvement sur **VOLUME** pour couper et rétablir le son. Tournez le bouton **SKIP** pour passer à la piste précédente ou suivante ; tournez et maintenez le bouton skip pour rembobiner et avancer rapidement la chanson ; appuyez brièvement sur **ENTER** pour lire ou faire une pause. Vous pouvez également utiliser les touches numériques 0-9 de la télécommande pour sélectionner les chansons à lire.

Pendant la lecture, appuyez brièvement sur **INFO/MENU** pour afficher les informations sur la chanson en cours de lecture (nom de la chanson, piste actuelle/nombre total de pistes durée de la lecture en cours/durée totale de la piste en cours, etc.)

### Mode Bluetooth

1. Appuyez brièvement et à plusieurs reprises sur la touche **MODE** jusqu'à ce que « BT » s'affiche à l'écran. Au bout de quelques secondes, le texte « Disconnected » (Déconnecté) s'affiche. (si aucun appareil n'a été apparié au préalable). L'appareil est prêt pour les connexions Bluetooth.
2. Pour connecter votre appareil Bluetooth, ouvrez d'abord la configuration Bluetooth sur votre smartphone ou autre appareil Bluetooth, puis scannez ou recherchez l'appareil « Lenco PDR-051 », cliquez pour vous y connecter. La connexion Bluetooth sera établie et votre smartphone ou autre dispositif Bluetooth pourra être utilisé avec votre Lenco PDR-051.
3. Vous pouvez désormais utiliser votre application de service de streaming préférée ou votre application de musique locale sur votre smartphone ou tout autre appareil Bluetooth connecté pour diffuser de la musique sur les enceintes Lenco PDR-051.
4. Vous pouvez appuyer brièvement sur **ENTER** pour suspendre/lancer la lecture et utiliser les touches **SKIP+/SKIP-** pour lire la chanson suivante ou précédente.
5. Le volume peut être ajusté avec le bouton **VOLUME+/VOLUME-**. **(veuillez noter que dans la plupart des cas, vous devez d'abord augmenter le volume au maximum sur le smartphone connecté ou tout autre appareil Bluetooth connecté)**

### Appel mains libres Bluetooth

Lorsque vous recevez un appel téléphonique pendant la lecture de la musique Bluetooth, la musique s'arrête. Une sonnerie retentit et un message s'affiche à l'écran. Appuyez brièvement sur **SKIP** ou sur la touche **ENTER** pour répondre à l'appel. L'écran affiche « HFP RUN ». Vous pouvez parler à travers le microphone interne situé à l'avant du PDR-051.

Pour terminer la conversation, appuyez brièvement sur **SKIP** ou sur la touche **ENTER**. Pour rejeter un appel entrant, appuyez longuement sur « **SKIP** » ou « **ENTER** » quand l'appel arrive.

### REMARQUE :

« **Ce produit est doté d'une fonction de réception bluetooth, vous ne pouvez pas l'utiliser pour transmettre un son bluetooth : cela signifie que vous pouvez recevoir sans fil un signal sonore bluetooth d'une source externe comme un smartphone. »**

Adaptateur d'alimentation (uniquement pour l'Europe)  
Utilisez exclusivement le bloc d'alimentation indiqué dans les instructions d'utilisation

Informations	Valeur et précision
Nom ou marque du fabricant, enregistrement commercial et adresse	Shenzhen Fushigang Technology Co., Ltd
Référence du modèle	AS0601A-0500600EUU
Tension d'entrée	100-240V AC
Fréquence du CA d'entrée	50Hz/60Hz
Tension de sortie	DC 5,0V +/-5%
Courant de sortie	0,6A
Puissance de sortie	3,0W
Rendement moyen en mode actif	>=69,64%
Rendement à faible charge (10 %)	>=61,05%
Consommation électrique sans charge	<=0,1W

### Caractéristiques du produit

- Puissance de sortie max : 6 W
- Rapport signal/bruit : ≥70 dBA
- Distorsion : <1 %
- Réponse en fréquence : 100 HZ-18 KHZ
- Mode d'entrée audio : DAB, FM, BT, USB, TF, AUX
- Haut-parleurs : Magnétisme interne de 52 mm (4Ω/3W\*2)
- Pile : Pile au lithium-ion 18650 3,7 V/1800 mAh
- Sensibilité d'entrée maximale USB/Micro SD : 0 dBm
- Sensibilité de l'entrée de réception DAB : -95 dBm
- Sensibilité de l'entrée de réception FM : -105 dBm
- Température de fonctionnement : -10° C-50° C
- Température de stockage : -20° C ~ +70° C
- Dimensions de l'appareil : 110 mm/145 mm/80 mm
- Poids net: Environ 760 g



## 1. Garantie

Lenco propose un service et une garantie conformément à la législation européenne, ce qui signifie qu'en cas de besoin de réparation (aussi bien pendant et après la période de garantie), vous pouvez contacter votre revendeur le plus proche.

Remarque importante : il n'est pas possible de renvoyer l'appareil pour réparation directement à Lenco.

Remarque importante : si l'appareil est ouvert ou modifié de quelque manière que ce soit par un réparateur non agréé, la garantie sera caduque.

Cet appareil ne convient pas à une utilisation professionnelle. En cas d'utilisation professionnelle, les obligations de garantie du fabricant seront annulées.

## 2. Clause de non-responsabilité

Des mises à jour du logiciel ou des composants informatiques sont régulièrement effectuées. Il se peut donc que certaines instructions, caractéristiques et images présentes dans ce document diffèrent légèrement de votre configuration spécifique. Tous les articles décrits dans ce guide sont fournis uniquement à des fins d'illustration et peuvent ne pas s'appliquer à une configuration spécifique. Aucun droit légal ne peut être obtenu depuis les informations contenues dans ce manuel.

## 3. Mise au rebut de l'appareil usagé



Ce symbole indique que le produit électrique concerné ainsi que les piles ne doivent pas être jetés avec les autres déchets ménagers en Europe. Pour garantir un traitement correct des piles et de l'appareil usagés, veuillez les mettre au rebut conformément aux réglementations locales en vigueur relatives aux appareils électriques et autres piles. En agissant de la sorte, vous contribuerez à la préservation des ressources naturelles et à l'amélioration des niveaux de protection environnementale concernant le traitement et la destruction des déchets électriques (directive sur les déchets des équipements électriques et électroniques).

## 4. Marquage CE

Par la présente, Commaxx B.V. Wiebachstraat 37, 6466 NG Kerkrade, Pays-Bas, déclare que ce produit est conforme aux exigences principales des directives européennes.

La déclaration de conformité peut être consultée via [techdoc@commaxxgroup.com](mailto:techdoc@commaxxgroup.com)



## 5. Service après-vente

Pour en savoir plus et obtenir de l'assistance, visitez [www.lenco.com](http://www.lenco.com)

Commaxx B.V. Wiebachstraat 37, 6466 NG Kerkrade, Pays-Bas.

### PRECAUCIÓN:

el uso de controles o ajustes distintos, o llevar a cabo procedimientos distintos a aquéllos aquí especificados puede tener como consecuencia una exposición peligrosa a la radiación.

### PRECAUCIONES PREVIAS AL USO

#### TENGA ESTAS INSTRUCCIONES EN MENTE:

1. No cubra o bloquee ninguna apertura de ventilación. Cuando coloque el dispositivo en una estantería, deje 5 cm (2") de espacio libre alrededor de todo el dispositivo.
2. Instálelo conforme al manual de usuario que se adjunta.
3. Mantenga el aparato alejado de fuentes de calor, como radiadores, calentadores, estufas, velas u otros productos que generen calor o llama viva. El aparato solo puede usarse en climas moderados. Se deben evitar los ambientes extremadamente fríos o cálidos. Temperatura de funcionamiento entre 0 ° y 35 °C.
4. Evite usar el dispositivo cerca de campos magnéticos fuertes.
5. Una descarga electrostática puede entorpecer el uso normal de este dispositivo. En tal caso, simplemente reinicie siguiendo el manual de instrucciones. Durante la transmisión de archivos, por favor manéjelo con cuidado opérela en un entorno libre de electricidad estática.
6. ¡Advertencia! Nunca inserte un objeto en el producto a través de las ventilaciones o aperturas. Alto voltaje fluye a través del producto e insertar un objeto puede provocar una descarga eléctrica y/o un cortocircuito de sus componentes internos. Por el mismo motivo, no derrame agua o líquidos en el producto.
7. No lo utilice en zonas húmedas, como cuartos de baño, cocinas en las que se forme vapor ni cerca de piscinas.
8. El aparato no debe exponerse a goteos o salpicaduras y asegúrese de que se colocan sobre o cerca del aparato objetos llenos de líquidos, como jarrones.
9. No use este dispositivo cuando se pueda producir condensación. Cuando utilice la unidad en una habitación húmeda y cálida con humedad, pueden generarse gotas de agua o condensación dentro de la unidad y es posible que no funcione correctamente; apague la unidad durante 1 o 2 horas antes de encenderla de nuevo: el aparato debe estar seco antes de conectarse a una fuente de alimentación.
10. Aunque este dispositivo está fabricado con el máximo cuidado y comprobado varias veces antes de salir de fábrica, todavía es posible que se puedan producir problemas, al igual que con todos los aparatos eléctricos. Si observa la aparición de humo, una acumulación excesiva de calor o cualquier otro fenómeno inesperado, deberá desconectar inmediatamente el enchufe de la toma de corriente.
11. Este dispositivo debe funcionar con una fuente de alimentación que se especifica en la etiqueta de especificaciones. Si no está seguro del tipo de alimentación que se usa en su hogar, consulte con el distribuidor o una compañía eléctrica local.
12. Manténgalo alejado de los animales. A algunos animales les gusta morder los cables de alimentación.
13. Para limpiar el dispositivo use un paño seco y suave. No utilice líquidos disolventes ni con base de petróleo. Para eliminar manchas difíciles, puede usar un paño húmedo con detergente diluido.
14. El proveedor no asume ninguna responsabilidad por daños o datos perdidos provocados por un funcionamiento incorrecto, uso incorrecto, modificación del dispositivo o sustitución de la batería.
15. No interrumpa la conexión cuando el dispositivo esté formateando o transfiriendo archivos. En caso contrario, los datos se pueden estropear o perder.
16. Si la unidad dispone de función de reproducción USB, se debe conectar la memoria USB directamente en la unidad. No utilice cables de extensión USB ya que pueden crear interferencias que causen una pérdida de datos.
17. La etiqueta de calificación aparece marcada en el panel inferior o posterior del dispositivo.
18. Este aparato no está diseñado para su uso por personas (incluyendo niños) con discapacidades físicas, sensoriales o mentales o con falta de experiencia o conocimientos, salvo que estén bajo la supervisión o hayan recibido formación sobre el uso correcto del dispositivo por parte de una persona responsable de su seguridad.
19. Este producto está diseñado para un uso no profesional únicamente y no para un uso comercial o industrial.
20. Asegúrese de que la unidad esté fijada en una posición estable. La garantía no cubrirá los daños derivados de usar este producto en una posición inestable, vibraciones o golpes o por no seguir otras advertencias o precauciones que aparecen en este manual de usuario.
21. Nunca retire la carcasa del dispositivo.
22. Nunca coloque este dispositivo sobre otro equipo eléctrico.
23. Mantenga las bolsas de plástico fuera del alcance de los niños.
24. Use únicamente los dispositivos/accesorios especificados por el fabricante.
25. Remita todas las reparaciones al personal cualificado. Es necesario el mantenimiento cuando el dispositivo presenta daños en cualesquiera manera, como el cable de alimentación o el enchufe, cuando se haya vertido líquido o se hayan caído objetos en el dispositivo, cuando el dispositivo se haya expuesto a la lluvia o humedad, cuando no funcione normalmente o cuando se haya caído.
26. Una larga exposición a sonidos elevados de reproductores de música personales puede provocar una pérdida de audición temporal o permanente.
27. Si el producto viene con un cable de alimentación o un adaptador de corriente de CA:

- Si se produce cualquier problema, desconecte el cable de alimentación CA y remítase al mantenimiento de personal cualificado.
  - No pise o pince el adaptador de alimentación. Tenga mucho cuidado, en especial cerca de las tomas y el punto de salida del cable. No coloque objetos pesados en el adaptador de alimentación, ya que pueden dañarlo. ¡Mantenga el dispositivo fuera del alcance de los niños! Si juegan con el cable de alimentación, puede sufrir lesiones graves.
  - Desconecte el dispositivo durante tormentas eléctricas o cuando no vaya a usarse durante periodos prolongados de tiempo.
  - La salida de la toma debe instalarse cerca del equipo y debe ser fácilmente accesible.
  - No sobrecargue las tomas CA o los cables de extensión. La sobrecarga puede provocar un incendio o una descarga eléctrica.
  - Los dispositivos con construcción de Clase 1 deben estar conectados a una toma de corriente con una conexión a tierra protegida.
  - Los dispositivos con construcción Clase 2 no requieren una conexión a tierra.
  - Sujete siempre el enchufe cuando los extraiga de la toma de corriente. No tire del cable de alimentación. Esto puede provocar un cortocircuito.
  - No utilice un cable de alimentación o enchufe deteriorado o una toma suelta. Si lo hace, podría provocar un incendio o una descarga eléctrica.
28. Si el producto contiene o se entrega con un mando a distancia que contiene pilas de botón / celdas:
- Advertencia:
- “No ingiera la pila, riesgo de quemadura química” o frase equivalente.
  - [El mando a distancia que se suministra] Este producto contiene una pila de tipo botón/moneda. Si la pila se traga, puede provocar graves quemaduras internas en sólo 2 horas y podría ocasionar la muerte.
  - Mantenga las pilas nuevas o usadas fuera del alcance de los niños.
  - Si el compartimiento de las pilas no se cierra correctamente, deje de usar el producto y no lo deje al alcance los niños.
  - Si tiene la sospecha de que una pila ha sido ingerida o se encuentra en algún lugar del cuerpo, busque inmediatamente atención médica.
29. Precaución sobre el uso de las pilas:
- Existe riesgo de explosión si la pila no se sustituye correctamente. Sustitúyala únicamente con otra del mismo tipo u otro equivalente.
  - No se pueden exponer las pilas a temperaturas extremadamente altas o bajas, baja presión de aire a gran altitud durante el uso, almacenamiento o transporte.
  - Si cambia las pilas por otras que no son las correctas, se puede producir una explosión o la fuga de líquidos o gases inflamables.
  - Si arroja las pilas al fuego o a un horno caliente, o aplasta o corta mecánicamente una pila, podría provocar una explosión.
  - Si deja las pilas en un lugar con temperaturas extremadamente altas, se puede producir una explosión o una fuga de líquido o gas inflamable.
  - Si se exponen las pilas a una presión de aire extremadamente baja, se puede producir una explosión o la fuga de líquidos o gases inflamables.
  - Se debe prestar atención a los aspectos medioambientales sobre la eliminación de baterías.

#### INSTALACIÓN

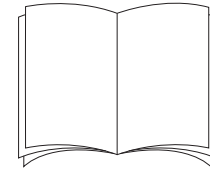
- Desembale todas las piezas y retire el material protector.
- No conecte la unidad a la corriente eléctrica antes de comprobar la tensión de la corriente y antes de que se hayan hecho todas las demás conexiones.

## Accesorios

- Mando a distancia



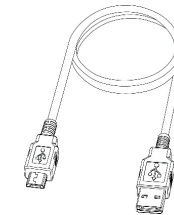
- Manual del usuario



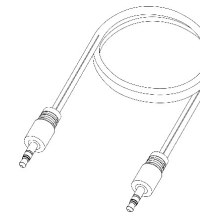
- Adaptador eléctrico



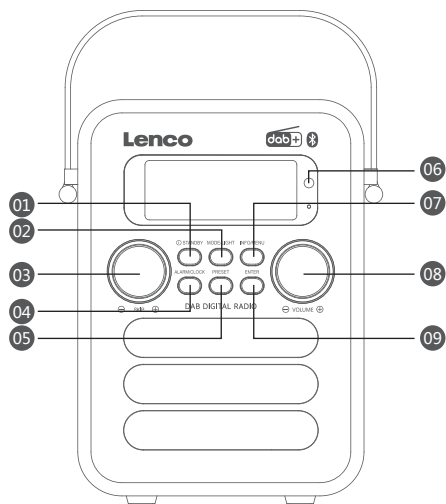
- Cable de carga USB



- Cable AUXILIAR



## VISTA DEL PRODUCTO



### 1. ESPERA

En todos los modos:

- Púlselo brevemente para entrar en modo en espera
- Púlselo durante un periodo prolongado de tiempo para encenderlo o apagarlo.

Cuando se activa la alarma: Púlselo brevemente para cancelar la alarma y entrar en apagado o en modo en espera

### 2. MODO/LUZ

Pulsación breve: cambia el modo a

DAB/FM/AUX/BT/USB/SD

Pulsación larga: Cambia el brillo de la pantalla (bajo/medio/alto)

### 3. SALTAR +/-:

En modo DAB: Gírelo a la izquierda / derecha para moverse por la lista de emisoras. Girarlo a la izquierda / derecha y mantenerlo pulsado hará que avance rápidamente por la lista de emisoras.

En modo FM: Gírelo a la izquierda / derecha para sintonizar. Gírelo a la izquierda / derecha y manténgalo pulsado para hacer una búsqueda automática de la siguiente emisora fuerte.

En modo Menú: Gírelo a la izquierda / derecha para moverse a través de las opciones del menú

En modo BT/USB/SD: Gírelo a la izquierda / derecha reproducir la pista anterior / siguiente

### 4. RELOJ/ALARMA

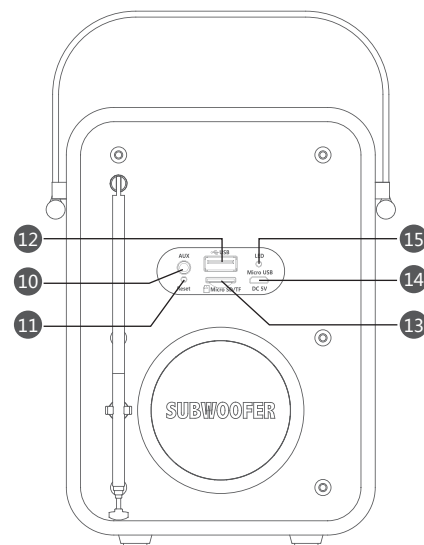
En todos los modos: Púlselo brevemente para configurar la Alarma1, 2, 3 o 4

### 5. PREDEFINIDA

En modo DAB/FM: Púlselo brevemente para mostrar la lista de emisoras presintonizadas. Pulse PRESET durante un periodo prolongado de tiempo para guardar la emisora de radio actual como presintonía.

EN MODO USB/ SD: Púlselo brevemente para seleccionar Reproducción individual /reproducción aleatoria /reproducir todo

6. Ventana de recepción del mando a distancia de infrarrojos



### 7. INFO/MENÚ

Púlselo brevemente múltiples veces para mostrar información diferente.

Púlselo durante un periodo prolongado de tiempo para entrar en el menú de configuración. Vuélvalo a pulsar brevemente para salir del menú activo.

### 8. Volumen +/-

Gírelo a la izquierda / derecha para aumentar / disminuir Pulse brevemente el botón VOLUME para silenciar / dar volumen al sonido.

### 9. Intro/BÚSQUEDA AUTOMÁTICA

En modo menú: púlselo brevemente para confirmar la selección actual

En modo USB/tarjeta SD: púlselo brevemente para reproducir / hacer una pausa en la funcionalidad

Modo BT: Púlselo brevemente para reproducir / hacer una pausa

Modo DAB: Manténgalo pulsado para iniciar la búsqueda automática

Modo FM: Púlselo brevemente para buscar hasta la siguiente emisora de radio encontrada. Pulsarlo durante un periodo prolongado de tiempo inicia la búsqueda automática y guarda las emisoras de radio que encuentre como presintonías.

### 10. AUX

### 11.Reinicio

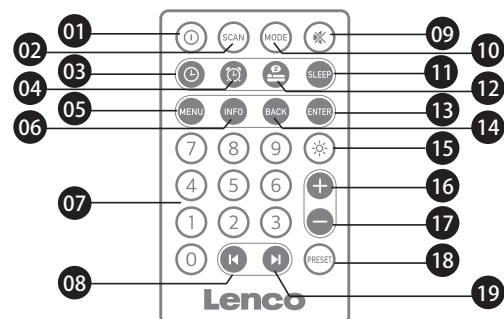
### 12.USB

### 13. Micro SD/TF

### 14. Micro USB

### 15. LED

## Vista del mando a distancia



1. Pulse brevemente el botón en espera: Entra en el modo función / en espera
2. Modo DAB/FM: Púlselo brevemente para buscar emisoras de radio
3. Tecla de configuración del RELOJ: Púlselo brevemente para entrar en la interfaz de configuración del reloj
4. Tecla ALARM: Púlselo brevemente – entra en el estado de configuración de la alarma
5. Tecla MENÚ: Púlselo brevemente para entrar en la configuración del menú
6. Botón INFO: Púlselo brevemente para mostrar diversa información
7. Teclas NUMÉRICAS: Combine las teclas numéricas 0-9 para seleccionar la emisora de radio o número de canción
8. Anterior  
Modo DAB: Púlselo brevemente — selecciona la emisora anterior  
Manténgalo pulsado – para moverse hacia atrás rápidamente  
Modo FM: Púlselo brevemente – sintoniza hacia atrás  
Manténgalo pulsado – busca automáticamente hacia atrás  
Modo menú: Púlselo brevemente – se mueve hacia atrás
9. Botón SILENCIO: Silencia / da volumen al altavoz
10. Botón MODO: selecciona DAB/FM/BT/USB o el modo TF/SD
11. En todos los modos, púlselo brevemente para configurar la función de retardo:  
DESCONECTADO/15/30/45/60/75/90/120 minutos
12. Botón RETARDO: Cuando suene la alarma, púlselo brevemente para entrar en la función retardo.  
En la función de retardo, púlselo brevemente para seleccionar un tiempo de retardo diferente
13. Tecla ENTRAR  
Modo DAB y FM: Función OK  
Modo BT: función reproducción / pausa.  
En modo menú: Confirma la selección actual
14. Tecla ATRÁS: Púlselo brevemente para volver hacia atrás un paso
15. Tecla BRILLO: Tecla de ajuste del brillo de la pantalla LCD. Púlselo brevemente para seleccionar entrar 3 niveles de brillo
16. Tecla VOL +: Aumente el volumen
17. Tecla VOL -: Disminuye el volumen
18. Tecla PRESINTONÍA
19. Tecla SALTAR+

## Uso de la radio

### Encendido / apagado usando el modo DAB por primera vez:

Cuando use el PDR-051 extienda completamente la antena para obtener una mejor recepción de la señal FM/DAB.

Pulse brevemente el botón **STANDBY** para encender la radio y entrar automáticamente en el modo DAB. Si esta es la primera vez que la radio ha entrado en modo DAB, buscará automáticamente y guardará las emisoras DAB que estén disponibles en su área local.

La radio sincronizará automáticamente la fecha y la hora con la señal DAB que haya encontrado. Una vez que ha finalizado la búsqueda, gire el dial SKIP para seleccionar una emisora y pulse el botón **ENTER** para confirmarlo. Se empezará a reproducir la emisora seleccionada.

### Radio FM

Pulse el botón **MODE** para cambiar a modo Fm. En modo FM, mantenga pulsado el botón enter para iniciar la búsqueda automática que busca y guarda las emisoras de radio que encuentre. En caso de que se deba ajustar la señal de recepción, puede girar **SKIP +/-** para ajustar la frecuencia manualmente.

Puede guardar su emisora de radio favorita como una presintonía, pulsando durante un periodo prolongado de tiempo el botón **PRESET**. Gire **SKIP** para seleccionar el número de presintonía donde desee guardarlo y después, pulse el botón **ENTER** para guardarlo en la ubicación seleccionada. Para seleccionar una sintonía previamente guardada, pulse brevemente el botón **PRESET** para mostrar la lista de presintonías, después, gire **SKIP** para seleccionar la frecuencia de la emisora de radio y pulse el botón **ENTER** para confirmar su selección.

### En espera:

Pulse brevemente el botón **STANDBY** para entrar en el modo **STANDBY** mientras usa el modo reproducción. Cuando está en modo en espera, la pantalla solo mostrará la fecha / hora y las alarmas configuradas (activas).

En modo en espera, puede pulsar el botón **INFO/MENU** para configurar la hora, fecha, alarma y otras cosas.

Para volver a encender el dispositivo, vuelva a pulsar brevemente el botón **STANDBY**.

Pulse durante un periodo prolongado de tiempo **STANDBY** para apagar completamente el PDR-051. No se mostrará la fecha, hora y alarma y las alarmas activas no se activarán.

**NOTA: Use únicamente el modo en espera cuando el PDR-051 esté conectado al adaptador de la alimentación.**

### Cargar:

El PDR-051 puede cargarse mientras está encendido o apagado; se recomienda que se use el cargador que se suministra (salida: 5V CC, 600mA) use el cable micro USB que se suministra para la carga. La luz del indicador LED situado en la parte posterior se roja al cargarse y la luz es verde cuando la batería está completamente cargada.

### Configuración de menú

En los diferentes modos de reproducción, puede pulsar durante un periodo prolongado de tiempo el botón **INFO/MENU** para entrar en la configuración del menú del modo activo. Gire **SKIP +/-** para resaltar un elemento del submenú y pulse el botón **ENTER** para entrar en el submenú. Si solo hay un menú en el submenú, pulse el botón **ENTER** para confirmar la opción resaltada. Para volver al menú anterior, pulse **INFO/MENU**.

### Configurar la fecha y la hora manualmente

Si el PDR-051 no puede encontrar una señal para sincronizar la hora automáticamente, puede configurar la fecha y la hora manualmente.

Para hacerlo, mantenga pulsado el botón **INFO/MENU** o el botón **ALARM&CLOCK**; gire **SKIP** para seleccionar la fecha / hora y pulse **ENTER**. Gire **SKIP** para ajustar la fecha. Pulse el botón **ENTER** para confirmarlo y posteriormente repítalo para configurar el mes, año, hora y minutos

Una vez que haya configurado la fecha y la hora, el menú saldrá automáticamente al menú anterior. La fecha / hora que haya configurado se guardará automáticamente. Pulse el botón "INFO/MENU" para volver paso a paso o pulse durante un periodo prolongado de tiempo **Info/Menu** para salir del menú.

#### Actualización automática /Configurar 12/24 horas/Configurar opciones del formato de fecha

**Set Time/Date (Definir hora/fecha):** Configurar el sistema de hora, Configurar el formato de fecha, Actualización automática

**Configurar hora /Configurar hora / fecha de la fecha.** 01-01-2021 0.0=00

**Actualización automática:** Seleccione Actualizar desde la radio o Sin actualizar

**Configurar sistema horario:** Seleccione 12 horas o 24 horas

**Ajustar el formato de fecha:** Seleccione dd-mm-aaaa, mm-dd-aaaa, aaaa-mm-dd

#### Configuración del despertador

Para configurar el despertador, pulse brevemente el botón del reloj **ALARM** para entrar en la interfaz de configuración de la alarma; gire **SKIP** para seleccionar alarma 1 o alarma 2, 3 o 4. Tras seleccionar la alarma que desee, pulse brevemente el botón **ENTER** y gire **SKIP** para seleccionar: Las opciones de configuración

Hora/Fuente/Repetir/Volumen/CONECTADA/DESCONECTADA.

**Time (Hora):** Seleccione el tiempo girando **SKIP** y después pulse **ENTER** para confirmarlo

**Tiempo de la alarma:** 15/30/45/60/75/90/120 minutos

**Fuente:** FM, DAB, Pitido, SD, USB

**Repetir:** Existen las opciones Una vez / Diariamente / Fines de semana / Días laborables

**Volumen:** Seleccione el valor del volumen girando **SKIP** a la izquierda y a la derecha.

**Alarma ENCENDIDA / APAGADA:** Opción On/Off; pulse el botón **ENTER** para confirmarlo. Tras la configuración, pulse el botón **INFO/MENU** para salir de la configuración de la alarma. Cuando suene la alarma, el sonido aumenta gradualmente hasta llegar el volumen configurado. Pulse brevemente el botón **ENTER** para ajustar el tiempo de la cuenta atrás del retardo y para activar la función de retardo; pulse brevemente el botón **STANDBY** para apagar la alarma cuando suene.

Advertencia: Se aconseja no usar la alarma en el modo batería para evitar que se agote antes de la hora establecida! Es mejor usar la alarma cuando el dispositivo esté conectado a la fuente de alimentación externa mediante un cable USB.

#### Función DAB

Si el PDR-051 entra en modo DAB por primera vez, la radio buscará automáticamente las emisoras de radio disponibles en la zona local. Si la radio ya ha buscado emisoras de radio con anterioridad, puede mantener pulsado el botón **ENTER** para volver a buscar emisoras automáticamente

Una vez que se ha completado la búsqueda de emisoras, gire **SKIP** para moverse arriba y abajo en las emisoras de la lista de emisoras; pulse **ENTER** para seleccionar la emisora; gire **VOLUME** para ajustar el volumen apropiado.

Pulse brevemente **VOLUME** para silenciar / dar volumen.

Pulse brevemente el botón **INFO/MENU** para ver la información actual de la radio, la información del texto, la fuerza de la señal, el tipo de programa, el nombre del episodio, el número / frecuencia del canal, la tasa de error de la señal, la velocidad de bits, la fecha y la hora, etc.

#### Guardar una emisora DAB como presintonía

Mantenga pulsado el botón **PRESET** para entrar en la interfaz de guardado de presintonías de emisoras de radio. Gire **SKIP** para mover la posición de la presintonía guardada arriba y abajo. Gire el botón "**SKIP**" y pulse el botón **ENTER** para guardar la emisora de radio en la posición actual. Pulse brevemente el botón **PRESET** para entrar en la interfaz de recuperación de la emisora de radio y después gire **SKIP** para seleccionar una emisora de radio guardada como presintonía. Pulse el botón **ENTER** para confirmarlo y reproducirlo.

También puede usar los botones numéricos del 0-9 del mando a distancia para seleccionar la emisora de radio guardada como presintonía para reproducirla.

**Nota: Dispone de un total de 40 emisoras de radio presintonizadas.**

#### INFORMACIÓN IMPORTANTE ACERCA DE LA RECEPCIÓN DE DAB+

##### La recepción de radio DAB+ es diferente de la FM.

- En FM, a veces se puede recibir una señal débil, pero, probablemente, con crujidos o chasquidos.
- La recepción de DAB+ funciona de forma digital, así que, si no hay suficiente señal, no se escucha nada. No hay silbidos ni crujidos como con FM. Esto no es problema de la radio, sino de que no hay suficiente señal de DAB+ en ese lugar.
- La regla de DAB+ es: si no hay recepción o es muy débil, no hay sonido.

##### ¿Qué puede hacer si no tiene una recepción de DAB+ directa?

- Siempre apunte la antena hacia arriba.
- No coloque la radio cerca de fuentes potenciales de interferencias, como cargadores de baterías, máquinas rotativas, ordenadores, grandes superficies de metal, etc.
- Aleje la radio unos metros.
- Enciéndala y active la búsqueda completa en el menú de DAB+
- En la pantalla de la radio, verá el progreso de la búsqueda y el número de emisoras encontradas en la posición actual de la radio.

##### Importante

- Con la recepción de DAB+, puede haber una gran diferencia en el nivel de recepción en unos pocos metros. Si tiene una señal de DAB+ débil, mueva la radio para encontrar una señal más fuerte.
- Si se lleva la radio a otro sitio, vuelva a realizar una búsqueda completa. Esto le mostrará qué emisoras de DAB+ se pueden recibir allí.

##### Función de FM

Encienda el PDR-051 y cambie el modo radio FM

Pulse durante un periodo prolongado de tiempo el botón **ENTER** para iniciar la búsqueda automática, que busca y guarda las emisoras de radio que encuentre. Gire **SKIP** para resaltar las emisoras de radio guardadas y pulse **ENTER** para reproducir la emisora que desee

Pulse brevemente el botón **INFO/MENU** para ver información sobre la emisora actual, información de texto, tipo de programa, nombre fijado, información del canal, tipo de ecualizador, nivel de batería, fecha y hora.

##### Guardar una emisora FM como presintonizada

Mantenga pulsado el botón **PRESET** para entrar en la interfaz de guardado de presintonías de emisoras de radio. Gire **SKIP** para mover la posición de la presintonía guardada arriba y abajo. Gire el botón "**SKIP**" y pulse el botón **ENTER** para guardar la emisora de radio en la posición actual. Pulse brevemente el botón **PRESET** para entrar en la interfaz de recuperación de la emisora de radio y después gire **SKIP** para seleccionar una emisora de radio guardada como presintonía. Pulse el botón **ENTER** para confirmarlo y reproducirlo. También puede usar los botones numéricos del 0-9 del mando a distancia para seleccionar la emisora de radio guardada como presintonía para reproducirla.

**Nota: Dispone de un total de 40 emisoras.**

### MODO Auxiliar

Puede conectar cualquier dispositivo de audio a través del conector de entrada AUXILIAR de 3.5mm usando un cable de audio de 3.5mm.

### Reproducción de USB/tarjeta SD

Encienda el PDR-051 y pulse el botón "MODE" varias veces hasta que aparezca en la pantalla USB (o SD) y después puede reproducir música insertando una memoria USB o canciones en una tarjeta Micro SD con formato MP3, WAV, FLAC, WMA, APE.

Gire **VOLUME** para ajustar el volumen; pulse brevemente el botón **VOLUME** para alternar entre conectar silenciar o desconectar silenciar.

Gire **SKIP** para cambiar a la pista anterior o siguiente; mantenga pulsado **SKIP** para rebobinar o avanzar rápidamente la canción; pulse brevemente el botón **ENTER** para reproducir o hacer una pausa.

También puede usar los botones numéricos 0-9 del mando a distancia para seleccionar canciones para la reproducción.

Durante la reproducción, pulse brevemente el botón **INFO/MENU** para ver la información de la canción que se está reproduciendo actualmente (nombre de la canción, pista actual / pista total, tiempo de reproducción actual / hora del tiempo de la pista actual total, etc.)

### Modo Bluetooth

1. Pulse brevemente el botón **MODE** varias veces hasta que aparezca en la pantalla "BT". Después de unos segundos, mostrará el texto "Disconnected (Desconectado)": (si no se ha emparejado ningún dispositivo con anterioridad). La unidad está lista para las conexiones Bluetooth.
2. Para conectar el dispositivo Bluetooth, abra primero la configuración Bluetooth del smartphone u otro dispositivo Bluetooth y después escanee o busque el dispositivo "Lenco PDR-051"; haga clic en conectar con "Lenco PDR-051". Se realizará la conexión Bluetooth y pueden usarse el smartphone u otro dispositivo Bluetooth con el Lenco PDR-051.
3. Ahora puede usar la aplicación de su servicio de reproducción favorito o su aplicación de música local de su smartphone u otros dispositivo Bluetooth para reproducir música a través de los altavoces Lenco PDR-051.
4. Puede pulsar brevemente el botón **ENTER** para reproducir / hacer una pausa y usar el botón **SKIP+/SKIP-** para reproducir la canción siguiente o anterior.
5. El volumen puede ajustarse con el botón **VOLUME+/VOLUME-**. **(tenga en cuenta que en la mayoría de los casos es necesario que primero suba el volumen al máximo del smartphone conectado u otros dispositivo Bluetooth)**

### Llamada manos libres Bluetooth

Cuando reciba una llamada de teléfono mientras se está reproduciendo música Bluetooth, la música se detendrá. Un sonido de llamada será el corazón y se mostrará un mensaje en la pantalla. Pulse brevemente el botón **SKIP** o el botón **ENTER** para responder la llamada. La pantalla mostrará 'HFP RUN'.

Puede hablar a través del micrófono interno situado en la parte delantera del PDR-051

Para finalizar una conversación, pulse brevemente el botón **SKIP** o el botón **ENTER**.

Para rechazar una llamada entrante, pulse durante un periodo prolongado de tiempo "SKIP" o "ENTER" cuando entre la llamada.

### NOTA:

**Este producto dispone de una función de recepción bluetooth, no puede transmitir ningún sonido bluetooth con ella: esto significa que puede recibir de forma inalámbrica una señal de sonido bluetooth desde una fuente externa como un smartphone.**

Adaptador de corriente (Sólo para la UE)

Use únicamente la alimentación que se enumera en las instrucciones del usuario

Información	Valor y precisión
Nombre de los fabricantes o marcas registradas, registro comercial y dirección	Shenzhen Fushigang Technology Co., Ltd
Identificador del modelo	AS0601A-0500600EUU
Tensión de entrada	100-240V AC
Frecuencia CA de entrada	50Hz/60Hz
Tensión de salida	DC 5,0V +/-5%
Corriente de salida	0,6A
Potencia de salida	3,0W
Eficiencia activa media	>=69,64%
Eficiencia a carga baja (10%)	>=61,05%
Consumo energético sin carga	<=0,1W

### Especificaciones del producto

- Potencia de salida máxima: 6W
- Proporción Señal/Ruido: ≥70dB
- Distorsión: ≤1%
- Respuesta de frecuencia: 100HZ-18KHZ
- Modo de entrada de audio: DAB, FM, BT, USB, TF, AUX
- Unidad conductora: Magnetismo interno 52mm (4Ω/3W\*2)
- Pilas: Batería de iones de litio de 18650 3.7V/1800mAh
- Sensibilidad de entrada máxima USB/Micro SD: 0dBm
- Sensibilidad de entrada de recepción DAB: -95dBm
- Sensibilidad de entrada de recepción FM: -105dBm
- Temperatura de funcionamiento: -10°C-50 °C
- Temperatura de almacenamiento: -20°C ~ +70 °C
- Tamaño de la unidad: 110mm/145mm/80mm
- Peso neto: Aproximadamente 760 g

### 1. Garantía

Lenco ofrece servicio y garantía en cumplimiento con las leyes de la Unión Europea, lo cual implica que, en caso de que su producto precise ser reparado (tanto durante como después del periodo de garantía), deberá contactar directamente con su distribuidor.

Nota importante: No es posible enviar sus reparaciones directamente a Lenco.

Nota importante: Si la unidad es abierta por un centro de servicio no oficial, la garantía quedará anulada.

Este aparato no es adecuado para el uso profesional. En caso de darle un uso profesional, todas las obligaciones de garantía del fabricante quedarán anuladas.

## 2. Exención de responsabilidad

Regularmente se llevan a cabo actualizaciones en el Firmware y en los componentes del hardware. Por esta razón, algunas de las instrucciones, especificaciones e imágenes incluidas en este documento pueden diferir ligeramente respecto a su situación particular. Todos los elementos descritos en esta guía tienen un objetivo de mera ilustración, y pueden no ser de aplicación en su situación particular. No se puede obtener ningún derecho ni derecho legal a partir de la descripción hecha en este manual.

## 3. Eliminación del antiguo dispositivo



Este símbolo indica que no deberá deshacerse del producto eléctrico o batería en cuestión junto con los residuos domésticos, en el ámbito de la UE. Para garantizar un tratamiento residual correcto del producto y su batería, por favor, elimínelos cumpliendo con las leyes locales aplicables sobre requisitos para el desecho de equipos eléctricos y baterías. De hacerlo, ayudará a conservar recursos naturales y mejorar los estándares de protección medioambiental en el tratamiento y eliminación de residuos eléctricos (Directiva sobre la Eliminación de Equipos Eléctricos y Electrónicos).

## 4. Marca CE

Por la presente, Commaxx B.V. Wiebachstraat 37, 6466 NG Kerkrade, Países Bajos, declara que este producto cumple con las exigencias esenciales de las directivas de la UE.

La declaración de conformidad puede consultarse mediante [techdoc@commaxxgroup.com](mailto:techdoc@commaxxgroup.com)



## 5. Servicio

Para obtener más información y soporte del departamento técnico, por favor, visite la página web [www.lenco.com](http://www.lenco.com)

Commaxx B.V. Wiebachstraat 37, 6466 NG Kerkrade, Países Bajos.