

# DEEP FRYER MASTERCOOK DIGITAL



Item: 207345  
207352  
207369  
207376

You should read this user manual carefully before using the appliance.

Bevor Sie das Gerät in Betrieb nehmen, sollten Sie diese Gebrauchsanweisung aufmerksam lesen.

Alvorens de apparatuur in gebruik te nemen dient u deze gebruiksaanwijzing aandachtig te lezen.

Przed uruchomieniem urządzenia należy koniecznie dokładnie przeczytać niniejszą instrukcję obsługi.

Lisez attentivement ce mode d'emploi avant d'utiliser l'appareil .

Prima di utilizzare l'apparecchio in funzione leggere attentamente le istruzioni per l'uso.

Citiți cu atenție prezentul manual de utilizare înainte de folosirea aparatului.

Внимательно прочитайте руководство пользователя перед использованием прибора.

Πρέπει να διαβάσετε αυτές τις οδηγίες χρήσης προσεκτικά πριν χρησιμοποιήσετε τη συσκευή.



Keep these instructions with the appliance.  
Diese Gebrauchsanweisung bitte beim Gerät aufbewahren.  
Bewaar deze handleiding bij het apparaat.  
Zachowaj instrukcję urządzenia  
Gardez ces instructions avec cet appareil.  
Conservate le istruzioni insieme all'apparecchio.  
Păstrați manualul de utilizare alături de aparat.  
Хранить руководство вместе с устройством.  
Φυλάξτε αυτές τις οδηγίες μαζί με τη συσκευή.



For indoor use only.  
Nur zur Verwendung im Innenbereich.  
Alleen voor gebruik binnenshuis.  
Do użytku wewnątrz pomieszczeń.  
Pour l'usage à l'intérieur seulement.  
Destinato solo all'uso domestico.  
Doar pentru uz la interior.  
Использовать только в помещениях.  
Για χρήση μόνο σε εσωτερικό χώρο.



Dear Customer,

Thank you for purchasing this HENDI appliance. Before using the appliance for the first time, please read this manual carefully, paying particular attention to the safety regulations outlined below.

## Safety Regulations

- Incorrect operation and improper use of the appliance can seriously damage the appliance and injure users.
- This appliance is intended to be used for commercial applications, for examples, in kitchens of restaurants, canteens, hospitals and in commercial enterprises such as bakeries, butcheries, etc., but not for mass production of food.
- This appliance is only intended for deep frying food only.
- Keep the appliance and electrical plug away from water and any other liquids. In the unlikely event that the appliance should fall into water, immediately pull the plug out of the socket and have the appliance checked by a certified technician. Not following these instructions could give rise to life-threatening situations.
- Never try to open the casing of the appliance yourself.
- Do not insert any objects in the casing of the appliance.
- Do not touch the plug with wet or damp hands.
- Regularly check the plug and cord for any damage. Should the plug or cord be damaged have it/them repaired by a certified repair company.
- Do not use the appliance after it has fallen or is damaged in any other way. Have it checked and repaired, if necessary, by a certified repair company.
- Do not try to repair the appliance yourself. This could give rise to life-threatening situations.
- Make sure the cord does not come in contact with sharp or hot objects and keep it away from open fire. To pull the plug out of the socket, always pull on the plug and not on the cord.
- Make sure that no one can accidentally pull the cord (or extension cord) loose or trip over the cord
- Always keep an eye on the appliance when in use.
- Children do not understand that incorrect use of electrical appliances can be dangerous. Therefore, never let children use electrical appliances.
- Always pull the plug out of the socket when the appliance is not being used and always before cleaning.
- Warning! As long as the plug is in the socket the appliance is connected to the power source.
- Turn off the appliance before pulling the plug out of the socket.
- Never carry the appliance by the cord.
- Do not use any extra devices that are not supplied along with the appliance.
- Only connect the appliance to an electrical outlet with the Voltage and frequency mentioned on the appliance label.


EN



- Avoid overloading.
- Turn off the appliance after use by removing the plug from the socket.
- Always remove the plug from the socket when filling or cleaning the appliance.
- The electrical installation must comply with the applicable national and local regulations.
- This appliance is not intended for use by persons (including children) with reduced physical, sensory or mental capabilities, or lack of experience and knowledge.

---

## Special safety precautions

- This appliance is intended only for deep frying appropriate food such as fries, etc in commercial use. Any other use may lead to damage of the appliance or personal injury.
- This appliance is intended to be used for commercial applications, for example in kitchens of restaurants, canteens, hospitals and in commercial enterprises such as bakeries, butcheries, etc. , but not for continuous mass production of food. And it should be operated by trained personnel.
-  **Caution! Hot surface!** The temperature of the accessible surface is very hot during use. Touch the icons on the control panel only.
- When this appliance is to be positioned in close proximity to a wall, partitions, kitchen furniture, decorative finishes, etc., it is recommended that they are made of non-combustible material; if not, they shall be clad with a suitable non-combustible heat insulating material, and that the closest attention be paid to fire prevention regulations.
- Do not place the appliance on a heating object (gasoline, electric, charcoal cooker, etc.). Keep the appliance away from any hot surfaces and open flames. Always operate the appliance on a level, stable, clean, heat-resistant and dry surface.
- Do not use the appliance near explosive or flammable materials, credit cards, magnetic discs or radios.
- This appliance is not intended to be operated by means of an external timer or separate remote-control system.
- **WARNING:** Danger of fire exists if oil level below “L” (Min) marking or no oil in the oil container.
- **WARNING:** Do not fry too wet foodstuffs and too much food at each time to avoid excessive foaming and spill out of oil. Maximum batch load is approximately 1kg.
- Allow at least 20 cm spacing around the appliance for ventilation purpose during use.
- Only use suitable oil or fat for frying. Replace the oil or fat at regular intervals. Overcooked or dirty oil or fat can be ignited if it is overheated.”
- Do not use plastic cutlery during operation.
- **Danger!** Never use old oil, old oil has a reduced flash point and is more prone to surge boiling which increases the risk of fire and dangerous situations.
- Always clean the appliance and other accessories after each use (-->Cleaning and maintenance).
- Do not use water jet, flush directly with water or steam cleaner as the parts will get wet and electric shock might be resulted.

- Caution! Securely route the power cord if necessary in order to prevent unintentional pulling or contact with the heating surface.
- Do not wash the appliance with water. Washing can cause leakages and increase the risk of electric shock.
- Do not clean or store the appliance unless it is completely cooled down.
- No part is dishwasher safe.
- Always remove the plug from the socket when filling or cleaning the deep fryer.
- The electrical installation must satisfy the applicable national and local regulations.
- The Fryer tank and element should be placed in a safe position in your kitchen before usage due to the hot contents when in use.
- To avoid the risk of fire, do not allow the oil level to drop below the L- mark (MIN level). Always use plenty of oil in the oil container.

---

### Grounding installation

This appliance is classified as protection class I appliance and must be connected to a protective ground. Grounding reduces the risk of electric shock by providing an escape wire for the electric

current. This appliance is equipped with a cord having a grounding wire with a grounding plug. The plug must be plugged into an outlet that is properly installed and grounded.

---

### Preparations before using for the first time

- Check to make sure the appliance is undamaged. In case of any damage, contact your supplier immediately and do NOT use the appliance.
- Remove all the packing material and protection film (if applicable).
- Clean the appliance with luke-warm water and a soft cloth.
- Place the appliance on a level and steady surface, unless mentioned otherwise.
- Make sure there is enough clearance around the appliance for ventilation purposes.
- Position the appliance in such a way that the plug is accessible at all times.

EN

---

### Installation

- Place the appliance on a level, stable, clean, heat-resistant and dry surface with its rubber feet.
- Carefully install the back support with heating element on the rear edge of the oil container.

Note:

1. Make sure that the pin on the back support is in the correct position & properly mounted.
2. The appliance should be placed in a safe position in your kitchen before use due to hot hazard when in use.



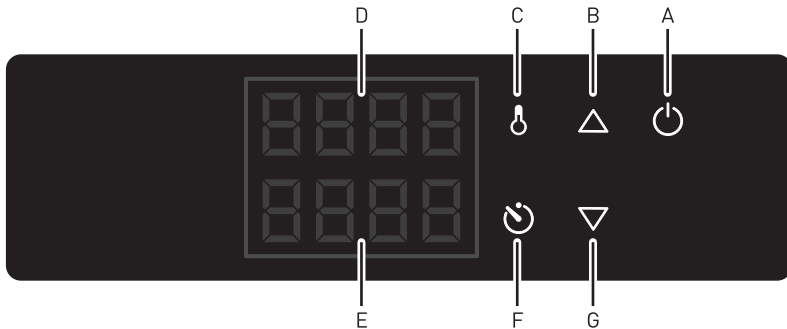
## Main parts of the appliance



- 1. Control panel
- 2. Detachable back support with heating element
- 3. Base unit with oil container
- 4. RESET button (At the rear and bottom of the back support)
- 5. Lid cover
- 6. Oil drain tap (Supplied for item 207369 and 207376 only)
- 7. Feet
- 8. Frying basket with handle
- 9. Frying basket holder

EN

## Function keys on the control panel



- A) ON/OFF switch
- B) Increase icon (To increase the temperature & timer setting)
- C) TEMPERATURE icon
- D) Upper display
- E) Lower display
- F) TIMER icon
- G) Decrease icon (To decrease the temperature & timer setting)



---

## Use

- Make sure the oil drain tap is closed.
- Remove the plug from the socket.
- Make sure the oil container is clean and dry and no water inside.
- Carefully fill the container with oil between the "L" marking (Min) and the "H" marking (Max).
- Plug the earthed plug into an earthed socket.
- You can now use the deep fryer.

---

## Deep-frying

The deep fryer is designed with a unique cold zone to allow crumbs and residue to sink to the bottom this also enables the usable life of the fat/oil to extend considerably.

Regularly check if there is sufficient oil or fat in the container. The level should never be below the "L" marking (Min) line.

---

## Operation

### 1. Setting the TEMPERATURE

- 1.1 Fill the container with oil and make sure that the oil level is between the "L" and "H" mark. Note: Remember that placing food in the oil will also raise the oil level. Do not put too wet foodstuffs or large amount of food at each time.
- 1.2 Connect the power plug to a suitable electrical power outlet.
- 1.3 Press the ON/OFF Icon & light up. The INCREASE / DECREASE icon will blink. The upper display will show the current SET TEMPERATURE. (TEMPERATURE range: 25°C ~ 195°C).
- 1.4 Press INCREASE or DECREASE icon to start heating operation. The upper display will show the ACTUAL TEMPERATURE of the oil. And the TEMPERATURE icon will blink constantly.
- 1.5 You can also press TEMPERATURE icon to see the last SET TEMPERATURE for 1 ~ 2 seconds. Within this period, press INCREASE or DECREASE icon to adjust the SET TEMPERATURE if need. Press INCREASE / DECREASE icon once for +1,0°C / - 1,0°C. Press & hold for fast adjustment. After stop pressing for about 2 ~ 3 seconds, the new SET TEMPERATURE will be stored automatically.
- 1.6 Under heating operation, the TEMPERSTURE icon will blink constantly until the SET TEMPERATURE is reached. After reaching the SET TEMPERATURE, the TEMPERATURE icon light will go off and keep within a range of  $\pm 2^{\circ}\text{C}$ .
- 1.7 When switch off the appliance, "oFF" will be shown on the upper display and "Hot" will be shown on the lower display.

### 2. Setting the TIMER

- 2.1 During operation, you can activate the TIMER function.
  - 2.2 Press and hold the TIMER button for 2 ~ 3 seconds to enter TIMER set mode. The INCREASE/ DECREASE icon will blink.
  - 2.3 Then, within 1 ~ 2 seconds, press INCREASE or DECREASE icon to set the TIMER. Press once for +30 seconds / -30 seconds and lower display will show the set countdown time for TIMER. Press and hold the INCREASE or DECREASE icon for fast adjustment (TIMER Range: 30 seconds ~ 20 mins).
  - 2.4 The newly set TIMER will be stored and start countdown within about 2 ~ 3 seconds.
  - 2.5 When count down is finished, "End" will be blinked continuously on the lower display. Two short beep sounds will be heard with about 10 seconds duration for over period of 1 minute.
  - 2.6 Press the TIMER button once to return to the last preset time. Press again the TIMER button to enter TIMER set mode for changing the time. The INCREASE/DECREASE icon will blink. The newly set TIMER will be stored and start count-down again within about 2 ~ 3 seconds.
  - 2.7 During counting down, press and hold the TIMER icon for 2 ~ 3 seconds to cancel counting mode. "oFF" will be shown on the lower display.
- Attention: The frying basket holder is just for temporarily holding for excess oil discharge only. Do not hold too long time to prevent from fall down accidentally and spill out of heated oil.



## Calibration function

This function allows the user to calibrate and adjust the "display temperature" align with the "actual temperature". A calibrated thermometer with probe is required [not included] for measurement.

- During operation, press and hold both the INCREASE and DECREASE buttons for 5 ~ 6 seconds to enter "calibration mode".
- Then, the "display temperature" shown on the display will blink constantly.

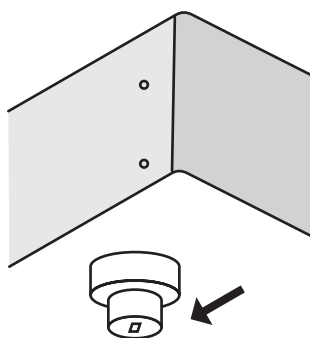
- Next, put the thermometer (not included) inside the oil tank for comparison. Be careful as the oil is hot.
- When under steady situation, press INCREASE or DECREASE button to align the "display temperature" with the reading in the thermometer (not included).
- After that, press TEMPERATURE icon to confirm it after finishing calibration.

## RESET the Hi-limiter (thermal cut-out)

Please note that the RESET button is located at the bottom of the detachable back support with a protective cap (See line drawing to avoid overheat.)

- Unplug the deep fryer from the electrical outlet first.
- Allow the deep fryer to completely cool down.
- Remove the detachable back support from the support.
- Unscrew the black protective cap of the RESET button.
- Press the RESET button of the Hi-limiter (thermal cut-out). You should hear a click sound.
- Screw back the protective cap on the RESET button.

- Reinstall the detachable back support on the support.



## Deep frying tips

- Only use liquid frying oil (preferably) or fat.
- The recommended temperature for frying chips and snacks is 175°C max.
- Heat the oil slowly. Preferably in 3 steps for example first at 100°C, then from 100-140°C and later from 140°C to 175°C with 15 minute breaks between steps.
- Remove ice and crumbs from frozen foods.
- Do not deep-fry too much at one time. This can cause the oil or fat to cool down too much. Cooled down oil/fat does not properly sear the surface of

the food, so that more fat will be absorbed. The ideal proportion of frozen products to frying oil/fat is 1:10 maximum.

- When used intensively, crumbs and other debris should be filtered out of the oil/fat.
- Replace oil or fat in time. Use test strips or test equipment regularly to track when oil/fat should be replaced.
- If oil or fat starts to foam, smoke or gets too viscous you should replace it. Also replace the oil/fat when it has a strong smell or taste.

## After use

- Turn off the appliance by pressing the ON/OFF icon and removing the plug from the socket.
- Remove the basket from the oil container. This avoids the basket becoming stuck in the solidified fat.

- Put the lid on the deep fryer, so that the fat does not age.



## Cleaning and maintenance

- Always remove the plug from the socket cool down completely before cleaning the appliance.
- Beware: Never immerse the appliance in water or any other liquid!
- Clean the outside of the appliance with a damp cloth (water with mild detergent).
- Never use aggressive cleaning agents or abrasives. Do not use any sharp or pointed objects. Do not use petrol or solvents! Clean with a damp cloth and detergent if necessary. Do not use abrasive materials.
- Do not clean the appliance with steam cleaner or water jet.
- Assemble the appliance after cleaning and make sure that the heating & control panel is mounted properly, otherwise the appliance will not function.

## Technical Specification

Item no	207345	207352	207369	207376
Operating voltage & frequency	230V~ 50Hz			
Rated input power	3500W	2 x 3500W	3500W	2 x 3500W
Capacity	8L	2 x 8L	8L (with tap)	2 x 8L (with tap)
Protection class	Class I			
Waterproof protection class	IPX3			
Timer range	30 seconds ~ 20 minutes			
Temperature range	25°C ~ 195°C			
Exterior dimension	300x455x(H)345mm	605x455x(H)345mm	300x515x(H)345mm	605x515x(H)345mm

EN

**Remarks: Technical specification is subjected to change without prior notification.**

## Troubleshooting

**If the appliance does not function properly, please check the below table for the solution. If you are still unable to solve the problem, please contact the supplier/service provider.**

Fault	Symptom	Possible cause	Possible solution
Appliance does not do anything	Orange light doesn't light	No mains voltage	Check the electrical installation. Switch light defective
		Hi-limiter (thermal cut-out) tripped.	Reset the Hi-limiter (thermal cut-out) (See RESET on page 8)
		Hi-limiter (thermal cut-out) defective	Contact your supplier
		Thermostat defective	Contact your supplier
Appliance does not reach the set temperature.	Long frying time.	Thermostat defective	Contact your supplier
		Element defective	Contact your supplier

**If after these controls, the malfunctioning continues, it is advisable to contact technical assistance. In case of any doubt, always contact your supplier!**



---

## Warranty

Any defect affecting the functionality of the appliance which becomes apparent within one year after purchase will be repaired by free repair or replacement provided the appliance has been used and maintained in accordance with the instructions and has not been abused or misused in any way. Your statutory rights are not affected. If the appliance is claimed under warranty, state where and

when it was purchased and include proof of purchase (e.g. receipt).

In line with our policy of continuous product development we reserve the right to change the product, packaging and documentation specifications without notice.

---

## Discarding & Environment

At the end of the life of the appliance, please dispose of the appliance according to the regulations and guidelines applicable at the time.

Throw packing materials like plastic and boxes in the appropriate containers.

Sehr geehrte Kundin, sehr geehrter Kunde,

wir danken Ihnen für den Kauf des Gerätes Hendi. Machen Sie sich bitte mit dieser Anleitung noch vor der Inbetriebnahme des Gerätes vertraut, um Schäden durch die unsachgemäße Bedienung zu vermeiden. Den Sicherheitsregeln ist besondere Aufmerksamkeit zu widmen.

## Sicherheitsvorschriften

- Die unsachgemäße Bedienung des Geräts kann zur schweren Beschädigung des Geräts sowie zu Verletzungen führen.
- Das Gerät ist für den gewerblichen Gebrauch bestimmt, zum Beispiel in Restaurants, in Kantinen, Krankenhausküchen sowie in Unternehmen wie Bäckereien, Fleischereien usw., aber es ist nicht für eine Massenproduktion von Lebensmitteln vorgesehen.
- Das Gerät ist ausschließlich zum Frittieren bestimmt.
- Vermeiden Sie den Kontakt mit Wasser oder anderen Flüssigkeiten. Den Stecker unverzüglich aus dem Stecker ziehen und das Gerät von einem anerkannten Fachmann prüfen lassen, wenn das Gerät unbeabsichtigterweise ins Wasser fällt. Bei Nichteinhaltung dieser Sicherheitsvorschriften besteht Lebensgefahr.
- Versuchen Sie nie eigenständig das Gehäuse des Geräts zu öffnen.
- In das Gehäuse des Gerätes keine Gegenstände einführen.
- Den Stecker nicht mit nassen oder feuchten Händen berühren.
- Den Stecker regelmäßig auf eventuelle Schäden hin prüfen. Beschädigte Stecker oder Kabel von einer zugelassenen Reparaturwerkstatt reparieren lassen.
- Das Gerät nicht mehr benutzen, wenn es heruntergefallen ist oder sonst wie beschädigt wurde. Das Gerät von einer zugelassenen Reparaturwerkstatt prüfen und gegebenenfalls reparieren lassen.
- Nicht versuchen, das Gerät eigenständig zu reparieren. Es besteht Lebensgefahr.
- Das Kabel von scharfen und heißen Gegenständen sowie von offenem Feuer fernhalten. Beim Rausziehen des Steckers stets am Stecker und nicht am Kabel ziehen.
- Beachten Sie, dass das (Verlängerungs-) Kabel nicht versehentlich gelöst wird, dass man nicht darüber stolpern kann.
- Das Gerät bei Bedienung stets überwachen.
- Kinder kennen die Gefahr der unsachgemäßen Bedienung elektrischer Geräte nicht. Kinder daher niemals unbeaufsichtigt elektrische Geräte bedienen lassen!
- Den Stecker rausziehen wenn das Gerät nicht benutzt wird und auch vor jeder Reinigung.
- Gefahr! Befindet sich der Stecker in der Steckdose, wird das Gerät mit Netzspannung versorgt.
- Das Gerät ausschalten, bevor Sie den Stecker ziehen.
- Das Gerät nie am Kabel tragen.
- Keine zusätzlichen Hilfsmittel benutzen, die nicht mit dem Gerät mitgeliefert wurden.
- Das Gerät darf nur an eine Steckdose angeschlossen werden mit dem auf dem Typenschild angegebene Spannung und Frequenz.
- Überlastung ist zu vermeiden.

DE



- Das Gerät ist nach dem Gebrauch auszuschalten, indem der Stecker aus der Steckdose herausgezogen wird.
- Vor dem Nachfüllen oder Reinigen ist immer der Stecker aus der Steckdose herauszuziehen.
- Die elektrische Anlage hat den nationalen und regionalen Vorschriften zu entsprechen.
- Dieses Gerät eignet sich nicht für den Gebrauch durch Personen (gilt auch für Kinder) mit geringerer Motorik, Sensorik oder geistiger Fähigkeit oder mangelhafter Erfahrung und Wissen.

## Spezielle Sicherheitsvorschriften

- Das Gerät dient nur zum Ausbacken von bestimmten Lebensmittelarten (z.B. Pommes frites) in tiefem Fett für gewerbliche Zwecke. Die Verwendung dieses Gerätes zu irgendeinem anderen Zweck kann zu seiner Beschädigung bzw. zu Körperverletzungen führen.
- Das Gerät ist für den kommerziellen Gebrauch geeignet, zum Beispiel in Restaurants, Kantinen, Krankenhausküchen und solchen Unternehmen, wie Bäckereien, Fleischereien usw. Es ist aber nicht für die Massenproduktion von Nahrungsmitteln bestimmt. Das Gerät ist ausschließlich durch ein geschultes Personal zu bedienen.
-  **Achtung! Heiße Fläche!** Während des Betriebs ist die Temperatur der zugänglichen Oberfläche des Geräts sehr hoch. Berühren Sie ausschließlich die Tasten des Steuerpanels.
- Wenn das Gerät in unmittelbarer Nähe zu einer Wand, Trennwänden, Küchenmöbeln, dekorativen Oberflächen usw. gestellt werden soll, empfiehlt es sich ihre Bedeckung mit feuerbeständigen Materialien; wenn dieses aber nicht möglich ist, sind diese Oberflächen mit einem geeigneten nicht brennbaren, wärmedämmenden Material bekleidet, wobei die Brandschutzvorschriften zu beachten sind.
- Stellen Sie das Gerät nicht auf einen wärmemittehenden Gegenstand (Gasherd, Elektroherd, Grill, usw.). Lagern Sie es weit entfernt von heißen Flächen oder offenem Feuer. Stellen Sie das Gerät auf eine ebene, stabile, saubere und trockene Fläche auf, die auch gegen die Einwirkung hoher Temperaturen beständig ist.
- Das Gerät darf auch in der Nähe von explosiven oder leichtbrennbaren Materialien, Geldkarten, Magnetplatten oder Rundfunkempfängern nicht verwendet werden.
- Das Gerät ist für die Bedienung durch einen externen Timer oder ein gesondertes Fernsteuersystem nicht geeignet.
- **WARNUNG:** Wenn der Ölstand im Behälter unter die L-Markierung (Minimalwert) greift oder wenn der Behälter leer ist, besteht eine Brandgefahr.
- **WARNUNG:** Backen Sie im Gerät keine Lebensmittel aus, die viel Wasser enthalten, um so das Schäumen und Überschwappen des Öls zu verhindern. In die Ausbackkammer kann man maximal 1 kg der Lebensmittel einlegen.
- Belassen Sie einen Freiraum von mindestens 20 cm rundum das Gerät, um eine richtige Belüftung zu gewährleisten.

- Verwenden Sie ausschließlich das Bratöl. Tauschen Sie regelmäßig Öl oder Fett im Behälter aus. Altes oder verschmutztes Öl kann sich nach seinem Aufwärmen auf eine zu sehr hohe Temperatur brennen.
- Verwenden Sie kein Besteck aus Kunststoff während des Betriebs des Geräts.
- Gefahr! Verwenden Sie niemals Altöl, da es einen niedrigeren Flammpunkt hat und für das plötzliche Sieden anfälliger ist, was das Risiko von Feuer oder gefährlichen Situationen erhöht.
- Reinigen Sie das Gerät und sein Zubehör nach jedem Gebrauch (--> Reinigung und Wartung).
- Reinigen Sie das Gerät nicht mit einem Wasserstrahl unter Druck oder einem Dampfreiniger, spülen Sie das Gerät nicht mit Wasser ab, da die Teile im Gerät feucht werden oder eingetaucht werden können, was den Stromschlag verursacht.
- Achtung! Führen und sichern Sie entsprechend das Stromkabel, um ein unbeabsichtigtes Ziehen oder Berühren der erhitzten Oberfläche zu vermeiden.
- Reinigen Sie das Gerät nicht mit Wasser. Beim Waschen des Geräts kann Wasser in den elektrischen Teil gelangen und so zu einem Stromschlag führen.
- Reinigen und stellen Sie das Gerät nicht am Lagerort ab, bis es nicht völlig abgekühlt ist.
- Die Teile des Geräts dürfen in der Spülmaschine nicht gereinigt werden.
- Ziehen Sie den Stecker aus der Steckdose, bevor das Gerät gereinigt oder gefüllt wird.
- Die Elektroanlage muss entsprechende nationale und örtliche Anforderungen erfüllen.
- Stellen Sie sich sicher, dass sich der Ölbehälter und das Heizelement an einer sicheren Stelle in der Küche wegen einer hohen Temperatur des Geräts während des Betriebs befinden.
- Um eine eventuelle Brandgefahr zu vermeiden, sollte der Ölstand im Behälter nicht niedriger als der markierte Minimalstand (L) sein. Sorgen Sie immer für die ausreichende Ölmenge im Behälter.

### Montage der Erdung

Der Mixer ist ein Gerät der I. Schutzklasse und erfordert eine Erdung. Die Erdung verringert das Risiko eines Stromschlags, da der elektrische Strom über den Schutzleiter abgeleitet wird. Das Gerät ist

mit einem Schutzleiter mit Erdungskontakt ausgerüstet. Der Stecker muss an die Netzsteckdose angeschlossen werden, die entsprechend montiert und geerdet wurde.

### Vorbereitung der Inbetriebnahme

- Das Gerät auf Schäden hin prüfen. Setzen Sie sich im Beschädigungsfall sofort mit Ihrem Lieferanten in Verbindung und benutzen Sie das Gerät NICHT.
- Die gesamte Verpackung und eventuell vorliegende Schutzfolie entfernen.
- Das Gerät mit lauwarmem Wasser und einem weichen Tuch reinigen.
- Das Gerät waagrecht hinstellen sofern nicht anders angegeben ist.
- Um das Gerät herum sollte ausreichender Freiraum vorliegen.
- Das Gerät so aufstellen, dass der Stecker jederzeit abgezogen werden kann.



## Montage

- Das Gerät ist mit Gummifüßen ausgestattet. Stellen Sie das Gerät auf eine ebene, stabile, saubere und trockene Fläche auf, die auch gegen die Einwirkung hoher Temperaturen beständig ist.
- Montieren Sie vorsichtig die hintere Stütze des Geräts mit dem Heizelement hinten am Ölbehälter.

## Achtung:

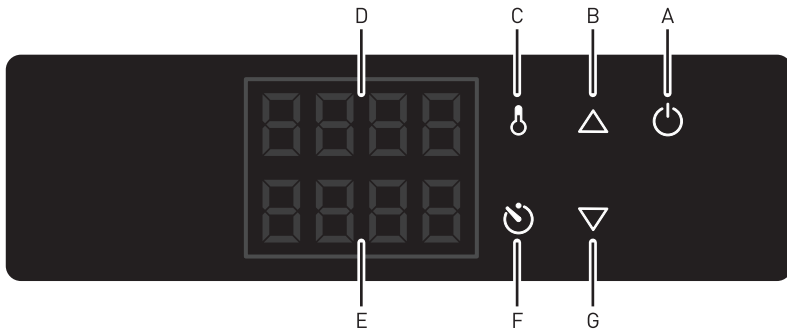
1. Stellen Sie sich sicher, dass der Bolzen an der hinteren Stütze des Geräts richtig befestigt wurde.
2. Bevor Sie mit dem Betrieb beginnen, stellen Sie sich sicher, dass sich der Ölbehälter und das Heizelement an einer sicheren Stelle in der Küche wegen einer hohen Temperatur des Geräts während des Betriebs befinden

## Hauptteile des Gerätes



1. Steuerpanel
2. Abnehmbare hintere Stütze des Geräts mit Heizelement
3. Haupteinheit mit Ölbehälter
4. Rückstelltaste (im hinteren, unteren Teil der hinteren Stütze)
5. Deckel
6. Ölablasshahn (nur Modelle 207369 und 207376)
7. Füße
8. Frittierkorb mit Griff
9. Halteleiste des Frittierkorbs

## Steuerpanel



A) EIN-/AUS-Schalter

B) Taste für die Erhöhung der Werte (Temperatur & Timer)

C) TEMPERATUR-Taste

D) Oberes Display

E) Unteres Display

F) TIMER-Taste

G) Taste für die Verringerung der Werte (Temperatur & Timer)

### Betrieb

- Stellen Sie sich sicher, dass der Ölablasshahn geschlossen ist.
- Ziehen Sie den Stecker aus der Steckdose.
- Prüfen Sie, ob der Ölbehälter sauber ist und es kein Wasser im Gerät gibt.
- Füllen Sie vorsichtig den Behälter mit Öl - der

Ölstand sollte sich zwischen der L-Markierung (Minimalwert) und H-Markierung (Maximalwert) befinden.

- Stecken Sie den Schukostecker in eine geerdete Steckdose.
- Sie können jetzt frittieren.

### Frittieren

Die Fritteuse besitzt einen einzigartigen Kältebereich, wodurch Backreste und Krümel auf den Boden sinken und das Fett wesentlich länger hält.

Kontrollieren Sie regelmäßig, ob sich genug Öl oder Fett im Behälter befindet. Der Füllstand darf nie unter die L-Markierung (Minimalwert) geraten.

### Bedienung

#### 1. Einstellung der TEMPERATUR

1.1 Füllen Sie den Behälter mit Öl und stellen Sie sich sicher, dass sich der Ölstand zwischen der L- und H-Markierung befindet. Achten Sie darauf, dass der Ölstand durch die Zugabe der Lebensmittel steigt. Legen Sie weder nasse Lebensmittel noch zu viele Lebensmittel auf einmal in den Behälter ein.

1.2 Schließen Sie den Stecker an die entsprechende Elektrosteckdose an.

1.3 Drücken Sie die Taste „EIN/AUS“ - die Taste leuchtet auf. Die Tasten für die ERHÖHUNG und VERRINGERUNG der Werte beginnen zu blinken. Auf dem oberen Display erscheint die letzte eingestellte Temperatur. (Temperaturbereich: 25°C ~ 195°C).

1.4 Drücken Sie die Tasten für die ERHÖHUNG oder VERRINGERUNG der Werte, um mit dem Erhitzungsvorgang zu beginnen. Auf dem oberen Display erscheint die AKTUELLE TEMPERATUR von Öl. Die Taste der TEMPERATUR wird dauerhaft blinken.



1.5 Sie können auch die Taste der TEMPERATUR wählen, um für 1-2 Sekunden die letzte EINGESTELLTE TEMPERATUR aufzuzeigen. Drücken Sie mittlerweile die Taste für die ERHÖHUNG oder VERRINGERUNG der Temperatur, um die EINGESTELLTE TEMPERATUR zu ändern (falls notwendig). Drücken Sie die Taste für die ERHÖHUNG oder VERRINGERUNG der Temperatur einmal, um die Temperatur um 1 °C zu erhöhen oder zu verringern. Drücken und halten Sie gedrückt die Taste, um den eingestellten Wert schneller zu ändern. Mit dem Freigeben der Taste wird die NEUE TEMPERATUR nach Ablauf von ca. 2-3 Sekunden automatisch eingestellt.

## 2. Einstellung des TIMERS

2.1 Während des Betriebs des Geräts kann man die TIMER-Funktion einstellen.

2.2 Drücken und halten Sie gedrückt die TIMER-Taste für 2-3 Sekunden, um in den Modus der TIMER-Einstellung zu gehen. Die Tasten für die ERHÖHUNG und VERRINGERUNG der Werte beginnen zu blinken.

2.3 Drücken Sie innerhalb von 1-2 Sekunden die Taste für die ERHÖHUNG oder VERRINGERUNG der Werte, um die Zeit des TIMERS einzustellen. Das einmalige Drücken der Taste ändert den angegebenen Wert um 30 Sekunden - in der unteren Linie des Displays wird die aktuelle Einstellungszeit des TIMERS aufgezeigt. Drücken und halten Sie gedrückt die Taste für die ERHÖHUNG oder VERRINGERUNG der Werte, um die gewünschten Werte schneller einzustellen (TIMER-Bereich: 30 Sekunden - 20 Minuten).

2.4 Die neu eingestellte Zeit des TIMERS wird gespeichert und nach 2-3 Sekunden wird das Abzählen begonnen.

1.6 Beim Erhitzen wird die Taste der TEMPERATUR blinken, bis das ÖL die EINGESTELLTE TEMPERATUR erreicht. Nach dem Erreichen der EINGESTELLTEN TEMPERATUR, erlischt die Taste der TEMPERATUR und das Gerät wird die EINGESTELLTE TEMPERATUR ( $\pm 2$  °C) aufrechterhalten.

1.7 Nach dem Ausschalten des Geräts erscheint in der oberen Linie des Displays die Mitteilung „OFF“, und in der unteren Linie des Displays - „Hot“.

2.5 Nach Beendigung des Abzählens erscheint in der unteren Linie des Displays die Mitteilung „End“. Für etwa 1 Minute werden zwei kurze Signaltöne emittiert (bis zu 10 Sekunden).

2.6 Drücken Sie einmalig die TIMER-Taste, um zur letzten eingestellten Zeit zurückzukehren. Drücken Sie die TIMER-Taste erneut, um in den TIMER-Einstellmodus zu gehen und die eingestellte Zeit zu ändern. Die Tasten für die ERHÖHUNG und VERRINGERUNG der Werte beginnen zu blinken. Die neu eingestellte Zeit des TIMERS wird gespeichert und nach 2-3 Sekunden wird das Abzählen erneut begonnen.

Achtung: Die Halteleiste des Frittierkorbs dient zum vorübergehenden Halten des Korbs beim Abseihen des überschüssigen Öls. Stützen Sie den Korb auf die Halteleiste nicht zu lange, um so ein eventuelles Herabfallen und Verschütten des heißen Öls zu verhindern.



## Kalibrierung

Diese Funktion ermöglicht es dem Benutzer, die „Anzeigetemperatur“ zu kalibrieren und einzustellen, damit sie der „Ist-Temperatur“ entspricht. Um die Messung vorzunehmen, ist das Thermometer mit Sonde (nicht mitgeliefert) erforderlich.

- Drücken und halten Sie gedrückt die beiden Tasten für die ERHÖHUNG und VERRINGERUNG der Werte für 5-6 Sekunden während des Betriebs des Geräts, um den „Kalibrierungsmodus“ zu betätigen.
- Die „Anzeigetemperatur“ auf dem Display beginnt zu blinken.

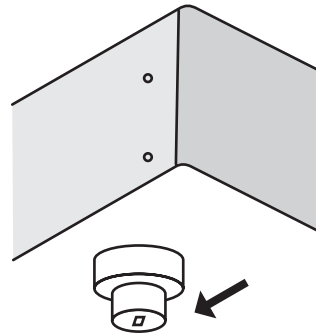
- Legen Sie das Thermometer (nicht mitgeliefert) in den Ölbehälter ein, um die Ergebnisse zu vergleichen. Seien Sie vorsichtig: das Öl im Behälter ist heiß.
- Ändern Sie die „Anzeigetemperatur“ mit den Tasten für die ERHÖHUNG und VERRINGERUNG der Werte entsprechend der Ablesung des Thermometers (nicht mitgeliefert).
- Zwecks der Bestätigung ist die Taste der TEMPERATUR nach Beendigung der Kalibrierung zu drücken.

## Rückstelltaste der Thermosicherung (Überhitzungssicherung)

Denken Sie daran, dass sich die Rückstelltaste (Überhitzungssicherung) im unteren Teil der abnehmbaren hinteren Stütze befindet und mit einem Aufsatz gesichert ist (siehe Abbildung).

- Trennen Sie zuerst das Gerät von der Stromquelle, indem Sie den Stecker aus der Steckdose ziehen.
- Lassen Sie das Gerät völlig abkühlen.
- Demontieren Sie die abnehmbare hintere Stütze von der Haupteinheit
- Schrauben Sie die schwarze Schutzkappe der Rückstelltaste ab.
- Drücken Sie die Rückstelltaste der Überhitzungsschutz (Thermische Abschaltung). Es ist ein Klicken zu hören.

- Schrauben Sie die schwarze Schutzkappe der Rückstelltaste wieder auf.
- Befestigen Sie wieder die abnehmbare hintere Stütze an der Haupteinheit.



DE

## Tipps zum Frittieren

- Verwenden Sie flüssiges Bratöl (vorzugsweise) oder -fett.
- Die empfohlene Frittier-Temperatur ist max. 175° C.
- Erhitzen Sie das Öl langsam in drei Stufen, zum Beispiel zuerst auf 100° C, auf 140° C und auf 175° C, mit je einer 15-minütigen Unterbrechung.
- Entfernen Sie Eis und Krümel vom gefrorenen Frittiergut.

- Frittieren Sie nicht zu viel auf einmal, dass kann eine Abkühlung des Fettes bzw. des Öles verursachen. Zu kaltes Öl/Fett kann von den Speisen aufgesogen werden, ideales Verhältnis ist max. 1:10.
- Filtern sie nach Verwendung die Krümel und andere Reste aus dem Öl/Fett.
- Wechseln das Öl/Fett regelmäßig. Benutzen Sie Teststreifen oder Ähnliches zur regelmäßigen Kontrolle.
- Falls Das Öl/Fett zu schäumen, rauchen, oder zu stinken beginnt wechseln Sie es.



## Nach dem Gebrauch

- Schalten Sie das Gerät aus, indem Sie den Schalter ausschalten und den Stecker aus der Steckdose herausziehen.
- Nehmen Sie den Korb aus dem Ölbehälter heraus. So setzt sich der Korb im geronnenen Fett nicht fest
- Legen Sie den Deckel auf die Fritteuse, sodass das Fett frisch bleibt.

## Reinigung und Wartung

- Vor der Reinigung des Geräts ist es immer von der Stromquelle zu trennen und völlig abkühlen zu lassen.
- Achtung: Tauchen Sie das Gerät nicht in Wasser oder andere Flüssigkeiten ein!
- Das Gehäuse mit einem feuchten Tuch (Wasser mit einem milden Reinigungsmittel) reinigen.
- Keine aggressiven Reinigungs- oder Scheuermittel benutzen. Keine scharfen, spitzen Gegenstände benutzen. Kein Benzin und keine Lösungsmittel benutzen! Das Gerät mit einem feuchten Tuch und eventuell Spülmittel reinigen. Keine Scheuermittel benutzen.
- Die Geräte sind weder mit Hilfe eines Dampfreinigers noch mit einem Wasserstrahl zu reinigen.
- Nach dem Reinigen muss man das Gerät erneut zusammenbauen und dafür sorgen, dass das Kontrollpanel (Heizpanel) entsprechend montiert ist – andernfalls wird das Gerät nicht richtig funktionieren.

## Technische Spezifikation

Bestellnummer	207345	207352	207369	207376
Betriebsspannung und Frequenz	230V~ 50Hz			
Nennleistungsaufnahme	3500W	2 x 3500W	3500W	2 x 3500W
Volumen	8L	2 x 8L	8L (mit Ventil)	2 x 8L (mit Ventil)
Schutzklasse	Klasse I			
Wasserbeständigkeitsklasse	IPX3			
Timer-Bereich	30 Sekunden ~ 20 Minuten			
Temperaturbereich	25°C ~ 195°C			
Außenabmessungen	300x455x(H)345mm	605x455x(H)345mm	300x515x(H)345mm	605x515x(H)345mm

**Hinweis:** Die technische Spezifikation kann ohne Vorankündigung verändert werden.



## Entdeckung und Beseitigung von Mängeln

Wenn das Gerät nicht richtig funktioniert, muss man sich zum Finden der richtigen Lösung mit der nachfolgenden Tabelle vertraut machen. Wenn Sie das Problem nicht lösen können, dann setzen Sie sich bitte mit dem Lieferanten in Verbindung.

Störung	Phänomen	Ursache	evt. Lösung
Das Gerät funktioniert nicht.	Oranges Licht leuchtet nicht	Keine Netzspannung.	Kontrollieren Sie die elektrische Anlage. Schalter defekt.
		Überhitzungsschutz (Thermische Abschaltung) wurde aktiviert.	Überhitzungsschutz (Thermische Abschaltung) rücksetzen (siehe auf Seite 17)
		Überhitzungsschutz (Thermische Abschaltung) defekt.	Kontakt mit dem Lieferanten aufnehmen
		Thermostat defekt.	Kontakt mit dem Lieferanten aufnehmen
Das Gerät erreicht die eingestellte Temperatur nicht.	Lange Frittier Dauer.	Thermostat defekt.	Kontakt mit dem Lieferanten aufnehmen
		Element defekt.	Kontakt mit dem Lieferanten aufnehmen

Wenn trotz aller Kontrollen das Gerät weiterhin Störungen aufweist wenden Sie sich bitte an den Kundendienst. Setzen Sie sich im Zweifelsfall auch mit Ihrem Lieferanten in Verbindung!

## Garantie

Alle innerhalb von einem Jahr nach dem Kaufdatum festgestellten Defekte oder Mängel, die die Funktionalität des Gerätes beeinträchtigen, werden auf dem Wege der unentgeltlichen Reparatur bzw. des Austausches unter der Voraussetzung beseitigt, dass das Gerät in einer der Bedienungsanleitung gemäßen Art und Weise betrieben und gewartet wird und weder vorsätzlich vernichtet noch nicht bestimmungsgemäß genutzt wurde. Ihre Rechte aus den entsprechenden Gesetzen

bleiben davon unberührt. Eine in der Garantiefrist einzureichende Beanstandung hat die Angabe des Kaufortes und Kaufdatums und in der Anlage einen Kaufbeleg (z.B. Kassenzettel) zu enthalten.

Gemäß unserer Politik der ständigen Weiterentwicklung unserer Produkte behalten wir uns vor, Änderungen am Produkt, an seiner Verpackung und an den dokumentierten technischen Daten ohne vorherige Ankündigung vorzunehmen.

## Entsorgung und Umweltschutz

Nach Beendigung seiner Lebensdauer ist das Gerät rechtmäßig und den jeweils geltenden Richtlinien entsprechend zu entsorgen.

Verpackungsmaterial, wie Kunststoffe bzw. Schachteln, in die entsprechenden Behälter geben.



Geachte klant,

Hartelijk dank voor de aankoop van dit Hendi apparaat. Leest u deze gebruiksaanwijzing zorgvuldig voordat u het apparaat gebruikt, dit om schade door verkeerd gebruik te voorkomen. Lees vooral de veiligheidsinstructies aandachtig door.

## Veiligheidsvoorschriften

- Onjuiste bediening en verkeerd gebruik van het apparaat kan ernstige schade aan het apparaat en verwonding van personen tot gevolg hebben.
- Dit apparaat is bedoeld voor commercieel gebruik zoals bijvoorbeeld, in keukens van restaurants, kantines, ziekenhuizen en in bedrijven zoals bakkerijen, slagerijen, etc., maar dit apparaat is niet bedoeld voor massa productie van voedsel.
- Dit apparaat is enkel bedoeld voor het frituren van voedsel.
- Zorg dat het apparaat en de stekker niet met water of een andere vloeistof in aanraking komt. Mocht het apparaat onverhoopt in het water vallen, trek dan onmiddellijk de stekker uit het stopcontact en laat het apparaat controleren door een erkend vakman. Niet-naleving hiervan kan levensgevaar opleveren.
- Probeer nooit zelf de behuizing van het apparaat te openen.
- Steek geen voorwerpen in de behuizing van het apparaat.
- Raak de stekker niet met natte of vochtige handen aan.
- Controleer stekker en snoer regelmatig op eventuele beschadiging. Indien stekker of snoer beschadigd is, laat het bij een erkend reparatiebedrijf repareren.
- Gebruik het apparaat niet nadat het is gevallen of op andere wijze beschadigd is. Laat het bij een erkend reparatiebedrijf controleren en zo nodig repareren.
- Probeer het apparaat niet zelf te repareren. Dit kan levensgevaar opleveren.
- Zorg dat het snoer niet met scherpe of hete voorwerpen in aanraking komt en houd het uit de buurt van open vuur. Als u de stekker uit het stopcontact wilt trekken, pak dan altijd de stekker zelf beet en trek nooit aan het snoer.
- Zorg dat niemand het snoer (of verlengsnoer) abusievelijk kan lostrekken of erover kan struikelen.
- Houd het apparaat als u het gebruikt steeds in de gaten.
- Kinderen zien de gevaren van onjuist gebruik van elektrische apparaten niet. Laat kinderen daarom nooit zonder toezicht met elektrische apparatuur werken.
- Trek altijd de stekker uit het stopcontact als het apparaat niet wordt gebruikt en telkens voordat het wordt schoongemaakt.
- Gevaar! Zo lang de stekker in het stopcontact zit, staat het apparaat onder de netspanning.
- Schakel het apparaat uit voordat u de stekker uit het stopcontact trekt.
- Draag het apparaat nooit aan het snoer.
- Gebruik geen extra hulpmiddelen die niet bij het apparaat zijn meegeleverd.
- Sluit het apparaat alleen aan op een stopcontact met de op het typeplaatje aangegeven spanning en frequentie.

- Vermijd overbelasting.
- Schakel de apparatuur na gebruik uit door de stekker uit het stopcontact te verwijderen.
- Tijdens het bijvullen of schoonmaken altijd de stekker uit het stopcontact verwijderen.
- De elektrische installatie dient te voldoen aan de nationale en plaatselijk geldende voorschriften.
- Dit apparaat is niet geschikt voor gebruik door personen (inclusief kinderen) met een verminderd fysiek, sensorisch of geestelijk vermogen, of gebrek aan ervaring en kennis.

## Speciale veiligheidsvoorschriften

- Dit apparaat is uitsluitend bestemd voor het frituren van geschikt voedsel, zoals frites, etc. in een commerciële omgeving. Elk ander gebruik kan leiden tot schade aan het apparaat of lichamelijk letsel.
- Dit apparaat is bedoeld voor commercieel gebruik, zoals bijvoorbeeld, in keukens van restaurants, kantines, ziekenhuizen en in bedrijven zoals bakkerijen, slagerijen, etc., maar dit apparaat is niet bedoeld voor continue massaproductie van voedsel. En het moet worden gebruikt door getraind personeel.
-  **Let op! Heet oppervlak!** De temperatuur van het bereikbare oppervlak is zeer heet tijdens gebruik. Raak alleen de knoppen op het bedieningspaneel aan.
- Als dit apparaat in de buurt van muren, scheidingswanden, keukenmeubilair, decoratieve afwerkingen, etc. wordt geplaatst, wordt aanbevolen dat deze zijn gemaakt van niet-brandbaar materiaal; als dit niet het geval is, moeten ze worden gecoat met een niet-brandbare warmte-isolerend materiaal, en moet er zeer veel aandacht worden besteed aan de brandpreventievoorschriften.
- Plaats het apparaat niet op een verwarmingsvoorwerp (kooktoestel op benzine, elektriciteit, houtskool, etc.). Houd het apparaat uit de buurt van warme oppervlakken en open vuur. Gebruik het apparaat altijd op een vlakke, stabiele, schone, hittebestendige en droge ondergrond.
- Gebruik het apparaat niet in de buurt van explosieve of ontvlambare materialen, creditcards, magnetische schijven of radio's.
- Dit apparaat is niet bedoeld om gebruikt te worden in combinatie met een externe timer of apart systeem voor gebruik op afstand.
- **WAARSCHUWING:** Er bestaat brandgevaar indien de olie onder de L-markering (het minimumniveau) zakt of er geen olie in de bak zit.
- **WAARSCHUWING:** Frituur nooit te natte voedingsmiddelen of te veel voedingsmiddelen per keer om overmatig schuimen en oliespetter te voorkomen. U kunt per keer ca. 1kg in de bak plaatsen.
- Laat minimaal 20 cm ruimte vrij rond het apparaat voor voldoende ventilatie.
- Gebruik alleen olie of vet dat geschikt is voor frituren. Vervang de olie of het vet regelmatig. Te lang gebruikte of vuile olie of vet kan tot worden ontstoken wanneer het wordt oververhit."
- Gebruik geen plastic keukengerei tijdens gebruik.



- Gevaar! Gebruik nooit oude olie, omdat oude olie een gereduceerd vlampunt heeft en vatbaarder is voor overkoken, wat het risico op brand en gevaarlijke situaties verhoogt.
- Reinig het apparaat en andere accessoires altijd na elk gebruik (-->Reiniging en onderhoud).
- Gebruik geen waterstralen of stoomreiniger en spoel niet rechtstreeks af met water, omdat de onderdelen van het apparaat nat kunnen worden en dit kan leiden tot elektrische schokken.
- Let op! Plaats het netsnoer indien nodig op een veilige manier om te voorkomen dat het in contact kon komen met het verwarmingsoppervlak en dat er per ongeluk aan het netsnoer kan worden getrokken.
- Was het apparaat niet met water. Wassen kan lekkages veroorzaken en het risico op elektrische schokken verhogen.
- Niet reinigen of opbergen tenzij het apparaat volledig is afgekoeld.
- Geen van de onderdelen zijn vaatwasmachinebestendig.
- Trek de stekker altijd uit het stopcontact als u de friteuse vult of reinigt.
- De elektrische installatie dient te voldoen aan de nationale en plaatselijk geldende voorschriften.
- De oliebak en het verwarmingselement moeten vóór gebruik correct worden geplaatst en geïnstalleerd, omdat deze zeer heet worden tijdens gebruik.
- Indien de olie tot onder de L-markering (minimumniveau) zakt, ontstaat er brandgevaar. Zorg ervoor dat er altijd voldoende olie in de bak zit en controleer dit tijdens gebruik.

NL

### Installatie met aarding

Dit apparaat is geclassificeerd als beschermingsklasse I en moet worden aangesloten op een aansluiting met aarde. Aarding verlaagt de kans op elektrische schokken doordat elektrische stroom via een ontsnapingsdraad kan weglopen. Dit ap-

paraat is uitgerust met een snoer met een aarde-draad en een geaarde stekker. De stekker moet in een stopcontact worden gestoken dat juist is geïnstalleerd en geaard.

### Ingebruikname

- Controleer of het apparaat niet beschadigd is. Neem in geval van beschadiging onmiddellijk contact op met uw leverancier en gebruik het apparaat NIET.
- Verwijder al het verpakkingsmateriaal en de eventueel aanwezige beschermfolie.
- Reinig het apparaat met handwarm water en een zachte doek.
- Plaats het apparaat waterpas op een stabiele ondergrond, tenzij anders aangegeven.
- Zorg ervoor dat er rondom het apparaat genoeg ruimte vrij blijft voor de afvoer van warmte.
- Plaats het apparaat zo dat de stekker te allen tijde bereikbaar is.

### Installatie

- Plaats het apparaat met de rubberen voetjes op een vlakke, stabiele, schone, hittebestendige en droge ondergrond.
- Installeer de achtersteun met het verwarmingselement op de achterkant van de oliebak.

Opmerking:

1. Zorg ervoor dat de pin op de achtersteun zich in de juiste positie bevindt & juist is gemonteerd.
2. Het apparaat moet voor gebruik op een veilige plek in uw keuken worden geplaatst om gevaar door hoge temperaturen tijdens gebruik te voorkomen.



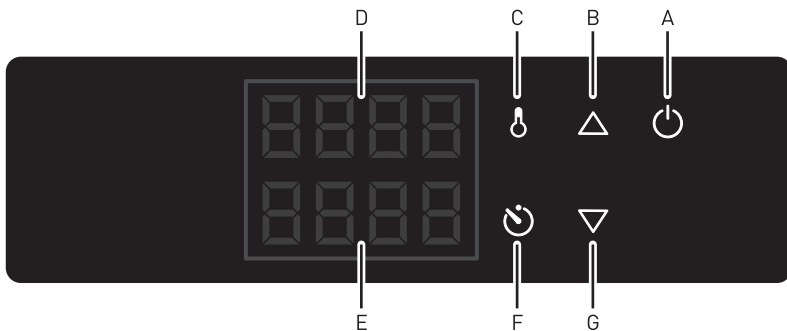
## Belangrijkste onderdelen van het apparaat



- |   |   |
|---|---|
| 1. Bedieningspaneel   | 6. Olieaftapkraan (Alleen meegeleverd bij artikel 207369 en 207376) |
| 2. Afneembare verwarmings- en bedieningsunit                      | 7. Voetjes  |
| 3. Basiseenheid met oliebak                                       | 8. Frituurmand met handgreep  |
| 4. Resetknop (Aan de achter- en onderkant van de verwarmingsunit) | 9. Mandhouder   |
| 5. Deksel   |   |

NL

## Functietoetsen op het bedieningspaneel



- |   |   |
|---|---|
| A) AAN/UIT-knop   | E) Onderste regel display   |
| B) Verhogen-knop (om de temperatuur- & timerinstelling te verhogen) | F) TIMER-knop   |
| C) TEMPERATUUR-knop   | G) Verlagen-knop (om de temperatuur- & timerinstelling te verlagen) |
| D) Bovenste regel display   |   |



## Gebruik

- Zorg ervoor dat de olieaftapkraan is gesloten.
- Trek de stekker uit het stopcontact.
- Zorg ervoor dat de oliebak leeg en droog is en dat er geen water in de bak staat.
- Vul de bak voorzichtig met olie tot tussen de L-markering (min) en H-markering (max).
- Steek de gearde stekker in een geaard stopcontact.
- De frituse is nu klaar voor gebruik.

## Frituren

De frituse is voorzien van een unieke koude zone waardoor kruimels en bakresten naar de bodem zinken en het vet aanzienlijk langer mee zal gaan.

Controleer regelmatig of er voldoende olie of vet in de bak zit. Het niveau mag nooit onder de L-markering (min) indicatie komen.

## Bediening

### 1. De TEMPERATUUR instellen

- 1.1 Vul de bak met olie en zorg ervoor dat het olie-niveau tussen de L- en H-markering staat. Opmerking: Houd er rekening mee dat het olie-niveau stijgt als u voedsel in de bak plaatst. Frituur nooit te natte voedingsmiddelen of te veel voedingsmiddelen per keer.
- 1.2 Steek de stekker in een geschikt stopcontact.
- 1.3 Druk op de AAN/UIT-knop & het lampje licht op. De knoppen VERHOGEN / VERLAGEN knippen. De bovenste regel van het display toont de INGESTELDE TEMPERATUUR. (TEMPERATUURBEREIK: 25°C ~ 195°C).
- 1.4 Druk op de knop VERHOGEN of VERLAGEN om het verwarmen te starten. De bovenste regel van het display toont de WERKELIJKE TEMPERATUUR van de olie. En de TEMPERATUUR-knop knippert constant.
- 1.5 U kunt ook op de TEMPERATUUR-knop drukken om de laatste INGESTELDE TEMPERATUUR voor 1 ~ 2 seconden te bekijken. Druk, indien gewenst, binnen deze periode op de

knop VERHOGEN of VERLAGEN om de INGESTELDE TEMPERATUUR aan te passen. Druk één keer op de knop VERHOGEN / VERLAGEN om de temperatuur met +1,0°C / - 1,0°C aan te passen. Houd ingedrukt om snel in te stellen. Nadat u niet langer op de knoppen drukt, zal de nieuw INGESTELDE TEMPERATUUR na ongeveer 2 ~ 3 seconden automatisch worden opgeslagen.

- 1.6 Tijdens het verwarmen knippert de TEMPERATUUR-knop continu tot de INGESTELDE TEMPERATUUR is bereikt. Nadat de INGESTELDE TEMPERATUUR is bereikt, zal het lampje van de TEMPERATUUR-knop uitschakelen en wordt de temperatuur binnen een bereik van  $\pm 2^\circ\text{C}$  gehouden.
- 1.7 Als het apparaat wordt uitgeschakeld, wordt de melding "oFF" getoond op de bovenste regel van het display en de melding "Hot" (heet) wordt getoond op de onderste regel van het display.

### 2. De TIMER instellen

- 2.1 U kunt tijdens gebruik de TIMER-functie activeren.
- 2.2 Houd de TIMER-knop voor 2 ~ 3 seconden ingedrukt om naar de modus voor het instellen van de TIMER te schakelen. Houd de TIMER-knop voor 2 ~ 3 seconden ingedrukt om naar de modus voor het instellen van de TIMER te schakelen. Het VERHOGEN/VERLAGEN icoon zal knipperen.
- 2.3 Druk daarna binnen 1 ~ 2 seconden op de knop VERHOGEN of VERLAGEN om de TIMER in te stellen. Druk één keer om de instelling te verho-

gen of verlagen met 30 seconden. De onderste regel van het display toont de ingestelde afteltijd van de TIMER. Houd VERHOGEN of VERLAGEN ingedrukt om de afteltijd snel in te stellen (Bereik TIMER: 30 seconden ~ 20 minuten).

- 2.4 De nieuwe TIMER wordt opgeslagen en het aftellen start binnen 2 ~ 3 seconden.
- 2.5 Als het aftellen is voltooid, zal de melding "End" continu knipperen op de onderste regel van het display. Er klinken twee korte pieptonen voor 10 seconden gedurende een periode van 1 minuut.



2.6 Druk eenmaal op de TIMER-knop om naar de laatst ingestelde tijd te gaan. Druk nog een keer op de TIMER-knop om naar de modus voor het instellen van de TIMER te schakelen en de tijd te veranderen. Het VERHOGEN/VERLAGEN icoon zal knipperen. De nieuwe TIMER wordt opgeslagen en het aftellen start binnen 2 ~ 3 seconden.

Let op: De mandhouder is alleen bedoeld voor het tijdelijk plaatsen van de frituurmand, zodat overtollig olie kan wegdruppelen. Plaats de frituurmand niet te lang op de houder om te voorkomen dat het mandje naar beneden valt en er hete olie uit de bak springt.

### Kalibratiefunctie

Deze functie kan worden gebruikt om de weergegeven "weergavetemperatuur" en "werkelijke temperatuur" te kalibreren en aan te passen. Er is een gekalibreerde thermometer met sonde vereist (niet meegeleverd) voor de meting.

- Houd de knoppen VERHOGEN en VERLAGEN tijdens gebruik voor 5 ~ 6 seconden ingedrukt om naar de "kalibratiemodus" te schakelen.
- Daarna knippert de op het display getoonde "weergavetemperatuur" continu.

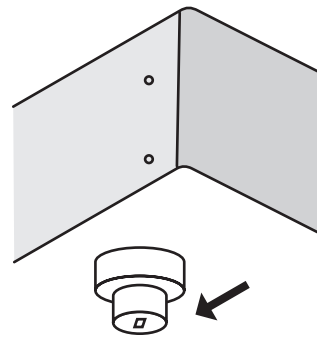
- Plaats de thermometer (niet meegeleverd) vervolgens in de oliebak om een vergelijking te maken. Wees voorzichtig, de olie in de bak is heet.
- Als de temperatuur stabiel is, druk dan op de knop VERHOGEN of VERLAGEN om de "weergavetemperatuur" in overeenstemming te brengen met de meetwaarde die is af te lezen op de thermometer (niet meegeleverd).
- Druk daarna ter bevestiging op de TEMPERA-TUUR-knop om het kalibreren te voltooien.

### Resetten thermische zekering

De resetknop zit aan de onderkant van de afneembare verwarmingsunit en is voorzien van een beschermkap (Zie lijntekening om oververhitting te voorkomen.)

- Trek de stekker van de friteuse eerst uit het stopcontact.
- Laat de friteuse volledig afkoelen.
- Verwijder de afneembare verwarmingsunit van de steun.
- Schroef de zwarte beschermdop van de RESET-knop los.
- Druk op de RESET-knop van de maximaal thermostaat. U moet een duidelijke klik horen.
- Schroef de achterkant van de zwarte beschermdop terug op de RESET-knop.

- Plaats de afneembare verwarmingsunit terug op de steun.



## Frituur tips

- Gebruik bij voorkeur alleen vloeibaar frituurvet of -olie.
- De aanbevolen temperatuur voor frites en snacks is 175°C maximaal.
- Warm het vet/de olie langzaam op. Het liefst in drie stappen bijvoorbeeld: eerst naar 100°C, dan van 100-140°C en vervolgens van 140°C naar 175°C met tussendoor een kwartier rust.
- Verwijder ijs en kruimels van de diepvriesproducten
- Frituur niet te veel te gelijk hierdoor koelt de olie of het vet te snel af. Hierdoor kunnen de frituurproducten onvoldoende snel dichtschroeien waardoor ze meer vet op zullen nemen. De ideale verhouding tussen de te frituren producten en het frituurvet mag maximaal 1:10 zijn.
- Bij intensief gebruik dient u steeds de bakresten uit het vet te zeven
- Vervang de olie of het vet tijdig. Gebruik regelmatig teststrips of meetapparatuur om bij te houden wanneer het vet vervangen moet worden.
- Indien het vet of de olie gaat schuimen, walmen of stroperig wordt, dient u dit te vervangen. Ook wanneer het een sterke geur of smaak krijgt.

## Na gebruik

- Schakel de apparatuur uit door de schakelaar uit te zetten en de stekker uit het stopcontact te verwijderen.
- Verwijder de mand uit het vet. Dit voorkomt dat de mand vast komt te zitten in het gestolde vet.
- Plaats de deksel op de friteuse, zodat het vet nietverouderd.

## Reiniging en onderhoud

- Trek de stekker altijd uit het stopcontact en laat het apparaat volledig afkoelen alvorens het te reinigen.
- Let op: Nooit het apparaat in water of een andere vloeistof onderdompelen!
- De buitenkant maakt u schoon met een vochtig doekje (water met mild reinigingsmiddel).
- Gebruik nooit agressieve schoonmaakmiddelen of schuurmiddelen. Geen scherpe en puntige voorwerpen gebruiken. Geen benzine of oplosmiddelen gebruiken! Schoonmaken met een vochtige doek en eventueel afwasmiddel, geen schurende middelen gebruiken.
- Het apparaat niet reinigen met een hogedrukspuit of stoomreiniger.
- Na reiniging het apparaat weer in elkaar zetten, zorg ervoor dat het verwarmingselement goed is bevestigd anders zal het apparaat niet werken.

## Technische specificaties

Itemnr.	207345	207352	207369	207376
Bedrijfsspanning en frequentie	230V~ 50Hz			
Nominaal ingangsvermogen	3500W	2 x 3500W	3500W	2 x 3500W
Capaciteit	8L	2 x 8L	8L (met kraan)	2 x 8L (met kraan)
Beschermingsklasse	Klasse I			
Beschermingsklasse waterdichtheid	IPX3			
Bereik timer	30 seconden ~ 20 minuten			
Temperatuurbereik	25°C ~ 195°C			
Buitenafmetingen	300x455x(H)345mm	605x455x(H)345mm	300x515x(H)345mm	605x515x(H)345mm

**Opmerking:** Technische specificaties onderhevig aan verandering zonder voorafgaande kennisgeving.



## Problemen oplossen en foutcodes

Als het apparaat niet naar behoren werkt, kijk dan in de onderstaande tabel voor een oplossing. Als u het probleem niet zelf kunt oplossen, neem dan contact op met de leverancier/dienstverlener.

Storing	Verschijsel	Oorzaak	Mogelijke oplossing
Apparaat doet helemaal niets	De oranje indicatielamp brandt niet.	Geen netspanning	Controleer de elektrische installatie. Schakelaar defect
		Maximaal thermostaat aangesproken	Reset de maximaal thermostaat. (Zie pagina 25)
		Maximaal thermostaat defect	Contact opnemen met leverancier.
		Thermostaat defect	Contact opnemen met leverancier.
Apparaat bereikt de ingestelde temperatuur niet.	Lange baktijd	Thermostaat defect	Contact opnemen met leverancier.
		Element defect	Contact opnemen met leverancier.

Als na deze handelingen het apparaat nog steeds niet functioneert, adviseren wij u contact op te nemen met de technische dienst. Neem in geval van twijfel altijd contact op met uw leverancier!

## Garantie

Elk defect waardoor de werking van het apparaat nadelig wordt beïnvloed dat zich binnen één jaar na aankoop van het apparaat voordoet, wordt gratis hersteld door reparatie of vervanging, mits het apparaat conform de instructies is gebruikt en onderhouden en niet op enigerlei wijze verkeerd is behandeld of misbruikt. Dit laat onverlet uw bij wet bepaalde rechten. Als de garantie van kracht is, vermeld dan waar en wanneer u het apparaat

hebt gekocht en sluit een aankoopbewijs bij (bijv. kassabon of factuur).

Gezien ons streven naar voortdurende verdere productontwikkeling behouden wij ons het recht voor, zonder voorafgaande kennisgeving wijzigingen aan te brengen aan product, verpakking en documentatie.

NL

## Afdanken & Milieu

Aan het einde van de levensduur, het apparaat af-danken volgens de op dat moment geldende voorschriften en richtlijnen.

Werp verpakkingsmateriaal zoals plastic en dozen in de daarvoor bestemde containers.



Szanowny Kliencie,

Dziękujemy za zakup urządzenia firmy Hendi. Prosimy o uważne zapoznanie się z niniejszą instrukcją przed podłączeniem urządzenia, aby uniknąć uszkodzeń spowodowanych niewłaściwą obsługą. Należy zwrócić szczególną uwagę na zasady bezpieczeństwa.

## WAŻNE ZASADY BEZPIECZEŃSTWA


- Nieprawidłowa obsługa i niewłaściwe użycie mogą spowodować poważne uszkodzenie urządzenia lub zranienie osób.
- Urządzenie stosuj wyłącznie zgodnie z przeznaczeniem. Producent i/lub Sprzedawca nie ponosi żadnej odpowiedzialności za szkody spowodowane nieprawidłową obsługą i niewłaściwym użytkowaniem urządzenia.
- W czasie użycia zabezpiecz urządzenie i wtyczkę kabla zasilającego przed kontaktem wodą lub innymi płynami. W mało prawdopodobnym przypadku zanurzenia urządzenia w wodzie, natychmiast wyciągnij wtyczkę z kontaktu, a następnie zleć kontrolę urządzenia specjalistom. Nieprzestrzeganie tej instrukcji może spowodować zagrożenie życia.
- Nigdy nie otwieraj samodzielnie obudowy urządzenia.
- Nie wtykaj żadnych przedmiotów w obudowę urządzenia.
- Nie dotykaj wtyczki kabla zasilającego wilgotnymi rękami.
- **Ryzyko porażenia prądem!** Regularnie kontroluj stan wtyczki i kabla. W przypadku wykrycia uszkodzenia wtyczki lub kabla, zleć naprawę w wyspecjalizowanym punkcie naprawczym.
- **Nigdy nie używaj uszkodzonego urządzenia!** W przypadku, gdy urządzenie spadnie lub ulegnie uszkodzeniu w inny sposób, przed dalszym użyciem zawsze zleć przeprowadzenie kontroli i ewentualną naprawę w wyspecjalizowanym punkcie naprawczym.
- **Ostrzeżenie!** Nie zanurzaj elektrycznych części urządzenia w wodzie lub w innych płynach. Nigdy nie trzymaj urządzenia pod bieżącą wodą.
- Nigdy nie naprawiaj urządzenia samodzielnie może to spowodować zagrożenie życia.
- Chroń kabel zasilający przed kontaktem z ostrymi lub gorącymi przedmiotami i chroń go przed otwartym ogniem. Jeżeli chcesz odłączyć urządzenie z kontaktu, zawsze chwytaj za wtyczkę, nigdy nie ciągnij za kabel.
- Zabezpiecz kabel (lub przedłużacz), aby nikt przez omyłkę nie wyciągnął go z kontaktu ani się o niego nie potknął.
- Urządzenie powinno być używane tylko do celów, dla których zostały pierwotnie zaprojektowane.
- Kontroluj funkcjonowanie urządzenia w czasie użytkowania.
- Dzieci nie uświadamiają sobie zagrożeń, jakie może spowodować użycie urządzeń elektrycznych. Nigdy nie pozwalaj dzieciom posługiwać się elektrycznymi urządzeniami gospodarstwa domowego bez nadzoru.
- Gdy urządzenie nie jest używane oraz zawsze przed czyszczeniem, odłącz je od źródła zasilania, wyciągając wtyczkę z kontaktu.
- Uwaga! Jeżeli wtyczka kabla zasilającego jest podłączona do kontaktu, urządzenie cały czas pozostaje pod napięciem.

PL



- Wyłącz urządzenie, zanim wyciągniesz wtyczkę z kontaktu.
- Nigdy nie przenoś urządzenia za kabel zasilający.
- Nie używaj akcesoriów innych niż dostarczone z urządzeniem.
- Urządzenie można podłączać wyłącznie do gniazda o napięciu i częstotliwości zgodnej z danymi znajdującymi się na tabliczce znamionowej.
- Unikaj przeciążenia.
- Po użyciu wyłącz urządzenie wyjmując wtyczkę z gniazda.
- Instalacja elektryczna musi odpowiadać krajowym i lokalnym przepisom.
- Z urządzenia nie mogą korzystać osoby (także dzieci), u których stwierdzono osłabione zdolności fizyczne, sensoryczne lub umysłowe, albo którym brakuje odpowiedniej wiedzy i doświadczenia, chyba że odbywa się to pod nadzorem lub zgodnie z instrukcjami osoby odpowiedzialnej za ich bezpieczeństwo.

## Szczególne przepisy bezpieczeństwa

- Urządzenie przeznaczone jest wyłącznie do smażenia określonego rodzaju produktów żywnościowych (np. frytek) w głębokim tłuszczu do celów komercyjnych. Stosowanie urządzenia w jakimkolwiek innym celu może prowadzić do jego uszkodzenia lub do obrażeń ciała.
- Urządzenie przeznaczone jest do użytku komercyjnego, na przykład w restauracjach, stołówkach, kuchniach szpitalnych oraz w przedsiębiorstwach takich jak piekarnie, sklepy mięsne itp., ale nie jest przeznaczone do masowej produkcji żywności. Urządzenie powinno być obsługiwane wyłącznie przez przeszkolony personel.
-  **Uwaga! Gorąca powierzchnia!** Temperatura dostępnych powierzchni urządzenia w czasie użytkowania jest bardzo wysoka. Dotykaj wyłącznie przycisków panelu sterowania.
- Jeśli urządzenie ma zostać umieszczone blisko ściany, ścianek działowych, mebli kuchennych, wykończeń dekoracyjnych itp., zaleca się, by pokryte były one materiałami niepalnymi; jeśli nie jest to możliwe, należy pokryć takie powierzchnie odpowiednim niepalnym materiałem termoizolacyjnym i postępować zgodnie z przepisami przeciwpożarowymi.
- Nie umieszczaj urządzenia na obiekcie emitującym ciepło (kuchenka gazowa, elektryczna, grill, itp.). Trzymaj urządzenie z dala od jakichkolwiek gorących powierzchni lub otwartego płomienia. Ustaw urządzenie na równej, stabilnej, czystej i suchej powierzchni, odpornej na działanie wysokich temperatur.
- Nie używaj urządzenia w pobliżu materiałów wybuchowych lub łatwopalnych, kart płatniczych, dysków magnetycznych lub radioodbiorników.
- Urządzenie nie jest przystosowane do obsługi za pomocą zewnętrznego timera lub oddzielnego systemu zdalnego sterowania.
- **OSTRZEŻENIE:** Jeśli poziom oleju w zbiorniku sięga poniżej oznaczenia L (poziom min.) lub jeśli zbiornik jest pusty, istnieje ryzyko pożaru.
- **OSTRZEŻENIE:** Nie smaż w urządzeniu produktów żywnościowych, które zawierają dużo wody, aby zapobiec pienieniu się i pryskaniu oleju. W komorze smażenia można umieścić maksymalnie 1 kg produktów żywnościowych.



- Zapewnij co najmniej 20-centymetrową przestrzeń wokół urządzenia, celem umożliwienia odpowiedniej wentylacji podczas użytkowania.
- Używaj wyłącznie oleju przeznaczonego do smażenia. Regularnie wymieniaj olej lub tłuszcz w zbiorniku. Stary lub zanieczyszczony olej może się zapalić po podgrzaniu do zbyt wysokiej temperatury.
- Nie korzystaj z plastikowych sztućców w czasie obsługi urządzenia.
- Niebezpieczeństwo! Nigdy nie używaj starego oleju, ponieważ ma on obniżoną temperaturę zapłonu i jest bardziej podatny na nagłe wrzenie, co zwiększa ryzyko powstania pożaru lub sytuacji niebezpiecznych.
- Urządzenie i akcesoria do niego należy umyć po każdym użyciu (---> Czyszczenie i konserwacja)
- Nie czyść urządzenia strumieniem wody pod ciśnieniem ani przy pomocy myjki parowej, nie sputkuj urządzenia wodą, ponieważ doprowadzi to do zawilgocenia lub zamoczenia części wewnątrz urządzenia, co może skutkować porażeniem prądem.
- Uwaga! Odpowiednio poprowadź i zabezpiecz przewód zasilający, aby zapobiec przypadkowemu pociągnięciu lub kontaktowi z nagrzaną powierzchnią.
- Nie czyść urządzenia wodą. Mycie urządzenia może spowodować przedostanie się wody do części elektrycznych i doprowadzić do porażenia prądem.
- Nie czyść ani nie umieszczaj urządzenia w miejscu przechowywania, zanim całkowicie nie ostygnie.
- Części urządzenia nie mogą być myte w zmywarce.
- Przed czyszczeniem lub napełnianiem urządzenia wyjmij wtyczkę z gniazdka.
- Instalacja elektryczna musi spełniać odpowiednie wymagania krajowe i miejscowe.
- Upewnij się, czy zbiornik na olej oraz element grzewczy ustawione zostały w bezpiecznym miejscu w kuchni ze względu na wysoką temperaturę urządzenia podczas pracy.
- By uniknąć ewentualnego zagrożenia pożarowego, poziom oleju w zbiorniku nie powinien być niższy niż oznaczony poziom minimalny (L). Należy zawsze dbać o wystarczającą ilość oleju w zbiorniku.

PL

### Montaż uziemienia

Mikser jest urządzeniem I klasy ochronności i wymaga uziemienia. Uziemienie zmniejsza ryzyko porażenia prądem, dzięki zastosowaniu przewodu odprowadzającego prąd elektryczny. Urządzenie

wyposażone jest w przewód z uziemieniem z wtyczką uziemiającą. Wtyczka musi zostać podłączona do gniazdka sieciowego, które zostało odpowiednio zamontowane i uziemione.

### Przygotowanie przed pierwszym użyciem

- Sprawdź, czy urządzenie nie jest uszkodzone. W przypadku jakichkolwiek uszkodzeń niezwłocznie skontaktuj się ze swoim dostawcą i NIE korzystaj z urządzenia.
- Zdjąć całe opakowanie i folię ochronną (o ile dotyczy).
- Wyczyść urządzenie przy pomocy letniej wody i miękkiej szmatki.
- O ile nie zalecono inaczej, ustaw urządzenie na płaskim i stabilnym podłożu.
- Zapewnić wystarczającą przestrzeń wokół urządzenia, aby umożliwić wentylację urządzenia.
- Ustaw urządzenie tak, aby mieć zawsze dobry dostęp do wtyczki.



## Instalacja

- Urządzenie wyposażone jest w gumowe nóżki. Urządzenie należy ustawić na równej, stabilnej, czystej i suchej powierzchni, odpornej na działanie wysokich temperatur.
- Ostrożnie zamocuj tylny wspornik urządzenia z elementem grzewczym z tyłu zbiornika na olej.

### Uwaga:

1. Upewnij się, czy sworzeń znajdujący się na tylnym wsporniku urządzenia został prawidłowo zamocowany.
2. Przed rozpoczęciem pracy upewnij się, czy zbiornik na olej oraz element grzewczy ustawione zostały w bezpiecznym miejscu w kuchni ze względu na wysoką temperaturę urządzenia podczas pracy.

## Główne części urządzenia

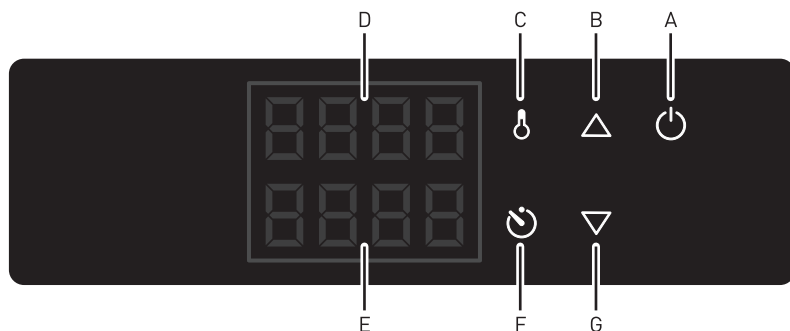


1. Panel sterowania
2. Demontowalny element sterujący urządzenia z elementem grzewczym
3. Obudowa z wewnętrznym zbiornikiem na olej
4. Przycisk RESET (w tylnej dolnej części urządzenia)
5. Pokrywa

6. Kurek spustowy oleju (tylko modele 207369 i 207376)
7. Nóżki
8. Koszyk na frytki z uchwytem
9. Uchwyt/listwa do zawieszania kosza po wyjęciu go z tłuszczu



## Panel sterowania



A) Przetącnik ON/OFF

B) Przycisk zwiększania wartości (temperatury oraz czasu)

C) Przycisk TEMPERATURY

D) Wyświetlacz górny

E) Wyświetlacz dolny

F) Przycisk TIMERA (ustawienie czasu smażenia)

G) Przycisk zmniejszania wartości (temperatury i czasu)

## Eksploatacja

- Upewnij się, czy kurek spustowy oleju jest zamknięty.
- Wyjmij wtyczkę z gniazdka.
- Upewnij się, czy zbiornik na olej jest czysty i czy w środku nie znajduje się woda.

- Ostrożnie napełnij zbiornik olejem - poziom oleju powinien znajdować się między oznaczeniami L (minimalnym) a H (maksymalnym).
- Włóż uziemioną wtyczkę do uziemionego gniazdka elektrycznego.
- Można przystąpić do smażenia.

## Smażenie w głębokim tłuszczu

Frytownica jest wyposażona w unikalny system „zimnej strefy” umożliwiający opadanie okruszków i pozostałości po frytowaniu na dno pojemnika, co pozwala znacznie zwiększyć wydajność tłuszczu/oleju.

Regularnie sprawdzaj, czy w pojemniku jest wystarczająca ilość oleju lub tłuszczu. Poziom tłuszczu nigdy nie może być niższy niż poziom oznaczony jako „L”.

## Obsługa

### 1. Ustawienie TEMPERATURY

- 1.1 Napełnij zbiornik olejem i upewnij się, czy poziom oleju znajduje się między oznaczeniami L a H. Należy pamiętać, że umieszczenie żywności w oleju spowoduje podniesienie jego poziomu. Nie wkładaj do zbiornika mokrych produktów żywnościowych lub ich dużej ilości na raz.
- 1.2 Podłącz wtyczkę do odpowiedniego gniazdka elektrycznego.

- 1.3 Naciśnij przycisk „ON/OFF” - przycisk podświetli się. Przyciski ZWIĘKSZANIA i ZMNIEJSZANIA wartości zaczną migać. Na górnym wyświetlaczu pojawi się aktualnie ustawiona temperatura. [Zakres temperatury: 25 °C ~ 195 °C].
- 1.4 Wciśnij przyciski ZWIĘKSZANIA lub ZMNIEJSZANIA wartości, by rozpocząć proces grzania. Na górnym wyświetlaczu pojawi się AKTUALNA TEMPERATURA oleju. Przycisk TEMPERATURY będzie stale migał.





1.5 Możesz również wybrać przycisk TEMPERATURY, by na 1-2 sekundy wyświetlić ostatnią USTAWIONĄ TEMPERATURĘ. W tym czasie wciśnij przycisk ZWIĘKSZANIA lub ZMNIEJSZANIA temperatury, by zmienić USTAWIONĄ TEMPERATURĘ, jeśli zachodzi taka potrzeba. Wciśnij przycisk ZWIĘKSZANIA lub ZMNIEJSZANIA temperatury raz, by zwiększyć/zmniejszyć temperaturę o 1 °C. Wciśnij i przytrzymaj przycisk, by szybciej zmieniać ustawioną wartość. Po puszczeniu przycisku, NOWA TEMPERATURA zostanie automatycznie ustawiona po upływie ok. 2-3 sekund.

## 2. Ustawienie czasu smażenia

- 2.1 W czasie pracy urządzenia możliwe jest ustawienie funkcji czyli ustawienie czasu smażenia.
- 2.2 Wciśnij i przyciśnij przycisk TIMERA na 2-3 sekundy, by wejść w tryb ustawienia TIMERA. Przyciski ZWIĘKSZANIA i ZMNIEJSZANIA wartości zaczną migać.
- 2.3 W ciągu 1-2 sekund wciśnij przycisk ZWIĘKSZANIA lub ZMNIEJSZANIA wartości, by ustawić czas TIMERA. Jedno wciśnięcie przycisku zmieni podaną wartość o 30 sekund - w dolnej linii wyświetlacza pokazywany będzie aktualny czas ustawienia TIMERA. Naciśnij i przytrzymaj przycisk ZWIĘKSZANIA lub ZMNIEJSZANIA wartości w celu szybszego ustawienia żądanych wartości (zakres TIMERA: 30 sekund - 20 minut).
- 2.4 Nowo ustawiony czas TIMERA zostanie zapisany i po upływie 2-3 sekund rozpocznie się odliczanie.

- 1.6 W czasie podgrzewania, przycisk TEMPERATURY będzie migać, aż olej osiągnie USTAWIONĄ TEMPERATURĘ. Po osiągnięciu USTAWIONEJ TEMPERATURY, przycisk TEMPERATURY zgaśnie i urządzenie będzie utrzymywać USTAWIONĄ TEMPERATURĘ ( $\pm 2$  °C).
- 1.7 Po wyłączeniu urządzenia, w górnej linii wyświetlacza pojawi się informacja „oFF”, a w dolnej linii wyświetlacza - „Hot”.

- 2.5 Po zakończeniu odliczania, w dolnej linii wyświetlacza pojawi się informacja „End”. Komunikat ma 2 sygnały dźwiękowe w odstępie co 10 sekund, w przeciągu jednej minuty.
- 2.6 Wciśnij jednokrotnie przycisk TIMERA, by powrócić do ostatnio ustawionego czasu. Wciśnij ponownie przycisk TIMERA, by wejść w tryb ustawień TIMERA i zmienić ustawiony czas. Przyciski ZWIĘKSZANIA i ZMNIEJSZANIA wartości zaczną migać. Nowo ustawiony czas TIMERA zostanie zapisany i odliczanie rozpocznie się ponownie po upływie 2-3 sekund.

Uwaga: Uchwyt/listwa do zawieszania koszyka służy do tymczasowego oparcia koszyka podczas odsączania nadmiaru oleju. Nie opieraj koszyka o uchwyt/listwę przez dłuższy czas, by zapobiec jego ewentualnemu wygięciu ku dołowi i rozlaniu gorącego oleju.

## Kalibracja

Ta funkcja umożliwi użytkownikowi kalibrację i ustawienie „temperatury wyświetlanej”, by wynosiła tyle samo, co „temperatura rzeczywista”. By wykonać pomiar, niezbędny jest termometr z sondą (niedotłączony do urządzenia).

- W czasie pracy urządzenia wciśnij i przytrzymaj oba przyciski ZWIĘKSZANIA i ZMNIEJSZANIA wartości na 5-6 sekund, by uruchomić „tryb kalibracji”.
- „Temperatura wyświetlana” na wyświetlaczu zacznie migać.

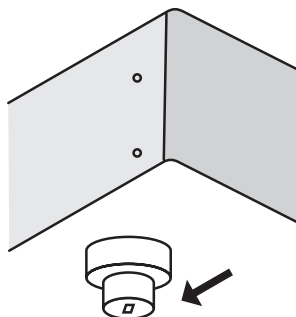
- Umieść termometr (niedotłączony do urządzenia) w zbiorniku na olej, by porównać wyniki. Zachowaj ostrożność: olej w zbiorniku jest gorący.
- Za pomocą przycisków ZWIĘKSZANIA i ZMNIEJSZANIA wartości zmień „temperaturę wyświetlaną” zgodnie z odczytem uzyskanym za pomocą termometru (niedotłączonego do urządzenia).
- Po zakończeniu kalibracji wciśnij przycisk TEMPERATURY, by zatwierdzić



## RESETOWANIE ogranicznika temperatury (wyłącznik termiczny)

Należy pamiętać, że przycisk RESET stanowiący zabezpieczenie przed przegrzaniem znajduje się w dolnej części demontowalnego elementu sterującego i zabezpieczony jest nasadką (patrz rysunek).

- Najpierw odłącz urządzenie od źródła zasilania, wyjmując wtyczkę z gniazdka.
- Pozostaw urządzenie do całkowitego ostygnięcia.
- Odtłącz demontowalny element sterujący od obudowy frytownicy głównej.
- Odkręć czarną nakrętkę ochronną przycisku RESET.
- Wciśnij przycisk RESET ogranicznika temperatury (wyłącznik termiczny). Usłyszysz kliknięcie.



- Przykręć ponownie czarną nakrętkę ochronną przycisku RESET. Ponownie zamocuj zdemontowany element sterujący do obudowy frytownicy.

## Wskazówki smażenia w głębokim tłuszczu

- Używaj płynnego oleju (zalecany) lub tłuszczu do smażenia.
- Zalecana temperatura smażenia frytek i przekąsek to maksymalnie 175°C.
- Podgrzewaj tłuszcz wolno. Najlepiej podgrzewać tłuszcz w trzech etapach, najpierw do 100°C, potem od 100-140°C i następnie od 140°C do 175°C z 15-minutowymi przerwami między każdym krokiem.
- Usuwać lód i okruchy z zamrożonej żywności.
- Nie smaż w głębokim tłuszczu zbyt dużych porcji. Może doprowadzić to do spadku temperatury oleju lub tłuszczu. Wychłodzony olej/tłuszcz nie obsmaży odpowiednio powierzchni, powodując

zwiększenie wchłaniania tłuszczu. Idealna proporcja zamrożonej żywności do oleju/tłuszczu do smażenia to maksymalnie 1:10.

- W przypadku intensywnego użytkowania należy filtrować okruchy i odpady z oleju/tłuszczu.
- Należy wymieniać olej lub tłuszcz w odpowiednim momencie. Aby sprawdzać, kiedy należy wymienić olej/tłuszcz, regularnie stosuj testy paskowe lub urządzenia do testów.
- Jeśli olej lub tłuszcz zaczną się pienić, dymić lub stanie się zbyt lepki, należy wymienić olej lub tłuszcz. Wymień olej/tłuszcz, gdy ma silny zapach lub smak.

## Po użyciu

- Wyłącz urządzenie i odłącz kabel z gniazdka.
- Wymij koszyk ze zbiornika na olej. Dzięki temu koszyk nie zastygnie w stężałym tłuszczu

- Przykryj frytownicę pokrywą, aby zapobiec starzeniu się oleju.

## Czyszczenie i konserwacja

- Przed umyciem zawsze odłącz urządzenie od zasilania i pozostaw do całkowitego ostygnięcia.
- Uwaga: Nigdy nie zanurzaj urządzenia w wodzie lub w innym płynie!
- Umyj zewnętrzną stronę przy pomocy wilgotnej szmatki (użyj roztworu wody i łagodnego środka czyszczącego).
- Nigdy nie używaj żrących środków czyszczących ani materiałów ściernych. Nie używaj ostrych przedmiotów. Nie używaj benzyny ani rozpuszczalników. Czyść urządzenie wilgotną szmatką

oraz ewentualnie płynem do mycia naczyń. Nie stosuj żadnych materiałów ściernych.

- Wyczyść otwory wentylacyjne przy pomocy odkurzacza.
- Urządzenia nie czyścić przy pomocy myjki parowej ani pod strumieniem wody.
- Po wyczyszczeniu, urządzenie ponownie złożyć upewniając się, że panel kontrolny (panel grzewczy) jest odpowiednio zamontowany - w przeciwnym razie urządzenie nie będzie działać poprawnie.

## Specyfikacja techniczna

Nr produktu	207345	207352	207369	207376
Napięcie robocze i częstotliwość	230V~ 50Hz			
Znamionowy pobór mocy	3500W	2 x 3500W	3500W	2 x 3500W
Pojemność	8L	2 x 8L	8L (z zaworem)	2 x 8L (z zaworem)
Stopień ochrony	Klasa I			
Klasa wodoodporności	IPX3			
Zakres czasu timera	30 sekund ~ 20 minut			
Zakres temperatury	25°C ~ 195°C			
Wymiary zewnętrzne	300x455x(H)345mm	605x455x(H)345mm	300x515x(H)345mm	605x515x(H)345mm

**Uwaga:** Specyfikacja techniczna może ulec zmianie bez uprzedzenia.

## Wyszukiwanie i usuwanie usterek

Jeśli urządzenie nie działa prawidłowo, zapoznaj się z poniższą tabelą w celu znalezienia prawidłowego rozwiązania. Jeśli nie możesz rozwiązać problemu, skontaktuj się z dostawcą.

Usterka	Objaw	Przyczyna	Możliwe rozwiązanie
Urządzenie w ogóle nie reaguje.	światelka wyłącznika nie świecą się i nie pali się pomarańczowa lampka	Brak napięcia sieciowego	Sprawdź instalację elektryczną. Awaria wyłącznik
		Włączył się system ogranicznika temperatury (wyłącznik termiczny).	Zresetuj system ogranicznika temperatury (wyłącznik termiczny). (Patrz strona 34)
		Awaria systemu ogranicznika temperatury (wyłącznik termiczny).	Skontaktować się z dostawcą.
		Awaria termostatu.	Skontaktować się z dostawcą.
Urządzenie nie rozgrzewa się do ustawionej temperatury.	Długi czas smażenia. Nie pali się zielona lampka.	Awaria termostatu.	Skontaktować się z dostawcą.
		Awaria grzałki.	Skontaktować się z dostawcą.

Jeśli po przeprowadzeniu powyższych kontroli usterka nadal występuje, zalecamy skontaktowanie się z serwisem technicznym. W razie wątpliwości zawsze skontaktuj się z dostawcą!

## Gwarancja

Każda wada bądź usterka powodująca niewłaściwe funkcjonowanie urządzenia, która ujawni się w ciągu jednego roku od daty zakupu, zostanie bezpłatnie usunięta lub urządzenie zostanie wymienione na nowe, o ile było użytkowane i konserwowane zgodnie z instrukcją obsługi i nie było wykorzystywane w niewłaściwy sposób lub niezgodnie z przeznaczeniem. Postanowienie to w żadnej mierze nie narusza innych praw użytkownika wynikających z przepisów prawa. W przypadku zgłoszenia urzą-

dzenia do naprawy lub wymiany w ramach gwarancji należy podać miejsce i datę zakupu urządzenia i dołączyć dowód zakupu (np. paragon).

Zgodnie z naszą polityką ciągłego doskonalenia wyrobów zastrzegamy sobie prawo do wprowadzania bez uprzedzenia zmian w wyrobie, opakowaniu oraz danych technicznych podawanych w dokumentacji.

## Wycofanie z użytkowania i ochrona środowiska

Urządzenie zużyte i wycofane z użytkowania należy zutylizować zgodnie z przepisami i wytycznymi obowiązującymi w momencie wycofania urządzenia.

Materiały opakowaniowe, jak tworzywa sztuczne i pudła, należy umieszczać w pojemnikach na odpady właściwych dla rodzaju materiału.



Cher client,

Merci d'avoir acheté cet appareil de **Hendi**. Veuillez lire attentivement ce mode d'emploi avant de brancher l'appareil afin d'éviter tout endommagement pour cause d'usage abusif. Veuillez notamment lire les consignes de sécurité avec la plus grande attention.

## Règles de sécurité


- L'utilisation abusive et le maniement incorrect de l'appareil peuvent entraîner une grave détérioration de l'appareil ou provoquer des blessures.
- L'appareil est conçu à un usage commercial, par exemple dans les restaurants, les cantines, les cuisines des hôpitaux et dans les entreprises telles que les boulangeries, les boucheries etc. mais il n'est pas destiné à la production de masse de nourriture.
- L'appareil est conçu pour la cuisson en friture.
- Veillez à tenir l'appareil et la prise électrique hors de portée de l'eau ou de tout autre liquide. Si malencontreusement l'appareil tombe dans l'eau, débranchez immédiatement la prise électrique et faites contrôler l'appareil par un réparateur agréé. La non-observation de cette consigne entraîne un risque d'accident mortel.
- Ne tentez jamais de démonter vous-même le bâti de l'appareil.
- N'enfoncez aucun objet dans la carcasse de l'appareil.
- Ne touchez pas la prise avec les mains mouillées ou humides.
- Contrôlez régulièrement la prise électrique et le cordon pour détecter toute éventuelle détérioration. Si la prise ou le cordon est endommagé, confiez la réparation à un réparateur agréé.
- N'utilisez pas l'appareil si celui-ci est tombé ou s'il a subi un choc pour toute autre raison. Dans ce cas, faites contrôler l'appareil par un réparateur agréé à qui vous confierez la réparation le cas échéant.
- Ne tentez pas de réparer vous-même l'appareil. Cela présente un risque d'accident mortel.
- Veillez à tenir le cordon électrique éloigné de tout objet coupant ou chaud et à l'écart des flammes. Pour débrancher la prise électrique, saisissez toujours la prise et ne tirez jamais directement sur le cordon.
- Veillez à disposer le cordon électrique (ou la rallonge) de sorte que l'appareil ne puisse pas être débranché accidentellement et que personne ne trébuche sur le cordon.
- Surveillez continuellement l'appareil lorsqu'il est en cours de fonctionnement.
- Les enfants n'ont pas conscience de l'usage incorrect des appareils électriques. Pour cette raison, ne laissez jamais les enfants utiliser des appareils électriques sans surveillance.
- Débranchez toujours la prise électrique lorsque l'appareil n'est pas utilisé et lors de son nettoyage.
- Danger ! Tant que la prise électrique est branchée, l'appareil demeure sous tension.
- Arrêtez l'appareil avant de débrancher la prise électrique.
- Ne portez jamais l'appareil par le cordon électrique.

FR



- N'utilisez pas d'accessoires qui n'ont pas été livrés avec l'appareil.
- Branchez l'appareil seulement sur une prise de courant avec la tension et la fréquence indiqués sur la plaque indiquant le type.
- Evitez toute surcharge.
- Après utilisation, débranchez l'appareil en retirant la fiche de la prise de courant.
- Débranchez aussi toujours l'appareil quand vous le remplissez ou le nettoyez.
- L'installation électrique doit satisfaire aux règles nationales et locales en vigueur.
- Cet appareil n'est pas apte à être utilisé par des personnes (enfants compris) avec capacités physiques, sensorielles ou intellectuelles diminuées ou ne possédant pas l'expérience et les connaissances suffisantes.

## Consignes particulières de sécurité

- L'appareil est destiné uniquement à frire un type d'aliments spécifique (par exemple les frites) dans la graisse profonde à des fins commerciales. L'utilisation de l'appareil à d'autres fins peut entraîner des dommages et des blessures.
- L'appareil est destiné à un usage commercial, par exemple dans les restaurants, les cantines, les cuisines d'hôpital et dans des entreprises telles que les boulangeries, les boucheries etc. mais il n'est pas destiné à la production des aliments. L'appareil doit être utilisé uniquement par le personnel qualifié.
-  **Attention ! Surface chaude !** La température des surfaces disponibles de l'appareil pendant l'utilisation est très élevée. Touchez uniquement les boutons du panneau de contrôle.
- Si l'appareil doit être placé à proximité de murs, de cloisons, de meubles de cuisine, de finitions décoratives, etc., il est recommandé de les recouvrir de matériaux ininflammables ; Si cela n'est pas possible, couvrez ce type de surfaces avec un matériau d'isolation thermique non combustible approprié et respectez les réglementations en matière d'incendie.
- Ne placez pas l'appareil sur un objet émettant de la chaleur (cuisinière à gaz, cuisinière électrique, grill, etc.). Gardez l'appareil à l'écart de toute surface chaude ou d'une flamme nue. Placez l'appareil sur une surface plane, stable, propre et sèche, résistant aux températures élevées.
- N'utilisez pas l'appareil à proximité de matériaux explosifs ou inflammables, de cartes de paiement, de disques magnétiques ou de radios.
- L'appareil n'est pas conçu pour fonctionner avec une minuterie externe ou un système de télécommande séparé.
- **AVERTISSEMENT :** Si le niveau d'huile dans le réservoir est inférieur au marquage L (niveau minimum) ou si le réservoir est vide, il y a un risque d'incendie.
- **AVERTISSEMENT :** Ne faites pas frire des produits alimentaires contenant beaucoup d'eau pour éviter la formation de mousse et les éclaboussures d'huile. Il est possible de mettre au maximum 1 kg de produits alimentaires dans la chambre de cuisson.
- Assurez un espace d'au moins 20 cm autour de l'appareil pour garantir une ventilation adéquate pendant l'utilisation.



- Utilisez uniquement l'huile destinée à la friture. Changez d'huile ou la graisse dans le réservoir. L'huile usée ou sale peut s'enflammer lorsqu'elle est chauffée à une température trop élevée.
- N'utilisez pas de couverts en plastique lorsque vous utilisez l'appareil.
- Danger ! N'utilisez jamais de l'huile usée parce que son point d'éclair est inférieur et elle est plus sujette à l'ébullition soudaine ce qui augmente le risque d'incendie ou de situation dangereuse.
- Lavez l'appareil et les accessoires après chaque utilisation (--> Nettoyage et entretien)
- Ne nettoyez pas l'appareil avec un jet d'eau sous pression ou avec un nettoyeur à vapeur, ne rincez pas l'appareil avec de l'eau pour éviter l'humidité ou la pénétration de l'eau dans l'appareil ce qui pourrait entraîner un choc électrique.
- Attention ! Faites passer et protégez correctement le cordon d'alimentation pour éviter toute traction accidentelle et tout contact avec la surface chauffée.
- Ne nettoyez pas l'appareil avec de l'eau. Le nettoyage de l'appareil peut provoquer la pénétration de l'eau dans les pièces électriques et provoquer un choc électrique.
- Ne nettoyez pas et ne placez pas l'appareil dans un endroit de stockage avant qu'il ne soit complètement refroidi.
- Les parties de l'appareil ne peuvent pas être lavées au lave-vaisselle.
- Avant de nettoyer ou de remplir l'appareil, débranchez la fiche de la prise de courant
- L'installation électrique doit répondre aux exigences nationales et locales pertinentes.
- Assurez-vous que le réservoir d'huile et l'élément chauffant sont placés dans un endroit sûr dans la cuisine en raison de la température élevée de l'appareil pendant le fonctionnement.
- Pour éviter un risque d'incendie éventuel, le niveau d'huile dans le réservoir ne doit pas être inférieur au niveau minimum marqué (L). Veillez à ce que le niveau d'huile dans le réservoir soit suffisant.

FR

### Mise à la terre

Le batteur mélangeur est un appareil de la 1ère classe de protection et doit être obligatoirement mis à la terre. La mise à la terre réduit le risque de choc électrique grâce à un conduit évacuant

le courant électrique. L'appareil est équipé d'un conduit avec la mise à la terre et la prise de terre. N'insérez pas la fiche à la prise murale si l'appareil n'a pas été correctement installé et mis à la terre.

### Préparation avant la première utilisation

- Assurez-vous que l'appareil est intact. S'il est endommagé, contactez immédiatement votre fournisseur et N'UTILISEZ PAS l'appareil.
- Enlevez tout le matériel d'emballage et le feuil de protection éventuellement existant
- Nettoyez l'appareil avec de l'eau tiède et un chiffon doux.
- Mettez l'appareil dans une position horizontale et sur un fondement stable à moins qu'il ne soit indiqué autrement.
- Veillez à ce qu'il reste assez d'espace autour de l'appareil pour l'évacuation de la chaleur.
- Installez l'appareil en veillant à ce que la prise de courant demeure accessible à tout moment.



## Installation

- L'appareil est équipé de pieds en caoutchouc. L'appareil doit être placé sur une surface plane, stable, propre et sèche, résistant aux températures élevées.
- Fixez soigneusement le support arrière de l'appareil avec l'élément chauffant à l'arrière du réservoir d'huile.

Note:

1. Assurez-vous que l'axe à l'arrière de l'appareil est correctement fixé.
2. Avant de commencer le travail, assurez-vous que le réservoir d'huile et l'élément chauffant sont placés dans un endroit sûr dans la cuisine en raison de la température élevée de l'appareil pendant le fonctionnement.

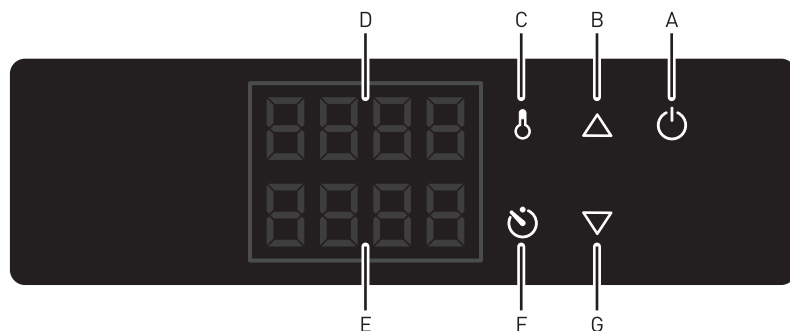
## Parties principales de l'appareil



1. Panneau de contrôle
2. Support arrière démontable avec l'élément chauffant
3. Unité de base avec le réservoir d'huile
4. Bouton RESET (dans la partie inférieure du support arrière)
5. Couvercle
6. Robinet de vidange d'huile (seulement les modèles 207369 i 207376)
7. Pieds
8. Panier pour les frites avec la poignée
9. Barre supportant le panier



## Panneau de contrôle



A) Interrupteur ON/OFF

B) Bouton de l'augmentation de la valeur (température & minuterie)

C) Bouton de TEMPERATURE

D) Afficheur supérieur

E) Ecran d'affichage inférieur

F) Bouton de MINUTERIE

G) Bouton de la diminution de la valeur (température & minuterie)

### Préparation

- Assurez-vous que le robinet de vidange est fermé.
- Débranchez la fiche de la prise de courant.
- Assurez-vous que le réservoir d'huile est propre et qu'il n'y a pas d'eau à l'intérieur.
- Remplissez soigneusement le réservoir avec de l'huile – le niveau d'huile doit se trouver entre les marques L (minimum) et H (maximum).
- Insérez la fiche mise à la terre dans une prise électrique reliée à la terre.
- Vous pouvez commencer à frire.

### Friture

La friteuse comporte une zone froide unique pour que les miettes et le résidu coulent au fond et pour préserver la qualité de l'huile.

Contrôlez régulièrement s'il y a assez d'huile ou de graisse dans le récipient. Le niveau ne doit jamais se trouver au-dessous de l'indication "L" (minimum).

### Fonctionnement

#### 1. Réglage de la TEMPÉRATURE

- 1.1 Remplissez le réservoir d'huile et assurez-vous que le niveau d'huile est entre les marques L et H. N'oubliez pas qu'en plaçant les aliments dans l'huile son niveau augmentera. Ne mettez pas les aliments humides dans un récipient ou une grande quantité en même temps.
- 1.2 Connectez la fiche à une prise électrique appropriée.
- 1.3 Appuyez sur le bouton „ON/OFF” – le bouton s'allume. Les boutons de l'AUGMENTATION et de la DIMINUTION des valeurs commencent à clignoter. La température actuellement réglée apparaît sur l'écran d'affichage supérieur. (Plage de température : 25 °C ~ 195 °C).
- 1.4 Appuyez sur les boutons de l'AUGMENTATION et de la DIMINUTION de valeurs pour démarrer le processus de chauffage. La TEMPÉRATURE D'HUILE ACTUELLE apparaîtra sur l'écran d'affichage supérieur. Le bouton TEMPERATURE clignotera constamment.





1.5 Vous pouvez également sélectionner le bouton de TEMPERATURE pour afficher la DERNIERE TEMPERATURE REGLEE pendant 1 à 2 secondes. A ce moment, appuyez une fois sur le bouton de de l'AUGMENTATION et de la DIMINUTION de la température pour augmenter/diminuer la température d'1 °C. Appuyez sur le bouton et maintenez pour modifier le réglage plus rapidement. Après avoir relâché le bouton la NOUVELLE TEMPERATURE est automatiquement réglée après environ 2 à 3 secondes.

1.6 Pendant le chauffage le bouton de TEMPERATURE clignote jusqu'à ce que l'huile atteigne la TEMPERATURE REGLEE et le bouton de TEMPERATURE s'éteint et l'appareil maintient la TEMPERATURE REGLEE. ( $\pm 2$  °C).

1.7 Après avoir éteint l'appareil, l'information "oFF" apparaît sur la ligne supérieure de l'écran et l'information "Hot" apparaît sur la ligne inférieure de l'écran.

## 2. Réglage de la MINUTERIE

2.1 Pendant le fonctionnement de l'appareil, il est possible de régler la fonction MINUTERIE.

2.2 Appuyez sur le bouton MINUTERIE pendant 2 à 3 secondes pour accéder au mode de réglage MINUTERIE. Les boutons d'AUGMENTATION et de DIMINUTION commencent à clignoter.

2.3 Pendant 1 à 2 secondes appuyez sur le bouton de l'AUGMENTATION ou de la DIMINUTION de la valeur pour régler le temps de la MINUTERIE ; Appuyez sur le bouton et maintenez appuyé le bouton de l'AUGMENTATION ou de la DIMINUTION de la valeur pour modifier plus rapidement les valeurs souhaitées (plage de la MINUTERIE : 30 secondes – 20 minutes).

2.4 Le temps de la MINUTERIE nouvellement réglé est sauvegardé et après 2 à 3 secondes le compte à rebours commence.

2.5 Après avoir terminé le compte à rebours sur la ligne inférieure le message « END » apparaît.

Deux signaux sonores courts sont émis pendant environ 1 minute (qui durent jusqu'à 10 secondes).

2.6 Appuyez une fois sur le bouton MINUTERIE pour revenir au dernier temps réglé. Appuyez à nouveau sur le bouton de la MINUTERIE pour entrer dans le mode de réglage de la minuterie et changer le temps réglé. Les boutons d'AUGMENTATION et de DIMINUTION commencent à clignoter. Le temps de la MINUTERIE nouvellement réglé est sauvegardé et après 2 à 3 secondes le compte à rebours commence.

FR

Remarque : La barre supportant le panier sert à soutenir temporairement le panier pendant le vidange de l'excès d'huile. Ne penchez pas le panier sur la barre pendant une longue période pour empêcher de tomber ou de faire verser de l'huile chaude.

## Calibrage

Cette fonction permet à l'utilisateur de calibrer et de régler la "température d'affichage" pour qu'elle soit identique à la "température réelle". Pour effectuer une mesure, il est nécessaire d'utiliser un thermomètre avec une sonde (non connectée à l'appareil).

- Pendant le fonctionnement, appuyez et maintenez les boutons de l'AUGMENTATION et de la DIMINUTION pendant 5 à 6 secondes pour lancer le « mode de calibrage ».
- La „température affichée” sur l'écran commence à clignoter.

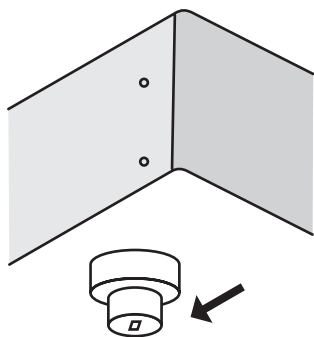
- Placez le thermomètre (non fourni avec l'appareil) dans le réservoir d'huile pour comparer les résultats. Soyez prudent : l'huile dans le réservoir est très chaude.
- En utilisant les boutons de l'AUGMENTATION et de la DIMINUTION des valeurs modifiez la „température affichée” conformément à la lecture obtenue avec un thermomètre (non fourni avec l'appareil).
- Une fois le calibrage terminé, appuyez sur le bouton TEMPERATURE pour confirmer.



## REMISE A ZERO (RESET) du dispositif de protection thermique

Veillez noter que le bouton de REINITIALISATION est situé sous l'ensemble de l'élément chauffant amovible et est protégé par un capuchon (voir la figure).

- D'abord débranchez la friteuse de la prise électrique.
- Laissez refroidir la friteuse complètement.
- Débranchez le support arrière démontable de l'unité principale .
- Retirez le capuchon noir de protection du bouton de REINITIALISATION.
- Appuyez sur le bouton de REINITIALISATION du dispositif de protection thermique. Vous allez entendre un clic.



- Revissez le capuchon noir de protection du bouton de REINITIALISATION.
- Fixez à nouveau le support arrière démonté à l'unité principale .

## Conseils de friture

- Utilisez de l'huile liquide (recommandée) ou de la graisse pour faire frire.
- La température recommandée pour les frites et les collations est de 175°C maximum.
- Chauffer l'huile/la graisse lentement. Par exemple, de préférence en trois étapes: tout d'abord à 100°C, ensuite de 100-140°C, puis 140-175°C, avec une pause entretemps de 15 min.
- Retirez de la glace et des miettes des aliments congelés.
- Ne mettez jamais trop de produits à frire dans la friteuse, car cela refroidit l'huile/la graisse rapidement et les produits à frire ne seront pas assez

vite grillés et seront plus intégrés avec de matières grasses. La ratio idéal entre la graisse/l'huile et les produits à frire est 1:10.

- Avec un usage intensif vous devriez toujours enlever les restes de cuisson de la graisse/huile.
- Remplacez l'huile/la graisse à temps. Utilisez des bandes d'essai ou un appareil de mesure pour suivre quand il faut remplacer la graisse.
- Si la graisse ou d'huile a de la mousse, la fumée ou devient liquideux, vous devez le remplacer. Aussi quand une forte odeur ou un goût fort se développe.

## Après utilisation

- Débranchez l'appareil, éteignez l'interrupteur et retirez la fiche de la prise de courant.
- Retirez le panier du réservoir d'huile. Grâce à cela, le panier ne se congèle pas dans la graisse concentrée .

- Placez le couvercle sur la friteuse pour mieux conserver la graisse.

## Nettoyage et entretien

- Avant le nettoyage, débranchez toujours l'appareil de la prise d'alimentation et laissez-le refroidir complètement.
- Attention : Ne plongez jamais l'appareil dans de l'eau ou dans un autre liquide !
- Nettoyez l'extérieur de l'appareil avec un chiffon humide (imbibé d'eau mélangée à un détergent doux).
- N'utilisez jamais de détergent agressif ou de la poudre à récurer. N'utilisez jamais d'objet tranchant ou pointu. N'utilisez jamais d'essence ou de solvant ! Nettoyez avec un chiffon humide et éventuellement du liquide vaisselle, mais n'utilisez pas de produit abrasif.
- L'appareil ne peut pas être nettoyé avec un nettoyeur à vapeur ou à l'eau.
- Après le nettoyage réassemblez l'appareil en s'assurant que le panneau de contrôle (panneau de chauffage) est correctement installé, sinon l'appareil ne fonctionnera pas correctement.

## Caractéristiques techniques

Produit numéro	207345	207352	207369	207376
Tension et fréquence	230V~ 50Hz			
Consommation de l'énergie	3500W	2 x 3500W	3500W	2 x 3500W
Capacité	8L	2 x 8L	8L (avec le robinet)	2 x 8L (avec le robinet)
Niveau de protection	Classe I			
Résistance à l'eau	IPX3			
Plage de temps de la minuterie	30 secondes ~ 20 minutes			
Plage de température	25°C ~ 195°C			
Dimensions externes	300x455x(H)345mm	605x455x(H)345mm	300x515x(H)345mm	605x515x(H)345mm

FR

**Remarque : Les caractéristiques techniques peuvent être modifiées sans préavis.**

## Recherche des pannes et dépannage

**Si l'appareil ne fonctionne pas correctement, lisez les instructions dans le tableau ci-dessous pour trouver une bonne solution. Si vous ne pouvez pas résoudre le problème, contactez votre revendeur.**

Panne	Description	Cause	Solution possible
L'appareil ne fonctionne pas du tout.	Voyant orange ne s'allume pas	Pas de tension	Contrôlez l'installation électrique Interrupteur défectueux
		Dispositif de protection thermique enclenché.	Réinitialisez le dispositif de protection thermique (voir page 42)
		Dispositif de protection thermique défectueux.	Contactez votre fournisseur.
		Thermostat défectueux	Contactez votre fournisseur.
L'appareil ne fournit pas la température désirée.	Cuisson longue	Thermostat défectueux	Contactez votre fournisseur.
		Élément défectueux	Contactez votre fournisseur.

**Si après ces contrôles, le dysfonctionnement persiste, il est conseillé de contacter l'assistance technique. En cas de doute, prenez aussi toujours contact avec votre fournisseur.**



---

## Garantie

Tout vice ou toute défaillance entraînant un dysfonctionnement de l'appareil qui se déclare dans les 12 mois suivant la date de l'achat sera éliminé à titre gratuit ou l'appareil sera remplacé par un appareil nouveau si le premier a été dûment exploité et entretenu conformément aux termes de la notice d'exploitation et s'il n'a pas été indûment exploité ou de manière non conforme à sa destination. La présente stipulation ne porte pas de préjudice aux autres droits de l'utilisateur prévus par les dispositions légales. Dans le cas où l'appareil est donné à la réparation ou doit être remplacé

dans le cadre de la garantie, il y a lieu de spécifier le lieu et la date de l'achat de l'appareil et produire un justificatif nécessaire (par ex. facture ou ticket de caisse).

Conformément à notre politique d'amélioration permanente de nos produits, nous nous réservons le droit d'introduire sans avertissement préalable des modifications à l'appareil, à l'emballage et aux caractéristiques techniques précisées dans la documentation.

---

## Retrait de l'exploitation et protection de l'environnement

L'équipement usé et retiré de l'exploitation doit être valorisé conformément aux dispositions légales et aux recommandations en vigueur à la date de son retrait.

Les matériaux d'emballage tels que matières plastiques et cartons doivent être déposés dans les bennes prévues pour le type du matériau considéré.

Gentile cliente,

grazie per aver acquistato questo apparecchio Hendi. Ti invitiamo a leggere queste istruzioni per l'uso con attenzione prima di collegare l'apparecchio al fine di evitare danni dovuti a uso improprio. Ti invitiamo inoltre a prestare particolare attenzione alle precauzioni di sicurezza.

## Disposizioni di sicurezza


- Un uso inappropriato dell'apparecchio può arrecare gravi danni allo stesso, così come può portare a lesioni e ferite.
- L'apparecchio è destinato ad uso commerciale, ad esempio in ristoranti, mense, cucine ospedaliere e nelle aziende come panetterie, macellerie ecc., ma non è destinato alla produzione di massa di prodotti alimentari.
- L'apparecchio è destinato esclusivamente per la frittura in olio profondo.
- Evitare il contatto dell'apparecchio e della spina con acqua ed altri liquidi. Se l'apparecchio dovesse cadere involontariamente nell'acqua, togliere immediatamente la spina e fare controllare l'apparecchio da un tecnico riconosciuto. In caso di inosservanza di queste disposizioni di sicurezza, esiste pericolo di vita.
- Non tentare mai di aprire da soli la cassa dell'apparecchio.
- Non introdurre mai oggetti all'interno della cassa dell'apparecchio.
- Non toccare mai la spina con mani bagnate od umide.
- Testare regolarmente la spina per eventuali danni. Far riparare spine o cavi danneggiati solo da un'officina autorizzata.
- Non usare assolutamente l'apparecchio dopo una sua caduta o danneggiamento. Fare controllare l'apparecchio da un'officina autorizzata e, se del caso, farlo riparare.
- Non tentare mai di riparare autonomamente l'apparecchio. Esiste pericolo di vita.
- Tenere lontani i cavi da oggetti appuntiti o caldi, così come da fuoco o fiamme. Togliendo la spina, tirare la spina stessa e non il cavo.
- Avere cura di mettere i cavi di prolunga in modo tale, che non si possa inciampare negli stessi.
- Tenere sempre sotto controllo l'apparecchio durante il funzionamento.
- I bambini non conoscono il pericolo di un uso inappropriato di apparecchi elettrici. Perciò vietare l'uso dell'apparecchio a bambini lasciati soli.
- Se l'apparecchio non viene usato, ed anche prima di ogni pulizia, togliere la spina dalla presa.
- Attenzione pericolo! Se la spina è inserita nella presa, l'apparecchio è dotato di tensione di rete.
- Spegnerne l'apparecchio prima di togliere la spina.
- Non tirare mai l'apparecchio con il cavo.
- Non utilizzare materiale complementare che non è stato fornito assieme all'apparecchio.
- L'apparecchio può essere allacciato ad una presa solo se questa riporta sull'etichetta la relativa tensione e frequenza.
- Sono da evitare i sovraccarichi.

IT



- L'apparecchio si spegne dopo l'uso, staccando la spina dalla presa.
- Prima di rabboccare o pulire l'apparecchio, togliere sempre la spina dalla presa.
- L'impianto elettrico deve essere conforme alle disposizioni nazionali e regionali.
- Questo apparecchio non si presta all'uso per persone (vale anche per bambini) con una motilità, o capacità sensoriali e mentali ridotte, oppure con mancata esperienza.

## Disposizioni particolari di sicurezza

- L'apparecchio è destinato esclusivamente alla frittura di un tipo specifico di alimenti (ad es. Patate fritte) in grasso profondo a fini commerciali. L'utilizzo dell'apparecchio per qualsiasi altro scopo può causare danni o lesioni.
- L'apparecchio è destinato all'uso commerciale, ad esempio nei ristoranti, nelle mense, nelle cucine ospedaliere e in aziende come panetterie, negozi di carne, ecc., Ma non è destinato alla produzione di alimenti di massa. L'apparecchio deve essere utilizzato solo da personale qualificato.
-  **Attenzione! Superficie calda!** La temperatura delle superfici disponibili dell'apparecchio durante l'uso è molto alta. Toccare solo i pulsanti del pannello di controllo.
- Se l'apparecchio deve essere posizionato vicino a pareti, pareti divisorie, mobili da cucina, finiture decorative, ecc., si raccomanda che siano coperti con materiali non infiammabili; se questo non è possibile, coprire tali superfici con un idoneo materiale isolante termico non combustibile e osservare le norme antincendio.
- Non posizionare l'apparecchio su un oggetto che emette calore (fornello a gas, fornello elettrico, grill, ecc.). Tenere l'apparecchio lontano da superfici calde o fiamme libere. Posizionare l'apparecchio su una superficie piana, stabile, pulita e asciutta, resistente alle alte temperature.
- Non utilizzare l'apparecchio vicino a materiali esplosivi o infiammabili, carte di pagamento, dischi magnetici o radio.
- L'apparecchio non è progettato per funzionare con un timer esterno o un sistema di controllo remoto separato.
- **AVVERTENZA:** se il livello dell'olio nel recipiente è al di sotto del segno L (livello minimo) o se il recipiente è vuoto, c'è il rischio di incendio.
- **AVVERTENZA:** non friggere prodotti alimentari che contengono molta acqua per evitare la formazione di schiuma e schizzi d'olio. Mettere nella camera di frittura al massimo 1 kg di prodotti alimentari.
- Prevedere almeno uno spazio di 20 centimetri attorno all'apparecchio per assicurare una corretta ventilazione durante l'uso.
- Utilizzare solo olio per frittura. Cambiare regolarmente olio o grasso nel recipiente. L'olio vecchio o sporco può incendiarsi se è riscaldato a una temperatura troppo alta.
- Non utilizzare le posate di plastica mentre si utilizza l'apparecchio.
- **Pericolo!** Non usare mai olio vecchio perché il suo punto di infiammabilità è inferiore ed è più incline ad ebollizione improvvisa che aumenta il rischio di un incendio o di una situazione pericolosa.
- Lavare l'apparecchio e i suoi accessori dopo ogni utilizzo (-> Pulizia e manutenzione)

- Non lavare l'apparecchio con acqua o un forte getto di acqua e non utilizzare un pulitore a vapore. La pulizia dell'apparecchio con l'acqua può causare la penetrazione dell'umidità nei componenti elettrici e causare una scossa elettrica.
- **Attenzione!** Far passare e proteggere il cavo di alimentazione per evitare di strappare o toccare accidentalmente la superficie riscaldata.
- Non pulire l'apparecchio con l'acqua. La pulizia dell'apparecchio con l'acqua può causare la penetrazione dell'umidità nei componenti elettrici e causare una scossa elettrica.
- Non pulire o posizionare l'apparecchio in un luogo di conservazione se non è completamente raffreddato.
- Le parti dell'apparecchio non possono essere lavate in lavastoviglie.
- Prima di pulire o riempire l'apparecchio, scollegare l'apparecchio dalla presa.
- L'installazione elettrica deve soddisfare i requisiti nazionali e locali pertinenti.
- Assicurarsi che il recipiente dell'olio e l'elemento riscaldante siano collocati in un luogo sicuro in cucina a causa dell'elevata temperatura dell'apparecchio durante il funzionamento.
- Per evitare un possibile rischio di incendio, il livello dell'olio nel recipiente non deve essere inferiore al livello minimo indicato (L). Garantire sempre una quantità adeguata di olio nel recipiente.

---

### Messa a terra

Il mixer planetario è l'apparecchio della I classe di protezione e deve essere messo a terra. La messa a terra riduce il rischio di scosse elettriche grazie al cavo evacuante il corrente elettrico. L'apparecchio

è dotato di un cavo con una messa a terra. Non inserire la spina nella presa di corrente se l'apparecchio non è stato correttamente installato o messo a terra.

IT

---

### Preparazione per la messa in funzione

- Testare l'apparecchio per eventuali danni. Se tali danni esistono, contattare immediatamente il fornitore e non usare in nessun caso l'apparecchio.
- Togliere l'imballaggio e l'eventuale pellicola protettiva.
- Pulire l'apparecchio con un panno morbido ed acqua tiepida.
- In mancanza di disposizioni, posizionare l'apparecchio in modo orizzontale.
- Intorno all'apparecchio dovrebbe esserci spazio sufficiente.
- Posizionare l'apparecchio in modo che la spina possa essere tolta in ogni momento.

---

### Installazione

- L'apparecchio è dotato di piedini in gomma. L'apparecchio deve essere posizionato su una superficie piana, stabile, pulita e asciutta, resistente alle alte temperature.
- Attaccare con attenzione il supporto posteriore con l'elemento riscaldante sul retro del recipiente dell'olio.

Nota:

1. Assicurarsi che il perno sul supporto posteriore dell'apparecchio sia correttamente fissato.
2. Prima di iniziare i lavori, assicurarsi che il recipiente dell'olio e l'elemento riscaldante siano collocati in un luogo sicuro in cucina a causa dell'elevata temperatura dell'apparecchio durante il funzionamento.



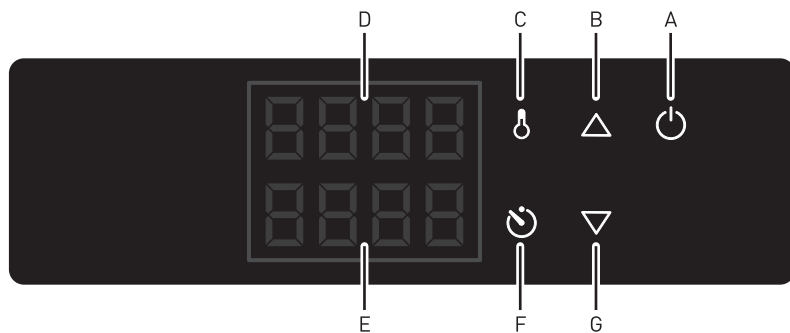
## Parti principali dell'apparecchio



- 1. Pannello di controllo
- 2. Supporto posteriore smontabile dell'apparecchio con l'elemento riscaldante
- 3. Unità di base con recipiente dell'olio
- 4. Pulsante RESET (nella parte inferiore del supporto posteriore)
- 5. Copertura
- 6. Rubinetto di scarico dell'olio (solo per i modelli 207369 e 207376)
- 7. Piedini
- 8. Cestino per patate fritte con manico
- 9. Listello di supporto del cestino

IT

## Pannello di controllo



- A) Interruttore ON/OFF
- B) Pulsante di aumento del valore (temperatura & timer)
- C) Pulsante di TEMPERATURA
- D) Display superiore
- E) Display inferiore
- F) Pulsante di TIMER
- G) Pulsante di diminuzione del valore (temperatura & timer)





---

## Preparazione all'uso

- Assicurarsi che il rubinetto di scarico dell'olio sia chiuso.
- Rimuovere la spina dalla presa.
- Assicurarsi che il recipiente dell'olio sia pulito e che non vi sia acqua all'interno.
- Riempire con attenzione il serbatoio con olio - il livello dell'olio deve essere compreso tra i contrassegni L (minimo) e H (massimo).
- Inserire la spina con messa a terra in una presa elettrica dotata di messa a terra.
- Adesso è possibile friggere.

---

## Friggere

La friggitrice è in possesso di una zona-freddo unica, dove i resti della frittura e le briciole scendono sul fondo e, perciò, il grasso ha una durata naturalmente più lunga.

Controllare regolarmente se nel contenitore c'è olio o grasso a sufficienza. Il livello non deve scendere mai sotto il contrassegno L (minimo).

---

## Funzionamento

### 1. Impostazione della TEMPERATURA

- 1.1 Riempire il serbatoio con olio e assicurarsi che il livello dell'olio sia compreso tra i contrassegni L e H. Ricordare che dopo aver posizionato il cibo nell'olio il livello dell'olio aumenterà. Non mettere gli alimenti umidi in un recipiente o in una grande quantità allo stesso tempo.
- 1.2 Collegare la spina a una presa elettrica adatta.
- 1.3 Premere il pulsante "ON / OFF" - il pulsante si illuminerà. I pulsanti di AUMENTO e DIMINUZIONE inizieranno a lampeggiare. La temperatura attualmente impostata apparirà sul display superiore. (Intervallo di temperatura: 25 ° C - 195 ° C).
- 1.4 Premere i pulsanti AUMENTO e DIMINUZIONE per avviare il processo di riscaldamento. La TEMPERATURA DELL'OLIO CORRENTE apparirà sul display superiore. Il pulsante TEMPERATURE lampeggia costantemente.
- 1.5 È anche possibile scegliere il pulsante TEMPERATURA per visualizzare l'ultima TEMPERATURA IMPOSTATA per 1-2 secondi. A questo punto, premere il pulsante di AUMENTO o DIMINUZIONE della temperatura per modificare la TEMPERATURA IMPOSTATA, se necessario. Premere il pulsante di AUMENTO o DIMINUZIONE della temperatura una volta per aumentare / diminuire la temperatura di 1 ° C. Premere e tenere premuto il pulsante per modificare più velocemente il valore impostato. Dopo aver rilasciato il pulsante, la NUOVA TEMPERATURA verrà impostata automaticamente dopo circa 2-3 secondi.
- 1.6 Durante il riscaldamento, il pulsante TEMPERATURA lampeggia finché l'olio non raggiunge la TEMPERATURA IMPOSTATA. Dopo aver raggiunto la TEMPERATURA IMPOSTATA, il pulsante TEMPERATURA si spegnerà e l'unità manterrà la TEMPERATURA IMPOSTATA ( $\pm 2$  ° C).
- 1.7 Dopo aver spento l'apparecchio l'informazione "off" apparirà nella riga superiore del display e l'informazione "Hot" apparirà nella riga inferiore del display.



## 2. Impostazione del TIMER

- 2.1 Durante il funzionamento dell'apparecchio è possibile impostare la funzione del TIMER.
- 2.2 Premere e premere il pulsante TIMER per 2-3 secondi per accedere alla modalità di impostazione TIMER. I pulsanti di DIMINUZIONE e di AUMENTO del valore inizieranno a lampeggiare.
- 2.3 Premere entro 1-2 secondi il pulsante di AUMENTO o DIMINUZIONE del valore per impostare il tempo del TIMER. Dopo aver premuto il pulsante una volta il valore cambierà di 30 secondi – il tempo corrente dell'impostazione TIMER verrà mostrato nella riga inferiore del display. Premere e tenere premuto il pulsante dei valori di AUMENTO o DIMINUZIONE per impostare i valori desiderati più rapidamente (intervallo TIMER: 30 secondi - 20 minuti).
- 2.4 Il tempo TIMER appena impostato è salvato e dopo 2-3 secondi il conto alla rovescia è iniziato.
- 2.5 Dopo aver terminato il conto alla rovescia nella riga inferiore del display viene visualizzata l'iscrizione "END". Due brevi segnali acustici sono emessi per circa 1 minuto (che durano fino a 10 secondi).
- 2.6 Premere una volta il pulsante TIMER per tornare all'ultimo tempo impostato. Premere di nuovo il pulsante di TIMER per accedere alla modalità di impostazioni del TIMER I pulsanti di DIMINUZIONE e di AUMENTO del valore inizieranno a lampeggiare. Il tempo TIMER appena impostato è salvato e dopo 2-3 secondi il conto alla rovescia è iniziato.

Nota: Il listello di supporto del cestello viene utilizzato per sostenere temporaneamente il cestello quando si scarica l'olio in eccesso. Non appoggiare il cestello sullo listello per un lungo periodo di tempo per evitare di cadere o versare l'olio caldo.

IT

### Taratura

Questa funzione consente all'utente di calibrare e impostare la "temperatura visualizzata" perché sia uguale alla "temperatura effettiva". Per effettuare una misurazione, è necessario un termometro con una sonda (non fornito all'apparecchio).

- Mentre l'apparecchio è in funzione, premere e tenere premuti entrambi i pulsanti di AUMENTO o DIMINUZIONE per 5-6 secondi per avviare la "modalità di taratura".
- La "temperatura visualizzata" sul display lampeggia.
- Posizionare un termometro (non fornito all'apparecchio) nel recipiente dell'olio per confrontare i risultati. Fare attenzione: l'olio nel recipiente è caldo.
- Utilizzare i pulsanti di AUMENTO e DIMINUZIONE per modificare la "temperatura visualizzata" in base alla lettura ottenuta con un termometro (non fornito all'apparecchio).
- Dopo aver terminato la taratura premere il pulsante di TEMPERATURA per confermare.

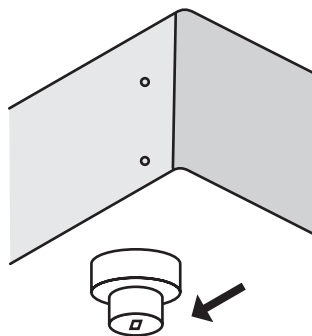


## Eseguire il reset del circuito di sovraccarico

Il pulsante RESET che costituisce la protezione contro il surriscaldamento si trova nella parte inferiore del supporto posteriore smontabile e è protetto con un cappuccio (vedere la figura).

- In primo luogo scollegare l'apparecchio dalla presa elettrica togliendo la spina.
- Lasciare raffreddare completamente l'apparecchio.
- Scollegare il supporto posteriore smontabile dall'unità principale.
- Togliere il tappo nero di protezione del pulsante RESET.
- Premere il pulsante RESET della circuito di sovraccarico. Si sente un clic.
- Avvitare il tappo nero di protezione del pulsante RESET.

- Riattaccare il supporto posteriore rimosso all'unità principale.



## Suggerimenti per la frittura

- Utilizzare olio liquido (consigliato) o grasso per frittura.
- La temperatura di frittura consigliata non deve superare mai i 175° C.
- Riscaldare l'olio lentamente in tre fasi, per esempio, prima a 100° C, poi a 140° C ed infine a 175° C, con una sospensione di circa 15 minuti tra una fase e l'altra.
- Allontanare il ghiaccio e le briciole dalla frittura congelata.

- Non friggere mai troppo in una sola volta, ciò può causare un raffreddamento del grasso rispettivamente dell'olio. Olio o grasso freddo, possono essere assorbiti dagli alimenti. Il rapporto ideale è max 1:10.
- Dopo l'uso, filtrare accuratamente le briciole ed altri resti dall'olio/grasso.
- Cambiare regolarmente l'olio/grasso. Usare le strisce reattive per regolari controlli.
- Se l'olio/grasso inizia a schiumare, fumare od a puzzare, sostituirlo immediatamente.

## Dopo l'uso

- Spegner l'apparecchio spegnendo l'interruttore e togliendo la spina dalla presa.
- Rimuovere il cestello dal recipiente dell'olio. Grazie a ciò, il cestino non rimarrà in grasso concentrato

- Porre il coperchio sulla friggitrice, in modo che il grasso resti fresco.

## Pulitura e manutenzione

- Prima di pulire, scollegare sempre l'apparecchio e lasciarlo raffreddare completamente.
- Attenzione: non immergere mai l'apparecchio nell'acqua od in altri liquidi!
- Pulire l'esterno dell'apparecchio con un panno umido (acqua con un detergente delicato).
- Non usare mai in nessun caso detergenti o abrasivi aggressivi. Non usare oggetti appuntiti o affilati. Non usare benzina o solventi! Pulire l'apparec-

chio con un panno umido o eventualmente, con un detersivo. Non usare abrasivi.

- L'apparecchio non deve essere pulito con un pulitore a vapore o con acqua.
- Dopo la pulizia, l'apparecchio deve essere riassembleato controllando che il pannello di controllo (pannello di riscaldamento) è installato correttamente – altrimenti l'apparecchio non funzionerà correttamente.



## Specifiche tecniche

Prodotto n.	207345	207352	207369	207376
Tensione e frequenza	230V~ 50Hz			
Consumo di energia	3500W	2 x 3500W	3500W	2 x 3500W
Capacità	8L	2 x 8L	8L (con valvola)	2 x 8L (con valvola)
Classe di protezione	Classe I			
Resistenza all'acqua	IPX3			
Intervallo di tempo del timer	30 secondi ~ 20 minuti			
Intervallo di temperatura	25°C ~ 195°C			
Dimensioni esterne	300x455x(altezza) 345mm	605x455x(altezza) 345mm	300x515x(altezza) 345mm	605x515x(altezza) 345mm

**Nota:** Le specifiche tecniche sono soggette a modifiche senza preavviso.

## Identificazione e risoluzione dei problemi

Se l'apparecchio non funziona correttamente, leggere la tabella qui sotto per trovare la soluzione corretta.

Se non è possibile risolvere il problema, contattare il rivenditore.

Guasto	Motivo	Causa	Eventuale soluzione
L'apparecchio non funziona	La spia verde arancione non è accesa	Nessuna tensione di rete	Controllare l'impianto elettrico L'interruttore è difettoso
		È stato attivato il circuito di sovraccarico	Disattivare il circuito di sovraccarico. (Vedere pagina 51)
		Il circuito di sovraccarico è difettoso	Contattare il fornitore
		Termostato difettoso	Contattare il fornitore
L'apparecchio non raggiunge la temperatura indicata	Durata della frittura troppo lunga	Termostato difettoso	Contattare il fornitore
		Elemento difettoso	Contattare il fornitore

**Se, nonostante tutti i controlli l'apparecchio presente sempre ancora guasti, rivolgersi al servizio clienti. In caso di dubbi, mettersi in contatto con il fornitore!**

## Garanzia

Qualsiasi difetto che influenza la funzionalità del dispositivo che compaia entro un anno dall'acquisto sarà corretto a titolo interamente gratuito o con la sostituzione del prodotto che è stato utilizzato e sottoposto a manutenzione corretta seguendo le istruzioni, senza alcuna violazione. I diritti legali del cliente non sono assolutamente modificati. Nel caso in cui l'intervento di manutenzione o sostitu-

zione sia previsto nel periodo di validità della garanzia, precisare dove e quando si è acquistato il prodotto, possibilmente allegando lo scontrino.

In linea con la nostra politica di sviluppo continuo dei prodotti, ci riserviamo il diritto di modificare il prodotto, l'imballo e le specifiche di documentazione, senza notifica alcuna.

## Smaltimento & Ambiente

Alla fine della vita utile del dispositivo, smaltire conformemente alle normative e linee guida applicabili.

Eliminare i materiali di imballaggio, quali plastica e cartone, negli specifici contenitori.



Stimate client,

Vă mulțumim pentru achiziționarea acestui aparat Hendi. Vă rugăm să citiți cu atenția acest manual înainte de a conecta aparatul pentru evitarea defectării ca urmare a utilizării incorecte. Acordați o atenție deosebită regulilor de siguranță.

## Reguli de siguranță


- Operarea incorectă și utilizarea necorespunzătoare a aparatului poate cauza avaria grav aparatul și poate cauza răni oamenilor.
- Acest aparat este destinat utilizării în scopuri comerciale, de exemplu în bucătării de restaurante, cantine, spitale și în unități comerciale precum brutării, măcelării etc. Însă nu pentru producția de alimente în masă.
- Acest aparat este destinat exclusiv preparării în friteuză.”
- Asigurați-vă că aparatul și ștecherul nu intră în contact cu apă sau alte lichide. În cazul în care aparatul este scăpat în apă, scoateți imediat ștecherul din priză și un tehnician autorizat trebuie să-l verifice. Dacă nu respectați aceste instrucțiuni, acest lucru poate cauza situații care vă pot pune viața în pericol.
- Nu încercați să deschideți singuri carcasa aparatului.
- Nu introduceți nici un fel de obiecte în carcasa aparatului.
- Nu atingeți ștecherul cu mâinile ude sau umede.
- Verificați în mod regulat ștecherul și cablul ca acestea să nu fie avariate. Dacă ștecherul și cablul sunt avariate, acestea trebuie reparate de către o firmă de reparații autorizată.
- Nu utilizați aparatul după ce a suferit vreo căzătură sau altă daună. Duceți-l la reparat, dacă este necesar, la o companie specializată.
- Nu încercați să reparați aparatul singuri. Dacă nu respectați aceste instrucțiuni, acest lucru poate cauza situații care vă pot pune viața în pericol.
- Asigurați-vă ca nici un obiect ascuțit sau fierbinte să nu intre în contact cu cablul și feriiți-l de foc. Pentru a scoate ștecherul din priză, întotdeauna prindeți cu mâna priza și nu scoateți niciodată din priză prinzând de cablu.
- Asigurați-vă că nimeni nu poate trage de cablu în mod accidental (sau cablul prelungitor) sau să se împiedice de cablu.
- Întotdeauna supravegheați aparatul atunci când se utilizează.
- Copiii nu înțeleg că utilizarea incorectă a aparatelor electrice poate fi periculoasă. Prin urmare, nu permiteți copiilor să folosească aparatele electrice fără să fie supravegheați.
- Întotdeauna scoateți aparatul din priză atunci când aparatul nu este folosit sau înainte de curățare.
- Avertizare! Cât timp ștecherul este în priză, aparatul este conectat la sursa de curent.
- Opriți aparatul înainte de a scoate ștecherul din priză.
- Nu transportați niciodată aparatul de cablu.
- Nu folosiți alte dispozitive decât celea furnizate împreună cu aparatul.
- Conectați aparatul la o sursă de electricitate cu voltajul și frecvența menționate pe eticheta aparatului.

RO



- Evitați supraîncărcarea.
- Opriti aparatul după utilizare, scoțând ștecherul din priză.
- Întotdeauna scoateți ștecherul din priză când umpleți sau curățați aparatul.
- Instalația electrică trebuie să fie în conformitate cu reglementările naționale și locale.
- Acest aparat nu trebuie folosit de copii sau persoane care au capacități mentale, senzoriale sau fizice reduse, sau lipsă de experiență și cunoștințe.

## Instrucțiuni speciale de siguranță

- Acest aparat este destinat exclusiv preparării în friteuză a alimentelor corespunzătoare, cum ar fi cartofii pai etc., în scopuri comerciale. Orice altă utilizare poate cauza avariarea aparatului sau accidentarea persoanelor.
- Acest aparat este destinat utilizării în scopuri comerciale, de exemplu în bucătării de restaurant, cantine, spitale și în unități comerciale precum brutării, măcelării etc., însă nu pentru producția de alimente în masă. Acest aparat trebuie utilizat de către personalul instruit.
-  **Atenție! Suprafață fierbinte!** Temperatura suprafeței accesibile este foarte ridicată în timpul utilizării. Atingeți doar pictogramele de pe panoul de comandă.
- Dacă aparatul trebuie așezat în apropierea unui zid, perete despărțitor, mobilier de bucătărie, finisaje decorative etc., recomandăm ca acestea să fie făcute din materiale necombustibile; dacă nu, acestea trebuie învelite în materiale termoizolatoare, cu maximum de atenție la respectarea normelor de prevenire a incendiilor.
- Nu puneți aparatul pe un obiect de încălzire (aparat de gătit cu benzină, electric, cărbune etc.). Mențineți aparatul la distanță de orice suprafețe fierbinți și de flăcări deschise. Utilizați întotdeauna aparatul pe o suprafață orizontală, stabilă, curată, termorezistentă și uscată.
- Nu utilizați aparatul în apropierea materialelor explozibile sau inflamabile, cardurilor de credit, discurilor magnetice sau radiourilor.
- Acest aparat nu este construit spre a fi utilizat cu ajutorul unui cronometru extern sau al unui sistem de control separat.
- **AVERTISMENT:** Există pericol de foc dacă nivelul uleiului se află sub marcajul „L” (Min) sau dacă recipientul pentru ulei este gol.
- **AVERTISMENT:** Nu prăjiți alimente prea umede și prea multe alimente în același timp, pentru a evita spumarea excesivă și deversarea uleiului. Cantitatea maximă a unui lot este de aproximativ 1 kg.
- În timpul utilizării, lăsați cel puțin 20 cm în jurul aparatului ca spațiu de ventilație.
- Folosiți doar ulei sau untură adecvate pentru prăjit. Înlocuiți uleiul sau untura la intervale regulate. Uleiul sau untura prăjite excesiv sau murdare se pot aprinde dacă se supraîncălzesc.”
- Nu utilizați tacâmuri din plastic în timpul funcționării.
- Pericol! Nu folosiți niciodată ulei vechi deoarece uleiul vechi are un punct de aprindere mai scăzut și este mai susceptibil de a forma spumă, ceea ce crește riscul de incendiu și de apariție a situațiilor periculoase.
- Curățați aparatul și celelalte accesorii după fiecare utilizare (-->Curățare și întreținere).

- Nu folosiți niciodată jeturi de apă, nu turnați apă direct peste aparat și nu curățați aparatul cu abur, deoarece piesele se vor uda, ceea ce ar duce la electrocutare.
- Atenție! Așezați corespunzător cablul de alimentare, dacă este cazul, pentru a împiedica tragerea neintenționată sau contactul cu suprafața de încălzire.
- Nu spălați aparatul cu apă. La spălare se pot produce scurgeri, ceea ce va crește riscul de electrocutare.
- Nu curățați și nu depozitați aparatul decât după ce s-a răcit complet.
- Niciuna dintre piese nu este destinată spălării în mașina de spălat vase.
- Scoateți întotdeauna ștecherul din priză atunci când umpleți sau curățați friteuza.
- Instalația electrică trebuie să fie conformă cu reglementările aplicabile naționale și locale.
- Rezervorul friteuzei și elementul trebuie amplasate într-o poziție sigură în bucătăria dumneavoastră înainte de utilizare, din cauza conținutului fierbinte din timpul utilizării.
- Pentru a evita pericolul de incendiu, nu permiteți nivelului uleiului să scadă sub marcajul L (nivelul MIN). Utilizați întotdeauna ulei din belșug în recipientul pentru ulei.

### Instalația de împământare

Acest aparat este încadrat în clasa de protecție I și trebuie conectat la împământare de protecție. Împământarea reduce riscul electrocutării prin asigurarea unui fir de ieșire pentru curentul electric.

Acest aparat este dotat cu un cablu cu fir și fișă de împământare. Fișa trebuie conectată la o priză instalată corespunzător și cu împământare.

### Pregătirea pentru prima sa utilizare

- Verificați ca aparatul să nu fie avariat. În cazul unor avarii, contactați imediat furnizorul dumneavoastră și NU utilizați aparatul.
- Scoateți ambalajul acestuia
- Curățați aparatul cu apă caldă și cu o cârpă moale.

- Poziționați aparatul pe o suprafață dreaptă și stabilă, doar dacă nu s-a menționat altfel.
- Asigurați-vă că este destul loc în jurul aparatului pentru ventilație.
- Poziționați aparatul în așa fel încât accesul la priză să fie permis tot timpul.

### Instalare

- Poziționați aparatul, cu piciorușele de susținere din cauciuc, pe o suprafață orizontală, stabilă, curată, termorezistentă și uscată.
- Instalați cu grijă suportul posterior cu element de încălzire pe muchia din spate a recipientului pentru ulei.

Notă:

1. Asigurați-vă că știftul de pe suportul posterior se află în poziție corectă și este montat corespunzător.
2. Aparatul trebuie amplasat într-o poziție sigură în bucătăria dumneavoastră înainte de utilizare, din cauza conținutului fierbinte din timpul utilizării.



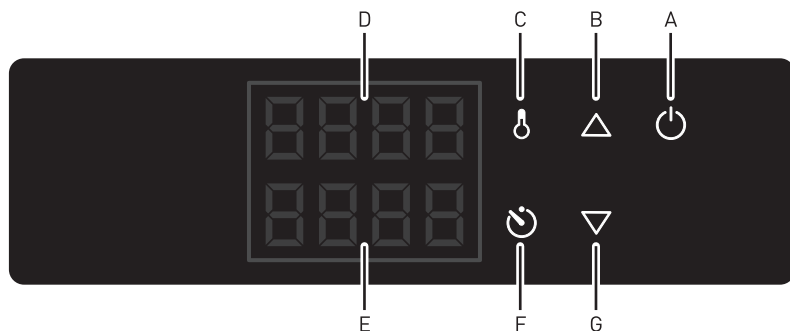
## Principalele piese ale aparatului



1. Panou de comandă
2. Suport posterior detașabil cu element de încălzire
3. Unitatea de bază cu recipientul pentru ulei
4. Buton de RESETARE (la partea din spate și partea de jos a suportului posterior)
5. Capac
6. Robinet de scurgere a uleiului (Furnizat doar cu articolele 207369 și 207376)
7. Picioare
8. Coș de prăjire cu mâner
9. Suport pentru coș de prăjire

RO

## Tastele funcții de pe panoul de comandă



- A) Comutator PORNIT/OPRIT
- B) Pictogramă Creștere (Pentru creșterea temperaturii și configurarea cronometrului)
- C) Pictogramă TEMPERATURĂ
- D) Afișaj superior
- E) Afișaj inferior
- F) Pictograma CRONOMETRU
- G) Pictogramă Descreștere (Pentru scăderea temperaturii și configurarea cronometrului)





## Utilizare

- Asigurați-vă că robinetul de scurgere a uleiului este închis.
- Deconectați ștecherul de la priză.
- Asigurați-vă că recipientul pentru ulei este curat, uscat, și nu conține apă.

- Umpleți cu grijă recipientul cu ulei între marcajul „L” (Min) și „H” (Max).
- Introduceți ștecherul împământat într-o priză cu împământare.
- Acum puteți folosi friteuza.

## Prepararea

Dispozitivul de prajire este proiectat cu un sistem de racire unic care permite ca resturile și rezidurile să se depună. Acest lucru permite, de asemenea, reutilizarea uleiului/grasimii.

Verificați periodic dacă rezervorul conține o cantitate suficientă de ulei sau grăsime. Nivelul nu trebuie să fie niciodată sub marcajul „L” (Min).

## Utilizare

### 1. Configurarea TEMPERATURII

- 1.1 Umpleți recipientul cu ulei și asigurați-vă că nivelul uleiului se află între marcajele „L” și „H”.  
Notă: Țineți cont de faptul că introducerea alimentelor în ulei va crește nivelul acestuia. Nu introduceți alimente prea umede sau o cantitate prea mare de alimente în același timp.
- 1.2 Conectați ștecherul la o priză electrică adecvată.
- 1.3 Apăsăți pictograma PORNIT/OPRIT pentru a porni aparatul. Pictograma CREȘTERE / DESCREȘTERE va clipi. Afișajul superior va afișa TEMPERATURĂ SETATĂ curentă. (Intervalul de TEMPERATURĂ: 25°C ~ 195°C).
- 1.4 Apăsăți pictograma CREȘTERE sau DESCREȘTERE pentru a începe încălzirea. Afișajul superior va afișa TEMPERATURA CURENTĂ a uleiului. Pictograma TEMPERATURĂ va clipi constant.
- 1.5 Puteți de asemenea să apăsați pictograma TEMPERATURA pentru a vedea ultima TEMPE-

RATURĂ SETATĂ timp de 1-2 secunde. În timpul acestei perioade, apăsați pictograma CREȘTERE sau DESCREȘTERE pentru a regla TEMPERATURA SETATĂ dacă doriți. Apăsăți o dată pictograma CREȘTERE / DESCREȘTERE pentru +1,0°C / - 1,0°C. Apăsăți și mențineți pentru reglaj rapid. După încetarea apăsării timp de 2-3 secunde, noua TEMPERATURĂ SETATĂ va fi memorată automat.

- 1.6 În timpul operațiunii de încălzire, pictograma TEMPERATURĂ va clipi constant până la atingerea TEMPERATURII SETATE. După ce se atinge TEMPERATURA SETATĂ, iluminarea pictogramei TEMPERATURĂ se va stinge și va menține temperatura într-un interval de  $\pm 2^\circ\text{C}$ .
- 1.7 După ce stingeți aparatul, se va afișa „OPRIT” pe afișajul superior și „Fierbinte” pe afișajul inferior.

### 2. Configurarea CRONOMETRULUI

- 2.1 În timpul funcționării puteți activa funcția CRONOMETRU.
- 2.2 Apăsăți și mențineți butonul CRONOMETRU timp de 2-3 secunde pentru a intra în modul de configurare CRONOMETRU. Pictograma CREȘTERE / DESCREȘTERE va clipi.

- 2.3 Apăsăți apoi pictograma CREȘTERE sau DESCREȘTERE în interval de 1-2 secunde pentru a configura CRONOMETRUL. Apăsăți o dată pentru +30 secunde / -30 secunde iar afișajul inferior va afișa durata configurată pentru CRONOMETRU. Apăsăți și mențineți pictograma CREȘTERE sau DESCREȘTERE pentru reglaj rapid (Interval CRONOMETRU: 30 secunde ~ 20 minute).

RO



- 2.4 CRONOMETRUL nou setat va fi înregistrat și va începe numărătoarea inversă în aproximativ 2-3 secunde.
- 2.5 La sfârșitul numărătorii inverse, va clipi continuu „Finalizare” pe afișajul inferior. Se vor auzi două sunete scurte cu durata de aproximativ 10 secunde într-o perioadă de 1 minut.
- 2.6 Apăsăți butonul CRONOMETRU o dată pentru a reveni la ultima oră presetată. Apăsăți din nou butonul CRONOMETRU pentru a intra în modul de configurare CRONOMETRU pentru modifi-

carea orei. Pictograma CREȘTERE / DESCREȘTERE va clipi. CRONOMETRUL nou setat va fi înregistrat și va începe din nou numărătoarea inversă în aproximativ 2-3 secunde.

Atenție: Suportul pentru coșul de prăjire este proiectat pentru a conține doar temporar excesul de ulei deversat. Nu mențineți un timp îndelungat pentru a preveni căderea accidentală și vărsarea uleiului încins.

### Funcția de calibrare

Această funcție permite utilizatorului calibrarea și reglajul „temperaturii afișate” pentru a se alinia cu „temperatura curentă”. Pentru măsurare este necesar un termometru calibrat cu sondă (nu este inclus).

- În timpul funcționării, apăsați și mențineți ambele butoane CREȘTERE și DESCREȘTERE timp de 5-6 secunde pentru a intra în „modul calibrare”.
- „Temperatura afișată” pe ecran va clipi apoi constant.

- Introduceți termometrul (nu este inclus în livrare) în interiorul recipientului pentru ulei și comparați. Aveți grijă deoarece uleiul este fierbinte.
- Odată ajuns la o citire stabilă, apăsați butonul CREȘTERE sau DESCREȘTERE pentru a alinia „temperatura afișată” cu citirea termometrului (nu este inclus în livrare).
- După aceea, apăsați pictograma TEMPERATURA pentru a confirma și finaliza calibrarea.

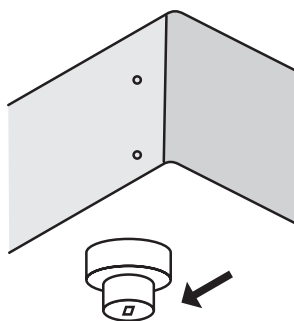
RO

### RESETAȚI siguranța (întrerupere termică)

De observat că butonul RESET este situat în partea de jos a suportului posterior detașabil și este acoperit cu un capac de protecție (Consultați desenul pentru a evita supraîncălzirea.)

- Mai întâi scoateți friteuza din priză.
- Lăsați friteuza să se răcească complet.
- Îndepărtați suportul posterior detașabil de pe suport.
- Deșurubați capacul de protecție al butonului RESET.
- Apăsăți butonul RESET al siguranța (întrerupere termică). Trebuie să se audă un clic.
- Înșurubați la loc capacul de protecție pe butonul RESET.

- Montați la loc suportul posterior detașabil pe suport.



## Sfaturi pentru preparare

- Utilizați doar ulei lichid pentru prăjire (de preferat) sau untură.
- Temperatura recomandată pentru prăjirea chips-urilor și a gustărilor este de maxim 175°C.
- Încălziți uleiul treptat. Preferabil în 3 etape, de exemplu, mai întâi la 100°C, apoi la 100-140°C și ulterior la 140°C - 175°C, cu pauze între respectivele etape de câte 15 minute.
- Îndepărtați gheața sau alte resturi ale alimentelor congelate.
- Nu prăjiți o cantitate prea mare odată. Acest lucru poate cauza răcirea excesivă a uleiului sau a grăsimii. În uleiul răcit/grăsimea întărită alimen-

- tele nu se prăjesc în profunzime, acestea rămânând uleioase. Proporția ideală de alimente congelate pentru ulei/grăsime este de maxim 1:10.
- Atunci când aparatul este folosit intensiv, uleiul trebuie filtrat pentru a elimina firimiturile și alte resturi.
- Înlocuiți uleiul sau grăsimea la timp. Folosiți periodic benzi sau echipament de testare, pentru a ști când trebuie să schimbați uleiul/grăsimea.
- Schimbați uleiul sau grăsimea când aceasta începe să facă spumă sau devine închisă la culoare sau lăptoasă. De asemenea, schimbați uleiul/grăsimea dacă are miros sau gust înțepător.

## După utilizare

- Opriiți aparatul și scoateți ștecherul din priză din perete.
- Îndepărtați coșul din recipientul pentru ulei. Aceasta previne blocarea coșului în untura solidificată.

- Așezați capacul pe aparat, pentru a prelungi durata de utilizare a grăsimii.

## Curățarea și întreținerea

- Deconectați întotdeauna ștecherul din priză și permiteți răcirea completă înainte de a curăța aparatul.
- Atenție! Nu introduceți niciodată aparatul în apă sau în orice alt lichid!
- Curățați aparatul cu o cârpă umedă (apă cu detergent ușor).

- Nu utilizați niciodată agenți de curățare puternici sau corozivi. Nu folosiți obiecte ascuțite sau contondente. Nu folosiți petrol sau solvenți! Curățați cu o cârpă umedă și detergent dacă este necesar. Nu folosiți materiale abrazive.
- Nu curățați aparatul folosind aburi sau jet de apă.
- Asamblați aparatul după curățare și asigurați-vă că panoul de încălzire și comandă este montat corect, în caz contrar aparatul nu va funcționa.

RO

## Specificația tehnică

Articol nr.	207345	207352	207369	207376
Tensiune și frecvență de funcționare	230V- 50Hz			
Puterea nominală de intrare	3500W	2 x 3500W	3500W	2 x 3500W
Capacitate	8L	2 x 8L	8L (cu robinet)	2 x 8L (cu robinet)
Clasa de protecție	Clasa I			
Clasa de protecție contra apei	IPX3			
Interval temporizator	30 secunde ~ 20 minute			
Intervalul de temperatură	25°C ~ 195°C			
Dimensiuni exterioare	300x455x(H)345mm	605x455x(H)345mm	300x515x(H)345mm	605x515x(H)345mm

Remarks: Technical specification is subjected to change without prior notification.



## Depanare

**Dacă aparatul nu funcționează corespunzător, consultați tabelul de mai jos pentru a găsi soluția. Vă rugăm contactați distribuitorul/agentul de service în cazul în care problema nu poate fi rezolvată.**

Defect	Problemă	Cauză posibilă	Soluție posibilă
Friteuza nu pornește	Indicator luminos portocaliu nu se aprinde	Nu există curent în sursă	Verificați instalația electrică Comutator defect
		Siguranța (întrerupere termică) decuplat	Reglați din nou siguranța (întrerupere termică) (A se vedea pagina 58)
		Siguranța (întrerupere termică) defect	Contactați furnizorul
		Termostat defect	Contactați furnizorul
Aparatul nu ajunge la temperatura necesară	Prăjire de lungă durată.	Termostat defect	Contactați furnizorul
		Dispozitiv defect	Contactați furnizorul

**Dacă după aceste operații, defectul continuă, vă recomandăm să contactați asistența tehnică. În caz de neclarități, întotdeauna contactați producătorul!**

## Garanție

Orice defecțiune care afectează funcționarea aparatului apărută la mai puțin de un an de la cumpărarea acestuia va fi remediată prin reparație sau înlocuire gratuită, cu condiția ca aparatul să fi fost folosit și întreținut conform instrucțiunilor nu să nu fi fost bruscat sau folosit necorespunzător în vreun fel. Drepturile dumneavoastră legale nu sunt afec-

tate. Dacă aparatul este în garanție, menționați când și de unde a fost cumpărat și includeți dovada cumpărării (de ex. chitanța).

Conform politicii noastre de dezvoltare continuă a produsului, ne rezervăm dreptul de a modifica produsul, ambalajul și documentația fără notificare.

## Eliminarea și mediul înconjurător

La sfârșitul vieții aparatului, vă rugăm să-l eliminați conform regulamentelor și instrucțiunilor aplicabile în acel moment.

Aruncați ambalajul (plastic sau carton) în recipientele corespunzătoare.

Большое Вам спасибо за то, что Вы купили оборудование фирмы Hendi. Вам следует внимательно прочитать настоящую инструкцию пользователя во избежание повреждения машины в результате неправильной эксплуатации. Особенно рекомендуем ознакомиться с предупреждениями.

## Правила техники безопасности

- Неправильная эксплуатация и неподходящее использование агрегата может привести к его поломке и поранить оператора.
- Настоящее устройство предназначено исключительно для коммерческого использования и не должно использоваться в домашних условиях.
- Оборудование следует использовать точно по назначению. Производитель не несет ответственности за повреждения, вызванные неправильной эксплуатацией или неправильным обслуживанием оборудования.
- Оборудование и электрическую штепсельную вилку следует держать вдали от воды и прочих жидкостей. Если штепсельная вилка попадет в воду, ее следует тут же вытащить из розетки электропитания и обратиться в службу сертифицированного сервиса для проверки устройства. Несоблюдение данных указаний может повлечь за собой угрозу здоровью и жизни обслуживающего персонала.
- Нельзя снимать кожу без особого разрешения.
- Нельзя класть никаких посторонних предметов вовнутрь агрегата.
- Нельзя касаться мокрыми, или влажными руками штепсельной вилки.
- **Опасность поражения током!** Не следует самостоятельно чинить электроаппаратуру. Любые поломки и неисправности должны устраняться квалифицированным персоналом.
- **Никогда не следует пользоваться поврежденной электроаппаратурой.** Поврежденное устройство нужно отсоединить от электросети и обратиться к продавцу.
- **Предупреждение:** не следует погружать электрических деталей в воду, или иные жидкости. Не омыwać в струе воды.
- Регулярно проверять вилку и провод электропитания на предмет повреждений. Поврежденные вилку или провод передать для ремонта в сервисную точку, или обратиться к квалифицированному электрику во имя предотвращения опасности травм.
- Удостовериться, что провод электропитания не касается острых и горячих предметов; держать электропровод вдали от открытого огня. Для того, чтобы вынуть вилку из розетки всегда нужно тянуть за вилку, а не за электропровод.
- Защитить провод электропитания (удлинитель) от случайного выпадения из розетки. Электропровод прокладывать так, чтобы случайно не зацепиться за него.
- Непрестанно наблюдать за работающей электроаппаратурой.
- **Предупреждение!** Если вилка находится в розетке – это означает, что электроаппаратура считается подключенной к электропитанию.
- Перед тем, как вынуть вилку из розетки, электроаппаратуру следует выключить!
- Никогда нельзя переносить, передвигать электроаппаратуру держа за электропровод.




- Не использовать никаких деталей, аксессуаров, которые не поставляются вместе с этой электроаппаратурой.
- Электроаппаратуру следует подключать исключительно к розетке, в которой имеется напряжение и частоту, указанную на щитке электроаппаратуры.
- Вилку следует вставлять в розетку, расположенную в удобном и легкодоступном месте, так чтобы в случае аварии можно бы ее немедленно вынуть. Для полного обесточивания электроаппаратуры ее следует отсоединить от электропитания; для этого следует вынуть вилку, находящуюся на конце провода электропитания, из розетки.
- Перед тем, как вынуть вилку всегда следует помнить о том, чтобы сначала выключить электроаппаратуру!
- Не следует использовать детали, аксессуары, не рекомендуемые производителем данной электроаппаратуры, т.к. использование таких деталей, аксессуаров может создать для пользователя угрозу его здоровью и жизни, а также может привести к поломке электроаппаратуры. Следует всего использовать оригинальные детали, аксессуары.
- Без надлежащего контроля или предварительного обучения эксплуатации оборудования проводимого лицом, отвечающим за безопасную эксплуатацию, оборудованием не могут пользоваться ни дети, ни лица с ограниченными физическими, или психическими возможностями, ни лица, которые не обладают необходимым опытом работы и знаниями в данной области.
- Ни в коем случае нельзя допускать к использованию электроаппаратуры детей.
- Электроаппаратуру следует хранить в месте недоступном для детей.
- Нельзя разрешать детям использовать электроаппаратуру в качестве игрушки.
- Всегда электроаппаратуру следует отсоединить от электропитания, если оставляем ее без надзора, перед монтажом, демонтажем и чисткой.
- Нельзя оставлять работающую электроаппаратуру без надзора.

RU

---

## Подробные указания по безопасности

- Устройство предназначено только для обжарки определенного типа пищевых продуктов (например, картофеля фри) в глубоком жире в коммерческих целях. Использование устройства для любых других целей может привести к повреждению или травме тела.
- Устройство предназначено для коммерческого использования, например, в ресторанах, столовых, больничных кухнях и на предприятиях таких как пекарни, мясные магазины и т.п., но оно не предназначено для массового производства продуктов питания. Устройство должен эксплуатировать только обученный персонал.
-  **Осторожно! Горячая поверхность!** Температура доступных поверхностей устройства во время использования очень высокая. Прикасайтесь только к кнопкам панели управления.
- Если устройство будет располагаться рядом со стенкой, перегородками, кухонной мебелью, декоративной отделкой и т.п., рекомендуется, чтобы они были покрыты невоспламеняющимися материалами; если это невозможно, накройте такие поверхно-



сти подходящим негорючим теплоизоляционным материалом и соблюдайте правила пожарной безопасности.

- Не размещайте устройство на объекте, который излучает тепло (газовая или электрическая плита, гриль и т.п.). Держите устройство подальше от любых горячих поверхностей или открытого пламени. Поместите устройство на ровную, стабильную, чистую и сухую поверхность, устойчивую к высоким температурам.
- Не используйте устройство вблизи взрывчатых или легковоспламеняющихся материалов, платежных карт, магнитных дисков или радиоприемников.
- Устройство не приспособлено для управления с помощью внешнего таймера или отдельной системы дистанционного управления.
- **ПРЕДУПРЕЖДЕНИЕ:** Если уровень масла в контейнере ниже отметки L (минимальный уровень) или если контейнер пуст, существует опасность пожара.
- **ПРЕДУПРЕЖДЕНИЕ:** Не обжаривайте пищевые продукты, содержащие много воды, чтобы предотвратить вспенивание и разбрызгивание масла. В жарочной ванне можно поместить максимально 1 кг пищевых продуктов.
- Обеспечьте по крайней мере 20-сантиметровое пространство вокруг устройства, чтобы обеспечить достаточную вентиляцию во время использования.
- Используйте только масло, предназначенное для жарки. Регулярно меняйте масло или жир в контейнере. Старое или грязное масло может загореться при нагревании до слишком высокой температуры.
- Не используйте пластиковые столовые приборы во время работы устройства.
- **Опасность!** Никогда не используйте старое масло, потому что оно имеет более низкую температуру вспышки и более восприимчиво к внезапному кипению, что увеличивает риск пожара или опасной ситуации.
- Устройство и его аксессуары мойте после каждого использования (→ Очистка и обслуживание)
- Не мойте устройство с помощью струи воды под давлением или пароочистителя, не промывайте устройство водой, так как это может привести к увлажнению или проникновению воды во внутренние части устройства, что приведет к поражению электрическим током.
- **Внимание!** Правильно подключите и закрепите шнур питания для предотвращения случайного вытягивания или контакта с нагретой поверхностью.
- Не мойте устройство водой. Мытье устройства может привести к попаданию воды в электрические детали и привести к поражению электрическим током.
- Не чистите и не помещайте устройство в место хранения, пока оно полностью не остынет.
- Детали устройства нельзя мыть в посудомоечной машине.
- Перед чисткой или заполнением устройства выньте вилку из розетки.
- Электроустановка должна соответствовать соответствующим национальным и местным требованиям.
- Убедитесь, что контейнер для масла и нагревательный элемент помещены в безопасное место на кухне из-за высокой температуры устройства во время работы.



- Чтобы избежать возможной опасности возгорания, уровень масла в контейнере не должен быть ниже отметки минимального уровня (L). Следует всегда заботиться о достаточном количестве масла в контейнере.

---

### Монтаж заземления

Миксер является устройством I класса защиты и должен быть заземлен. Заземление снижает риск поражения электрическим током за счет использования отводящего провода. Устройство

оснащено проводом заземления с заземляющей вилкой. Вилка должна быть подключена к розетке переменного тока, которая надлежащим образом установлена и заземлена.

---

### Подготовка перед первым использованием

- Убедитесь, что устройство не повреждено. В случае возникновения каких-либо повреждений, немедленно обратитесь к поставщику и НЕ используйте устройство.
- Снимите упаковку и защитную пленку (если имеются).
- Очистите устройство теплой водой и мягкой тканью.
- Если не указано иное, установите устройство на ровную и устойчивую поверхность.
- Обеспечьте достаточное пространство вокруг устройства для обеспечения его вентиляции.
- Установите устройство так, чтобы всегда иметь хороший доступ к вилке.

---

### Установка

- Устройство оснащено резиновыми ножками. Устройство должно быть размещено на ровной, стабильной, чистой и сухой поверхности, устойчивой к высоким температурам.
- Осторожно прикрепите задний опорный кронштейн устройства с нагревательным элементом на задней части контейнера для масла

Примечание:

1. Убедитесь, что штифт на задней панели устройства надежно закреплен.
2. Перед началом работы убедитесь, что контейнер для масла и нагревательный элемент установлены в кухне в надежном месте из-за высокой температуры устройства во время работы.



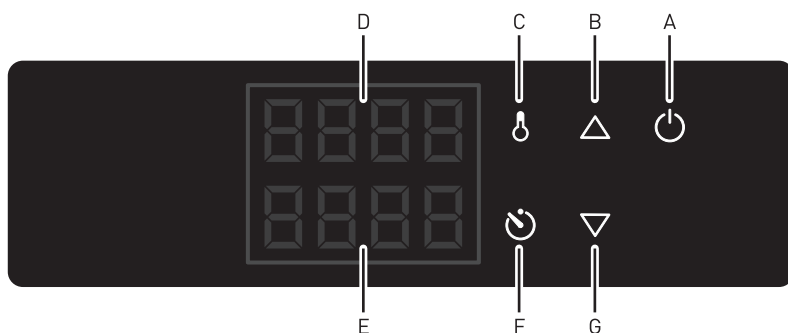
## Основные части устройства



- 1. Панель управления
- 2. Съемный задний кронштейн устройства с нагревательным элементом
- 3. Основной блок с контейнером для масла
- 4. Кнопка RESET (в задней нижней части заднего кронштейна)
- 5. Крышка
- 6. Кран для слива масла (только для моделей 207369 и 207376)
- 7. Ножи
- 8. Корзина для картофеля фри с ручкой
- 9. Планка, поддерживающая корзину

RU

## Панель управления



- A) Переключатель ON/OFF
- B) Кнопка увеличения значения (температуры & таймера)
- C) Кнопка ТЕМПЕРАТУРЫ
- D) Верхний дисплей
- E) Нижний дисплей
- F) Кнопка ТАЙМЕРА
- G) Кнопка уменьшения значения (температуры & таймера)



## Эксплуатация

- Убедитесь, что кран для слива масла закрыт.
- Выньте вилку из розетки.
- Убедитесь, что контейнер для масла чистый и внутри нет воды.
- Осторожно заполните контейнер маслом - уро-

вень масла должен находиться между отметками L (минимальным) и H (максимальным).

- Вставьте заземленную вилку в заземленную электрическую розетку.
- Вы можете начать жарить.

## Жарка во фритюре

Фритюрница оснащена уникальной системой «холодной зоны», которая позволяет отпадать крошкам и остаткам после жарки на дно емкости, что позволяет значительно повысить эффективность жира/масла.

Регулярно проверяйте достаточно ли масла или жира в емкости. Уровень жира никогда не может быть ниже уровня, отмеченного как L (минимальным).

## Обслуживание

### 1. Установка ТЕМПЕРАТУРЫ

1.1 Заполните контейнер маслом и убедитесь, что уровень масла находится между отметками L и H. Следует помнить, что помещение продуктов питания в масле увеличит его уровень. Не помещайте в контейнер мокрые пищевые продукты или одновременно в большом количестве.

1.2 Подключите вилку к подходящей электрической розетке.

1.3 Нажмите кнопку „ON/OFF” - кнопка будет подсвечена. Кнопки УВЕЛИЧЕНИЯ и УМЕНЬШЕНИЯ значения начнут мигать. На верхнем дисплее отобразится текущая заданная температура. (Диапазон температуры: 25 °C ~ 195 °C).

1.4 Нажмите кнопку УВЕЛИЧЕНИЯ или УМЕНЬШЕНИЯ значения, чтобы начался процесс нагрева. На верхнем дисплее отобразится ТЕКУЩАЯ ТЕМПЕРАТУРА масла. Кнопка ТЕМПЕРАТУРЫ будет постоянно мигать.

1.5 Вы также можете выбрать кнопку ТЕМПЕРАТУРЫ для отображения последней ЗАДАН-

НОЙ ТЕМПЕРАТУРЫ на 1-2 секунды. Одновременно нажмите кнопку УВЕЛИЧЕНИЯ или УМЕНЬШЕНИЯ температуры, чтобы изменить ЗАДАННУЮ ТЕМПЕРАТУРУ при необходимости. Нажмите кнопку УВЕЛИЧЕНИЯ или УМЕНЬШЕНИЯ температуры еще раз, чтобы увеличить/уменьшить температуру на 1 °C. Нажмите и удерживайте кнопку, чтобы быстрее изменить заданное значение. После отпущения кнопки, НОВАЯ ТЕМПЕРАТУРА будет автоматически установлена примерно через 2-3 секунды

1.6 Во время нагрева кнопка ТЕМПЕРАТУРЫ будет мигать пока масло не достигнет ЗАДАННОЙ ТЕМПЕРАТУРЫ. После достижения ЗАДАННОЙ ТЕМПЕРАТУРЫ, кнопка ТЕМПЕРАТУРЫ погаснет и устройство будет поддерживать ЗАДАННУЮ ТЕМПЕРАТУРУ ( $\pm 2$  °C).

1.7 После выключения устройства, в верхней строке дисплея отобразится сообщение „oFF”, а в нижней строке дисплея отобразится - „Hot”.

### 2. Установка ТАЙМЕРА

2.1 Во время работы устройства можно установить функцию ТАЙМЕРА.

2.2 Нажмите и удерживайте кнопку ТАЙМЕРА в течение 2-3 секунд для входа в режим настройки ТАЙМЕРА. Кнопки УВЕЛИЧЕНИЯ и УМЕНЬШЕНИЯ начнут мигать.

2.3 В течение 1-2 секунд нажмите кнопку УВЕЛИЧЕНИЯ или УМЕНЬШЕНИЯ значения, чтобы установить время ТАЙМЕРА. Одно нажатие

кнопки изменяет заданное значение на 30 секунд - в нижней строке дисплея будет отображаться текущее время установки ТАЙМЕРА. Нажмите и удерживайте кнопку УВЕЛИЧЕНИЯ или УМЕНЬШЕНИЯ значения, чтобы быстрее установить требуемые значения (диапазон ТАЙМЕРА: 30 секунд - 20 минут).



2.4 Заново установленное время ТАЙМЕРА будет сохранено и через 2-3 секунды начнется обратный отсчет.

2.5 После завершения обратного отсчета в нижней строке дисплея отобразится сообщение „End“. Два коротких звуковых сигнала будут звучать около 1 минуты (длительностью до 10 секунд).

2.6 Нажмите один раз кнопку ТАЙМЕР, чтобы вернуться к последнему установленному времени. Нажмите кнопку ТАЙМЕР еще раз, чтобы войти в режим настройки ТАЙМЕРА и

изменить установленное время. Кнопки УВЕЛИЧЕНИЯ и УМЕНЬШЕНИЯ начнут мигать. Заново установленное время ТАЙМЕРА будет сохранено и через 2-3 секунды начнется обратный отсчет.

Примечание: Планка, поддерживающая корзину, используется для временной поддержки корзины при сливе избыточного масла. Не опирайте корзину в течение длительного времени, чтобы предотвратить её возможное падение или разлив горячего масла.

## Калибровка

Эта функция позволяет пользователю откалибровать и установить „отображаемую температуру“, чтобы она была такая же, как „текущая температура“. Для проведения измерений необходим термометр с зондом (не поставляется с устройством).

- Во время работы устройства, нажмите и удерживайте обе кнопки УВЕЛИЧЕНИЯ или УМЕНЬШЕНИЯ значения в течение 5-6 секунд, чтобы начался „режим калибровки“.
- „Отображаемая температура“ на дисплее начнет мигать.

- Поместите термометр (не поставляется с устройством) в контейнер для масла, чтобы сравнить результаты. Будьте осторожны: масло в контейнере очень горячее.
- При помощи кнопок УВЕЛИЧЕНИЯ или УМЕНЬШЕНИЯ значения, измените «отображаемую температуру» в соответствии с показаниями, полученными с помощью термометра (не поставляемого с устройством).
- По завершении калибровки нажмите кнопку ТЕМПЕРАТУРЫ для подтверждения.

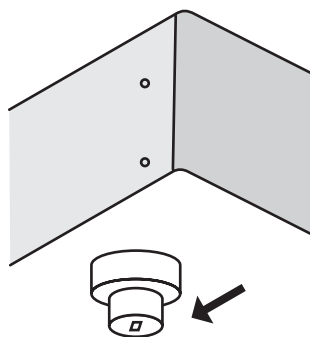
RU

## RESET теплового предохранителя (защита от перегрева)

Обратите внимание, что кнопка RESET, которая является защитой от перегрева, располагается в нижней части съемного заднего кронштейна и защищена колпачком (смотрите на рисунок).

- Сначала, отключите устройство от источника питания, вынимая вилку из розетки.
- Оставьте устройство до полного охлаждения.
- Отсоедините съемный задний кронштейн от основного блока.
- Открутите чёрный защитный колпачок кнопки RESET.
- Нажмите кнопку RESET ограничителя (термовыключателя). Услышите щелчок.
- Прикрутите заново чёрный защитный колпачок кнопки RESET.

- Установите заново съемный задний кронштейн к основному блоку.



## Советы по обжариванию во фритюре

- Используйте жидкое масло (рекомендуется) или жир для жарки.
- Рекомендуемая температура для жарки картофеля фри и закусок составляет максимум 175°C.
- Подогревайте жир медленно. Лучше всего подогревать жир в три этапа, сначала до 100°C, потом от 100-140°C, а затем от 140°C до 175°C с 15-минутными интервалами между каждым шагом.
- Удаляйте лед и крошки из замороженных продуктов.
- Не жарить во фритюре слишком большие порции. Это может привести к падению температуры масла или жира. Охлажденное масло/жир не обжарит нужным образом поверхность,

что приводит к увеличению поглощения жира. Идеальная пропорция замороженных продуктов в масле/жире для жарки во фритюре это максимум 1:10.

- В случае интенсивного использования нужно фильтровать крошки и отработанное масло/жир.
- В нужное время следует поменять масло или жир в устройстве. Чтобы узнать, когда менять масло/жир, регулярно используйте тест-полоски или устройство для тестирования.
- Если масло или жир начинает пениться, дымить или становится слишком липким, нужно поменять масло или жир. Замените масло/жир, когда имеет резкий запах или вкус.

## После использования

- Выключите устройство, и отсоедините кабель от розетки.
- Выньте корзину из контейнера для масла. Благодаря этому, корзина не застынет в загущенном жире.
- Накройте фритюрницу крышкой, для предотвращения старения масла.

## Чистка и обслуживание

- Перед чисткой всегда отключайте устройства от электросети и дайте ему полностью остыть.
- Примечание: Помните, что устройство нельзя погружать в воду или любую другую жидкость!
- Очистите снаружи ткань используйте раствор воды и мягкого моющего средства).
- Никогда не используйте абразивные чистящие средства или абразивные материалы. Не используйте острые или остро заточенные предметы. Не используйте бензин или рас-

творители! Протирайте влажной тканью или жидкостью для мытья посуды. Не используйте абразивные материалы.

- Не чистите устройство пароочистителем или струей воды.
- После чистки устройство нужно повторно собрать убедившись, что контрольная панель (панель отопления) установлена правильно – в противном случае устройство не будет работать должным образом.

## Техническая характеристика

№ продукта	207345	207352	207369	207376
Рабочее напряжение и частота	230В~ 50Гц			
Потребляемая мощность	3500Вт	2 x 3500Вт	3500Вт	2 x 3500Вт
Ёмкость	8L	2 x 8L	8L (с клапаном)	2 x 8L (с клапаном)
Степень защиты	I Класс			
Класс влагозащиты	IPX3			
Диапазон времени таймера	30 секунд ~ 20 минут			
Диапазон температуры	25°C ~ 195°C			
Внешние размеры	300x455x (выс.)345mm	605x455x (выс.)345mm	300x515x (выс.)345mm	605x515x (выс.)345mm

**Внимание: Техническая характеристика может быть изменена без предварительного уведомления.**



## Поиск и устранение неисправностей

Если устройство не работает должным образом, обратитесь к приведенной ниже таблице, чтобы найти правильное решение. Если вы не можете решить проблему, обратитесь к поставщику.

Неисправность	Признак	Причина	Возможное решение
Устройство вообще не реагирует	Не горит оранжевая лампочка	Отсутствие электропитания	Проверьте электроустановку. Неисправность лампочки.
		Включилась система ограничителя (термовыключателя)	Сброс ограничителя (термовыключателя)[См. Стр. 67]
		Авария системы ограничителя (термовыключателя)	Обратитесь к поставщику
		Авария термостата	Обратитесь к поставщику
Устройство не нагревается до желаемой температуры	Долгое время жаренья	Авария термостата	Обратитесь к поставщику
		Авария нагревателя	Обратитесь к поставщику

Если после вышеперечисленных проверок неисправность не устранена, рекомендуем обратиться к поставщику.

**В случаи сомнений, всегда обращайтесь к своему поставщику!**

## Гарантия

Любая недоделка или поломка, которая влечет за собой неправильную работу устройства, которая будет выявлена в течение первого года от даты покупки, будет устранена бесплатно, или же все устройство будет заменено новым, если оно эксплуатировалось и обслуживалось согласно инструкции по обслуживанию и не использовалось неправильно, или в разрез с назначением. Данное положение ни в коей мере не нарушает иных прав потребителя, изложенных в законо-

дательстве. В случае заявления устройства в ремонт или на замену в рамках гарантии, следует указать место и дату покупки устройства и приложить счет, или чековую квитанцию.

Согласно нашей политике совершенствования наших продуктов оставляем за собой право на ввод изменений в конструкцию, упаковку и в технические параметры, указываемые в технической документации без предупреждения.

## Списание с эксплуатации. Защита окружающей среды

Оборудование, изношенное и списанное с эксплуатации следует утилизировать согласно правилам и указаниям, действующим на день снятия с эксплуатации.

Материалы упаковки, такие как пластик, картонные коробки, древесина, следует складировать отдельно в соответствующие контейнеры.

RU




Ευχαριστούμε που αγοράσατε αυτό το προϊόν HENDI. Διαβάστε προσεκτικά το παρόν εγχειρίδιο πριν συνδέσετε τη συσκευή, προκειμένου να προλάβετε πιθανή βλάβη που μπορεί να οφείλεται σε λανθασμένη χρήση. Διαβάστε ιδίως τους κανονισμούς ασφαλείας πολύ προσεκτικά.

## Κανονισμοί ασφαλείας

- Σε περίπτωση εσφαλμένης λειτουργίας ή/και μη κατάλληλης χρήσης της συσκευής, ενδέχεται να προκληθεί σοβαρή βλάβη στη συσκευή και τραυματισμός των χρηστών.
- Αυτή η συσκευή προορίζεται για εμπορική χρήση, π.χ. σε κουζίνες εστιατορίων, κυλικείων, νοσοκομείων και σε εμπορικές επιχειρήσεις, όπως αρτοποιεία, κρεοπωλεία, κλπ, αλλά όχι για μαζική παρασκευή τροφίμων.
- Αυτή η συσκευή προορίζεται μόνο για το τηγάνισμα τροφίμων.
- Κρατήστε τη συσκευή και το βύσμα μακριά από νερό και άλλα υγρά. Σε περίπτωση που η συσκευή πέσει σε νερό, τραβήξτε αμέσως το βύσμα από την πρίζα και απευθυνθείτε σε πιστοποιημένο τεχνικό για να ελέγξει τη συσκευή. Η μη τήρηση αυτών των οδηγιών μπορεί να προκαλέσει καταστάσεις επικίνδυνες για τη ζωή.
- Μην προσπαθήσετε ποτέ να ανοίξετε μόνοι σας το περίβλημα της συσκευής.
- Μην τοποθετείτε αντικείμενα στο περίβλημα της συσκευής.
- Μην αγγίζετε το βύσμα με βρεγμένα χέρια.
- Ελέγχετε τακτικά το βύσμα και το καλώδιο τροφοδοσίας για τυχόν ζημιές. Εάν το βύσμα ή το καλώδιο έχει υποστεί ζημιά, πρέπει να επισκευαστεί από πιστοποιημένη εταιρεία επισκευών.
- Μην χρησιμοποιήσετε τη συσκευή εάν πέσει ή έχει υποστεί ζημιά με οποιονδήποτε άλλο τρόπο. Ελέγξτε και επισκευάστε την, αν χρειάζεται, σε πιστοποιημένη εταιρεία επισκευών.
- Μην προσπαθήσετε να επισκευάσετε μόνοι σας τη συσκευή. Αυτό μπορεί να προκαλέσει απειλητικές για τη ζωή καταστάσεις.
- Βεβαιωθείτε ότι το καλώδιο δεν έρχεται σε επαφή με αιχμηρά ή θερμά αντικείμενα και κρατήστε το μακριά από φωτιά. Για να βγάλετε το βύσμα από την πρίζα, να τραβάτε πάντα το βύσμα και όχι το καλώδιο.
- Βεβαιωθείτε ότι δεν υπάρχει περίπτωση να τραβηχτεί ακούσια το καλώδιο (ή το καλώδιο προέκτασης) ή να σκοντάψει κανείς σε αυτό.
- Να προσέχετε πάντα τη συσκευή κατά τη χρήση.
- Τα παιδιά δεν καταλαβαίνουν ότι η μη κατάλληλη χρήση των ηλεκτρικών συσκευών μπορεί να είναι επικίνδυνη. Συνεπώς, μην τα αφήνετε να χρησιμοποιούν ηλεκτρικές συσκευές.
- Να βγάλετε πάντα το βύσμα από την πρίζα όταν η συσκευή δεν χρησιμοποιείται και πριν από τον καθαρισμό.
- Προειδοποίηση! Όσο το βύσμα είναι στην πρίζα, η συσκευή είναι συνδεδεμένη στην πηγή τροφοδοσίας.
- Απενεργοποιήστε τη συσκευή πριν τραβήξετε το βύσμα από την πρίζα.
- Ποτέ μην μεταφέρετε τη συσκευή από το καλώδιο.
- Μην χρησιμοποιείτε συσκευές που δεν παρέχονται μαζί με τη συσκευή.

- Συνδέστε τη συσκευή μόνο σε ηλεκτρική πρίζα με τάση και συχνότητα που αναφέρονται στην ετικέτα της συσκευής.
- Αποφύγετε την υπερφόρτωση.
- Μετά την χρήση, απενεργοποιήστε τη συσκευή αφαιρώντας το βύσμα από την πρίζα.
- Πριν από την πλήρωση ή τον καθαρισμό της συσκευής, βγάξτε πάντα το βύσμα από την πρίζα.
- Η ηλεκτρική εγκατάσταση πρέπει να συμμορφώνεται με τους ισχύοντες εθνικούς και τοπικούς κανονισμούς.
- Αυτή η συσκευή δεν προορίζεται για χρήση από άτομα (συμπεριλαμβανομένων παιδιών) με μειωμένες σωματικές, αισθητήριες ή διανοητικές ικανότητες ή με έλλειψη πείρας και γνώσης.

## Ειδικές προφυλάξεις ασφαλείας

- Αυτή η συσκευή προορίζεται μόνο για το τηγάνισμα τροφίμων, όπως πατάτες κλπ, για εμπορική χρήση. Οποιαδήποτε άλλη χρήση μπορεί να προκαλέσει ζημιά στη συσκευή ή τραυματισμό.
- Αυτή η συσκευή προορίζεται για εμπορική χρήση, π.χ. σε κουζίνες εστιατορίων, κυλικείων, νοσοκομείων και σε εμπορικές επιχειρήσεις, όπως αρτοποιεία, κρεοπωλεία, κλπ, αλλά όχι για συνεχή μαζική παρασκευή τροφίμων. Η συσκευή πρέπει να χρησιμοποιείται από εκπαιδευμένο προσωπικό.
-  **Προσοχή! Καυτή επιφάνεια!** Η θερμοκρασία της εξωτερικής επιφάνειας είναι υψηλή κατά τη λειτουργία της συσκευής. Αγγίξτε μόνο τα εικονίδια στον πίνακα ελέγχου.
- Όταν η συσκευή τοποθετηθεί κοντά σε τοίχο, χωρίσματα, έπιπλα κουζίνας, διακοσμητικά φινιρίσματα κλπ, προτείνεται τα αντικείμενα αυτά να μην είναι κατασκευασμένα από εύφλεκτα υλικά. Διαφορετικά, θα πρέπει να επενδυθούν με κατάλληλο μη εύφλεκτο θερμομονωτικό υλικό και να τηρούνται αυστηρά οι κανονισμοί πυροπροστασίας.
- Μην τοποθετείτε τη συσκευή επάνω σε αντικείμενα θέρμανσης (βενζίνης, ηλεκτρικό, φούρνο με κάρβουνα κλπ). Διατηρείτε τη συσκευή μακριά από θερμές επιφάνειες και ανοικτές φλόγες. Χρησιμοποιείτε πάντα τη συσκευή σε επίπεδη, σταθερή, καθαρή, στεγνή και ανθεκτική στη θερμότητα επιφάνεια.
- Μην χρησιμοποιείτε τη συσκευή κοντά σε εκρηκτικά ή εύφλεκτα υλικά, πιστωτικές κάρτες, μαγνητικούς δίσκους ή ραδιόφωνα.
- Η συσκευή δεν προορίζεται για λειτουργία μέσω εξωτερικού χρονοδιακόπτη ή ξεχωριστού συστήματος τηλεχειρισμού.
- ΠΡΟΕΙΔΟΠΟΙΗΣΗ: Υπάρχει κίνδυνος πυρκαγιάς αν η στάθμη του λαδιού είναι κάτω από την ένδειξη "L" (ελάχιστη στάθμη) ή εάν δεν υπάρχει καθόλου λάδι στον κάδο λαδιού.
- ΠΡΟΕΙΔΟΠΟΙΗΣΗ: Μην τηγανίζετε υπερβολικά υγρά υλικά ή μεγάλη ποσότητα υλικών ταυτόχρονα, για να αποφύγετε τυχόν φούσκωμα και υπερχειλίση του λαδιού. Το μέγιστο φορτίο δεν θα πρέπει να υπερβαίνει κατά πολύ το 1 κιλό.
- Αφήστε τουλάχιστον 20 cm ελεύθερο χώρο γύρω από τη συσκευή για λόγους αερισμού κατά τη χρήση.



- Χρησιμοποιείτε μόνο κατάλληλο για το τηγάνισμα λάδι ή λίπος. Αντικαταστήστε το λάδι ή το λίπος ανά τακτά χρονικά διαστήματα. Εάν το λάδι ή το λίπος έχει χρησιμοποιηθεί πολύ, μπορεί να αναφλεγεί αν υπερθερμανθεί.”
- Μην βυθίζετε πλαστικά σκεύη μέσα στο ζεστό λάδι ή λίπος.
- Κίνδυνος! Μην ξαναχρησιμοποιείτε πολλές φορές το ίδιο λάδι, καθώς έχει μειωμένο σημείο ανάφλεξης και είναι περισσότερο επιρρεπές να φουσκώσει, αυξάνοντας τον κίνδυνο φωτιάς και επικίνδυνων καταστάσεων.
- Να καθαρίζετε πάντα τη συσκευή και τα λοιπά εξαρτήματα μετά από κάθε χρήση (-> Καθαρισμός και συντήρηση)
- Μην χρησιμοποιείτε πίδακες νερού και μην ξεπλένετε άμεσα με νερό ή συσκευές καθαρισμού με ατμό, καθώς τα εξαρτήματα θα βραχούν και μπορεί να προκληθεί ηλεκτροπληξία.
- Προσοχή! Στερεώστε, εάν είναι απαραίτητο, το καλώδιο τροφοδοσίας για να αποφύγετε τυχόν ακούσιο τράβηγμα ή επαφή με την επιφάνεια θέρμανσης.
- Μην πλένετε τη συσκευή με νερό. Το πλύσιμο μπορεί να προκαλέσει διαρροές και να αυξήσει τον κίνδυνο ηλεκτροπληξίας.
- Μην καθαρίζετε ή αποθηκεύετε τη συσκευή εάν δεν έχει κρυώσει πλήρως.
- Κανένα μέρος της συσκευής δεν είναι κατάλληλο για πλυντήριο πιάτων.
- Πριν από την πλήρωση ή τον καθαρισμό της φριτέζας, βγάzte πάντα το βύσμα από την πρίζα.
- Η ηλεκτρική εγκατάσταση πρέπει να συμμορφώνεται με τους ισχύοντες εθνικούς και τοπικούς κανονισμούς.
- Η φριτέζα πρέπει να τοποθετηθεί σε ασφαλή θέση στην κουζίνα σας πριν από την χρήση της λόγω του καυτού περιεχομένου κατά τη χρήση.
- Για την αποφυγή του κινδύνου πυρκαγιάς, μην αφήνετε το επίπεδο του λαδιού να πέφτει κάτω από την ένδειξη L (ελάχιστη στάθμη). Χρησιμοποιείτε πάντα άφθονο λάδι στον κάδο και να το ελέγχετε κατά τη χρήση.

## Γείωση

Αυτή η συσκευή ταξινομείται στην κλάση προστασίας Ι και πρέπει να συνδέεται με γείωση προστασίας. Η γείωση μειώνει τον κίνδυνο ηλεκτροπληξίας παρέχοντας ένα καλώδιο διαφυγής για το ηλεκτρικό ρεύμα.

Αυτή η συσκευή είναι εξοπλισμένη με καλώδιο που φέρει καλώδιο γείωσης με βύσμα γείωσης. Το βύσμα πρέπει να είναι συνδεδεμένο σε σωστά τοποθετημένη και γειωμένη πρίζα.

## Προετοιμασία πριν από την πρώτη χρήση

- Βεβαιωθείτε ότι η συσκευή δεν φέρει ζημιές. Σε περίπτωση ζημιάς, επικοινωνήστε αμέσως με τον προμηθευτή σας και ΜΗΝ χρησιμοποιήσετε τη συσκευή.
- Αφαιρέστε όλο το υλικό συσκευασίας και την προστατευτική μεμβράνη (αν υπάρχει).
- Καθαρίστε τη συσκευή με κλαρό νερό και ένα μαλακό πανί.
- Τοποθετήστε τη συσκευή σε επίπεδη και σταθερή επιφάνεια, εκτός εάν αναφέρεται διαφορετικά.
- Βεβαιωθείτε ότι υπάρχει αρκετός ελεύθερος χώρος γύρω από τη συσκευή για λόγους αερισμού.
- Τοποθετήστε τη συσκευή με τέτοιο τρόπο ώστε η πρίζα να είναι πάντα προσβάσιμη.



## Τοποθέτηση

- Τοποθετήστε τη συσκευή σε μία επίπεδη, σταθερή, καθαρή, στεγνή και ανθεκτική στη θερμότητα επιφάνεια.
- Τοποθετήστε προσεκτικά το πίσω στήριγμα με το θερμικό στοιχείο στο πίσω μέρος του κάδου λαδιού.

## Σημείωση:

1. Βεβαιωθείτε ότι ο πείρος στο πίσω στήριγμα έχει τοποθετηθεί σωστά.
2. Η συσκευή πρέπει να τοποθετείται σε ασφαλή θέση στην κουζίνα σας πριν τη χρήση, λόγω της αυξημένης θερμοκρασίας που αναπτύσσεται κατά τη χρήση.

## Βασικά εξαρτήματα της συσκευής

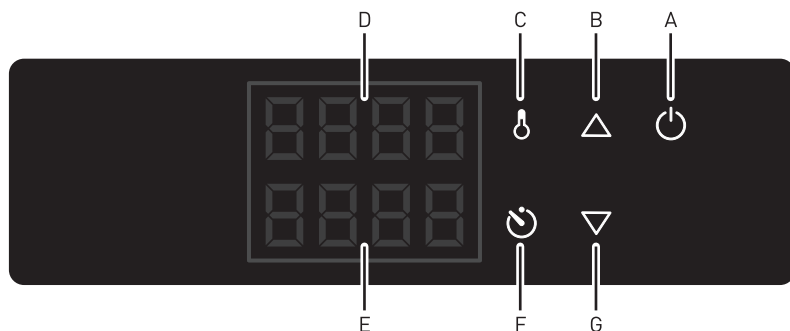


1. Πίνακας ελέγχου
2. Αποσπώμενο πίσω στήριγμα με θερμικό στοιχείο
3. Μονάδα βάσης με κάδο λαδιού
4. Κουμπί ΕΠΑΝΑΦΟΡΑΣ (στο κάτω μέρος του πίσω στήριγματος)
5. Καπάκι

6. Στόμιο εκροής λαδιού (μόνο στα μοντέλα 207369 και 207376)
7. Στήριγματα
8. Κάδος τηγανίσματος με λαβή
9. Καλάθι τηγανίσματος



## Κουμπιά λειτουργιών στον πίνακα ελέγχου



A) Διακόπτης ON/OFF

B) Εικονίδιο αύξησης τιμής (για να αυξήσετε τη θερμοκρασία & τον χρόνο τηγανίσματος)

C) Εικονίδιο ΘΕΡΜΟΚΡΑΣΙΑΣ

D) Επάνω οθόνη

E) Κάτω οθόνη

F) Εικονίδιο ΧΡΟΝΟΜΕΤΡΟΥ

G) Εικονίδιο μείωσης τιμής (για να μειώσετε τη θερμοκρασία & τον χρόνο τηγανίσματος)

### Χρήση

- Βεβαιωθείτε ότι το στόμιο εκροής λαδιού είναι κλειστό.
- Βγάλτε το βύσμα από την πρίζα.
- Βεβαιωθείτε ότι ο κάδος λαδιού είναι καθαρός και απολύτως στεγνός.

- Γεμίστε προσεκτικά τον κάδο με λάδι πάνω από την ένδειξη L (ελάχιστη στάθμη) και μέχρι την ένδειξη H (μέγιστη στάθμη).
- Βάλτε το γειωμένο βύσμα σε μια πρίζα με γείωση.
- Τώρα μπορείτε να χρησιμοποιήσετε τη φριτέζα.

### Βαθύ τηγάνισμα

Η φριτέζα για βαθύ τηγάνισμα διαθέτει μια μοναδική κρύα ζώνη, η οποία επιτρέπει στα ψίχουλα και στα υπολείμματα να βυθίζονται στον πυθμένα του κάδου. Αυτό επεκτείνει σημαντικά τη διάρκεια ζωής του λίπους/λαδιού.

Ελέγχετε τακτικά εάν υπάρχει επαρκής ποσότητα λαδιού ή λίπους στον κάδο. Η στάθμη δεν πρέπει ποτέ να πέφτει κάτω από την ένδειξη L (ελάχιστη στάθμη).

### Λειτουργία

#### 1. Ρύθμιση ΘΕΡΜΟΚΡΑΣΙΑΣ

1.1 Γεμίστε τον κάδο με λάδι και βεβαιωθείτε ότι η στάθμη λαδιού βρίσκεται μεταξύ των ενδείξεων «L» και «H». Σημείωση: Έχετε υπόψη ότι τα υλικά που θα τοποθετηθούν μέσα στο λάδι θα αυξήσουν τη στάθμη του λαδιού. Μην τοποθετείτε μέσα στον κάδο υπερβολικά υγρά υλικά ή μεγάλη ποσότητα υλικών.

1.2 Συνδέστε το βύσμα σε μια κατάλληλη ηλεκτρική πρίζα.

1.3 Πατήστε τον διακόπτη ON/OFF. Η ενδεικτική λυχνία θα ανάψει. Το εικονίδιο ΑΥΞΗΣΗ / ΜΕΙΩΣΗ θα αρχίσει να αναβοσβήνει. Στην επάνω οθόνη θα εμφανιστεί η τρέχουσα ΟΡΙΣΘΕΙΣΑ ΘΕΡΜΟΚΡΑΣΙΑ. (Εύρος ΘΕΡΜΟΚΡΑΣΙΑΣ: 25°C ~ 195°C).

1.4 Πατήστε το εικονίδιο ΑΥΞΗΣΗ ή ΜΕΙΩΣΗ για να ξεκινήσει η λειτουργία θέρμανσης. Στην επάνω οθόνη θα εμφανιστεί η ΠΡΑΓΜΑΤΙΚΗ ΘΕΡΜΟΚΡΑΣΙΑ του λαδιού και το εικονίδιο ΘΕΡΜΟΚΡΑΣΙΑ θα αναβοσβήνει.

1.5 Μπορείτε επίσης να πατήσετε το εικονίδιο ΘΕΡΜΟΚΡΑΣΙΑ για να εμφανιστεί η τελευταία ΟΡΙΣΘΕΙΣΑ ΘΕΡΜΟΚΡΑΣΙΑ για 1-2 δευτερόλεπτα. Πιέστε το εικονίδιο ΑΥΞΗΣΗ ή ΜΕΙΩΣΗ για να ρυθμίσετε τη ΟΡΙΣΘΕΙΣΑ ΘΕΡΜΟΚΡΑΣΙΑ, εάν χρειάζεται. Πατήστε μία φορά το εικονίδιο ΑΥΞΗΣΗ ή ΜΕΙΩΣΗ για να αυξήσετε ή να μειώσετε τη θερμοκρασία κατά +1,0°C / -1,0°C αντίστοιχα. Πιέστε πατημένο για γρήγορη ρύθμιση. Εντός περιόδου 2-3 δευτερολέπτων αφού σταματήσετε να πατάτε το εικονίδιο, η νέα ΟΡΙΣΘΕΙΣΑ ΘΕΡΜΟΚΡΑΣΙΑ θα αποθηκευτεί αυτόματα.

1.6 Υπό λειτουργία θέρμανσης, το εικονίδιο ΘΕΡΜΟΚΡΑΣΙΑ θα αναβοσβήνει έως ότου επιτευχθεί η ΟΡΙΣΘΕΙΣΑ ΘΕΡΜΟΚΡΑΣΙΑ. Όταν επιτευχθεί η ΟΡΙΣΘΕΙΣΑ ΘΕΡΜΟΚΡΑΣΙΑ, το εικονίδιο ΘΕΡΜΟΚΡΑΣΙΑ θα σταματήσει να αναβοσβήνει και η θερμοκρασία θα διατηρηθεί σε εύρος  $\pm 2^{\circ}\text{C}$ .

1.7 Όταν απενεργοποιήσετε τη συσκευή, στην επάνω οθόνη θα εμφανιστεί η ένδειξη «OFF» και στην κάτω οθόνη η ένδειξη «Hot».

## 2. Ρύθμιση ΧΡΟΝΟΜΕΤΡΟΥ

2.1 Μπορείτε να ενεργοποιήσετε τη λειτουργία ΧΡΟΝΟΜΕΤΡΟ ενώ η συσκευή βρίσκεται σε λειτουργία.

2.2 Πατήστε πατημένο το εικονίδιο ΧΡΟΝΟΜΕΤΡΟ για 2-3 δευτερόλεπτα για μετάβαση στη λειτουργία ρύθμισης ΧΡΟΝΟΜΕΤΡΟΥ. Το εικονίδιο ΑΥΞΗΣΗ ή ΜΕΙΩΣΗ θα αρχίσει να αναβοσβήνει.

2.3 Εντός 1-2 δευτερολέπτων, πιέστε το εικονίδιο ΑΥΞΗΣΗ ή ΜΕΙΩΣΗ για να ρυθμίσετε το ΧΡΟΝΟΜΕΤΡΟ. Πιέστε μία φορά για να αυξήσετε ή να μειώσετε τον χρόνο κατά 30 δευτερόλεπτα. Στην κάτω οθόνη θα εμφανιστεί ο καθορισμένος χρόνος αντίστροφης μέτρησης για το ΧΡΟΝΟΜΕΤΡΟ. Πιέστε παρατεταμένα το εικονίδιο ΑΥΞΗΣΗ ή ΜΕΙΩΣΗ για γρήγορη ρύθμιση (Εύρος ΧΡΟΝΟΜΕΤΡΟΥ: 30 δευτερόλεπτα ~ 20 λεπτά).

2.4 Η νέα ορισθείσα τιμή του ΧΡΟΝΟΜΕΤΡΟΥ θα αποθηκευτεί και η αντίστροφη μέτρηση θα ξεκινήσει εντός περίπου 2-3 δευτερολέπτων.

2.5 Όταν ολοκληρωθεί η αντίστροφη μέτρηση, η ένδειξη «End» θα αρχίσει να αναβοσβήνει στην κάτω οθόνη. Μέσα σε διάστημα ενός λεπτού, θα ακουστούν δύο σύντομοι ήχοι διάρκειας περίπου 10 δευτερολέπτων.

2.6 Πατήστε μία φορά το εικονίδιο ΧΡΟΝΟΜΕΤΡΟ για μετάβαση στην τελευταία ορισθείσα τιμή. Πατήστε ξανά το εικονίδιο ΧΡΟΝΟΜΕΤΡΟ για να μεταβείτε στη λειτουργία ρύθμισης ΧΡΟΝΟΜΕΤΡΟΥ και να αλλάξετε την τιμή. Το εικονίδιο ΑΥΞΗΣΗ ή ΜΕΙΩΣΗ θα αρχίσει να αναβοσβήνει. Η νέα ορισθείσα τιμή του ΧΡΟΝΟΜΕΤΡΟΥ θα αποθηκευτεί και η αντίστροφη μέτρηση θα ξεκινήσει ξανά εντός περίπου 2-3 δευτερολέπτων.

Προσοχή: Η βάση του κάδου τηγανίσματος παρέχεται μόνο για προσωρινή χρήση, για την αφαίρεση του περιττού λαδιού. Μην αφήνετε τον κάδο στη βάση για μεγάλο χρονικό διάστημα, για να αποφύγετε την τυχαία πτώση και διαρροή του ζεστού λαδιού.

GR

## Λειτουργία Βαθμονόμησης

Αυτή η λειτουργία επιτρέπει στον χρήστη να βαθμονομεί και να ευθυγραμμίζει την «εμφανιζόμενη θερμοκρασία» με την «πραγματική θερμοκρασία». Για τη μέτρηση απαιτείται βαθμονομημένο θερμόμετρο με αισθητήρα (δεν περιλαμβάνεται).

- Κατά τη λειτουργία της συσκευής, πιέστε παρατεταμένα το εικονίδιο ΑΥΞΗΣΗ και ΜΕΙΩΣΗ για 5-6 δευτερόλεπτα για μετάβαση στη «λειτουργία βαθμονόμησης».
- Στη συνέχεια, η «εμφανιζόμενη θερμοκρασία» θα αρχίσει να αναβοσβήνει σταθερά.

- Τοποθετήστε το θερμόμετρο (δεν περιλαμβάνεται) μέσα στον κάδο λαδιού για σύγκριση. Προσέχετε γιατί το λάδι είναι καυτό.
- Σε σταθερή κατάσταση, πατήστε το εικονίδιο ΑΥΞΗΣΗ ή ΜΕΙΩΣΗ για να ευθυγραμμίσετε την «εμφανιζόμενη θερμοκρασία» με την ένδειξη του θερμόμετρου (δεν περιλαμβάνεται).
- Μετά την ολοκλήρωση της βαθμονόμησης, πατήστε το εικονίδιο ΘΕΡΜΟΚΡΑΣΙΑ για να επιβεβαιώσετε.

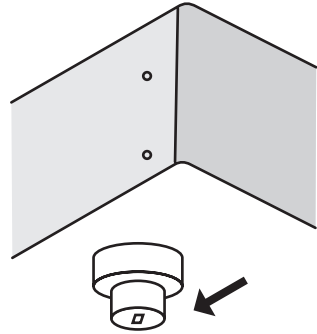


## ΕΠΑΝΑΦΟΡΑ της διάταξης περιορισμού (θερμική διακοπή)

Το κουμπί ΕΠΑΝΑΦΟΡΑ, για την αποφυγή υπερθέρμανσης, φέρει προστατευτικό κάλυμμα και βρίσκεται στο κάτω μέρος του αποσπώμενου πίσω στηρίγματος (βλ. σχέδιο)

- Αποσυνδέστε πρώτα τη φριτζέρα από την πρίζα.
- Αφήστε τη φριτζέρα να κρυώσει τελείως.
- Αφαιρέστε το αποσπώμενο πίσω στηρίγμα από το στηρίγμα.
- Ξεβιδώστε το μαύρο προστατευτικό κάλυμμα του κουμπιού ΕΠΑΝΑΦΟΡΑ.
- Πατήστε το κουμπί ΕΠΑΝΑΦΟΡΑ στη διάταξη περιορισμού (θερμική διακοπή). Πρέπει να ακουστεί ένα κλικ.
- Βιδώστε ξανά το προστατευτικό κάλυμμα στο κουμπί ΕΠΑΝΑΦΟΡΑ.

- Επανατοποθετήστε το αποσπώμενο πίσω στηρίγμα.



## Συμβουλές για τηγάνισμα

- Χρησιμοποιείτε μόνο λάδι για τηγάνισμα (συνιστάται) ή λίπος.
- Η ανώτατη συνιστώμενη θερμοκρασία τηγανίσματος είναι 175°C.
- Ζεστάνετε το λάδι αργά. Κατά προτίμηση σε 3 βήματα, π.χ. πρώτα στους 100°C, μετά στους 100-140°C και αργότερα από τους 140°C έως τους 175°C με διαλείμματα 15 λεπτών μεταξύ των βημάτων.
- Αφαιρείτε τον πάγο από τα κατεψυγμένα τρόφιμα.
- Μην τηγανίζετε υπερβολική ποσότητα υλικών ταυτόχρονα. Αυτό μπορεί να προκαλέσει την απώλεια θερμοκρασίας στο λάδι ή το λίπος. Το παγωμένο λάδι/λίπος δεν τηγανίζει σωστά την επιφάνεια του υλικού και έτσι απορροφάται περισσότερο λίπος. Η ιδανική αναλογία κατεψυγμένων υλικών και λαδιού/λίπους τηγανίσματος είναι 1:10.

- Όταν το λάδι/λίπος χρησιμοποιείται τακτικά, τα ψίχουλα και άλλα υπολείμματα πρέπει να αφαιρούνται από αυτό.
- Αντικαθιστάτε το λάδι ή το λίπος τακτικά. Χρησιμοποιείτε τακτικά δοκιμαστικές ταινίες ή άλλο δοκιμαστικό εξοπλισμό για να ελέγχετε πότε πρέπει να αντικαταστήσετε το λάδι/λίπος.
- Εάν το λάδι ή το λίπος αρχίζει να φουσκώνει, να βγάζει καπνό ή να γίνεται υπερβολικά παχύρρευστο, πρέπει να το αντικαταστήσετε. Αντικαταστήστε επίσης το λάδι/λίπος σε περίπτωση έντονης μυρωδιάς ή γεύσης.

## Μετά τη χρήση

- Απενεργοποιήστε τη συσκευή, θέτοντας τον διακόπτη σε θέση «OFF» και αφαιρώντας το βύσμα από την πρίζα.
- Αφαιρέστε το καλάθι από τον κάδο λαδιού. Με αυτόν τον τρόπο, ο κάδος δεν κολλάει στο στερεοποιημένο λίπος.

- Τοποθετήστε το καπάκι στη φριτζέρα, ώστε να μη χαλάει το λάδι.

## Καθαρισμός και Συντήρηση

- Πριν από τον καθαρισμό της συσκευής, πρέπει να βγάσετε πάντα το βύσμα από την πρίζα και να την αφήσετε να κρυώσει τελείως.
- Προσοχή: Μην βυθίζετε ποτέ τη συσκευή σε νερό ή σε άλλο υγρό!
- Καθαρίζετε την εξωτερική επιφάνεια της συσκευής με ένα υγρό πανί (νερό με ήπιο καθαριστικό).
- Ποτέ μην χρησιμοποιείτε επιθετικά ή λειαντικά καθαριστικά. Μην χρησιμοποιείτε αιχμηρά ή κοφτερά αντικείμενα. Μην χρησιμοποιείτε βενζίνη ή

διαλύτες! Καθαρίστε με ένα υγρό πανί και απορρυπαντικό, εάν είναι απαραίτητο. Μην χρησιμοποιείτε λειαντικά υλικά.

- Μην καθαρίζετε τη συσκευή με ατμοκαθαριστή ή εκτοξευτήρα νερού.
- Συναρμολογήστε τη συσκευή μετά τον καθαρισμό και διασφαλίστε ότι ο πίνακας θέρμανσης και ελέγχου έχει τοποθετηθεί σωστά, διαφορετικά η συσκευή δεν θα λειτουργήσει.

## Τεχνικές προδιαγραφές

Αρ. προϊόντος	207345	207352	207369	207376
Τάση και συχνότητα λειτουργίας	230V~ 50Hz			
Ονομαστική ισχύς εισόδου	3500W	2 x 3500W	3500W	2 x 3500W
Χωρητικότητα	8L	2 x 8L	8L (με στόμιο)	2 x 8L (με στόμιο)
Κατηγορία προστασίας	Κατηγορία I			
Κλάση προστασίας νερού	IPX3			
Εύρος χρονόμετρου	30 δευτερόλεπτα ~ 20 λεπτά			
Εύρος θερμοκρασίας	25°C ~ 195°C			
Εξωτερικές διαστάσεις	300x455x(H)345mm	605x455x(H)345mm	300x515x(H)345mm	605x515x(H)345mm

**Σημείωση: Οι τεχνικές προδιαγραφές μπορούν να τροποποιηθούν χωρίς προηγούμενη ειδοποίηση.**

## Αντιμετώπιση προβλημάτων

**Αν η συσκευή δεν λειτουργεί σωστά, συμβουλευτείτε τον παρακάτω πίνακα για πιθανές λύσεις. Αν συνεχίσετε να μην μπορείτε να επιλύσετε το πρόβλημα, επικοινωνήστε με τον προμηθευτή/πάροχο σέρβις.**

Πρόβλημα	Σύμπτωμα	Πιθανή αιτία	Πιθανή λύση
Η συσκευή δεν λειτουργεί	Ελαττωματικό στοιχείο	Δεν υπάρχει τάση δικτύου.	Ελέγξτε την ηλεκτρική εγκατάσταση. Ελαττωματικός διακόπτης φωτισμού
		Ενεργοποίηση περιοριστή (θερμική διακοπή)	ΕΠΑΝΑΦΕΡΕΤΕ την διάταξη περιορισμού (θερμική διακοπή) (Δείτε ΕΠΑΝΑΦΟΡΑ στη σελίδα 76).
		Ελαττωματική διάταξη περιορισμού (θερμική διακοπή)	Επικοινωνήστε με τον προμηθευτή σας.
		Ελαττωματικός θερμοστάτης	Επικοινωνήστε με τον προμηθευτή σας.
Η συσκευή δεν φτάνει στη ρυθμισμένη θερμοκρασία..	Μεγάλη διάρκεια ηγνάνισματος	Ελαττωματικός θερμοστάτης	Επικοινωνήστε με τον προμηθευτή σας.
		Ελαττωματικό στοιχείο	Επικοινωνήστε με τον προμηθευτή σας.

**Εάν μετά τους παραπάνω ελέγχους, η δυσλειτουργία συνεχίζεται, προτείνεται να επικοινωνήσετε με την τεχνική βοήθεια.**

**Εάν έχετε αμφιβολίες, να επικοινωνείτε πάντα με τον προμηθευτή σας!**



---

## Εγγύηση

Οποιοδήποτε ελάττωμα επηρεάζει τη λειτουργικότητα της συσκευής που γίνεται προφανές ένα χρόνο μετά την αγορά της, θα διορθώνεται με δωρεάν επισκευή ή αντικατάσταση, αρκεί η συσκευή να έχει χρησιμοποιηθεί και συντηρηθεί σύμφωνα με τις οδηγίες και να μην έχει γίνει κατάχρηση ή λανθασμένη χρήση της με οποιονδήποτε τρόπο. Δε τίγονται τα νόμιμα δικαιώματά σας. Εάν η συσκευή υποστηρίζεται

από εγγύηση, δηλώστε πού και πότε έχει αγοραστεί και συμπεριλάβετε την απόδειξη αγοράς (π.χ. απόδειξη λιανικής πώλησης).

Σύμφωνα με την πολιτική μας για τη συνεχή εξέλιξη των προϊόντων μας, διατηρούμε το δικαίωμα να αλλάξουμε το προϊόν, τη συσκευασία και τις προδιαγραφές τεκμηριωσής του χωρίς προειδοποίηση.

---

## Απόρριψη & Περιβάλλον

Στο τέλος της διάρκειας ζωής της συσκευής, απορρίψτε τη συσκευή σύμφωνα με τους κανονισμούς και τις κατευθυντήριες γραμμές που ισχύουν τη συγκεκρι-

μεν χρονική στιγμή.

Πετάξτε τα υλικά συσκευασίας, όπως το πλαστικό και τα κουτιά, στα κατάλληλα σημεία απόρριψης.

ΣΕΡΒΙΣ ΕΛΛΑΔΟΣ:

Serviceworld

τηλ.: 210.6203.838 (10 γραμμές)

info@serviceworld.gr

www.serviceworld.gr



**Hendi B.V.**

Steenoven 21  
3911 TX Rhenen, The Netherlands  
**Tel:** +31 (0)317 681 040  
**Email:** info@hendi.eu

**Hendi Food Service Equipment Romania Srl**

Str. 13 decembrie 94A, Hala 14  
Braşov, 500164, Romania  
**Tel:** +40 268 320330  
**Email:** office@hendi.ro

**Hendi Polska Sp. z o.o.**

ul. Magazynowa 5  
62-023 Gądko, Poland  
**Tel:** +48 61 6587000  
**Email:** info@hendi.pl

**PKS Hendi South East Europe SA**

5 Metsovou Str.  
18346 Moschato, Athens, Greece  
**Tel:** +30 210 4839700  
**Email:** office.greece@hendi.eu

**Hendi Food Service Equipment GmbH**

Gewerbegebiet Ehring 15  
5112 Lamprechtshausen, Austria  
**Tel:** +43 (0) 6274 200 10 0  
**Email:** office.austria@hendi.eu

**Hendi HK Ltd.**

1208, 12/F Exchange Tower  
33 Wang Chiu Road, Kowloon Bay, Hong Kong  
**Tel:** +852 2154 2618  
**Email:** info-hk@hendi.eu

**Hendi UK Ltd.**

Central Barn, Hornby Road  
Lancaster, LA2 9JX, United Kingdom  
**Tel:** +44 (0)333 0143200  
**Email:** sales@hendi.co.uk

**Find Hendi on internet:**

[www.hendi.eu](http://www.hendi.eu)  
[www.facebook.com/HendiFoodServiceEquipment](https://www.facebook.com/HendiFoodServiceEquipment)  
[www.linkedin.com/company/hendi-food-service-equipment-b.v.](https://www.linkedin.com/company/hendi-food-service-equipment-b.v.)  
[www.youtube.com/HendiEquipment](https://www.youtube.com/HendiEquipment)

- Changes, printing and typesetting errors reserved.
- Änderungen und Druckfehler vorbehalten.
- Wijzigingen en drukfouten voorbehouden.
- Producent zastrzega sobie prawo do zmian oraz błędów drukarskich w instrukcji.
- Variations et fautes d'impression réservés.

- Errori di cambiamenti, di stampa e di impaginazione riservati.
- Drepturi rezervate cu privire la modificări și greșeli de imprimare.
- Изменения, печати и верстки ошибки защищены.
- Με επιφύλαξη αλλαγών, λαθών εκτύπωσης και στοιχειοθεσίας.