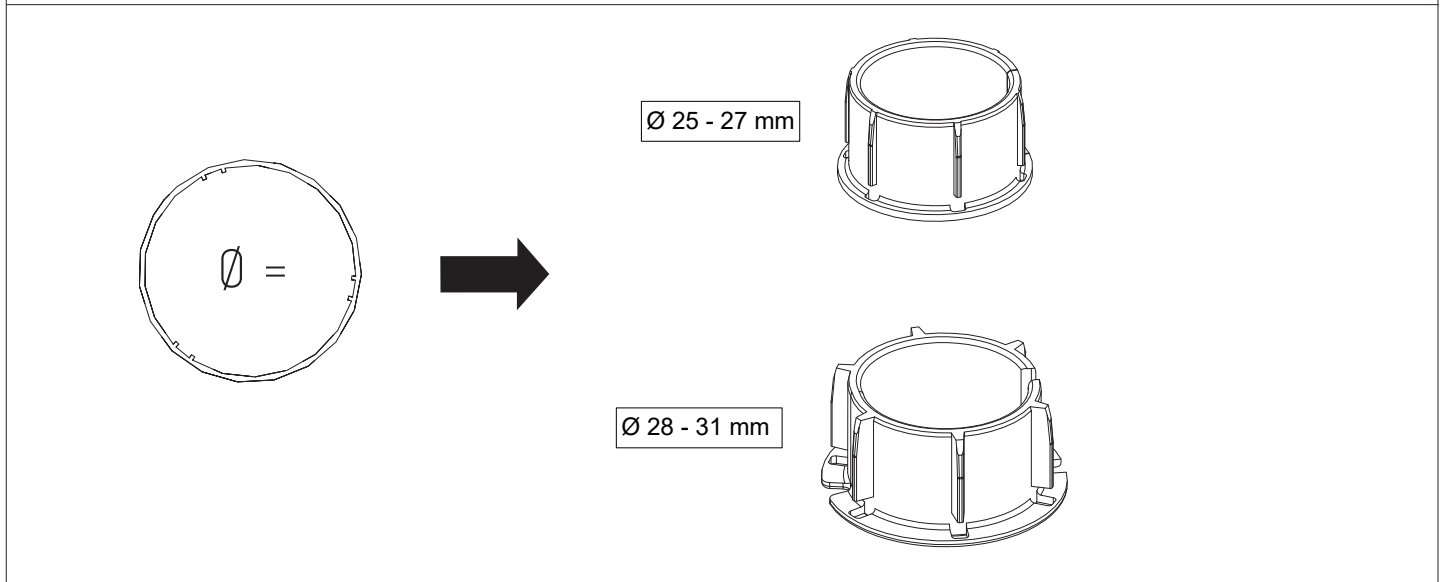
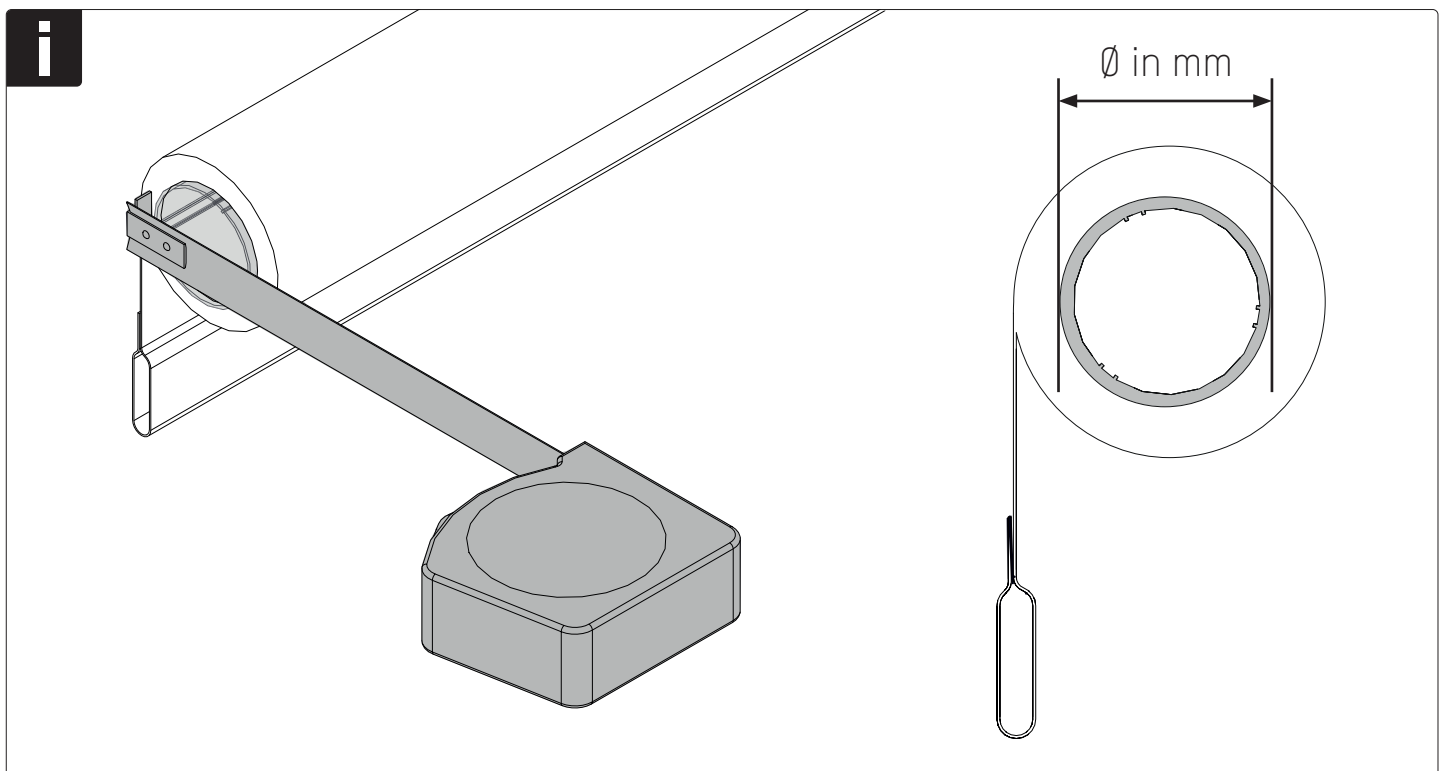
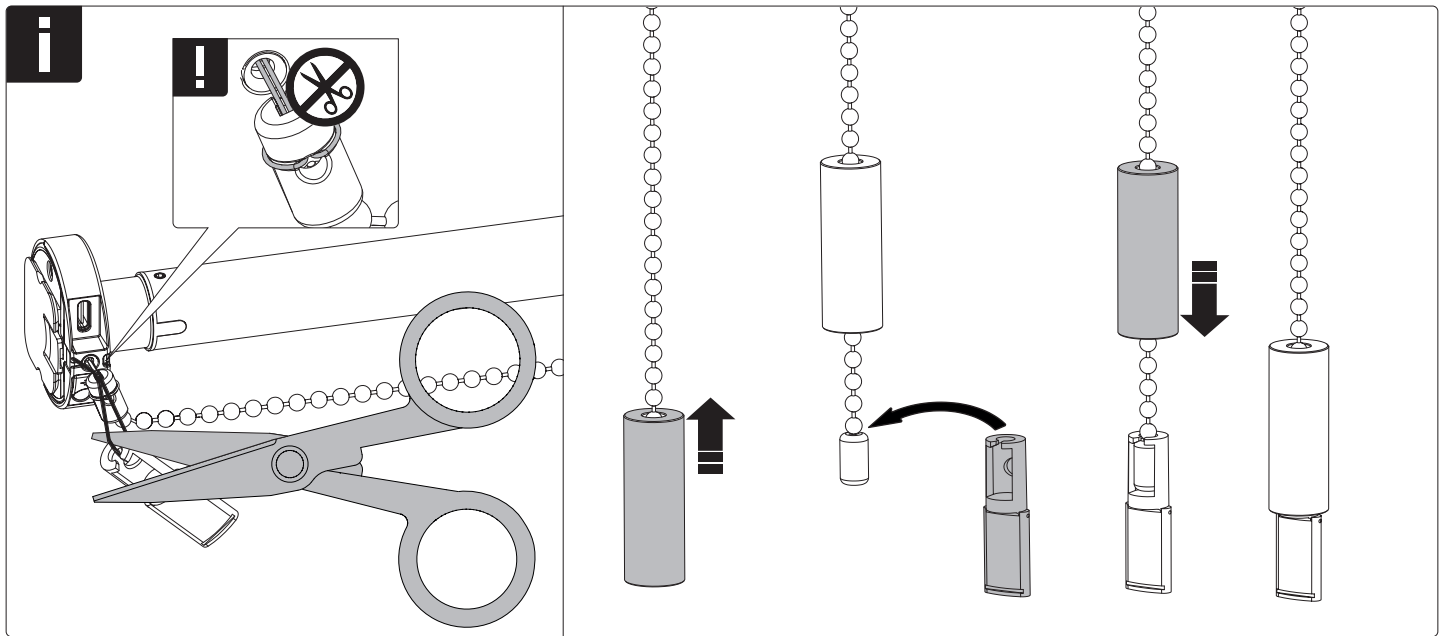
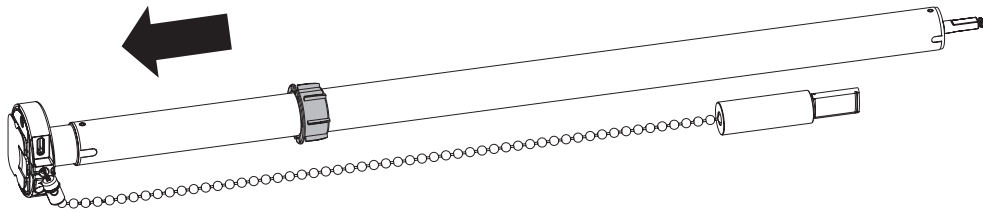


MN220013_20220808

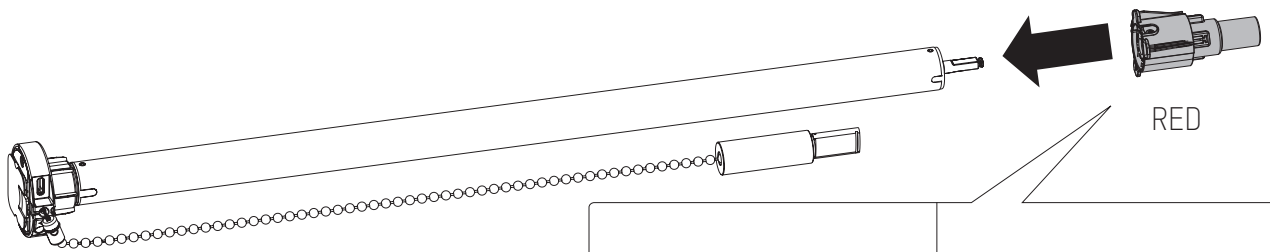


MN220013_20220808

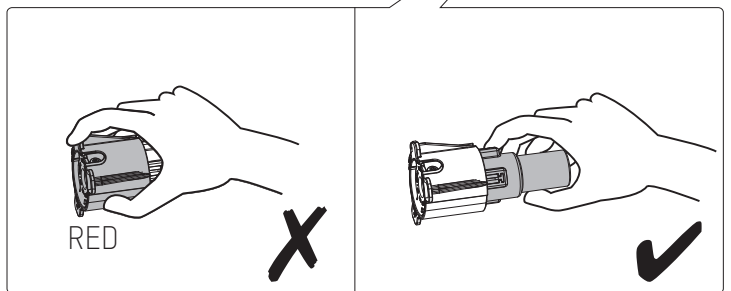
1



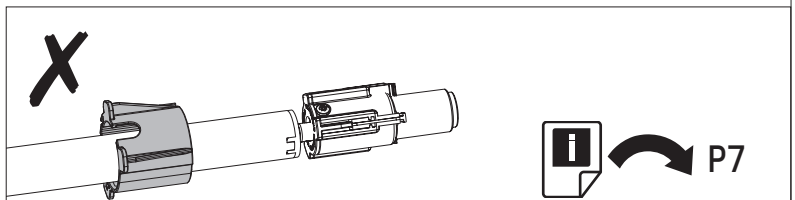
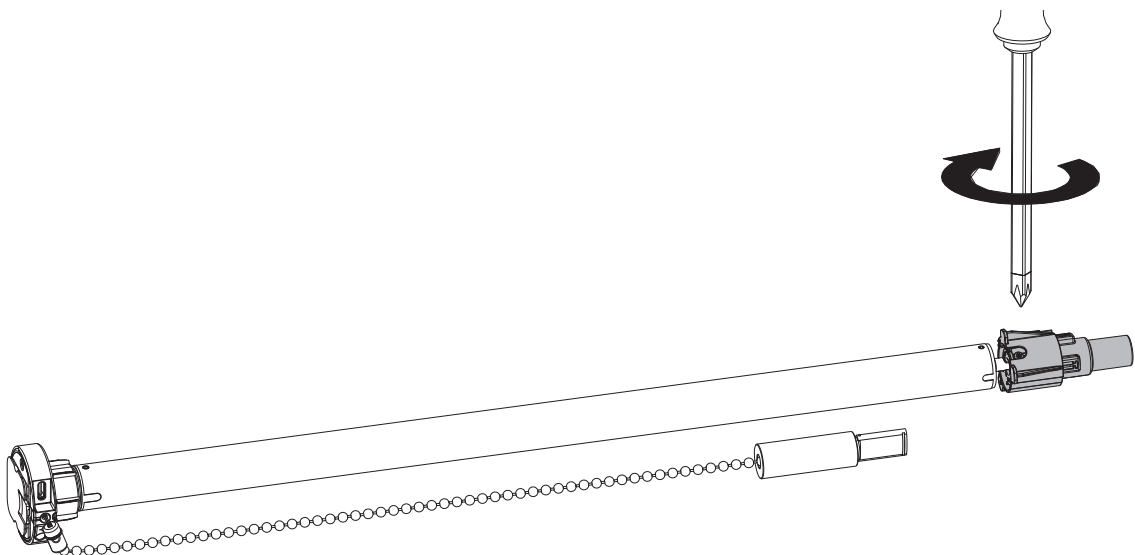
1



2

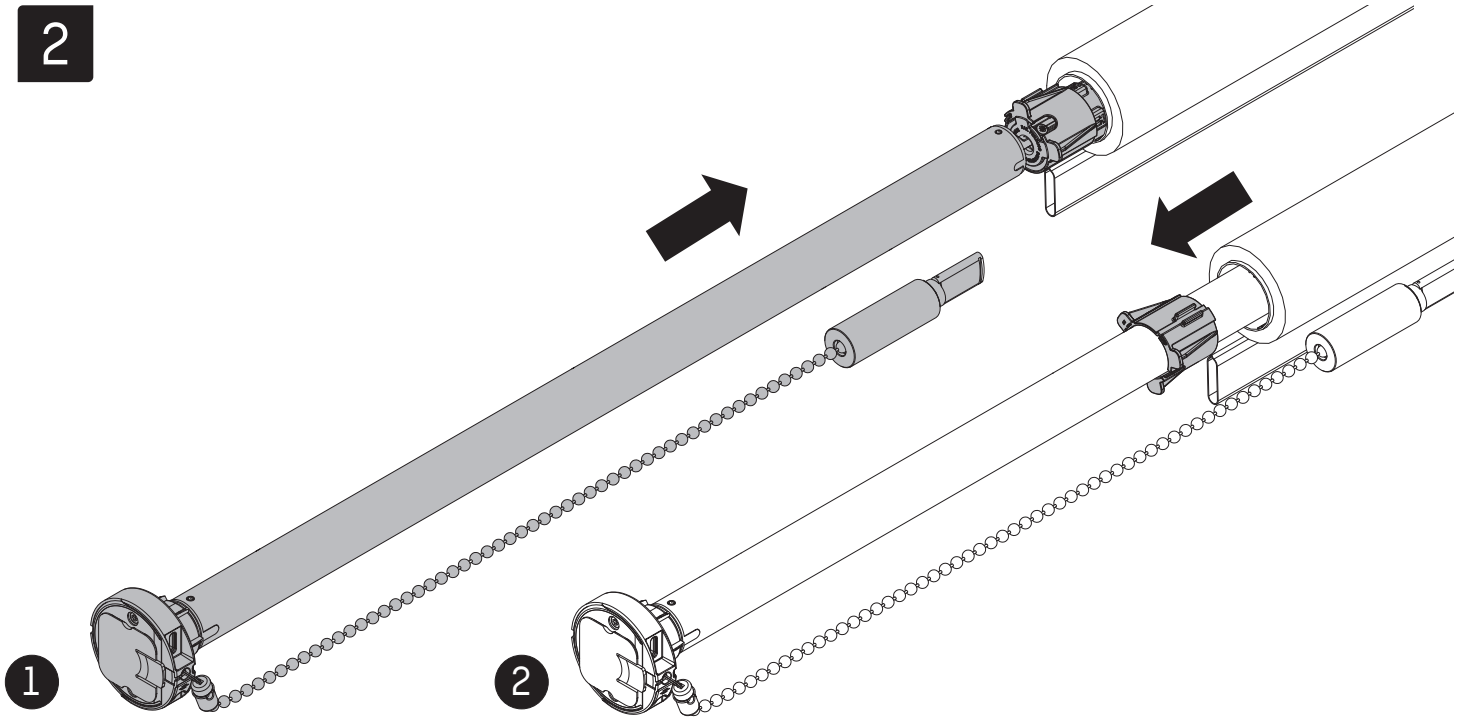


3



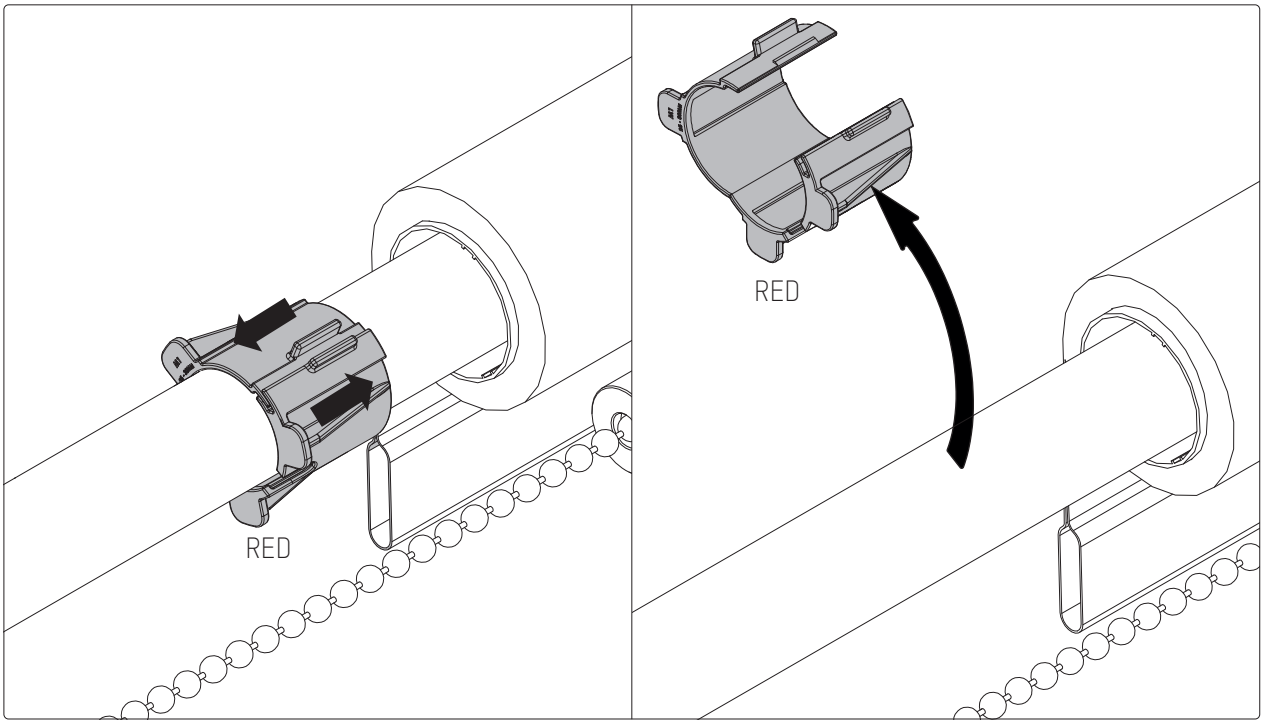
MN220013_20220808

2



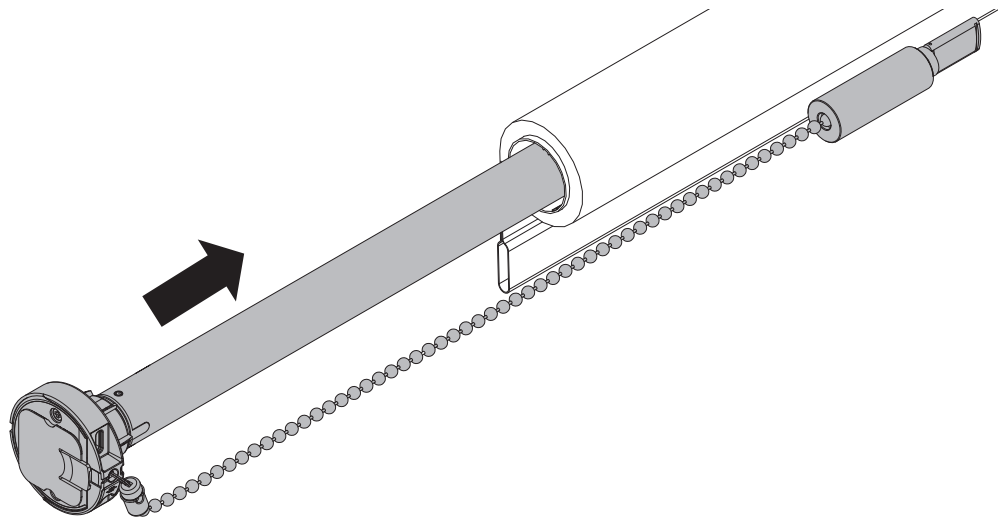
1

2



3

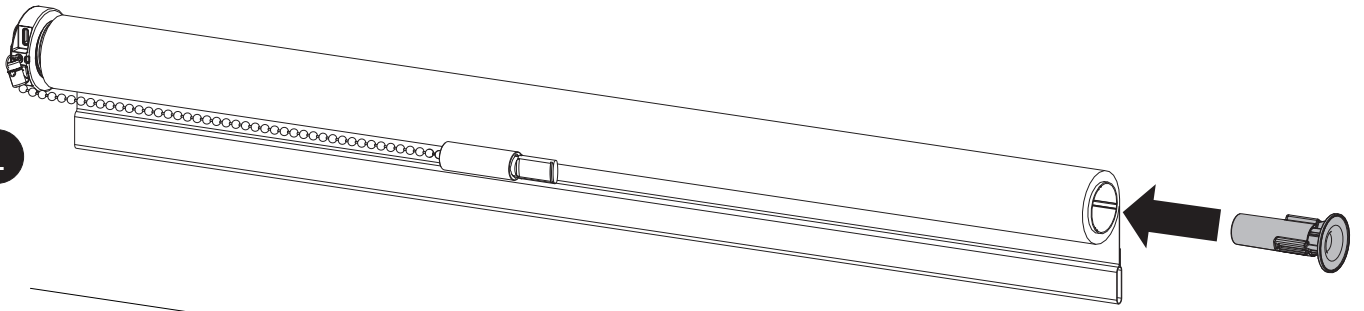
3



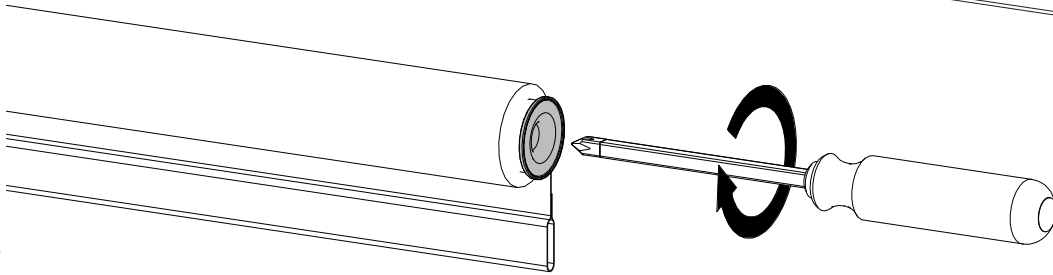
MN220013_20220808

4

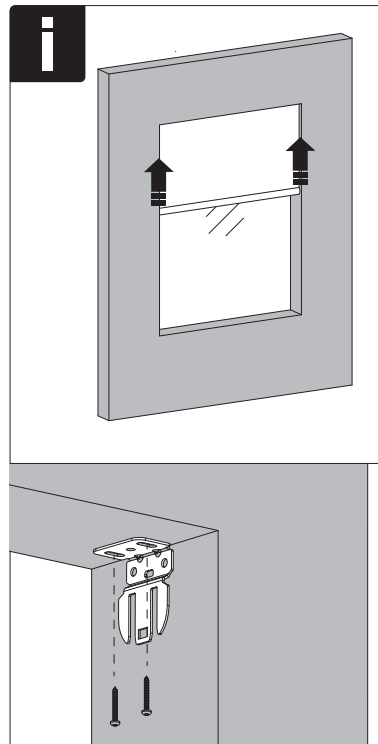
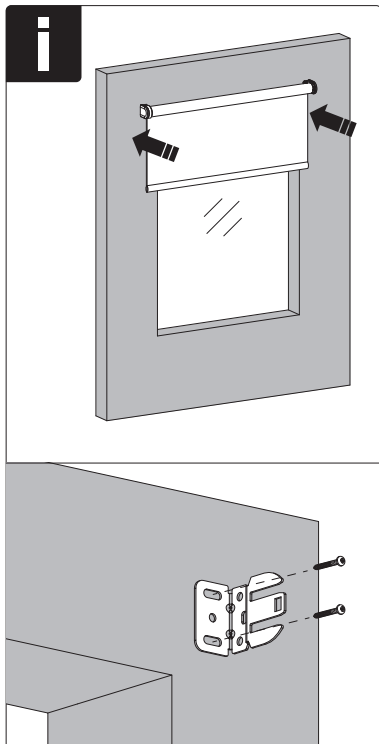
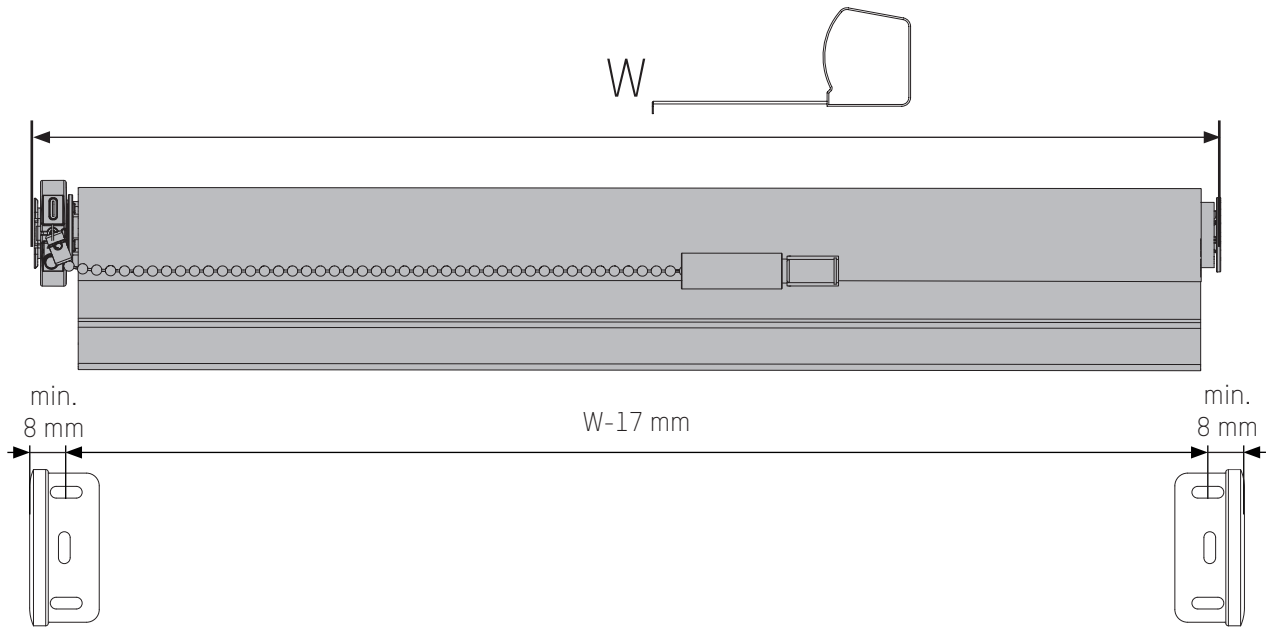
1

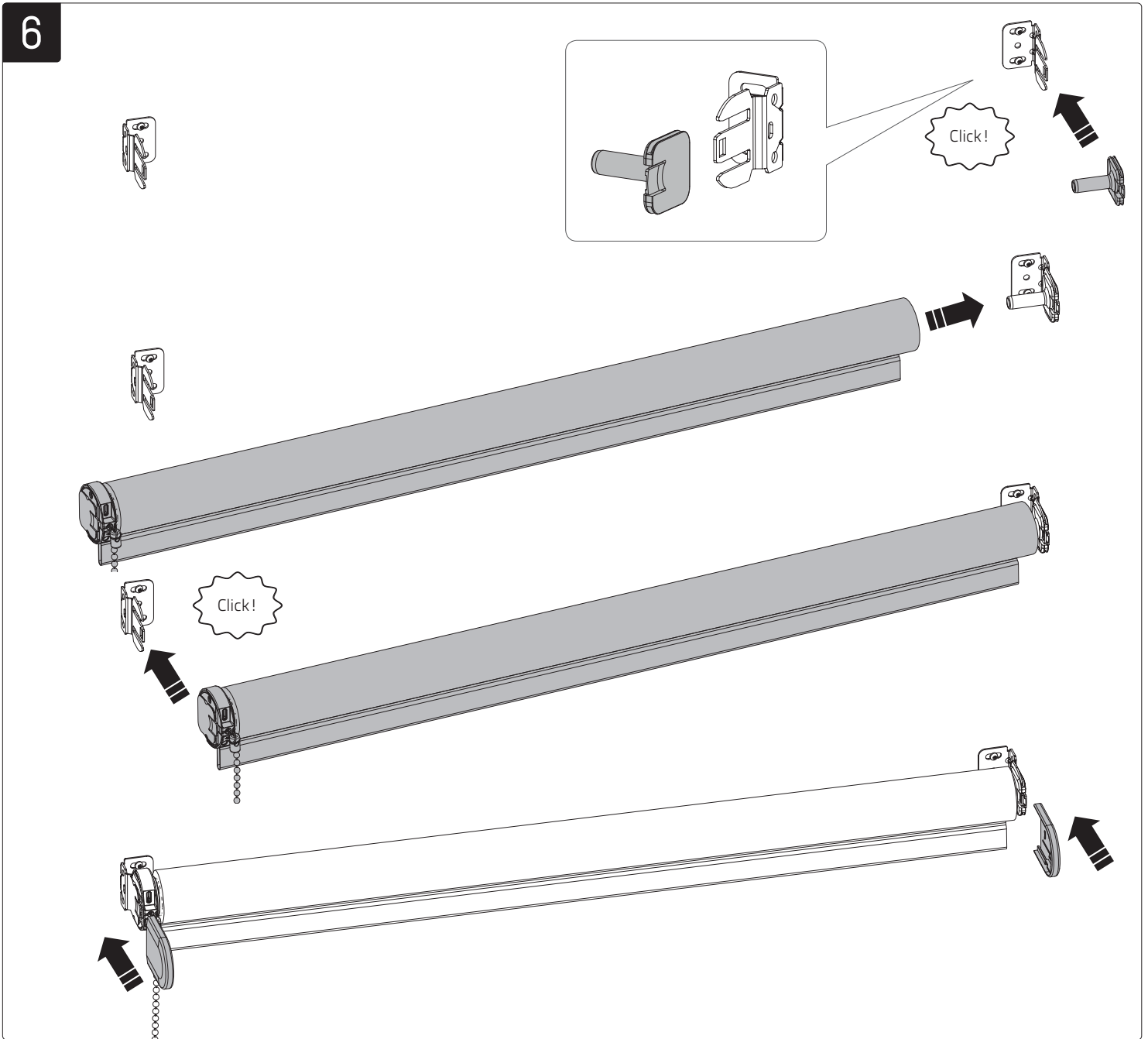


2

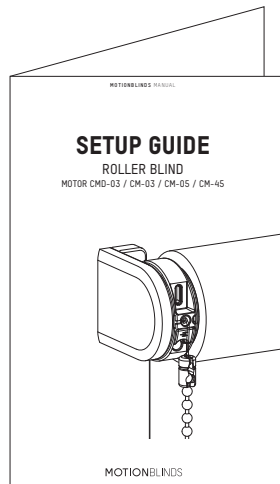


5

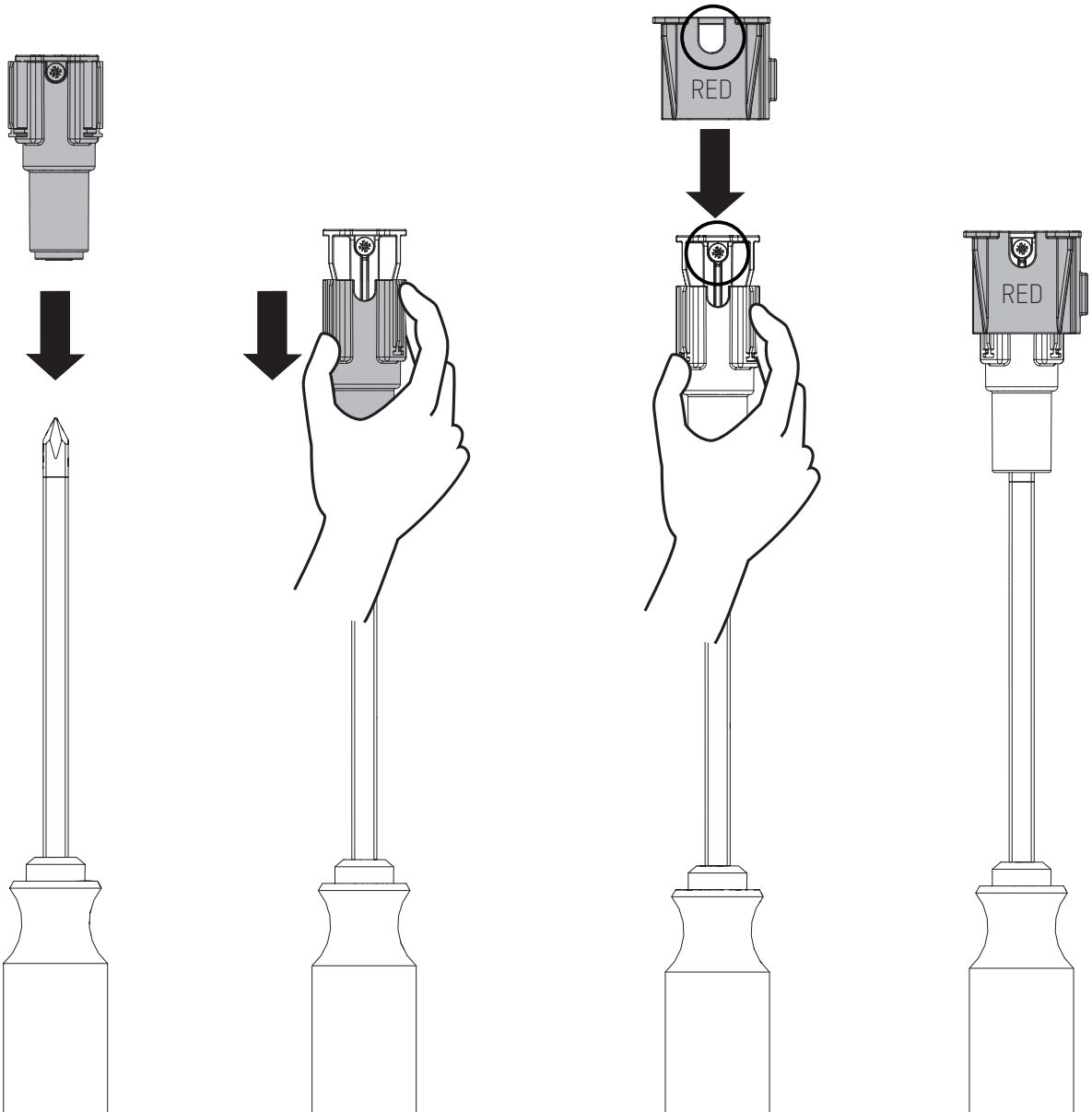




Follow the steps in the manual CMD-03 to activate the blind:



i Troubleshoot



i For more information and support:



rtube.nl/red1910