

1

2

3

4

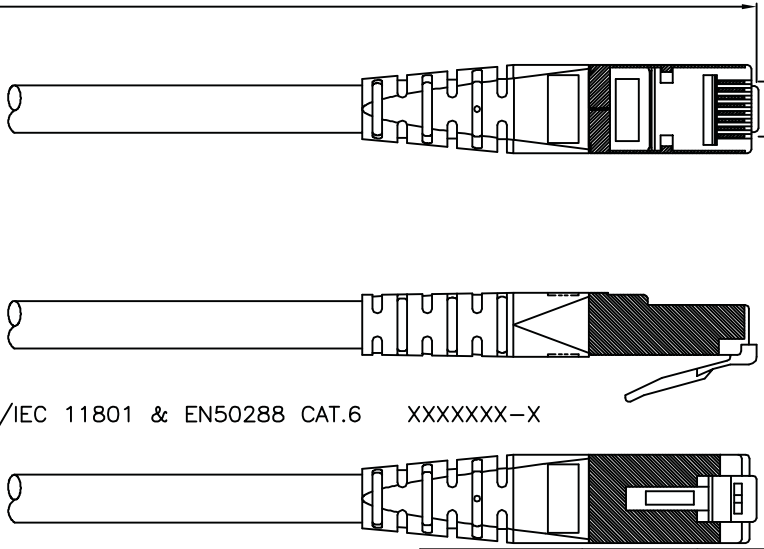
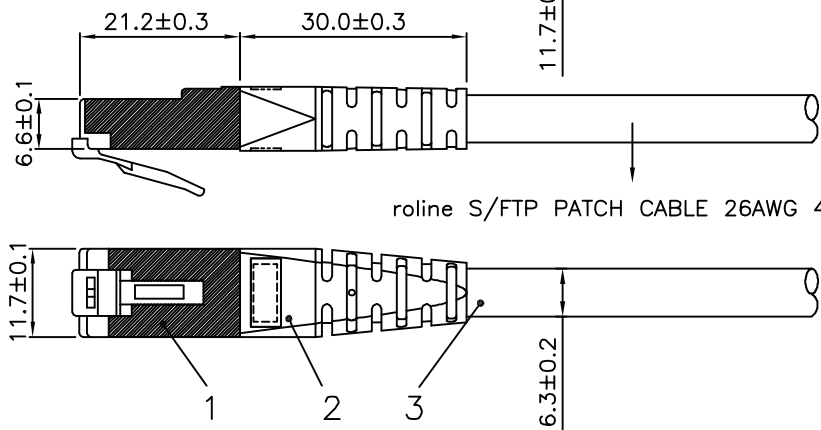
5

6

Total length (optional)

PLUG A
PIN.8
PIN.1

PLUG B
PIN.1
PIN.8



roline S/FTP PATCH CABLE 26AWG 4PR ISO/IEC 11801 & EN50288 CAT.6 XXXXXXXX-X

- (1) Jacket Color : Black(RAL9011)
- (2) Wiring:T568B

item no.	length	tolerance
21.15.1315	0.3M	+20 -0
21.15.1325	0.5M	+20 -0
21.15.1335	1M	+20 -0
21.15.0828	1.5M	+20 -0
21.15.1345	2M	+20 -10
21.15.1355	3M	+20 -10
21.15.1365	5M	+30 -20
21.15.1375	7M	+30 -20
21.15.1385	10M	+30 -20
21.15.1395	15M	+30 -20
21.15.1405	20M	+70 -30

Specification :

Material :

- RJ45 Plug :
 - Housing : Polycarbonate,Transparent color.
 - Contact material : Phosphor Bronze with 50-60 micro-inch Nickel plated.
 - Contact finished : Min. 50 micro-inch Gold plated on surface contact area.
 - Shield : Bronze with Nickel plated.
- Molding : PVC.
- Cable :
 - Jacket : PVC.
 - Conductor : 26 AWG stranded copper.
 - Isolation : PE.
 - Shield : Aluminum Foil Shielded for Each Pair, Tin Copper Braid.
- Cable structure : S/FTP, 4 twisted pair.
- Minimum Bending Radius: 50mm

item no	21.15.1315	21.15.1325	21.15.1335	21.15.0828	21.15.1345
	21.15.1355	21.15.1365	21.15.1375	21.15.1385	21.15.1395

Desc ROLINE Cat 6 S/FTP Patch Cord,Black

"#": Matching DIM.	DRAWING	23.JuL.2016	byz
"*": Important DIM.	CHECK	23.JuL.2016	Jane
Others General DIM.	APPROVAL	23.JuL.2016	Jaimy
GENERAL TOLERANCE OF DIMENSIONS	DATE	NAME	
X.XXX ±0.005 X.XX ±0.05 X.X ±0.1	SCALE 1/1 (A4)	UNIT	mm
DRAWING NO.		DRAWING CLASSIFICATION	

SHEET 1 OF 1



No.	MODIFIED AREA	ORIGINAL	MODIFY	DATE	MODIFIER
-----	---------------	----------	--------	------	----------