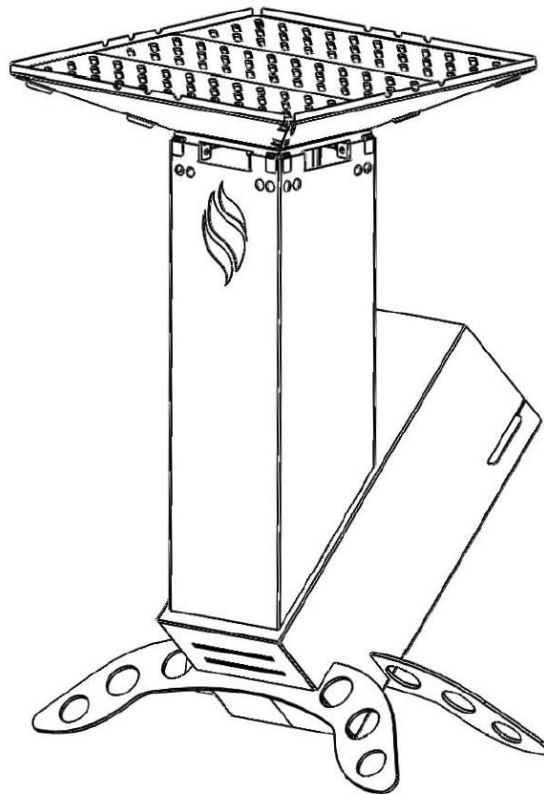




Enjoy Outdoor Enjoy Grilling

RS121

Camping Rocket Stove



IMPORTANT

Please record this information immediately and keep in a safe place for future use.

! WARNING !

- This manual contains important information necessary for the proper assembly and safe use of the appliance.
- Read and follow all warnings and instructions before assembling and using the appliance.
- Keep this manual for future reference.



Failure to follow these instructions could result in fire, explosion or burn hazard which could cause property damage, personal injury, or death.



CARBON MONOXIDE HAZARD

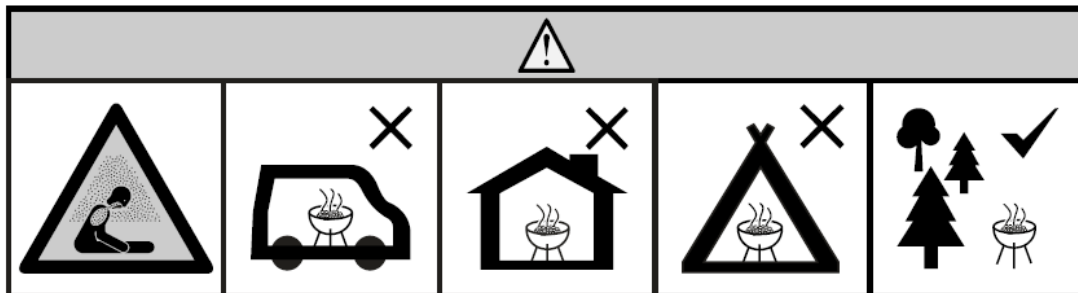


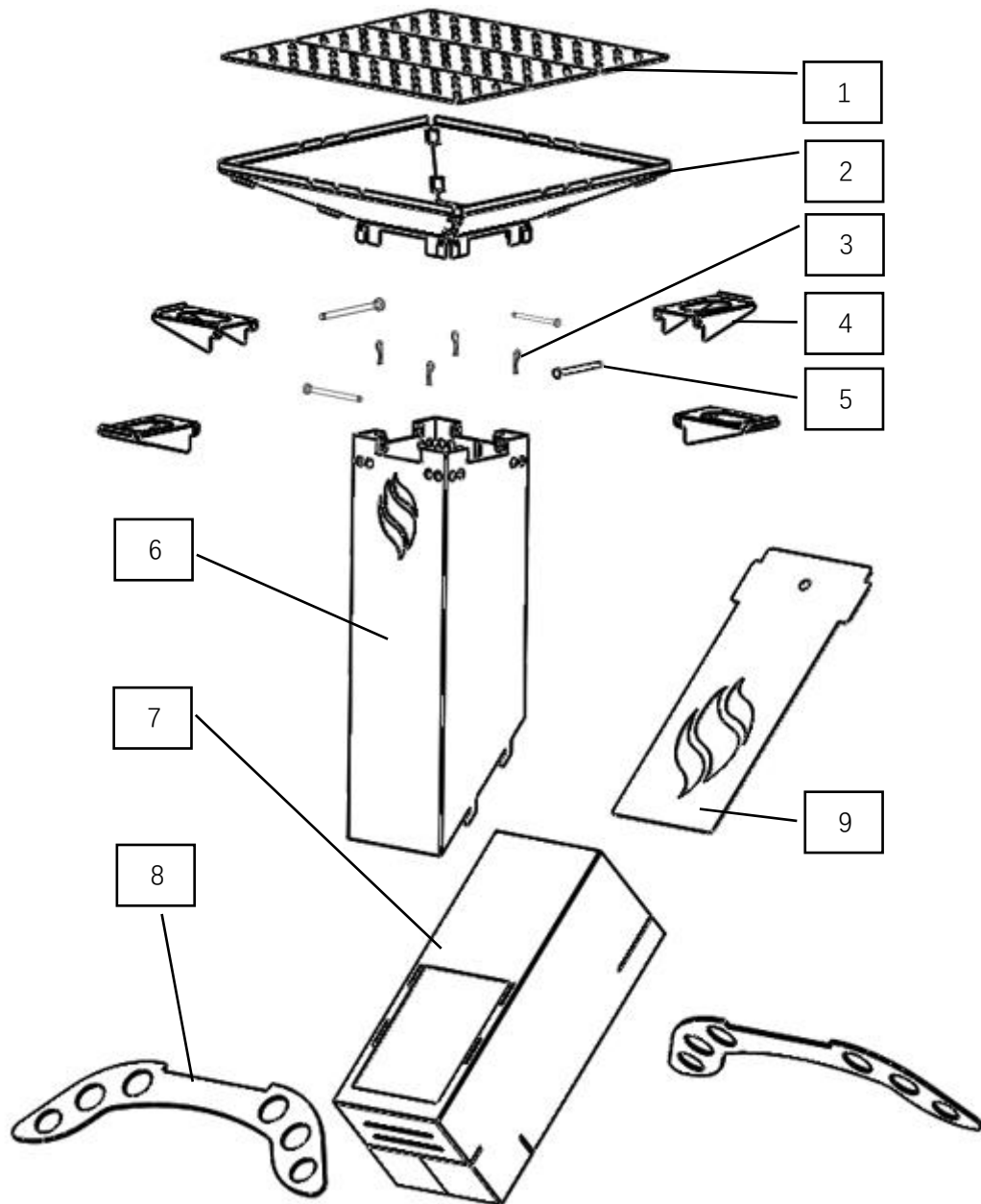
- Burning wood, charcoal or propane gives off carbon monoxide, which has no odor and can cause death.
- DO NOT burn wood, charcoal or propane inside homes, vehicles, tents, garages or any enclosed areas.
- Use only outdoors where it is well ventilated.

Attention! This BBQ will become very hot do not move it during operation. Do NOT use indoors.

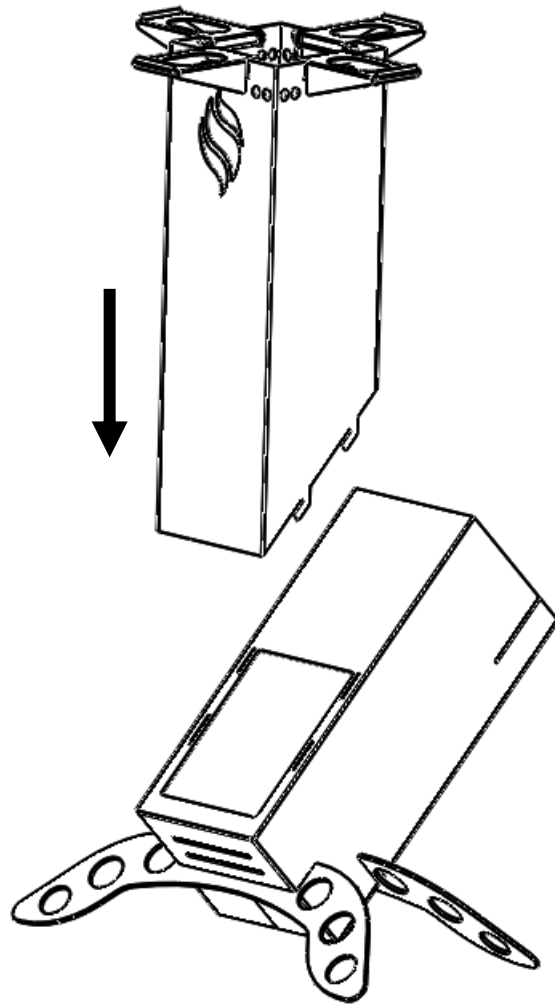
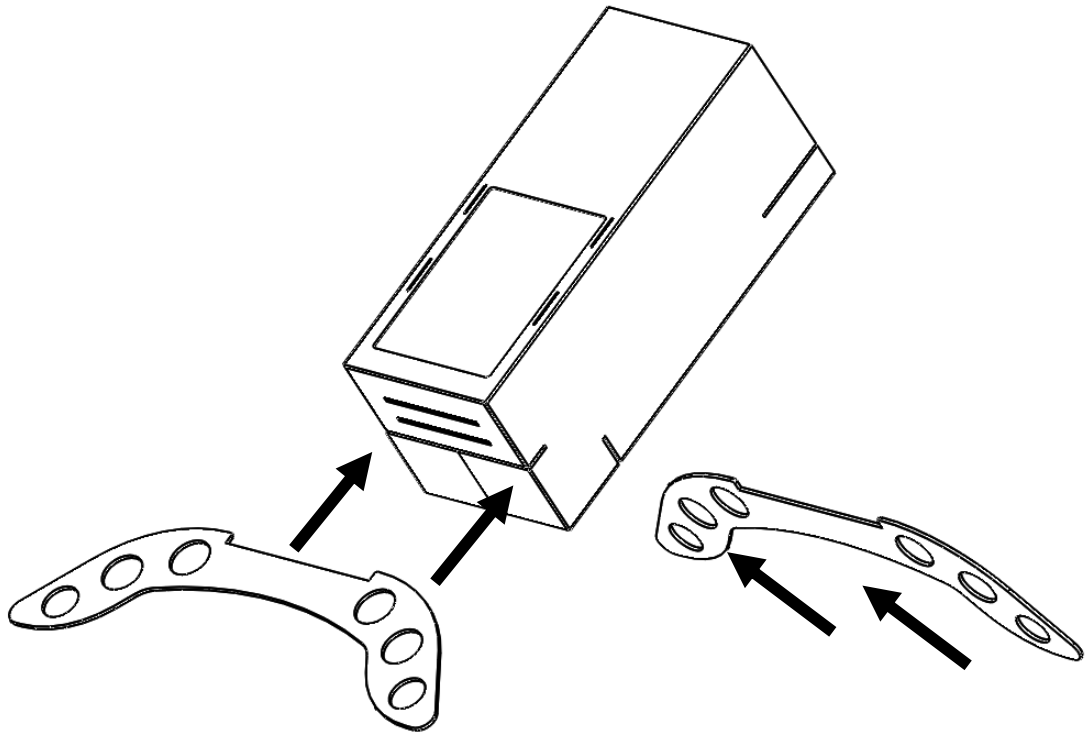
“Warning! Keep children and pets away!”

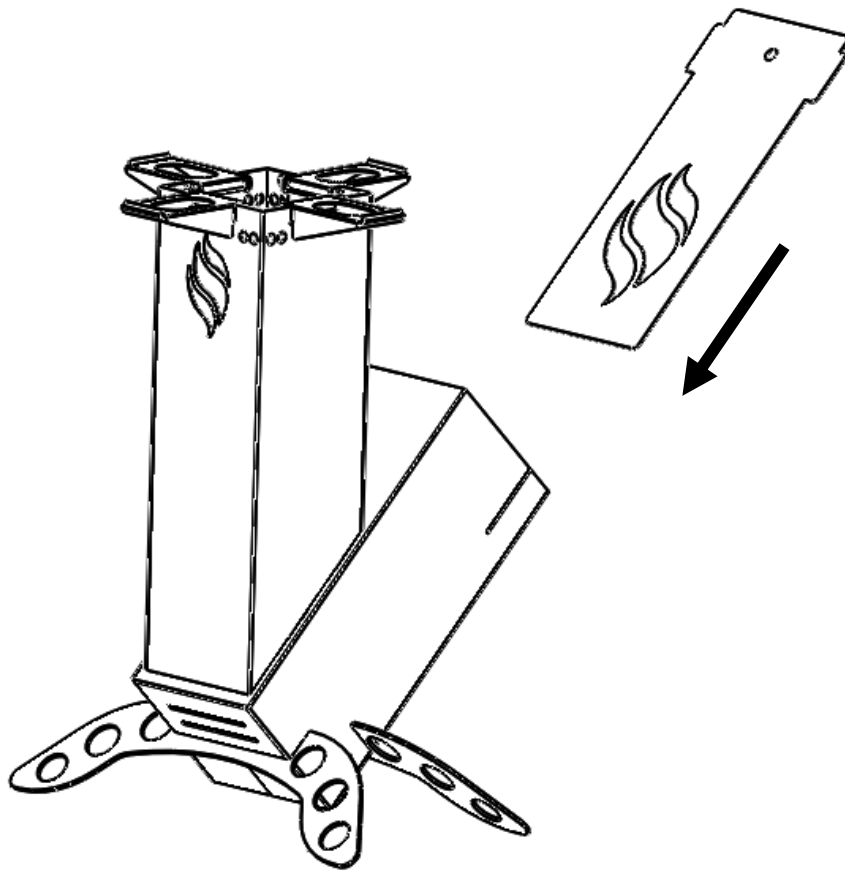
“Caution! Do not use spirit or petrol for lighting or re-lighting! Use only firelighters complying to EN 1860-3”



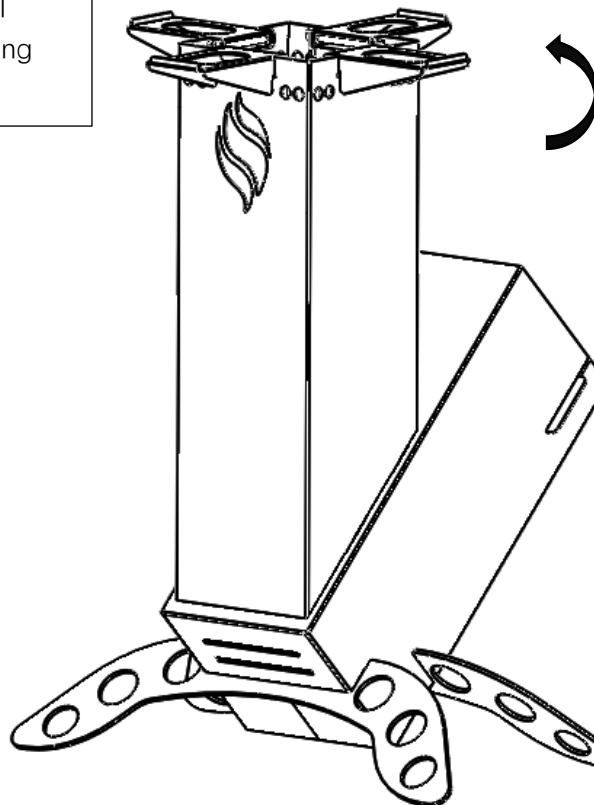


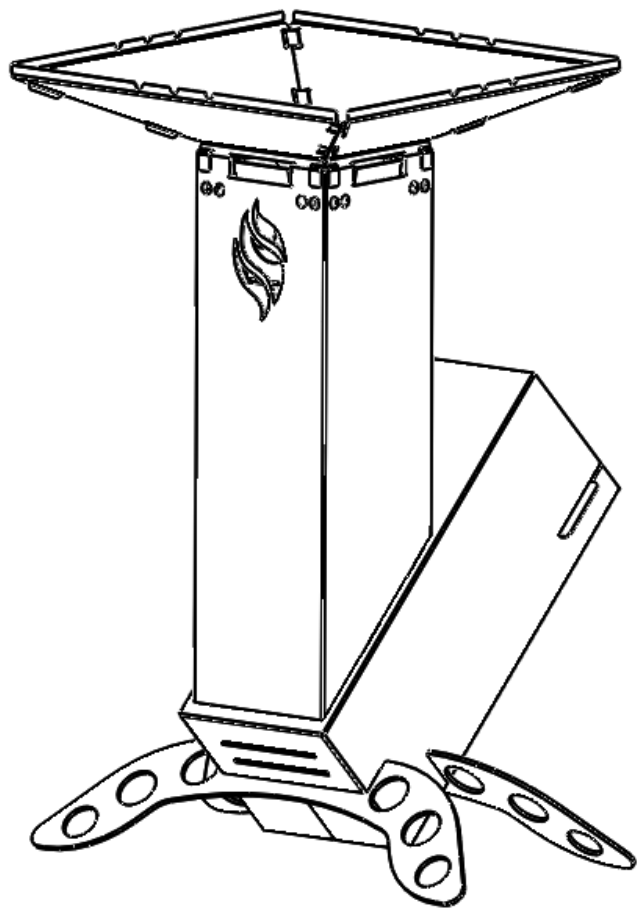
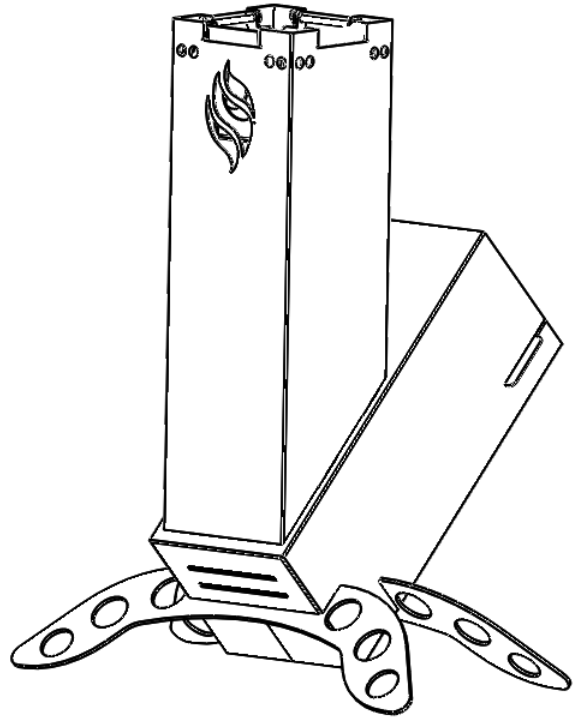
Item #	Qty	Description
1	3	Cooking grate
2	4	Air deflector
3	4	Snap ring
4	4	Pan supporter
5	4	Pin bolt
6	1	Heating manifold
7	1	Fuel box
8	2	Leg
9	1	Partition

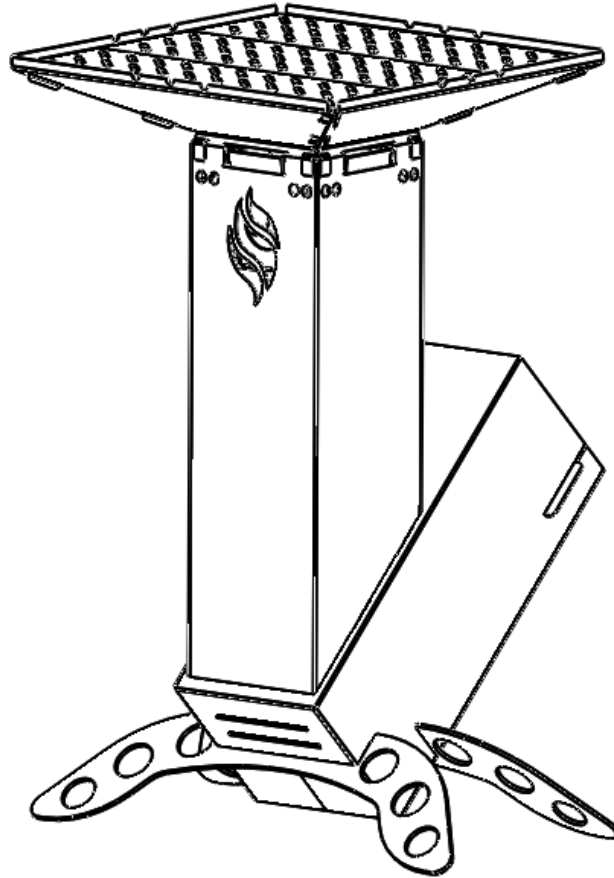




Install
cooking
grate







CLEANING AND STORAGE

- ALWAYS MAKE SURE UNIT IS COOL TO THE TOUCH BEFORE CLEANING AND STORING.
- Inspect hardware and assembled parts on a regular basis to ensure grill is in safe working condition.
- Always empty ash tray after each use once ashes have completely cooled. This will help prolong the life of the ash tray.
- Clean grill and cooking grids with mild cleaning agents. Wipe outside of grill with a damp rag. DO NOT use oven cleaner.
- Always cover and store cold grill in a protected area.
- Indoor storage of grill is permissible only if the charcoal has burned to a complete ash and is cold. Remember to remove cold ashes before storing.
- Your grill is made of steel and some rust may appear over time. If rust occurs on outside surfaces clean the area with fine sandpaper or steel wool, then cover with heat-resistant paint.
- If rusting occurs on the inside surface of the grill clean area with fine sandpaper or steel wool, then coat with cooking oil.
- NEVER USE PAINT ON INSIDE SURFACES OF GRILL.

Enjoy Outdoor Enjoy Grilling

