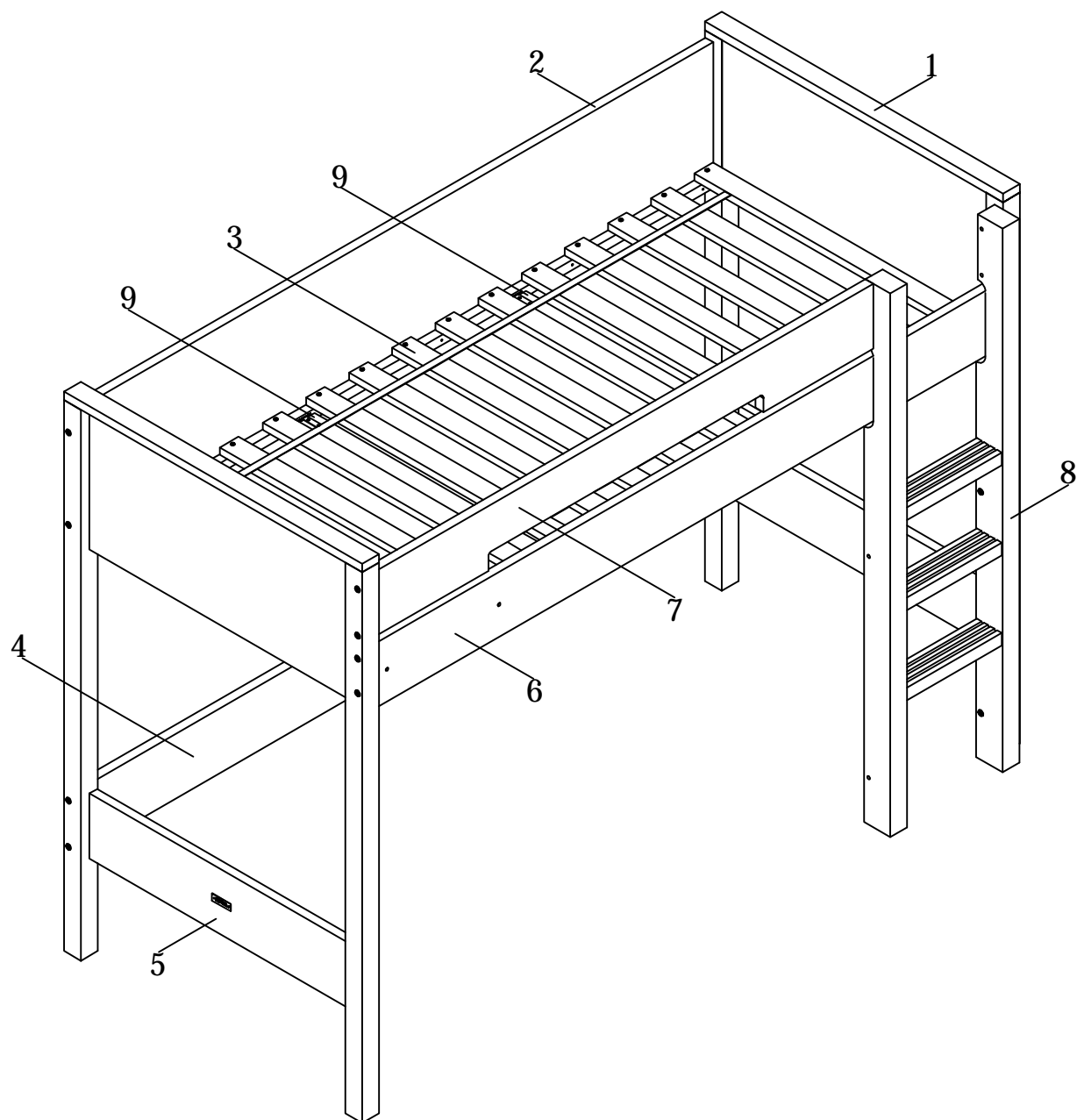


# bopita®

ASSEMBLY INSTRUCTION  
MONTAGE HANDLEIDING  
MONTAGE ANLEITUNG  
NOTICE DE MONTAGE  
MANUAL DE MONTAJE

UK  
NL  
D  
F  
ESP

MODEL : SEPPE  
TYPE : HIGHSLEEPER  
COLOUR : WHITE  
ART.CODE : 2946.11.












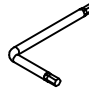


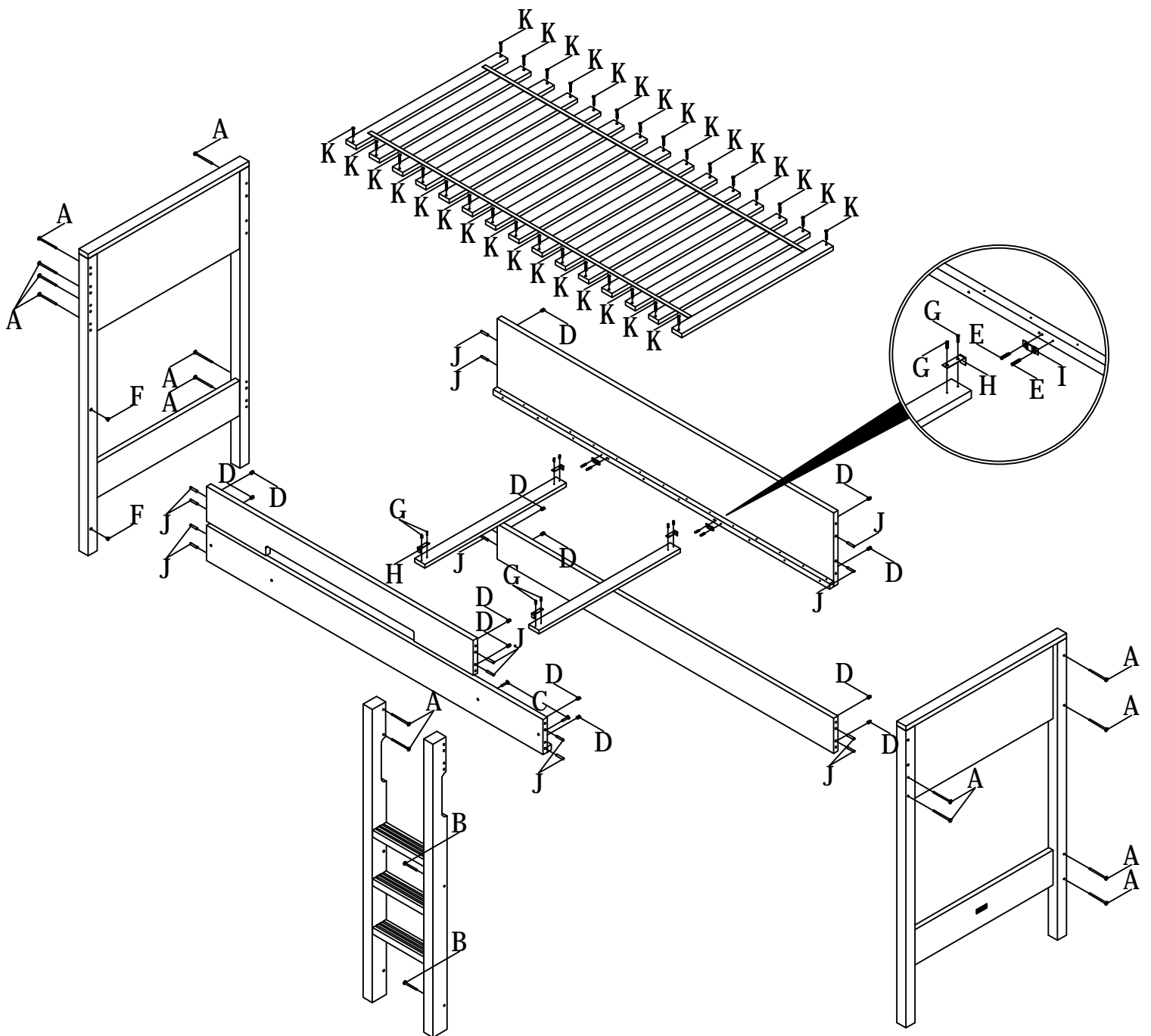
Distributor:

BOPITA  
Energieweg 1  
6662 NS Elst  
The Netherlands

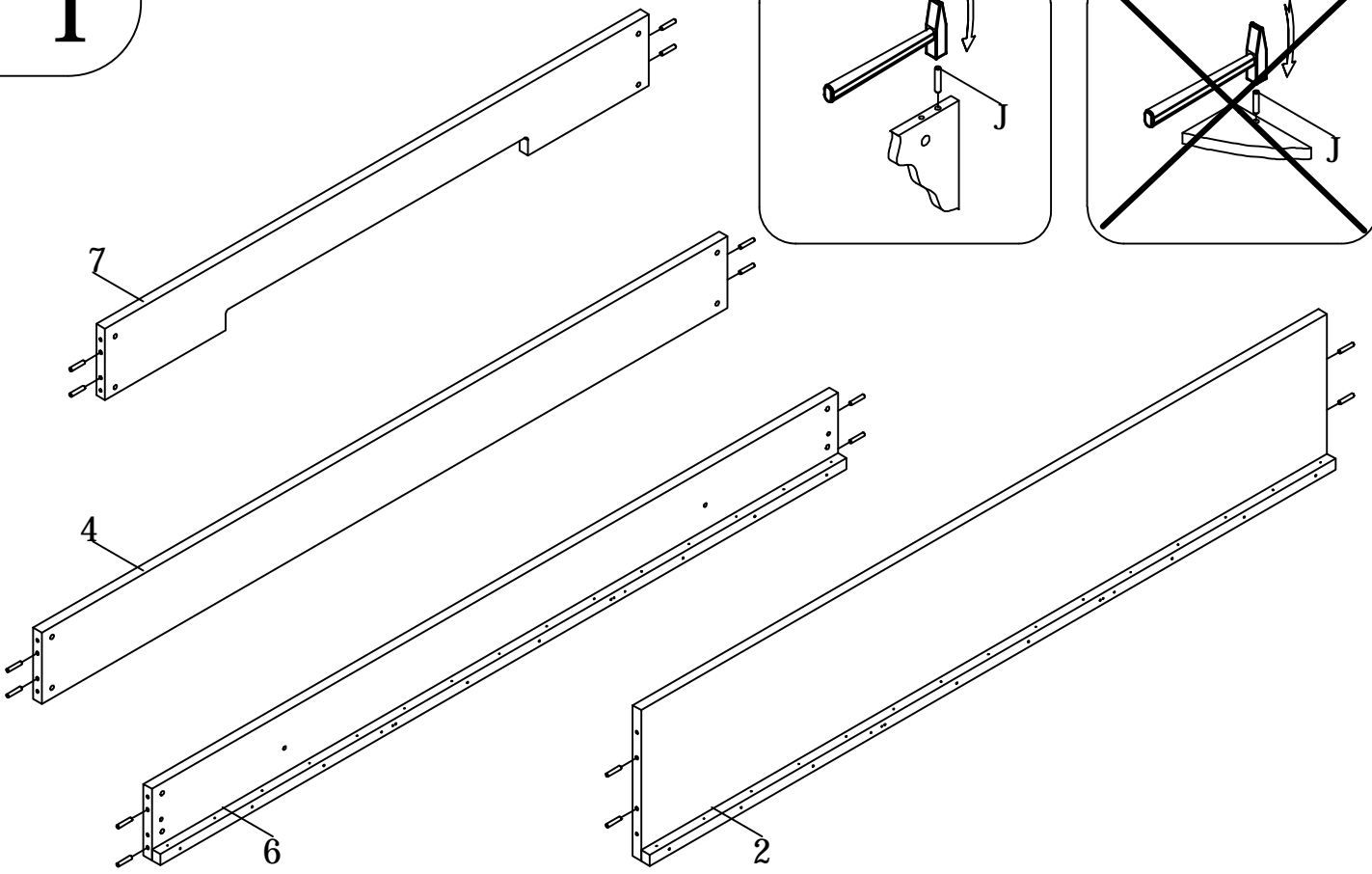
[www.bopita.com](http://www.bopita.com)

10.03.2020.

A  M6X100 16X artcode: 441028	B  M6X70 2X artcode: 441019	C  M6X35 2X artcode: 441013	D  M6 16X artcode: 442004	E  3,5X25 8X artcode: 431008	F  M6X10 2X artcode: 441001
G  3,5X16 8X artcode: 431006	H  4X artcode: 446108	I  4X artcode: 446107	J  « 8x40 16X artcode:	K  5X40 30X artcode: 431034	L  1X artcode: 445001



1



2

