
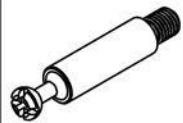



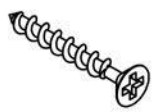



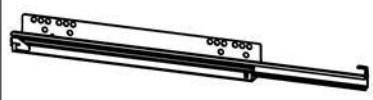
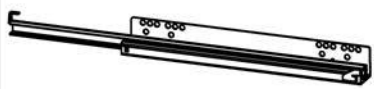


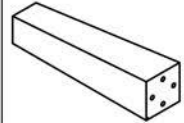




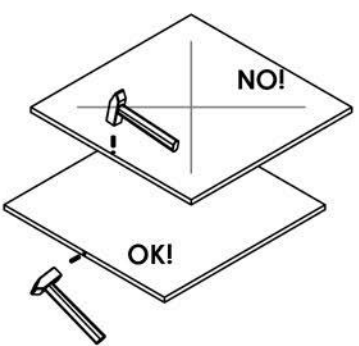
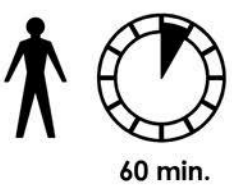
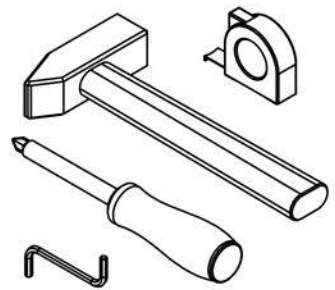


DRESSER INDY

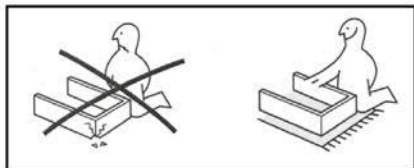
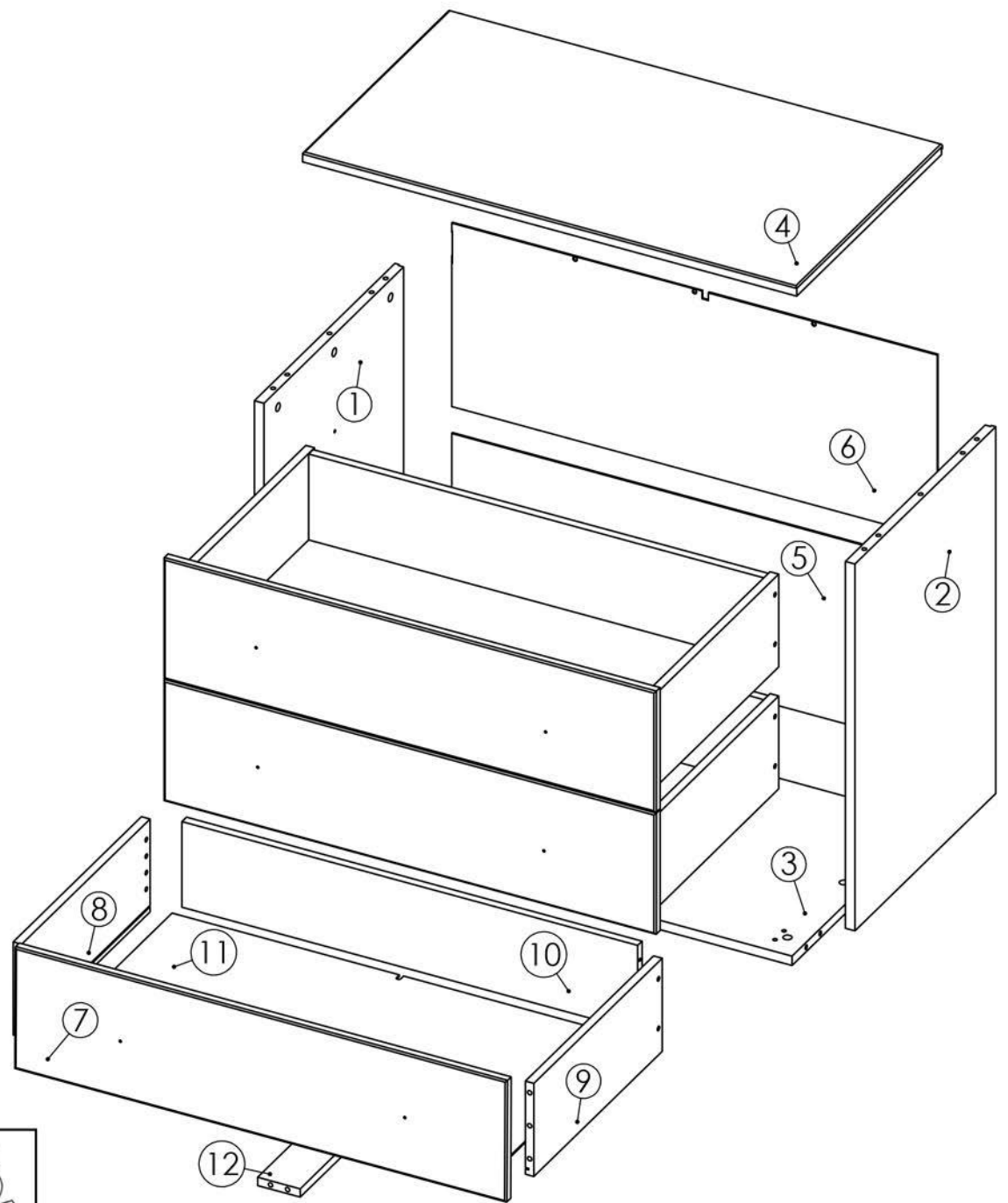
Art. code : 11719503

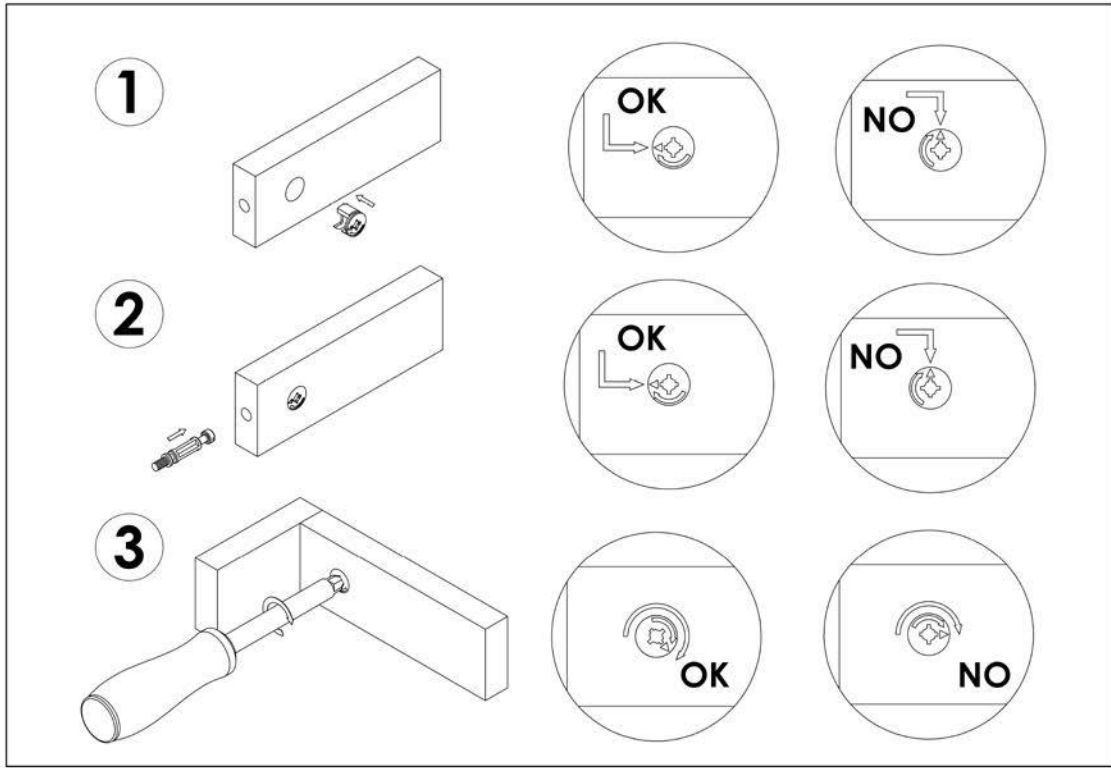
04.03.2021

							
A x 15	B x 15	C x 35	D x 23	E x 2	F x 1	G x 32	H x 6
							
I x 6	JL x 3		JP x 3		K x 1	L x 1	M x 4
							
N x 6	O x 12	P x 6	Q x 1				



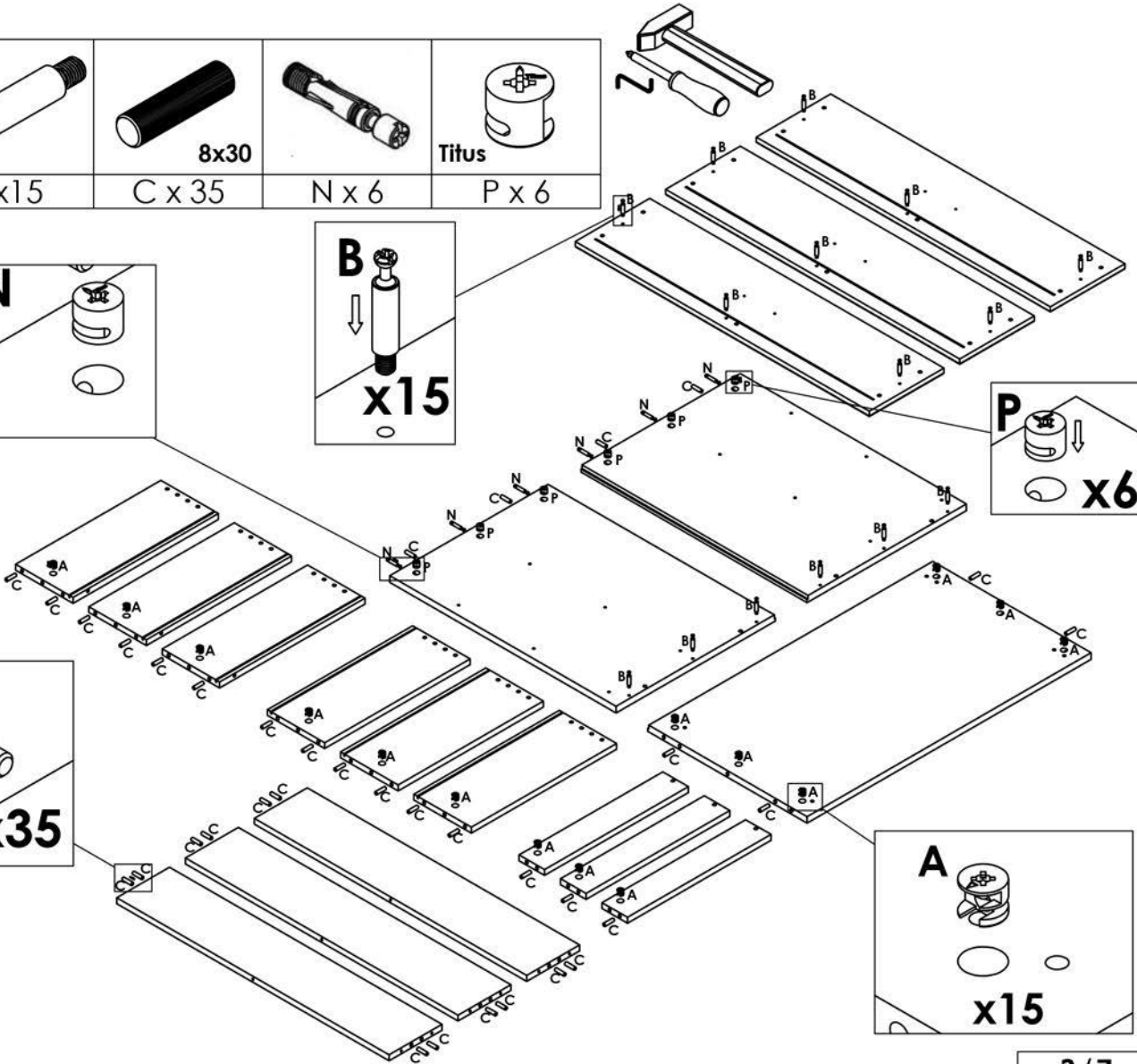
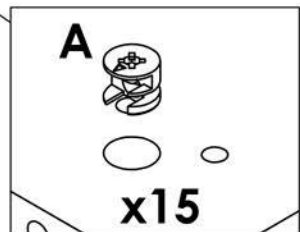
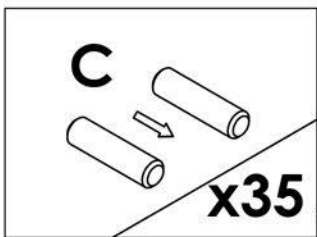
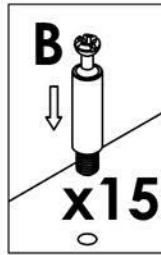
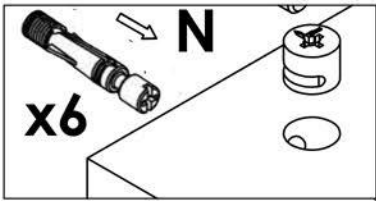
"BOPITA"
LION INTERNATIONAL B.V.
ENERGIEWEG 1
6662 NS ELST GLD
NEDERLAND
www.bopita.com



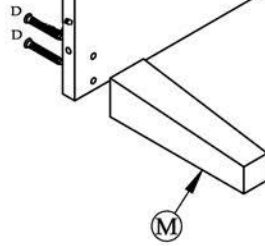
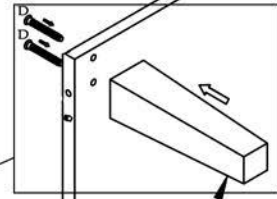
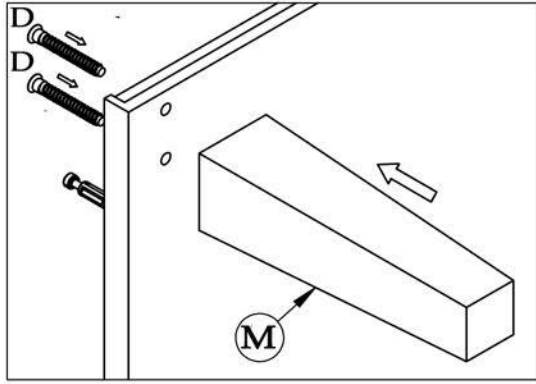
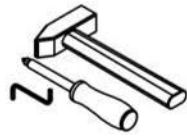
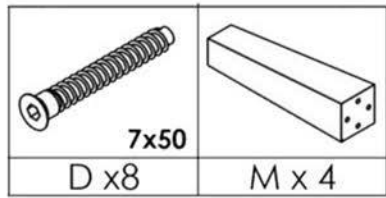


STEP-1

A x 15	B x 15	8x30 C x 35	N x 6	Titus P x 6



STEP - 2



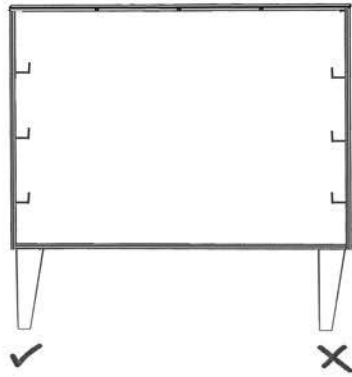
3

M

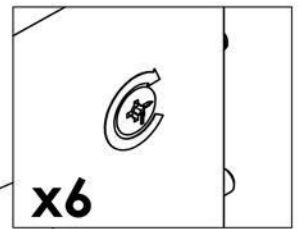
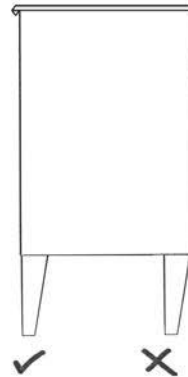
M

M

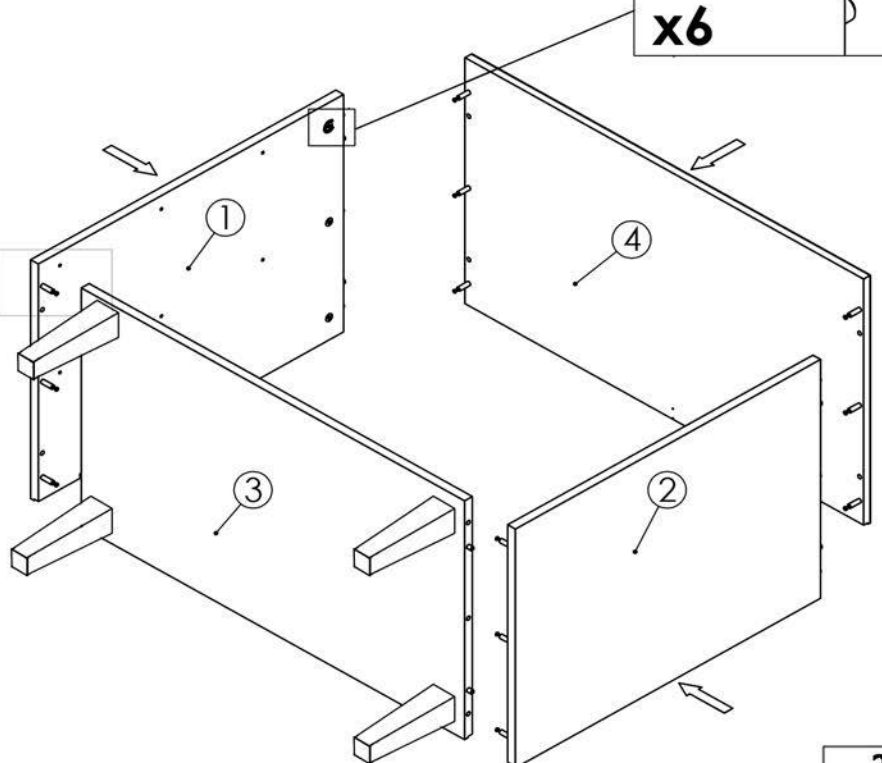
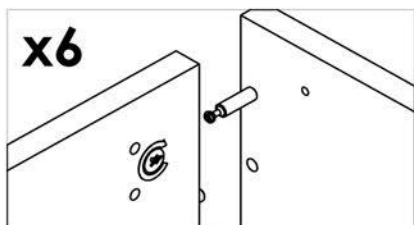
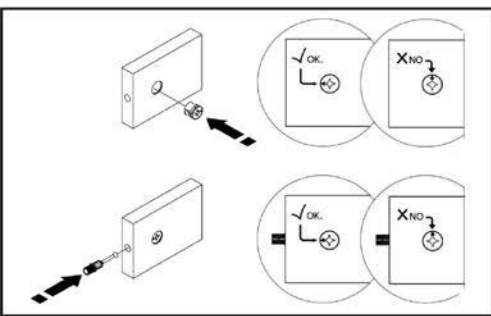
FRONT VIEW



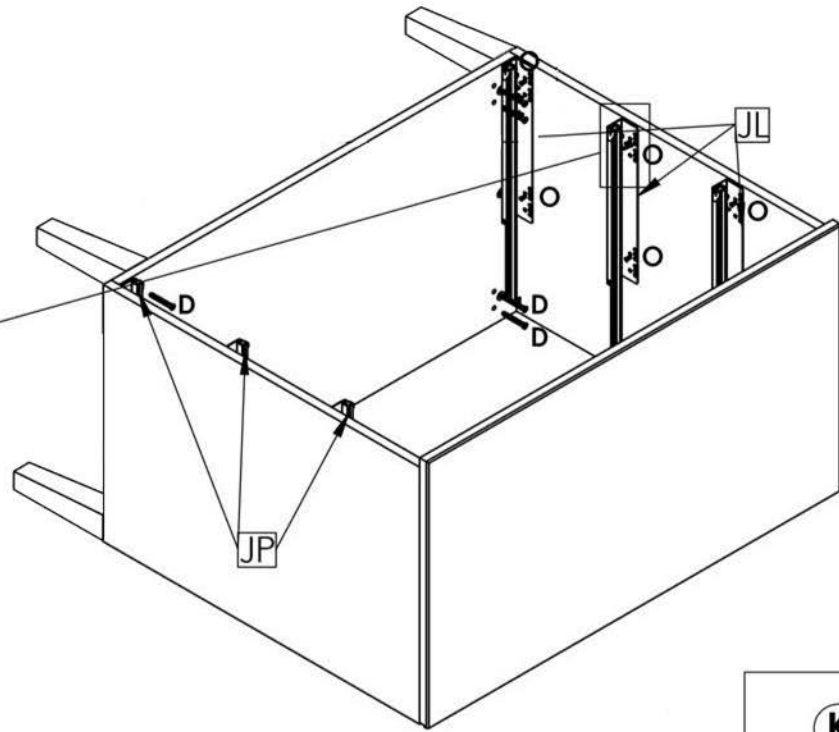
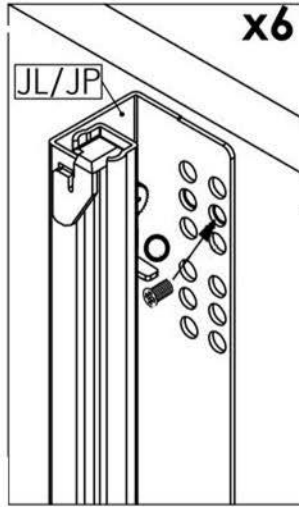
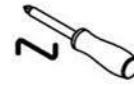
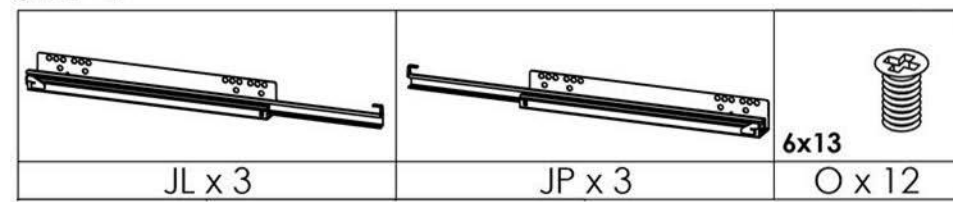
SIDE VIEW



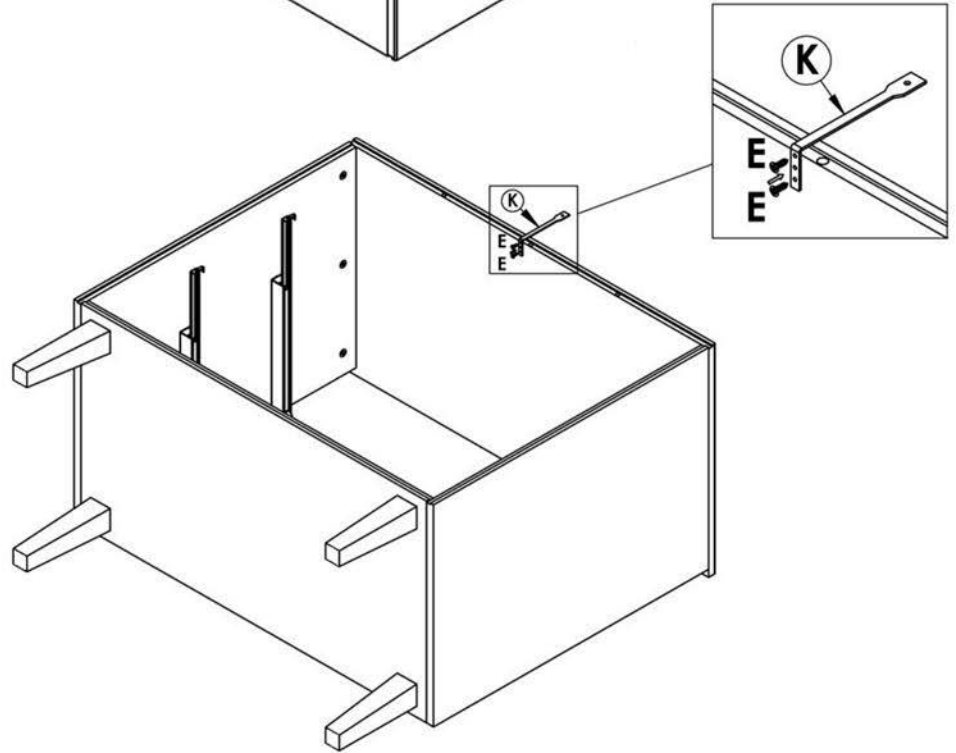
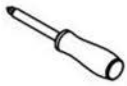
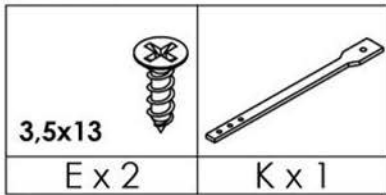
STEP-3



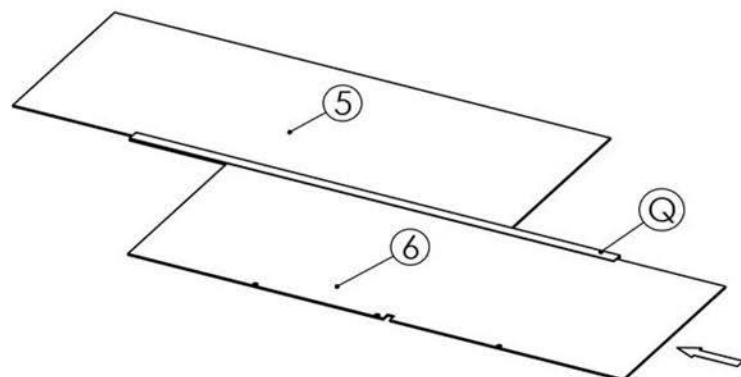
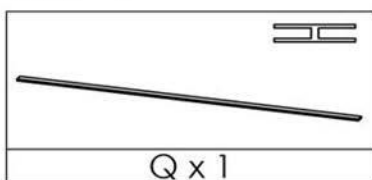
STEP-4



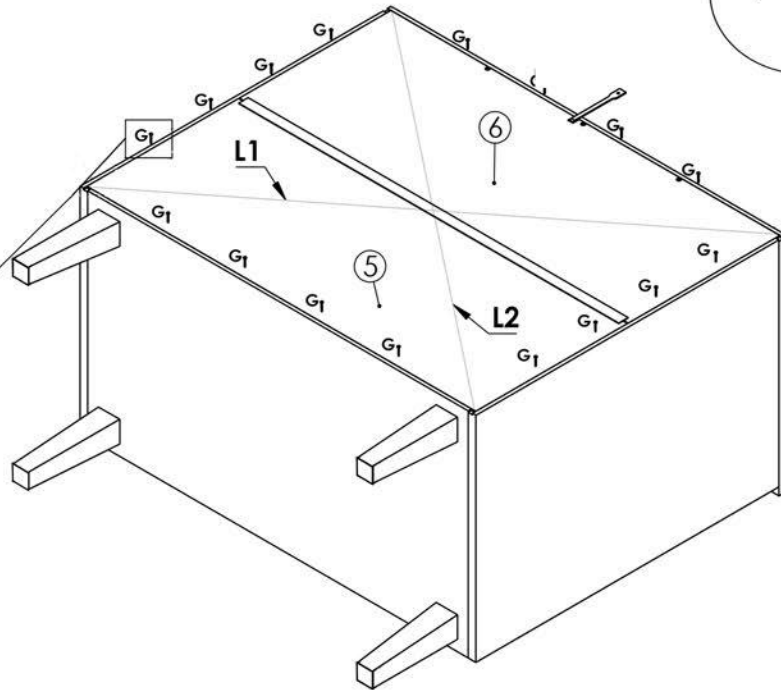
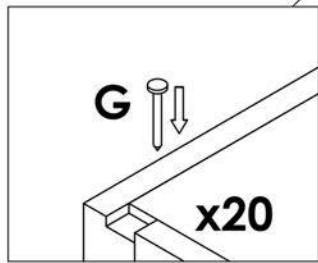
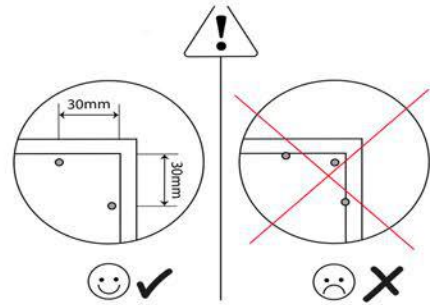
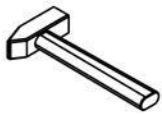
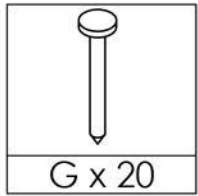
STEP-5



STEP-6

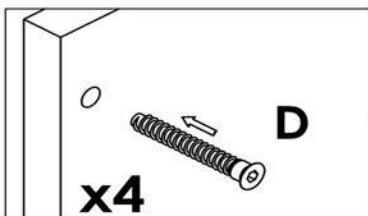
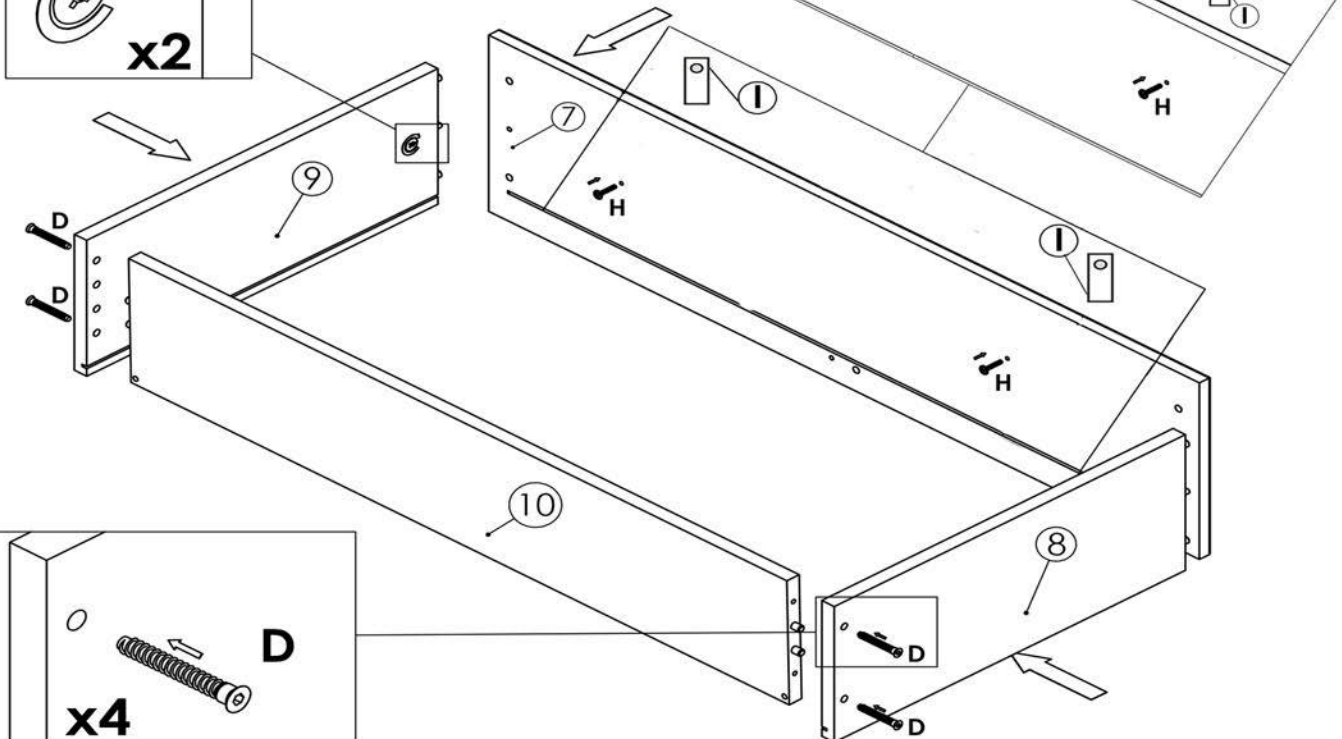
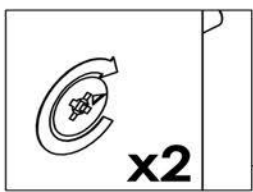
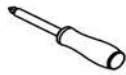
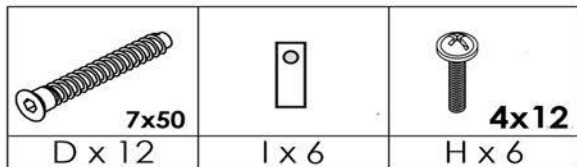


STEP-7

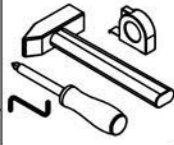
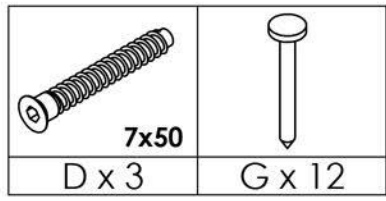


L1=L2

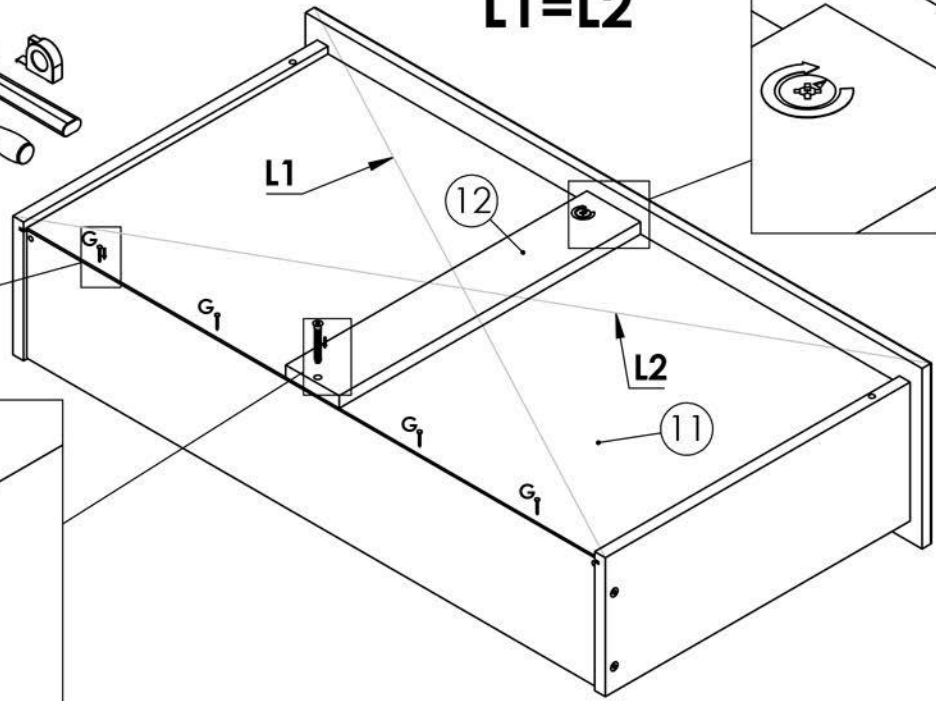
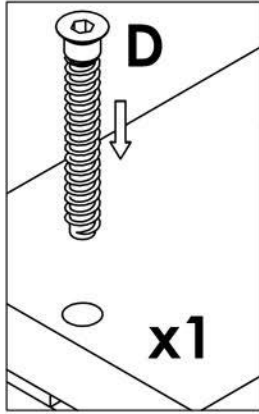
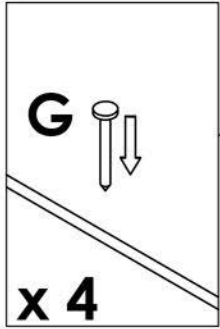
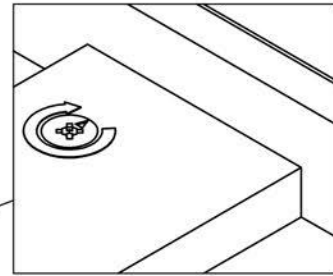
STEP-8



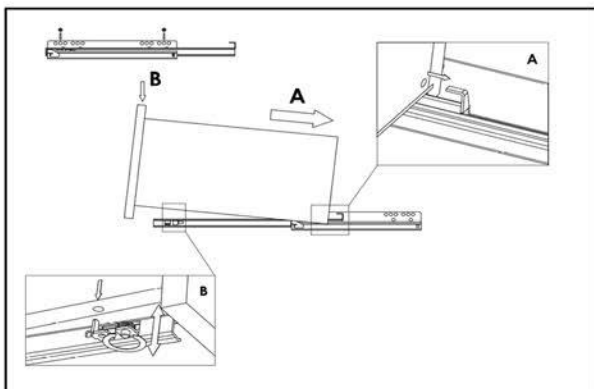
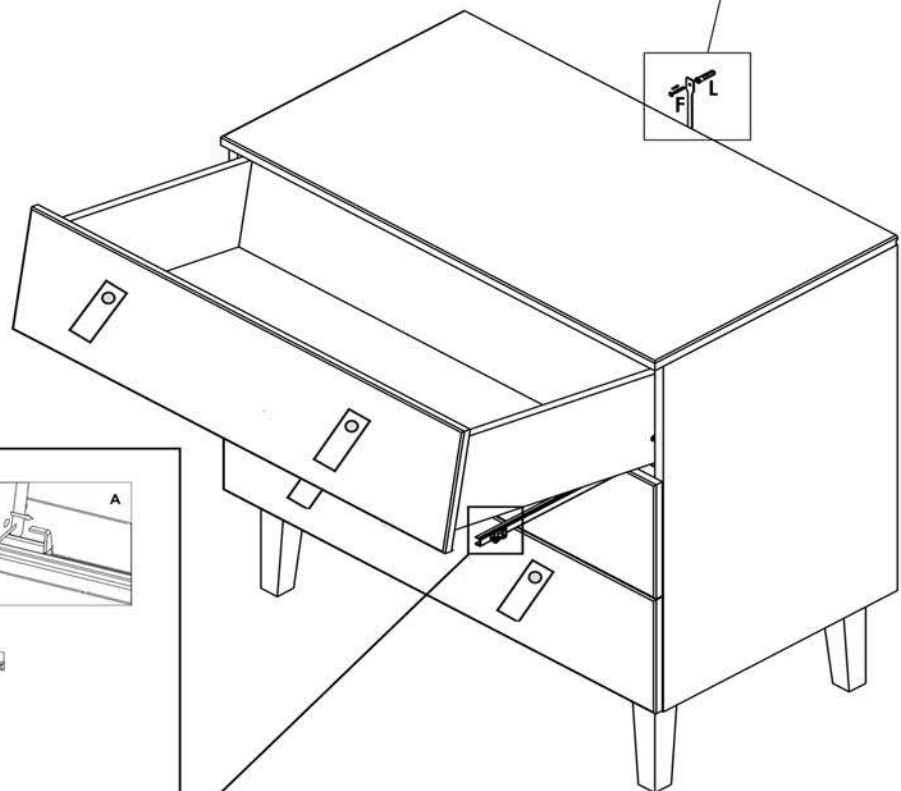
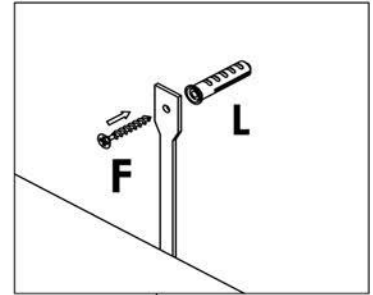
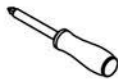
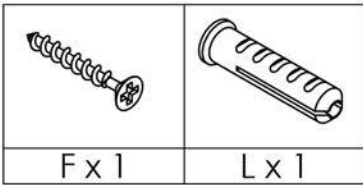
STEP-9



L1=L2



STEP-10



QC-CODE

(UK) for service requests

(NL) voor service vragen

(FR) pour les demandes de service

(DE) für Service Anfragen

(ES) para consultas de servicio

(IT) per richieste di assistenza

