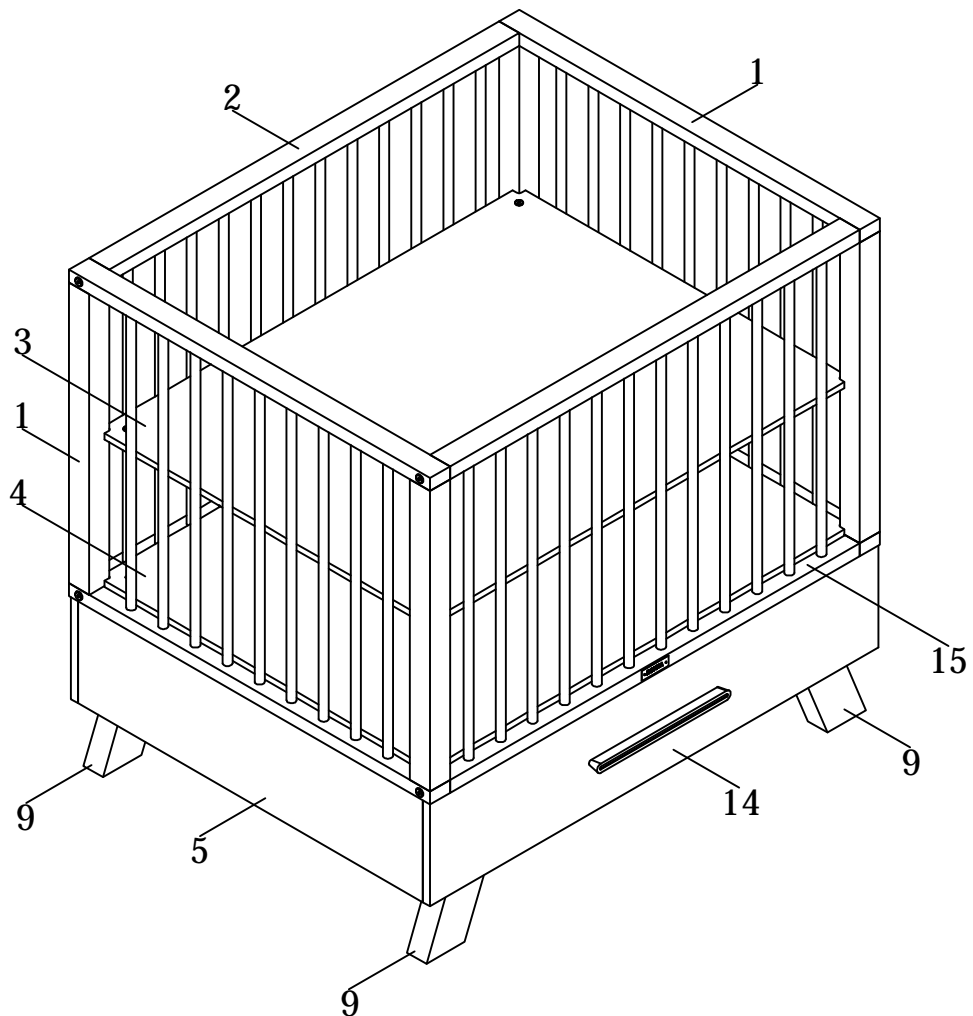


ASSEMBLY INSTRUCTION
MONTAGE HANDLEIDING
MONTAGE ANLEITUNG
NOTICE DE MONTAGE
MANUAL DE MONTAJE

UK
NL
D
F
ESP

MODEL : PLAYPEN
TYPE : LISA WITH DRAWER
COLOUR : MATT BLACK/NATURAL
ART.CODE : 111179.19



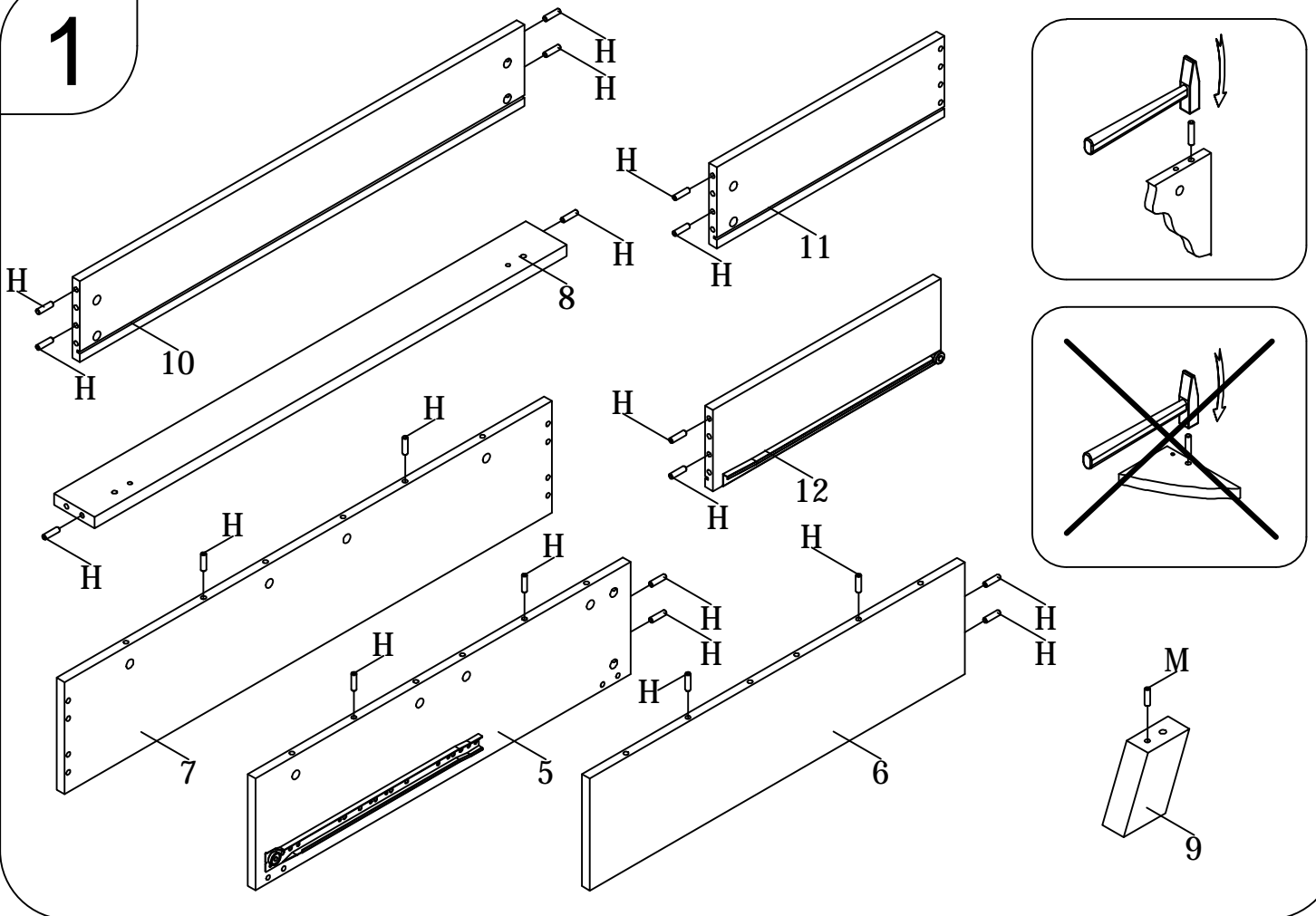
Distributor:

BOPITA
Energieweg 1
6662 NS Elst
The Netherlands

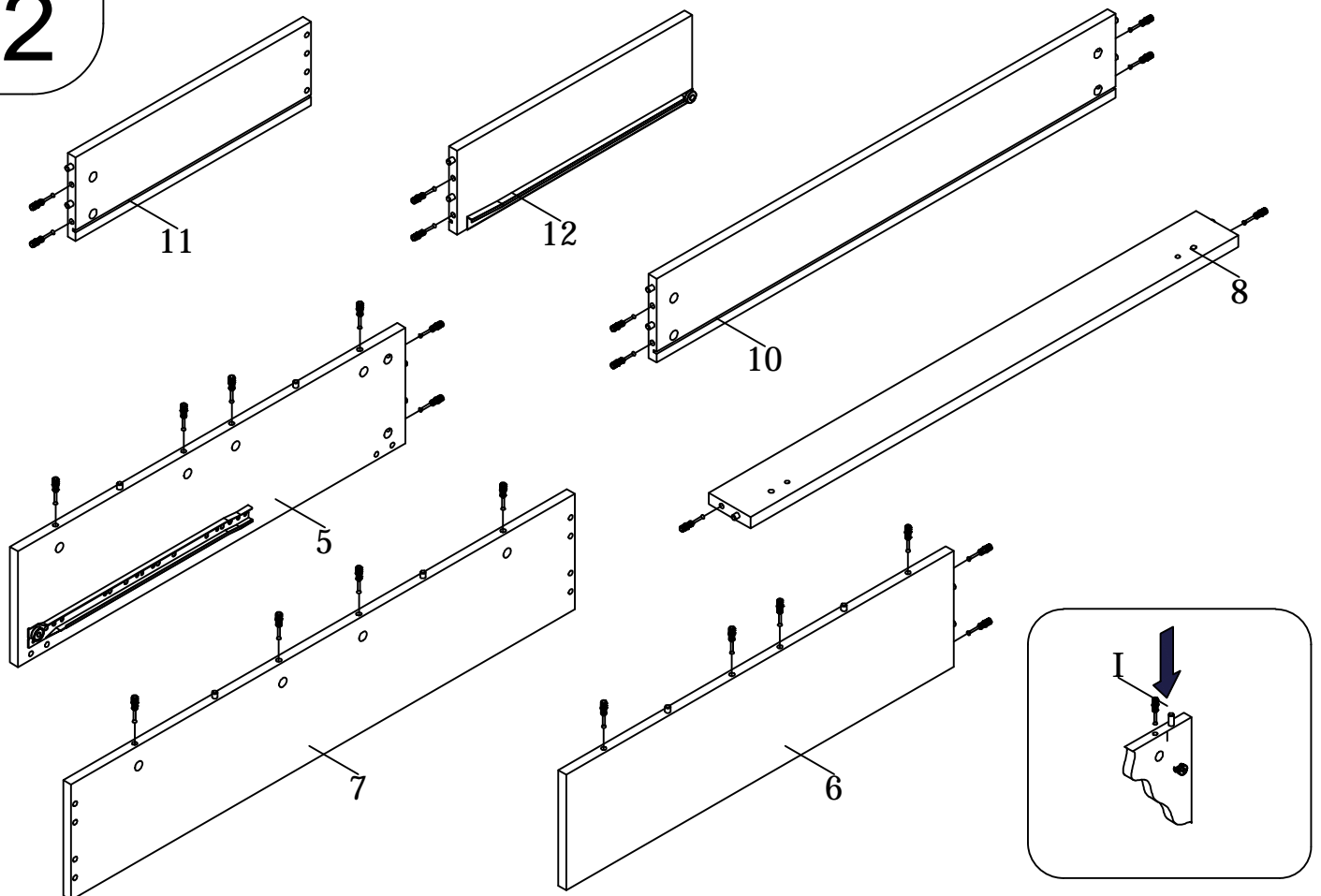
www.bopita.com

02.06.2020.

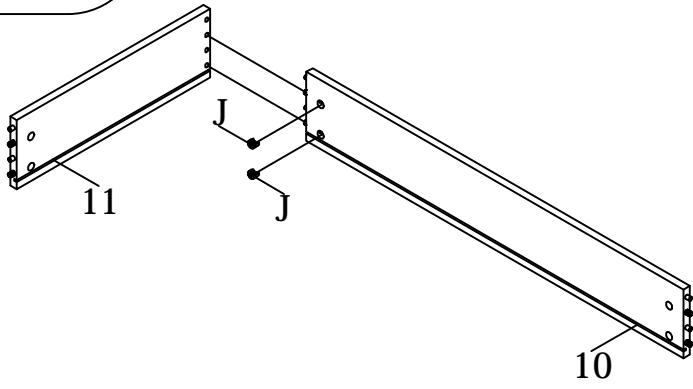
1



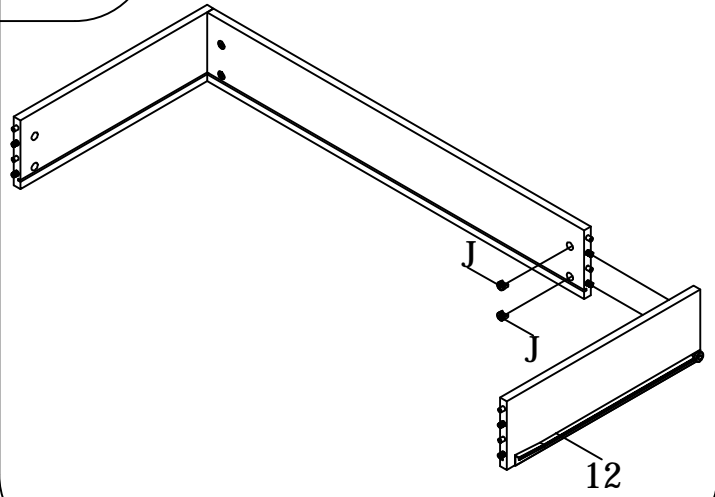
2



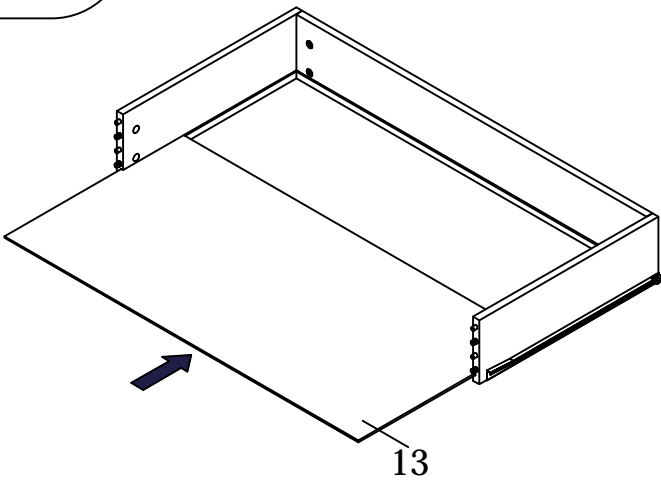
3



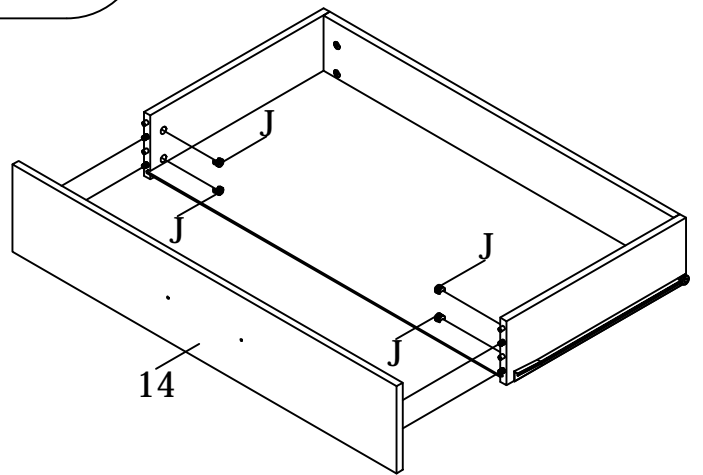
4



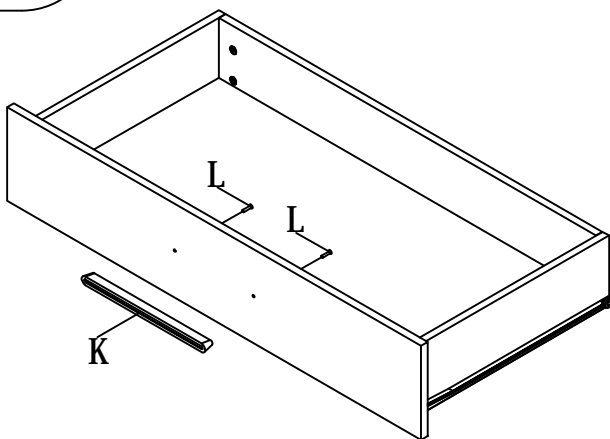
5



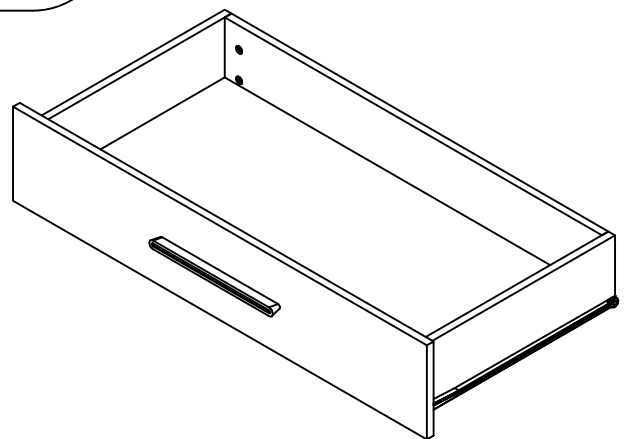
6



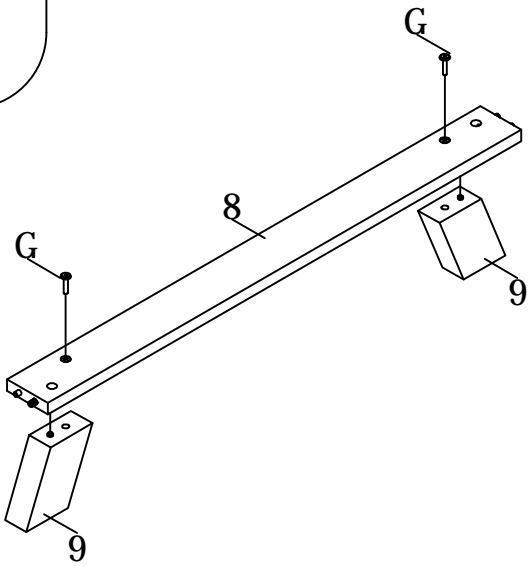
7



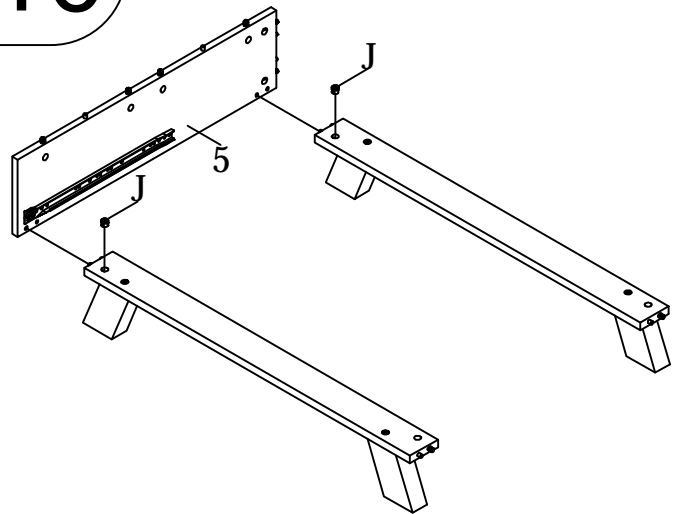
8



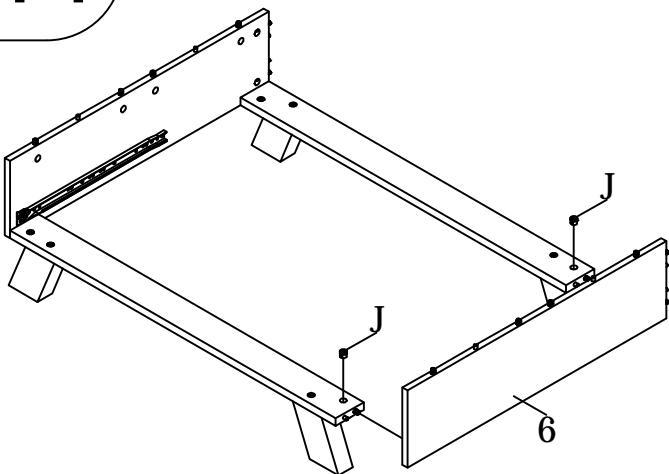
9



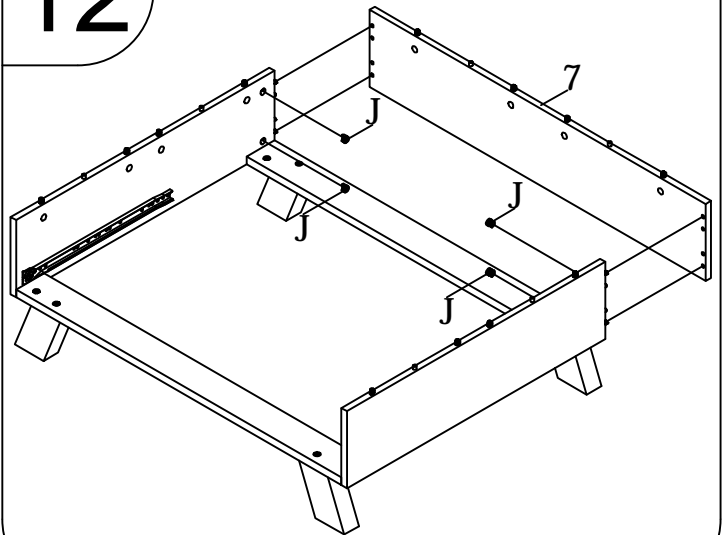
10



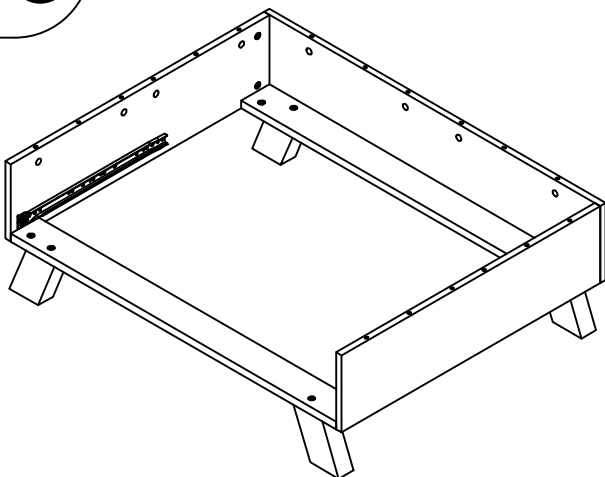
11



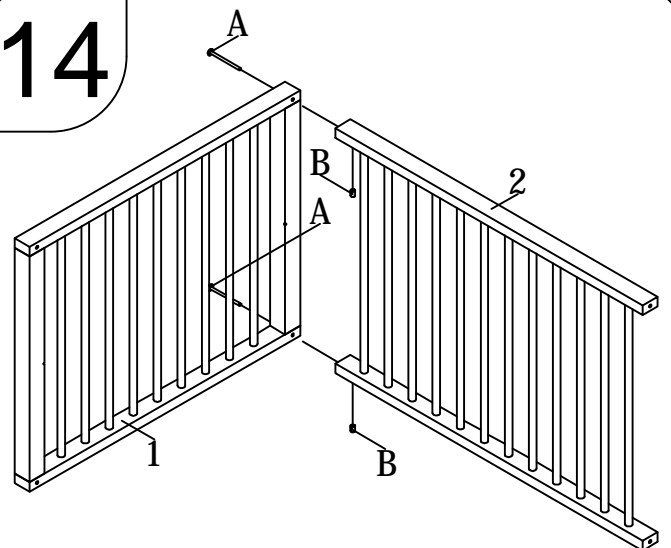
12



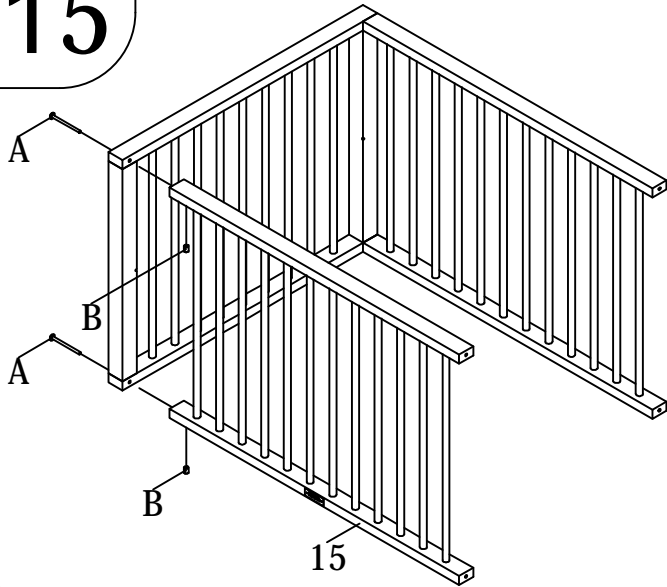
13



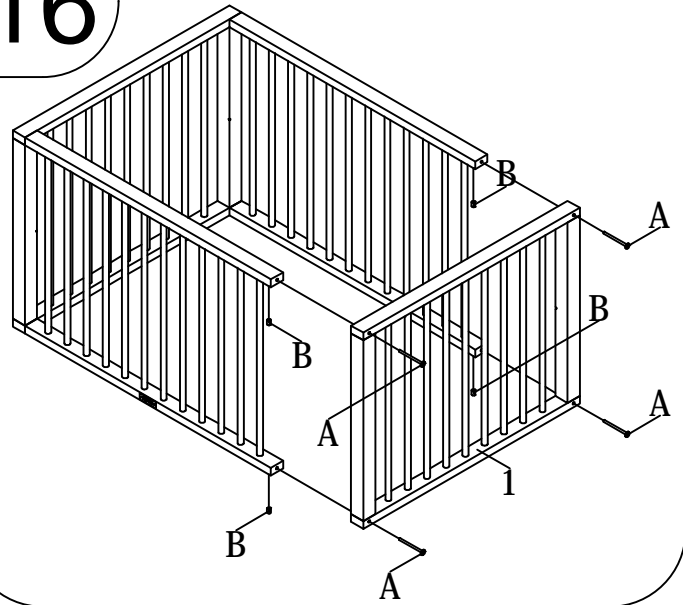
14



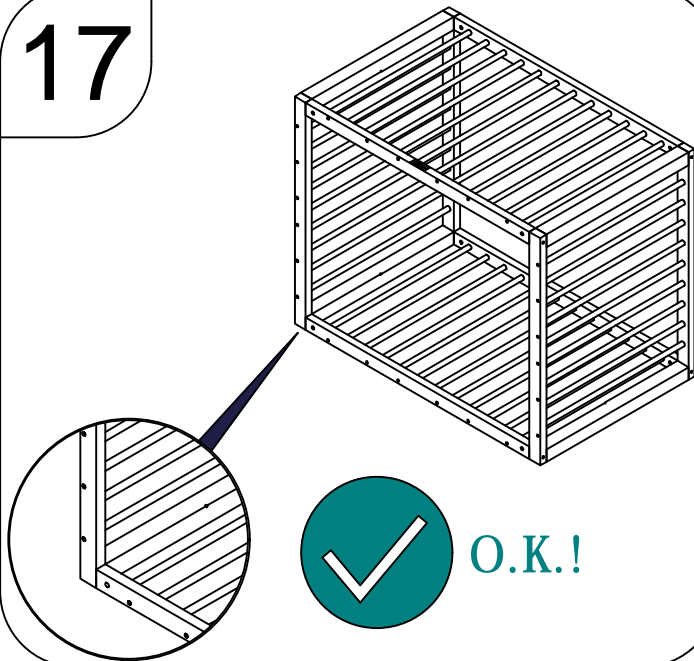
15



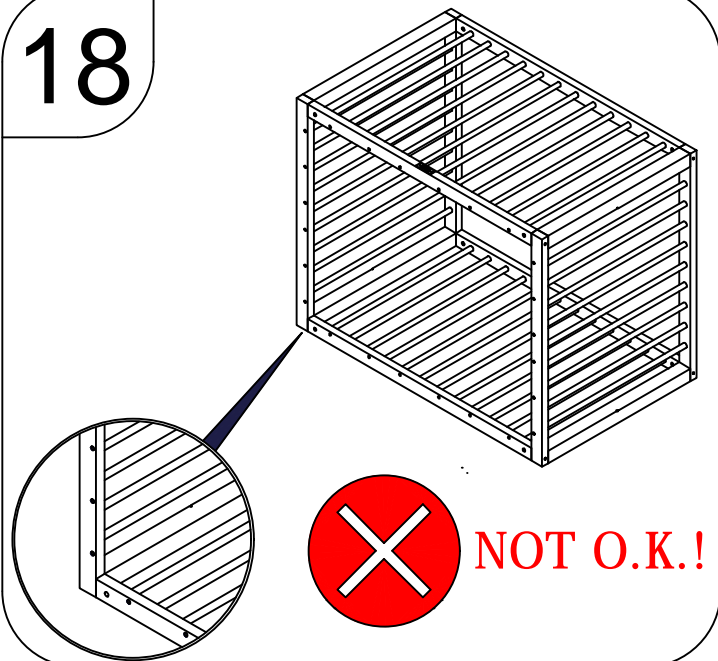
16



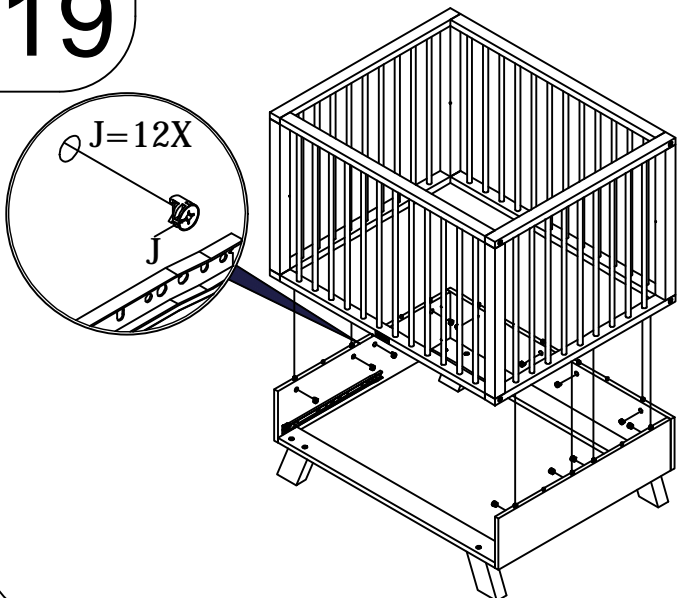
17



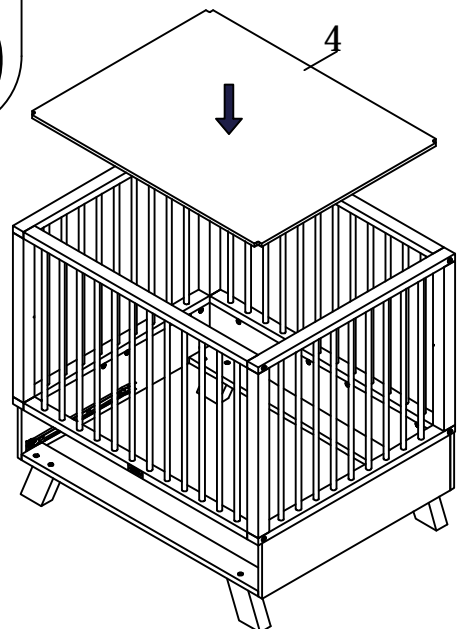
18



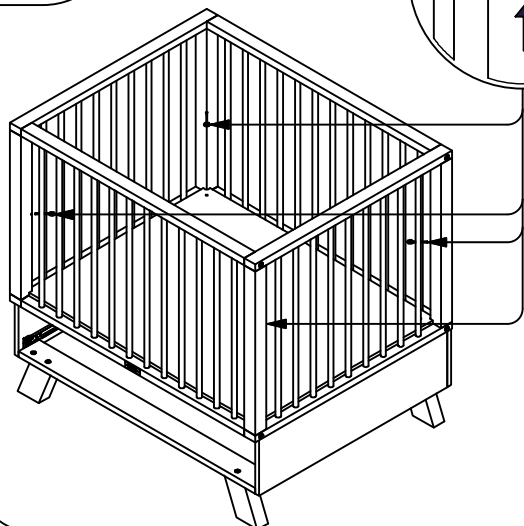
19



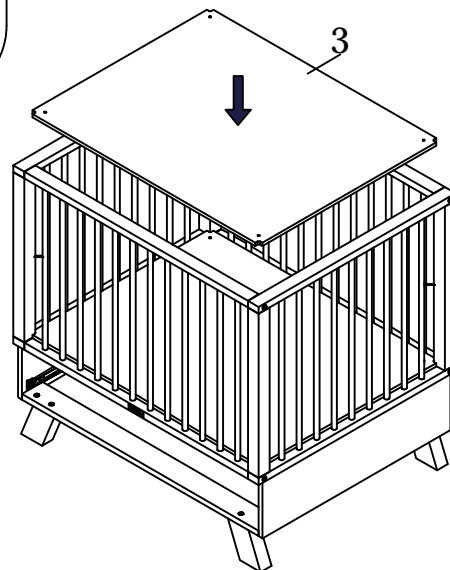
20



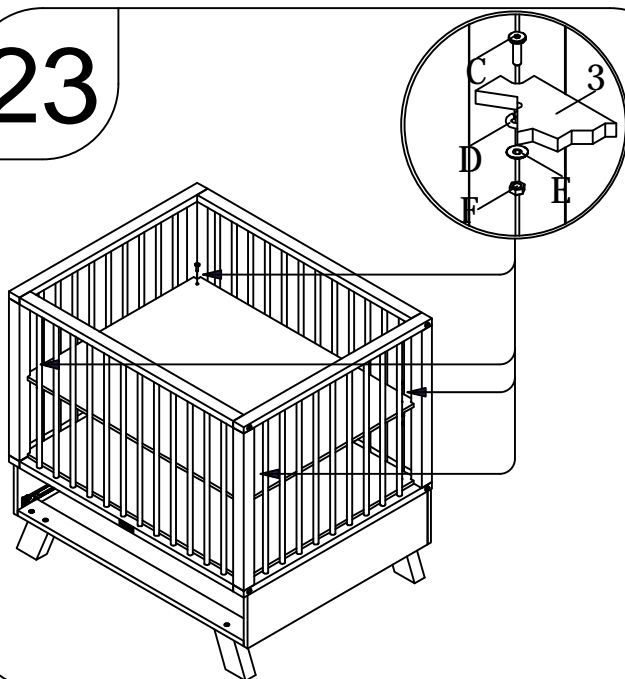
21



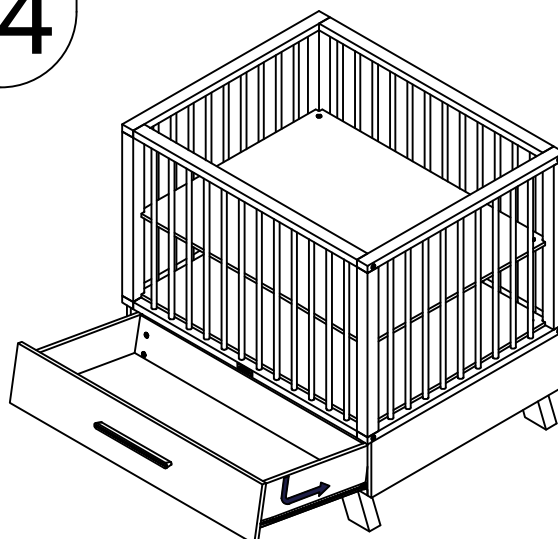
22



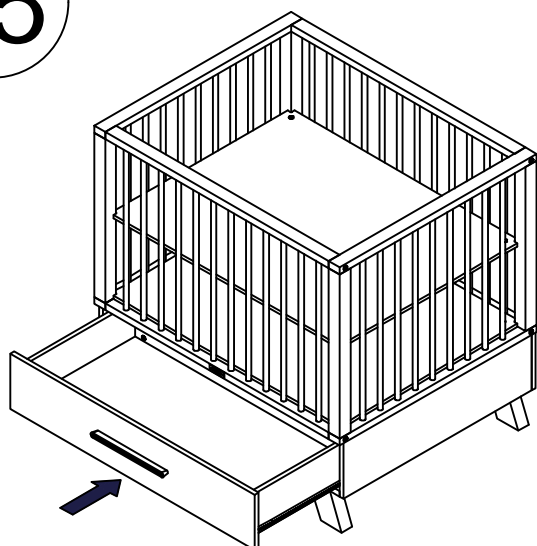
23



24



25



26

