

SAFETY REGULATIONS



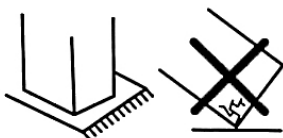
Goggles are recommended to protect your eyes.



We recommend that two persons are present at the installation.



Use safety shoes during installation.

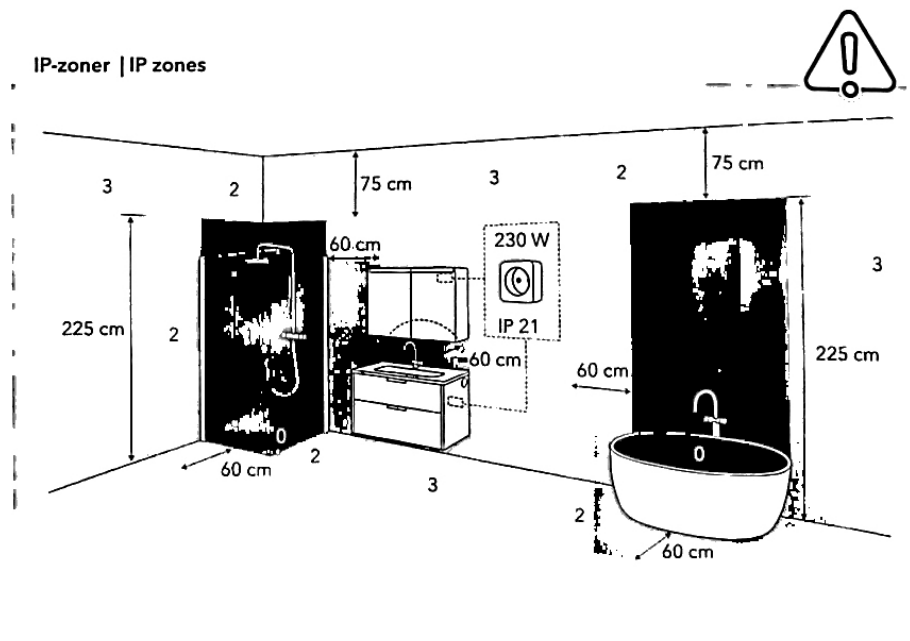


Note! Always set the mirror down on a soft foundation, since edges and corners are very delicate.



May only be installed by certified electrician. Always shut off power to the circuit before starting installation work.

IP-zoner | IP zones



INSTALLATION

