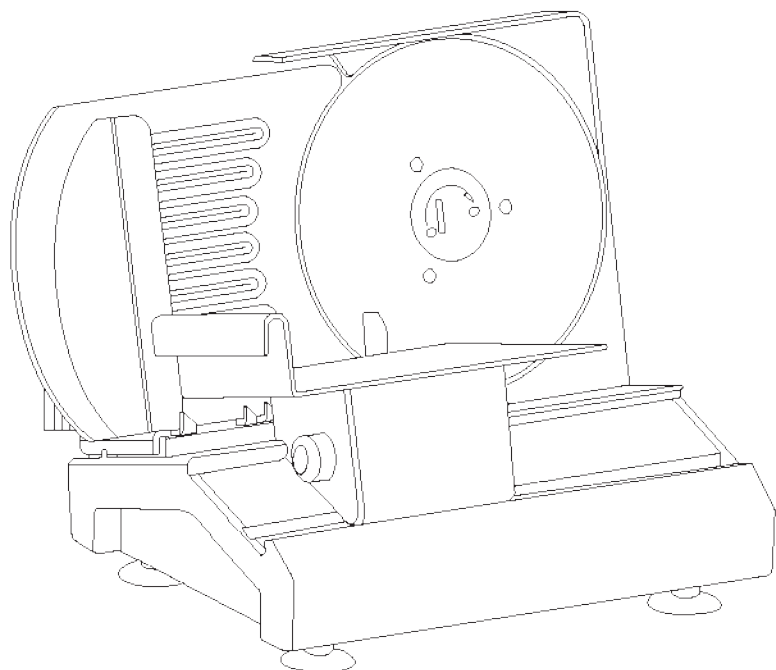


IKOHS

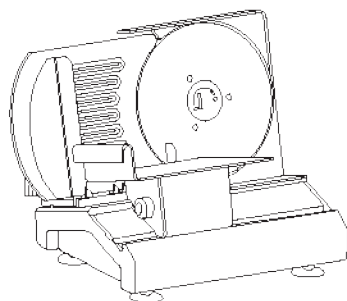


SLY-ZR 200W

SLICER - CORTAFIAMBRES

SLY-ZR 200W

SLICER - CORTAFIAMBRES



EN **ENGLISH** **4 - 8**

ES **ESPAÑOL** **9 - 13**

PT **PORTUGUÊS** **14 - 18**

FR **FRANÇAIS** **19 - 23**

IT **ITALIANO** **24 - 28**

DE **DEUTSCH** **29 - 33**

NOTES **34 - 35**

WELCOME

Thank you for choosing our slicer. Before using the appliance, and to ensure the best use, carefully read these instructions.

The safety precautions enclosed herein reduce the risk of death, injury and electrical shock when correctly adhered to. Keep the manual in a safe place for future reference, along with the completed warranty card, purchase receipt and package. If applicable, pass these instructions on to the next owner of the appliance. Always follow basic safety precautions and accident-prevention measures when using an electrical appliance. We assume no liability for customer failing to comply with these requirements.

SAFETY INSTRUCTIONS

When using any electrical appliance, basic safety precautions should always be observed.

- Always disconnect the appliance from the supply if it is left unattended and before assembling, disassembling or cleaning.
- This appliance shall not be used by children. Keep the appliance and its cord out of reach of children.
- Appliances can be used by persons with reduced physical, sensory or mental capabilities or lack of experience and knowledge if they have been given supervision or instruction concerning use of the appliance in a safe way and if they understand the hazards involved.
- Children shall not play with the appliance.
- Switch off the appliance and disconnect from supply before changing accessories or approaching parts that move in use.
- This appliance must be used with the sliding feed table and the piece holder in position unless this is not possible due to the size or shape of the food.
- If the supply cord is damaged, it must be replaced by the manufacturer or its service agent or a similarly qualified person in order to avoid a hazard.
- Danger of injury: Care is needed when handling the blade, especially when removing the blade for cleaning.
- Danger of electric shock: Do not attempt to repair the appliance yourself. In case of malfunction, repairs are to be conducted by qualified personnel only.

Warning: During cleaning or operation do not immerse the electrical parts of the appliance in water or other liquids. Never hold the appliance under running water.

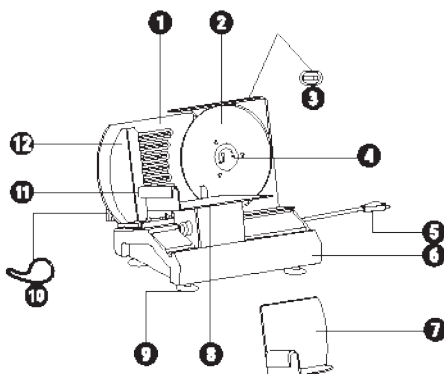
- Read this instruction manual carefully before using the appliance. It contains important information for your safety as well as operating and maintenance advice.
- Observe all safety instructions to avoid damage because of improper use.
- Keep this instruction manual for future use. Should this appliance be passed on to a third party, then this instruction manual must be included.
- No liability will be accepted for damage resulting from improper use or non-compliance with these instructions.
- Before connecting the appliance to the power supply, check that the power supply voltage and current rating corresponds with the power supply details shown on the appliance rating label.
- Never use a damaged appliance. Disconnect the appliance from the electrical outlet and contact your supplier if it is damaged.
- To avoid damaging the cord, do not squeeze, bend or chafe it on sharp edges. Keep it away from hot surfaces and open flames as well. Do not let the rotating blade touch the power cord.
- Lay out the cord in such a way that no unintentional pulling or tripping over it is possible.
- If an extension cord is used, its capacity needs to be suitable for the power consumed by the appliance.
- Do not operate the appliance with wet hands or while standing on a wet floor. Do not touch the power plug with wet hands.
- Do not open the appliance housing under any circumstances. Do not insert any foreign objects into the inside of the housing.

- Never use accessories which are not recommended by the manufacturer. They could pose a safety risk to the user and might damage the appliance. Only use original parts and accessories.
- Keep the appliance away from any hot surfaces and open flames. Always operate the appliance on a level, stable, clean and dry surface. Protect the appliance against heat, dust, direct sunlight, moisture, dripping and splashing water.
- Do not place heavy objects on top of the appliance. Do not place objects with open flames, e.g. candles, on top of or beside the appliance. Do not place objects filled with water, e.g. vases, on or near the appliance.
- Regularly check the power plug and power cord for damage. If the supply cord is damaged, it must be replaced by the manufacturer, its service agent or similarly qualified persons in order to avoid a hazard.
- Do not pull the power plug out of the electrical outlet by the power cord and do not wrap the power cord around the appliance.
- Connect the power plug to an easily reachable electrical outlet so that in case of an emergency the appliance can be unplugged immediately. Pull the power plug out of the electrical outlet to completely switch off the appliance. Use the power plug as the disconnection device.
- If the appliance should overheat, stop using the appliance and disconnect the appliance from the electrical outlet.
- Never leave the appliance unattended during use.
- Dry the appliance and all accessories before connecting to the power supply and prior to attaching the accessories.
- Always turn the appliance off before disconnecting the power plug.
- Clean the appliance thoroughly prior to using it.
- During operation keep hands, hair, clothing and utensils away from the cutting blade to avoid injuries and damage to the appliance.
- The appliance is only intended for short term operation. After an operation time of 7 minutes let it cool for at least 30 minutes. Do not overload the appliance.
- Keep fingers well away from the blade when in use. Danger of Injury.
- Always let the cutting blade come to a complete stop and remove the plug before cleaning or removing parts.
- Never use the appliance before it is properly assembled with the blade and the food holder.
- This appliance must be used with the sliding feed table and the food holder in position unless this is not possible due to the size or shape of the food.

WARNING: Risks of injuries if you don't use this appliance correctly.

PARTS LIST

1. Food shield
2. Stainless steel blade
3. On/Off switch
4. Blade knob
5. Power cord with power plug
6. Aluminum housing
7. Food holder with finger guard
8. Sliding feed table
9. Anti-slip feet
10. Slice thickness knob
11. Food guide handle
12. Sliding food guide



USAGE INSTRUCTIONS

- This appliance is only suitable for slicing food stuff, e.g. meats, cheese, fruit, vegetables and breads, etc. The food to be sliced must be thawed, unpacked and free from bones before it can be sliced with the appliance. Do not use it for slicing frozen food, bones or for any other purpose.
- This appliance is only suitable for private household use and it is not designed for commercial purposes.
- This appliance is intended for dry indoor use only. Do not use the appliance outdoors.
- Use the appliance only as described in this manual.
- Any other use might lead to damage of the appliance, property or personal injury.
- No liability will be accepted for damage resulting from improper use or non-compliance with this manual.
- The appliance is only intended for short term operation. After an operation time of 7 minutes let it cool for at least 30 minutes. Do not overload the appliance.

Before first use

- Unpack the appliance carefully and remove all packaging materials and retain for future use.

Warning: Packaging materials are not toys. Children should not play with the packaging materials, as they pose a risk of swallowing and suffocation.

- Check for the presence of all parts and for transport damage. In case of damages or incomplete delivery, please contact your dealer.
- Clean the appliance.

Warning: Do not place any part of this appliance in a dishwasher.

- **Danger of injury:** Handle the blade with care as it is very sharp.
- Place the appliance on a dry, flat, and steady surface.
- Apply downward pressure onto the appliance so that the suction feet get a good grip.

How to use

Before plugging in the appliance, make sure:

- The electrical circuit is not overloaded with other appliances.
- The blade is properly engaged and tightened.
- The on/off switch is set to 0 (off position).
- The thickness knob is set to 0.

Do not slice:

- Hardly frozen foods
- Meat with bones
- Food containing large stones or seeds
- Food in wrappers such as aluminium foil or plastic film

Making preparation:

- Pull the food guide backward, as far as it can slide.
- Place the food to be sliced on the sliding feed table. Afterwards, put the food holder onto the food guide handle and adjust it until it holds the food in place firmly.
- Place a collection tray (not provided) behind the blade to catch the slices.
- Turn the thickness knob to desired slice thickness (1 - 22 mm) .

Getting started:

- Connect the power plug to a suitable electrical outlet.
- Set the on/off switch to I (on position) to switch on the appliance. The blade starts running.
- Grasp the food holder with your right hand while keeping your thumb protected behind the food guide. Apply even pressure for best slicing results.
- Slide the food guide towards the blade. Move back and forth steadily with even pressure. Repeat for additional slices.

- After use, set the on/off switch to 0 (off position) and the thickness knob to 0.
- Allow the blade to stop running completely. Unplug the appliance afterwards.
- Release the on/off switch and it automatically returns to position 0.

Warning:

- Do not operate this appliance without the food guide and food holder in place.
- Do not operate the appliance continuously for more than 7 minutes. Allow the appliance to cool down for 30 minutes before operating it again.

TIPS AND TRICKS

- Do not slice anything that contains bones, large seeds or other extremely hard materials.
- Remove all wrapping material from food before slicing.
- Remove thick crust from food before slicing.
- To slice meats or fish wafer thin, chill before slicing.
- Use the slicer to quickly cut cucumbers, potatoes, courgette, and onions.

Hot Roasts: Beef, Pork, Lamb, Turkey, Ham

- When slicing boneless roasts, remove from oven and allow to cool for 15 - 20 minutes before slicing. The meat will retain its natural juices and slice without crumbling.
- Cut the roast, if necessary, to fit on the platform.
- Place foil underneath the platform table to catch juices and crumbs for easy cleanup.
- For rolled or tied roast, remove strings one at a time as the strings become closer to the blade (make sure the appliance is off).

Cheese

- Slice while well chilled.
- Before serving, allow cheese to reach room temperature. This will enhance the natural flavour.
- Some processed cheese may stick to the blade. When necessary, turn the appliance off and remove the plug, wipe the blade with a damp cloth. This moisture will help prevent the blade from sticking.

Bulk bacon

- Chill thoroughly before slicing. Some types of smoked bacon should have the crust removed.

Cold cuts and sandwiches

- Cold cuts of meat will keep longer and will retain flavour longer if sliced when needed.
- For best results, chill first.
- Remove any plastic or hard casing before slicing.
- Use a constant, gentle pressure for uniform slices.

Fruits and vegetables

- Slice potatoes for thick or thin chips.
- Slice carrots lengthwise in very thin strips. Soak in ice water to curl.
- Slice courgette, eggplant and squash.

Breads and cakes

- Effective with coarse textured breads and cakes.

CLEANING AND CARE

- Clean surfaces in contact with food.
- Before cleaning, always switch off the appliance, let the appliance come to a complete stop and set the thickness knob to 0.
- Disconnect the appliance from the electrical outlet.
- Clean the appliance after every use. This appliance contains no user serviceable parts and requires little maintenance. Leave any servicing or repairs to qualified personnel only.
- Do not put any part of the appliance in the dishwasher.
- Never use corrosive detergents, wire brushes, abrasive scourers, or metal or sharp implements to clean these parts.
- Wipe the appliance housing with a soft, damp cloth.
- Food holder: Immerse in warm, mild soapy water for several minutes. Rinse and dry thoroughly.
- Sliding feed table, food guide and food shield: Wipe with a soft cloth dampened with some washing up liquid. Wipe with a clean cloth and dry thoroughly. Do not immerse in water or other liquids.

Removing the blade:

- The blade is very sharp, handle with care.
- Pull the food guide backward, as far as it can slide.
- Turn the blade knob clockwise to unlock the blade. Then remove the blade.
- Immerse in warm, mild soapy water for several minutes. Rinse and dry thoroughly.

Inserting the blade:

- The blade is very sharp, handle with care.
- Turn the blade knob counter-clockwise to lock the blade in place.

Storage

- Store the appliance in a cool, dry and clean place, out of the reach of children and pets.
- Please keep the packaging for transporting the appliance or for storing your appliance when not in use for a longer period of time.

TECHNICAL SPECIFICATIONS

EN	Characteristics
Power	200W
Voltage	220-240V
Discs speed	70/95 rpm
Security system	on/off + hand guard
Dimensions	380x250x280 mm
Weight	3.40 kg



In compliance with Directives: 2012/19/EU and 2015/863/EU on the restriction of the use of dangerous substances in electric and electronic equipment as well as their waste disposal. The symbol with the crossed dustbin shown on the package indicates that the product at the end of its service life shall be collected as separate waste. Therefore, any products that have reached the end of their useful life must be given to waste disposal centres specialising in separate collection of waste electrical and electronic equipment, or given back to the retailer at the time of purchasing new similar equipment, on a one for one basis. The adequate separate collection for the subsequent start-up of the equipment sent to be recycled, treated and disposed of in an environmentally compatible way contributes to preventing possible negative effects on the environment and health and optimises the recycling and reuse of components making up the apparatus. Abusive disposal of the product by the user involves application of the administrative sanctions according to the laws.

BIENVENIDO

Gracias por elegir nuestro cortafiambrres. Antes de usar el aparato, y para garantizar el mejor uso, lea atentamente estas instrucciones.

Las precauciones de seguridad incluidas en este documento reducen el riesgo de muerte, lesiones y descargas eléctricas si se cumplen correctamente. Guarde el manual en un lugar seguro para referencia futura, junto con la tarjeta de garantía completa, el recibo de compra y el paquete. Si corresponde, pase estas instrucciones al próximo propietario del electrodoméstico. Siga siempre las precauciones de seguridad básicas y las medidas de prevención de accidentes cuando utilice un aparato eléctrico. No asumimos ninguna responsabilidad por el incumplimiento del cliente de estos requisitos.

INSTRUCCIONES DE SEGURIDAD

Al usar cualquier aparato eléctrico, siempre se deben observar precauciones básicas de seguridad.

- Siempre desconecte el aparato del suministro eléctrico si se deja desatendido y antes de montarlo, desmontarlo o limpiarlo.
- Este aparato no debe ser utilizado por niños. Mantenga el aparato y su cable fuera del alcance de los niños.
- Los aparatos pueden ser utilizados por personas con capacidades físicas, sensoriales o mentales reducidas o con falta de experiencia y conocimiento si se les ha dado supervisión o instrucciones sobre el uso del aparato de manera segura y si comprenden los riesgos involucrados.
- Los niños no deben jugar con el aparato.
- Apague el aparato y desconéctelo del suministro eléctrico antes de cambiar los accesorios o acercarse a las piezas que se mueven.
- Este electrodoméstico debe usarse con el carro empujador de corte y el soporte de alimentos en su lugar a menos que esto no sea posible debido al tamaño o la forma del alimento.
- Si el cable de alimentación está dañado, debe ser reemplazado por el fabricante o su agente de servicio o una persona cualificada de manera similar para evitar riesgos.
- Peligro de lesiones: es necesario tener cuidado al manipular la cuchilla, especialmente al retirar la cuchilla para limpiarla.
- Peligro de descarga eléctrica: no intente reparar el aparato usted mismo. En caso de mal funcionamiento, las reparaciones deben ser realizadas solo por personal cualificado.

Advertencia: Durante la limpieza o el funcionamiento, no sumerja las partes eléctricas del aparato en agua u otros líquidos. Nunca coloque el aparato bajo el agua corriente.

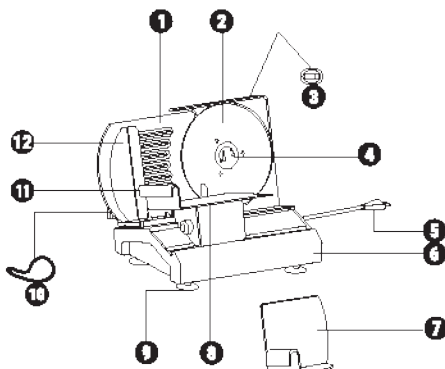
- Lea este manual de instrucciones detenidamente antes de usar el aparato ya que contiene información importante para su seguridad, así como consejos de operación y mantenimiento.
- Observe todas las instrucciones de seguridad para evitar daños debido al uso incorrecto.
- Guarde este manual de instrucciones para uso futuro. Si este dispositivo se pasa a un tercero, se debe incluir este manual de instrucciones.
- No se aceptará responsabilidad por daños resultantes del uso indebido o incumplimiento de estas instrucciones.
- Antes de conectar el aparato a la fuente de alimentación, verifique que el voltaje de la fuente de alimentación y la clasificación de corriente correspondan con los detalles de la fuente de alimentación que se muestran en la etiqueta de clasificación del aparato.
- Nunca use un aparato dañado. Desconecte el aparato de la toma de corriente y póngase en contacto con su proveedor si está dañado.
- Para evitar dañar el cable, no lo apriete, doble ni rasgue en los bordes afilados. Manténgalo alejado de superficies calientes y llamas abiertas también. No permita que la cuchilla giratoria toque el cable de alimentación.
- Extienda el cable de tal manera que no sea posible tirarlo o tropezar con él involuntariamente.
- Si se utiliza un cable de extensión, su capacidad debe ser la adecuada para la potencia consumida por el dispositivo.

- No utilice el aparato con las manos mojadas o mientras esté sobre una superficie mojada. No toque el enchufe con las manos mojadas.
- No abra la carcasa del aparato bajo ninguna circunstancia. No inserte ningún objeto extraño en el interior de la carcasa.
- Nunca use accesorios que no sean los recomendados por el fabricante. Podrían representar un riesgo para la seguridad del usuario y podrían dañar el aparato. Utilice solo piezas y accesorios originales.
- Mantenga el aparato alejado de superficies calientes y llamas abiertas. Siempre opere el aparato sobre una superficie nivelada, estable, limpia y seca. Proteja el aparato contra el calor, el polvo, la luz solar directa, la humedad, el goteo y las salpicaduras de agua.
- No coloque objetos pesados encima del aparato. No coloque objetos con llamas abiertas (por ejemplo, velas) encima o al lado del aparato. No coloque objetos llenos de agua, como jarrones, sobre el aparato o cerca de él.
- Revise regularmente el enchufe y el cable de alimentación por si hubiera daños. Si el cable de alimentación está dañado, debe ser reemplazado por el fabricante, su agente de servicio o personas cualificadas de manera similar para evitar riesgos.
- No desenchufe el cable de alimentación de la toma de corriente tirando del cable de alimentación y no enrolle el cable alrededor del aparato.
- Conecte el enchufe a una toma de corriente fácilmente accesible para que, en caso de emergencia, el aparato se pueda desconectar inmediatamente. Desconecte el enchufe de la toma de corriente para apagar completamente el aparato. Utilice el enchufe de alimentación como dispositivo de desconexión.
- Si el aparato se sobrecalienta, deje de usarlo y desconéctelo de la toma de corriente.
- Nunca deje el aparato desatendido durante su uso.
- Seque el aparato y todos los accesorios antes de conectarlo a la fuente de alimentación y antes de conectar los accesorios.
- Apague siempre el aparato antes de desconectar el enchufe de alimentación.
- Limpie el aparato a fondo antes de usarlo.
- Durante la operación, mantenga las manos, el cabello, la ropa y los utensilios alejados de la cuchilla de corte para evitar lesiones y daños al aparato.
- El aparato solo está diseñado para funcionar a corto plazo. Después de un tiempo de funcionamiento de 7 minutos, deje que se enfríe durante al menos 30 minutos. No sobrecargue el aparato.
- Mantenga los dedos lejos de la cuchilla cuando esté en uso. Existe peligro de lesiones.
- Siempre deje que la cuchilla se detenga por completo y retire el tapón antes de limpiar o quitar las piezas.
- Nunca use el aparato antes de ensamblarlo correctamente con la cuchilla y el soporte para alimentos.
- Este electrodoméstico debe usarse con la mesa de alimentación deslizante y el soporte de alimentos en posición a menos que esto no sea posible debido al tamaño o la forma de los alimentos.

ADVERTENCIA: Existe riesgo de lesiones si no utiliza este electrodoméstico correctamente.

LISTADO DE PARTES

1. Tope de corte
2. Cuchilla de acero inoxidable
3. Interruptor de encendido/apagado
4. Controlador de la cuchilla
5. Cable de alimentación e interruptor
6. Cuerpo de aluminio
7. Soporte de alimentos y protector de manos
8. Carro empujador de corte
9. Patas con ventosa
10. Regulador de grosor del corte
11. Empujador de alimentos
12. Guía de corte de alimentos



INSTRUCCIONES DE USO

- Este aparato solo es adecuado para cortar alimentos (carnes, queso, frutas, verduras y panes, etc.). La comida que se va a cortar debe descongelarse, desempaquetarse y no tener huesos antes de poder cortarla con el aparato. No lo use para rebanar alimentos congelados, huesos ni para ningún otro propósito.
- Este aparato solo es apto para uso doméstico privado y no está diseñado para fines comerciales.
- Este electrodoméstico está diseñado solo para uso en interiores secos. No utilice el aparato al aire libre.
- Use el aparato solo como se describe en este manual.
- Cualquier otro uso puede provocar daños en el aparato, bienes o lesiones personales.
- No se aceptará responsabilidad por daños resultantes del uso indebido o incumplimiento de este manual.
- El aparato solo está diseñado para funcionar a corto plazo. Después de un tiempo de funcionamiento de 7 minutos, deje que se enfríe durante al menos 30 minutos. No sobrecargue el aparato.

Antes del primer uso

- Desembale el electrodoméstico con cuidado y retire todos los materiales de embalaje y guárdelos para su uso futuro.
- Advertencia:** los materiales de embalaje no son juguetes. Los niños no deben jugar con los materiales de embalaje, ya que representan un riesgo de asfixia o atragantamiento.
- Verifique que todas las piezas se encuentran en el embalaje y si hay daños de transporte. En caso de daños o entrega incompleta, póngase en contacto con su distribuidor.
 - Limpie el aparato.

Advertencia: No coloque ninguna parte de este aparato en el lavavajillas.

- Peligro de lesiones: manipule la cuchilla con cuidado, ya que está muy afilada.
- Coloque el aparato sobre una superficie seca, plana y estable.
- Aplique presión hacia abajo sobre el aparato para que las patas con ventosa se agarren bien.

Cómo utilizarlo

Antes de enchufar el aparato, asegúrese de lo siguiente:

- El circuito eléctrico no está sobrecargado con otros electrodomésticos.
- La cuchilla está correctamente enganchada y apretada.
- El interruptor de encendido / apagado está en 0 (posición de apagado).
- El controlador de grosor se establece en 0.

No cortar en rodajas:

- Alimentos apenas congelados
- Carne con huesos
- Alimentos que contienen piedras grandes o semillas.
- Alimentos en envoltorios como papel de aluminio o plástico

Preparación:

- Tire de la gafa de corte de alimentos hacia atrás, tanto como pueda deslizarse.
- Coloque la comida a cortar en el carro empujador de corte. Luego, coloque el soporte de alimentos en el mango de la gafa y ajústelo hasta que sostenga la comida en su lugar con firmeza.
- Coloque una bandeja de recolección (no incluida) detrás de la cuchilla para recoger las rodajas.
- Gire el regulador de grosor de corte a la medida deseada (1 - 22 mm).

Empezando:

- Conecte el enchufe a una toma de corriente adecuada.
- Ajuste el interruptor de encendido / apagado en I (posición de encendido) para encender el aparato. La cuchilla comenzará a funcionar.
- Sujete el soporte de alimentos con la mano derecha mientras mantiene el pulgar protegido detrás del protector. Aplique una presión uniforme para obtener mejores resultados de corte.
- Deslice la gafa de corte de alimentos hacia la cuchilla. Muévala hacia adelante y hacia atrás de manera constante con una presión uniforme. Repita para rebanadas adicionales.

- Después del uso, ajuste el interruptor de encendido / apagado en 0 (posición de apagado) y el regulador de grosor del corte en 0.
- Deje que la cuchilla se detenga por completo y desenchufe el aparato después.
- Suelte el interruptor de encendido / apagado y automáticamente volverá a la posición 0.

Advertencia:

- No utilice este aparato sin la guía de alimentos y el soporte en su sitio.
- No utilice el aparato continuamente durante más de 7 minutos. Deje que el aparato se enfríe durante 30 minutos antes de volver a ponerlo en funcionamiento.

TRUCOS Y CONSEJOS

- No corte nada que contenga huesos, semillas grandes u otros materiales extremadamente duros.
- Retire todo el material de envoltura de los alimentos antes de cortarlos.
- Retire la corteza gruesa de los alimentos antes de cortarlos.
- Para cortar las carnes o pescados muy finos, enfríe antes de cortar.
- Use la rebanadora para cortar rápidamente pepinos, patatas, calabacines y cebollas.

Asados calientes: Ternera, cerdo, cordero, pavo, Jamón

- Cuando corte asados deshuesados, retírelos del horno y déjelos enfriar durante 15 o 20 minutos antes de cortarlos. La carne conservará sus jugos naturales y se cortará sin desmoronarse.
- Corte el asado, si es necesario, para que encaje en la plataforma.
- Coloque papel de aluminio debajo de la mesa de la plataforma para recoger los jugos y las migas para facilitar la limpieza.
- Para asado enrollado o atado, retire las cuerdas de una en una a medida que las cuerdas se acercan a la cuchilla (asegúrese de que el aparato esté apagado).

Queso

- Córtelo mientras esté bien frío.
- Antes de servir, permita que el queso alcance la temperatura ambiente. Esto mejorará el sabor natural.
- Algunos quesos procesados pueden adherirse a la cuchilla. Cuando sea necesario, apague el aparato y retire el enchufe, limpie la cuchilla con un paño húmedo. Esta humedad ayudará a evitar que la cuchilla se pegue.

Tocino grueso

- Enfríelo bien antes de cortar. A algunos tipos de tocino ahumado se les debe quitar la corteza.

Fiambre y sándwiches

- Las lonchas de fiambre se mantendrán por más tiempo y conservarán el sabor por más tiempo si se cortan cuando sea necesario.
- Para mejores resultados, enfríelo primero.
- Retire cualquier plástico o carcasa dura antes de cortar.
- Use una presión constante y suave para obtener cortes uniformes.

Frutas y verduras

- Rebane las patatas para obtener cortes gruesos o finos.
- Corte las zanahorias a lo largo en tiras muy finas. Remoje en agua helada para rizar.
- Rebane calabacines, berenjenas y calabazas.

Panes y bizcochos

- Funciona con panes y pasteles de textura gruesa.

LIMPIEZA Y CUIDADOS

- Limpie las superficies en contacto con los alimentos.
- Antes de limpiar, apague siempre el aparato, deje que se detenga por completo y ajuste el regulador de grosor a 0.
- Desconecte el aparato de la toma de corriente.
- Limpie el aparato después de cada uso. Este aparato no contiene piezas reparables por el usuario y requiere poco mantenimiento. Deje cualquier servicio o reparación solo a personal cualificado.
- No coloque ninguna parte del aparato en el lavavajillas.
- Nunca use detergentes corrosivos, cepillos de alambre, estropajos abrasivos o implementos metálicos o afilados para limpiar estas piezas.
- Limpie la carcasa del aparato con un paño suave y húmedo.
- Soporte de comida: Sumergir en agua tibia y jabonosa suave durante varios minutos. Enjuague y seque completamente.
- El carro empujador de corte, el soporte de alimentos y el protector: Limpie con un paño suave humedecido con un poco de detergente. Limpie con un paño limpio y seque completamente. No lo sumerja en agua u otros líquidos.

Retirar la cuchilla:

- La cuchilla es muy afilada, maneje con cuidado.
- Tire de la gúa de alimentos hacia atrás, tanto como pueda deslizarse.
- Gire el controlador de la cuchilla hacia la derecha para desbloquear la cuchilla. Luego retire la cuchilla.
- Sumerja en agua tibia y jabón suave durante varios minutos. Enjuague y seque completamente.

Insertar la cuchilla:

- La cuchilla es muy afilada, maneje con cuidado.
- Gire el controlador de la cuchilla hacia la izquierda para bloquear la cuchilla en su lugar.

Almacenamiento

- Guarde el aparato en un lugar fresco, seco y limpio, fuera del alcance de los niños y las mascotas.
- Guarde el embalaje para transportar el electrodoméstico o para almacenar su electrodoméstico cuando no esté en uso por un período de tiempo más largo.

ESPECIFICACIONES TÉCNICAS

ES	Characteristics
Potencia	200W
Voltaje	220-240V
Velocidad de los discos	70/95 rpm
Sistemas de seguridad	on/off + protector de mano
Dimensiones	380x250x280 mm
Peso	3,40 kg



Según las Directrices Europeas 2012/19/EU y 2015/863/EU, relativas a la reducción del uso de sustancias peligrosas en los aparatos eléctricos, además del desecho de residuos. El símbolo tachado del contenedor que se encuentra en el packaging indica la obligación de que el producto, al final de su vida útil, deberá depositarse en un lugar separado de los demás residuos. Por lo tanto el usuario deberá entregar el aparato, cuando deje de utilizarse, a los adecuados centro de recogida diferenciada de residuos electrónicos y electro técnicos, o deberá devolverlo al vendedor en el momento de compra de un nuevo aparato de tipo equivalente, uno o cambio de otro. La adecuada recogida diferenciada del aparato inutilizado para los sucesivos procesos ambientalmente compatibles de reciclaje, tratamiento y desecho, contribuye a evitar posibles efectos negativos en el medio ambiente y en la salud, y favorece el reciclaje de los materiales de los que se compone el aparato. El desecho abusivo del producto por parte del usuario implica la aplicación de las sanciones previstas por la ley.

BEM-VINDO

Obrigado por escolher o nosso cortador. Antes de usar o dispositivo e para garantir o melhor uso, leia estas Instruções cuidadosamente.

As precauções de segurança incluídas neste documento reduzem o risco de morte, ferimentos e choque elétrico se forem seguidas adequadamente. Mantenha o manual em um local seguro para referência futura, juntamente com o cartão de garantia completo, o recibo da compra e o pacote. Se aplicável, passe estas instruções para o próximo proprietário do dispositivo. Sempre siga as precauções básicas de segurança e medidas de prevenção de acidentes ao usar um aparelho elétrico. Não assumimos nenhuma responsabilidade pela falha do cliente em cumprir esses requisitos.

INSTRUÇÕES DE SEGURANÇA

Ao usar qualquer aparelho elétrico, sempre devem ser observadas as precauções básicas de segurança.

- Sempre desconecte o aparelho da fonte de alimentação se não for utilizado e antes de montá-lo, desmontá-lo ou limpá-lo.
- Este dispositivo não deve ser usado por crianças. Mantenha o dispositivo e o cabo fora do alcance de crianças.
- Os dispositivos podem ser usados por pessoas com habilidades físicas, sensoriais ou mentais reduzidas ou com falta de experiência e conhecimento se tiverem recebido supervisão ou instruções sobre como usar o dispositivo com segurança e se entenderem os riscos envolvidos.
- As crianças não devem brincar com o dispositivo.
- Desligue o aparelho e desconecte-o da fonte de alimentação antes de trocar os acessórios ou aproximar-se das partes móveis.
- Este aparelho deve ser usado com o carro do empurrador de corte e o suporte de alimentos no lugar, a menos que isso não seja possível devido ao tamanho ou formato dos alimentos.
- Se o cabo de alimentação estiver danificado, ele deverá ser substituído pelo fabricante ou seu agente de serviço ou por uma pessoa com qualificação semelhante para evitar riscos.
- Risco de ferimentos: deve-se tomar cuidado ao manusear a lâmina, principalmente ao remover a lâmina para limpeza.
- Perigo de choque elétrico: não tente reparar o dispositivo você mesmo. Em caso de mau funcionamento, os reparos devem ser realizados apenas por pessoal qualificado.

Advertência: Durante a limpeza ou operação, não mergulhe as partes elétricas do aparelho em água ou outros líquidos. Nunca coloque o dispositivo sob água corrente.

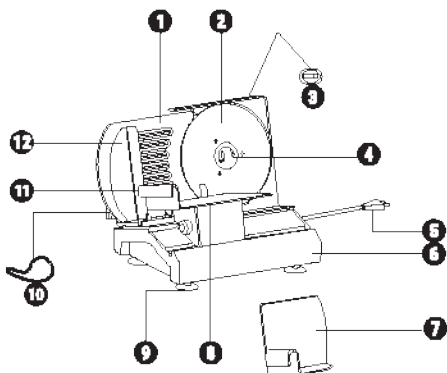
- Leia este manual de instruções cuidadosamente antes de usar o dispositivo, pois contém informações importantes para sua segurança, além de conselhos de operação e manutenção.
- Observe todas as instruções de segurança para evitar danos devido ao uso inadequado.
- Guarde este manual de instruções para uso futuro. Se este dispositivo for passado para terceiros, este manual de instruções deverá ser incluído.
- Nenhuma responsabilidade será aceita por danos resultantes do uso inadequado ou violação dessas instruções.
- Antes de conectar o dispositivo à fonte de alimentação, verifique se a tensão e a classificação da corrente correspondem aos detalhes da fonte de alimentação mostrados na etiqueta de classificação do dispositivo.
- Nunca use um dispositivo danificado. Desconecte o aparelho da tomada e entre em contato com seu revendedor se estiver danificado.
- Para evitar danificar o cabo, não aperte, dobre ou rasgue nas bordas afiadas. Mantenha-o longe de superfícies quentes e chamas também. Não permita que a lâmina rotativa toque no cabo de alimentação.
- Estenda o cabo de forma que não seja possível puxá-lo ou tropeçar nele involuntariamente.
- Se um cabo de extensão for usado, sua capacidade deverá ser adequada para a energia consumida pelo dispositivo.

- Não use o aparelho com as mãos molhadas ou enquanto estiver em uma superfície molhada. Não toque no plugue com as mãos molhadas.
- Não abra a carcaça do dispositivo sob nenhuma circunstância. Não insira nenhum objeto estranho dentro da caixa.
- Nunca use acessórios que não sejam os recomendados pelo fabricante. Eles podem representar um risco para a segurança do usuário e danificar o dispositivo. Use apenas peças e acessórios originais.
- Mantenha o aparelho longe de superfícies quentes e chamas. Sempre opere o aparelho em uma superfície nivelada, estável, limpa e seca. Proteja o dispositivo contra calor, poeira, luz solar direta, umidade, pingos e respingos de água.
- Não coloque objetos pesados sobre o aparelho. Não coloque objetos com chamas abertas (por exemplo, velas) sobre ou próximo ao dispositivo. Não coloque objetos cheios de água, como vasos, sobre ou próximo ao aparelho.
- Verifique regularmente a ficha e o cabo de alimentação quanto a danos. Se o cabo de alimentação estiver danificado, ele deverá ser substituído pelo fabricante, seu agente de serviço ou pessoas qualificadas da mesma forma para evitar riscos.
- Não desconecte o cabo de alimentação da tomada puxando-o e não enrole o cabo ao redor do aparelho.
- Conecte o plugue a uma tomada facilmente acessível para que, em caso de emergência, o dispositivo possa ser desconectado imediatamente. Desconecte o plugue da tomada para desligar completamente o aparelho. Use o plugue de energia como um dispositivo desconectado.
- Se o aparelho superaquecer, interrompa o uso e desconecte-o da tomada.
- Nunca deixe o aparelho sem vigilância durante o uso.
- Seque o aparelho e todos os acessórios antes de conectá-lo à fonte de alimentação e antes de conectar os acessórios.
- Sempre desligue o aparelho antes de desconectar o plugue de energia.
- Limpe bem o aparelho antes de usá-lo.
- Durante a operação, mantenha as mãos, cabelos, roupas e utensílios longe da lâmina de corte para evitar ferimentos e danos ao aparelho.
- O dispositivo foi projetado apenas para operação de curto prazo. Após um tempo de operação de 7 minutos, deixe esfriar por pelo menos 30 minutos. Não sobrecarregue o dispositivo.
- Mantenha os dedos afastados da lâmina quando estiver em uso. Existe o perigo de ferimentos.
- Sempre deixe a lâmina parar completamente e remova o plugue antes de limpar ou remover peças.
- Nunca use o aparelho antes de montá-lo corretamente com a lâmina e o suporte para alimentos.
- Este aparelho deve ser usado com a mesa deslizante de alimentação e o suporte de alimentos em posição, a menos que isso não seja possível devido ao tamanho ou formato dos alimentos.

ATENÇÃO: Existe o risco de ferimentos se você não usar este aparelho corretamente.

LISTA DE PEÇAS

1. Parada de corte
2. Lâmina de aço inoxidável
3. Interruptor de ligar / desligar
4. Controlador blade
5. Cabo de alimentação e Interruptor
6. Corpo em alumínio
7. Stand de comida e guarda de mão
8. Carro de corte do empurrador
9. Pernas com ventosa
10. Regulador de espessura do cortador
11. Empurrador de alimentos
12. Guia de corte de alimentos



INSTRUÇÕES DE USO

- Este dispositivo é adequado apenas para cortar alimentos (carne, queijo, frutas, legumes e pães, etc.). O alimento a ser cortado deve ser descongelado, desembalado e desossado antes de poder ser cortado com o aparelho. Não use para fatiar alimentos congelados, ossos ou para qualquer outra finalidade.
- Este aparelho é adequado apenas para uso doméstico privado e não foi projetado para fins comerciais.
- Este aparelho foi projetado para uso somente em interiores secos. Não use o aparelho ao ar livre.
- Utilize o aparelho apenas como descrito neste manual.
- Qualquer outro uso pode causar danos ao dispositivo, propriedade ou ferimentos pessoais.
- Nenhuma responsabilidade será aceita por danos resultantes do uso inadequado ou violação deste manual.
- O dispositivo foi projetado apenas para operação de curto prazo. Após um tempo de operação de 7 minutos, deixe esfriar por pelo menos 30 minutos. Não sobrecarregue o dispositivo.

Antes da primeira utilização

- Desembale o aparelho com cuidado e remova todos os materiais de embalagem e guarde-os para uso futuro.

Advertência: Os materiais de embalagem não são brinquedos. As crianças não devem brincar com materiais de embalagem, pois eles representam um risco de asfixia ou asfixia.

- Verifique se todas as peças estão na embalagem e se há danos no transporte. Em caso de danos ou entrega incompleta, entre em contato com o seu revendedor.
- Limpe o dispositivo.

Advertência: Não coloque nenhuma parte deste aparelho na máquina de lavar louça.

- Risco de ferimentos: manuseie a lâmina com cuidado, pois ela é muito afiada.
- Coloque o aparelho em uma superfície seca, plana e estável.
- Aplique pressão para baixo no aparelho, para que as pernas da ventosa se prendam bem.

Como usá-lo

Antes de conectar o aparelho, verifique o seguinte:

- O circuito elétrico não está sobrecarregado com outros aparelhos.
- A lâmina está corretamente encaixada e apertada.
- O interruptor liga / desliga está em 0 (posição desligada).
- O botão de espessura está definido como 0.

Não corte em fatias:

- Alimentos mal congelados
- Carne com ossos
- Alimentos que contêm pedras ou sementes grandes.
- Alimentos em embalagens como papel alumínio ou plástico

Preparação:

- Puxe a guia de corte de alimentos para trás o máximo possível.
- Coloque os alimentos a serem cortados no carro empurrador de corte. Em seguida, coloque o suporte para alimentos na alça da guia e ajuste-o até segurar o alimento firmemente no lugar.
- Coloque uma bandeja de coleta (não incluída) atrás da lâmina para pegar as fatias.
- Gire o regulador de espessura de corte para o tamanho desejado (1 - 22 mm).

Iniciando:

- Conecte o plugue a uma tomada apropriada.
- Coloque o interruptor liga / desliga na posição I (posição ligada) para ligar o aparelho. A lâmina começará a funcionar.
- Segure o suporte de alimentos com a mão direita, mantendo o polegar protegido atrás do escudo. Aplique uma pressão uniforme para obter melhores resultados de corte.
- Deslize a guia de corte de alimentos em direção à lâmina. Mova-o para frente e para trás constantemente, com pressão uniforme. Repita o procedimento para fatias adicionais.
- Após o uso, coloque o interruptor liga / desliga em 0 (posição desligada) e o regulador de espessura de corte em 0.

- Deixe a lâmina parar completamente e depois desconecte o aparelho.
- Solte o botão liga / desliga e ele retornará automaticamente à posição 0.

Advertância:

- Não use este aparelho sem a gula de comida e permaneça no lugar.
- Não use o dispositivo continuamente por mais de 7 minutos. Deixe o aparelho esfriar por 30 minutos antes de reiniciar.

DICAS E TRUQUES

- Não corte nada que contenha ossos, sementes grandes ou outros materiais extremamente duros.
- Remova todo o material de embalagem dos alimentos antes de cortar.
- Remova a crosta espessa dos alimentos antes de cortar.
- Para cortar carne ou peixe muito fino, leve à geladeira antes de cortar.
- Use o cortador para cortar rapidamente pepinos, batatas, abobrinha e cebola.

Assados quentes: Vitela, carne de porco, cordeiro, peru, presunto

- Ao cortar assados desossados, retire-os do forno e deixe esfriar por 15 ou 20 minutos antes de cortar. A carne reterá seus sucos naturais e será cortada sem desmoronar.
- Corte o assado, se necessário, para encaixar na plataforma.
- Coloque papel alumínio sob a mesa da plataforma para coletar sucos e migalhas para facilitar a limpeza.
- Para assados assados ou amarrados, remova os cabos, um de cada vez, à medida que eles se aproximam da lâmina (verifique se o aparelho está desligado).

Queijo

- Corte enquanto está muito frio.
- Antes de servir, deixe o queijo atingir a temperatura ambiente. Isso irá melhorar o sabor natural.
- Alguns queijos processados podem aderir à lâmina. Quando necessário, desligue o aparelho e remova o plugue, limpe a lâmina com um pano úmido. Essa umidade ajudará a impedir que a lâmina grude.

Bacon grosso

- Deixe esfriar bem antes de cortar. Alguns tipos de bacon defumado devem ser removidos da crosta.

Almoço e sanduíches

- Fatias de frios permanecerão mais tempo e reterão o sabor por mais tempo se forem cortadas quando necessário.
- Para obter melhores resultados, esfrie primeiro.
- Remova qualquer plástico duro ou casca antes de cortar.
- Use uma pressão constante e suave para obter cortes uniformes.

Frutas e verduras

- Corte as batatas para obter cortes grossos ou finos.
- Corte as cenouras longitudinalmente em tiras muito finas. Mergulhe em água gelada para enrolar.
- Fatia de abobrinha, berinjela e abóboras.

Pães e biscoitos

- Funciona com pães e bolos de textura grossa.

LIMPEZA E CUIDADOS

- Limpe as superfícies em contato com os alimentos.
- Antes da limpeza, sempre desligue o aparelho, deixe-o parar completamente e coloque o regulador de espessura em 0.
- Desconecte o aparelho da tomada.
- Limpe o aparelho após cada uso. Este aparelho não contém peças que possam ser reparadas pelo usuário e requer pouca manutenção. Deixe qualquer serviço ou reparo apenas para pessoal qualificado.
- Não coloque nenhuma parte do aparelho na máquina de lavar louça.
- Nunca use detergentes corrosivos, escovas de aço, esfregões abrasivos ou instrumentos metálicos ou afiados para limpar essas peças.
- Limpe a caixa do dispositivo com um pano úmido e macio.
- Apoio alimentar: Mergulhe em água morna e sabão por alguns minutos. Enxágüe e seque completamente.
- O carro do empurrador de corte, o suporte de alimentos e o protetor: Limpe com um pano macio umedecido com um pouco de detergente. Limpe com um pano limpo e seque completamente. Não mergulhe em água ou outros líquidos.

Retire a lâmina:

- A lâmina é muito afiada, conduza com cuidado.
- Puxe a guia de comida para trás o máximo possível.
- Gire o controlador da lâmina no sentido horário para destravar a lâmina. Em seguida, retire a lâmina.
- Mergulhe em água morna e sabão neutro por vários minutos. Enxágüe e seque completamente.

Insira a lâmina:

- A lâmina é muito afiada, conduza com cuidado.
- Gire o controlador da lâmina no sentido anti-horário para travar a lâmina no lugar.

Armazenamento

- Armazene o aparelho em local fresco, seco e limpo, fora do alcance de crianças e animais de estimação.
- Guarde a embalagem para transportar o aparelho ou para armazená-lo quando ele não estiver em uso por um longo período de tempo.

ESPECIFICAÇÕES TÉCNICAS

PT	Características
Potência	200W
Tensão	220-240V
Velocidade dos discos	70/95 rpm
Sistemas de segurança	on / off + protetor de mão
Dimensões	380x250x280 mm
Peso	3,40 kg



De acordo com as Directivas Europeias 2012/19/EU e 2015/863/EU, relativas à redução do uso de substâncias perigosas nos aparelhos eléctricos, além dos resíduos. O símbolo riscado do contêntor que está no packaging indica a obrigação de que o produto, ao final da sua vida útil, deverá depositar-se num lugar separado aos demais resíduos. Por tanto o usuário deverá entregar o aparelho, quando tenha de usá-lo, aos adequados centros de recolha diferenciada de resíduos electrónicos e electro-técnicos, ou deverá devolvê-lo ao vendedor no momento de compra de um novo aparelho do tipo equivalente, um a troca de outro. A adequada recolha diferenciada do aparelho inutilizado para os sucessivos processos ambientalmente compatíveis de reciclagem, tratamento e resíduos, contribui a evitar possíveis efeitos negativos no meio-ambiente e na saúde, e favorece a reciclagem dos materiais dos que se compõe o aparelho. O descarte abusivo do produto por parte do usuário implica a aplicação das sanções previstas pela lei.

FRANÇAIS

BIENVENUE

Merci d'avoir choisi notre trancheuse. Avant d'utiliser l'appareil et pour garantir une utilisation optimale, lisez attentivement ces instructions.

Les mesures de sécurité incluses dans ce document réduisent le risque de mort, de blessure et de choc électrique si elles sont correctement suivies. Conservez le manuel dans un endroit sûr pour référence future, avec la carte de garantie complète, le reçu d'achat et l'emballage. Le cas échéant, transmettez ces instructions au prochain propriétaire de l'appareil. Suivez toujours les précautions de sécurité de base et les mesures de prévention des accidents lorsque vous utilisez un appareil électrique. Nous déclinons toute responsabilité en cas de non-respect par le client de ces exigences.

CONSIGNES DE SÉCURITÉ

Lors de l'utilisation d'un appareil électrique, des précautions de sécurité de base doivent toujours être respectées.

- Débranchez toujours l'appareil du secteur s'il est laissé sans surveillance et avant de le monter, de le démonter ou de le nettoyer.
- Cet appareil ne doit pas être utilisé par des enfants. Gardez l'appareil et son câble hors de portée des enfants.
- Les appareils peuvent être utilisés par des personnes ayant des capacités physiques, sensorielles ou mentales réduites ou un manque d'expérience et de connaissances si elles ont reçu une supervision ou des instructions sur la façon d'utiliser l'appareil en toute sécurité et si elles comprennent les risques encourus.
- Les enfants ne doivent pas jouer avec l'appareil.
- Éloignez l'appareil et débranchez-le de l'alimentation avant de changer d'accessoire ou d'approcher des pièces mobiles.
- Cet appareil doit être utilisé avec le chariot du poussoir de coupe et le support des aliments en place, sauf si cela n'est pas possible en raison de la taille ou de la forme des aliments.
- Si le cordon d'alimentation est endommagé, il doit être remplacé par le fabricant ou son agent de service ou une personne de qualification similaire pour éviter les risques.
- Risque de blessure: des précautions doivent être prises lors de la manipulation de la lame, en particulier lors du retrait de la lame pour le nettoyage.
- Danger de choc électrique: n'essayez pas de réparer l'appareil vous-même. En cas de dysfonctionnement, les réparations ne doivent être effectuées que par du personnel qualifié.

Avertissement: Pendant le nettoyage ou le fonctionnement, ne plongez pas les parties électriques de l'appareil dans l'eau ou d'autres liquides. Ne placez jamais l'appareil sous l'eau courante.

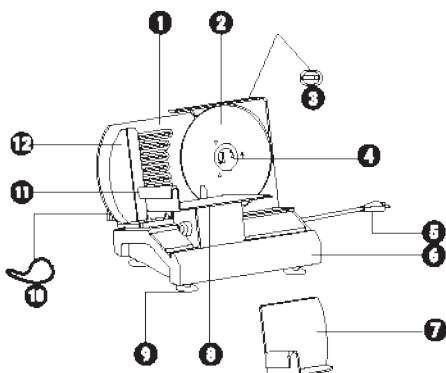
- Lisez attentivement ce manuel d'instructions avant d'utiliser l'appareil car il contient des informations importantes pour votre sécurité, ainsi que des conseils d'utilisation et d'entretien.
- Respectez toutes les consignes de sécurité pour éviter tout dommage dû à une mauvaise utilisation.
- Conservez ce manuel d'instructions pour une utilisation future. Si cet appareil est transmis à un tiers, ce manuel d'instructions doit être inclus.
- Aucune responsabilité ne sera acceptée pour les dommages résultant d'une mauvaise utilisation ou d'une violation de ces instructions.
- Avant de connecter l'appareil à l'alimentation électrique, vérifiez que la tension d'alimentation et le courant nominal correspondent aux détails de l'alimentation électrique indiqués sur l'étiquette de l'appareil.
- N'utilisez jamais un appareil endommagé. Débranchez l'appareil de la prise de courant et contactez votre revendeur s'il est endommagé.
- Pour éviter d'endommager le câble, ne serrez pas, ne pliez pas ou ne déchirez pas les bords tranchants. Gardez-le à l'écart des surfaces chaudes et des flammes nues. Ne laissez pas la lame rotative toucher le cordon d'alimentation.
- Déployez le câble de manière à ce qu'il ne soit pas possible de le tirer ou de trébucher dessus involontairement.

- Si une rallonge est utilisée, sa capacité doit être adaptée à l'énergie consommée par l'appareil.
- N'utilisez pas l'appareil avec les mains mouillées ou sur une surface mouillée. Ne touchez pas la fiche avec les mains mouillées.
- N'ouvrez en aucun cas le boîtier de l'appareil. N'insérez aucun objet étranger à l'intérieur du boîtier.
- N'utilisez jamais d'accessoires autres que ceux recommandés par le fabricant. Ils pourraient présenter un risque pour la sécurité de l'utilisateur et pourraient endommager l'appareil. Utilisez uniquement des pièces et accessoires d'origine.
- Tenez l'appareil éloigné des surfaces chaudes et des flammes nues. Faites toujours fonctionner l'appareil sur une surface plane, stable, propre et sèche. Protégez l'appareil contre la chaleur, la poussière, la lumière directe du soleil, l'humidité, les gouttes d'eau et les projections d'eau.
- Ne placez pas d'objets lourds sur l'appareil. Ne placez pas d'objets avec des flammes nues (par exemple des bougies) sur ou à côté de l'appareil. Ne placez pas d'objets remplis d'eau, tels que des vases, sur ou à proximité de l'appareil.
- Vérifiez régulièrement que la fiche et le cordon d'alimentation ne sont pas endommagés. Si le cordon d'alimentation est endommagé, il doit être remplacé par le fabricant, son agent de service ou des personnes de qualification similaire pour éviter les risques.
- Ne débranchez pas le cordon d'alimentation de la prise de courant en tirant sur le cordon d'alimentation et n'enroulez pas le cordon autour de l'appareil.
- Branchez la fiche à une prise facilement accessible afin qu'en cas d'urgence, l'appareil puisse être déconnecté immédiatement. Débranchez la fiche de la prise de courant pour éteindre complètement l'appareil. Utilisez la fiche d'alimentation comme dispositif de déconnexion.
- Si l'appareil surchauffe, arrêtez de l'utiliser et débranchez-le de la prise de courant.
- Ne laissez jamais l'appareil sans surveillance pendant son utilisation.
- Séchez l'appareil et tous les accessoires avant de le connecter à l'alimentation et avant de connecter les accessoires.
- Éteignez toujours l'appareil avant de débrancher la fiche d'alimentation.
- Nettoyez soigneusement l'appareil avant de l'utiliser.
- Pendant le fonctionnement, éloignez les mains, les cheveux, les vêtements et les ustensiles de la lame de coupe pour éviter les blessures et les dommages à l'appareil.
- L'appareil est uniquement conçu pour un fonctionnement à court terme. Après un temps de fonctionnement de 7 minutes, laissez-le refroidir pendant au moins 30 minutes. Ne surchargez pas l'appareil.
- Gardez les doigts éloignés de la lame lors de son utilisation. Il existe un risque de blessure.
- Laissez toujours la lame s'arrêter complètement et retirez le bouchon avant de nettoyer ou de retirer les pièces.
- N'utilisez jamais l'appareil avant de l'assembler correctement avec la lame et le porte-aliments.
- Cet appareil doit être utilisé avec la table d'alimentation coulissante et le support pour aliments en place, sauf si cela n'est pas possible en raison de la taille ou de la forme des aliments.

AVERTISSEMENT: Il existe un risque de blessure si vous n'utilisez pas correctement cet appareil.

LISTE DES PIÈCES

1. Arrêt de coupe
2. lame en acier inoxydable
3. Interrupteur marche / arrêt
4. Contrôleur de lame
5. Câble d'alimentation et interrupteur
6. Corps en aluminium
7. Stand de nourriture et garde-main
8. Voiture de coupe poussoir
9. Pieds avec ventouse
10. Régulateur d'épaisseur de coupe
11. Poussoir de nourriture
12. Guide de coupe des aliments



MODE D'EMPLOI

- Cet appareil ne convient que pour couper des aliments (viande, fromage, fruits, légumes et pains, etc.). Les aliments à couper doivent être décongelés, déballés et désossés avant de pouvoir être coupés avec l'appareil. Ne pas utiliser pour trancher des aliments surgelés, des os ou à toute autre fin.
- Cet appareil ne convient qu'à un usage domestique privé et n'est pas conçu à des fins commerciales.
- Cet appareil est conçu pour être utilisé uniquement dans des intérieurs secs. N'utilisez pas l'appareil à l'extérieur.
- Utilisez l'appareil uniquement comme décrit dans ce manuel.
- Toute autre utilisation peut endommager l'appareil, les biens ou blesser quelqu'un.
- Aucune responsabilité ne sera acceptée pour les dommages résultant d'une mauvaise utilisation ou d'une violation de ce manuel.
- L'appareil est uniquement conçu pour un fonctionnement à court terme. Après un temps de fonctionnement de 7 minutes, laissez-le refroidir pendant au moins 30 minutes. Ne surchargez pas l'appareil.

Avant la première utilisation

- Déballiez soigneusement l'appareil et retirez tous les matériaux d'emballage et conservez-les pour une utilisation future.
- Avertissement:** Les matériaux d'emballage ne sont pas des jouets. Les enfants ne doivent pas jouer avec les matériaux d'emballage, car ils représentent un risque d'étouffement ou d'étouffement.
- Vérifiez que toutes les pièces sont dans l'emballage et s'il y a des dommages de transport. En cas de dommage ou de livraison incomplète, contactez votre revendeur.
 - Nettoyez l'appareil.

Avertissement: Ne placez aucune pièce de cet appareil dans le lave-vaisselle.

- Risque de blessure: manipulez la lame avec précaution, car elle est très tranchante.
- Placez l'appareil sur une surface sèche, plate et stable.
- Appliquez une pression vers le bas sur l'appareil afin que les pieds de la ventouse adhèrent bien.

Comment l'utiliser

Avant de brancher l'appareil, assurez-vous de ce qui suit:

- Le circuit électrique n'est pas surchargé par d'autres appareils.
- La lame est correctement engagée et serrée.
- L'interrupteur marche / arrêt est à 0 (position arrêt).
- Le bouton d'épaisseur est réglé sur 0.

Ne coupez pas en tranches:

- Aliments à pelure surgelés
- Viande avec os
- Les aliments qui contiennent de grosses pierres ou des graines.
- Aliments dans des emballages tels que du papier d'aluminium ou du plastique

Préparation:

- Tirez le guide de coupe des aliments aussi loin que possible.
- Placez les aliments à couper dans le chariot poussoir de coupe. Ensuite, placez le support pour aliments sur la poignée du guide et ajustez-le jusqu'à ce que vous maintenez fermement les aliments en place.
- Placez un plateau de collecte (non inclus) derrière la lame pour ramasser les tranches.
- Tournez le régulateur d'épaisseur de coupe à la taille souhaitée (1 - 22 mm).

Démarrage:

- Connectez la fiche à une prise appropriée.
- Réglez l'interrupteur marche / arrêt sur I (position marche) pour allumer l'appareil. La lame commencera à fonctionner.
- Tenez le porte-aliments avec votre main droite tout en gardant votre pouce protégé derrière le bouclier. Appliquez une pression uniforme pour de meilleurs résultats de coupe.
- Faites glisser le guide de coupe des aliments vers la lame. Déplacez-le régulièrement d'avant en arrière avec une pression uniforme. Répétez l'opération pour des tranches supplémentaires.

- Après utilisation, réglez l'interrupteur marche / arrêt sur 0 (position arrêt) et le régulateur d'épaisseur de coupe sur 0.
- Laissez la lame s'arrêter complètement et débranchez ensuite l'appareil.
- Relâchez l'interrupteur marche / arrêt et il reviendra automatiquement en position 0.

Avertissement

- N'utilisez pas cet appareil sans le guide alimentaire et ne le mettez pas en place.
- N'utilisez pas l'appareil en continu pendant plus de 7 minutes. Laissez l'appareil refroidir pendant 30 minutes avant de redémarrer.

TRUCS ET ASTUCES

- Ne coupez rien qui contienne des os, de grosses graines ou d'autres matériaux extrêmement durs.
- Retirez tous les matériaux d'emballage des aliments avant de les couper.
- Retirez la croûte épaisse des aliments avant de les couper.
- Pour couper de la viande ou du poisson très mince, réfrigérez avant de couper.
- Utilisez la trancheuse pour couper rapidement les concombres, les pommes de terre, les courgettes et les oignons.

Rôtis chauds: Veau, porc, agneau, dinde, Jambon

- Lorsque vous coupez des rôtis désossés, retirez-les du four et laissez-les refroidir pendant 15 ou 20 minutes avant de les couper. La viande conservera son jus naturel et sera coupée sans s'effondrer.
- Coupez le rôti, si nécessaire, pour l'adapter à la plate-forme.
- Placez du papier d'aluminium sous la table de la plate-forme pour collecter les jus et les miettes pour un nettoyage facile.
- Pour le rôti ou le rôti lié, retirez les cordes une à une à mesure que les cordes approchent de la lame (assurez-vous que l'appareil est éteint).

Fromage

- Coupez-le pendant qu'il fait très froid.
- Avant de servir, laissez le fromage atteindre la température ambiante. Cela améliorera la saveur naturelle.
- Certains fromages fondus peuvent adhérer à la lame. Si nécessaire, éteignez l'appareil et retirez la fiche, nettoyez la lame avec un chiffon humide. Cette humidité aidera à empêcher la lame de coller.

Bacon épais

- Bien refroidir avant de couper. Certains types de bacon fumé doivent être retirés de la croûte.

Déjeuner et sandwichs

- Les tranches de charcuterie resteront plus longtemps et conserveront la saveur plus longtemps si elles sont coupées au besoin.
- Pour de meilleurs résultats, refroidissez-le d'abord.
- Retirez tout plastique dur ou coque avant de couper.
- Utilisez une pression constante et douce pour obtenir des coupes uniformes.

Les fruits et légumes

- Trancher les pommes de terre pour obtenir des coupes épaisses ou fines.
- Coupez les carottes sur la longueur en fines lamelles. Faire tremper dans de l'eau glacée pour boucler.
- Trancher les courgettes, les aubergines et les citrouilles.

Pains et biscuits

- Il fonctionne avec des pains et des gâteaux à texture grossière.

NETTOYAGE ET ENTRETIEN

- Nettoyer les surfaces en contact avec les aliments.
- Avant le nettoyage, éteignez toujours l'appareil, laissez-le s'arrêter complètement et réglez le régulateur d'épaisseur sur 0.
- Débranchez l'appareil de la prise de courant.
- Nettoyez l'appareil après chaque utilisation. Cet appareil ne contient pas de pièces réparables par l'utilisateur et nécessite peu d'entretien. Confiez tout service ou réparation uniquement à du personnel qualifié.
- Ne placez aucune pièce de l'appareil dans le lave-vaisselle.
- N'utilisez jamais de détergents corrosifs, de brosses métalliques, de tampons à récurer abrasifs ou d'outils métalliques ou tranchants pour nettoyer ces pièces.
- Nettoyez le boîtier de l'appareil avec un chiffon doux et humide.
- Soutien alimentaire: Trempez dans de l'eau chaude savonneuse pendant plusieurs minutes. Rincer et sécher complètement.
- Le chariot poussoir de coupe, le support alimentaire et le protecteur: Nettoyez avec un chiffon doux imbibé d'un peu de détergent. Essuyez avec un chiffon propre et séchez complètement. Ne pas plonger dans l'eau ou dans d'autres liquides.

Retirez la lame:

- La lame est très tranchante, roulez prudemment.
- Tirez le guide alimentaire aussi loin que possible.
- Tournez le contrôleur de lame dans le sens horaire pour déverrouiller la lame. Retirez ensuite la lame.
- Trempez dans de l'eau tiède et du savon doux pendant plusieurs minutes. Rincer et sécher complètement.

Insérez la lame:

- La lame est très tranchante, roulez prudemment.
- Tournez le contrôleur de lame dans le sens antihoraire pour verrouiller la lame en place.

Stockage

- Rangez l'appareil dans un endroit frais, sec et propre, hors de portée des enfants et des animaux domestiques.
- Conservez l'emballage pour transporter l'appareil ou pour stocker votre appareil lorsqu'il n'est pas utilisé pendant une période plus longue.

SPÉCIFICATIONS TECHNIQUES

FR	CARACTÉRISTIQUES
Puissance	200W
Tension	220-240V
Vitesse des disques	70/95 tr / min
Systèmes de sécurité	marche / arrêt + protège-main
Dimensions	380x250x280 mm
Poids	3,40 kg



Selon les Directives européennes 2012/19/EU et 2015/863/EU, relatives à la limitation de l'utilisation de substances dangereuses dans les équipements électriques, et à l'élimination des déchets. Le symbole de la poubelle renversée qui se trouve sur l'emballage indique l'obligation d'éliminer le produit, à la fin de sa vie utile, dans un endroit séparé des autres déchets. Par conséquent, l'utilisateur doit remettre l'appareil, lorsqu'il cesse d'être utilisé, dans un centre de collecte sélective de déchets électroniques et électro-techniques approprié, ou doit le restituer au vendeur au moment de l'achat d'un nouvel appareil similaire. La collecte sélective et adéquate de l'appareil inutilisé pour les différents procédés de recyclage, notamment et surtout écologiquement compatibles, contribue à éviter de possibles impacts négatifs sur l'environnement et la santé, et favorise le recyclage des matériaux composant l'appareil. Jeter le produit de façon abusive entraîne l'application des sanctions prévues par la loi.

BENVENUTO

Grazie per aver scelto la nostra affettatrice. Prima di utilizzare il dispositivo e per garantire il miglior utilizzo, leggere attentamente queste istruzioni.

Le precauzioni di sicurezza incluse in questo documento riducono il rischio di morte, lesioni e scosse elettriche se seguite correttamente. Conservare il manuale in un luogo sicuro per riferimenti futuri, insieme alla scheda di garanzia completa, alla ricevuta di acquisto e al pacchetto. Se applicabile, passare queste istruzioni al prossimo proprietario dell'apparecchio. Seguire sempre le precauzioni di sicurezza di base e le misure di prevenzione degli incidenti quando si utilizza un apparecchio elettrico. Non ci assumiamo alcuna responsabilità per il mancato rispetto da parte del cliente di tali requisiti.

ISTRUZIONI DI SICUREZZA

Quando si utilizza qualsiasi apparecchio elettrico, è necessario osservare sempre le precauzioni di sicurezza di base.

- Scollegare sempre l'apparecchio dall'alimentazione elettrica se lasciato incustodito e prima di montarlo, smontarlo o pulirlo.
- Questo dispositivo non deve essere utilizzato dai bambini. Tenere il dispositivo e il cavo fuori dalla portata dei bambini.
- I dispositivi possono essere utilizzati da persone con ridotte capacità fisiche, sensoriali o mentali o mancanza di esperienza e conoscenza se hanno ricevuto supervisione o istruzioni su come utilizzare il dispositivo in sicurezza e se comprendono i rischi.
- I bambini non devono giocare con il dispositivo.
- Spegnerlo l'apparecchio e scollegarlo dall'alimentazione prima di cambiare gli accessori o avvicinarsi alle parti in movimento.
- Questo apparecchio deve essere utilizzato con il carrello spintore di taglio e il supporto per alimenti in posizione, a meno che ciò non sia possibile a causa delle dimensioni o della forma del cibo.
- Se il cavo di alimentazione è danneggiato, deve essere sostituito dal produttore o dal suo agente di servizio o da una persona qualificata per evitare rischi.
- Pericolo di lesioni: prestare attenzione quando si maneggia la lama, in particolare quando si rimuove la lama per la pulizia.
- Pericolo di scossa elettrica: non tentare di riparare da soli il dispositivo. In caso di malfunzionamento, le riparazioni devono essere eseguite solo da personale qualificato.

avvertimento: Durante la pulizia o il funzionamento, non immergere le parti elettriche dell'apparecchio in acqua o altri liquidi. Non posizionare mai il dispositivo sotto l'acqua corrente.

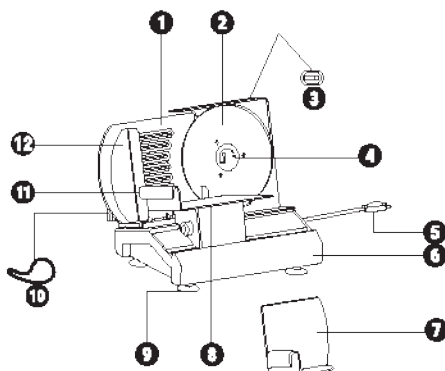
- Leggere attentamente questo manuale di istruzioni prima di utilizzare il dispositivo poiché contiene informazioni importanti per la sicurezza, nonché consigli sul funzionamento e sulla manutenzione.
- Osservare tutte le istruzioni di sicurezza per evitare danni causati da un uso improprio.
- Conservare questo manuale di istruzioni per uso futuro. Se questo dispositivo viene passato a terzi, è necessario includere questo manuale di istruzioni.
- Non sarà accettata alcuna responsabilità per danni derivanti da uso improprio o violazione di queste istruzioni.
- Prima di collegare il dispositivo all'alimentazione, verificare che la tensione e la corrente dell'alimentatore corrispondano ai dettagli dell'alimentatore indicati sull'etichetta della classificazione del dispositivo.
- Non usare mai un dispositivo danneggiato. Staccare la spina dalla presa di corrente e contattare il rivenditore se è danneggiato.
- Per evitare di danneggiare il cavo, non stringere, piegare o strappare i bordi taglienti. Tenerlo lontano da superfici calde e fiamme libere. Evitare che la lama rotante tocchi il cavo di alimentazione.
- Estendere il cavo in modo che non sia possibile tirarlo o inciampare involontariamente.

- Se viene utilizzato un cavo di prolunga, la sua capacità deve essere adeguata alla potenza consumata dal dispositivo.
- Non utilizzare l'apparecchio con le mani bagnate o su una superficie bagnata. Non toccare la spina con le mani bagnate.
- Non aprire l'alloggiamento del dispositivo in nessun caso. Non inserire oggetti estranei all'interno dell'alloggiamento.
- Non utilizzare mai accessori diversi da quelli consigliati dal produttore. Potrebbero rappresentare un rischio per la sicurezza dell'utente e potrebbero danneggiare il dispositivo. Utilizzare solo parti e accessori originali.
- Tenere l'apparecchio lontano da superfici calde e fiamme libere. Utilizzare sempre l'apparecchio su una superficie piana, stabile, pulita e asciutta. Proteggere il dispositivo da calore, polvere, luce solare diretta, umidità, gocce e spruzzi d'acqua.
- Non collocare oggetti pesanti sopra l'apparecchio. Non posizionare oggetti con fiamme libere (ad es. Candele) sul o vicino al dispositivo. Non collocare oggetti pieni di acqua, come vasi, sopra o vicino all'apparecchio.
- Controllare regolarmente che la spina e il cavo di alimentazione non siano danneggiati. Se il cavo di alimentazione è danneggiato, deve essere sostituito dal produttore, dal suo agente di servizio o da persone analogamente qualificate per evitare rischi.
- Non scollegare il cavo di alimentazione dalla presa tirando il cavo di alimentazione e non avvolgere il cavo attorno all'apparecchio.
- Collegare la spina a una presa facilmente accessibile in modo che, in caso di emergenza, il dispositivo possa essere disconnesso immediatamente. Staccare la spina dalla presa di corrente per spegnere completamente l'apparecchio. Utilizzare la spina di alimentazione come dispositivo di disconnessione.
- Se l'apparecchio si surriscalda, interrompere l'uso e scollegarlo dalla presa di corrente.
- Non lasciare mai l'apparecchio incustodito durante l'uso.
- Asciugare l'apparecchio e tutti gli accessori prima di collegarlo all'alimentazione e prima di collegare gli accessori.
- Spegnerne sempre l'apparecchio prima di scollegare la spina di alimentazione.
- Pulire accuratamente l'apparecchio prima di utilizzarlo.
- Durante il funzionamento, tenere mani, capelli, indumenti e utensili lontani dalla lama di taglio per evitare lesioni e danni all'apparecchio.
- Il dispositivo è progettato solo per un funzionamento a breve termine. Dopo un tempo di funzionamento di 7 minuti, lasciarlo raffreddare per almeno 30 minuti. Non sovraccaricare il dispositivo.
- Tenere le dita lontane dalla lama durante l'uso. C'è il pericolo di lesioni.
- Attendere sempre che la lama si fermi completamente e rimuovere la spina prima di pulire o rimuovere le parti.
- Non utilizzare mai l'apparecchio prima di averlo assemblato correttamente con la lama e il supporto per alimenti.
- Questo apparecchio deve essere utilizzato con la tavola di alimentazione scorrevole e il supporto per alimenti in posizione, a meno che ciò non sia possibile a causa delle dimensioni o della forma del cibo.

ATTENZIONE: Vi è il rischio di lesioni se non si utilizza correttamente questo apparecchio.

ELENCO DELLE PARTI

1. Stop al taglio
2. Lama in acciaio inossidabile
3. Interruttore on / off
4. Controller lama
5. Cavo di alimentazione e interruttore
6. Corpo in alluminio
7. Stand gastronomico e protezione per le mani
8. Carro da taglio a spinta
9. Gambe con ventosa
10. Regolatore di spessore della taglierina
11. Spintore alimentare
12. Guida al taglio degli alimenti



ISTRUZIONI PER L'USO

- Questo dispositivo è adatto solo per tagliare alimenti (carne, formaggio, frutta, verdura e pane, ecc.). Gli alimenti da tagliare devono essere scongelati, spaccettati e disossati prima di poter essere tagliati con l'apparecchio. Non utilizzare per tagliare alimenti congelati, ossa o per altri scopi.
- Questo apparecchio è adatto solo per uso domestico privato e non è progettato per scopi commerciali.
- Questo apparecchio è progettato per l'uso solo in ambienti asciutti. Non utilizzare l'apparecchio all'aperto.
- Utilizzare l'apparecchio solo come descritto nel presente manuale.
- Qualsiasi altro uso può causare danni al dispositivo, alla proprietà o lesioni personali.
- Non sarà accettata alcuna responsabilità per danni derivanti da uso improprio o violazione del presente manuale.
- Il dispositivo è progettato solo per un funzionamento a breve termine. Dopo un tempo di funzionamento di 7 minuti, lasciarlo raffreddare per almeno 30 minuti. Non sovraccaricare il dispositivo.

Prima del primo utilizzo

- Disimballare l'apparecchio con cura, rimuovere tutti i materiali di imballaggio e conservarli per un uso futuro.
- avvertimento:** I materiali di imballaggio non sono giocattoli. I bambini non devono giocare con i materiali di imballaggio, in quanto rappresentano un rischio di soffocamento o soffocamento.
- Verificare che tutte le parti siano nella confezione e se vi siano danni da trasporto. In caso di danni o consegna incompleta, contattare il rivenditore.
 - Pullsci il dispositivo.

avvertimento: Non mettere alcuna parte di questo apparecchio in lavastoviglie.

- Pericolo di lesioni: maneggiare la lama con cura, poiché è molto affilata.
- Posizionare l'apparecchio su una superficie asciutta, piana e stabile.
- Applicare una pressione verso il basso sull'apparecchio in modo che le gambe della ventosa aderiscano bene.

Come usarlo

Prima di collegare l'apparecchio, accertarsi di quanto segue:

- Il circuito elettrico non è sovraccarico di altri apparecchi.
- La lama è correttamente inserita e serrata.
- L'interruttore on / off è su 0 (posizione off).
- La manopola dello spessore è impostata su 0.

Non tagliare a fette:

- Alimenti a malapena congelati
- Carne con ossa
- Alimenti che contengono grandi pietre o semi.
- Alimenti in imballaggi come fogli di alluminio o plastica

preparazione:

- Tirare indietro la guida di taglio per alimenti fino a quando può scivolare.
- Posizionare il cibo da tagliare nell'auto spintore di taglio. Quindi, posizionare il supporto per alimenti sull'impugnatura della guida e regolarlo finché non si tiene saldamente in posizione il cibo.
- Posizionare un vassoio di raccolta (non incluso) dietro la lama per raccogliere le fette.
- Ruotare il regolatore di spessore di taglio sulla dimensione desiderata (1 - 22 mm).

inizio:

- Collegare la spina a una presa appropriata.
- Posizionare l'interruttore on / off su I (posizione on) per accendere l'apparecchio. La lama inizierà a funzionare.
- Tenere il porta-alimenti con la mano destra mantenendo il pollice protetto dietro lo scudo. Applicare una pressione uniforme per i migliori risultati di taglio.
- Far scorrere la guida per tagliare gli alimenti verso la lama. Spostalo avanti e indietro costantemente con una pressione uniforme. Ripetere l'operazione per ulteriori sezioni.

- Dopo l'uso, impostare l'interruttore on / off su 0 (posizione off) e il regolatore dello spessore di taglio su 0.
- Consentire alla lama di arrestarsi completamente e successivamente scollegare l'apparecchio.
- Rilascia l'interruttore on / off e tornerà automaticamente alla posizione 0.

avvertimento:

- Non utilizzare questo apparecchio senza la guida alimentare e stare in posizione.
- Non utilizzare il dispositivo continuamente per più di 7 minuti. Lasciare raffreddare l'apparecchio per 30 minuti prima di riavviare.

SUGGERIMENTI E TRUCCHI

- Non tagliare nulla che contenga ossa, semi di grandi dimensioni o altri materiali estremamente duri.
- Rimuovere tutto il materiale da imballaggio dagli alimenti prima del taglio.
- Rimuovere la crosta spessa dal cibo prima del taglio.
- Per tagliare carne o pesce molto sottili, raffreddare prima di tagliare.
- Usa l'affettatrice per tagliare rapidamente cetrioli, patate, zucchine e cipolle.

Arrosti caldi: Vitello, maiale, agnello, tacchino, prosciutto

- Quando si tagliano arrosti disossati, rimuoverli dal forno e lasciarli raffreddare per 15 o 20 minuti prima di tagliare. La carne manterrà i suoi succhi naturali e verrà tagliata senza cadere a pezzi.
- Tagliare l'arrosto, se necessario, per adattarlo alla piattaforma.
- Posizionare un foglio di alluminio sotto il tavolo della piattaforma per raccogliere i succhi e le briciole per una facile pulizia.
- Per arrosti arrostiti o legati, rimuovere le corde una alla volta mentre le corde si avvicinano alla lama (assicurarsi che l'apparecchio sia spento).

Formaggio

- Tagliarlo mentre fa molto freddo.
- Prima di servire, lasciare che il formaggio raggiunga la temperatura ambiente. Ciò migliorerà il sapore naturale.
- Alcuni formaggi trasformati possono aderire alla lama. Se necessario, spegnere l'apparecchio e rimuovere la spina, pulire la lama con un panno umido. Questa umidità aiuta a prevenire l'attaccamento della lama.

Pancetta spessa

- Raffreddalo bene prima di tagliare. Alcuni tipi di pancetta affumicata devono essere rimossi dalla crosta.

Pranzo e tramezzini

- Le fette di salumi rimarranno più a lungo e manterranno il sapore più a lungo se vengono tagliate quando necessario.
- Per i migliori risultati, raffreddalo prima.
- Rimuovere qualsiasi plastica dura o guscio prima del taglio.
- Usare una pressione costante e delicata per ottenere tagli uniformi.

Frutta e verdura

- Affettare le patate per ottenere tagli spessi o sottili.
- Tagliare le carote nel senso della lunghezza in strisce molto sottili. Immergere in acqua ghiacciata per arricciare.
- Affetta zucchine, melanzane e zucche.

Pane e biscotti

- Funziona con pane e torte a trama grossa.

PULIZIA E CURA

- Pulire le superfici a contatto con gli alimenti.
- Prima della pulizia, spegnere sempre l'apparecchio, lasciarlo arrestare completamente e impostare il regolatore di spessore su 0.
- Staccare la spina dalla presa di corrente.
- Pulire l'apparecchio dopo ogni utilizzo. Questo apparecchio non contiene parti riparabili dall'utente e richiede poca manutenzione. Lasciare qualsiasi servizio o riparazione solo a personale qualificato.
- Non mettere nessuna parte dell'apparecchio nella lavastoviglie.
- Non utilizzare detergenti corrosivi, spazzole metalliche, pagliette abrasive o strumenti metallici o affilati per pulire queste parti.
- Pulire l'alloggiamento del dispositivo con un panno morbido inumidito.
- Supporto alimentare: Immergere in acqua calda e sapone per alcuni minuti. Risciacquare e asciugare completamente.
- Il carrello spintore, il supporto per alimenti e la protezione: Pulire con un panno morbido inumidito con un po' di detergente. Pulire con un panno pulito e asciugare completamente. Non immergere in acqua o altri liquidi.

Rimuovere la lama:

- La lama è molto affilata, guidare con attenzione.
- Tirare indietro la guida degli alimenti per quanto può scivolare.
- Ruotare il controller della lama in senso orario per sbloccare la lama. Quindi rimuovere la lama.
- Immergere in acqua calda e sapone neutro per diversi minuti. Risciacquare e asciugare completamente.

Inserisci la lama:

- La lama è molto affilata, guidare con attenzione.
- Ruotare il controller della lama in senso antiorario per bloccare la lama in posizione.

Immagazzinamento

- Conservare l'apparecchio in un luogo fresco, asciutto e pulito, fuori dalla portata di bambini e animali domestici.
- Conservare l'imballo per trasportare l'apparecchio o per riporlo quando non viene utilizzato per un lungo periodo di tempo.

SPECIFICHE TECNICHE

IT	caratteristiche
potere	200W
tensione	220-240V
Velocità dei dischi	70/95 rpm
Sistemi di sicurezza	on / off + paramano
dimensioni	380x250x280 mm
peso	3,40 kg



Secondo le direttive europee 2012/19/EU e 2015/863/EU sulla riduzione dell'uso di sostanze pericolose nelle apparecchiature elettriche e sullo smaltimento dei rifiuti, il simbolo barrato sul contenitore sulla confezione indica l'obbligo che il prodotto, al termine della sua vita utile, deve essere smaltito separatamente dagli altri rifiuti. L'utente deve quindi restituire il dispositivo, quando non è più in uso, all'apposito centro di raccolta differenziata per i rifiuti elettronici ed elettromeccanici, oppure restituirlo al venditore al momento dell'acquisto di un nuovo dispositivo di tipo equivalente, uno o sostituzione dell'altro. Un'adeguata raccolta differenziata del dispositivo non utilizzato per i successivi processi di riciclaggio, trattamento e smaltimento compatibili con l'ambiente contribuisce ad evitare possibili effetti negativi sull'ambiente e sulla salute e favorisce il riciclaggio dei materiali di cui il dispositivo è composto. Lo smaltimento abusivo del prodotto da parte dell'utente implica l'applicazione delle sanzioni previste dal codice penale.

DEUTSCH

WILLKOMMEN

Vielen Dank, dass Sie sich für unseren Allesstecher entschieden haben. Lesen Sie diese Anweisungen sorgfältig durch, bevor Sie das Gerät verwenden und um eine optimale Verwendung zu gewährleisten.

Die in diesem Dokument enthaltenen Sicherheitsvorkehrungen verringern das Risiko von Tod, Körperverletzung und elektrischem Schlag, wenn sie ordnungsgemäß befolgt werden. Bewahren Sie das Handbuch zusammen mit der vollständigen Garantiekarte, dem Kaufbeleg und der Verpackung zum späteren Nachschlagen an einem sicheren Ort auf. Geben Sie diese Anweisungen gegebenenfalls an den nächsten Besitzer des Geräts weiter. Befolgen Sie immer die grundlegenden Sicherheits- und Unfallverhütungsmaßnahmen, wenn Sie ein Elektrogerät verwenden. Wir übernehmen keine Verantwortung für die Nichterfüllung dieser Anforderungen durch den Kunden.

SICHERHEITSHINWEISE

Grundlegende Sicherheitsvorkehrungen müssen beim Gebrauch von Elektrogeräten immer beachtet werden.

- Trennen Sie das Gerät immer vom Stromnetz, wenn Sie es unbeaufsichtigt lassen und bevor Sie es zusammenbauen, zerlegen oder reinigen.
- Dieses Gerät darf nicht von Kindern benutzt werden. Bewahren Sie das Gerät und das Kabel außerhalb der Reichweite von Kindern auf.
- Die Geräte können von Personen mit eingeschränkten körperlichen, sensorischen oder geistigen Fähigkeiten oder mangelnder Erfahrung und mangelndem Wissen verwendet werden, wenn ihnen Aufsicht oder Anweisungen zum sicheren Umgang mit dem Gerät erteilt wurden und sie die damit verbundenen Risiken verstehen.
- Kinder sollten nicht mit dem Gerät spielen.
- Schalten Sie das Gerät aus und trennen Sie es von der Stromversorgung, bevor Sie Zubehörteile wechseln oder sich bewegenden Teilen nähern.
- Dieses Gerät sollte zusammen mit dem Schneidwagen und der Lebensmittelhalterung verwendet werden, es sei denn, dies ist aufgrund der Größe oder Form der Lebensmittel nicht möglich.
- Wenn das Netzkabel beschädigt ist, muss es vom Hersteller oder seinem Servicemitarbeiter oder einer ähnlich qualifizierten Person ausgetauscht werden, um Risiken zu vermeiden.
- Verletzungsgefahr: Beim Umgang mit der Klinge ist Vorsicht geboten, insbesondere beim Entfernen der Klinge zum Reinigen.
- Stromschlaggefahr: Versuchen Sie nicht, das Gerät selbst zu reparieren. Im Falle einer Fehlfunktion sollten Reparaturen nur von qualifiziertem Personal durchgeführt werden.

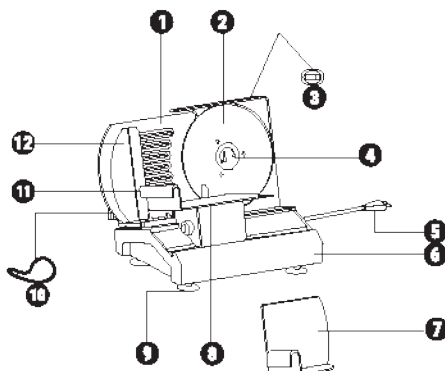
Warnung: Tauchen Sie die elektrischen Teile des Geräts während der Reinigung oder des Betriebs nicht in Wasser oder andere Flüssigkeiten. Stellen Sie das Gerät niemals unter fließendes Wasser.

- Lesen Sie diese Bedienungsanleitung sorgfältig durch, bevor Sie das Gerät verwenden, da sie wichtige Informationen zu Ihrer Sicherheit sowie Betriebs- und Wartungshinweise enthält.
- Beachten Sie alle Sicherheitshinweise, um Schäden durch unsachgemäßen Gebrauch zu vermeiden.
- Bewahren Sie diese Bedienungsanleitung für spätere Verwendung auf. Wenn dieses Gerät an Dritte weitergegeben wird, muss diese Bedienungsanleitung beigelegt werden.
- Für Schäden, die durch unsachgemäßen Gebrauch oder Verstoß gegen diese Anleitung entstehen, wird keine Haftung übernommen.
- Vergewissern Sie sich vor dem Anschließen des Geräts an die Stromversorgung, dass die Spannung und der Nennstrom der Stromversorgung mit den Angaben auf dem Typenschild des Geräts übereinstimmen.
- Verwenden Sie niemals ein beschädigtes Gerät. Ziehen Sie den Netzstecker aus der Steckdose und wenden Sie sich an Ihren Händler, wenn es beschädigt ist.
- Um eine Beschädigung des Kabels zu vermeiden, dürfen scharfe Kanten nicht angezogen, gebogen oder eingerissen werden. Halten Sie es von heißen Oberflächen und offenen Flammen fern. Lassen Sie das rotierende Messer nicht das Netzkabel berühren.

- Ziehen Sie das Kabel so heraus, dass es nicht unbeabsichtigt herausgezogen oder darüber gestolpert werden kann.
- Wenn ein Verlängerungskabel verwendet wird, muss dessen Kapazität der vom Gerät verbrauchten Energie entsprechen.
- Benutzen Sie das Gerät nicht mit nassen Händen oder auf nassen Oberflächen. Fassen Sie den Stecker nicht mit nassen Händen an.
- Öffnen Sie unter keinen Umständen das Gehäuse des Geräts. Führen Sie keine Fremdkörper in das Gehäuse ein.
- Verwenden Sie niemals anderes Zubehör als das vom Hersteller empfohlene. Sie können die Sicherheit des Benutzers gefährden und das Gerät beschädigen. Verwenden Sie nur Originalteile und -zubehör.
- Halten Sie das Gerät von heißen Oberflächen und offenen Flammen fern. Betreiben Sie das Gerät immer auf einer ebenen, stabilen, sauberen und trockenen Oberfläche. Schützen Sie das Gerät vor Hitze, Staub, direkter Sonneneinstrahlung, Feuchtigkeit, Tropf- und Spritzwasser.
- Stellen Sie keine schweren Gegenstände auf das Gerät. Stellen Sie keine Gegenstände mit offenem Feuer (z. B. Kerzen) auf oder neben das Gerät. Stellen Sie keine mit Wasser gefüllten Gegenstände wie Vasen auf oder in die Nähe des Geräts.
- Überprüfen Sie den Netzstecker und das Netzkabel regelmäßig auf Beschädigungen. Wenn das Netzkabel beschädigt ist, muss es vom Hersteller, seinem Kundendienst oder einer ähnlich qualifizierten Person ausgetauscht werden, um Risiken zu vermeiden.
- Ziehen Sie das Netzkabel nicht aus der Steckdose und wickeln Sie es nicht um das Gerät.
- Schließen Sie den Stecker an eine leicht zugängliche Steckdose an, damit das Gerät im Notfall sofort vom Stromnetz getrennt werden kann. Ziehen Sie den Stecker aus der Steckdose, um das Gerät vollständig auszuschalten. Verwenden Sie den Netzstecker als Trennvorrichtung.
- Wenn das Gerät überhitzt, stellen Sie den Betrieb ein und ziehen Sie den Netzstecker aus der Steckdose.
- Lassen Sie das Gerät während des Gebrauchs niemals unbeaufsichtigt.
- Trocknen Sie das Gerät und alle Zubehörteile, bevor Sie es an die Stromversorgung anschließen und bevor Sie das Zubehör anschließen.
- Schalten Sie das Gerät immer aus, bevor Sie den Netzstecker ziehen.
- Reinigen Sie das Gerät gründlich, bevor Sie es verwenden.
- Halten Sie während des Betriebs Hände, Haare, Kleidung und Utensilien vom Schneidmesser fern, um Verletzungen und Schäden am Gerät zu vermeiden.
- Das Gerät ist nur für den Kurzzeitbetrieb ausgelegt. Nach einer Betriebszeit von 7 Minuten mindestens 30 Minuten abkühlen lassen. Überlasten Sie das Gerät nicht.
- Halten Sie die Finger während des Gebrauchs von der Klinge fern. Es besteht Verletzungsgefahr.
- Lassen Sie die Klinge immer vollständig anhalten und ziehen Sie den Stecker ab, bevor Sie Teile reinigen oder entfernen.
- Verwenden Sie das Gerät niemals, bevor Sie es richtig mit der Klinge und dem Lebensmittelhalter zusammengesetzt haben.
- Dieses Gerät sollte mit verschobenem Futtertisch und Lebensmittelständer in Position verwendet werden, es sei denn, dies ist aufgrund der Größe oder Form der Lebensmittel nicht möglich.
- **WARNUNG:** Es besteht Verletzungsgefahr, wenn Sie das Gerät nicht richtig benutzen.

TEILLISTE

1. Schneidstopp
2. Klinge aus rostfreiem Stahl
3. Ein / Aus-Schalter
4. Blade-Controller
5. Netzkabel und Schalter
6. Aluminiumkörper
7. Essensständer und Handschutz
8. Drücker schneiden Auto
9. Belne mit Saugnapf
10. Cutter Dickenregler
11. Essensschieber
12. Anleitung zum Schneiden von Lebensmitteln



GEBRAUCHSANWEISUNG

- Dieses Gerät ist nur zum Schneiden von Lebensmitteln (Fleisch, Käse, Obst, Gemüse und Brot usw.) geeignet. Die zu schneidenden Lebensmittel müssen aufgetaut, ausgepackt und ohne Knochen sein, bevor sie mit dem Gerät geschnitten werden können. Nicht zum Schneiden von gefrorenen Lebensmitteln, Knochen oder für andere Zwecke verwenden.
- Dieses Gerät ist nur für den privaten Hausgebrauch geeignet und nicht für gewerbliche Zwecke bestimmt.
- Dieses Gerät ist nur zur Verwendung in trockenen Innenräumen vorgesehen. Verwenden Sie das Gerät nicht im Freien.
- Verwenden Sie das Gerät nur wie in dieser Anleitung beschrieben.
- Jede andere Verwendung kann zu Schäden am Gerät, an Sachen oder an Personen führen.
- Für Schäden, die durch unsachgemäße Verwendung oder Verletzung dieses Handbuchs entstehen, wird keine Haftung übernommen.
- Das Gerät ist nur für den Kurzzeitbetrieb ausgelegt. Nach einer Betriebszeit von 7 Minuten mindestens 30 Minuten abkühlen lassen. Überlasten Sie das Gerät nicht.

Vor dem ersten Gebrauch

- Packen Sie das Gerät vorsichtig aus, entfernen Sie sämtliches Verpackungsmaterial und bewahren Sie es zur späteren Verwendung auf.

Warnung: Verpackungsmaterialien sind kein Spielzeug. Kinder sollten nicht mit Verpackungsmaterial spielen, da Erstickungs- oder Erstickungsgefahr besteht.

- Überprüfen Sie, ob alle Teile in der Verpackung sind und ob Transportschäden vorliegen. Bei Beschädigung oder unvollständiger Lieferung wenden Sie sich an Ihren Händler.
- Reinigen Sie das Gerät.

Warnung: Stellen Sie keine Teile dieses Geräts in den Geschirrspüler.

- Verletzungsgefahr: Gehen Sie vorsichtig mit der Klinge um, da diese sehr scharf ist.
- Stellen Sie das Gerät auf eine trockene, flache und stabile Oberfläche.
- Üben Sie Druck nach unten auf das Gerät aus, damit die Saugnapfbelne gut greifen.

Wie man es benutzt

Stellen Sie vor dem Anschließen des Geräts Folgendes sicher:

- Der Stromkreis ist nicht mit anderen Geräten überlastet.
- Die Klinge ist richtig eingerastet und fest.
- Der Ein / Aus-Schalter ist auf 0 (Aus-Position).
- Der Dickenregler ist auf 0 gestellt.

Nicht in Scheiben schneiden:

- Kaum Tiefkühlkost
- Fleisch mit Knochen
- Lebensmittel, die große Steine oder Samen enthalten.
- Lebensmittel in Verpackungen wie Aluminiumfolie oder Kunststoff

Vorbereitung:

- Ziehen Sie die Lebensmittelschneidföhrung so weit wie möglich zurück.
- Legen Sie die zu schneidenden Lebensmittel in den Schneidwagen. Setzen Sie dann den Lebensmittelhalter auf den Griff der Föhrung und stellen Sie ihn ein, bis Sie das Lebensmittel fest in Position halten.
- Stellen Sie eine Auffangschale (nicht im Lieferumfang enthalten) hinter die Klinge, um die Schelben aufzunehmen.
- Drehen Sie den Schnittstärkenregler auf die gewünschte Größe (1 - 22 mm).

Start:

- Schließen Sie den Stecker an eine geeignete Steckdose an.
- Stellen Sie den Ein- / Ausschalter auf I (Ein), um das Gerät einzuschalten. Die Klinge beginnt zu arbeiten.
- Halten Sie den Lebensmittelhalter mit der rechten Hand, während Sie Ihren Daumen hinter dem Schild schützen. Wenden Sie einen gleichmäßigen Druck an, um optimale Schmittergebnisse zu erzielen.
- Schieben Sie die Lebensmittelschneidföhrung zur Klinge. Bewegen Sie es gleichmäßig mit gleichmäßigem Druck hin und her. Wiederholen Sie dies für weitere Schelben.

- Stellen Sie nach dem Gebrauch den Ein- / Ausschalter auf 0 (Aus-Position) und den Schnittdickenregler auf 0.
- Lassen Sie die Klinge vollständig anhalten und ziehen Sie anschließend den Netzstecker aus der Steckdose.
- Lassen Sie den Ein / Aus-Schalter los und er kehrt automatisch in die 0-Position zurück.

Warnung:

- Verwenden Sie dieses Gerät nicht ohne die Lebensmittelführung und stellen Sie sich in Position.
- Verwenden Sie das Gerät nicht länger als 7 Minuten ununterbrochen. Lassen Sie das Gerät 30 Minuten abkühlen, bevor Sie es neu starten.

TIPPS UND TRICKS

- Schneiden Sie nichts, das Knochen, große Samen oder andere extrem harte Materialien enthält.
- Entfernen Sie vor dem Schneiden sämtliches Verpackungsmaterial von Lebensmitteln.
- Entfernen Sie vor dem Schneiden die dicke Kruste von den Lebensmitteln.
- Zum Schneiden von sehr dünnem Fleisch oder Fisch vor dem Schneiden abkühlen lassen.
- Mit dem Hobel können Sie schnell Gurken, Kartoffeln, Zucchini und Zwiebeln schneiden.

Warme Braten: Kalbfleisch, Schweinefleisch, Lamm, Puta, Schinken

- Nehmen Sie die Braten ohne Knochen aus dem Ofen und lassen Sie sie vor dem Schneiden 15 oder 20 Minuten abkühlen. Das Fleisch behält seine natürlichen Säfte und wird geschnitten, ohne auseinanderzufallen.
- Schneiden Sie den Braten bei Bedarf passend zur Plattform ab.
- Legen Sie Aluminiumfolie unter den Plattformtisch, um die Säfte und Krümel für eine einfache Reinigung zu sammeln.
- Entfernen Sie bei geröstetem oder gebundenem Braten die Selle nacheinander, wenn sich die Selle der Klinge nähern (stellen Sie sicher, dass das Gerät ausgeschaltet ist).

Käse

- Schneiden Sie es, solange es sehr kalt ist.
- Lassen Sie den Käse vor dem Servieren Raumtemperatur erreichen. Dies verbessert den natürlichen Geschmack.
- Einige Schmelzkäse können an der Klinge haften. Schalten Sie gegebenenfalls das Gerät aus und ziehen Sie den Stecker. Reinigen Sie die Klinge mit einem feuchten Tuch. Diese Feuchtigkeit verhindert das Anhaften der Klinge.

Dicker Speck

- Vor dem Schneiden gut abkühlen lassen. Einige Arten von geräuchertem Speck sollten aus der Kruste entfernt werden.

Mittagessen und Sandwiches

- Aufschnittscheiben bleiben länger und behalten den Geschmack länger, wenn sie bei Bedarf geschnitten werden.
- Für beste Ergebnisse kühlen Sie es zuerst ab.
- Entfernen Sie Hartplastik oder Hartschalen vor dem Schneiden.
- Wenden Sie einen konstanten und leichten Druck an, um gleichmäßige Schnitte zu erzielen.

Obst und Gemüse

- Schneiden Sie die Kartoffeln in Schelben, um dicke oder dünne Schnitte zu erhalten.
- Die Möhren der Länge nach in sehr dünne Streifen schneiden. Zum Einrollen in Eiswasser einweichen.
- Zucchini, Auberginen und Kürbisse in Scheiben schneiden.

Brot und Kekse

- Es funktioniert mit grob strukturiertem Brot und Kuchen.

REINIGUNG UND PFLEGE

- Reinigen Sie die mit Lebensmitteln in Berührung kommenden Oberflächen.
- Schalten Sie das Gerät vor dem Reinigen immer aus, lassen Sie es vollständig anhalten und stellen Sie den Dickenregler auf 0.
- Ziehen Sie den Stecker aus der Steckdose.
- Reinigen Sie das Gerät nach jedem Gebrauch. Dieses Gerät enthält keine vom Benutzer zu wartenden Teile und ist wartungsarm. Überlassen Sie jegliche Wartung oder Reparatur nur qualifiziertem Personal.
- Stellen Sie keine Geräteteile in den Geschirrspüler.
- Verwenden Sie zum Reinigen dieser Teile niemals ätzende Reinigungsmittel, Drahtbürsten, Scheuermittel, Metall oder scharfe Gegenstände.
- Reinigen Sie das Gerätegehäuse mit einem weichen, feuchten Tuch.
- Nahrungsunterstützung: Einige Minuten in warmes Seifenwasser eintauchen. Spülen und vollständig trocknen.
- Der Schneldschieberwagen, der Speisenträger und der Protektor: Mit einem weichen, mit etwas Reinigungsmittel angefeuchteten Tuch reinigen. Mit einem sauberen Tuch abwischen und vollständig trocknen. Tauchen Sie das Gerät nicht in Wasser oder andere Flüssigkeiten.

Entfernen Sie die Klinge:

- Die Klinge ist sehr scharf, fahren Sie vorsichtig.
- Ziehen Sie die Lebensmittelführung so weit wie möglich zurück.
- Drehen Sie den Blade-Controller im Uhrzeigersinn, um das Blade zu entsperren. Dann entfernen Sie die Klinge.
- Einige Minuten in warmes Wasser und milde Seife eintauchen. Spülen und vollständig trocknen.

Setzen Sie die Klinge ein:

- Die Klinge ist sehr scharf, fahren Sie vorsichtig.
- Drehen Sie den Blade-Controller gegen den Uhrzeigersinn, um das Blade zu arretieren.

Lagerung

- Bewahren Sie das Gerät an einem kühlen, trockenen und sauberen Ort außerhalb der Reichweite von Kindern und Haustieren auf.
- Bewahren Sie die Verpackung auf, um das Gerät zu transportieren oder zu lagern, wenn Sie es längere Zeit nicht benutzen.

TECHNISCHE DATEN

DE	Eigenschaften
Potenz	200W
Spannung	220-240V
Geschwindigkeit der Scheiben	70/95 U / min
Sicherheitssysteme	Ein / Aus + Handschutz
Abmessungen	380 x 250 x 280 mm
Gewicht	3,40 kg



Gemäß den Europäischen Verordnungen 2012/19/EU und 2015/863/EU hinsichtlich der Vermeidung von Gefahrstoffen in elektrischen Geräten sowie der Entsorgung von Abfällen. Das durchgestrichene Container-Symbol auf der Verpackung gibt an, dass das Produkt am Ende seiner Nutzungsdauer vom Hausmüll getrennt zu entsorgen ist. Daher muss der Benutzer das Gerät nach Beendigung der Benutzung an einer geeigneten Sammelstelle für elektrische und elektronische Abfälle abgeben oder es an den Hersteller, bei dem es erworben wurde, bei einem Kauf eines neuen, ähnlichen Geräts oder bei einem Tausch zurückgeben. Die sachgemäße differenzierte Entsorgung des aus dem Verkauf gezogenen Geräts für die nachfolgenden umweltgerechten Prozesse zum Recycling, zur Verarbeitung und Entsorgung trägt dazu bei, mögliche negative Folgen für die Umwelt und die Gesundheit zu vermeiden und fördert das Recycling der Materialien, aus denen das Gerät besteht. Die unsachgemäße Entsorgung des Produkts durch den Benutzer kann die Anwendung der gesetzlich vorgeschriebenen Strafen nach sich ziehen.



Made In P.R.C.