



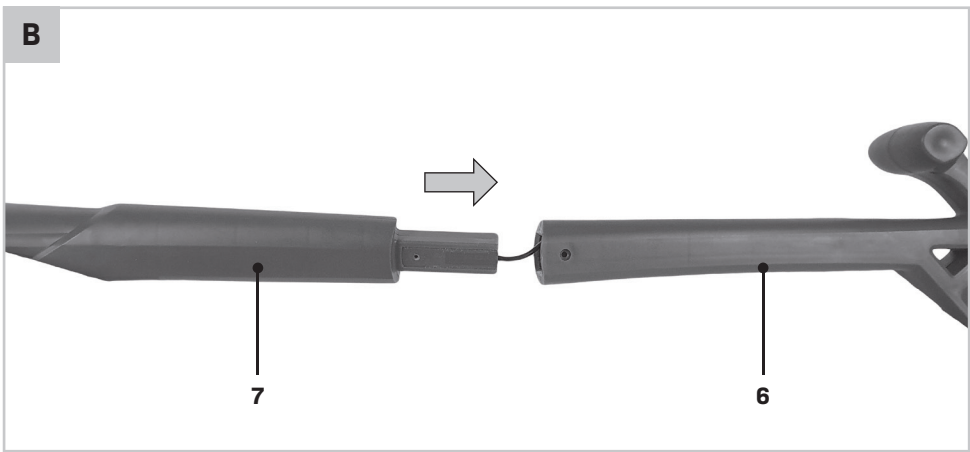
**VONROC®**

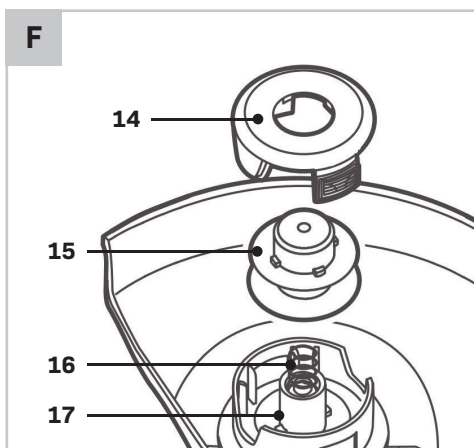
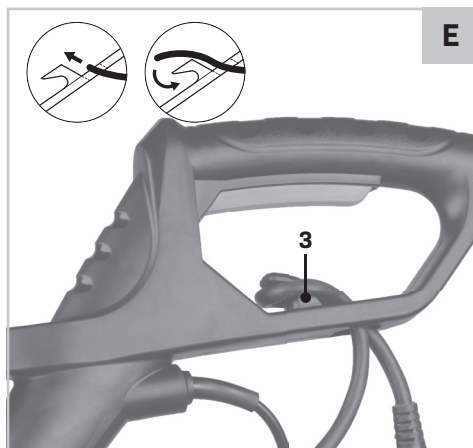
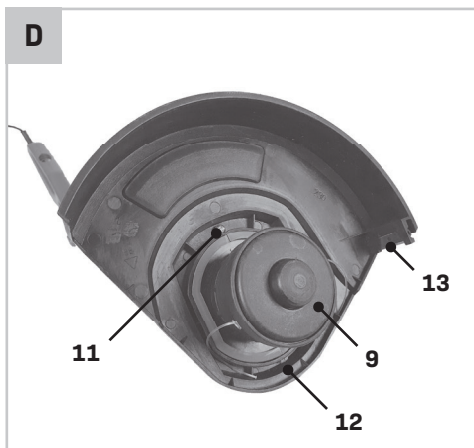
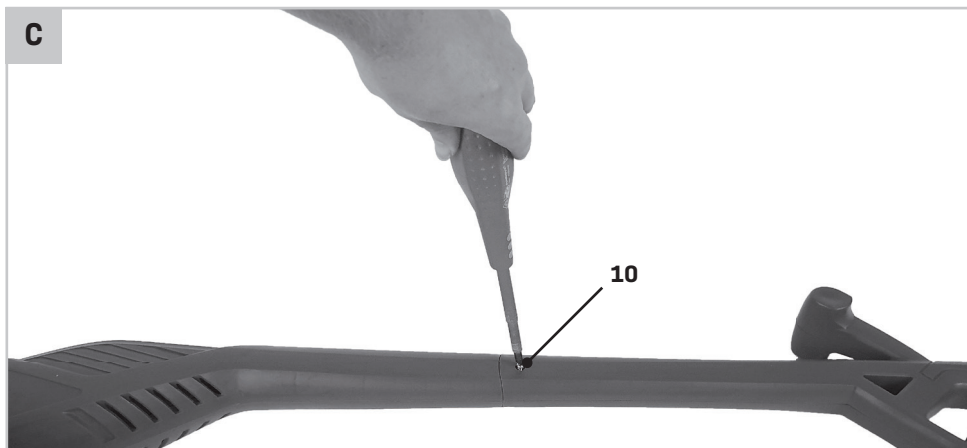
BUILD YOUR FUTURE

## GRASS TRIMMER GT502AC



<b>EN</b>	Original Instructions	04
<b>DE</b>	Übersetzung Der Originalbetriebsanleitung	10
<b>NL</b>	Vertaling van de oorspronkelijke gebruiksaanwijzing	17
<b>FR</b>	Traduction de la notice originale	24
<b>ES</b>	Traducción del manual original	31
<b>IT</b>	Traduzione delle istruzioni originali	37
<b>SV</b>	Översättning av bruksanvisning i original	44
<b>DA</b>	Oversættelse af den originale brugsanvisning	50
<b>PL</b>	Tłumaczenie instrukcji oryginalnej	56
<b>RO</b>	Traducere a instrucțiunilor originale	63





## 1. SAFETY INSTRUCTIONS

Read the enclosed safety warnings, the additional safety warnings and the instructions. Failure to follow the safety warnings and the instructions may result in electric shock, fire and/or serious injury. Save the safety warnings and the instructions for future reference.

This appliance can be used by children aged from 8 years and above and persons with reduced physical, sensory or mental capabilities or lack of experience and knowledge if they have been given supervision or instruction concerning use of the appliance in a safe way and understand the hazards involved. Children shall not play with the appliance. Cleaning and user maintenance shall not be made by children without supervision.

The following symbols are used in the user manual or on the product:



Read the user manual.



Denotes risk of personal injury, loss of life or damage to the tool in case of non-observance of the instructions in this manual.



Make sure that bystanders are not injured by foreign objects being thrown away.



Warning: Keep a safe distance to the product when operating.



Switch off and remove plug from mains before adjusting, cleaning or if the cable is entangled and before leaving the garden product unattended for any period. Keep the supply flexible cord away from the cutting line.



Make sure that bystanders are not injured by foreign objects being hurled away. Warning: Keep a safe distance from the machine when operating.



Risk of electric shock.



Wear hearing protection.



Wear eye protection.



Wear protection gloves.



Wear protection boots.



Do not expose to rain.



Carefully check the area where the tool is to be used for wildlife and pets. Wildlife and pets may be injured while the machine is in operation. Thoroughly check the working area and remove any stones, sticks, wires, bones and foreign objects. When using the machine, ensure that no wildlife, pets or small tree stumps are hidden in the dense grass.



Class II machine - Double insulation - You don't need any earthed plug.



The product is in accordance with the applicable safety standards in the European directives.



The guaranteed sound power level  
LWA = 96 dB(A)

### GENERAL POWER TOOL SAFETY WARNINGS



**WARNING! Read all safety warnings and all instructions.** Failure to follow the warnings and instructions may result in electric shock, fire and/or serious injury.

#### Save all warnings and instructions for future reference.

The term "power tool" in the warnings refers to your mains-operated (corded) power tool or battery-operated (cordless) power tool.

#### 1) Work area safety

- a) **Keep the work area clean and well lit.** Cluttered or dark areas invite accidents.
- b) **Do not operate power tools in explosive atmospheres, such as in the presence of flammable liquids, gases or dust.** Power tools create sparks which may ignite the dust or fumes.
- c) **Keep children and bystanders away while operating a power tool.** Distractions can cause you to lose control.

## 2) Electrical safety

- a) **Power tool plugs must match the outlet. Never modify the plug in any way. Do not use any adapter plugs with earthed (grounded) power tools.** Unmodified plugs and matching outlets will reduce risk of electric shock.
- b) **Avoid body contact with earthed or grounded surfaces, such as pipes, radiators, ranges and refrigerators.** There is an increased risk of electric shock if your body is earthed or grounded.
- c) **Do not expose power tools to rain or wet conditions.** Water entering a power tool will increase the risk of electric shock.
- d) **Do not abuse the cord. Never use the cord for carrying, pulling or unplugging the power tool. Keep cord away from heat, oil, sharp edges or moving parts.** Damaged or entangled cords increase the risk of electric shock.
- e) **When operating a power tool outdoors, use an extension cord suitable for outdoor use.** Use of a cord suitable for outdoor use reduces the risk of electric shock.
- f) **If operating a power tool in a damp location is unavoidable, use a residual current device (RCD) protected supply.** Use of an RCD reduces the risk of electric shock.

## 3) Personal safety

- a) **Stay alert, watch what you are doing and use common sense when operating a power tool. Do not use a power tool while you are tired or under the influence of drugs, alcohol or medication.** A moment of inattention while operating power tools may result in serious personal injury.
- b) **Use personal protective equipment. Always wear eye protection.** Protective equipment such as dust mask, non-skid safety shoes, hard hat, or hearing protection used for appropriate conditions will reduce personal injuries.
- c) **Prevent unintentional starting. Ensure the switch is in the off-position before connecting to power source and/or battery pack, picking up or carrying the tool.** Carrying power tools with your finger on the switch or energising power tools that have the switch on invites accidents.
- d) **Remove any adjusting key or wrench before turning the power tool on.** A wrench or a key left attached to a rotating part of the power tool may result in personal injury.
- e) **Do not overreach. Keep proper footing and balance at all times.** This enables better control

of the power tool in unexpected situations.

- f) **Dress properly. Do not wear loose clothing or jewellery. Keep your hair, clothing and gloves away from moving parts.** Loose clothes, jewellery or long hair can be caught in moving parts.
  - g) **If devices are provided for the connection of dust extraction and collection facilities, ensure these are connected and properly used.** Use of dust collection can reduce dust related hazards.
  - h) **Do not let familiarity gained from frequent use of tools allow you to become complacent and ignore tool safety principles.** A careless action can cause severe injury within a fraction of a second.
- ## 4) Power tool use and care
- a) **Do not force the power tool. Use the correct power tool for your application.** The correct power tool will do the job better and safer at the rate for which it was designed.
  - b) **Do not use the power tool if the switch does not turn it on and off.** Any power tool that cannot be controlled with the switch is dangerous and must be repaired.
  - c) **Disconnect the plug from the power source and/or the battery pack from the power tool before making any adjustments, changing accessories, or storing power tools.** Such preventive safety measures reduce the risk of starting the power tool accidentally.
  - d) **Store idle power tools out of the reach of children and do not allow persons unfamiliar with the power tool or these instructions to operate the power tool.** Power tools are dangerous in the hands of untrained users.
  - e) **Maintain power tools. Check for misalignment or binding of moving parts, breakage of parts and any other condition that may affect the power tool's operation. If damaged, have the power tool repaired before use.** Many accidents are caused by poorly maintained power tools.
  - f) **Keep cutting tools sharp and clean.** Properly maintained cutting tools with sharp cutting edges are less likely to bind and are easier to control.
  - g) **Use the power tool, accessories and tool bits etc. in accordance with these instructions, taking into account the working conditions and the work to be performed.** Use of the power tool for operations different from those intended could result in a hazardous situation.
  - h) **Keep handles and grasping surfaces dry, clean and free from oil and grease.** Slippery handles

and grasping surfaces do not allow for safe handling and control of the tool in unexpected situations.

### 5) Service

- a) **Have your power tool serviced by a qualified repair person using only identical replacement parts.** This will ensure that the safety of the power tool is maintained.

### ADDITIONAL SAFETY INSTRUCTION GRASS TRIMMER

- Keep the area you are working in clean and tidy.
- Avoid operating the trimmer in rain or wet environments especially when there is a risk of lightning.
- Work only in daylight or in good artificial light.
- Do not use power tools where there is a risk of fire or explosion - i.e. near flammable liquids or gases. Power tools create sparks, which may ignite the dust or fumes.
- Never operate the product when you are tired, ill or under the influence of alcohol, drugs or medicine.
- Always wear long heavy trousers, boots and gloves. Do not wear loose clothing, jewellery, short trousers, sandals and never work barefoot.
- Wear safety eye protection and ear defenders when operating the machine.
- Keep firm footing and balance. Do not overreach.
- Never allow children or people unfamiliar with these instructions to use the trimmer. Local regulations may restrict the age of the operator. When not in use, store the trimmer out of reach of children.
- Never work with this trimmer while people, especially children or pets are nearby.
- Do not put hands or feet near the cutting system.
- Never fit metal cutting elements to this trimmer.
- Inspect and maintain the trimmer regularly.
- Never operate the trimmer with missing or broken guards or shields or without guards or shields in position.
- Before using the machine and after impact, check for signs of wear or damage and repair if necessary
- Wait until the spool line has completely stopped before touching it. The spool line continues to rotate after the trimmer is switched off; a rotating wire can cause injury.
- Operating the trimmer in wet grass decreases the efficiency of performance.
- Switch off when transporting the trimmer to and from the area to be worked on.
- Switch on the motor only when the hands and feet are away from the cutting means.
- Have the trimmer repaired only by an authorized customer service agent.
- Always ensure that the ventilation slots are kept clear of debris
- Store the machine in a secure, dry place out of the reach of children. Do not place other objects on top of the machine.
- Do not operate the machine without the wire attachment fitted
- Do not force the appliance - let it work at the rate for which it was intended.
- We strongly recommend the use of an RCD (Residual Current Device) of not more than 30 mA, at the plug socket when using this appliance.
- Do not allow the power cord to lay on or across sharp objects that might pierce the outer insulation. Carry out a visual inspection of the power cord before use and if it is damaged, have it replaced by a specialist service centre. Do not use the appliance if the cord is damaged.
- If the cord becomes damaged during use, disconnect the cord from the power supply immediately. **DO NOT TOUCH THE CORD BEFORE DISCONNECTING THE SUPPLY.** Do not use the appliance if the appliance cord or the extension cord are damaged.
- Keep extension cord away from cutting elements.
- Always ensure the guards are fitted when using the tool.
- Check the cable for damage before starting work and replace if necessary.
- Inspect and maintain the trimmer regularly. Have the trimmer repaired only by an authorised repairer.
- Remove the plug from the power socket before attempting any maintenance.



*Danger! When Switching off the machine, wait for the machine and its spool to come to a complete standstill before putting the machine down.*

- Always disconnect the trimmer from the mains when leaving the trimmer unattended.
- After extending new cutter line or replacing the spool line. Always return the trimmer to its normal operating position before switching on.
- Periodically inspect the condition of the cutting head. If the spool is damaged, switch off, remove the plug from the power point and replace the spool.
- Do not use the machine to cut grass, which is not on the ground. For example, do not cut grass, which is on walls or rocks.
- Do not cross roads or gravel paths with machine still running.
- Only use the machine according to the instructions given in this manual.
- Do not extend the trimming line beyond the guard and do not operate the trimmer without both lines extended and proper line installed.
- Check regularly that the nuts, bolts and screws are tight.

**Electrical safety**



Always check that the voltage of the power supply corresponds to the voltage on the rating plate.

type X: If the supply cord is damaged, it must be replaced by a special cord or assembly available from the manufacturer or its service agent.

type Y: If the supply cord is damaged, it must be replaced by the manufacturer, its service agent or similarly qualified persons in order to avoid a hazard.

- Do not use the machine if the mains cable or the mains plug is damaged.
- Only use extension cables that are suitable for the power rating of the machine with a minimum thickness of 1.5 mm<sup>2</sup>. If you use an extension cable reel, always fully unroll the cable.

**2. MACHINE INFORMATION**

**Intended use**

This grass trimmer is intended for outdoor use, to trim and to cut grass and lawns in private and hobby gardens. The product is designed cutting grass, light weeds and other similar vegetation at or about ground level. The trimmer should not be used to cut

or trim hedges, bushes or other vegetation where the cutting plane is not at or about ground surface level. Do not use the trimmer to shred or to make compost. Do not use this machine in the rain.

**TECHNICAL SPECIFICATIONS**

<b>Model no.</b>	<b>GT502AC</b>
Voltage	230V
Frequency	50Hz
No load speed	11.500/min
Cutting diameter	230 mm
Cutting system	2 line wire spool, Tap and go Ø1.2mm x 4m
Weight	1,26 kg
Sound pressure level L <sub>PA</sub>	80 dB(A) K=3 dB(A)
Sound power level L <sub>WA</sub>	89.4 dB(A) K=1.96 dB(A)
Vibration value	≤2,5 m/s <sup>2</sup> K=1.1 m/s <sup>2</sup>

*Guaranteed value according to the noise directive: LwA 96db(A)*

**Vibration level**

The vibration emission level stated in this instruction manual has been measured in accordance with a standardized test given in EN 60335-1 and EN 50636-2-91; it may be used to compare one tool with another and as a preliminary assessment of exposure to vibration when using the tool for the applications mentioned.

- Using the tool for different applications, or with different or poorly maintained accessories, may significantly increase the exposure level.
- The times when the tool is switched off or when it is running but not actually doing the job, may significantly reduce the exposure level.

Protect yourself against the effects of vibration by maintaining the tool and its accessories, keeping your hands warm, and organizing your work patterns.

**DESCRIPTION**

The numbers in the text refer to the diagrams on pages 2-5.

1. Handle
2. On/off switch
3. Cable hook
4. Front handle

5. Power cable
6. Upper housing
7. Lower housing
8. Protection guard
9. Spool assembly
10. Housing screw
11. Protection guard screw
12. Notch
13. Blade
14. Spool cover
15. Wire spool
16. Spring
17. Spool holder

### 3. ASSEMBLY



*Cut injury when the unit starts accidentally. Before you assemble the unit, make sure that the mains cable is disconnected.*

#### Assembling the housing (Fig. A, B, C)

1. Insert the lower housing (7) into the upper housing (6), as shown on figure B. Ensure that the cable is not stretched or caught when you do this.
2. Secure both housing parts using the housing screws (10), as shown on figure C. Use a screw on both sides of the housing.

#### Mounting the protection guard (Fig. A, D)

1. Put the protection guard (8) onto the lower housing (7) by first putting the guard into the notch (12) and afterwards pulling the guard upwards.
2. Now secure the protection guard using the protection guard screw (11). A correctly assembled protection guard is shown on figure D.

#### Replacing the wire spool (Fig. F1)



*Before replacing the spool clean the machine from any dirt.*

- Remove the spool cover (14) by pressing the two buttons on each side of the spool cover.
- Take out the spool reel (15) but leave the spring (16) inside.
- Take the new spool reel (GT802AA) and place it over the spring (16). Make sure the wires are passed through the holes inside the spool holder (17).
- Cover the new spool reel with the spool cover (14) and make sure the buttons of the spool cover (14) align properly with the holes inside the spool holder (17).

## 4. OPERATION

#### Using the tap and go system (Fig. A, D)

To enable the tap and go system, the plastic cover in front of the blade (13) in the protection guard (8) must be removed.



*Do not touch the blade (13) in the protection guard (8) to prevent injury.*

- When the wire is too short, switch the machine on and press the tip of the spool reel (15) on the ground (make sure this is done on a hard surface).
- This will release the wire in order to get longer.
- The wire will be cut on the correct length automatically by the blade (13) mounted in the protection guard (8).

#### Using the cord grip (fig. A, E)

To help secure the plug to the extension cord, make a loop in the extension cord and attach it to the cable hook as shown (see Fig. E). Once secure, attach the cord to the plug. This will prevent accidental 'pull-out'.

#### Using the trimmer



*Before use, always visually inspect the machine and its parts are correctly mounted, not worn out or damaged.*

Hold the unit by the top part of the handle (1) and the front handle (4) so that the trimmer head is tilted a small distance forward. Make sure, the filament does not touch hard objects such as walls, stones and fences to prevent the filament from welding together or breaking.

#### Switching On and Off (fig. A)

- To switch the trimmer on, press the on/off switch (2).
- To switch off, simply release the on/off switch (2).



## 5. MAINTENANCE



*Make sure that the machine is not live when carrying out maintenance work on the motor.*

The machines have been designed to operate over a long period of time with a minimum of maintenance. Continuous satisfactory operation depends upon proper machine care and regular cleaning.

- Turn off the power and pull out the plug before you clean and store the machine.
- The machine requires no additional lubrication.
- Clean the housing and other parts with a mild cleanser and moist cloth.
- Never use aggressive cleansers or solvents.
- Prevent water from getting into the machine.
- Do not leave the trimmer resting on the floor for extended periods as it could cause the shape of the guard to alternate, posing a safety risk. Hang it off the floor by the top handgrip

### Cleaning

Regularly clean the machine housing with a soft cloth, preferably after each use. Keep the ventilation slots free from dust and dirt. If the dirt does not come off use a soft cloth moistened with soapy water. Never use solvents such as petrol, alcohol, ammonia water, etc. These solvents may damage the plastic parts.

## ENVIRONMENT



*Faulty and/or discarded electrical or electronic apparatus have to be collected at the appropriate recycling locations.*

### Only for EC countries

Do not dispose of power tools into domestic waste. According to the European Guideline 2012/19/EC for Waste Electrical and Electronic Equipment and its implementation into national right, power tools that are no longer usable must be collected separately and disposed of in an environmentally friendly way.

## WARRANTY

VONROC products are developed to the highest quality standards and are guaranteed free of defects in both materials and workmanship for the period lawfully stipulated starting from the date of original purchase. Should the product develop any failure during this period due to defective material and/or workmanship then contact VONROC directly.

The following circumstances are excluded from this guarantee:

- Repairs and or alterations have been made or attempted to the machine by unauthorized service centers;
- Normal wear and tear;
- The tool has been abused, misused or improperly maintained;
- Non-original spare parts have been used.

This constitutes the sole warranty made by company either expressed or implied. There are no other warranties expressed or implied which extend beyond the face hereof, herein, including the implied warranties of merchantability and fitness for a particular purpose. In no event shall VONROC be liable for any incidental or consequential damages. The dealers remedies shall be limited to repair or replacement of nonconforming units or parts.

**The product and the user manual are subject to change. Specifications can be changed without further notice.**

## 1. SICHERHEITSANWEISUNGEN

Lesen Sie die beiliegenden Sicherheitsanweisungen, die zusätzlichen Sicherheitsanweisungen sowie diese Bedienungsanleitung sorgfältig durch. Bei Nichtbeachten der Sicherheitsanweisungen und der Bedienungsanleitung kann es zu einem Stromschlag, einem Brand und/oder schweren Verletzungen kommen. Bewahren Sie die Sicherheitsanweisungen und die Bedienungsanleitung zur künftigen Bezugnahme sicher auf.

Dieses gerat kann von kindern ab 8 jahren und daruber sowie von personen mit verringerten physischen, sensorischen oder mentalen fahigkeiten oder mangel an erfahrung und wissen benutzt werden, wenn sie beaufsichtigt oder bezuglich des sicheren gebrauches des gerates unterwiesen wurden und die daraus resultierenden gefahren verstehen. Kinder durfen nicht mit dem gerat spielen. Reinigung und benutzer-wartung durfen nicht von kindern ohne beaufsichtigung durchgefuhrt werden.

Folgende Symbole werden im Benutzerhandbuch oder auf dem Produkt verwendet:



Lesen Sie das Benutzerhandbuch.



Bedeutet, dass bei Nichtbeachtung der Anweisungen in dieser Anleitung Verletzungen, Tod oder Beschädigung des Werkzeugs die Folge sein können.



Stellen Sie sicher, dass Unbeteiligte nicht durch umhergeschleuderte Fremdkörper verletzt werden.



Warnung: Halten Sie beim Betrieb einen Sicherheitsabstand zu dem Produkt ein.



Schalten Sie das Gerät aus und ziehen Sie den Stecker aus der Steckdose, bevor Sie es einstellen, reinigen oder wenn sich das Kabel verheddert hat und bevor Sie das Gartengerät für längere Zeit unbeaufsichtigt lassen. Halten Sie das flexible Stromkabel von der Schneidlinie fern.



Stellen Sie sicher, dass Unbeteiligte nicht durch umhergeschleuderte Fremdkörper verletzt werden. Warnung: Halten Sie beim Betrieb einen Sicherheitsabstand zu der Maschine ein.



Stromschlagrisiko.



Gehörschutz tragen.



Schutzbrille tragen!



Tragen Sie Schutzhandschuhe.



Schutzgamaschen tragen.



Nicht Regen aussetzen.



Überprüfen Sie den Bereich, in dem das Gerät eingesetzt werden soll, sorgfältig auf Wildtiere und Haustiere. Wildtiere und Haustiere können durch den Betrieb des Geräts verletzt werden. Überprüfen Sie den Arbeitsbereich gründlich und entfernen Sie sämtliche Steine, Stöcke, Drähte, Knochen und anderen Fremdkörper. Achten Sie beim Einsatz des Geräts darauf, dass keine Wildtiere, Haustiere oder kleine Baumstümpfe im dichten Gras versteckt sind.



Werkzeug/Gerat der Schutzklasse II - Schutzisoliert - kein Schutzkontaktanschluss erforderlich.



Das Produkt entspricht den geltenden Sicherheitsstandards in den europäischen Richtlinien.



Garantierter Schalleistungspegel  
LWA = 96 dB(A)

### ALLGEMEINE SICHERHEITSHINWEISE



**WARNUNG! Lesen Sie alle Sicherheitshinweise, Anweisungen, Bildierungen und technischen Daten, mit denen dieses Elektrowerkzeug versehen ist.** Versäumnisse bei der Einhaltung der nachfolgenden Anweisungen können elektrischen Schlag, Brand und/oder schwere Verletzungen verursachen.

## Bewahren Sie alle Sicherheitshinweise und Anweisungen für die Zukunft auf.

Der in den Sicherheitshinweisen verwendete Begriff „Elektrowerkzeug“ bezieht sich auf netzbetriebene Elektrowerkzeuge (mit Netzleitung) oder auf akku-betriebene Elektrowerkzeuge (ohne Netzleitung).

### 1) Arbeitsplatzsicherheit

- a) **Halten Sie Ihren Arbeitsbereich sauber und gut beleuchtet.** Unordnung oder unbeleuchtete Arbeitsbereiche können zu Unfällen führen.
- b) **Arbeiten Sie mit dem Elektrowerkzeug nicht in explosionsgefährdeter Umgebung, in der sich brennbare Flüssigkeiten, Gase oder Stäube befinden.** Elektrowerkzeuge erzeugen Funken, die den Staub oder die Dämpfe entzünden können.
- c) **Halten Sie Kinder und andere Personen während der Benutzung des Elektrowerkzeugs fern.** Bei Ablenkung können Sie die Kontrolle über das Elektrowerkzeug verlieren.

### 2) Elektrische Sicherheit

- a) **Der Anschlussstecker des Elektrowerkzeugs muss in die Steckdose passen. Der Stecker darf in keiner Weise verändert werden. Verwenden Sie keine Adapterstecker gemeinsam mit Schutzgeerdeten Elektrowerkzeugen.** Unveränderte Stecker und passende Steckdosen verringern das Risiko eines elektrischen Schlages.
- b) **Vermeiden Sie Körperkontakt mit geerdeten Oberflächen wie von Rohren, Heizungen, Herden und Kühlschränken.** Es besteht ein erhöhtes Risiko durch elektrischen Schlag, wenn Ihr Körper geerdet ist.
- c) **Halten Sie Elektrowerkzeuge von Regen oder Nässe fern.** Das Eindringen von Wasser in ein Elektrowerkzeug erhöht das Risiko eines elektrischen Schlages.
- d) **Zweckfremden Sie die Anschlussleitung nicht, um das Elektrowerkzeug zu tragen, aufzuhängen oder um den Stecker aus der Steckdose zu ziehen. Halten Sie die Anschlussleitung fern von Hitze, Öl, scharfen Kanten oder sich bewegendenden Teilen.** Beschädigte oder verwickelte Anschlussleitungen erhöhen das Risiko eines elektrischen Schlages.
- e) **Wenn Sie mit einem Elektrowerkzeug im Freien arbeiten, verwenden Sie nur Verlängerungsleitungen, die auch für den Außenbereich geeignet sind.** Die Anwendung einer für den Außenbereich geeigneten Verlängerungsleitung verringert das

Risiko eines elektrischen Schlages.

- f) **Wenn der Betrieb des Elektrowerkzeugs in feuchter Umgebung nicht vermeidbar ist, verwenden Sie einen Fehlerstromschutzschalter.** Der Einsatz eines Fehlerstromschutzschalters vermindert das Risiko eines elektrischen Schlages.

### 3) Sicherheit von Personen

- a) **Seien Sie aufmerksam, achten Sie darauf, was Sie tun, und gehen Sie mit Vernunft an die Arbeit mit einem Elektrowerkzeug. Benutzen Sie kein Elektrowerkzeug, wenn Sie müde sind oder unter dem Einfluss von Drogen, Alkohol oder Medikamenten stehen.** Ein Moment der Unachtsamkeit beim Gebrauch des Elektrowerkzeugs kann zu ernsthaften Verletzungen führen.
- b) **Tragen Sie persönliche Schutzausrüstung und immer eine Schutzbrille.** Das Tragen persönlicher Schutzausrüstung, wie Staubmaske, rutschfeste Sicherheitsschuhe, Schutzhelm oder Gehörschutz, je nach Art und Einsatz des Elektrowerkzeugs, verringert das Risiko von Verletzungen.
- c) **Vermeiden Sie eine unbeabsichtigte Inbetriebnahme. Vergewissern Sie sich, dass das Elektrowerkzeug ausgeschaltet ist, bevor Sie es an die Stromversorgung und/oder den Akku anschließen, es aufnehmen oder tragen.** Wenn Sie beim Tragen des Elektrowerkzeugs den Finger am Schalter haben oder das Elektrowerkzeug eingeschaltet an die Stromversorgung anschließen, kann dies zu Unfällen führen.
- d) **Entfernen Sie Einstellwerkzeuge oder Schraubenschlüssel, bevor Sie das Elektrowerkzeug einschalten.** Ein Werkzeug oder Schlüssel, der sich in einem drehenden Teil des Elektrowerkzeugs befindet, kann zu Verletzungen führen.
- e) **Vermeiden Sie eine abnormale Körperhaltung. Sorgen Sie für einen sicheren Stand und halten Sie jederzeit das Gleichgewicht.** Dadurch können Sie das Elektrowerkzeug in unerwarteten Situationen besser kontrollieren.
- f) **Tragen Sie geeignete Kleidung. Tragen Sie keine weite Kleidung oder Schmuck. Halten Sie Haare und Kleidung fern von sich bewegendenden Teilen.** Lockere Kleidung, Schmuck oder lange Haare können von sich bewegendenden Teilen erfasst werden.
- g) **Wenn Staubabsaug- und -auffangeinrichtungen montiert werden können, sind diese anzuschließen und richtig zu verwenden.** Verwendung einer Staubabsaugung kann Gefährdung

- gen durch Staub verringern.
- h) **Wiegen Sie sich nicht in falscher Sicherheit und setzen Sie sich nicht über die Sicherheitsregeln für Elektrowerkzeuge hinweg, auch wenn Sie nach vielfachem Gebrauch mit dem Elektrowerkzeug vertraut sind.** Achtloses Handeln kann binnen Sekundenbruchteilen zu schweren Verletzungen führen.
- 4) **Verwendung und Behandlung des Elektrowerkzeugs**
- a) **Überlasten Sie das Elektrowerkzeug nicht. Verwenden Sie für Ihre Arbeit das dafür bestimmte Elektrowerkzeug.** Mit dem passenden Elektrowerkzeug arbeiten Sie besser und sicherer im angegebenen Leistungsbereich.
- b) **Benutzen Sie kein Elektrowerkzeug, dessen Schalter defekt ist.** Ein Elektrowerkzeug, das sich nicht mehr ein- oder ausschalten lässt, ist gefährlich und muss repariert werden.
- c) **Ziehen Sie den Stecker aus der Steckdose und/oder entfernen Sie einen abnehmbaren Akku, bevor Sie Geräteeinstellungen vornehmen, Einsatzwerkzeugteile wechseln oder das Elektrowerkzeug weglegen.** Diese Vorsichtsmaßnahme verhindert den unbeabsichtigten Start des Elektrowerkzeugs.
- d) **Bewahren Sie unbenutzte Elektrowerkzeuge außerhalb der Reichweite von Kindern auf. Lassen Sie keine Personen das Elektrowerkzeug benutzen, die mit diesem nicht vertraut sind oder diese Anweisungen nicht gelesen haben.** Elektrowerkzeuge sind gefährlich, wenn sie von unerfahrenen Personen benutzt werden.
- e) **Pflegen Sie Elektrowerkzeuge und Einsatzwerkzeug mit Sorgfalt. Kontrollieren Sie, ob bewegliche Teile einwandfrei funktionieren und nicht klemmen, ob Teile gebrochen oder so beschädigt sind, dass die Funktion des Elektrowerkzeugs beeinträchtigt ist. Lassen Sie beschädigte Teile vor dem Einsatz des Elektrowerkzeuges reparieren.** Viele Unfälle haben ihre Ursache in schlecht gewarteten Elektrowerkzeugen.
- f) **Halten Sie Schneidwerkzeuge scharf und sauber.** Sorgfältig gepflegte Schneidwerkzeuge mit scharfen Schneidkanten verklemmen sich weniger und sind leichter zu führen.
- g) **Verwenden Sie Elektrowerkzeug, Zubehör, Einsatzwerkzeuge usw. entsprechend diesen Anweisungen. Berücksichtigen Sie dabei die Arbeitsbedingungen und die auszuführende Tätigkeit.** Der Gebrauch von Elektrowerkzeugen für andere als die vorgesehenen Anwendungen kann zu gefährlichen Situationen führen.
- h) **Halten Sie Griffe und Griffflächen trocken, sauber und frei von Öl und Fett.** Rutschige Griffe und Griffflächen erlauben keine sichere Bedienung und Kontrolle des Elektrowerkzeugs in unvorhergesehenen Situationen.
- 5) **Service**
- a) **Lassen Sie Ihr Elektrowerkzeug nur von qualifiziertem Fachpersonal und nur mit Original-Ersatzteilen reparieren.** Damit wird sichergestellt, dass die Sicherheit des Elektrowerkzeugs erhalten bleibt.

### ZUSÄTZLICHE SICHERHEITSANWEISUNGEN FÜR RASENTRIMMER

- Den Bereich, in dem Sie arbeiten sauber und ordentlich halten.
- Vermeiden Sie den Betrieb des Trimmers bei Regen oder feuchten Wetterbedingungen, insbesondere wenn Gewittergefahr besteht.
- Arbeiten Sie nur bei Tageslicht oder bei guter künstlicher Beleuchtung
- Elektrowerkzeuge nicht dort verwenden, wo Brand- oder Explosionsgefahr besteht - d. h. in der Nähe von brennbaren Flüssigkeiten oder Gasen. Elektrowerkzeuge erzeugen Funken, die den Staub oder die Dämpfe entzünden können.
- Das Gerät niemals verwenden, wenn Sie müde oder krank sind oder unter Einfluss von Alkohol, Drogen oder Medikamenten stehen.
- Stets lange, feste Hosen, Stiefel und Handschuhe tragen. Keine weite Kleidung, Schmuck, kurze Hosen, Sandalen tragen und niemals barfuß arbeiten.
- Beim Betrieb der Maschine Schutzbrille und Gehörschutz tragen.
- Immer auf Standfestigkeit und Gleichgewicht achten. Keine anormale Arbeitshaltung einnehmen.
- Niemals Kindern oder Leuten, die nicht mit diesen Anweisungen vertraut sind, den Umgang mit diesem Rasentrimmer erlauben. Örtliche Vorschriften können das Alter des Betreibers einschränken. Den Trimmer außerhalb der Reichweite von Kindern lagern, wenn er nicht in Gebrauch ist.
- Den Trimmer nie verwenden, wenn Menschen, insbesondere Kinder oder Haustiere, in der Nähe sind.
- Bringen Sie Hände oder Füße nicht in die Nähe

des Schneidfadens.

- Bringen Sie niemals Schneideelemente aus Metall an diesen Trimmer an.
- Den Trimmer regelmäßig prüfen und warten.
- Betreiben Sie den Trimmer niemals mit fehlenden oder beschädigten Schutzabdeckungen oder Schilden oder ohne korrekt angebrachte Schutzabdeckungen oder Schilde.
- Vor der Benutzung der Maschine und nach einem Aufprall auf Gegenstände ist diese auf Anzeichen von Verschleiß oder Beschädigung zu prüfen und ggf. zu reparieren.
- Warten Sie, bis der Spulenfaden vollständig zum Stillstand gekommen ist, bevor Sie ihn berühren. Der Spulenfaden dreht sich auch nach dem Ausschalten des Trimmers weiter; ein rotierender Faden kann Verletzungen verursachen.
- Der Betrieb des Trimmers im nassen Gras verringert seine Effizienz.
- Schalten Sie den Trimmer aus, wenn Sie ihn zu und aus dem zu bearbeitenden Bereich transportieren.
- Schalten Sie den Motor erst ein, wenn die Hände und Füße nicht mehr im Schneidfadenbereich sind.
- Lassen Sie den Trimmer nur von einer autorisierten Kundendienststelle reparieren.
- Achten Sie stets darauf, dass die Lüftungsschlitze frei von Verschmutzungen sind.
- Bewahren Sie das Gerät an einem sicheren, trockenen Ort und außerhalb der Reichweite von Kindern auf. Keine anderen Gegenstände auf dem Gerät ablegen.
- Betreiben Sie das Gerät nicht ohne montierte Fadenhalterung.
- Keine Kraft auf das Gerät ausüben - lassen Sie es in der Geschwindigkeit arbeiten, für die es vorgesehen ist.
- Wir empfehlen bei Verwendung dieses Geräts dringend die Nutzung eines RCD (Residual Current Device) von maximal 30 mA an der Steckdose.
- Das Stromkabel nicht auf oder über spitze Objekte legen, welche die Außenisolierung durchbohren könnten. Eine Sichtprüfung des Stromkabels durchführen, und wenn das Kabel beschädigt ist, von einem speziellen Servicezentrum austauschen lassen. Das Gerät nicht verwenden, wenn das Kabel beschädigt ist.
- Wenn das Kabel während des Gebrauchs beschädigt wird, dann trennen Sie das Kabel sofort vom Netz. DAS KABEL NICHT VOR TRENNEN DER

STROMVERSORGUNG BERÜHREN. Das Gerät nicht verwenden, wenn das Gerätekabel oder das Verlängerungskabel beschädigt ist.

- Das Verlängerungskabel von Schneideelementen fernhalten.
- Immer sicherstellen, dass die Schutzvorrichtungen bei Gebrauch des Werkzeugs befestigt sind.
- Das Kabel vor Beginn der Arbeiten auf Schäden prüfen und bei Bedarf ersetzen.
- Den Trimmer regelmäßig prüfen und warten. Den Trimmer nur von einer Vertragswerkstatt reparieren lassen.
- Vor der Wartung den Stecker von der Steckdose trennen.



*Gefahr! Warten Sie nach dem Ausschalten der Maschine, bis sie und ihre Spule ganz zum Stillstand gekommen sind, bevor Sie sie ablegen.*

- Den Trimmer vom Netz trennen, wenn er unbeaufsichtigt gelassen wird.
- Nach dem Verlängern eines neuen Schneidfadens oder dem Austauschen des Spulenfadens: Bringen Sie den Trimmer vor dem Einschalten immer in seine normale Betriebsposition.
- Den Schneidkopf regelmäßig einer Sichtprüfung unterziehen. Wenn die Spule beschädigt ist, schalten Sie das Gerät aus, ziehen Sie den Stecker aus der Steckdose und tauschen Sie die Spule aus.
- Verwenden Sie das Gerät nicht zum Schneiden von Gras, das nicht auf dem Boden wächst. Schneiden Sie also zum Beispiel kein Gras auf Mauern oder Felsen.
- Keine Straßen oder Schotterwege überqueren, wenn das Gerät noch läuft.
- Das Gerät nur gemäß den in diesem Handbuch gegebenen Anweisungen verwenden.
- Verlängern Sie den Trimmfaden nicht über die Schutzabdeckung hinaus und betreiben Sie den Trimmer nicht, wenn nicht beide Fäden herausgezogen sind und der richtige Faden installiert ist.
- Regelmäßig prüfen, dass Muttern, Bolzen und Schrauben fest sind.

#### Elektrische Sicherheit



*Achten Sie stets darauf, dass die Spannung der Stromversorgung mit der Spannung auf dem Typenschild übereinstimmt.*

Typ X: Wenn das Netzkabel beschädigt ist, muss es durch ein Spezialkabel oder eine passende Baugruppe ersetzt werden, das bzw. die beim Hersteller oder seinem Kundendienst erhältlich ist.

Typ Y: Wenn das Netzkabel beschädigt ist, muss es vom Hersteller, seinem Kundendienst oder einer ähnlich qualifizierten Person ausgetauscht werden, um eine Gefährdung zu vermeiden.

- Verwenden Sie die Maschine nicht, wenn das Netzkabel oder der Netzstecker beschädigt ist.
- Verwenden Sie nur Verlängerungskabel, die für die Leistungsaufnahme der Maschine geeignet sind und eine Mindestaderstärke von 1,5 mm<sup>2</sup> haben. Falls Sie eine Kabeltrommel verwenden, rollen Sie das Kabel immer vollständig ab.

## 2. ANGABEN ZUM WERKZEUG

### Verwendungszweck

Dieser Rasentrimmer ist für den Einsatz im Freien, zum Trimmen und Schneiden von Gras und Rasen in Privat- und Hobbygärten bestimmt. Das Produkt ist für das Schneiden von Gras, dünnem Unkraut und anderer ähnlicher Vegetation in Bodennähe oder darüber konzipiert. Der Trimmer darf nicht zum Schneiden oder Trimmen von Hecken, Sträuchern oder anderen Pflanzen verwendet werden, bei denen sich die Schnittebene nicht auf oder über der Bodenoberfläche befindet. Verwenden Sie den Trimmer nicht zum Häckseln oder zur Herstellung von Kompost. Verwenden Sie dieses Gerät nicht im Regen.

### TECHNISCHE DATEN

<b>Modellnummer</b>	<b>GT502AC</b>
Spannung	230V
Frequenz	50Hz
Drehmomenteinstellungen	11.500/min
Schneiddurchmesser	230 mm
Schneidsystem	Spule mit 2 Fäden, Tap-and-Go Ø1,2mm x 4m
Gewicht	1,26 kg
Schalldruckpegel L <sub>PA</sub>	80 dB(A) K=3 dB(A)
Schallleistungspegel L <sub>WA</sub>	89,4 dB(A) K=1,96 dB(A)
Vibrationswert	≤2,5 m/s <sup>2</sup> K=1,1 m/s <sup>2</sup>

*Garantierter Wert gemas Larmschutzrichtlinie:  
LwA 96db (A)*

### Vibrationsintensität

Die in dieser Bedienungsanleitung angegebene Vibrationsintensität wurde mit einem standardisierten Test gemäß EN 60335-1 und EN 50636-2-91 gemessen. Anhand dieser Größe können Werkzeuge miteinander verglichen werden. Außerdem eignet sich diese Größe für eine erste Beurteilung der Vibrationsbelastung bei Verwendung des Werkzeugs für die angegebenen Anwendungszwecke:

- Bei Verwendung des Werkzeugs für andere Anwendungen oder mit anderem oder unzureichend gewartetem Zubehör kann sich die Vibrationsbelastung erheblich erhöhen;
- Wenn das Werkzeug ausgeschaltet ist, oder wenn es eingeschaltet ist, jedoch nicht genutzt wird, kann sich die Vibrationsbelastung erheblich verringern.

Schützen Sie sich vor den Auswirkungen der Vibration durch Wartung des Werkzeugs und des Zubehörs, halten Sie Ihre Hände warm, und organisieren Sie Ihren Arbeitsablauf.

### BESCHREIBUNG

Die Ziffern im nachstehenden Text verweisen auf die Abbildungen auf Seite 2-5.

1. Griff
2. Ein-/Ausschalter
3. Kabelhaken
4. Vorderer Griff
5. Stromkabel
6. Oberes Gehäuse
7. Unteres Gehäuse
8. Schutzabdeckung
9. Spulenbaugruppe
10. Gehäuseschraube
11. Schutzabdeckungsschraube
12. Kerbe
13. Klinge
14. Spulenabdeckung
15. Fadenspule
16. Feder
17. Spulenhalter

### 3. MONTAGE



*Schnittverletzungen, wenn das Gerät versehentlich startet. Vergewissern Sie sich vor dem Zusammenbau des Geräts, dass das Stromkabel abgezogen ist.*

#### Montage des Gehäuses (Abb. A, B, C)

1. Setzen Sie das untere Gehäuse (7) wie in Abbildung B gezeigt in das obere Gehäuse (6) ein. Achten Sie dabei darauf, dass das Kabel nicht gedehnt oder eingeklemmt wird.
2. Befestigen Sie beide Gehäuseteile wie in Abbildung C gezeigt mit den Gehäuseschrauben (10). Verwenden Sie auf jeder Gehäuseseite eine Schraube.

#### Montage der Schutzabdeckung (A, D)

1. Setzen Sie die Schutzabdeckung (8) auf das untere Gehäuse (7), indem Sie die Schutzabdeckung zuerst in die Kerbe (12) stecken und dann nach oben ziehen.
2. Befestigen Sie nun die Schutzabdeckung mit der Schutzabdeckungsschraube (11). Eine korrekt montierte Schutzabdeckung ist in Abbildung D dargestellt.

#### Auswechseln der Fadenspule (Abb. F1)



*Reinigen Sie das Gerät vor dem Austausch der Spule von jeglichen Verschmutzungen.*

- Entfernen Sie die Spulenabdeckung (14), indem Sie die beiden Knöpfe auf beiden Seiten der Spulenabdeckung hereindrücken.
- Nehmen Sie die Spulenrolle (15) heraus, aber lassen Sie die Feder (16) an ihrem Platz.
- Nehmen Sie die neue Spulenrolle (GT802AA) und legen Sie sie über die Feder (16). Stellen Sie sicher, dass die Fäden durch die Löcher im Inneren des Spulenhalters (17) geführt werden.
- Decken Sie die neue Spule mit der Spulenabdeckung (14) ab und achten Sie dabei darauf, dass die Knöpfe der Spulenabdeckung (14) richtig an den Löchern im Spulenhalter (17) ausgerichtet sind.

### 4. BETRIEB

#### Verwendung des Tap-and-Go-Systems (Abb. A, D)

Um das Tap-and-Go-System zu aktivieren, muss die Kunststoffabdeckung vor der Klinge (13) in der Schutzabdeckung (8) entfernt werden.



*Zur Vermeidung von Verletzungen sollten Sie die Klinge (13) in der Schutzabdeckung (8) nicht berühren.*

- Wenn der Faden zu kurz geworden ist, schalten Sie die Maschine ein und drücken Sie die Spitze der Spulenrolle (15) auf den Boden. (Achten Sie darauf, dass dies auf einer harten Oberfläche geschieht.)
- Dadurch wird der Faden freigegeben, um verlängert zu werden.
- Der Faden wird durch die in der Schutzabdeckung (13) montierte Klinge automatisch auf die richtige Länge geschnitten.

#### Verwendung des Kabelgriffs (Abb. A, E)

Um den Stecker am Verlängerungskabel zu sichern, muss eine Schlaufe in das Verlängerungskabel gemacht und das Kabel wie dargestellt am Kabelhaken befestigt werden (siehe Abb. E). Einmal gesichert, das Kabel am Stecker befestigen. So wird ein versehentliches Herausziehen vermieden.

#### Benutzung des Trimmers



*Vor dem Gebrauch immer visuell prüfen, ob das Gerät und seine Teile korrekt montiert und weder abgenutzt noch beschädigt sind.*

Halten Sie das Gerät am oberen Teil des Griffs (1) und am vorderen Griff (4) fest, so dass der Trimmerkopf ein wenig nach vorne geneigt ist. Achten Sie darauf, dass der Faden nicht mit harten Gegenständen wie Mauern, Steinen oder Zäunen in Berührung kommt, um zu verhindern, dass der Faden damit zusammenschweißt oder abbricht.

#### Ein- und Ausschalten (Abb. A)

- Zum Einschalten des Trimmers drücken Sie den Ein-/Ausschalter (2).
- Zum Ausschalten lassen Sie einfach den Ein-/Ausschalter (2) los.



## 5. WARTUNG



*Trennen Sie die Maschine vom Netz, wenn Sie am Mechanismus Wartungsarbeiten ausführen müssen.*

Die Maschinen sind darauf ausgelegt, über einen langen Zeitraum mit einem Minimum an Wartung betrieben zu werden. Ein fortwährend zufriedenstellender Betrieb hängt von einer ordnungsgemäße Maschinenpflege und regelmäßiger Reinigung ab.

- Vor dem Reinigen und Aufbewahren der Maschine den Strom abschalten und den Stecker herausziehen.
- Die Maschine erfordert keine zusätzliche Schmierung.
- Das Gehäuse und sonstige Teile mit einem milden Reinigungsmittel und einem feuchten Tuch reinigen.
- Niemals aggressive Reinigungs- oder Lösungsmittel verwenden.
- Vermeiden, dass Wasser in die Maschine gelangt.
- Lassen Sie den Trimmer nicht für längere Zeit auf dem Boden liegen, da sich sonst die Form der Schutzabdeckung verändern kann, was ein Sicherheitsrisiko darstellt. Hängen Sie das Gerät am oberen Handgriff über dem Boden auf.

### Reinigung

Das Maschinengehäuse regelmäßig mit einem weichen Tuch reinigen, vorzugsweise nach jedem Gebrauch. Die Lüftungsschlitze frei von Staub und Schmutz halten. Wenn sich der Schmutz nicht löst, ein weiches Tuch, befeuchtet mit Seifenwasser verwenden. Niemals Lösungsmittel, wie Benzin, Alkohol, Ammoniakwasser usw. verwenden. Diese Substanzen können die Kunststoffteile beschädigen.

## UMWELTSCHUTZ



*Schadhafte und/oder zu entsorgende elektrische oder elektronische Werkzeuge und Geräte müssen an den dafür vorgesehenen Recycling-Stellen abgegeben werden.*

### Nur für EG-Länder

Entsorgen Sie Elektrowerkzeuge nicht über den Hausmüll. Entsprechend der EU-Richtlinie 2012/19/

EG über Elektro- und Elektronik-Altgeräte sowie der Umsetzung in nationales Recht müssen Elektrowerkzeuge, die nicht mehr im Gebrauch sind, getrennt gesammelt und umweltschonend entsorgt werden.

## GARANTIE

VONROC-Produkte werden nach den höchsten Qualitätsstandards entwickelt und sind für den gesetzlich festgelegten Zeitraum, ausgehend von dem ursprünglichen Kaufdatum, garantiert frei von Fehlern in Material und Ausführung. Sollte das Produkt in diesem Zeitraum aufgrund von Material- und/oder Verarbeitungsmängeln Fehler aufweisen, wenden Sie sich bitte direkt an VONROC Kundendienst.

Folgende Umstände sind von der Garantie ausgeschlossen:

- Reparaturen und oder Änderungen an der Maschine, die durch nicht-autorisierte Servicetechniken vorgenommen oder versucht wurden.
- Normale Abnutzung und Verschleiß.
- Das Werkzeug wurde übermäßig beansprucht, missbräuchlich verwendet oder falsch gewartet.
- Es wurden keine Original-Ersatzteile verwendet.

Dies stellt die einzige Gewährleistung des Unternehmens dar, sowohl ausdrücklich als auch implizit.

Es gibt keine anderen ausdrücklichen oder stillschweigenden Garantien, die über das hier Genannte hinausgehen, einschließlich der stillschweigenden Garantien der Marktgängigkeit oder Eignung für einen bestimmten Zweck. In keinem Fall ist VONROC haftbar für Neben- oder Folgeschäden. Die Rechtsmittel des Händlers beschränken sich auf Reparatur oder Ersatz fehlerhafter Einheiten oder Teile.

**Am Produkt und am Benutzerhandbuch können Änderungen vorgenommen werden. Die technischen Daten können sich ohne Vorankündigung ändern.**



## 1. VEILIGHEIDSVOORSCHRIFTEN

Lees de bijgesloten veiligheidswaarschuwingen, de aanvullende veiligheidswaarschuwingen en de instructies. Het niet opvolgen van de veiligheidswaarschuwingen kan elektrische schokken, brand en/of ernstig letsel tot gevolg hebben. Bewaar de veiligheidswaarschuwingen en instructies als naslagwerk voor later.

Dit apparaat mag worden gebruikt door kinderen vanaf 8 jaar en door personen met verminderde lichamelijke, zintuiglijke of geestelijke vermogens, of met een gebrek aan ervaring en kennis, mits zij onder toezicht staan of geïnstrueerd zijn betreffende het veilig gebruik van het apparaat en zich bewust zijn van de ermee verbonden risico's. Kinderen mogen niet met het apparaat spelen. Reiniging en gebruikersonderhoud mogen niet door kinderen zonder toezicht worden uitgevoerd.

De volgende symbolen worden gebruikt in de gebruikershandleiding of op het product:



Lees de gebruikershandleiding.



Duidt op het risico van lichamelijk letsel, overlijden en/of beschadiging van het gereedschap, als de instructies in deze gebruiksaanwijzing niet in acht worden genomen.



Zorg ervoor dat omstanders geen letsel oplopen als gevolg van vreemde objecten die worden weggelingerd.



Waarschuwing: Houd een veilige afstand aan tot het product wanneer deze in werking is.



Loskoppelen van de stroomvoorziening en de stekker uit het stopcontact nemen voordat een aanpassing of reiniging gaat plaatsvinden, of als de kabel verstrikt is geraakt en voordat u het tuinproduct voor een bepaalde periode zonder toezicht achterlaat. Houd de flexibele stroomkabel uit de buurt van de snijlijn.



Zorg ervoor dat omstanders geen letsel oplopen als gevolg van vreemde objecten die worden weggeworpen. Waarschuwing: Houd een veilige afstand aan tot de machine wanneer deze in werking is.



Gevaar voor elektrische schokken.



Draag gehoorbescherming.



Draag altijd een veiligheidsbril!



Draag veiligheidshandschoenen.



Draag veiligheidsschoenen.



Stel de machine niet bloot aan regen.



De omgeving waar de machine wordt gebruikt, zorgvuldig controleren op de aanwezigheid van wild en huisdieren. Wild en huisdieren kunnen letsel oplopen als de machine in werking is. Controleer het werkgebied nauwgezet op de aanwezigheid van stenen, stokken, draden, botten en vreemde objecten. Als de machine wordt gebruikt, dient gecontroleerd te worden of geen wild, huisdieren of kleine boomstronken in het dichte gras zijn verborgen.



Klasse II apparaat - Dubbel geïsoleerd - Een geaarde stekker is niet noodzakelijk.



Het product voldoet aan de geldende veiligheidsnormen vermeld in de Europese richtlijnen.



Het gegarandeerde geluidsvermogensniveau LWA = 96 dB(A)

### ALGEMENE VEILIGHEIDSVOORSCHRIFTEN



**WAARSCHUWING! Lees alle veiligheids-  
waarschuwingen en alle instructies.** Het niet opvolgen van onderstaande instructies kan leiden tot een elektrische schok, brand en/of ernstig persoonlijk letsel.

**Bewaar deze instructies.**

De term “elektrisch gereedschap” in onderstaande waarschuwingen heeft betrekking op zowel apparatuur met een vaste elektriciteitskabel als op apparatuur met een accu (draadloze apparatuur).

**1) Werkgebied**

- a) **Zorg voor een opgeruimde en goed verlichte werkomgeving.** Rommelige en donkere werkomgevingen leiden tot ongelukken
- b) **Gebruik elektrisch gereedschap nooit in een omgeving waar explosiegevaar bestaat, zoals in de nabijheid van ontvlambare vloeistoffen, gassen, dampen of andere stoffen.** Elektrische gereedschappen kunnen vonken veroorzaken, die deze stoffen tot ontbranding kunnen brengen.
- c) **Wanneer u elektrisch gereedschap gebruikt, houd dan kinderen en omstanders op afstand.** Wanneer u wordt afgeleid, kunt u de controle over het gereedschap verliezen.

**2) Elektrische veiligheid**

- a) **Stekkers van elektrische gereedschappen moeten probleemloos passen op het stopcontact. Breng nooit wijzigingen aan in of aan de stekker. Gebruik geen adapters voor geaarde elektrische gereedschappen.** Standaardstekkers en passende stopcontacten verkleinen de kans op een elektrische schok.
- b) **Voorom lichamen contact met geaarde oppervlakken van bijvoorbeeld pijpen, leidingen, radiatoren, fornuizen en koelkasten.** Wanneer uw lichaam geaard is, wordt de kans op een elektrische schok groter.
- c) **Stel elektrische gereedschappen nooit bloot aan regen of vocht.** Wanneer er water binnendringt in een elektrisch gereedschap, wordt de kans op een elektrische schok groter.
- d) **Gebruik het snoer niet om het elektrisch gereedschap te dragen, te verplaatsen of de stekker uit het stopcontact te trekken. Bescherm het snoer tegen olie, warmte, scherpe randen en bewegende delen.** Beschadigde of vastzittende snoeren vergroten de kans op een elektrische schok.
- e) **Wanneer u elektrische gereedschappen buiten gebruikt, gebruik dan een verlengkabel die geschikt is voor buitengebruik.** Door een kabel te gebruiken die geschikt is voor buitengebruik, wordt de kans op een elektrische schok kleiner.
- f) **Gebruik een aardlekbeveiliging (RCD) als niet te**

**voorkomen is dat een power tool moet worden gebruikt in een vochtige omgeving.** Gebruik van een RCD vermindert het risico van elektrische schokken.

**3) Persoonlijke veiligheid**

- a) **Blijf altijd alert, kijk goed wat u doet en gebruik uw gezonde verstand wanneer u een elektrisch gereedschap gebruikt. Gebruik geen elektrische gereedschappen wanneer u moe bent, of drugs, alcohol of medicijnen hebt gebruikt.** Eén moment van onachtzaamheid bij het gebruik van elektrische gereedschappen kan ernstige verwondingen tot gevolg hebben.
- b) **Gebruik persoonlijke beschermingsmiddelen. Draag altijd een veiligheidsbril.** Een gepast gebruik van veiligheidsvoorzieningen, zoals een stof masker, speciale werkschoenen met antislipzolen, een veiligheidshelm en gehoorbescherming verkleinen de kans op persoonlijk letsel.
- c) **Voorom dat het gereedschap per ongeluk wordt gestart. Zorg dat de schakelaar op de UITpositie staat, voordat u de stekker in het stopcontact steekt.** Draag elektrisch gereedschap nooit met uw vinger op de schakelaar en steek ook nooit de stekker van ingeschakelde elektrische gereedschappen in het stopcontact: dit leidt tot ongelukken.
- d) **Verwijder alle instel en andere sleutels uit het elektrisch gereedschap voordat u hem inschakelt.** Instel en andere sleutels aan een ronddraaiend onderdeel van het elektrisch gereedschap kunnen tot verwondingen leiden.
- e) **Zorg dat u nooit uw evenwicht kunt verliezen; houd altijd twee voeten stevig op de vloer.** Hierdoor kunt u het elektrisch gereedschap in onverwachte situaties beter onder controle houden.
- f) **Zorg dat u geschikte kleding draagt. Draag geen loshangende kleding of sieraden. Houd uw haar, kleding en handschoenen uit de buurt van bewegende delen.** Loshangende kleding, sieraden en lang haar kunnen vast komen te zitten in bewegende delen.
- g) **Wanneer er voorzieningen zijn voor de aansluiting van stofafzuiginstallaties, zorg dan dat ze op de juiste wijze worden aangesloten en gebruikt.** Gebruik van deze voorzieningen vermindert de gevaren die door stof worden veroorzaakt.
- h) **Denk niet dat doordat u gereedschap vaak gebruikt, u wel weet hoe het allemaal werkt en**

**dat u de veiligheidsbeginselen voor het gebruik van het gereedschap wel kunt negeren.** Een onbezonnen actie kan in een fractie van een seconde ernstig letsel tot gevolg hebben.

#### 4) Gebruik en onderhoud van elektrisch gereedschap

- a) **Oefen geen overmatige kracht uit op elektrisch gereedschap. Gebruik het juiste gereedschap voor uw specifieke toepassing.** Met het juiste elektrische gereedschap voert u de taak beter en veiliger uit wanneer dit op de snelheid gebeurt waarvoor het apparaat is ontworpen.
- b) **Gebruik nooit elektrisch gereedschap waarvan de AAN/UITschakelaar niet werkt.** Ieder elektrisch gereedschap dat niet kan worden in en uitgeschakeld met de schakelaar is gevaarlijk en moet worden gerepareerd.
- c) **Trek de stekker uit het stopcontact voordat u wijzigingen aanbrengt aan elektrische gereedschappen, accessoires verwisselt of het elektrisch gereedschap opbergt.** Wanneer u zich aan deze preventieve veiligheidsmaatregelen houdt, beperkt u het risico dat het gereedschap per ongeluk wordt gestart.
- d) **Berg elektrisch gereedschap dat niet in gebruik is op buiten bereik van kinderen en laat personen die niet bekend zijn met het gereedschap of deze instructies het apparaat niet gebruiken.** Elektrisch gereedschap is gevaarlijk in de handen van ongeoefende gebruikers.
- e) **Zorg voor een goed onderhoud van elektrisch gereedschap. Controleer of bewegende delen op de juiste wijze zijn vastgezet. Controleer ook of er geen onderdelen defect zijn of dat er andere omstandigheden zijn die van invloed kunnen zijn op de werking van het gereedschap. Laat het gereedschap bij beschadigingen repareren vóór gebruik.** Veel ongelukken worden veroorzaakt door slecht onderhoud van het gereedschap.
- f) **Zorg dat snij en zaagwerktuigen scherp en schoon blijven.** Goed onderhouden snij en zaagwerktuigen met scherpe randen zullen minder snel vastlopen en zijn eenvoudiger onder controle te houden.
- g) **Gebruik alle elektrische gereedschappen, accessoires, bitjes etc., zoals aangegeven in deze instructies en op de wijze waarvoor het gereedschap is ontworpen. Houd daarbij rekening met de werkomstandigheden en de uit te voeren taak.** Gebruik van elektrisch

gereedschap voor handelingen die afwijken van de taken waarvoor het apparaat is ontworpen kunnen leiden tot gevaarlijke situaties.

- h) **Houd handgrepen en greepoppervlakken droog, schoon en vrij van olie en vet.** Gladde handgrepen en greepoppervlakken maken veilig werken en controle over het gereedschap in onverwachte situaties onmogelijk.

#### 5) Service

- a) **Laat uw gereedschap onderhouden door een gekwalificeerde onderhoudstechnicus die alleen gebruikmaakt van identieke vervangingsonderdelen.** Dit zorgt ervoor dat de veiligheid van de power tool intact blijft.

#### AANVULLENDE VEILIGHEIDSVORSCHRIFTEN GRASTRIMMER

- Houd het terrein waar u werkt schoon en opgeruimd.
- Werk niet met de trimmer als het regent of in natte omgevingen, met name niet als het risico op onweer dreigt.
- Werk alleen bij daglicht of bij goed kunstlicht
- Gebruik elektrisch gereedschap niet op een plaats waar gevaar is voor brand of explosie – bijv. in de buurt van brandbare vloeistoffen of gassen. Elektrische gereedschappen maken mogelijk vonken die het stof of de gassen kunnen ontsteken.
- Werk nooit met het product wanneer u moe bent, u zich niet lekker voelt of wanneer u onder invloed bent van alcohol, drugs of medicijnen.
- Draag altijd een lange broek van zware stof, laarzen en handschoenen. Draag geen losse kleding, korte broek, sandalen en werk nooit blootsvoets.
- Draag oogbescherming en gehoorbescherming wanneer u met de machine werkt
- Blijf stevig op beide voeten en in evenwicht staan. Reik niet buiten uw macht.
- Laat nooit kinderen of mensen die deze instructies niet kennen, deze trimmer gebruiken. Lokaal geldende voorschriften kunnen een beperking van de leeftijd van de gebruiker inhouden. De trimmer buiten bereik van kinderen opbergen, wanneer deze niet in gebruik is.
- Werk nooit met deze trimmer terwijl er mensen, vooral kinderen, of huisdieren, bij u in de buurt zijn.
- Houd uw handen en voeten weg bij het maai-

mechanisme.

- Plaats nooit metalen maaiementen op deze trimmer.
- Inspecteer en onderhoud de trimmer regelmatig.
- Werk nooit met de trimmer met ontbrekende of defecte beschermkappen of schilden of zonder dat beschermkappen en schilden correct zijn geplaatst.
- Controleer de machine voordat u deze gebruikt of nadat deze ergens tegenaan is gestoten, op tekenen van slijtage of beschadiging, en voer reparaties uit als dat nodig is
- Raak de spoellijn pas aan wanneer deze volledig tot stilstand is gekomen. De spoellijn blijft nog even draaien nadat de trimmer is uitgeschakeld, een ronddraaiende draad kan letsel veroorzaken.
- Wanneer u met de trimmer in nat gras werkt, nemen de prestaties af.
- Schakel de machine uit wanneer u deze van en naar de werkplek vervoert.
- Schakel de machine alleen in wanneer handen en voeten weg zijn bij het maaimechanisme.
- Laat de trimmer uitsluitend door een geautoriseerde servicedienst repareren.
- Let er altijd op dat de ventilatiesleuven vrij blijven van vuil
- Berg de machine op in een veilige, droge ruimte, buiten bereik van kinderen. Plaats geen andere voorwerpen bovenop de machine
- Werk niet met de machine zonder dat het draadhulpstuk is gemonteerd
- Oefen geen grote kracht op het apparaat uit - laat het werken op de snelheid waarvoor het is bedoeld.
- Bij het gebruik van dit product adviseren wij u ten eerste een aardlekschakelaar (RCD - Residual Current Device) van niet meer dan 30 mA te gebruiken en deze bij het stopcontact te plaatsen.
- Zorg ervoor dat het netsnoer niet op of over scherpe voorwerpen komt te liggen die de -isolatiemantel zouden kunnen doorboren. Voer voordat u de machine gebruikt, een visuele inspectie uit van het netsnoer en als het netsnoer is beschadigd, dient u het door een gespecialiseerd servicecentrum te laten vervangen. Gebruik de machine niet als het snoer is beschadigd.
- Raakt een snoer tijdens het gebruik bescha-

digd, trek dan onmiddellijk de stekker van het snoer uit het stopcontact. **RAAK HET SNOER PAS AAN WANNEER U DE STEKKER UIT HET STOPCONTACT HEBT GETROKKEN.** Gebruik het apparaat niet als het snoer van het apparaat of het verlengsnoer is beschadigd.

- Houd het verlengsnoer weg bij de snijelementen.
- Controleer altijd dat de beschermkappen zijn gemonteerd wanneer u het gereedschap gebruikt.
- Controleer de kabel op beschadiging voordat u de werkzaamheden aanvangt, en vervang de kabel als dat nodig is.
- Inspecteer en onderhoud de trimmer regelmatig. Laat de heggenschaar uitsluitend repareren door een geautoriseerde servicemonteur.
- Trek de stekker uit het stopcontact voordat u onderhoudswerkzaamheden uitvoert.



*Gevaar! Bij het uitschakelen van de machine, dient u te wachten tot de machine en de spoel volledig tot stilstand zijn gekomen en leg de machine dan pas neer.*

- Verbreek altijd de verbinding van de trimmer met de stroomvoorziening, wanneer u de trimmer onbeheerd achterlaat.
- Na het verlengen van de nieuwe snijlijn of het vervangen van de draadspoel. De trimmer altijd in de normale werkingsstand zetten, voordat u het inschakelt.
- De conditie van de snijkop periodiek controleren. Als de spoel is beschadigd, dient u de stekker uit het stopcontact te nemen en de spoel te vervangen. Gebruik de machine niet om het gras te knippen of maaien dat niet in de aarde, op de grond groeit. Knip bijvoorbeeld geen gras dat op muren of stenen groeit.
- Steek geen wegen of grindpaden over als de machine nog loopt.
- Gebruik de machine uitsluitend volgens de instructies die in deze handleiding worden gegeven.
- De trimlijn niet langer dan de beschermkap laten zijn en de trimmer niet gebruiken zonder dat de beide lijnen zijn afgerold en de juiste lijn is geïnstalleerd.
- Controleer regelmatig of de bouten, moeren, schroeven goed vastzitten.

### Elektrische veiligheid



Controleer altijd of de spanning van de stroomtoevoer overeenkomt met de spanning op het typeplaatje.

type X: Als de aansluitkabel is beschadigd, moet deze worden vervangen door een speciale kabel die verkrijgbaar is bij de fabrikant of diens klanten-service.

type Y: Als het netsnoer beschadigd is moet het worden vervangen door de fabrikant, diens service-medewerkers of andere gekwalificeerde personen om risico's te voorkomen.

- Gebruik de machine niet indien het netsnoer of de netstekker zijn beschadigd.
- Gebruik uitsluitend verlengkabels die geschikt zijn voor het vermogen van de machine met een minimale dikte van 1.5 mm<sup>2</sup>. Indien u een verlengkabelhaspel gebruikt, rol dan altijd de kabel volledig uit.

## 2. TECHNISCHE INFORMATIE

### Bedoeld gebruik

Deze grastrimmer is bedoeld voor gebruik buitenshuis, voor het maaien van een gazon en grasvelden van particuliere tuinen en hobbytuinen. Het product werd ontwikkeld voor het maaien van gras, geringe stugge soorten onkruid en overige vegetatie op (ongeveer) grondniveau. De trimmer moet niet worden gebruikt voor het knippen van heggen, waarbij het snijvlak niet op (ongeveer) het grondniveau is. Gebruik de trimmer niet om te verhakselen of om compost te maken. Gebruik deze machine niet in de regen.

### TECHNISCHE SPECIFICATIES

<b>Model Nr.</b>	<b>GT502AC</b>
Voltage	230V
Frequentie	50Hz
Onbelast toerental	11.500/min
Knipdiameter	230 mm
Snijstelsysteem	Draadspoel met 2 lijnen, Tappen en aan de slag Ø 1,2 mm x 4 m
Gewicht	1,26 kg

Geluidsdrukniveau L <sub>PA</sub>	80 dB(A) K=3 dB(A)
Geluidsvermogensniveau L <sub>WA</sub>	89,4 dB(A) K=1,96 dB(A)
Trillingswaarde	≤2,5 m/s <sup>2</sup> K=1,1 m/s <sup>2</sup>

Gegarandeerde waarde volgens de geluidsrichtlijn: L<sub>WA</sub> 96db (A)

### Trillingsniveau

Het trillingsemisnieniveau, dat in deze gebruiksaanwijzing wordt vermeld, is gemeten in overeenstemming met een gestandaardiseerde test volgens EN 60335-1 en EN 50636-2-91; deze mag worden gebruikt om twee machines met elkaar te vergelijken en als voorlopige beoordeling van de blootstelling aan trilling bij gebruik van de machine voor de vermelde toepassingen.

- Het gebruik van de machine voor andere toepassingen, of met andere of slecht onderhouden accessoires, kan het blootstellingsniveau aanzienlijk verhogen.
- Wanneer de machine is uitgeschakeld of wanneer deze loopt maar geen werk verricht, kan dit het blootstellingsniveau aanzienlijk reduceren.

Bescherm uzelf tegen de gevolgen van trilling door de machine en de accessoires te onderhouden, uw handen warm te houden en uw werkwijze te organiseren.

### BESCHRIJVING

De nummers in de tekst verwijzen naar de illustraties op pagina 2-5.

1. Handgreep
2. Aan/uit-schakelaar
3. Kabelhaak
4. Voorste handgreep
5. Voedingskabel
6. Bovenkant van de behuizing
7. Onderkant van de behuizing
8. Beschermpak
9. Samenstelling van de spoel
10. Schroef voor de behuizing
11. Schroef voor de beschermpak
12. Inkeping
13. Snijmes
14. Spoelkap
15. Draadspoel
16. Veer
17. Spoelhouder

### 3. ASSEMBLAGE



*Snijletsel als de eenheid onbedoeld start. Voordat u de eenheid samenstelt, moet u controleren of de kabel gescheiden is van de stroomvoorziening.*

#### De behuizing samenstellen (Afb. A, B, C)

1. Steek de onderkant van de behuizing (7) in de bovenkant van de behuizing (6), zoals weergegeven op afbeelding B. Controleer of de kabel niet wordt uitgerekt of ergens tussen is geklemd als u dit doet.
2. Maak de beide delen van de behuizing vast met de schroeven voor de behuizing (10), zoals weergegeven op afbeelding C. Gebruik een schroef aan beide zijden van de behuizing.

#### De beschermkap monteren (A, D)

1. Plaats de beschermkap (8) op de onderkant van de behuizing (7) door de kap eerst in de inkeping (12) te plaatsen en daarna de beschermkap omhoog te tillen.
2. Vervolgens maakt u de beschermkap vast met behulp van de schroef voor de beschermkap (11). Een op de juiste wijze samengestelde beschermkap wordt weergegeven op afbeelding D.

#### De draadspoel vervangen (Afb. F1)



*Maak de machine volledig schoon voordat u de spoel vervangt.*

- Verwijder de spoelkap (14) door de twee knoppen, aan beide zijden van de spoelkap in te drukken.
- Neem de spoelklos (15) uit, maar laat de veer (16) zitten.
- Neem de nieuwe spoelklos (GT802AA) en plaats deze over de veer (16). Let erop dat de draden door de gaten in de spoelhouder (17) lopen.
- Bedek de nieuwe spoelklos met de spoelkap (14) en controleer of de knoppen van de spoelkap (14) op de juiste manier zijn uitgelijnd met de gaten en de spoelhouder (17).

### 4. BEDIENING

#### Werken met het Tap-and-go-systeem (Afb. A, D)

Om het tap en aan de slag systeem te kunnen activeren, dient de kunststof kap vóór het mes (13) in de beschermkap (8) verwijderd te zijn.



*Raak het mes (13) in de beschermkap (8) niet aan, zodat letsel wordt voorkomen.*

- Wanneer de draad te kort is, schakel dan de machine in en druk op de punt van de spoelklos (15) op de grond (zorg ervoor dat u dit doet op een hard oppervlak).
- Zo wordt de draad vrijgegeven en wordt deze langer.
- De draad wordt automatisch op de juiste lengte afgeknipt door het mes dat in de beschermkap (13) is gemonteerd.

#### De draadgreep gebruiken (Afb. A, E)

Om ervoor te zorgen dat de stekker stevig vastzit in het verlengsnoer, maakt u een lus in het verlengsnoer en maakt u deze lus vast aan de kabelhaak, zoals weergegeven (zie Afb. E). Steek de stekker in het verlengsnoer, wanneer het verlengsnoer stevig vastzit. Zo wordt voorkomen dat de stekker per ongeluk uit het verlengsnoer wordt getrokken.

#### Het gebruik van de trimmer



*Voer voorafgaand aan het gebruik altijd een visuele inspectie van de machine en de onderdelen ervan uit en kijk of zij goed zijn gemonteerd, niet versleten of beschadigd zijn.*

De eenheid aan de bovenste deel van de handgreep (1) en de voorste handgreep (4) vasthouden, zodat de trimmerkop iets naar voren is gekanteld. Controleer of het filament geen harde objecten, zoals muren, stenen en hekken raakt, zodat wordt voorkomen dat het filament als het ware 'samen smelt' of breekt.

#### In-/uitschakelen (Afb. A)

- Om de trimmer in te schakelen, drukt u op Aan/Uit-schakelaar (2).
- Om de trimmer uit te schakelen, laat u de Aan/Uit-schakelaar (2) los.

### 5. ONDERHOUD



*Zorg dat de machine niet onder spanning staat wanneer onderhoudswerkzaamheden aan het mechaniek worden uitgevoerd.*

De machines zijn zo ontworpen dat ze met een minimum aan onderhoud lange tijd dienst kunnen doen. Voortdurend gebruik naar tevredenheid is afhankelijk van de juiste verzorging van de machine en regelmatige reiniging.

- Schakel de machine uit en trek de stekker uit het stopcontact, voordat u de machine schoonmaakt en opbergt.
- De machine hoeft niet te worden gesmeerd.
- Reinig de behuizing en andere onderdelen met een mild schoonmaakmiddel en een vochtige doek.
- Gebruik nooit agressieve schoonmaakmiddelen of oplosmiddelen.
- Voorkom dat water in de machine doordringt.
- Laat de trimmer niet voor een langere periode op de grond staan, omdat dit de beschermkap kan vervormen, waardoor het een veiligheidsrisico wordt. Hang het aan de bovenste handgreep op een positie boven de grond

### Schoonmaken

Maak de behuizing van de machine regelmatig schoon met een zachte doek, bij voorkeur na ieder gebruik. Houd de ventilatiesleuven vrij van stof en vuil. Gebruik een zachte met zeepwater vochtig gemaakte doek als het vuil niet kan worden verwijderd. Gebruik nooit oplosmiddelen zoals benzine, alcohol, ammoniakwater, enz. Deze oplosmiddelen kunnen de kunststof onderdelen beschadigen.

### MILIEU



*Defecte en/of afgedankte elektrische of elektronische gereedschappen dienen ter verwerking te worden aangeboden aan een daarvoor verantwoordelijke instantie.*

### Uitsluitend voor EG-landen

Werp elektrisch gereedschap niet weg bij het huisvuil. Conform de Europese Richtlijn 2012/19/EG voor Afgedankte Elektrische en Elektronische Apparatuur en de implementatie ervan in nationaal recht moet niet langer te gebruiken elektrisch gereedschap gescheiden worden verzameld en op een milieuvriendelijke wijze worden verwerkt.

### GARANTIE

VONROC producten zijn ontworpen volgens de hoogste kwaliteitsstandaarden en gegarandeerd vrij van defecten, zowel materieel als fabrieksfouten, tijdens de wettelijk vastgestelde garantieperiode vanaf de eerste aankoopdatum. Mocht het product tijdens deze periode gebreken vertonen veroorzaakt door defecte materialen en/of fabrieksfouten, neem dan rechtstreeks contact op met VONROC.

De volgende situaties vallen niet onder de garantie:

- Er zijn reparaties of aanpassingen aan de machine uitgevoerd, of er is een poging daartoe ondernomen, door een niet-geautoriseerd servicecentrum.
- Normale slijtage.
- De machine is misbruikt, verkeerd gebruikt of slecht onderhouden.
- Er zijn niet-originele reserveonderdelen gebruikt.

Dit vormt de enige garantie opgesteld door het bedrijf zowel expliciet als impliciet. Er bestaan geen andere garanties expliciet of impliciet welke verder gaan dan deze garantie, inclusief impliciete garanties van verkoopbaarheid en geschiktheid voor bepaalde doeleinden. In geen enkel geval kan VONROC aansprakelijk worden gesteld voor incidentele schade of gevolgschade. Reparaties van dealers zijn gelimiteerd tot de reparatie of vervanging van defecte producten of onderdelen.

**Het product en de gebruikershandleiding zijn onderhevig aan wijzigingen. Specificaties kunnen zonder opgaaf van redenen worden gewijzigd.**



## 1. CONSIGNES DE SECURITE

En plus des avertissements de sécurité suivants, veuillez également lire les avertissements de sécurité additionnels ainsi que les instructions. Le non-respect des avertissements de sécurité et des instructions peut entraîner une décharge électrique, un incendie et/ou des blessures graves. Veuillez conserver les avertissements de sécurité et les instructions pour consultation ultérieure.

Cet appareil peut être utilisé par des enfants âgés de 8 ans et plus et par des personnes aux capacités physiques, sensorielles ou mentales réduites, ou qui manquent d'expérience et de connaissance, à condition qu'ils soient supervisés ou qu'ils aient été formés sur la façon sûre d'utiliser l'appareil et qu'ils comprennent les risques encourus. Les enfants ne doivent pas jouer avec l'appareil. Le nettoyage et les opérations de maintenance à réaliser par l'utilisateur ne doivent pas être exécutés par des enfants sans surveillance.

Les symboles suivants sont utilisés dans le manuel d'utilisation ou apposés sur le produit:



Lisez le manuel d'utilisation.



Indique un risque de blessure, de décès ou de détérioration de l'outil en cas de non-respect des consignes de ce manuel.



Veillez à ce que les personnes à proximité ne puissent pas être blessées par la projection de corps étrangers.



Avertissement : Veillez à conserver une certaine distance de sécurité quand vous utilisez le produit.



Éteignez la machine et débranchez la prise de courant avant d'effectuer toute opération de réglage ou de nettoyage ou si le câble s'emmêle et avant de laisser la machine sans surveillance, même brièvement. Veillez à garder le cordon d'alimentation loin du fil de coupe.



Veillez à ce que les personnes à proximité ne puissent pas être blessées par la projection de corps étrangers. Avertissement : Veillez à conserver une certaine distance de sécurité quand vous utilisez la machine.



Risque de décharge électrique.



Portez des protections auditives.



Portez toujours des lunettes de protection!



Portez des gants de sécurité.



Veillez à porter des chaussures de sécurité.



N'exposez pas la machine à la pluie.



Contrôlez soigneusement l'absence d'animaux, domestiques ou non, dans la zone où sera utilisée la machine. Les animaux pourraient être blessés par la machine en service. Contrôlez parfaitement la zone de travail et retirez-en toutes les pierres, les bâtons, les fils métalliques, les os et les corps étrangers. En utilisant la machine, veillez à ce qu'il n'y ait aucun animal ou petite souche d'arbre cachés dans les herbes denses.



Machine de classe II - Double isolation - Vous n'avez pas besoin de prise avec mise à la terre.



Le produit est conforme aux normes de sécurité des directives européennes en vigueur.



Valeur garantie selon la directive bruit: LwA 96dB (A)

### CONSIGNES GÉNÉRALES DE SÉCURITÉ

**AVERTISSEMENT! Veuillez lire l'intégralité des avertissements de sécurité et des instructions.** Le nonrespect de toutes les instructions indiquées cidessous peut entraîner un risque de choc électrique, d'incendie et/ou de blessures graves.



### Conservez ces instructions.

Le terme "appareil électrique" mentionné dans tous les avertissements ci-dessous se rapporte à un appareil électrique qui se branche au réseau électrique (grâce à un câble d'alimentation) ou à un appareil électrique (sans fil) fonctionnant grâce à une batterie.

#### 1) Espace de travail

- a) **Veillez toujours à garder votre espace de travail propre et bien éclairé.** Les espaces mal rangés et sombres peuvent être la cause d'accidents.
- b) **N'utilisez pas les appareils électriques dans des environnements susceptibles d'explosion, par exemple en présence de liquides inflammables, de gaz ou de particules.** Les appareils électriques provoquent des étincelles qui peuvent enflammer les particules des émanations.
- c) **Veillez à garder éloignés les enfants et les personnes se trouvant dans votre voisinage, lors de l'utilisation d'un appareil électrique.** Les distractions peuvent vous faire perdre le contrôle de l'appareil.

#### 2) Mesures de sécurité électriques

- a) **Les prises des appareils électriques doivent être raccordées à la prise murale correspondante. Ne modifiez jamais la prise de l'appareil, de quelque façon que ce soit. N'utilisez pas d'adaptateurs qui mettent les appareils électriques à la terre (mise à la masse).** Des prises non modifiées et branchées à la prise murale correspondante réduiront les risques de choc électrique.
- b) **Évitez le contact direct avec les surfaces mises à la terre ou mises à la masse comme les canalisations, les radiateurs, les cuisinières et les réfrigérateurs.** En effet, le risque de choc électrique s'accroit si votre corps est mis à la terre ou à la masse.
- c) **N'utilisez pas d'outils électriques dans des environnements pluvieux ou humides.** Si de l'eau s'introduit dans un appareil électrique, le risque de choc électrique augmentera.
- d) **N'utilisez pas le câble de manière abusive. N'utilisez jamais le câble pour transporter, tirer ou débrancher l'appareil électrique. Veillez à garder le câble éloigné des sources de chaleur, des huiles, des rebords coupants ou des pièces actionnées.** Les câbles endommagés ou entremêlés augmentent le risque de choc électrique.

- e) **Lorsque un appareil est utilisé à l'extérieur, utilisez uniquement un câble prolongateur prévu à cet effet.** L'utilisation d'un câble à usage extérieur réduit le risque de choc électrique.
- f) **Si vous êtes contraint d'utiliser un outil électrique dans un environnement humide, utilisez une alimentation protégée par un dispositif à courant résiduel (RCD).** L'utilisation d'un RCD réduit le risque de décharge électrique.

#### 3) Sécurité personnelle

- a) **Restez vigilant, gardez un œil sur ce que vous faites et utilisez votre sens commun lors de l'utilisation d'un appareil électrique. N'utilisez pas un appareil électrique si vous êtes fatigué ou si vous êtes sous l'influence de drogues, d'alcool ou si vous prenez des médicaments.** Un moment d'inattention lors de l'utilisation des appareils électriques peut entraîner des blessures graves.
- b) **Utilisez un équipement de protection personnelle. Protégez-vous toujours les yeux.** Les équipements de protection, tels qu'un masque à poussière, des chaussures antidérapantes, des protections auditives ou un casque de sécurité, utilisés dans de bonnes conditions, réduiront le risque de blessures.
- c) **Prévenez tout démarrage involontaire. Assurez-vous que l'interrupteur est sur la position "arrêt avant de brancher l'appareil.** En effet, le transport des appareils électriques en gardant vos doigts sur l'interrupteur, ou le branchement de ces appareils en ayant l'interrupteur sur "marche accidents.
- d) **Retirez les clés de réglage ou les clés de vis de réglage avant d'allumer l'appareil électrique.** Une clé de vis de réglage ou une clé, laissée sur une pièce en mouvement de l'appareil électrique, peut entraîner des lésions corporelles.
- e) **Ne pas se précipiter. Gardez toujours vos pieds à plat et gardez votre équilibre.** Ceci permet de mieux contrôler l'appareil électrique dans des situations imprévues.
- f) **Habillez-vous convenablement. Ne portez pas de vêtements lâches ou de bijoux. Gardez vos cheveux, vêtements et gants éloignés des pièces actionnées.** En effet, ces derniers peuvent être pris dans les pièces en action.
- g) **Si les appareils sont fournis pour la connexion des équipements d'évacuation et de récupération de la poussière, assurez-vous que ces derniers soient correctement connectés**

**et utilisés.** L'utilisation de ces appareils peut réduire les risques liés à la poussière.

- h) **Ne pensez pas être familiarisé avec l'outil après l'avoir utilisé à de nombreuses reprises, au point de ne plus rester vigilant et d'en oublier les consignes de sécurité.** Toute action imprudente peut engendrer de graves blessures en une fraction de seconde.
- 4) **Utilisation et entretien d'un appareil électrique**
- a) **Ne forcez pas l'appareil électrique. Utilisez l'appareil électrique adéquat pour votre application.** Un appareil électrique correctement choisi assurera un meilleur travail et un travail sans danger, au rythme auquel il a été conçu.
- b) **N'utilisez pas l'appareil électrique si l'interrupteur marche/arrêt ne fonctionne pas.** Un appareil électrique qui ne peut pas être commandé par l'interrupteur de contrôle est dangereux et doit être réparé.
- c) **Débranchez la prise du bloc d'alimentation avant d'effectuer des réglages, de changer des accessoires, ou de ranger les appareils électriques.** Ces mesures de sécurité préventives réduiront le risque de démarrage involontaire de l'appareil électrique.
- d) **Rangez les appareils électriques arrêtés hors de la portée des enfants et ne laissez aucune personne, non familiarisée avec l'outil ou ces instructions, utiliser l'appareil électrique.** Les appareils électriques sont dangereux entre les mains d'utilisateurs non formés.
- e) **Entretenez les appareils électriques. Vérifiez tout défaut d'alignement et l'enchaînement des pièces actionnées, la rupture de ces dernières, et les autres conditions qui peuvent affecter le fonctionnement des appareils électriques. En cas de dommages, faites réparer l'appareil électrique avant de le réutiliser.** Nombreux sont les accidents provoqués par des appareils électriques mal entretenus.
- f) **Veillez à garder les outils coupants aiguisés et propres.** Des outils coupants correctement entretenus avec des lames aiguisées sont moins susceptibles de se bloquer et sont plus faciles à contrôler.
- g) **Utilisez l'appareil électrique, les accessoires et les embouts, etc., conformément à ces instructions et de la manière prévue pour le type spécifique de l'appareil électrique, en prenant en compte les conditions de travail et**

**le travail à effectuer.** L'utilisation de l'appareil électrique dans des applications différentes de celles prévues peut entraîner des situations dangereuses.

- h) **Gardez les poignées et les surfaces de préhension sèches, propres et exemptes d'huile et de graisse.** Des poignées et des surfaces de préhension glissantes ne permettent pas de manipuler et de contrôler l'outil correctement en cas de situations inattendues.
- h) **Gardez les poignées et les surfaces de préhension sèches, propres et exemptes d'huile et de graisse.** Des poignées et des surfaces de préhension glissantes ne permettent pas de manipuler et de contrôler l'outil correctement en cas de situations inattendues.
- 5) **Maintenance**
- a) **L'entretien de votre outil électrique doit être confié à un réparateur qualifié qui utilise uniquement des pièces de rechange identiques aux pièces d'origine.** Cela permet d'assurer la sécurité de l'outil électrique.

#### **CONSIGNES DE SÉCURITÉ SUPPLÉMENTAIRES PROPRES AUX COUPE-BORDURES**

- Gardez la zone de travail propre et ordonnée.
- Évitez d'utiliser le coupe-bordure sous la pluie ou dans les environnements mouillés et particulièrement en cas d'orage.
- Ne travaillez que de jour ou un excellent éclairage artificiel.
- N'utilisez pas vos outils électriques dans des endroits présentant des risques d'incendie ou d'explosion, à proximité de liquides ou de gaz inflammables par exemple. Les outils électriques génèrent des étincelles qui peuvent enflammer les poussières et les fumées.
- Ne faites jamais fonctionner le produit si vous êtes fatigué, malade ou sous l'influence d'alcool, de drogue ou de médicaments.
- Veillez à toujours porter des pantalons à jambes longues, des bottes et des gants. Veillez à ne jamais porter de vêtements amples, de bijoux, de shorts, de sandales et à ne jamais travailler pieds nus.
- Veillez à porter des protections oculaires et auditives pour utiliser la machine
- Gardez les pieds bien ancrés au sol et conservez votre équilibre. Ne vous penchez pas.
- Ne laissez jamais les enfants et les personnes

ne connaissant pas ces instructions utiliser le coupe-bordure. Il se peut que la réglementation locale impose des restrictions quant à l'âge de l'utilisateur. Lorsqu'il n'est pas utilisé, rangez le coupe-bordure hors de portée des enfants.

- Ne travaillez jamais avec le coupe-bordure si des personnes, et particulièrement des enfants ou des animaux, sont à proximité
- Ne placez pas vos mains et vos pieds près du système de coupe.
- N'installez jamais aucun élément de coupe métallique sur ce coupe-bordure.
- Veillez à inspecter et à entretenir le coupe-bordure régulièrement.
- Ne faites jamais fonctionner le coupe-bordure si l'un de ses carters de protection ou déflecteurs est manquant, cassé ou mal positionné.
- Avant d'utiliser la machine ou après un choc, contrôlez l'absence de signes d'usure ou de dommages et faites effectuer les réparations nécessaires.
- Patientez que la bobine de fil se soit complètement immobilisée avant de la toucher. Le fil continue à tourner après l'extinction du coupe-bordure et il peut provoquer des blessures.
- Le fait d'utiliser le coupe-bordure dans de l'herbe mouillée réduit son efficacité.
- Éteignez le coupe-bordure pour le transporter d'une zone de travail à une autre.
- Ne démarrez le moteur que si vos pieds et vos mains sont loin des organes de coupe.
- Ne faites réparer le coupe-bordure que par des prestataires de services agréés.
- Veillez à ce que les fentes d'aération restent exemptes de débris
- Veillez à ranger la machine dans un endroit sûr, sec et hors de portée des enfants. Ne posez aucun autre objet sur le dessus de la machine
- Ne faites pas fonctionner la machine sans que la bobine de fil ne soit installée
- Ne forcez pas sur la machine. Laissez-la fonctionner à la cadence pour laquelle elle a été conçue.
- Nous conseillons fortement d'utiliser un disjoncteur différentiel à courant résiduel (DDR) de 30 mA au maximum sur la prise, pour utiliser cet appareil.
- Ne laissez pas le cordon électrique courir sur ou à travers des objets tranchants qui pourraient endommager la gaine isolante. Procédez à l'inspection visuelle du cordon électrique avant chaque utilisation et, s'il est endommagé,

faites-le remplacer dans un centre d'assistance spécialisé. N'utilisez pas l'appareil si son cordon est endommagé.

- Si vous endommagez le cordon pendant l'utilisation, débranchez-le immédiatement de l'alimentation électrique. **NE TOUCHEZ PAS LE CÂBLE AVANT DE L'AVOIR DÉBRANCHÉ DE L'ALIMENTATION ÉLECTRIQUE.** N'utilisez pas l'appareil si son cordon ou la rallonge électrique sont endommagés.
- Gardez la rallonge électrique à l'écart des organes de coupe.
- Assurez-vous toujours que tous les carters de protection sont correctement installés avant d'utiliser l'outil.
- Contrôlez l'absence de dommages sur le câble avant de commencer à travailler et remplacez-le si nécessaire.
- Veillez à inspecter et à entretenir le coupe-bordure régulièrement. Ne faites réparer le coupe-bordure que par un réparateur agréé.
- Débranchez la prise de courant avant d'entreprendre toute opération de maintenance.



*Danger ! Après l'avoir éteint, attendez que la machine et sa bobine soient parfaitement immobiles avant de reposer la machine.*

- Débranchez toujours le coupe-bordure du secteur quand vous le laissez sans surveillance.
- Après avoir étiré le fil de coupe ou avoir remplacé la bobine de fil. Remplacez toujours le coupe-bordure dans la position d'origine avant de le mettre en marche.
- Inspectez régulièrement l'état de la tête de coupe. Si la bobine est endommagée, éteignez la machine, débranchez la prise de courant et remplacez la bobine.
- N'utilisez pas la machine pour couper de l'herbe qui ne serait pas au sol. Par exemple, ne coupez l'herbe sur les murs et les pierres.
- Ne traversez pas de routes ou les chemins gravillonnés quand la machine est allumée.
- N'utilisez la machine que conformément aux instructions fournies dans cette notice.
- N'étirez pas le fil de coupe au-delà du carter et ne faites pas fonctionner le coupe-bordure sans que les bouts de fils ne soient sortis et sans que le fil ne soit correctement installé.
- Contrôlez régulièrement que les écrous, les boulons et les vis sont correctement serrés.

**Sécurité électrique**

Vérifiez si la tension d'alimentation électrique correspond bien à celle de la plaque signalétique.

Type X : Si le cordon d'alimentation est endommagé, il doit être remplacé par un cordon spécial, disponible auprès du fabricant ou de l'un de ses prestataires de service.

Type Y : Si le cordon d'alimentation est endommagé, il doit être remplacé par le fabricant ou l'un de ses prestataires de service ou par une personne de même qualification, afin d'éviter tout risque.

- N'utilisez pas la machine si le câble secteur ou la fiche secteur est endommagé.
- Utilisez uniquement des rallonges adaptées à la puissance nominale de la machine et d'une section minimum de 1.5 mm<sup>2</sup>. Si vous utilisez une bobine de rallonge, déroulez toujours complètement le câble.

**2. INFORMATIONS RELATIVES A LA MACHINE****Utilisation prévue**

Ce coupe-bordure a été conçu pour un usage à l'extérieur, pour couper l'herbe et la pelouse dans les jardins des particuliers et des jardiniers amateurs. Le produit est destiné à couper l'herbe, les mauvaises herbes fines et toute autre végétation similaire au niveau du sol. Le coupe-bordure ne doit pas être utilisé pour tailler des haies, des buissons ou d'autres végétaux ne se trouvant pas au niveau du sol. N'utilisez pas le coupe-bordure pour broyer les végétaux ou en faire du compost. N'utilisez pas cette machine sous la pluie.

**SPECIFICATIONS TECHNIQUES**

N° de modèle	GT502AC
Tension	230V
Fréquence	50Hz
Vitesse à vide	11.500/min
Diamètre de coupe	230 mm
Système de coupe	Bobine à deux fils, Avance par contact, Ø1,2mm x 4m
Poids	1,26 kg

Niveau de pression acoustique L <sub>PA</sub>	80 dB(A) K=3 dB(A)
Niveau d'intensité acoustique L <sub>WA</sub>	89,4 dB(A) K=1,96 dB(A)
Valeurs de vibrations	≤2,5 m/s <sup>2</sup> K=1,1 m/s <sup>2</sup>

Valeur garantie selon la directive bruit: L<sub>WA</sub> 96db (A)

**Niveau de vibrations**

Le niveau des vibrations émises, indiqué dans ce manuel, a été mesuré conformément à la procédure décrite par la norme EN 60335-1 et EN 50636-2-91. Il peut être utilisé pour comparer deux outils ou pour réaliser une estimation préalable de l'exposition aux vibrations lors de l'utilisation de l'outil pour les applications mentionnées.

- L'utilisation de l'outil dans d'autres applications ou avec des accessoires différents ou mal entretenus peut considérablement augmenter le niveau d'exposition.
- La mise hors tension de l'outil et sa non-utilisation pendant qu'il est allumé peuvent considérablement réduire le niveau d'exposition.

Protégez-vous contre les effets des vibrations par un entretien correct de l'outil et de ses accessoires, en vous échauffant les mains et en organisant vos rythmes de travail.

**DESCRIPTION**

Les numéros dans le texte se rapportent aux schémas des pages 2-5.

1. Poignée
2. Interrupteur Marche/Arrêt
3. Crochet pour câble
4. Poignée avant
5. Câble électrique
6. Boîtier supérieur
7. Boîtier inférieur
8. Carter de protection
9. Ensemble Bobine
10. Vis Boîtier
11. Vis Carter de protection
12. Encoche
13. Lame
14. Cache-bobine
15. Bobine de fil
16. Ressort
17. Porte-bobine

### 3. MONTAGE



*Des coupures sont possibles en cas de démarrage accidentel. Avant d'assembler l'équipement, veillez à ce que le câble d'alimentation soit bien débranché.*

#### Assembler le boîtier (Fig. A, B, C)

1. Insérez le boîtier inférieur (7) dans le boîtier supérieur (6), comme illustré par la figure B. Veillez à ce que le câble ne soit surtendu ou coincé.
2. Fixez les deux parties du boîtier à l'aide des vis (10), comme illustré par la figure C. Utilisez une vis de chaque côté du boîtier.

#### Installer le carter de protection (Fig. A, D)

1. Installez le carter de protection (8) sur le boîtier inférieur (7) en commençant par placer le carter dans l'encoche (12), puis en tirant le carter vers le haut.
2. Fixez ensuite le carter de protection à l'aide de la vis (11). La figure D montre un carter de protection correctement installé.

#### Remplacer la bobine de fil (Fig. F1)



*Supprimez toutes les saletés de la machine avant de remplacer la bobine.*

- Retirez le cache-bobine (14) en appuyant sur les deux boutons de chaque côté.
- Sortez la bobine (15) en veillant à laisser le ressort (16) à l'intérieur.
- Prenez la bobine neuve (GT802AA) et placez-la par-dessus le ressort (16). Veillez à ce que les fils passent par les trous à l'intérieur du porte-bobine (17).
- Refermez la bobine neuve avec le cache-bobine (14) et veillez à ce que les boutons du cache-bobine (14) soient correctement alignés avec les trous à l'intérieur du porte-bobine (17).

### 4. FONCTIONNEMENT

#### Utiliser le système d'avance du fil par frappe au sol (Fig. A, D)

Pour permettre au système d'avance par contact (Tap and Go) de fonctionner, le cache en plastique devant la lame (13) dans le carter de protection (8) doit être retiré.



*Ne touchez pas la lame (13) dans le carter de protection (8) pour ne pas vous blesser.*

- Lorsque le fil devient trop court, allumez la machine et appuyez le sommet du rouleau de la bobine (15) sur le sol (assurez-vous de la faire sur une surface dure).
- Cela permet de libérer du fil pour le rallonger.
- Le fil est automatiquement coupe à la bonne longueur par la lame qui se trouve sur le carter de protection (13).

#### Utiliser le fixe-câble (Fig. A, E)

Pour sécuriser le maintien de la prise dans la rallonge électrique, faites une boucle avec la rallonge et fixez-la sur le crochet pour câble comme illustré (voir Fig. E). Une fois fixé, branchez le cordon dans la prise. Cela permet d'éviter tout débranchement accidentel.

#### Utiliser le coupe-bordure



*Avant chaque utilisation, contrôlez toujours que la machine et ses pièces sont correctement installées et qu'elles ne sont ni usées, ni endommagées.*

Tenez la machine par le haut de la poignée (1) et la poignée avant (4), de sorte que la tête du coupe-bordure soit légèrement incliné vers l'avant. Veillez à ce que le fil ne touche pas d'objets durs comme des murs, des pierres ou des clôtures afin qu'il ne s'emmêle pas et ne casse pas.

#### Mise en marche et extinction (Fig. A)

- Pour mettre le coupe-bordure en marche, appuyez sur le l'interrupteur Marche/Arrêt (2).
- Pour l'éteindre, relâchez simplement l'interrupteur Marche/Arrêt (2).

### 5. ENTRETIEN



*Assurez-vous que la machine n'est pas sous tension si vous allez procéder à des travaux d'entretien dans son système mécanique.*

Les machines ont été conçues pour fonctionner longtemps avec un minimum d'entretien. Le fonctionnement continu et satisfaisant de la machine dépend de son bon entretien et de son nettoyage régulier.

- Éteignez la machine et débranchez la prise avant de nettoyer et de ranger la machine.
- La machine n'a pas besoin d'être lubrifiée.
- Nettoyez le boîtier et les autres pièces avec un détergent neutre et un chiffon humide.
- N'utilisez jamais de détergent agressif ni de solvants.
- Évitez toute pénétration d'eau dans la machine.
- Ne laissez le coupe-bordure au sol trop longtemps car cela pourrait déformer le carter de protection et engendrer un risque pour la sécurité. Suspendez le en hauteur par la poignée supérieure

### Nettoyage

Nettoyez régulièrement le boîtier de la machine avec un chiffon doux et de préférence après chaque utilisation. Gardez les fentes d'aération exemptes de poussière et de saleté. Si la saleté ne part pas, utilisez un chiffon doux humidifié avec de l'eau savonneuse. N'utilisez jamais de solvants comme l'essence, l'alcool, l'ammoniaque, etc. Ces solvants peuvent endommager les pièces en plastique.

## ENVIRONNEMENT



*Les équipements électroniques ou électriques défectueux ou destinés à être mis au rebut doivent être déposés aux points de recyclage appropriés.*

### Uniquement pour les pays de l'UE

Ne jetez pas les outils électriques avec les déchets domestiques. Selon la Directive européenne 2012/19/CE relative aux déchets d'équipements électriques et électroniques et sa mise en oeuvre dans le droit national, les outils électriques hors d'usage doivent être collectés séparément et mis au rebut de manière écologique.

## GARANTIE

Les produits VONROC sont développés aux plus hauts standards de qualité et ils sont garantis contre les défauts de pièces et de main d'oeuvre pendant la durée légale stipulée à partir de la date d'achat d'origine du produit. En cas d'une quelconque panne du produit pendant cette durée qui serait due à un défaut matériel et/ou de main d'oeuvre, contactez directement VONROC.

Les circonstances suivantes ne sont pas prises en charge par la garantie:

- Des réparations ou altérations ont été effectuées ou tentées sur la machine par un centre de réparation non agréé.
- L'usure normale.
- L'outil a été maltraité, mal utilisé ou mal entretenu.
- Des pièces détachées non d'origine ont été utilisées.

Ceci constitue l'unique garantie accordée par la société explicitement ou implicitement. Il n'existe aucune autre garantie, explicite ou implicite, qui peut s'étendre au delà du contenu ici présent, y compris les garanties marchandes ou d'adaptation à des fins particulières. En aucun cas VONROC ne sera tenu responsable de dommages accidentels ou consécutifs. Les solutions proposées par les revendeurs devront se limiter à la réparation ou le remplacement des éléments ou pièces non conformes.

**Le produit et le manuel d'utilisation sont sujets à modifications. Les spécifications peuvent changer sans préavis.**

## 1. INSTRUCCIONES DE SEGURIDAD

Lea las advertencias de seguridad, las advertencias de seguridad adicionales y las instrucciones adjuntas. De no respetarse las advertencias de seguridad y las instrucciones, podrían producirse descargas eléctricas, incendios y/o lesiones graves. Conserve las advertencias de seguridad y las instrucciones para su posterior consulta.

Este aparato puede ser utilizado por niños a partir de 8 años de edad y por personas con capacidades físicas, sensoriales o mentales reducidas o que carezcan de experiencia y conocimientos, si están supervisadas o capacitadas sobre el uso del aparato de modo seguro y si comprenden los peligros que supone. Los niños no deben jugar con el aparato. La limpieza y el mantenimiento de usuario no deben ser efectuados por niños, sin supervisión.

Los siguientes símbolos se utilizan en el manual de usuario o en el producto:



Lea el manual de usuario.



Denota riesgo de lesiones personales, pérdida de vida o daños a la herramienta en caso de incumplimiento de las instrucciones del presente manual.



Asegúrese de que las personas que se encuentren cerca no resulten lesionadas por la proyección de objetos extraños.



Advertencia: Manténgase a una distancia segura del producto cuando lo use.



Apague y desenchufe el aparato de jardín de la red eléctrica antes de ajustarlo o limpiarlo o si el cable está enredado, y antes de dejarlo sin vigilancia durante algún tiempo. Mantenga el cable flexible de alimentación alejado de la línea de corte.



Asegúrese de que las personas que se encuentren cerca no resulten lesionadas por la proyección de objetos extraños. Advertencia: Manténgase a una distancia segura de la máquina cuando la utilice.



Riesgo de descarga eléctrica.



Use protectores auditivos.



!Use siempre protectores oculares!



Use guantes de seguridad.



Use botas de protección.



No exponer a la lluvia.



Controle con cuidado la zona en la que vaya a utilizar la herramienta para asegurarse de que no haya animales silvestres ni mascotas. Los animales silvestres y las mascotas pueden resultar lesionados durante el funcionamiento de la máquina. Controle minuciosamente la zona de trabajo y retire las piedras, palos, cables, huesos y objetos extraños que pudiese haber. Cuando utilice la máquina, compruebe que no haya animales silvestres, mascotas o pequeños tocones de árboles escondidos en la hierba densa.



Máquina de clase II - Doble aislamiento - No necesita enchufe con puesta a tierra.



El producto es conforme a las normas de seguridad aplicables según las directivas europeas.



Nivel de potencia sonora garantizado  
LWA = 96 dB(A)

### INSTRUCCIONES GENERALES DE SEGURIDAD



**PRECAUCIÓN! Lea todas las advertencias de seguridad y todas las instrucciones.**  
Si no lo hace, el uso indebido puede acarrear cortocircuitos, fuego o lesiones graves.

#### Conserve estas instrucciones.

El término "herramienta eléctrica", en todas las advertencias enumeradas a continuación se refiere a su herramienta eléctrica (i nalmábrica) que funciona con una batería o a través de la red eléctrica.

#### 1) Área de trabajo

a) Trabaje en un lugar limpio y bien iluminado. Lugares no iluminados o sucios propician accidentes.



- b) **No use herramientas eléctricas donde haya riesgo de fuego o explosión, p.ej: cerca de líquidos o gases inflamables, polvo etc.** Las herramientas eléctricas producen chispas que pueden producir la ignición de partículas de humo.
- c) **Mantenga a los niños y otras personas alejados mientras utiliza la herramienta eléctrica.** Las distracciones pueden hacer que pierda el control de la herramienta.
- 2) Seguridad eléctrica**
- a) **Cerciórese de que las clavijas de la herramienta eléctrica están correctamente enchufadas. Nunca modifique la clavija. No utilice ningún adaptador para la clavija de una herramienta eléctrica con conexión a tierra.** Las clavijas que no se hayan cambiado y los enchufes adecuados reducen el riesgo de cortocircuitos.
- b) **Evite el contacto humano con superficies con conexiones a tierra como tubos metálicos, conductos, tubos de la calefacción, radiadores y refrigeradores.** El riesgo de cortocircuitos es mayor cuando el cuerpo está en contacto con el suelo.
- c) **No use herramientas eléctricas bajo la lluvia o en entornos húmedos.** Si entra agua en una herramienta eléctrica aumenta el riesgo de cortocircuito.
- d) **No utilice el cable para todo. Nunca utilice el cable para mover la máquina, empujarla o sacar la clavija del enchufe. Mantenga el cable alejado del calor, aceite, zonas cortantes o piezas en movimiento.** Los cables dañados o enredados aumentan el riesgo de cortocircuito.
- e) **Use un cable alargador impermeable adecuado para exteriores cuando trabaje con la herramienta eléctrica al aire libre.** El riesgo de cortocircuito es menor si utiliza un cable alargador adecuado para exteriores.
- f) **Si no se puede evitar el uso de la herramienta eléctrica en un lugar húmedo, use suministro protegido mediante dispositivo diferencial residual (DDR).** El uso de un DDR reduce el riesgo de choque eléctrico.
- h) **No permita que la familiaridad adquirida con el uso frecuente de las herramientas le haga confiarse e ignorar los principios de seguridad de las herramientas.** Una acción descuidada puede causar lesiones graves en una fracción de segundo.
- 3) Seguridad personal**
- a) **No se descuide, preste atención a lo que está haciendo y utilice el sentido común mientras trabaje con esta herramienta. No use herramientas eléctricas cuando esté cansado o esté bajo los efectos del alcohol, las drogas o los medicamentos.** Un momento de distracción, mientras utilice la herramienta eléctrica, puede provocar lesiones personales graves.
- b) **Use equipo de protección individual. Use siempre gafas protectoras.** El uso en condiciones apropiadas del equipo de seguridad como por ejemplo: mascarilla antipolvo, zapatos antideslizantes de seguridad, casco o protección para los oídos, disminuye el riesgo de sufrir lesiones personales.
- c) **Evite arranques involuntarios. Asegúrese de que el interruptor está en la posición de apagado antes de conectarlo a la fuente de electricidad.** Transportar herramientas eléctricas con el dedo puesto sobre el interruptor o enchufarlas con el interruptor encendido puede causar accidentes.
- d) **Quite cualquier llave de ajuste antes de encender la herramienta eléctrica.** Una llave olvidada junto a una pieza móvil de la herramienta eléctrica puede provocar lesiones personales graves.
- e) **No se estire demasiado. Mantenga siempre el equilibrio y tenga los pies en el suelo.** Esto permite un mayor control de la herramienta eléctrica en situaciones inesperadas.
- f) **Vístase apropiadamente. No lleve prendas holgadas o joyas. Mantenga su pelo, ropa y guantes alejados de las piezas móviles.** Las prendas holgadas, las joyas y el pelo largo pueden quedar atrapados en las piezas móviles.
- g) **Si se han suministrado dispositivos para la extracción y recogida de polvo asegúrese de que estos estén conectados y se utilicen correctamente.** El uso de estos dispositivos puede reducir los riesgos relacionados con el polvo.
- h) **Mantenga las asas y las superficies de agarre secas, limpias y libres de aceite y grasa.** Las asas y las superficies de agarre resbaladizas no permiten un manejo y control seguros de la herramienta en situaciones inesperadas.
- 4) Utilización y cuidados de la herramienta eléctrica**
- a) **No fuerce la herramienta eléctrica. Utilice la herramienta eléctrica adecuada para el trabajo que vaya a realizar.** Una herramienta eléctrica apropiada realizará un trabajo mejor y más seguro si se utiliza para el objetivo con el que



ha sido diseñada.

- b) **No use herramientas que no pueden encenderse o apagarse con el interruptor.** Las herramientas que ya no se puedan encender y apagar son peligrosas y deben repararse.
- c) **Desenchufe la clavija de la toma de electricidad antes de realizar modificaciones, cambiar accesorios o guardar las herramientas eléctricas.** Tales medidas de seguridad preventivas reducen el riesgo de la puesta en marcha accidental.
- d) **Mantenga a los niños alejados de una herramienta eléctrica sin utilizar y no permita a personas que no estén familiarizadas con la máquina o estas instrucciones utilizar la herramienta.** La herramienta eléctrica puede ser peligrosa cuando la utilicen personas sin experiencia.
- e) **Conserve sus herramientas cuidadosamente. Verifique cualquier desalineación o agarrotamiento de piezas móviles, piezas dañadas y cualquier otra causa, que pudiera repercutir en el buen funcionamiento de la herramienta eléctrica. Si la herramienta está estropeada, repárela antes de utilizarla.** Muchos de los accidentes están causados por un mantenimiento insuficiente del equipo eléctrico.
- f) **Mantenga las herramientas de corte limpias y afiladas.** Sierras con esquinas cortantes con un buen mantenimiento se bloquean menos y son más fáciles de controlar.
- g) **Utilice la herramienta eléctrica, accesorios y brocas etc. Siguiendo las instrucciones atendiendo al tipo de herramienta eléctrica y tenga en cuenta las condiciones de trabajo y el tipo de trabajo que se va a realizar.** Puede ser peligroso realizar trabajos con la herramienta diferentes de aquellos para los que está diseñada.

## 5) Servicio

- a) **Haga reparar su herramienta eléctrica por una persona cualificada, usando solo piezas de repuesto idénticas.** Esto garantiza que se mantenga la seguridad de la herramienta eléctrica.

## INSTRUCCIONES DE SEGURIDAD ADICIONALES PARA DESBROZADORAS

- Mantenga la zona de trabajo limpia y ordenada.
- Evite usar la desbrozadora si llueve o hay mucha humedad y, especialmente, en caso de riesgo de rayos.
- Trabaje solo con luz diurna o con una buena luz artificial.
- No use herramientas eléctricas si hay riesgo de explosión o incendio, p. ej., cerca de líquidos o gases inflamables. Las herramientas eléctricas generan chispas, que pueden encender el polvo o los humos.
- Nunca utilice el producto si está cansado, enfermo o bajo los efectos de alcohol, drogas o medicamentos.
- Lleve siempre pantalones largos y pesados, botas y guantes. No use ropa suelta, joyas, pantalones cortos ni sandalias, y nunca trabaje descalzo.
- Use protección ocular de seguridad y protectores auditivos cuando utilice la máquina.
- Mantenga una posición firme y equilibrada. No se estire demasiado.
- Nunca permita que niños o personas que no estén familiarizadas con estas instrucciones usen la desbrozadora. Las normas locales pueden restringir la edad del operador. Cuando no use la desbrozadora, guárdela fuera del alcance de los niños.
- Nunca trabaje con la desbrozadora si hay personas, especialmente niños, o mascotas cerca.
- No ponga las manos o los pies cerca del sistema de corte.
- Nunca trabaje con elementos metálicos cortantes en esta desbrozadora.
- Efectúe periódicamente controles y el mantenimiento de la desbrozadora.
- Nunca use la desbrozadora si le faltan las protecciones o pantallas o si las tiene rotas, o si no tiene las protecciones o las pantallas en su posición.
- Antes de usar la máquina después de que haya recibido un golpe, compruebe si tiene signos de desgaste o daños y, si es necesario, repárela.
- Espere a que la línea del carrete se haya detenido completamente antes de tocarla. La línea del carrete sigue girando después de apagar la desbrozadora, y el hilo al girar puede causar lesiones.
- Utilizar la desbrozadora en el pasto mojado disminuye la eficiencia de las prestaciones.
- Apague la desbrozadora cuando la desplace desde y hacia la zona de trabajo.
- Encienda el motor solo cuando tenga las manos y los pies alejados de los elementos de corte.
- Haga reparar la desbrozadora solo por un agente autorizado de servicio al cliente.
- Compruebe siempre que las ranuras de ventila-

ción estén libres de residuos.

- Guarde la máquina en un lugar seguro y seco alejado del alcance de los niños. No coloque otros objetos encima de la máquina.
- No utilice la máquina sin el accesorio del hilo instalado.
- No fuerce el aparato; deje que funcione a la velocidad para la que ha sido diseñado.
- Recomendamos encarecidamente el uso de un DDR (dispositivo diferencial residual) de no más de 30 mA en la toma de corriente cuando use este aparato.
- No deje el cable de alimentación apoyado sobre objetos afilados ni deje que atraviese tales objetos pues estos pueden perforar el aislamiento exterior. Realice una inspección visual del cable de alimentación antes de usarlo y, si está dañado, hágalo cambiar en un centro de servicio especializado. No use el aparato si el cable está dañado.
- Si el cable se daña durante el uso, desconéctelo inmediatamente de la red eléctrica. **NO TOQUE EL CABLE ANTES DE DESCONECTARLO DE LA ALIMENTACIÓN.** No utilice el aparato si el cable del aparato o el cable prolongador está dañado.
- Mantenga el cable prolongador alejado de los elementos cortantes.
- Compruebe siempre que los protectores estén colocados cuando utilice la herramienta.
- Compruebe si el cable está dañado antes de empezar a trabajar y, si es necesario, sustitúyalo.
- Efectúe periódicamente controles y el mantenimiento de la desbrozadora. Lleve a reparar la desbrozadora únicamente a un taller autorizado.
- Quite el enchufe de la toma de la pared antes de intentar hacer alguna operación de mantenimiento.



*¡Peligro! Cuando apague la máquina, espere a que se detenga completamente la máquina y el carrete antes de dejar la máquina apoyada.*

- Desconecte siempre la desbrozadora de la red eléctrica cuando la deje sin vigilancia.
- Después de extender una nueva línea de corte o sustituir el carrete de hilo. Vuelva a colocar siempre la desbrozadora en su posición normal de funcionamiento antes de encenderla.
- Inspeccione periódicamente el estado del cabezal de corte. Si la bobina está dañada, apague

la desbrozadora, desenchúfela de la toma de corriente y sustituya el carrete.

- No utilice la máquina para cortar hierba que no esté en el suelo. Por ejemplo, no corte la hierba que esté sobre paredes o rocas.
- No cruce calles ni caminos de grava con la máquina en marcha.
- Utilice la máquina únicamente de acuerdo con las instrucciones de este manual.
- No extienda la línea de corte superando el protector y no use la desbrozadora si ambas líneas no están extendidas y con la línea adecuada instalada.
- Compruebe periódicamente que las tuercas, pernos y tornillos estén apretados.

### Seguridad eléctrica



*Compruebe siempre que la tensión del suministro eléctrico corresponda con la tensión de la placa de características.*

tipo X: Si el cable de alimentación se daña, debe ser sustituido con un cable especial o con el juego que vende el fabricante o su centro de servicios.

tipo Y: Si el cable de alimentación se daña, debe ser sustituido por el fabricante, sus centros de servicios u otras personas con cualificación similar, para evitar peligros.

- No utilice la máquina si el cable o el enchufe eléctrico han sufrido daños.
- Utilice únicamente cables alargadores que sean adecuados para la potencia nominal de la máquina con un grosor mínimo de 1.5 mm<sup>2</sup>. Si utiliza un cable alargador en rollo, desenrolle totalmente el cable.

## 2. INFORMACION DE LA MAQUINA

### Uso previsto

Esta desbrozadora ha sido concebida para usar en exteriores, para recortar y cortar hierba y césped en jardines privados y de aficionados. El producto ha sido diseñado para cortar hierba, maleza ligera y otra vegetación similar al nivel del suelo o cerca de él. La desbrozadora no debe usarse para cortar o recortar setos, arbustos u otra vegetación en la que el plano de corte no esté al nivel de la superficie del suelo o cerca de él. No utilice la desbrozadora para triturar o hacer compost. No use esta máquina bajo la lluvia.

## ESPECIFICACIONES TÉCNICAS

Modelo n.º	GT502AC
Voltaje	230V
Frecuencia	50Hz
Velocidad sin carga	11.500/min
Diámetro de corte	230 mm
Sistema de corte	Carrete de 2 líneas de hilo, Tap and Go Ø 1,2 mm x 4 m
Peso	1,26 kg
Nivel de presión acústica $L_{pA}$	80 dB(A) K=3 dB(A)
Nivel de potencia acústica $L_{WA}$	89,4 dB(A) K=1,96 dB(A)
Valor de vibración	≤2,5 m/s <sup>2</sup> K=1,1 m/s <sup>2</sup>

Valor garantizado según la directiva de ruido:  
LwA 96db (A)

### Nivel de vibración

El nivel de emisión de vibraciones indicado en este manual de instrucciones ha sido medido según una prueba estándar proporcionada en EN 60335-1 y EN 50636-2-91 puede utilizarse para comparar una herramienta con otra y como valoración preliminar de la exposición a las vibraciones al utilizar la herramienta con las aplicaciones mencionadas.

- al utilizarla para distintas aplicaciones o con accesorios diferentes o con un mantenimiento deficiente, podría aumentar de forma notable el nivel de exposición.
- en las ocasiones en que se apaga la herramienta o cuando está funcionando pero no está realizando ningún trabajo, se podría reducir el nivel de exposición de forma importante.

Protéjase contra los efectos de la vibración realizando el mantenimiento de la herramienta y sus accesorios, manteniendo sus manos calientes y organizando sus patrones de trabajo.

## DESCRIPCIÓN

Los números del texto se refieren a los diagramas de las páginas 2-5.

- Mango
- Interruptor de encendido/apagado
- Gancho para el cable
- Empuñadura delantera
- Cable de alimentación

- Carcasa superior
- Carcasa inferior
- Protector de seguridad
- Conjunto del carrete
- Tornillo de la carcasa
- Tornillo del protector de seguridad
- Muesca
- Hoja
- Tapa del carrete
- Carrete de hilo
- Muelle
- Portacarrete

## 3. MONTAJE



*Riesgo de lesiones por corte cuando la unidad se pone en marcha accidentalmente. Antes de montar la unidad, compruebe que el cable de alimentación esté desconectado.*

### Montaje de la carcasa (Fig. A, B, C)

- Introduzca la carcasa inferior (7) en la carcasa superior (6), como se muestra en la figura B. Compruebe que el cable no quede estirado o atrapado al hacer esta operación.
- Fije ambas partes de la carcasa con los tornillos de la carcasa (10), como se muestra en la figura C. Use un tornillo a ambos lados de la carcasa.

### Montaje del protector de seguridad (Fig. A, D)

- Coloque el protector de seguridad (8) en la carcasa inferior (7) introduciendo primero el protector en la muesca (12) y tirándolo después hacia arriba.
- Después fije el protector con el tornillo del protector de seguridad (11). En la figura D se muestra un protector montado correctamente.

### Sustitución del carrete (Fig. F1)



*Antes de sustituir el carrete, limpie la máquina de toda suciedad.*

- Retire la tapa del carrete (14) pulsando los dos botones situados a cada lado de la tapa del carrete.
- Saque el carrete (15), pero deje el resorte (16) dentro.
- Coloque el nuevo carrete (GT802AA) y sobre el resorte (16). Compruebe que los hilos pasen

- por los orificios interiores del portacarrete (17).
- Tape el nuevo carrete con la tapa del carrete (14) y compruebe que los botones de la tapa del carrete (14) queden correctamente alineados con los agujeros del interior del portacarrete (17).

## 4. MANEJO

### Usar el sistema "tap and go" (Fig. A, D)

Para habilitar el sistema "tap and go", hay que sacar la tapa de plástico situada delante de la hoja (13) en el protector de seguridad (8).



*No toque la hoja (13) en el protector de seguridad (8), para evitar lesiones.*

- Si el cable es demasiado corto, encienda la máquina y presione la punta del carrete (15) en el suelo (asegurese de hacerlo en una superficie dura).
- Esto liberará el hilo para alargarlo.
- El cable será cortado a la longitud correcta automáticamente por la cuchilla montada en el protector. (13).

### Trabado del cable (Fig. A, E)

Para ayudar a fijar el enchufe al cable prolongador, haga un bucle en el cable prolongador y sujételo al gancho del cable como se muestra (consulte la Fig. E). Una vez sujetado, conecte el cable al enchufe. Esto evitará que se produzca un "desenchufe" accidental.

### Uso de la desbrozadora



*Antes del uso, compruebe siempre visualmente que la máquina y sus piezas estén montadas correctamente y que no estén desgastadas ni dañadas.*

Sujete la unidad por la parte superior de la empuñadura (1) y por la empuñadura delantera (4), para que el cabezal de corte quede un poco inclinado hacia delante. Asegúrese de que el filamento no toque objetos duros como paredes, piedras y vallas para evitar que el filamento se sude o se rompa.

### Encendido y apagado (Fig. A)

- Para encender la desbrozadora, pulse el interruptor de encendido/apagado (2).

- Para apagarla, simplemente suelte el interruptor de encendido/apagado (2).

## 5. MANTENIMIENTO



*Antes de cualquier trabajo de mantenimiento o limpieza saque siempre el enchufe de la caja de corriente (enchufe de pared). No utilice nunca agua u otros líquidos para limpiar las partes eléctricas de su pulidora.*

Estas máquinas han sido diseñadas para funcionar durante un largo período de tiempo con un mantenimiento mínimo. El funcionamiento continuo satisfactorio depende del cuidado adecuado y la limpieza periódica de la máquina.

- Apague la máquina y desenchúfela antes de limpiarla y guardarla.
- La máquina no requiere lubricación adicional.
- Limpie la carcasa y otras piezas con un limpiador suave y un paño húmedo.
- No utilice nunca limpiadores agresivos ni disolventes.
- Evite que entre agua en la máquina.
- No deje la desbrozadora apoyada en el suelo durante largos periodos de tiempo pues se podría alterar la forma del protector y ello causaría un riesgo para la seguridad. Cuélgala por encima del suelo por la empuñadura superior

### Limpieza

Limpie periódicamente la carcasa de la máquina con un paño suave, preferentemente después de cada uso. Mantenga las ranuras de ventilación libres de polvo y suciedad. Si no puede eliminar la suciedad, use un paño suave humedecido en agua con jabón. Nunca use disolventes tales como gasolina, alcohol, amoníaco, etc. Estos disolventes pueden dañar las piezas plásticas.

## MEDIOAMBIENTE



*Los aparatos eléctricos o electrónicos defectuosos y/o desechados deben recogerse en lugares de reciclado apropiado.*

### Solo para países de la Comunidad Europea

No elimine las herramientas eléctricas como residuos domésticos. De acuerdo con la Directiva europea 2012/19/CE sobre residuos de aparatos

eléctricos y electrónicos, y su transposición a las legislaciones nacionales, las herramientas eléctricas que ya no se utilizan deben recogerse por separado y eliminarse en modo ecológico.

## CONDICIONES DE GARANTÍA

Los productos VONROC han sido desarrollados con los más altos estándares de calidad y VONROC garantiza que están exentos de defectos relacionados con los materiales y la fabricación durante el periodo legalmente estipulado, a contar desde la fecha de compra original. En caso de que el producto presente defectos relacionados con los materiales y/o la fabricación durante este periodo, póngase directamente en contacto VONROC.

La presente garantía se excluye en los siguientes casos:

- Si centros de servicios no autorizados han realizado o han intentado realizar reparaciones y/o alteraciones a la máquina.
- Si se ha producido un desgaste normal.
- Si la herramienta ha sido mal tratada o usada en modo impropio, o se ha realizado incorrectamente su mantenimiento.
- Si se han utilizado piezas de repuesto no originales.

La presente constituye la única garantía implícita y explícita que ofrece la compañía. No existen otras garantías explícitas o implícitas que excedan las citadas aquí, incluidas las garantías implícitas de comerciabilidad e idoneidad para una finalidad en especial. VONROC no será considerada responsable en ningún caso por daños incidentales o consecuentes. Los recursos a disposición de los distribuidores se limitan a la reparación o a la sustitución de las unidades o piezas no conformes.

**El producto y el manual de usuario están sujetos a variaciones. Las especificaciones pueden variarse sin previo aviso.**

## 1. ISTRUZIONI DI SICUREZZA

Leggere accuratamente gli avvisi di sicurezza, gli avvisi di sicurezza aggiuntivi e le istruzioni. La mancata osservanza degli avvisi di sicurezza e delle istruzioni potrebbe causare scosse elettriche, incendio e/o gravi lesioni. Mantenere gli avvisi di sicurezza e le istruzioni a portata di mano per future consultazioni.

Questa apparecchiatura può essere utilizzata da bambini da 8 anni nonché da persone con capacità fisiche, sensoriali o mentali o da mancanza di esperienza, se si trovano sotto sorveglianza istruzione in merito all'uso dell'apparecchiatura in modo sicuro e comprendono i rischi del caso. Accertarsi che i bambini non giochino con l'apparecchiatura. La pulizia e la manutenzione utente non deve essere eseguita da bambini senza supervisione.

I seguenti simboli sono utilizzati nel presente manuale utente o sul prodotto:



*Leggere il manuale per l'utente.*



*Denota il rischio di lesioni personali, morte o danni all'utensile in caso di mancata osservanza delle istruzioni contenute nel presente manuale.*



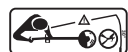
*Assicurarsi che eventuali oggetti estranei scagliati via non feriscano le persone che si trovano nelle vicinanze.*



*Avvertenza: mantenersi a distanza di sicurezza dall'elettro utensile mentre è in funzione.*



*Spegnere l'elettro utensile e staccare la spina dalla presa di corrente prima di regolarlo e pulirlo o se il cavo è impigliato e prima di lasciarlo incustodito per un determinato periodo. Mantenere il cavo di alimentazione flessibile lontano dal filo di taglio.*



*Assicurarsi che eventuali oggetti estranei scagliati via non feriscano le persone che si trovano nelle vicinanze. Avvertenza: mantenersi a distanza di sicurezza dall'elettro utensile mentre è in funzione.*



Rischio di scosse elettriche.



Indossare protezioni per l'udito.



Indossare sempre occhiali protettivi!



Indossare guanti di protezione.



Indossare scarponcini antinfortunistici.



Non esporre alla pioggia.



Ispezionare attentamente l'area in cui viene utilizzato l'elettrotensile in modo da escludere la presenza di fauna selvatica e animali domestici, che potrebbero rimanere feriti mentre la macchina è in funzione. Controllare accuratamente l'area di lavoro e rimuovere eventuali pietre, bastoni, fili metallici, ossa e oggetti estranei presenti. Durante l'utilizzo dell'elettrotensile, assicurarsi che nell'erba fitta non siano nascosti animali selvatici, animali domestici o piccoli ceppi d'albero.



Apparecchio di Classe II - Doppio isolamento - Non è necessario il collegamento a terra.



Il prodotto è conforme alle norme di sicurezza applicabili ai sensi delle direttive europee vigenti.



Livello di potenza sonora garantito  
LWA = 96 dB(A)

## REGOLE GENERALI DI SICUREZZA



**ATTENZIONE! Leggere tutte le avvertenze di sicurezza e tutte le istruzioni.** Se non si seguono tutte le istruzioni sotto elencate, si può incorrere in uno shock elettrico, in un incendio e/o in lesioni serie.

### Conservare queste istruzioni.

Il termine "arnese elettrico" in tutti gli avvertimenti sotto elencati si riferisce al vostro arnese elettrico che funziona a corrente (con filo) o ad un arnese che funziona a pile (senza filo).

#### 1) Area di lavoro

- a) **Mantenere l'area di lavoro pulita e ben illuminata.**  
Aree buie e disordinate favoriscono gli incidenti.

- b) **Non usare arnesi elettrici in atmosfere esplosive, come vicino ai liquidi infiammabili, gas o polveri.** Gli arnesi elettrici creano scintille che possono incendiare la polvere dei vapori.
- c) **Tenere lontani bambini e altre persone mentre si accende l'arnese elettrico.** Le distrazioni possono farvi perdere il controllo.

#### 2) Sicurezza elettrica

- a) **Le spine dell'arnese elettrico devono andare bene per la presa di corrente. Non modificare mai la spina in alcun modo. Non usare alcun adattatore con arnesi elettrici a terra (messo a terra).** Spine non modificate che vanno bene per le prese di corrente ridurranno il rischio di shock elettrico.
- b) **Evitare il contatto corporeo con superfici a terra come tubature, radiatori, fornelli e refrigeratori.** C'è un rischio maggiore di shock elettrico se il vostro corpo è a terra.
- c) **Non esporre arnesi elettrici alla pioggia o a condizioni di umidità.** Se dell'acqua penetra nell'arnese elettrico aumenterà il rischio di shock elettrico.
- d) **Non abusare del filo. Non usare mai il filo per trasportare, spingere o staccare dalla presa l'arnese elettrico. Tenere il filo lontano da calore, olio, bordi taglienti o parti mobili.** Fili danneggiati o aggrovigliati aumentano il rischio di shock elettrico.
- e) **Quando si accende un arnese elettrico all'aperto, usare una prolunga adatta a tale uso.** Usare un filo adatto all'uso all'aperto ridurrà il rischio di shock elettrico.
- f) **Se non è possibile evitare l'uso di un elettrotensile in ambiente umido, usare una rete di alimentazione protetta da un interruttore differenziale (salvavita).** L'uso di un salvavita riduce il rischio di scosse elettriche.

#### 3) Sicurezza personale

- a) **Stare vigili e attento quando si accende un arnese elettrico. Non usare un arnese elettrico mentre si è stanco o sotto l'effetto di droghe, alcool o medicinali.** Un momento di disattenzione mentre si accendono arnesi elettrici può causare delle gravi lesioni personali.
- b) **Usare dispositivi di protezione individuale. Indossare sempre una protezione per gli occhi.** Dispositivi di sicurezza come mascherina per la polvere, scarpe di sicurezza antiscivolo, casco, o protezioni per le orecchie usate nelle appropriate

condizioni, ridurranno le lesioni personali.

- c) **Prevenire l'avvio accidentale. Assicurarsi che l'interruttore sia spento prima di collegarsi.**  
Trasportare elettrotensili tenendo il dito sull'interruttore di accensione o dare corrente ad elettrotensili con l'interruttore acceso può dare luogo a incidenti.
- d) **Rimuovere ogni chiave regolatrice o chiave per dadi prima di accendere l'arnese elettrico.** Una chiave per dadi o una chiave lasciata attaccata ad una parte rotante dell'arnese elettrico può provocare lesioni personali.
- e) **Cercare di mantenere l'equilibrio. Mantenere sempre un punto d'appoggio appropriato.** Questo consente un controllo migliore dell'arnese elettrico in situazioni inaspettate.
- f) **Vestirsi adeguatamente. Non indossare vestiti larghi o gioielli. Tenere lontano capelli, vestiti e guanti dalle parti mobili.** Vestiti larghi, gioielli o capelli lunghi possono essere presi nelle parti mobili.
- g) **Se vengono forniti dispositivi per la connessione dell'estrazione della polvere e attrezzature di raccolta, assicurarsi che questi siano collegati e usati correttamente.** L'uso di questi dispositivi può ridurre i rischi correlati alla polvere.
- h) **Non lasciare che la confidenza acquisita dall'uso frequente induca l'utilizzatore ad assumere comportamenti imprudenti e a ignorare i principi di sicurezza per l'utensile.** Una semplice distrazione può provocare gravi lesioni personali in una frazione di secondo.

#### 4) Uso e manutenzione dell'arnese elettrico

- a) **Non forzare l'arnese elettrico. Usare l'arnese elettrico corretto per il vostro impiego.** L'arnese elettrico corretto farà il lavoro meglio e in maniera più sicura alla velocità per la quale è stato progettato.
- b) **Non usare l'arnese elettrico se l'interruttore non si accende o non si spegne.** Ogni arnese elettrico che non può essere controllato con l'interruttore è pericoloso e deve essere riparato.
- c) **Scollegare la spina dalla sorgente di elettricità prima di fare qualsiasi regolazione, cambiare gli accessori, o conservare arnesi elettrici.** Tali misure di sicurezza preventive riducono il rischio di accendere l'arnese elettrico accidentalmente.
- d) **Conservare gli arnesi elettrici inattivi fuori dalla portata dei bambini e non permettere a persone che non hanno confidenza con l'arnese elettrico o**

**con queste istruzioni di usare l'arnese elettrico.** Gli arnesi elettrici sono pericolosi per utenti inesperti.

- e) **Mantenere gli arnesi elettrici. Controllare il non allineamento o l'attacco di parti mobili, la rottura di parti ed ogni altra condizione che può influire sul funzionamento degli arnesi elettrici. Se è danneggiato, far riparare l'arnese elettrico prima dell'uso.** Molti incidenti sono causati da arnesi elettrici mantenuti male.
- f) **Mantenere gli arnesi da taglio affilati e puliti.** È meno probabile che si attacchino degli arnesi da taglio mantenuti correttamente con tagli affilate e questi sono anche più facili da controllare.
- g) **Usare l'arnese elettrico, gli accessori e le parti dell'arnese ecc, secondo queste istruzioni e nel modo pensato per il particolare tipo di arnese elettrico, tenendo conto delle condizioni di lavoro e del lavoro da svolgere.** L'uso dell'arnese elettrico per operazioni diverse da quelle pensate potrebbe causare situazioni pericolose.
- h) **Mantenere le impugnature e le superfici di presa asciutte, pulite e libere da olio e grasso.** Impugnature e superfici di presa scivolose non consentono di maneggiare e controllare in sicurezza l'utensile in situazioni impreviste.
- 5) **Riparazione**
- a) **L'assistenza per l'elettrotensile deve essere prestata da un tecnico qualificato che utilizzi soltanto ricambi originali.** In questo modo viene garantita la sicurezza dell'elettrotensile.

#### ISTRUZIONI DI SICUREZZA AGGIUNTIVE PER I DECESPUGLIATORI

- Mantenere l'area di lavoro pulita e ordinata.
- Evitare di utilizzare il decespugliatore in caso di pioggia o in ambienti umidi, in particolare quando vi è il rischio di fulmini.
- Usare il decespugliatore solo alla luce del giorno o in condizioni di buona illuminazione artificiale
- Non utilizzare gli elettrotensili in ambienti in cui sussista il rischio di incendio o esplosione, come ad esempio in prossimità di liquidi o gas infiammabili. Gli elettrotensili generano scintille che potrebbero incendiare polvere o fumi.
- Non mettere mai in funzione l'elettrotensile se si è stanchi, ammalati o sotto l'effetto di alcol, sostanze stupefacenti o farmaci.
- Indossare sempre pantaloni lunghi, scarponcini e guanti. Non indossare indumenti larghi, gioiell-



- li, pantaloncini o sandali e non lavorare mai a piedi nudi.
- Indossare dispositivi di protezione acustiche e per gli occhi ogni volta che si utilizza il decespugliatore.
  - Mantenere sempre un equilibrio saldo. Non sporgersi troppo.
  - Non consentire mai l'uso del decespugliatore a bambini o persone inesperte o che non abbiano letto queste istruzioni. Le normative vigenti a livello locale potrebbero imporre un limite di età per l'utilizzatore. Quando il decespugliatore non viene usato, custodirlo fuori dalla portata dei bambini.
  - Non utilizzare mai il decespugliatore in presenza di persone (in particolare bambini) o animali domestici nelle vicinanze.
  - Non mettere mani o piedi vicino al sistema di taglio.
  - Non montare mai elementi di taglio di metallo su questo decespugliatore.
  - Ispezionare e sottoporre regolarmente il decespugliatore a manutenzione.
  - Non utilizzare mai il decespugliatore con protezioni o schermi danneggiati o smontati.
  - Prima di usare il decespugliatore e dopo un eventuale urto, controllare che non presenti segni di usura o danni e, se necessario, provvedere alla riparazione.
  - Attendere l'arresto completo del filo nella bobina prima di toccarlo. Dopo lo spegnimento del decespugliatore il filo nella bobina continua a girare, con la possibilità di provocare lesioni alle persone.
  - L'impiego del decespugliatore per tagliare erba bagnata comporta una riduzione della sua efficienza prestazionale.
  - Spegnerne il decespugliatore durante il trasporto da e verso l'area di lavoro.
  - Accendere il motore solo se mani e piedi sono lontani dagli elementi di taglio.
  - Fare riparare il decespugliatore solo da un tecnico dell'assistenza autorizzato.
  - Verificare sempre che le prese d'aria siano mantenute pulite e libere da detriti.
  - Conservare il decespugliatore in un luogo asciutto, lontano dalla portata dei bambini. Non appoggiare oggetti sul decespugliatore.
  - Non azionare il decespugliatore con l'accessorio con il filo di taglio smontato.
  - Non forzare l'elettrotensile. Farlo funzionare alla velocità per cui è stato concepito.
  - Durante l'uso del decespugliatore consigliamo vivamente di utilizzare un interruttore differenziale salvavita (RCD) con una corrente di intervento non superiore a 30 mA.
  - Evitare di posare il cavo di alimentazione su oggetti affilati che potrebbero perforare l'isolamento esterno. Ispezionare visivamente il cavo di alimentazione prima dell'uso e, se dovesse essere danneggiato, farlo sostituire presso un centro di assistenza specializzato. Non utilizzare l'elettrotensile se il cavo di alimentazione è danneggiato.
  - Se il cavo di alimentazione dovesse danneggiarsi durante l'uso, scollegare immediatamente la spina dalla presa elettrica. **NON TOCCARE IL CAVO PRIMA DI SCOLLEGARE L'ALIMENTAZIONE.** Non utilizzare l'elettrotensile se il rispettivo cavo di alimentazione o il cavo di prolunga è danneggiato.
  - Tenere il cavo di alimentazione a distanza dagli elementi di taglio.
  - Quando si usa l'elettrotensile controllare sempre che tutte le protezioni siano montate.
  - Prima di iniziare a lavorare, controllare se il cavo di alimentazione è danneggiato e sostituirlo se necessario.
  - Ispezionare e sottoporre regolarmente il decespugliatore a manutenzione. Far riparare il decespugliatore solo presso un'officina autorizzata.
  - Scollegare la spina dalla presa di corrente prima di eseguire qualsiasi operazione di manutenzione.



*Pericolo! Dopo avere spento l'elettrotensile, attendere che si arresti completamente prima di appoggiarlo.*

- Scollegare sempre il decespugliatore dalla presa di corrente quando rimane incustodito.
- Dopo aver srotolato una nuova lunghezza di filo di taglio o sostituito il filo nella bobina, riportare sempre il decespugliatore nella posizione di funzionamento normale prima di accenderlo.
- Ispezionare periodicamente la condizione della testa di taglio. Se la bobina è danneggiata, spegnere il decespugliatore, staccare la spina dalla presa di corrente e sostituire la bobina.
- Non utilizzare il decespugliatore per tagliare l'erba il cui piano di taglio non si trovi a livello o vicino alla superficie del suolo, come l'erba



cresciuta su rocce o muri.

- Non attraversare strade o vialetti ghiaiosi con il decespugliatore in funzione.
- Utilizzare l'elettrotensile secondo le istruzioni riportate in questo manuale.
- Non fare scorrere il filo di taglio oltre la protezione e non mettere in funzione il decespugliatore se entrambi i fili non sono tirati e se non è installato il filo di taglio corretto.
- Verificare regolarmente che i dadi, i bulloni e le viti siano serrati a fondo.

### Sicurezza elettrica



*Controllare sempre che la tensione di alimentazione corrisponda alla tensione indicata sulla targhetta delle caratteristiche.*

Tipo X: se il cavo di alimentazione è danneggiato, deve essere sostituito con un cavo o un gruppo speciale, reperibili presso il costruttore o un suo rappresentante addetto all'assistenza.

Tipo Y: se il cavo di alimentazione è danneggiato, deve essere sostituito dal costruttore, da un suo rappresentante addetto all'assistenza o da altre persone con qualifica simile al fine di evitare rischi per la sicurezza.

- Non utilizzare l'elettrotensile quando il cavo o la spina di alimentazione sono danneggiati.
- Utilizzare esclusivamente cavi di prolunga idonei per la potenza nominale dell'elettrotensile, con conduttori di sezione minima di 1.5 mm<sup>2</sup>. Quando si utilizza un cavo di prolunga con avvolgicavo, svolgere sempre completamente il cavo.

## 2. INFORMAZIONI RELATIVE ALL'ELETTROTENSILE

### Uso previsto

Questo decespugliatore è destinato all'uso all'aperto, per tagliare l'erba e il prato in giardini privati e per hobby. Il prodotto è concepito per tagliare l'erba, le erbacce leggere e altra vegetazione simile a livello o in prossimità del suolo. Non utilizzare il decespugliatore per tagliare o rifinire siepi, cespugli o altra vegetazione il cui piano di taglio non si trovi a livello o vicino alla superficie del suolo. Non utilizzare il decespugliatore per tritare l'erba o per la produzione di compost. Non utilizzare questo elettrotensile sotto la pioggia.

### DATI TECNICI

<b>Numero modello</b>	<b>GT502AC</b>
Tensione	230V
Frequenza	50Hz
Velocità a vuoto	11.500/min
Diametro del tagliafilo	230 mm
Sistema di taglio	Bobina filo di taglio a 2 fili, "Tap and go" Ø 1,2 mm x 4 m
Peso	1,26 kg
Livello pressione sonora L <sub>PA</sub>	80 dB(A) K=3 dB(A)
Livello potenza sonora L <sub>WA</sub>	89,4 dB(A) K=1,96 dB(A)
Valore vibrazioni	≤2,5 m/s <sup>2</sup> K=1,1 m/s <sup>2</sup>

*Valore garantito secondo la direttiva sul rumore: L<sub>WA</sub> 96db (A)*

### Livello delle vibrazioni

Il livello di emissione delle vibrazioni indicato sul retro di questo manuale di istruzioni è stato misurato in conformità a un test standardizzato stabilito dalla norma EN 60335-1 e EN 50636-2-91 questo valore può essere utilizzato per mettere a confronto un l'utensile con un altro o come valutazione preliminare di esposizione alla vibrazione quando si impiega l'utensile per le applicazioni menzionate.

- se si utilizza l'utensile per applicazioni diverse, oppure con accessori differenti o in scarse condizioni, il livello di esposizione potrebbe aumentare notevolmente.
- i momenti in cui l'utensile è spento oppure è in funzione ma non viene effettivamente utilizzato per il lavoro, possono contribuire a ridurre il livello di esposizione.

Protegersi dagli effetti della vibrazione effettuando la manutenzione dell'utensile e dei relativi accessori, mantenendo le mani calde e organizzando i metodi di lavoro.

### DESCRIZIONE

I numeri che compaiono nel testo si riferiscono agli schemi riportati alle pagine 2-5.

1. Manico
2. Interruttore di accensione/spengimento
3. Gancio bloccacavo
4. Impugnatura anteriore

5. Cavo di alimentazione
6. Parte superiore alloggiamento testa di taglio
7. Parte inferiore alloggiamento testa di taglio
8. Protezione
9. Gruppo bobina
10. Vite di fissaggio alloggiamento testa di taglio
11. Vite di fissaggio calotta di protezione
12. Tacca
13. Lama
14. Coperchio bobina
15. Bobina di filo
16. Molla
17. Porta-bobina

### 3. MONTAGGIO



*Pericolo di ferite da taglio in caso di avvio accidentale dell'unità. Prima di assemblare l'unità, assicurarsi che il cavo di alimentazione sia scollegato dalla presa di corrente.*

#### Assemblaggio dell'alloggiamento della testa di taglio (Fig. A, B, C)

1. Inserire la parte inferiore dell'alloggiamento della testa di taglio (7) nella parte superiore dell'alloggiamento della testa di taglio (6), come illustrato nella Figura B, assicurandosi che il cavo non sia teso o rimanga impigliato durante l'operazione.
2. Fissare entrambe le parti dell'alloggiamento della testa di taglio con le apposite viti di fissaggio (10), come illustrato nella Figura C. Inserire una vite su entrambi i lati dell'alloggiamento della testa di taglio.

#### Montaggio della calotta di protezione (Fig. A, D)

1. Appoggiare la calotta di protezione (8) sulla parte inferiore dell'alloggiamento (7), inserendo prima la calotta nella tacca (12) e successivamente tirando la calotta verso l'alto.
2. A questo punto fissare la calotta di protezione con la rispettiva vite di fissaggio (11). La Figura D mostra una calotta di protezione montata correttamente.

#### Sostituzione della bobina di filo (Fig. F1)



*Prima di sostituire la bobina, pulire l'elettrotensile eliminando l'eventuale sporcizia.*

- Rimuovere il coperchio della bobina (14) premendo i due tasti su ciascun lato del coperchio.
- Estrarre la bobina (15), lasciando però la molla (16) all'interno.
- Prendere la nuova bobina (GT802AA) e posizionarla sopra la molla (16). Assicurarsi che i fili passino attraverso i fori all'interno del porta-bobina (17).
- Coprire la nuova bobina con il coperchio bobina (14), assicurandosi che i tasti del coperchio bobina (14) siano allineati correttamente con i fori all'interno del porta-bobina (17).

### 4. UTILIZZO

#### Utilizzo del sistema "Tap and Go" (Fig. A, D)

Per abilitare il sistema "Tap and go" occorre rimuovere il coperchio di plastica davanti alla lama (13) nella calotta di protezione (8).



*Non toccare la lama (13) all'interno della calotta di protezione (8) per prevenire lesioni personali.*

- Se il filo di taglio è troppo corto, accendere il decespugliatore e premere la punta della bobina (15) sul terreno (assicurarsi di farlo su una superficie dura).
- In questo modo viene rilasciato il filo, facendolo allungare.
- Il filo sarà tagliato alla lunghezza corretta in automatico tramite la lama montata nella protezione (13).

#### Uso del bloccacavo (Fig. A, E)

Per fissare più agevolmente la spina al cavo di prolunga, realizzare un cappio nel cavo di prolunga e fissarlo al gancio bloccacavo, come mostrato (vedere la Fig. E). Una volta fissato, collegare il cavo alla spina. Questo eviterà che la spina venga staccata accidentalmente.

#### Uso del decespugliatore



*Prima dell'uso, ispezionare sempre visivamente l'elettrotensile e i rispettivi componenti al fine di verificare che siano montati correttamente e non siano usurati o danneggiati.*

Tenere l'unità dalla parte superiore del manico (1) e dall'impugnatura anteriore (4) in modo che la testa di taglio sia inclinata un po' in avanti. Assicurarsi che il filo di taglio non tocchi oggetti duri come muri, pietre o recinzioni, per evitare che il filo si saldi o si spezzi.

#### Accensione e spegnimento (Fig. A)

- Per accendere il decespugliatore, premere l'interruttore di accensione/spegnimento (2).
- Per spegnerlo rilasciare l'interruttore di accensione/spegnimento (2).

## 5. MANUTENZIONE



*Assicurarsi che la macchina non sia in funzione mentre si effettuano operazioni di manutenzione sul motore.*

L'elettrotensile è stato progettato per funzionare per un lungo periodo di tempo con una manutenzione minima. Il funzionamento continuo dell'elettrotensile dipende da una cura corretta e da una regolare pulizia della macchina.

- Prima di pulire e riporre l'elettrotensile, spegnerlo e scollegare la spina dalla presa di corrente.
- Questo elettrotensile non necessita di lubrificazione aggiuntiva.
- Pulire l'alloggiamento della testa di taglio e gli altri componenti con un detersivo non aggressivo e un panno umido. Non utilizzare mai prodotti per la pulizia aggressivi né solventi.
- Fare in modo di evitare che penetrino nell'acqua all'interno della macchina.
- Non lasciare il decespugliatore appoggiato a terra per periodi prolungati, perché la calotta di protezione potrebbe deformarsi, creando un rischio per la sicurezza. Appenderlo sollevato da terra dalla parte superiore del manico.

#### Pulizia

Pulire regolarmente il corpo macchina con un panno morbido, preferibilmente dopo ogni uso. Mantenere le prese d'aria libere da polvere e sporcizia. Se lo sporco non viene via, utilizzare un panno morbido inumidito con acqua e sapone. Non utilizzare solventi come benzina, alcol, ammoniaca, ecc. Questi solventi possono danneggiare i componenti in plastica.

## RISPETTO AMBIENTALE



*Le apparecchiature elettriche o elettroniche difettose e/o scartate devono essere raccolte presso gli opportuni siti di riciclaggio.*

#### Solo per i Paesi CE

Non smaltire gli elettrotensili insieme ai rifiuti domestici. Secondo la Direttiva europea 2012/19/EC sui rifiuti delle apparecchiature elettriche ed elettroniche e relativa implementazione nelle normative locali, gli elettrotensili ormai inutilizzabili devono essere raccolti separatamente e smaltiti in modo ecologico.

## DEFINIZIONI DELLA GARANZIA

I prodotti VONROC sono sviluppati secondo i più elevati standard di qualità e viene garantita l'assenza di difetti nei materiali e nella manodopera per il periodo contrattuale a partire dalla data di acquisto originale. Qualora il prodotto dovesse subire un guasto qualsiasi durante questo periodo a causa di difetti nei materiali e/o nella manodopera, si prega di contattare direttamente il VONROC.

Le seguenti circostanze sono escluse da questa garanzia:

- Riparazioni e/o modifiche alla macchina sono state eseguite o tentate da centri di assistenza non autorizzati.
- Normale usura.
- L'utensile è stato abusato, utilizzato o manuttenuto in modo improprio.
- Sono state utilizzate parti di ricambio non originali

Ciò costituisce l'unica garanzia espressa o implicita fornita dall'azienda. Non esistono altre garanzie espresse o implicite che si estendono oltre il presente documento, ivi comprese le garanzie implicite di commerciabilità e idoneità per uno scopo particolare. In nessun caso VONROC sarà responsabile di eventuali danni incidentali o consequenziali. I rimedi dei rivenditori saranno limitati alla riparazione o sostituzione di unità o parti non conformi.

**Il prodotto e il manuale per l'utente sono soggetti a modifiche. I dati tecnici possono essere modificati senza ulteriore notifica.**

## 1. SÄKERHETSFÖRESKRIFTER

Läs de medföljande säkerhetsvarningarna, de tillkommande säkerhetsvarningarna och anvisningarna. Om inte säkerhetsvarningarna och anvisningarna följs kan detta orsaka elstötar, brand och/eller allvarliga kroppsskador. Behåll säkerhetsvarningarna och anvisningarna för framtida bruk.

Denna apparat kan användas av barn från 8 år och personer med nedsatt fysisk eller psykisk förmåga eller bristande erfarenhet eller kunskap, om de övervakas eller får instruktioner om hur apparaten används på ett säkert sätt och är medvetna om riskerna. Barn får inte leka med apparaten. Rengöring och användarunderhåll ska inte utföras av barn utan övervakning.

Följande symboler används i bruksanvisningen eller på produkten:



Läs igenom bruksanvisningen.



Anger risk för personskada, dödsfall eller skada på verktyget om anvisningarna i denna handbok inte följs.



Se till att åskådare inte skadas av främmande föremål som kastas iväg.



Varning: Håll ett säkert avstånd från produkten vid användning.



Stäng av och ta ut kontakten från elnätet innan du justerar, rengör eller om kabeln trasslar in sig och innan du lämnar trädgårdsverktyget utan uppsikt under någon stund. Håll den flexibla sladden borta från skärlinjen.



Se till att åskådare inte skadas av främmande föremål som kastas iväg. Varning: Håll ett säkert avstånd från maskinen vid användning.



Risk för elstöt.



Använd hörselskydd.



Använd skyddsglasögon.



Använd skyddshandskar.



Använd skyddsskor.



Utsätt den inte för regn.



Kontrollera noggrant området där verktyget ska användas för vilda djur och husdjur. Vilda djur och husdjur kan skadas medan maskinen är i drift. Kontrollera noggrant arbetsområdet och ta bort alla stenar, pinnar, trådar, ben och främmande föremål. När du använder maskinen, se till att inga vilda djur, husdjur eller små trädstubbar gömmer sig i det täta gräset.



Klass II-maskin - dubbel isolering - du behöver ingen jordad kontakt.



Produkten är i överensstämmelse med tillämpliga säkerhetsstandarder i EU-direktiven.



Garanterad ljudeffektnivå LWA = 96 dB(A)

### ALLMÄNNA SÄKERHETSFRSKRIFTER

**Varning! Läs alla säkerhetsvarningar och alla anvisningar.** Om inte alla instruktioner som anges nedan efterföljs kan detta leda till el-stötar, eldsvåda och/eller allvarliga skada.

#### Spara dessa instruktioner.

Termen "elektriskt redskap" i varningarna som anges nedan hänvisar till elektriska verktyg (med sladd, anslutet till el-nätet) eller batteridrivna (sladdlösa) elektriska verktyg.

#### 1) Arbetsutrymme

- Se till att arbetsutrymmet är städat och väl upplyst.** Stökiga och mörka utrymmen ger anledning till olyckor.
- Använd inte elektriska verktyg i explosiv luft, såsom i närheten av lättantändliga vätskor, gaser eller damm.** Elektriska verktyg åstadkommer gnistor som kan sätta eld på damm eller gas.
- Håll barn och obehöriga på avstånd när du använder ett elektriskt verktyg.** Om du blir distraherad kan du tappa kontrollen över verktyget.

## 2) El-säkerhet

- a) **Stickkontakten till elektriska verktyg måste passa el-uttaget. Ändra aldrig på något sätt på stickkontakten. Använd inte adapterkontakter till jordade elektriska verktyg.** Oförändrade stickkontakter och passande uttag minskar risken för el-stötår.
- b) **Undvik kroppskontakt med jordade ytor såsom rör, element, spisar och kylskåp.** Risken för el-stötår är större om din kropp är jordad.
- c) **Låt inte elektriska verktyg utsättas för regn eller våta förhållanden.** Om det kommer in vatten i ett elektriskt verktyg ökar risken för el-stötår.
- d) **Skada inte kabeln. Använd aldrig kabeln för att bära eller dra det elektriska verktyget eller för att dra ut stickkontakten. Håll sladden borta från höga temperaturer, olja, vassa kanter eller rörliga delar.** Skadade eller hoptrasslade kablar ökar risken för el-stötår.
- e) **När du använder ett elektriskt verktyg utomhus måste förlängningskabeln vara lämplig för utomhusbruk.** Om man använder en förlängningskabel för utomhusbruk minskar risken för el-stötår.
- f) **Använd jordfelskydd (RCD) om arbete med ett elverktyg i fuktig miljö är oundvikligt.** Användning av RCD minskar risken för elstötår.

## 3) Personlig säkerhet

- a) **Var uppmärksam, titta på det du håller på med och använd sunt förnuft när du arbetar med ett elektriskt verktyg. Använd inte elektriska verktyg när du är trött eller står under inflytande av droger, alkohol eller mediciner.** Ett ögonblick ouppmärksamhet vid användandet av elektriska verktyg kan leda till allvarliga personskador.
- b) **Använd personlig skyddsutrustning. Bär alltid skyddsglasögon.** Säkerhetsutrustning såsom skyddsmasker, skor med anti-halksula, hjälm eller hörselskydd som används vid rätt omständigheter kommer att minska personskador.
- c) **Förhindra oavsiktlig igångsättning. Se till att strömbrytaren är avslagen innan du sätter stickkontakten i eluttaget.** Om du bär elverktyg med fingret på brytaren eller strömsätter elverktyg vars brytare är aktiverad kan du råka ut för en olycka.
- d) **Ta bort skiftnycklar och skruvnycklar innan ett elektriskt verktyg slås på.** En skift- eller skruvnyckel som lämnas kvar fastsatt vid det elektriska verktygets roterande delar kan leda till personskada.
- e) **Sträck dig inte för långt. Se till att du alltid står**

**stadigt och i balans.** På så sätt har du bättre kontroll över det elektriska verktyget i oväntade situationer.

- f) **Klä dig rätt. Bär inte löst sittande kläder eller smycken. Håll håret, kläder och handskar borta från rörliga delar.** Löst sittande kläder, smycken eller långt hår kan fastna i de rörliga delarna.
  - g) **Om apparater för uppsugning och uppsamling av damm finns tillgängliga, se till att de ansluts och används korrekt.** Om sådana apparater används kan dammrelaterade faror minskas.
  - h) **Låt inte erfarenheten som uppnås vid frekvent användning av verktyg låta dig bli för självsäker och ignorera verktygsäkerhetsprinciperna.** En oförsiktig handling kan orsaka allvarliga skador under bråkdelen av en sekund.
- ## 4) Underhåll av elektriska verktyg
- a) **Överbelasta inte ett elektriskt verktyg. Använd rätt sorts verktyg till det arbete du vill utföra.** Rätt sorts elektriskt verktyg gör arbetet bättre och säkrare i den hastighet det var designat för.
  - b) **Använd inte verktyget om strömbrytaren är trasig.** Om ett elektriskt verktyg inte kan kontrolleras med hjälp av en strömbrytare är det farligt och måste lagas.
  - c) **Koppla loss stickkontakten från verktyget innan du utför några justeringar, byter tillbehör eller förvarar det.** Med dessa preventiva säkerhetsåtgärder minskas risken för att det elektriska verktyget går på av misstag.
  - d) **Förvara elektriska verktyg som inte är i bruk utom räckhåll för barn och låt inte personer som inte känner till verktyget eller dessa instruktioner använda det.** Elektriska verktyg är farliga i händerna på oerfarna användare.
  - e) **Underhåll elektriska verktyg. Kontrollera att alla rörliga delar är i rät linje och fastsatta, att inga delar är trasiga och att de är korrekt monterade. Kontrollera även annat som kan påverka verktygets funktion. Om det elektriska verktyget är trasigt måste det repareras innan det tas i bruk.** Många olyckor förorsakas av dåligt underhållna elektriska verktyg.
  - f) **Håll alltid sågande och skärande verktyg vassa och rena.** Sågande och skärande verktyg med vassa eggår/skär fastnar inte så lätt och är enklare att hålla kontroll över.
  - g) **Använd det elektriska verktyget, dess tillbehör, borrande eller skärande delar etc. enligt dessa instruktioner och på det sätt som det är avsett**

**för. Ta med förutsättningarna och det arbete som ska utföras i beräkningarna.** Att använda ett elektriskt verktyg för andra arbeten än det är avsett för kan resultera i farliga situationer.

- h) **Se till att handtagen är torra, rena och fria från olja och fett.** Hala handtag och grepppytor tillåter inte säker hantering och kontroll av verktyget i oväntade situationer.

## 5) Service

- a) **Låt ditt elverktyg servas av en kvalificerad reparatör och enbart med originalreservdelar.** Detta säkerställer att elverktygets säkerhet upprätthålls.

## YTTERLIGARE SÄKERHETSINSTRUKTIONER FÖR GRÄSTRIMMER

- Håll arbetsområdet rent och städad.
- Undvik att använda trimmern i regn eller blöta miljöer, särskilt när det finns risk för blixtnedslag.
- Använd endast i dagsljus eller bra artificiellt ljus
- Använd inte elverktyg där det finns risk för brand eller explosion - dvs nära brännbara vätskor eller gaser. Elverktyg skapar gnistor som kan antända damm eller ångor.
- Använd aldrig maskinen när du är trött, sjuk eller under påverkan av alkohol eller medicin.
- Bär alltid långa kraftiga byxor, stövlar och handskar. Använd inte lösa kläder, smycken, korta byxor, sandaler och jobba aldrig barfota.
- Använd skyddsglasögon och hörselskydd vid användning av maskinen
- Håll stadigt fotfäste och balans. Böj dig inte för långt.
- Låt aldrig barn eller personer som är obekanta med dessa instruktioner använda trimmern. Det kan finnas lokala bestämmelser om åldersgräns för användaren. När den inte används, förvara trimmern utom räckhåll för barn.
- Använd inte trimmern i närheten av andra, särskilt barn eller husdjur
- Ha inte händer eller fötter i närheten av skärenheten.
- Montera aldrig metallelement på denna trimmer.
- Inspektera och underhåll trimmern regelbundet.
- Använd aldrig trimmern med saknade eller med trasiga skydd eller skärmar eller utan skydd eller skärmar på plats.
- Innan du använder maskinen och efter stötar, kontrollera tecken på slitage eller skada och reparera om nödvändigt
- Vänta tills tråden har stannat helt innan du rör den. Tråden fortsätter att rotera efter att trimmern är avstängd; en roterande tråd kan orsaka skada.
- Att använda trimmern i vått gräs minskar presstandans effektivitet.
- Stäng av när trimmern transporteras till och från området som ska bearbetas.
- Slå bara på motorn när händer och fötter är på avstånd från skärenheten.
- Låt endast trimmern repareras av en auktoriserad servicerepresentant.
- Se alltid till att ventilationsöppningarna hålls fria från skräp.
- Förvara dammsugaren på ett torrt, rent ställe utom räckhåll för barn. Placera inte andra föremål ovanpå maskinen.
- Använd inte maskinen utan kabelfästet monterat.
- Tvinga inte apparaten - låt den arbeta i den takt den är avsedd för.
- Vi rekommenderar starkt att använda en jordfelsbrytare (Residual Current Device) på högst 30 mA vid uttaget när denna apparat används.
- Låt inte elsladden ligga på eller över vassa föremål som kan sticka igenom den yttre isoleringen. Inspektera visuellt elsladden innan användning och, om den är skadad, byt den hos ett specialiserat servicecenter. Använd inte apparaten om sladden är skadad.
- Om sladden skadas under användning, koppla omedelbart ifrån sladden från strömkällan. VIDRÖR INTE SLADDEN INNAN STRÖMFÖRSÖRJNINGEN KOPPLATS BORT. Använd inte apparaten om apparatens sladd eller förlängningssladden är skadad.
- Håll förlängningssladden under från klippelementen.
- De alltid till att skydden är monterade när verktyget används.
- Kontrollera om kabeln har skador innan arbetet börjar och byt om så krävs.
- Inspektera och underhåll trimmern regelbundet. Lämna trimmern för reparation hos en auktoriserad reparatör.
- Ta bort kontakten från strömkällan innan något underhållningsarbete utförs.



**Fara! Stäng av maskinen och vänta tills maskinen står helt still innan du lägger ifrån dig den.**

- Koppla alltid ifrån trimmern från elnätet när den lämnas utan uppsikt.
- Efter att ha förlängt den nya skärlinjen eller bytt ut tråden. Sätt alltid tillbaka trimmern till sitt normala arbetsläge innan du sätter på den.
- Inspektera regelbundet skärhuvudets skick. Om spolen är skadad, stäng av, ta ut kontakten från eluttaget och sätt tillbaka spolen.
- Använd inte maskinen för att klippa gräs som inte växer på marken. Klipp till exempel inte gräs på väggar eller stenar.
- Korska inte vägar eller grusgångar med maskinen igång.
- Använd endast maskinen i enlighet med de instruktionerna som anges i denna manual.
- Förläng inte trimlinjen bortom skyddet och använd inte trimmern utan att båda linjerna är förlängda och att rätt linje är installerad.
- Kontrollera regelbundet att muttrar, bultar, skruvar är åtdragna.

### Elsäkerhet



Kontrollera alltid att strömförsörjningens spänning överensstämmer med spänningen på märkplåten.

typ X: Om en strömsladd är skadad måste den bytas ut mot en specialsladd eller enhet som tillhandahålls av tillverkaren eller dess serviceombud.

typ Y: Om en strömsladd är skadad måste den bytas av tillverkaren, tillverkarens serviceombud eller liknande kvalificerad personal för att undvika fara.

- Använd inte maskinen om nätkabeln eller nätkontakten är skadad.
- Använd endast förlängningskablar som är lämpliga för maskinens effektvärde med ett minimum tjocklek 1,5 mm<sup>2</sup>. Om du använder en förlängningskabelrulle ska du alltid rulla ur kabeln helt.

## 2. MASKININFORMATION

### Avsedd användning

Denna grästrimmer är avsedd för utomhusbruk, för att trimma och klippa gräs och gräsmattor i privata trädgårdar och hobbyträdgårdar. Produkten är avsedd att klippa gräs, lätt ogräs och annan liknande vegetation på eller runt marknivå. Trimmern ska inte användas för att klippa eller trimma häckar,

buskar eller annan vegetation där skärplanet inte befinner sig på eller vid markytan. Använd inte trimmern för att strimla eller göra kompost. Använd inte maskinen i regnväder.

### TEKNISKA SPECIFIKATIONER

Modellnr.	GT502AC
Spänning	230V
Frekvens	50Hz
Varvtal utan belastning	11.500/min
Skärdiameter	230 mm
Skärsystem	2-trådigt trådspole, Tap and go Ø1,2 mm x 4m
Vikt	1,26 kg
Ljudtrycknivå L <sub>PA</sub>	80 dB(A) K=3 dB(A)
Ljudeffektnivå L <sub>WA</sub>	89,4 dB(A) K=1,96 dB(A)
Vibrationsvärde	≤2,5 m/s <sup>2</sup> K=1,1 m/s <sup>2</sup>

Garanterat värde enligt bullerdirektivet: L<sub>WA</sub> 96db(A)

### Vibrationsnivå

Vibrationsemissionsvärdet som står på baksidan av den här instruktionsboken har uppmätts enligt ett standardiserat test i enlighet med EN 60335-1 och EN 50636-2-91; detta värde kan användas för att jämföra vibrationen hos olika verktyg och som en ungefärlig uppskattning av hur stor vibration användaren utsätts för när verktyget används enligt det avsedda syftet:

- om verktyget används på ett annat än det avsedda syftet eller med fel eller dåligt underhållna tillbehör kan detta drastiskt öka vibrationsnivån;
- när verktyget stängs av eller är på men inte används, kan detta avsevärt minska vibrationsnivån.

Skydda dig mot vibration genom att underhålla verktyget och dess tillbehör, hålla händerna varma och styra upp ditt arbetssätt.

### BESKRIVNING

Siffrorna i texten hänvisar till diagrammen på sidorna 2-5.

1. Handtag
2. Strömbrytare
3. Kabelkrok
4. Främre handtag
5. Strömkabel

6. Övre
7. Nedre hus
8. Skyddsvakt
9. Spolenhet
10. Husskruv
11. Bladskydd-skruv
12. Steg
13. Blad
14. Spolskydd
15. Trådspole
16. Fjäder
17. Spolhållare

### 3. MONTERING



*Skärskada när enheten startar av misstag. Se till att nätkabeln är urkopplad innan du monterar enheten.*

#### Montering av huset (fig. A, B, C)

1. Sätt i det nedre huset (7) i det övre huset (6), som visas på bild B. Se till att kabeln inte sträcks eller fastnar när du gör detta.
2. Säkra båda husdelarna med husskruvarna (10), som visas på figur C. Använd en skruv på båda sidor av huset.

#### Montering av säkerhetsskyddet (fig. A, D)

1. Sätt säkerhetsskyddet (8) på det nedre huset (7) genom att först sätta in skyddet i skåran (12) och sedan dra upp skyddet uppåt.
2. Säkra nu säkerhetsskyddet med skyddsskruven (11). Ett korrekt monterat säkerhetsskydd visas på figur D.

#### Byte av trådspole (fig. F1)



*Innan du byter spolen ska du rengöra maskinen från smuts.*

- Ta bort trådspolens skydd (14) genom att trycka på de två knapparna på varje sida av trådspolens skydd.
- Ta ut trådspolen (15) men lämna fjädern (16) inuti.
- Ta den nya trådspolen (GT802AA) och placera den över fjädern (16). Se till att trådarna förs genom hålen inuti spolhållaren (17).
- Täck över den nya trådspolen med trådspolens skydd (14) och se till att knapparna på trådspolens skydd (14) ligger rätt i linje med hålen inuti spolhållaren (17).

## 4. ANVÄNDNING

#### Använda tap and go-systemet (fig. A, D)

För att aktivera tap and go-systemet måste plastkåpan framför bladet (13) i säkerhetsskyddet (8) tas bort.



*Vidrör inte bladet (13) i säkerhetsskyddet (8) för att förhindra skador.*

- När tråden är för kort, slå på maskinen och tryck trådspolens (15) spets på marken (se till att detta görs på en hård yta).
- Detta kommer att släppa ut tråden så den blir längre.
- Tråden klipps av i rätt längd automatiskt av bladet (13) som är monterat i säkerhetsskyddet (8).

#### Använda sladdfästet (fig. A, E)

För att hjälpa till att fästa kontakten till förlängningssladden, gör en ögla på förlängningssladden och fäst den på sladdfästet såsom visas (se fig. E). När den är fäst, anslut sladden till kontakten. Detta kommer att förhindra att den "dras ur" oavsiktligt.

#### Använda trimmern



*Före användning, inspektera alltid maskinen visuellt och dess delar så att de är korrekt monterade, inte slitna eller skadade.*

Håll enheten i den övre delen av handtaget (1) och det främre handtaget (4) så att trimmerhuvudet lutar lite framåt. Se till att glödtråden inte vidrör hårda föremål som väggar, stenar och staket för att förhindra att glödtråden svetsas ihop eller går sönder.

#### Igångsättning och avstängning (fig. A)

- Starta trimmern genom att trycka på strömbrytaren (2).
- Stäng av trimmern genom att släppa strömbrytaren (2).

## 5. UNDERHÅLL



*Tillse att maskinen inte är spänningsföran- de när underhållsarbeten utförs på de mekaniska delarna.*



Maskinen har konstruerats för att arbeta under långa tid med minimalt underhåll. Kontinuerlig och tillfredsställande drift beror på korrekt maskinvård och regelbunden rengöring.

- Stäng av strömmen och dra ur kontakten innan du rengör och förvarar maskinen.
- Maskinen kräver ingen ytterligare smörjning.
- Rengör höljet och andra delar med ett mildt rengöringsmedel och en fuktig trasa.
- Använd aldrig aggressivt rengöringsmedel eller lösningsmedel.
- Förhindra att vatten kommer in i maskinen.
- Låt inte trimmern vila på golvet under längre perioder eftersom det kan orsaka att skyddet deformeras, vilket kan utgöra en säkerhetsrisk. Häng den från golvet med det övre handtaget

### Rengöring

Rengör verktygets hölje regelbundet med en mjuk trasa, helst efter varje användning. Håll ventilationsöppningarna fria från damm och smuts. Om smutsen inte kan fås bort, använd en mjuk trasa doppad i tvålatten. Använd aldrig lösningsmedel som bensin, alkohol, ammoniak, etc. Dessa typer av lösningsmedel kan skada plastdelarna.

### MILJÖ



*Felaktig och/eller kasserad elektrisk eller elektronisk utrustning måste lämnas in på lämpliga återvinningsstationer.*

### Endast för EU-länder

Släng inte elverktyg i hushållsavfallet. Enligt det europeiska WEEE-direktivet 2012/19/EU för avfall från elektrisk och elektronisk utrustning och dess tillämpning nationellt ska elverktyg som inte längre kan användas samlas in separat och kasseras på ett miljövänligt sätt.

### GARANTI

VONROC produkter är utvecklade enligt högsta kvalitetsstandard och garanteras vara utan defekter både vad gäller material och tillverkning under den period som stipuleras enligt lag med början från ursprungligt inköpsdatum. Om något fel uppstår på produkten under denna period på grund av material- och/eller tillverkningsfel skall VONROC kontaktas direkt.

Följande omständigheter exkluderas från denna garanti:

- Reparationer eller ändringar som gjorts eller försökt göras på maskinen av ett icke auktoriserat servicecenter.
- Normalt slitage.
- Verktyget har missbrukats, använts fel eller underhållits på felaktigt sätt.
- Icke-originalreservdelar har använts.

Detta utgör hela garantin från företaget, antingen uttryckt eller underförstått. Det finns inga andra garantier, uttalade eller underförstådda som gäller utöver ordalydelsen härav, häri, inklusive de outtalade garantierna för säljbarhet och lämplighet för ett särskilt syfte. Under inga omständigheter skall VONROC hållas ansvarig för några oförutsedda eller indirekta skador. Återförsäljarens åtgärder skall begränsas till reparation eller byte av felaktiga enheter eller delar.

**Med förbehåll för ändringar i produkten och bruksanvisningen. Specifikationer kan ändras utan förvarning.**

## 1. SIKKERHEDSANVISNINGER

Læs de medfølgende sikkerhedsadvarsler, de supplerende sikkerhedsadvarsler og instruktionerne. Såfremt sikkerhedsadvarsler og instruktioner ikke følges, kan dette medføre elektriske stød, brand og/eller alvorlige ulykker. Gem alle sikkerhedsadvarsler og instruktioner til fremtidig reference.

Dette apparat kan anvendes af børn på 8 år og derover samt af personer med nedsatte fysiske, sensoriske eller mentale evner eller manglende erfaring og viden, hvis de holdes under opsyn eller har fået vejledning i at bruge apparatet på en sikker måde og forstår de dermed forbundne risici. Børn må ikke lege med apparatet. Rengøring og brugervedligeholdelse må ikke udføres af børn uden opsyn.

Følgende symboler anvendes i denne brugermanual eller på produktet:



Læs brugermanualen.



Angiver risiko for personskade, dødsfald eller beskadigelse af varmeren i tilfælde af manglende overholdelse af anvisningerne i denne vejledning.



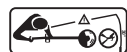
Sørg for, at tilstedeværende ikke kommer til skade på grund af fremmedlegemer, der bliver smidt væk.



Advarsel: Hold en sikker afstand til produktet, når det anvendes.



Sluk og træk stikket ud af stikkontakten, før justering, rengøring, eller hvis kablet er filtret sammen, og inden du efterlader haveproduktet uden opsyn i en periode. Hold forsyningens fleksible ledning væk fra skærelinjen.



Sørg for, at tilstedeværende ikke kommer til skade på grund af fremmedlegemer, der bliver kastet væk. Advarsel: Hold en sikker afstand fra maskinen, når den anvendes.



Risiko for elektrisk stød.



Brug høreværn.



Brug beskyttelsesbriller.



Bær sikkerhedshandsker.



Brug beskyttelsesstøvler.



Udsæt ikke for regn.



Kontroller omhyggeligt det område, hvor værktøjet skal bruges, for dyr og kæledyr. Dyr og kæledyr kan blive skadet, mens maskinen er i drift. Kontroller arbejdsområdet grundigt, og fjern eventuelle sten, pinde, ledninger, knogler og fremmedlegemer. Når du bruger maskinen, skal du sikre dig, at der ikke er skjulte dyr, kæledyr eller små træstubbe i det tætte græs.



Klasse II-maskine – Dobbeltisoleret – Du har ikke brug for et jordstik.



Produktet overholder de gældende sikkerhedsstandarder i de europæiske direktiver.



Det garanterede lydeffektniveau  
LWA = 96 dB(A)

### GENERELLE SIKKERHEDSFORSKRIFTER



**Advarsel! Læs alle sikkerhedsadvarsler og alle anvisninger.** Hvis alle nedenstående instruktioner ikke følges, kan det resultere i elektrisk stød, brand og/eller alvorlig personskade.

#### Gem disse instruktioner.

Udtrykket "elektrisk maskine" i alle advarselerne nedenfor henviser til elektriske maskiner/værktøj/redskaber, der via en ledning tilkobles elnettet eller strømforsynes via batteri (accu).

#### 1) Arbejdsområde

- Arbejdsområdet skal være rent og tilstrækkeligt belyst.** Rodede og mørke arbejdsområder giver større risiko for ulykker.
- Brug ikke elektriske maskiner i eksplosive omgivelser, f.eks. i nærheden af brandfarlige væsker, gasser eller støv.** Elektriske maskiner frembringer gnister, som kan antænde støv eller dampe.

- c) **Hold børn og omkringstående på afstand, når der bruges elektriske maskiner.** Hvis man distraheres, kan man miste kontrollen over den elektriske maskine.
- 2) **Elektrisk sikkerhed**
- a) **Stik til elektriske maskiner skal passe til stikkontakten. Der må ikke foretages ændringer af stikket. Brug ikke snydepropper til jordede (jordforbundne) elektriske maskiner.** Originale stik og tilsvarende kontakter mindsker risikoen for elektrisk stød.
- b) **Undgå kropskontakt med jordede eller jordforbundne overflader som f.eks. rør, radiatorer, komfurer og køleskabe.** Der er øget risiko for elektrisk stød, hvis kroppen er jordet eller jordforbundet.
- c) **Elektriske maskiner må ikke udsættes for regn eller våde omgivelser.** Hvis der kommer vand i den elektriske maskine, øges risikoen for elektrisk stød.
- d) **Brug ikke ledningen forkert. Brug ikke ledningen til at bære eller trække maskinen og heller ikke for at tage ledningen ud af stikkontakten. Hold ledningen væk fra stærk varme, olie, skarpe kanter og bevægelige dele.** Beskadigede eller filtrerede ledninger øger risikoen for elektrisk stød.
- e) **Når en elektrisk maskine bruges udendørs, skal man bruge en forlængerledning, der er beregnet til udendørs brug.** Hvis der bruges en forlængerledning, der er beregnet til udendørs brug, mindskes risikoen for elektrisk stød.
- f) **Hvis det ikke kan undgås at bruge et maskinværktøj i et fugtigt miljø, bør du anvende en forsyning, der er beskyttet af en fejlstrømsafbryder (RCD).** Brugen af en RCD reducerer risikoen for elektrisk stød.
- 3) **Personlig sikkerhed**
- a) **Vær agtpågivende, hold øjnene rette mod det, du laver, og brug almindelig sund fornuft, når du bruger en elektrisk maskine. Brug ikke en elektrisk maskine, hvis du er træt eller er under påvirkning af narkotika, alkohol eller medicin.** Et øjeblikvis uopmærksomhed under arbejdet med en elektrisk maskine kan resultere i alvorlig personskade.
- b) **Brug personligt sikkerhedsudstyr. Brug altid beskyttelsesbriller.** Sikkerhedsudstyr som støvmaske, skridsikre sko, hjelm eller høreværn, brugt når det er nødvendigt, mindsker risikoen for personskade.
- c) **Undgå utilsigtet start. Sørg for, at der er slukket på afbryderen, før stikket sættes i stikkontakten.** Hvis maskinværktøj bæres med fingeren på kontakten, eller når maskinværktøj strømføres med tændt kontakt, kan der nemt ske ulykker.
- d) **Fjern justeringsnøgler og tænger, før der tændes for den elektriske maskine.** En tang eller nøgle, der sidder på en roterende del af den elektriske maskine, kan resultere i personskade.
- e) **Ræk ikke for langt ud. Stå sikkert på fødderne og vær altid i god balance.** Det giver bedre kontrol over maskinen i uventede situationer.
- f) **Tag passende tøj på. Bær ikke løstsiddende tøj eller smykker. Hold hår, tøj og handsker væk fra bevægelige dele.** Løstsiddende tøj, smykker eller langt hår kan blive grebet af bevægelige dele.
- g) **Hvis der forefindes tilslutning til støvudsugning og -opsamling, skal man sørge for, at udstyret er tilsluttet og bruges.** Brug disse muligheder for at mindske risikoen for støvrelaterede risici.
- h) **Lad ikke kendskab opnået gennem hyppig brug af værktøj lade dig blive tilbagelænet og ignorere værktøjssikkerhedsprincipper.** En skødesløs handling kan forårsage alvorlig personskade inden for en brøkdelt af et sekund.
- 4) **Brug og behandling af elektriske maskiner**
- a) **Brug ikke magt på den elektriske maskine. Brug kun den elektriske maskine til det, den er beregnet til.** Den rette elektriske maskine gør arbejdet bedre og mere sikkert ved den effekt, der er foreskrevet.
- b) **Brug ikke den elektriske maskine, hvis afbryderen ikke kan tændes og slukke.** En elektrisk maskine, der ikke kan tændes og slukkes på afbryderen, er farlig og skal repareres.
- c) **Tag stikket ud af stikkontakten før justering, udskiftning af tilbehør, og før den elektriske maskine gemmes væk.** Sådanne forebyggende sikkerhedsforanstaltninger mindsker risikoen for, at den elektriske maskine starter ved et uheld.
- d) **Elektriske maskiner, der ikke bruges, skal opbevares utilgængeligt for børn, og personer, der ikke har kendskab til den elektriske maskine eller disse instruktioner, må ikke bruge den elektriske maskine.** Elektriske maskiner er farlige i hænderne på uøvede personer.
- e) **Elektriske maskiner skal vedligeholdes. Check for forkert justering og fastsiddende bevægelige dele, defekte dele og andre ting, som kan påvirke den elektriske maskines korrekte funktion.** Hvis den elektriske maskine er beskadiget, skal

**den repareres før brug.** Mange ulykker skyldes, at elektriske maskiner er dårligt vedligeholdt.

- f) **Skærende værktøj skal holdes skarpe og rene.** Korrekt vedligeholdt skærende værktøj med skarpe skær kommer ikke så let til at sidde fast og er nemmere at styre.
- g) **Brug den elektriske maskine, tilbehør, tool-bits osv. i henhold til disse instruktioner og på den måde, som denne specielle maskine er beregnet til, idet man skal tage hensyn til arbejdsforholdene og arbejdet, der skal udføres.** Brug af den elektriske maskine til andet, end den er beregnet til, kan resultere i farlige situationer.
- h) **Hold håndtag og gribeblader tørre, rene og fri fra olie og fedtstof.** Glatte håndtag og gribeblader giver ikke mulighed for sikker håndtering og kontrol af værktøjet i uventede situationer.

### 5) Service

- a) **Få foretaget service på dit maskinværktøj af en kvalificeret reparatør, der kun bruger identiske udskiftingsdele.** Dette sikrer, at maskinværktøjet fortsat er sikkert at bruge.

## YDERLIGERE SIKKERHEDSANVISNINGER TIL GRÆSTRIMMER

- Hold det område, du arbejder i, rent og ryddeligt.
- Undgå at bruge trimmeren i regn eller våde miljøer, især når der er risiko for lyn.
- Arbejd kun i dagslys eller god kunstig belysning
- Brug ikke elværktøjer, hvor der er risiko for brand eller eksplosion - dvs. i nærheden af brandfarlige væsker eller gasser. El-værktøj danner gnister, der kan antænde støv eller dampe.
- Brug aldrig produktet, når du er træt, syg eller påvirket af alkohol, stoffer eller medicin.
- Bær altid lange tunge bukser, støvler og handsker. Bær ikke løst tøj, smykker, korte bukser, sandaler, og arbejd aldrig med bare fødder.
- Bær beskyttelsesbriller og høreværn under betjening af maskinen
- Hold et fast fodfæste og balancen. Ræk dig ikke for langt.
- Lad aldrig børn eller personer, som ikke har kendskab til disse instruktioner, bruge trimmeren. Lokale forskrifter kan begrænse operatørens alder. Når den ikke er i brug, skal trimmeren opbevares uden for børns rækkevidde.
- Arbejd aldrig med denne trimmer, når der er personer, især børn, eller dyr i nærheden.
- Hav aldrig hænder eller fødder i nærheden af skæresystemet.
- Monter aldrig metalliske skæreelementer på denne trimmer.
- Efterse og vedligehold trimmeren regelmæssigt.
- Betjen aldrig trimmeren med manglende eller ødelagte skærme eller værn eller uden skærme eller værn på plads.
- Inden du bruger maskinen, og efter kraftpåvirkning, skal den efterses for slid eller skader og om nødvendigt repareres
- Vent, til spolelinen er standset helt, inden du rører den. Spolelinen bliver ved med at rotere, efter trimmeren er slukket. En roterende tråd kan forårsage personskaade.
- Hvis du bruger trimmeren i vådt græs, reduceres ydeevnens effektivitet.
- Sluk under transport af trimmeren til og fra området, der skal arbejdes på.
- Tænd kun for motoren, når hænder og fødder er væk fra skæreudstyret.
- Få kun trimmeren repareret af en autoriseret kundeservicerepræsentant.
- Sørg altid for, at ventilationshullerne holdes fri for snavs.
- Opbevar maskinen et sikkert, tørt sted uden for børns rækkevidde. Placer ikke andre genstande oven på maskinen.
- Betjen ikke maskinen uden montering af trådfastgørelse.
- Tving ikke apparatet - lad det arbejde med den hastighed, det er beregnet til.
- Vi anbefaler kraftigt at bruge en RCD (fejlstømsafbryder) på ikke mere end 30 mA ved stikkontakten, når du bruger dette apparat.
- Lad aldrig strømledningen ligge på eller over skarpe genstande, der kan gennembore den udvendige isolering. Udfør et visuelt eftersyn af strømledningen før brug, og hvis den er beskadiget, skal den udskiftes af et særligt servicecenter. Brug ikke apparatet, hvis ledningen er beskadiget.
- Hvis ledningen bliver beskadiget under brug, skal du afbryde ledningen fra strømforsyningen med det samme. UNDLAD AT BERØRE LEDNINGEN, INDEN DU FRAKOBLER FORSYNINGEN. Brug ikke apparatet, hvis apparatets ledning eller forlængerledningen er beskadiget.
- Hold forlængerledningen væk fra skæreelementer.
- Sørg altid for, at skærmene er monteret under brug af værktøjet.
- Se kablet efter for skader, inden du påbegynder arbejdet, og udskift det efter behov.

- Efterse og vedligehold trimmeren regelmæssigt. Få kun trimmeren repareret af en autoriseret reparatør.
- Tag stikket ud af stikkontakten, inden du forsøger at foretage nogen form for vedligeholdelse.



*Fare! Når du slukker for maskinen, skal du vente på, at maskinen og dens spole standser helt, inden du lægger maskinen fra dig.*

- Træk altid trimmerens stik ud af stikkontakten, når trimmeren efterlades uden opsyn.
- Efter forlængelse af ny skærerline eller udskiftning af spoleline. Sæt altid trimmeren tilbage til dens normale driftsposition, inden du tænder den.
- Inspicer jævnligt skærehovedets tilstand. Hvis spolen er beskadiget, skal du slukke den, fjerne stikket fra strømforsyningen og udskifte spolen.
- Brug ikke maskinen til at klippe græs, som ikke er på jorden. For eksempel bør du ikke klippe græs, som vokser på vægge eller klipper.
- Kryds ikke veje eller grusstier, mens maskinen stadig kører.
- Brug kun maskinen i henhold til instruktionerne i denne vejledning.
- Forlæng ikke trimmelinen ud over skærmen, og brug ikke trimmeren, uden at begge liner er forlænget, og der er installeret en korrekt line.
- Kontroller regelmæssigt, at møtrikker, bolte og skruer er stramme.

### Elektrisk sikkerhed



*Kontroller altid, at strømforsyningens spænding svarer til spændingen på typeskiltet.*

type X: Hvis forsyningsledningen er beskadiget, skal den udskiftes med en speciel ledning eller samling, der er tilgængelig fra producenten eller dens serviceagent.

type Y: Hvis forsyningsledningen er beskadiget, skal den udskiftes af producenten, dens serviceagent eller lignende kvalificerede personer for at undgå farer.

- Brug ikke maskinen, hvis strømkablet eller stikket er beskadiget.
- Brug kun forlængerledninger, der passer til maskinens spænding og som har en minimumtykkelse på 1.5 mm<sup>2</sup>. Hvis du anvender en kabeltromle, skal kablet altid ruller helt ud.

## 2. MASKINOPLYSNINGER

### Tilsigtet brug

Denne græsstrimmer er beregnet til udendørs brug, til at trimme og til at klippe græs og græsplæner i private haver og hobbyhaver. Produktet er designet til at klippe græs, let ukrudt og anden lignende vegetation på eller omkring jordniveau. Trimmeren må ikke bruges til at klippe eller trimme hække, buske eller anden vegetation, hvor skæreniveauet ikke er på eller omkring jordoverfladens niveau. Brug ikke trimmeren til at makulere eller lave kompost. Brug ikke denne maskine i regnvej.

### TEKNISKE SPECIFIKATIONER

Model nr.	GT502AC
Spænding	230V
Frekvens	50Hz
Hastighed uden last	11.500/min
Skærediameter	230 mm
Skæresystem	2-linet trådspole, Tap and go Ø1,2 mm x 4 m
Vægt	1,26 kg
Lydtrykniveau L <sub>PA</sub>	80dB(A) K=3 dB(A)
Lydtrykeffekt L <sub>WA</sub>	89,4 dB(A) K=1,96 dB(A)
Vibrationsværdi	≤2,5 m/s <sup>2</sup> K=1,1 m/s <sup>2</sup>

*Garanteret værdi i henhold til støjdirektivet:*

*L<sub>WA</sub> 96 db(A)*

### Vibrationsniveau

Det vibrationsniveau, der er anført bag på denne betjeningsvejledning er målt i henhold til den standardiserede test som anført i EN 60335-1 og EN 50636-2-91; den kan benyttes til sammenligning af to stykker værktøj og som en foreløbig bedømmelse af udsættelsen for vibrationer, når værktøjet anvendes til de nævnte formål:

- anvendes værktøjet til andre formål eller med andet eller dårligt vedligeholdet tilbehør, kan dette øge udsættelsesniveauet betydeligt;
- de tidsrum, hvor værktøjet er slukket, eller hvor det kører uden reelt at udføre noget arbejde, kan reducere udsættelsesniveauet betydeligt.

Beskyt dig selv imod virkningerne af vibrationer ved at vedligeholde værktøjet og dets tilbehør, ved at holde dine hænder varme og ved at organisere dine arbejdsmønstre.

## BESKRIVELSE

Tallene i teksten henviser til diagrammerne på side 2-5.

1. Håndtag
2. Tænd/sluk-kontakt
3. Kabelkrog
4. Forreste greb
5. Strømkabel
6. Øvre hus
7. Nedre hus
8. Afskærmning
9. Spolesamling
10. Husskærm
11. Skrue til afskærmning
12. Hak
13. Klinge
14. Spoledæksel
15. Trådspole
16. Fjeder
17. Spoleholder

## 3. SAMLING



*Snitskade, når enheden starter ved et uheld. Inden du monterer enheden, skal du kontrollere, at netkablet er frakoblet.*

### Montering af huset (fig. A, B, C)

1. Indsæt det nedre hus (7) i det øvre hus (6), som vist på figur B. Sørg for, at kablet ikke strækkes eller sætter sig fast, når du gør dette.
2. Fastgør begge husdele med husets skruer (10), som vist på figur C. Brug en skrue på begge sider af huset.

### Montering af beskyttelseskærmen (fig. A, D)

1. Sæt afskærmningen (8) på det nedre hus (7) ved først at sætte skærmen i hakket (12) og derefter trække skærmen opad.
2. Fastgør nu afskærmningen ved hjælp af skruen til afskærmning (11). En korrekt monteret afskærmning, som vist på figur D.

### Udskiftning af trådspolen (fig. F1)



*Inden spolen udskiftes, skal maskinen rengøres for snavs.*

- Fjern spoledækslet (14) ved at trykke på de to knapper på hver side af spoledækslet.

- Tag spolerullen (15) ud, men lad fjederen (16) være indeni.
- Tag den nye spolerulle (GT802AA) og placer den over fjederen (16). Sørg for, at trådene føres gennem hullerne inde i spoleholderen (17).
- Dæk den nye spolerulle med spoledækslet (14), og sørg for, at knapperne på spoledækslet (14) flugter korrekt med hullerne inde i spoleholderen (17).

## 4. DRIFT

### Brug af tap and go-systemet (fig. A, D)

For at aktivere tap and go-systemet skal plastisdækslet foran klingen (13) i afskærmningen (8) fjernes.



*Rør ikke klingen (13) i afskærmningen (8) for at forhindre personskade.*

- Når tråden er for kort, skal du tænde maskinen og trykke spidsen af spolerullen (15) på jorden (sørg for, at dette gøres på en hård overflade).
- Dette frigør tråden, så den kan gøres længere.
- Tråden skæres automatisk i den rette længde af klingens (13) monteret på afskærmningen (8).

### Brug af ledningsgrebet (fig. A, E)

For at hjælpe med at fastgøre stikket til forlængerledningen skal du lave en løkke i forlængerledningen og fastgøre den til kabelkrogen som vist (se fig. E). Når den er sikker, skal ledningen fastgøres til stikket. Dette forhindrer, at den ved et uheld trækkes ud.

### Brug af trimmeren



*Inden brug skal du altid inspicere maskinen visuelt, og at dens dele er korrekt monteret, ikke slidte og ikke beskadigede.*

Hold enheden i den øverste del af grebet (1) og det forreste greb (4), så trimmerhovedet vipper en lille smule fremad. Sørg for, at filamentet ikke rører ved hårde genstande som vægge, sten og hegn for at forhindre, at filamentet svejses sammen eller går i stykker.

### Tænd og sluk (fig. A)

- Tænd for trimmeren ved at trykke på tænd/sluk-kontakten (2).
- Sluk blot ved at slippe tænd/sluk-kontakten (2).

## 5. VEDLIGEHOVELSE



*Sørg for at maskinen ikke står under strøm, når der udføres vedligeholdelsesarbejder på mekanikken.*

Maskinerne er designet til at virke over en længere periode med minimal vedligeholdelse. Kontinuerlig tilfredsstillende drift afhænger af korrekt maskinpleje og regelmæssig rengøring.

- Sluk for strømmen, og træk stikket ud, før du rengør maskinen og stiller den til opbevaring.
- Maskinen kræver ingen yderligere smøring.
- Rengør huset og andre dele med et mildt rengøringsmiddel og en fugtig klud.
- Brug aldrig aggressive rengøringsmidler eller opløsningsmidler.
- Undgå, at der kommer vand ind i maskinen.
- Lad ikke trimmeren hvile på gulvet i længere perioder, da det kan resultere i, at skærmens form ændres, hvilket udgør en sikkerhedsrisiko. Hæng den fra gulvet i det øverste greb

### Rengøring

Rengør maskinhuset regelmæssigt med en blød klud; helst efter hver anvendelse. Hold ventilationsåbningerne fri for støv og snavs. Hvis snavset ikke går af, skal du bruge en blød klud fugtet med sæbevand. Brug aldrig opløsningsmidler såsom benzin, alkohol, ammoniakvand osv. Disse opløsningsmidler kan beskadige plastikdelene.

## MILJØ



*Defekte og/eller bortskaffede elektriske og elektroniske apparater skal afleveres på en passende genbrugsstation.*

### Kun for EU-lande

Smid ikke el-værktøjer ud sammen med almindeligt affald. I henhold til de europæiske direktiver 2012/19/EU for elektrisk og elektronisk udstyr og er implementeret i henhold til nationale rettigheder, el-værktøj som ikke længere er anvendelig skal indsamles separat og genbruges på en miljøvenlig måde.

## GARANTIVILKÅR

VONROC produkter er udviklet efter de højeste kvalitetsstandarder og er garanteret fri for mangler i såvel materialer som udførelse i den lovpligtige periode, der starter fra datoen for det oprindelige køb. Skulle produktet udvikle nogen fejl i løbet af denne periode på grund af defekte materialer og/eller fabrikationsfejl, så kontakt VONROC direkte.

De følgende forhold er udelukket fra denne garanti:

- Reparationer og eller rettelser er blevet foretaget eller forsøgt foretaget på maskinen af uautoriserede servicecentre.
- Normal slitage.
- Værktøjet har været misligholdt, misbrugt eller vedligeholdt forkert.
- Ikke originale reservedele er blevet anvendt.

Dette udgør den eneste garanti fra virksomheden enten udtrykt eller underforstået. Der er ingen andre garantier udtrykt eller underforstået, som strækker sig ud over forsiden heraf, heri, herunder underforståede garantier for salgbarhed og egnethed til et bestemt formål. VONROC vil under ingen omstændigheder være ansvarlig for hændelige skader eller følgeskader. Forhandlernes afhjælpningsmidler vil være begrænsede til reparation eller udskiftning af fejlbehæftede enheder eller dele.

**Produktet og brugermanualen kan ændres. Specifikationer kan ændres uden forudgående varsel.**



## 1. INSTRUKCJE BEZPIECZEŃSTWA

Przeczytać dołączone ostrzeżenia dotyczące bezpieczeństwa, dodatkowe ostrzeżenia dotyczące bezpieczeństwa oraz instrukcję. Nieprzestrzeganie ostrzeżeń dotyczących bezpieczeństwa oraz instrukcji może prowadzić do porażenia prądem, pożaru i/lub poważnych obrażeń ciała. Zachować ostrzeżenia dotyczące bezpieczeństwa oraz instrukcje na przyszłość.

To urządzenie może być używane przez dzieci w wieku od 8 lat i osoby z ograniczonymi zdolnościami fizycznymi, czuciowymi lub umysłowymi lub nieposiadające doświadczenia i wiedzy, jeśli znajdują się one pod nadzorem lub zostały przeszkolone z bezpiecznego użytkowania urządzenia i rozumieją związane z tym zagrożenia. Dzieciom nie wolno pozwalać bawić się urządzeniem. Dzieciom bez nadzoru nie wolno przeprowadzać czyszczenia i konserwacji urządzenia.

Następujące symbole są umieszczone w instrukcji obsługi lub na produkcie:



*Przeczytać instrukcje obsługi.*



*Oznacza ryzyko obrażeń ciała, śmierci lub uszkodzenia narzędzia w razie nieprzestrzegania poleceń z instrukcji.*



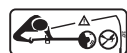
*Dopilnować, aby osoby postronne nie odniosły obrażeń spowodowanych przez ciała obce wyrzucone przez narzędzie.*



*Ostrzeżenie: Zachować bezpieczny odstęp od produktu podczas obsługi.*



*Wyłączyć urządzenie i odłączyć wtyczkę zasilania od gniazdka przed rozpoczęciem regulacji lub czyszczenia albo w przypadku splątania kabla oraz przed pozostawieniem produktu bez nadzoru na dowolny czas. Trzymać dołączony do zestawu elastyczny kabel z dala od żyłki tnącej.*



*Dopilnować, aby osoby postronne nie odniosły obrażeń spowodowanych przez ciała obce wyrzucane przez narzędzie. Ostrzeżenie: Zachować bezpieczny odstęp od maszyny podczas obsługi.*



*Ryzyko porażenia prądem.*



*Nosić ochronniki słuchu.*



*Zawsze nosić okulary ochronne!*



*Nosić rękawice ochronne.*



*Nosić obuwie ochronne.*



*Nie wystawiać na działanie deszczu.*



*Uważnie sprawdzić, czy w miejscu, w którym ma być użyte narzędzie, nie ma dzikich zwierząt ani zwierząt domowych. Zwierzęta dzikie i domowe mogą zostać zranione przez pracującą maszynę. Dokładnie sprawdzić miejsce pracy i usunąć wszelkie kamienie, patyki, przewody, kości i inne ciała obce. Podczas korzystania z maszyny dokładnie sprawdzać, czy w gęstej trawie nie ukrywają się dzikie lub domowe zwierzęta i czy nie są w niej ukryte małe pniaki.*



*Maszyna klasy II - Podwójna izolacja – Nie trzeba stosować wtyczek z uziemieniem.*



*Produkt spełnia wymogi odpowiednich norm bezpieczeństwa podanych w dyrektywach UE.*



*Gwarantowany poziom mocy akustycznej LWA = 96 dB(A)*

### OGÓLNE ZALECENIA DOTYCZĄCE BEZPIECZEŃSTWA



**UWAGA! Przeczytać wszystkie ostrzeżenia dotyczące bezpieczeństwa i wszystkie instrukcje.** Nieprzestrzeganie wszystkich poniższych instrukcji może być przyczyną porażenia prądem, pożaru i/lub poważnych obrażeń.

#### Zachowaj poniższe instrukcje.

Termin „elektronarzędzia akumulatorowe” we wszystkich ostrzeżeniach zamieszczonych poniżej odnosi się do elektronarzędzi akumulatorowych zasilanych sieciowo (przewodowych) lub elektronarzędzi akumulatorowych działających na baterie (beprzewodowych).



- 1) Obszar roboczy**
- a) **Obszar roboczy należy utrzymywać w czystości.** Powinien on być dobrze oświetlony. Nieład i złe oświetlenie mogą z łatwością doprowadzić do wypadku.
- b) **Nie korzystaj z elektronarzędzi akumulatorowych w warunkach, w których łatwo może dojść do wybuchu, np. w obecności łatwopalnych cieczy, gazów lub pyłu.** Podczas pracy elektronarzędzi akumulatorowych powstają iskry, które mogą doprowadzić do zapłonu pyłu lub oparów.
- c) **Dzieci i inne osoby postronne powinny pozostać w bezpiecznej odległości od pracującego urządzenia.** Rozproszenie uwagi może spowodować utratę kontroli nad urządzeniem.
- 2) Bezpieczeństwo związane z elektrycznością**
- a) **Wtyczki elektronarzędzi akumulatorowych muszą być odpowiednie do danego gniazda. Pod żadnym pozorem nie należy modyfikować wtyczki w jakikolwiek sposób. Nie należy używać adapterów, które uziemiają elektronarzędzia akumulatorowe.** Stosowanie wtyczek nie poddanych modyfikacjom oraz odpowiednich gniazd zmniejsza ryzyko porażenia prądem.
- b) **Należy unikać bezpośredniego kontaktu fizycznego z powierzchniami uziemionymi, takimi jak rury, grzejniki, kuchenki, lodówki.** Ryzyko porażenia prądem jest większe, jeśli ciało osoby obsługującej urządzenie jest uziemione.
- c) **Nie należy wystawiać elektronarzędzi akumulatorowych na działanie deszczu lub wilgoci.** Dostanie się wody do wnętrza elektronarzędzia akumulatorowego zwiększy ryzyko porażenia prądem.
- d) **Nie należy używać przewodu w niewłaściwy sposób. Pod żadnym pozorem nie należy wykorzystywać przewodu do przenoszenia lub ciągnięcia elektronarzędzia akumulatorowego, ani do jego odłączania od sieci. Przewodu nie należy wystawiać na działanie ciepła, smarów. Powinien on znajdować się w bezpiecznej odległości od ostrych krawędzi i części ruchomych.** Przewody uszkodzone lub poplątane zwiększają ryzyko porażenia prądem.
- e) **Podczas korzystania z elektronarzędzia akumulatorowego na wolnym powietrzu, należy używać przewodu przedłużacza przystosowanego do użytku na zewnątrz.** Używanie przewodu nadającego się do użytku na wolnym powietrzu zmniejsza ryzyko porażenia prądem.
- f) **Jeśli obsługa elektronarzędzia w wilgotnym miejscu jest nieunikniona, użyć zasilania wyposażonego w wyłącznik różnicowo-prądowy.** Użycie wyłącznika różnicowo-prądowego zmniejsza ryzyko porażenia prądem.
- 3) Bezpieczeństwo osoby obsługującej urządzenie**
- a) **Przez cały czas należy mieć się na baczności, uważać na to, co się robi, a w czasie obsługi elektronarzędzia akumulatorowego postępować mając na uwadze zdrowy rozsądek. Urządzenia nie powinny obsługiwać osoby zmęczone lub będące pod wpływem narkotyków, alkoholu lub leków.** Chwila nieuwagi w czasie obsługi elektronarzędzi akumulatorowych może być przyczyną powstania poważnych obrażeń ciała.
- b) **Należy korzystać ze sprzętu ochronnego oraz zawsze nosić okulary ochronne.** Sprzęt ochronny, jak na przykład maska przeciwpyłowa, antypoślizgowe obuwie ochronne, kask lub słuchawki ochronne używane we właściwych sytuacjach pozwoli na zmniejszenie ryzyka obrażeń ciała.
- c) **Unikać niezamierzonego uruchomienia. Przed podłączeniem urządzenia do sieci, zawsze sprawdzić, czy przełącznik znajduje się w pozycji „wyłączony”.** Przenoszenie elektronarzędzi z palcem na przełączniku lub włączonych elektronarzędzi z przełącznikiem w położeniu włączenia jest bardzo niebezpieczne i może powodować wypadki.
- d) **Przed włączeniem elektronarzędzia akumulatorowego należy usunąć z niego wszystkie klucze nastawcze lub maszynowe.** Pozostawienie klucza zamocowanego na jednej z części obrotowych urządzenia może spowodować powstanie obrażeń ciała.
- e) **Nie należy sięgać ponad urządzeniem. Przez cały czas należy zachować odpowiednią równowagę i zapewnić odpowiednie oparcie dla stóp.** Pozwoli to na lepsze kontrolowanie urządzenia w nieoczekiwanych sytuacjach.
- f) **Należy nosić odpowiednie ubranie. Do pracy z urządzeniem nie wkładać luźnych ubrań ani biżuterii. Włosy, ubranie i rękawiczki trzymać z dala od części ruchomych.** Luźne części ubrania, biżuteria lub długie włosy mogą zostać wciągnięte przez części ruchome.
- g) **Jeśli w urządzeniu przewidziano elementy służące do odprowadzania i zbierania pyłu, należy**

- sprawdzić, czy są podłączone, i czy działają we właściwy sposób.** Korzystanie z tego typu elementów pozwala ograniczyć ryzyko związane z wydzielaniem pyłu podczas pracy urządzenia.
- h) **Nie zezwalać na to, aby rutyna związana z częstym korzystaniem z narzędzi powodowała nadmierną pewność siebie i ignorowanie zasad bezpiecznego korzystania z narzędzi.** Nieodpowiedzialne działanie może spowodować poważne obrażenia ciała w ułamku sekundy.
- 4) **Obsługa i konserwacja elektronarzędzi akumulatorowych**
- a) **Urządzenia nie należy przeciążać. Należy korzystać z narzędzia odpowiedniego do danego typu pracy.** Odpowiednio dobrane urządzenie pozwoli na lepsze i bezpieczniejsze wykonanie pracy, we właściwym dla urządzenia tempie.
- b) **Z elektronarzędzia akumulatorowego nie należy korzystać, jeśli nie można go włączyć i wyłączyć przy pomocy przełącznika.** Urządzenie, którego nie można kontrolować używając przełącznika jest niebezpieczne i powinno być oddane do naprawy.
- c) **Przed przystąpieniem do regulowania elektronarzędzi akumulatorowych, wymiany akcesoriów lub przygotowywania urządzeń do okresu przechowywania, należy odłączyć wtyczkę od źródła zasilania.** Tego typu środki ostrożności zmniejszają ryzyko przypadkowego uruchomienia urządzenia.
- d) **Nieczynne elektronarzędzia akumulatorowe należy przechowywać poza zasięgiem dzieci. Nie należy pozwolić, aby osoby nie znające urządzenia lub niniejszych instrukcji obsługi obsługiwały urządzenie.** Elektronarzędzia akumulatorowe w rękach niekompetentnych użytkowników stanowią zagrożenie.
- e) **Elektronarzędzia akumulatorowe należy utrzymywać w dobrym stanie technicznym. Należy sprawdzać, czy części ruchome są właściwie założone, i czy się nie zacinają. Należy również sprawdzać, czy jakieś części nie są uszkodzone oraz sprawdzać wszelkie inne elementy, które mogą wpłynąć na pracę urządzeń. Jeśli urządzenie jest uszkodzone, przed przystąpieniem do jego użytkowania, należy je naprawić.** Częstą przyczyną wypadków jest zły stan techniczny urządzeń.
- f) **Narzędzia służące do cięcia powinny być naostrzone i utrzymywane w czystości.** Jeśli narzędzia służące do cięcia, które posiadają ostre krawędzie tnące, są właściwie konserwowane, istnieje mniejsze prawdopodobieństwo ich zacinania się. Ponadto, łatwiej je kontrolować.
- g) **Elektronarzędzia akumulatorowego, akcesoriów, nakładek, itp. należy używać zgodnie z niniejszymi instrukcjami oraz w sposób właściwy dla danego rodzaju urządzenia, z u względnieniem warunków pracy oraz jej rodzaju.** Używanie urządzenia niezgodnie z przeznaczeniem może prowadzić do powstania sytuacji niebezpiecznych.
- h) **Uchwyty należy utrzymywać w stanie suchym, czystym i niezabrudzonym olejem lub smarem.** Śliskie uchwyty i powierzchniowość do chwytania nie pozwalają na bezpieczne obchodzenie się z narzędziem i panowanie nad nim w nieoczekiwanych sytuacjach.
- 5) **Serwis**
- a) **Zlecać serwisowanie elektronarzędzie wykwalifikowanemu technikowi stosującym jedynie części zamienne identyczne z oryginalnymi.** Zapewni to zachowanie bezpieczeństwa elektronarzędzia.

#### PODKASZARKA – DODATKOWE INSTRUKCJE DOTYCZĄCE BEZPIECZEŃSTWA

- Miejsce pracy utrzymywać w porządku i czystości.
- Unikać używania podkaszarki podczas deszczu lub w mokrych miejscach, szczególnie wtedy, gdy występuje ryzyko wyfodowań atmosferycznych.
- Pracować wyłącznie w świetle dnia lub przy dobrym oświetleniu sztucznym.
- Nie używać elektronarzędzi, jeśli występuje ryzyko pożaru lub eksplozji, np. w pobliżu płynów lub gazów łatwopalnych. Elektronarzędzia wytwarzają iskry, które mogą spowodować zapłon pyłu lub oparów.
- Nigdy nie uruchamiać urządzenia, gdy jest się zmęczonym, chorym lub pod wpływem leków, alkoholu albo innych środków odurzających.
- Zawsze nosić wytrzymałe spodnie z długimi nogawkami, pełne obuwie i rękawice. Nie nosić luźnych ubrań, biżuterii, krótkich spodenek, sandałów i nigdy nie pracować boso.
- Korzystać z ochrony oczu i ochronników słuchu podczas pracy maszyną.
- Utrzymywać solidne podparcie stóp i równowagę. Nie sięgać za daleko.

- Nigdy nie pozwalać dzieciom ani osobom niezaznajomionym z niniejszymi instrukcjami na używanie podkaszarki. Przepisy krajowe mogą ograniczać wiek operatora. Kiedy podkaszarka nie jest używana, przechowywać ją poza zasięgiem dzieci.
- Nigdy nie używać podkaszarki, gdy w pobliżu znajdują się ludzie (zwłaszcza dzieci) lub zwierzęta domowe.
- Nie zbliżać dłoni ani stóp do zespołu koszącego.
- Nigdy nie instalować metalowych elementów tnących w tej podkaszarce.
- Regularnie sprawdzać i konserwować podkaszarkę.
- Nigdy nie używać podkaszarki z brakującymi lub pękniętymi osłonami lub pokrywami ani bez nich.
- Przed użyciem narzędzia i w przypadku uderzenia w narzędzie, sprawdzić, czy nie występują oznaki zużycia lub uszkodzenia i zlecić naprawę w razie potrzeby.
- Przed dotknięciem żyłki poczekać, aż całkowicie się zatrzyma. Żyłka nadal obraca się po wyłączeniu podkaszarki, a obracająca się żyłka może spowodować obrażenia ciała.
- Używanie podkaszarki w mokrej trawie zmniejsza jej wydajność.
- Wyłączać podkaszarkę na czas jej transportu do i z miejsca pracy.
- Włączać silnik tylko wtedy, gdy dłonie i stopy znajdują się z dala od elementów koszących.
- Przekazywać podkaszarkę do naprawy wyłącznie do autoryzowanego serwisu.
- Dopilnować, aby szczeliny wentylacyjne były zawsze wolne od zanieczyszczeń.
- Przechowywać narzędzie w bezpiecznym, suchym miejscu niedostępnym dla dzieci. Nie kłaść niczego na maszynie.
- Nie używać narzędzia bez zamontowanej żyłki.
- Nie używać siły do obsługi narzędzia - należy pozwolić mu działać zgodnie z przeznaczeniem.
- Podczas korzystania z tego urządzenia zdecydowanie zalecamy używanie wyłącznika różnicowoprądowego o prądzie zadziałania nie większym niż 30 mA, podłączonego do gniazdka zasilającego.
- Przewód zasilający nie może leżeć na ostrych przedmiotach, które mogą przebić zewnętrzną izolację. Przed użyciem przewodu zasilającego i w przypadku jego uszkodzenia należy skontrolować przewód zasilający i w razie potrzeby zlecić jego wymianę w specjalistycznym serwisie. Nie używać urządzenia, jeśli przewód jest uszkodzony.
- Jeśli przewód ulegnie uszkodzeniu podczas użytkowania, należy natychmiast odłączyć go od sieci. **NIE DOTYKAĆ PRZEWODU PRZED ODŁĄCZENIEM GO OD ŹRÓDŁA ZASILANIA.** Nie używać urządzenia, jeśli jego przewód lub przedłużacz jest uszkodzony.
- Przedłużacz należy trzymać z dala od elementów tnących.
- Podczas korzystania z narzędzia osłony muszą być zawsze założone.
- Przed rozpoczęciem pracy sprawdzić, czy przewód nie jest uszkodzony, i w razie potrzeby wymienić go.
- Regularnie sprawdzać i konserwować podkaszarkę. Przycinarka może być naprawiana wyłącznie przez autoryzowany serwis.
- Przed pracami konserwacyjnymi należy odłączyć wtyczkę od gniazdka.



*Niebezpieczeństwo! Wyłączając maszynę poczekać, aż maszyna i szpula całkowicie się zatrzymają przed odłożeniem maszyny.*

- Przed pozostawieniem podkaszarki bez nadzoru zawsze odłączyć ją od sieci zasilającej.
- Po wysunięciu nowego odcinka żyłki tnącej lub wymianie szpuli. Zawsze przestawiać podkaszarkę w normalne położenie robocze przed włączeniem.
- Regularnie sprawdzać stan głowicy tnącej. Jeśli szpula jest uszkodzona, wyłączyć narzędzie, wyjąć wtyczkę zasilania z gniazdka i wymienić szpulę.
- Nie używać maszyny do przycinania trawy, która znajduje się powyżej powierzchni gruntu. Na przykład nie przycinać trawy znajdującej się na kamieniach lub skałach.
- Nie przechodzić przez drogi ani ścieżki żwirowe, gdy urządzenie działa.
- Maszyny należy używać wyłącznie zgodnie z instrukcjami zawartymi w niniejszej instrukcji obsługi.
- Nie wysuwać żyłki tnącej poza osłonę i nie używać podkaszarki, jeśli obie żyłki nie są wysunięte i gdy nie jest zainstalowana prawidłowa żyłka.
- Regularnie sprawdzać, czy wszystkie nakrętki, śruby i wkręty są dokręcone.

**Bezpieczeństwo elektryczne**

Zawsze sprawdzać, czy napięcie zasilania jest zgodne z napięciem podanym na tabliczce znamionowej.

typ X: Jeśli przewód zasilania jest uszkodzony, należy go zastąpić specjalnym przewodem lub zespołem dostępnym u producenta lub w serwisie producenta.

typ Y: Jeśli przewód zasilania jest uszkodzony, musi go wymienić producent, jego przedstawiciel serwisowy lub podobnie, odpowiednio wykwalifikowana osoba, aby uniknąć zagrożenia.

- Nie używać urządzenia, jeśli jego kabel zasilający jest uszkodzony lub wtyczka kabla zasilającego jest uszkodzona.
- Używać wyłącznie przedłużaczy przystosowanych do pracy z parametrami zasilania urządzenia o minimalnej grubości 1,5 mm<sup>2</sup>. W przypadku korzystania z przedłużacza w zwoju, zawsze całkowicie rozwinąć zwój.

**2. INFORMACJE O MASZYNIE****Przeznaczenie**

Podkaszarka do trawy jest przeznaczona do użytku na wolnym powietrzu do przycinania i koszenia trawy na trawnikach i w ogrodach. Produkt jest przeznaczony do koszenia trawy, luźnych zarośli itp. roślinności przy poziomie gruntu lub nieznacznie powyżej. Podkaszarki nie należy używać do ścinania lub koszenia żywopłotów, krzewów lub innej roślinności, gdy płaszczyzna koszenia nie znajduje się na poziomie gruntu lub nieznacznie powyżej. Nie używać podkaszarki do rozdrabniania roślinności ani wytwarzania kompostu. Nie używać narzędzia w deszczu.

**DANE TECHNICZNE**

Nr modelu	GT502AC
Napięcie	230V
Częstotliwość	50Hz
Obroty bez obciążenia	11.500/min
Średnica koszenia	230 mm
System koszenia	Szpula z dwoma odcinkami żyłki, Wysuwana przez stukanie Ø1,2 mm x 4 m
Ciezar	1,26 kg

Poziom ciśnienia akustycznego L <sub>PA</sub>	80 dB(A) K=3 dB(A)
Poziom mocy akustycznej L <sub>WA</sub>	89,4 dB(A) K=1,96 dB(A)
Wartość drgań	≤2,5 m/s <sup>2</sup> K=1,1 m/s <sup>2</sup>

Gwarantowana wartość zgodnie z dyrektywą dotyczącą hałasu: L<sub>WA</sub> 96db (A)

**Poziom drgań**

Poziom emisji drgań podany w tej instrukcji obsługi został zmierzony zgodnie ze standaryzowanym testem podanym w normie EN 60335-1 oraz EN 50636-2-91; może on służyć do porównywania narzędzi ze sobą oraz do wstępnego oszacowania ekspozycji na drgania podczas użytkowania narzędzia do podanych zastosowań.

- używanie narzędzia do innych zastosowań lub z innymi lub źle konserwowanymi akcesoriami może znacząco zwiększać poziom ekspozycji.
- okresy, gdy narzędzie jest wyłączone lub okresy, gdy jest włączone, ale nie pracuje, mogą znacząco zmniejszać poziom ekspozycji.

Chronić się przed wpływem drgań, konserwując odpowiednio narzędzie i akcesoria, utrzymując ciepłotę dłoni oraz odpowiednio organizując pracę.

**OPIS**

Liczby w tekście odnoszą się do rysunków na stronach 2-5.

1. Uchwyt
2. Włócznik
3. Zaczep na kabel
4. Uchwyt przedni
5. Kabel zasilania
6. Górna obudowa
7. Dolna obudowa
8. Osłona ochronna
9. Zespół szpuli
10. Śruba obudowy
11. Śruba osłony ochronnej
12. Nacięcie
13. Ostrze
14. Pokrywa szpuli
15. Szpula z żyłką
16. Sprężyna
17. Uchwyt szpuli

### 3. MONTAŻ



*Ryzyko przecięcia ciała w razie przypadkowego uruchomienia urządzenia. Przed rozpoczęciem montażu narzędzia dopilnować, aby kabel zasilający był odłączony.*

#### Montaż obudowy (rys. A, B, C)

1. Włożyć dolną obudowę (7) w górną obudowę (6) zgodnie z rysunkiem B. Dopilnować, aby kabel nie został rozciągnięty ani ściśnięty podczas tej czynności.
2. Przymocować obie części obudowy śrubami obudowy (10) zgodnie z rysunkiem C. Zamontować po jednej śrubie z każdej strony obudowy.

#### Montaż osłony ochronnej (fig. A, D)

1. Założyć osłonę ochronną (8) na dolną obudowę (7), najpierw wkładając osłonę w nacięcie (12), po czym pociągając ją do góry.
2. Teraz zamocować osłonę ochronną śrubą osłony ochronnej (11). Prawidłowo zmontowana osłona ochronna jest przedstawiona na rysunku D.

#### Wymiana szpuli żyłki (rys. F1)



*Przed wymianą szpuli dokładnie oczyścić narzędzie.*

- Zdjąć pokrywę szpuli (14), wciskając dwa przyciski na obu bokach pokrywy szpuli.
- Wyjąć szpulę (15), ale pozostawić sprężynę (16) w narzędziu.
- Wziąć nową szpulę (GT802AA) i założyć ją na sprężynę (16). Dopilnować, aby żyłka została przełożona przez otwory w uchwycie szpuli (17).
- Zasłonić nową szpulę pokrywą szpuli (14) i dopilnować, aby przyciski pokrywy szpuli (14) zostały prawidłowo dopasowane do otworów wewnątrz uchwytu szpuli (17).

### 4. OBSŁUGA

#### Korzystanie z systemu typu „stuknij, aby wysunąć żyłkę” (Rys. A, D)

Aby system wysuwania żyłki przez stukanie działał, należy zdjąć plastikową osłonę przed ostrzem (13) w osłonie ochronnej (8).



*Nie dotykać ostrza (13) w osłonie ochronnej (8), aby uniknąć obrażeń ciała.*

- Kiedy żyłka jest za krótka, włączyć narzędzie i stuknąć końcówką szpuli (15) o podłoże (koniecznie stuknąć o twardą powierzchnię).
- Spowoduje to zwolnienie i wysunięcie żyłki.
- Żyłka zostanie automatycznie przycięta na odpowiednią długość przez ostrze zamontowane w osłonie ochronnej (13).

#### Korzystanie z zaczepu na przewód (rys. A, E)

Aby zabezpieczyć wtyczkę wetkniętą w przedłużacz, należy zrobić pętlę na przedłużaczu i zaczepić ją o hak na kabel zgodnie z ilustracją (patrz rys. E). Po założeniu pętli można wetknąć wtyczkę do przedłużacza. Zapobiegnie to przypadkowemu wyciągnięciu wtyczki z przedłużacza.

#### Korzystanie z podkaszarki



*Przed użyciem zawsze wzrokowo sprawdzić narzędzie i jego części pod względem właściwego zamontowania, oznak zużycia lub uszkodzeń.*

Trzymać narzędzie za górną część uchwytu (1) i przedni uchwyt (4), aby głowica podkaszarki była nieznacznie nachylona naprzód. Dopilnować, aby żyłka nie dotykała twardych przedmiotów i obiektów, jak ściany, kamienie i ogrodzenia, aby zapobiegać stopieniu się lub pęknięciu żyłki.

#### Włączanie i wyłączanie (rys. A)

- Aby włączyć podkaszarkę, wcisnąć włącznik (2).
- Aby wyłączyć narzędzie, zwolnić włącznik (2).

### 5. KONSERWACJA



*Przed rozpoczęciem czyszczenia i konserwacji zawsze wyłączać maszynę i wyjmować wtyczkę zasilania sieciowego z gniazdka.*

Ta maszyna jest przeznaczona do długotrwałej pracy z minimalną konserwacją. Długotrwała udana praca zależy od odpowiedniej konserwacji i regularnego czyszczenia maszyny.

- Wyłączyć zasilanie i wyciągnąć wtyczkę przed wyczyszczeniem i schowaniem urządzenia.
- Urządzenie nie wymaga dodatkowego smarowania.
- Czyścić obudowę i inne części za pomocą łagodnych środków czyszczących i wilgotnej szmatki.

- Nie należy używać agresywnych środków czyszczących ani rozpuszczalników.
- Do wnętrza urządzenia nie może dostać się woda.
- Nie pozostawiać podkaszarki opartej o podłoże na długi okres, gdyż może to spowodować odkształcenie osłony, co spowoduje zagrożenie dla bezpieczeństwa. Zawieszać narzędzie nad podłogą za górny uchwyt.
- Normalne zużycie nie jest objęte gwarancją;
- Narzędzie było używane niezgodnie z przeznaczeniem, źle z nim się obchodzono lub było nieprawidłowo konserwowane;
- Użyto części zamiennych innych niż oryginalne.

### Czyszczenie

Regularnie czyść obudowę urządzenia miękką ściereczką, najlepiej po każdym użyciu. Szczeliny wentylatora należy czyścić z kurzu i ziemi. Jeżeli ziemia nie chce zejść, należy użyć miękkiej szmatki oraz wody z mydłem. Nie używać żadnych rozpuszczalników, takich jak benzyna, alkohol, amoniak itp., ponieważ takie substancje mogą powodować uszkodzenie części z tworzyw sztucznych.

Niniejsza gwarancja to wyłączna gwarancja producenta i nie obowiązują żadne inne wyrażone ani dorozumiane gwarancje. Nie obowiązują żadne inne wyrażone ani dorozumiane gwarancje o zakresie przekraczającym niniejszą gwarancję, co obejmuje dorozumiane gwarancje przydatności do sprzedaży i przydatności do określonego celu. W żadnym przypadku firma VONROC nie ponosi odpowiedzialności za straty przypadkowe lub wynikowe. Zadośćuczynienie sprzedawcy jest ograniczone do naprawy lub wymiany niezgodnych urządzeń lub części.

## SRODOWISKO



*Uszkodzone i/lub niepotrzebne urządzenia elektryczne lub elektroniczne podlegają zbiórce w odpowiednich punktach recyklingu.*

### Tylko kraje WE

Nie wyrzucać elektronarzędzi wraz z odpadami z gospodarstw domowych. Zgodnie z dyrektywa 2012/19/WE dotycząca zużytych urządzeń elektrycznych i elektronicznych oraz jej wdrożeniem do prawodawstwa krajowego, elektronarzędzia, które już nie nadają się do użytku, podlegają oddzielnej zbiórce oraz utylizacji w sposób przyjazny dla środowiska.

## GWARANCJA

Produkty VONROC są wytwarzane zgodnie z najwyższymi standardami jakości i producent udziela gwarancji na wady materiałowe i wady wykonania na okres wymagany prawem, licząc od dnia zakupu. Jeśli wystąpi usterka produktu w tym okresie spowodowana wadą materiałową i/lub wadą wykonania, proszę bezpośrednio skontaktować się ze sprzedawcą VONROC.

Następujące okoliczności powodują unieważnienie gwarancji:

- Przeprowadzono naprawy lub modyfikacje narzędzia w serwisie innym lub autoryzowany lub podjęto ich próbę;

**Produkt i instrukcja obsługi podlegają zmianom. Dane techniczne podlegają zmianom bez uprzedzenia.**

## 1. INSTRUCȚIUNI DE SIGURANȚĂ

Citiți avertizările de siguranță, avertizările de siguranță suplimentare și instrucțiunile. Nerespectarea avertizărilor de siguranță poate cauza producerea de electrocutări, incendii și/sau răniri grave. Păstrați avertizările de siguranță și instrucțiunile pentru referințe viitoare.

Acest aparat poate fi utilizat de copiii cu vârsta de peste 8 ani și de către persoane cu capacități fizice, senzoriale sau mentale reduse sau de către persoane lipsite de experiență și cunoștințe dacă acestea au fost supravegheate și instruite cu privire la utilizarea aparatului în condiții de siguranță și înțeleg riscurile pe care le implică. Copii nu au voie să se joace cu aparatul. Curățarea și operațiunile de întreținere nu trebuie efectuate de copii fără supraveghere.

În manualul de utilizare sau pe produs se utilizează următoarele simboluri:



Citiți manualul de utilizare.



Indică riscul de rănire personală, pierderea vieții sau deteriorarea încălzitorului în cazul în care nu se respectă instrucțiunile din acest manual.



Asigurați-vă că persoanele din jur nu sunt rănite de obiecte aruncate.



Avertisment: Păstrați o distanță de siguranță față de produs în timpul funcționării.



Oprțiți și scoateți ștecherul de la rețea înainte de reglare, curățare sau în cazul în care cablul este încurcat și înainte de a lăsa produsul nesupravegheat pentru orice perioadă de timp. Țineți cablul flexibil de alimentare ferit față de linia de tăiere.



Asigurați-vă că persoanele din jur nu sunt rănite de obiecte proiectate. Atenționare: Păstrați o distanță sigură față de mașină atunci când funcționează.



Pericol de electrocutare.



Purtați protecții antifonice.



Purtați ochelari de protecție.



Purtați mănuși de protecție.



Purtați cizme de protecție.



Nu expuneți la ploaie.



Verificați cu atenție zona în care unealta trebuie utilizată pentru a vedea dacă există animale sălbatice și animale de companie. Animalele sălbatice și animalele de companie pot fi rănite în timp ce mașina este utilizată. Verificați cu atenție zona de lucru și îndepărtați pietrele, bețele, firele, oasele și obiectele străine. Când utilizați mașina, asigurați-vă că nu există animale sălbatice, animale de companie sau cioturi mici de copaci în iarba deasă.



Mașină clasa II - Izolație dublă - Nu aveți nevoie de nicio priză de împământare.



Produsul este în conformitate cu standardele de siguranță aplicabile din directivele europene.



Nivelul de putere sonoră garantat  
LWA = 96 dB(A)

### REGULI GENERALE DE PROTECȚIA MUNCII



**AVERTISMENT! Citiți toate avertizările de siguranță și toate instrucțiunile.** Respectarea tuturor instrucțiunilor prezentate în cele ce urmează este obligatorie pentru evitarea riscurilor de electrocutare, incendiu și/sau de vătămări grave.

#### Păstrați aceste instrucțiuni.

Termenul "sculă electrică" ce apare în toate avertismentele de mai jos se referă la scula electrică alimentată la priză (prin cablu de alimentare) sau la scula electrică alimentată prin acumulatori (fără cablu de alimentare).

#### 1) Spațiul de lucru

- a) **Mențineți spațiul de lucru curat și bine iluminat.** Spațiile de lucru dezordonate și întunecate predispun la accidente.



- b) **Nu utilizați sculele electrice în medii explozive, ca de exemplu în prezența unor materiale inflamabile cum ar fi lichide, gaze sau praf.** Sculele electrice produc scântei, care pot aprinde praful sau vaporii.
- c) **În timpul lucrului cu o sculă electrică, nu lăsați copiii sau privitorii să se apropie.** Micșorarea atenției vă poate face să pierdeți controlul.
- 2) Securitatea din punct de vedere electric**
- a) **Ștecherile sculelor electrice trebuie să se potrivească în priza de alimentare. Nu modificați ștecherul niciodată și în nici un fel. Nu folosiți ștechere de adaptare pentru scule electrice cu legare la pământ (împământate).** Ștecherele nemodificate și prizele de alimentare corespunzătoare vor reduce riscul de electrocutare.
- b) **Evitați contactul corporal cu suprafețele împământate, cum ar fi conducte, radiatoare, plite sau frigidere.** Există un risc sporit de electrocutare în cazul în care corpul dumneavoastră este legat la pământ.
- c) **Nu expuneți sculele electrice la ploaie sau la umezeală.** În urma intrării apei într-o sculă electrică va crește riscul de electrocutare.
- d) **Nu forțați cablul de alimentare. Nu folosiți niciodată cablul de alimentare pentru transportul, tragerea sau scoaterea din priză a sculei electrice. Țineți cablul de alimentare departe de sursele de căldură, petrol, vârfuri ascuțite sau de piese în mișcare.** Cablurile de alimentare deteriorate sau încălcite duc la creșterea riscului de electrocutare.
- e) **Atunci când folosiți o sculă electrică în exterior, utilizați un prelungitor corespunzător lucrului în exterior.** Utilizarea unui prelungitor corespunzător lucrului în exterior reduce riscul de electrocutare.
- f) **În cazul în care operarea unei unelte electrice într-un spațiu cu umiditate nu poate fi evitată, utilizați o alimentare cu dispozitiv de protecție la curent rezidual (RCD).** Utilizarea unui dispozitiv RCD reduce riscul electrocutării.
- 3) Securitatea personală**
- a) **Atunci când folosiți o sculă electrică fiți concentrat, fiți atent la ceea ce faceți și acționați conform bunului simț. Nu folosiți o sculă electrică atunci când sunteți sub influența drogurilor, alcoolului sau a medicamentelor.** Un moment de neatenție în timpul utilizării sculelor electrice poate duce la vătămări personale grave.
- b) **Utilizați echipamentul de protecție corporală. Folosiți întotdeauna ochelari de protecție.** Folosirea echipamentelor de protecție conform condițiilor de lucru, ca de exemplu măști de praf, încălțăminte de protecție anti-alunecare, căști de protecție sau antifoane va reduce vătămările personale.
- c) **Evitați pornirea accidentală. Înainte de a introduce scula electrică în priza de alimentare, asigurați-vă că aveți comutatorul de acționare în poziția oPRiT (off).** Transportarea uneltelor electrice ținând degetul pe întrerupător sau alimentarea cu tensiune a uneltelor electrice ce au întrerupătorul în poziția pornit înlesnesc producerea.
- d) **Înainte de a pune în funcțiune scula electrică, îndepărtați toate penele sau cheile de reglare.** O cheie sau o pană care au fost lăsate atașate de o parte rotativă a sculei electrice poate duce la vătămări personale.
- e) **Nu vă întindeți pentru a ajunge la punctul de lucru.** Mențineți permanent un contact ferm al piciorului și un echilibru stabil. În acest fel puteți controla mai bine scula electrică în situații neprevăzute.
- f) **Îmbrăcați-vă în mod adecvat. Nu purtați haine largi sau bijuterii. Părul, hainele și mânușile trebuie menținute departe de părțile în mișcare.** Hainele largi, părul și bijuteriile pot fi agățate și prinse de părțile în mișcare.
- g) **Dacă dispozitivele sunt construite pentru a fi conectate la echipamente de extragere și colectare a prafului, asigurați-vă că aceste echipamente sunt conectate și funcționează corect.** Folosirea unor astfel de echipamente poate reduce pericolele legate de praf.
- h) **Nu lăsați ca obișnuința obținută prin utilizarea frecventă a uneltelor să vă permită să deveniți impasibil și să ignorați principiile de siguranță în utilizarea uneltelor.** O acțiune neglijentă poate provoca accidente grave într-o fracțiune de secundă.
- 4) Utilizarea și întreținerea sculei electrice**
- a) **Nu forțați scula electrică. Folosiți scula electrică adecvată operațiunii care trebuie efectuată.** O sculă electrică adecvată își va efectua mai bine și mai în siguranță sarcina deoarece este folosită la parametrii pentru care a fost proiectată.
- b) **Nu folosiți scula electrică în cazul în care comutatorul de acționare nu realizează pornirea**



și **oprirea acesteia**. Orice sculă electrică ce nu poate fi comandată cu ajutorul comutatorului de acționare este periculoasă și trebuie reparată.

- c) **Înainte de a efectua orice fel de reglaje, schimbări ale accesoriilor sau pe perioada depozitării sculelor electrice deconectați ștecherul de la sursa de energie electrică.** Astfel de măsuri preventive reduc riscul de pornire accidentală a sculei electrice.
- d) **Nu depozitați sculele electrice neutilizate la îndemâna copiilor și nu permiteți persoanelor care nu sunt familiare cu sculele electrice sau cu prezentele instrucțiuni să le utilizeze.** Sculele electrice sunt periculoase atunci când sunt utilizate de către persoane neinstruite.
- e) **Întrețineți sculele electrice. Verificați alinierea sau prinderea părților în mișcare, verificați componentele sculei pentru a vă asigura că nu sunt sparte și, de asemenea, verificați orice alte situații care ar putea afecta funcționarea sculei electrice. Dacă scula electrică se defectează, reparați-o înainte de a o refolosi.** Sculele electrice întreținute necorespunzător duc la producerea multor accidente.
- f) **Mențineți sculele așchietoare ascuțite și curate.** Sculele așchietoare întreținute corespunzător, având muchiile tăietoare ascuțite, se înțepenesc mai greu și sunt mai ușor de controlat.
- g) **Utilizați sculele electrice, accesoriile și burghiile etc., în conformitate cu prezentele instrucțiuni și în mod corespunzător tipului de sculă electrică utilizat, ținând seama de condițiile de lucru și de sarcina care trebuie efectuată.** Utilizarea unor scule electrice pentru operații diferite de cele pentru care acestea au fost proiectate poate duce la situații periculoase.
- h) **Țineți mânerul și suprafețele de prindere uscate, curate și lipsite de ulei și unsoare.** Mânere și suprafețele de prindere alunecoase nu permit manipularea și controlul uneltei în de siguranță în situații neașteptate.

## 5) Service

- a) **Prevedeți repararea uneltei de lucru de către o persoană calificată, folosind exclusiv piese de schimb identice.** Astfel, vă asigurați că este păstrată siguranța uneltei electrice.

## INSTRUCȚIUNI SUPLIMENTARE DE SIGURANȚĂ PENTRU TRIMMERELE DE TUNS IARBA

- Păstrați zona în care lucrați curată și ordonată.
- Evitați să folosiți trimmerul în condiții de ploaie sau umede, mai ales atunci când există riscul de fulgere.
- Lucrați numai la lumina zilei sau cu iluminat artificial bun.
- Nu utilizați uneltele electrice în locuri în care există un risc de producere a unui incendiu sau a unei explozii - de ex. în apropierea lichidelor sau gazelor inflamabile. Uneltele electrice generează scânteii care pot aprinde pulberea sau fumurile inflamabile.
- Nu folosiți niciodată mașina atunci când sunteți obosit, bolnav sau sub influența alcoolului sau a unor medicamente.
- Purtați întotdeauna cizme, mănuși și pantaloni lungi. Nu purtați haine largi, bijuterii, pantaloni scurți, sandale și nu lucrați niciodată desculți.
- Purtați protecție pentru ochi și protecție pentru urechi atunci când folosiți mașina
- Păstrați un echilibru și un echilibru ferm. Nu vă întindeți pentru a lucra.
- Nu permiteți niciodată copiilor sau persoanelor nefamiliarizate cu instrucțiunile să utilizeze trimmerul. Legile locale pot limita vârsta operatorului. Când nu este folosit, nu depozitați trimmerul la îndemâna copiilor.
- Nu utilizați niciodată trimmerul atunci când în apropiere se află persoane în special copii sau animale de companie
- Nu puneți mâinile sau picioarele lângă sistemul de tăiere.
- Nu montați niciodată elemente de tăiere a metalului pe acest aparat de tuns.
- Inspectați și întrețineți mașina de tuns gard viu în mod regulat.
- Nu acționați niciodată trimmerul cu protecții sau apărătoare lipsă sau rupte sau fără protecții sau apărătoare în poziție.
- Înainte de a utiliza aparatul și după orice fel de impact, verificați aparatul pentru a depista semnele de uzură sau deteriorare și reparați-l dacă este necesar
- Așteptați până când linia bobinei s-a oprit complet înainte de a o atinge. Linia bobinei continuă să se rotească după oprirea trimmerului; un fir rotativ poate provoca răniri.
- Utilizarea trimmerului în iarbă umedă scade eficiența performanței.

- Opriiți când transportați trimmerul în și din zona de lucru.
- Porniți motorul doar când mâinile și picioarele sunt la depărtare de mijloacele de tăiere.
- Dispuneți repararea trimmerului numai de către un agent autorizat de service clienți.
- Asigurați-vă întotdeauna că fantele de ventilare nu prezintă depuneri
- Depozitați aparatul într-un loc sigur și uscat, care să nu fie la îndemâna copiilor. Nu așezați obiecte grele pe mașină
- Nu folosiți mașina fără a atașamentului firului fixat.
- Nu forțați unealta - lăsați-o să funcționeze în ritmul pentru care a fost concepută.
- Recomandăm cu tărie utilizarea unui RCD (dispozitiv de curent rezidual) de cel mult 30 mA, la ștecher, atunci când utilizați acest aparat.
- Nu lăsați cablul de alimentare să fie dispus peste obiecte ascuțite care ar putea străpunge izolația exterioră. Efectuați o verificare vizuală a cablului de alimentare înainte de utilizare și, dacă este deteriorat, înlocuiți-l cu un centru de service specializat. Nu utilizați aparatul în cazul în care cablurile sunt deteriorate sau uzate.
- În cazul în care cablul se deteriorează în timpul utilizării, deconectați-l imediat de la rețeaua electrică. **NU ATINGEȚI CABLUL ÎNAINTE DE A DECONNECTA ALIMENTAREA.** Nu utilizați aparatul dacă cablul sau cablul prelungitor sunt deteriorate.
- Țineți cablul prelungitor la distanță de elementele de tăiat.
- Atunci când utilizați unealta, asigurați-vă întotdeauna că apărătoarele sunt montate.
- Verificați dacă cablul nu este deteriorat înainte de a începe lucrul și înlocuiți-l dacă este necesar.
- Inspectați și întrețineți mașina de tuns gard viu în mod regulat. Prevedeți repararea mașinii de tuns gard viu numai de către un agent de reparații autorizat.
- Scoateți ștecherul din priză înainte de a efectua orice activități de întreținere.



*Pericol! Când opriiți mașina, așteptați ca mașina și bobina să se oprească complet înainte de a pune mașina jos.*

- Deconectați întotdeauna trimmerul de la rețea atunci când îl lăsați nesupravegheat.
- După extinderea liniei de tăiere noi sau înlocui-

rea liniei de bobină. Porniți întotdeauna trimmerul în poziția sa normală de funcționare înainte de a porni. Verificați periodic starea capului de tăiere. Dacă bobina este deteriorată, opriiți-o, scoateți ștecherul priză și înlocuiți bobina.

- Nu folosiți mașina pentru a tăia iarba care nu se află la sol. De exemplu, nu tăiați iarba, care se află pe pereți sau pietre.
- Nu traversați drumuri sau cărări de pietriș cu mașina încă în funcțiune.
- Utilizați mașina numai conform instrucțiunilor din acest manual.
- Nu extindeți linia de tuns dincolo de protecție și nu acționați tunderea fără ambele linii extinse și instalate corect.
- Verificați periodic dacă piulițele, buloanele și șuruburile sunt strânse.

### Siguranța electrică



*Verificați întotdeauna ca tensiunea de la alimentarea cu energie să corespundă tensiunii de pe plăcuța cu specificații.*

tip X: În cazul în care cablul de alimentare este deteriorat, acesta trebuie să fie înlocuit cu un cablu sau un ansamblu special, disponibil la unitatea de service sau de la producător.

tip Y: În cazul în care cablul de alimentare este deteriorat, acesta trebuie înlocuit de către producător, de către agentul de service sau de către persoane calificate în mod similar, pentru a evita pericolele.

- Nu utilizați mașina în cazul în care cablul de alimentare și/sau fișa acestuia sunt deteriorate.
- Folosiți numai cabluri prelungitoare adecvate pentru puterea mașinii cu o grosime minimă de 1,5 mm<sup>2</sup>. Dacă utilizați o bobină de cablu de extensie, derulați întotdeauna complet cablul.

## 2. INFORMAȚII CU PRIVIRE LA MAȘINA

### Domeniul de utilizare

Acest trimmer este destinat utilizării în aer liber, pentru a tăia și tăia iarba și peluzele din grădinile private și hobby. Produsul este conceput pentru tăierea ierbii, buruienilor ușori și a altor vegetații similare la nivelul solului sau aproximativ. Trimmerul nu trebuie folosit pentru tăierea sau tunderea gardurilor vii, a tufșurilor sau a altor vegetații în

care planul de tăiere nu se află la nivelul suprafeței solului sau la nivelul acestuia. Nu folosiți trimmerul pentru a tăia sau a face compost. Nu folosiți acest aparat în ploaie.

## SPECIFICAȚII TEHNICE

Nr. model	GT502AC
Tensiunea	230V
Frecvența rețelei AC	50Hz
Turatie la mers în gol	11.500/min
Diametru de tăiere	230 mm
Sistem de tăiere	Bobină de fir cu 2 linii, „Tap and go” Ø1,2mm x 4m
Greutate	1,26 kg
Nivelul presiunii sonore $L_{PA}$	80 dB(A) K=3 dB(A)
Nivelul puterii sonore $L_{WA}$	89,4 dB(A) K=1,96 dB(A)
Vibrație	$\leq 2,5 \text{ m/s}^2$ K=1,1 $\text{m/s}^2$

Valoare garantată conform directivei privind zgomotul:  $L_{WA} 96\text{dB(A)}$

### Nivelul vibrațiilor

Nivelul emisiilor de vibrații menționat în acest manual de instrucțiuni a fost măsurat în conformitate cu un test standardizat precizat în EN 60335-1 și EN 50636-2-91; poate fi folosit pentru a compara o sculă cu alta și ca evaluare preliminară a expunerii la vibrații atunci când folosiți scula pentru aplicațiile menționate:

- utilizarea sculei pentru aplicații diferite sau cu accesorii diferite și prost întreținute, poate crește semnificativ nivelul de expunere;
- momentele în care scula este oprită sau când funcționează dar nu execută nicio lucrare, pot reduce semnificativ nivelul de expunere.

Protejați-vă împotriva efectelor vibrațiilor prin întreținerea sculei și a accesoriilor sale, păstrând mâinile calde și organizând procesele de lucru.

## DESCRIERE

Numerele din text se refera la diagramele de la paginile 2-5.

1. Mâner
2. Comutator pornire/oprire
3. Cârlig pentru cablu
4. Mâner frontal

5. Cablu de alimentare
6. Carcasă superioară
7. Carcasă inferioară
8. Apărătoare de protecție
9. Ansamblu bobină
10. Șurub carcasă
11. Șurub apărătoare
12. Crestătură
13. Lamă
14. Capac bobină
15. Bobină de fir
16. Arc
17. Suport bobină

## 3. ASAMBLAREA



*Pericol de tăiere când unitatea pornește accidental. Înainte de a monta unitatea, asigurați-vă că cablul de alimentare este deconectat.*

### Asamblarea carcasei (Fig. A, B, C)

1. Introduceți carcasa inferioară (7) în carcasa superioară (6), așa cum se arată în figura B. Asigurați-vă că firul nu este întins sau prins când faceți acest lucru.
2. Fixați ambele părți ale carcasei folosind șuruburile de carcasă (10), așa cum se arată în figura C. Folosiți un șurub pe ambele părți ale carcasei.

### Montarea apărătoarei de protecție (Fig. A, D)

1. Puneți apărătoarea de protecție (8) pe carcasa inferioară (7) punând mai întâi protecția în creștătură (12) și apoi trăgând protecția în sus.
2. Fixați acum protecția cu ajutorul șurubului de protecție (11). O apărătoare de protecție asamblată corect este prezentată în figura D.

### Înlocuirea bobinei de fir (Fig. F1)



*Înainte de a înlocui bobina, curățați mașina de orice murdărie.*

- Îndepărtați capacul bobinei (14) apăsând cele două butoane de pe fiecare parte a capacului bobinei.
- Scoateți bobina (15), dar lăsați arcul (16) în interior.
- Luați noua bobină (GT802AA) și așezați-o peste arc (16). Asigurați-vă că firele sunt trecute prin orificiile din interiorul suportului bobinei (17).

- Acoperiți noua bobină cu capacul bobinei (14) și asigurați-vă că butoanele capacului bobinei (14) sunt aliniate corect cu orificiile din interiorul suportului bobinei (17).

## 4. OPERAREA

### Utilizarea sistemului „tap and go” (Fig. A, D)

Pentru a activa sistemul „tap and go”, capacul din plastic din fața lamei (13) din protecția de protecție (8) trebuie să fie îndepărtat.



*Nu atingeți lama (13) în apărătoria de protecție (8) pentru a preveni rănirea.*

- Când firul este prea scurt, porniți mașina și apăsați vârful bobinei (15) pe sol (asigurați-vă că faceți acest lucru pe o suprafață dură).
- Acest lucru va elibera firul pentru a deveni mai lung.
- Firul va fi tăiat automat pe lungimea corectă de lama (13) montată în protecția de protecție (8).

### Utilizarea mânerului pentru cablu (fig. A, E)

Pentru a ajuta la fixarea fișei de cablul prelungitor, faceți o buclă în cablul prelungitor și atașați-l la cârligul cablului așa cum se arată (consultați Fig. E). Odată securizat, atașați cablul la ștecher. Acest lucru va preveni „extragerea” accidentală.

### Utilizarea trimmerului



*Înainte de utilizare, verificați întotdeauna vizual mașina și piesele sale sunt montate corect, nu sunt uzate sau deteriorate.*

Țineți unitatea de partea superioară a mânerului (1) și mânerul frontal (4) astfel încât capul trimmerului să fie înclinat puțin înainte. Asigurați-vă că firul nu atinge obiecte dure, cum ar fi pereții, pietrele și gardurile, pentru a împiedica sudarea sau ruperea filamentului.

### Pornirea și oprirea (fig. A)

- Pentru a porni trimmerul, apăsați comutatorul de pornire/oprire (2).
- Pentru a opri, eliberați comutatorul de pornire/oprire (2).

## 5. ÎNTREȚINERE



*Faceți-vă siguri că aparatul nu este în funcțiune în timpul lucrărilor de întreținere la motor.*

Mașina a fost concepută pentru a opera o perioadă îndelungată de timp, cu un nivel minim de întreținere. Funcționarea satisfăcătoare continuă depinde de îngrijirea corespunzătoare a aparatului și de curățarea în mod regulat.

- Opriti alimentarea și scoateți ștecherul înainte de a curăța și depozita mașina.
- Mașina nu necesită lubrifiere suplimentară.
- Curățați carcasa și alte părți cu un detergent ușor și o cârpă umedă.
- Nu folosiți niciodată detergenți sau solvenți agresivi.
- Preveniți pătrunderea apei în mașină.
- Nu lăsați trimmerul așezat pe podea pentru perioade îndelungate, deoarece ar putea cauza alternarea formei de protecție, prezentând un risc pentru siguranță. Agățați-l de mânerul superior.

### Curățare

Curățați periodic carcasa mașinii cu o cârpă moale, de preferință după fiecare utilizare. Curățați fantele de aerisire de praf și murdărie. Dacă murdăria nu se desprinde, folosiți o cârpă moale, umezită cu apă cu săpun. Nu folosiți niciodată solvenți precum benzină, alcool, apă cu amoniac etc. Acești solvenți pot deteriora piesele din plastic.

## MEDIU



*Aparatele electrice sau electronice deteriorate și/sau defecte trebuie colectate în locurile de reciclare corespunzătoare.*

### Numai pentru țările din CE

Nu aruncați echipamentele acționate electric împreună cu gunoiul menajer. Conform Indicației europene 2012/19/EU pentru echipamente electrice și electronice uzate și a implementării sale la nivel național, echipamentele acționate electric scoase din uz trebuie colectate separat și evacuate într-o manieră ecologică.

## GARANȚIE

Produsele VONROC sunt realizate la cele mai înalte standarde de calitate și sunt garantate în privința materialelor și a manoperei pentru întreaga perioadă de utilizare în garanție, începând cu data achiziției. În cazul în care produsul se defectează în timpul perioadei de utilizare, contactați direct VONROC.

Următoarele circumstanțe sunt excluse de la această garanție:

- Reparațiile sau modificările care realizate sau care s-au încercat a fi efectuate de centre de service neautorizate.
- Uzura în condiții normale.
- Unealta care a fost abuzată, utilizată într-un mod neglijent sau întreținută în mod inadecvat.
- Folosirea unor piese de schimb neoriginale.

Aceasta acoperă garanția companiei, explicită sau implicită. Nu există alte garanții explicite sau implicite care să se extindă dincolo de cele indicate aici, incluzând garanțiile, vandabilitatea sau adecvarea pentru un anumit scop. În nicio situație, VONROC nu este responsabil pentru daunele incidentale sau consecvențiale. Reparațiile efectuate de reprezentant trebuie să fie limitate la reparațiile sau la înlocuirea unităților sau a pieselor neconforme.

**Produsul și manualul de utilizare pot suferi modificări. Specificațiile se pot modifica fără notificare prealabilă.**





## DECLARATION OF CONFORMITY GT502AC - GRASS TRIMMER

- (EN) We declare under our sole responsibility that this product is in conformity with directive 2011/65/EU of the European parliament and of the council of 8 June on the restriction of the use of certain hazardous substances in electrical and electronic equipment is in conformity and accordance with the following standards and regulations:
- (DE) Der Hersteller erklärt eigenverantwortlich, dass dieses Produkt der Direktive 2011/65/EU des Europäischen Parlaments und des Rats vom 8. Juni 2011 über die Einschränkung der Anwendung von bestimmten gefährlichen Stoffen in elektrischen und elektronischen Geräten entspricht. den folgenden Standards und Vorschriften entspricht:
- (NL) Wij verklaren onder onze volledige verantwoordelijkheid dat dit product voldoet aan de conform Richtlijn 2011/65/EU van het Europees Parlement en de Raad van 8 juni 2011 betreffende beperking van het gebruik van bepaalde gevaarlijke stoffen in elektrische en elektronische apparatuur en in overeenstemming is met de volgende standaarden en reguleringen:
- (FR) Nous déclarons sous notre seule responsabilité que ce produit est conforme aux standards et directives suivants: est conforme à la Directive 2011/65/EU du Parlement Européen et du Conseil du 8 juin 2011 concernant la limitation d'usage de certaines substances dangereuses dans l'équipement électrique et électronique.
- (ES) Declaramos bajo nuestra exclusiva responsabilidad que este producto cumple con las siguientes normas y estándares de funcionamiento: se encuentra conforme con la Directiva 2011/65/UE del Parlamento Europeo y del Consejo de 8 de junio de 2011 sobre la restricción del uso de determinadas sustancias peligrosas en los equipos eléctricos y electrónicos.
- (IT) Dichiariamo, sotto la nostra responsabilità, che questo prodotto è conforme alle normative e ai regolamenti seguenti: è conforme alla Direttiva 2011/65/UE del Parlamento Europeo e del Consiglio dell'8 giugno 2011 sulla limitazione dell'uso di determinate sostanze pericolose nelle apparecchiature elettriche ed elettroniche.
- (SV) Vi garanterar på eget ansvar att denna produkt uppfyller och följer följande standarder och bestämmelser: uppfyller direktiv 2011/65/EU från Europeiska parlamentet och EG-rådet från den 8 juni 2011 om begränsningen av användning av farliga substanser i elektrisk och elektronisk utrustning.
- (DA) Vi erklærer under eget ansvar, at dette produkt er i overensstemmelse med følgende standarder og bestemmelser: er i overensstemmelse med direktiv 2011/65/EU fra Europa-Parlamentet og Rådet af 8. juni 2011 om begrænsning af anvendelsen af visse farlige stoffer i elektrisk og elektronisk udstyr.
- (PL) Deklarujemy na własną odpowiedzialność, że ten produkt spełnia wymogi zawarte w następujących normach i przepisach: jest zgodny z Dyrektywą 2011/65/UE Parlamentu Europejskiego i Rady z dnia 8 czerwca 2011 r. w sprawie ograniczenia stosowania niektórych niebezpiecznych substancji w sprzęcie elektrycznym i elektronicznym.
- (RO) Declaram prin aceasta cu răspunderea deplină că produsul acesta este în conformitate cu următoarele standarde sau directive: este în conformitate cu Directiva 2011/65/UE a Parlamentului European și a Consiliului din 8 iunie 2011 cu privire la interzicerea utilizării anumitor substanțe periculoase la echipamentele electrice și electronice.

Measured sound power level: 89.4 dB(A)

Guaranteed sound power level: 96 dB(A)

Conformity assessment method to Annex VI Directive 2000/14/EC amended by 2005/88/EC.

The notified body involved: TÜV SÜD Industrie Service GmbH, Certification Body of the Notified Body 0036

**EN 60335-1, EN 50636-2-91, EN 62233, EN 55014-1, EN 55014-2, EN 61000-3-2, EN 61000-3-3**

**2006/42/EC, 2014/30/EU, 2005/88/EC, 2000/14/EC, 2012/19/EC, 2011/65/EU**

Zwolle, 01-04-2022

H.G.F Rosberg  
CEO

**VONROC • Lingenstraat 6 • 8028 PM Zwolle • The Netherlands**



**VONROC®**  
BUILD YOUR FUTURE

©2022 VONROC  
[WWW.VONROC.COM](http://WWW.VONROC.COM)

2204-26