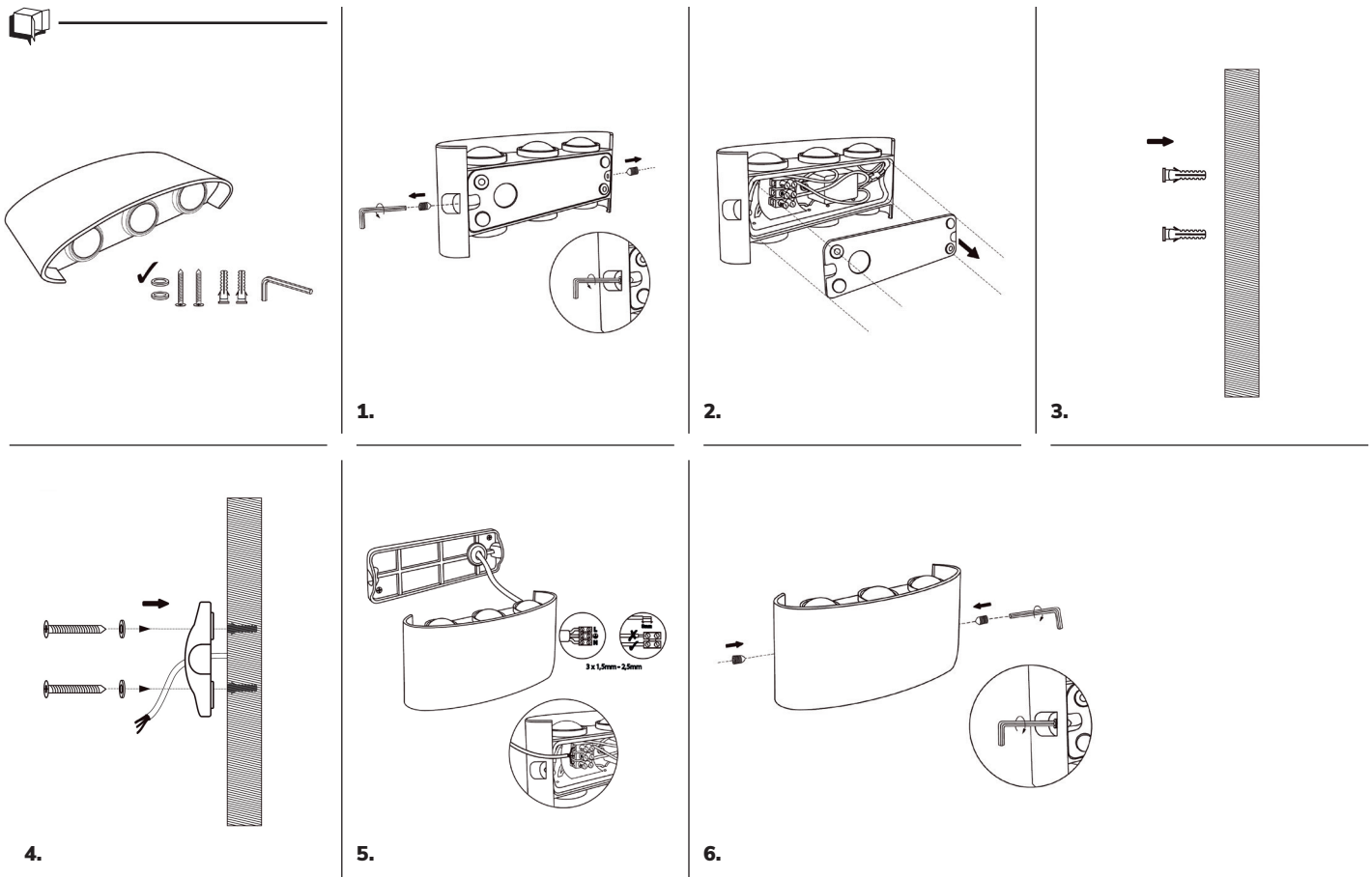


USER MANUAL TULSA DIMMABLE LED WALL LIGHT

IMPORTANT SAFETY DETAILS

1. Ensure the AC/Mains power is NOT connected and cannot be unexpectedly reconnected during installation.
2. This product must be installed by a qualified electrician in accordance with instructions provided and in compliance with recognised electrical and safety regulations relevant to the country it is being installed.
3. This product may NOT be installed by minors or people with a mental disability.
4. The product should NOT be covered with insulation material at any time. Unless using a model with an insulation guard.
5. This product has a protective contact/terminal. Failure to connect the protective lead may lead to electric shock.
6. This product must not be used in unfavourable conditions, e.g. under water, vibrations, explosive air atmosphere, fumes, or chemical fumes, etc.
7. Product can only be supplied by rated voltage or voltage within the range provided.
8. It's forbidden to use the product with damaged protective cover.
9. Do NOT look directly at LED light beam.

INSTALLATION DETAILS



THANK YOU FOR PURCHASING SUSTAINABLE LED LIGHTING

EN

WOULD YOU LIKE TO SEE THE COMPLETE INSTALLATION MANUAL?

Scan the QR code below

DE

MÖCHTEN SIE DIE VOLLSTÄNDIGE INSTALLATIONSANLEITUNG SEHEN?

Scannen Sie den QR-Code unten

NL

WILT U DE VOLLEDIGE INSTALLATIEHANDLEIDING ZIEN?

Scan dan onderstaande QR-code



Imported by

HOF Trading B.V.

Fahrenheitstraat 11, 6003 DC Weert, The Netherlands

Made in P.R.C.