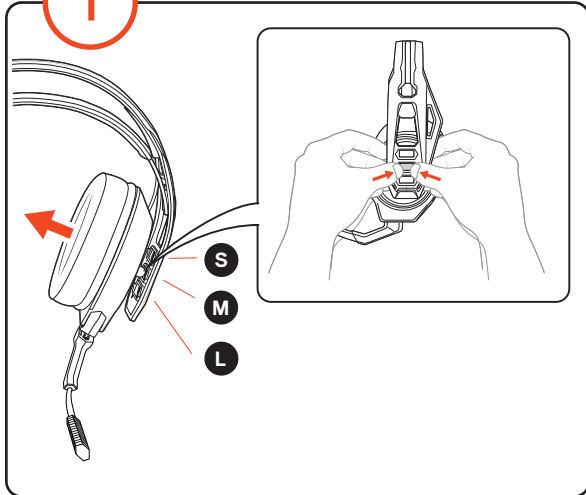


RIG 800 PRO HS

1 FIT / AJUSTEMENT

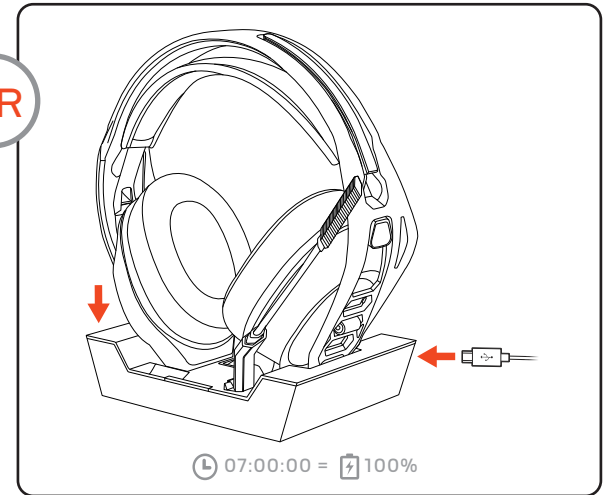


2 CHARGE / CHARGER

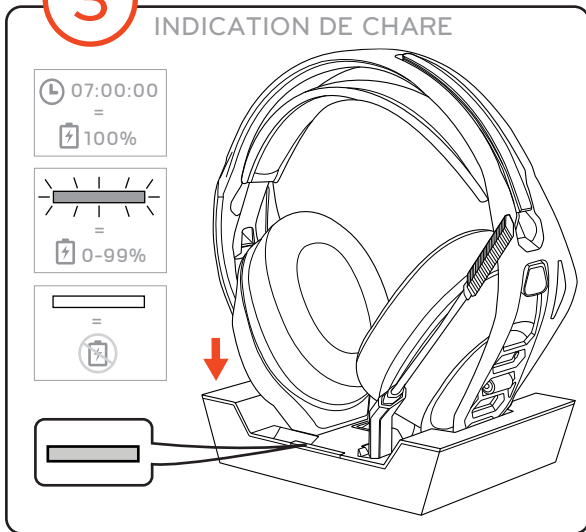


OR

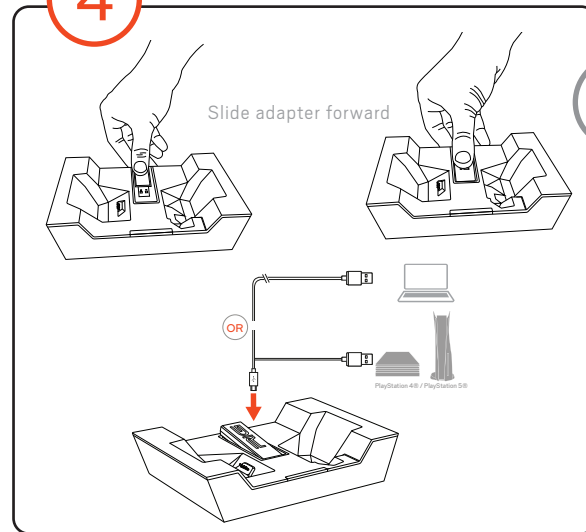
CHARGE / CHARGER



3 CHARGE INDICATION INDICATION DE CHARGE

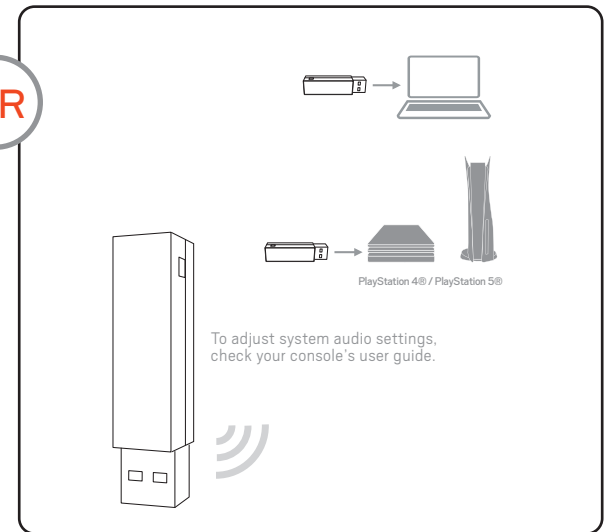


4 CONNECT / CONNEXION



OR

CONNECT / CONNEXION

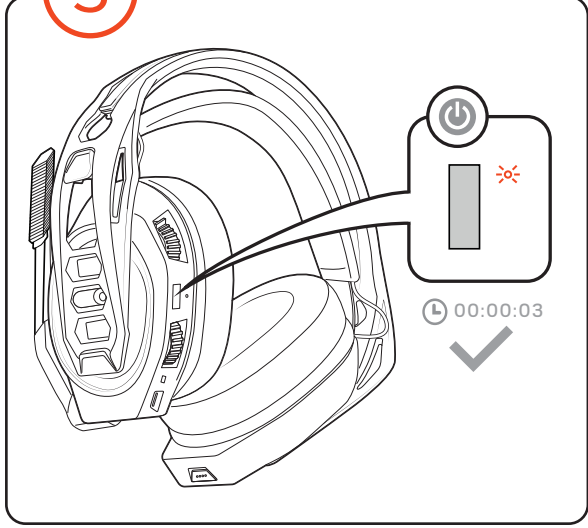


RIG 800 PRO HS

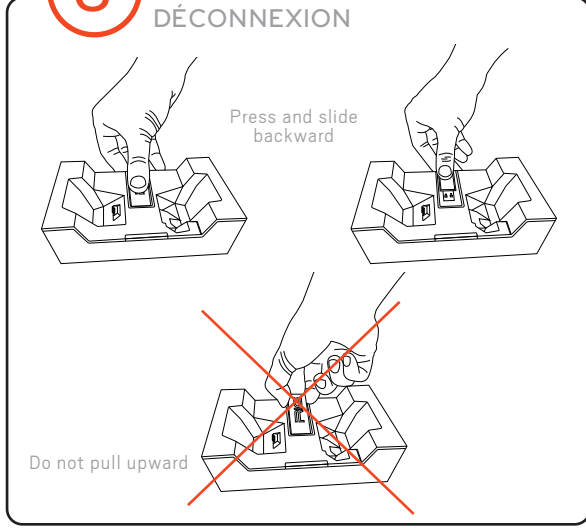
QUICK START GUIDE

GUIDE DE DÉMARRAGE RAPIDE

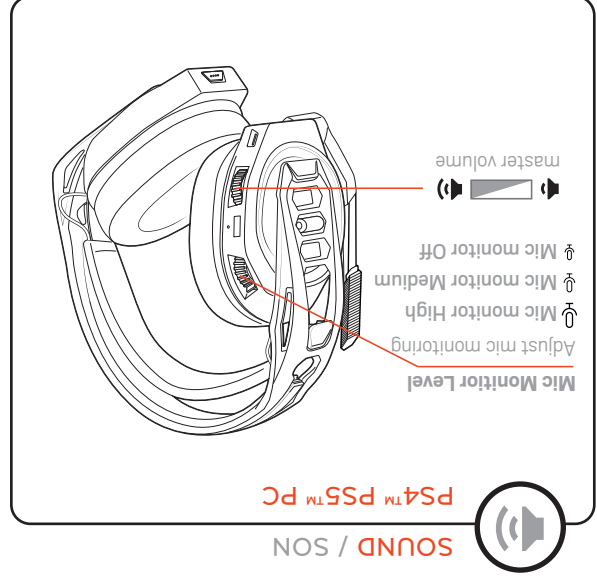
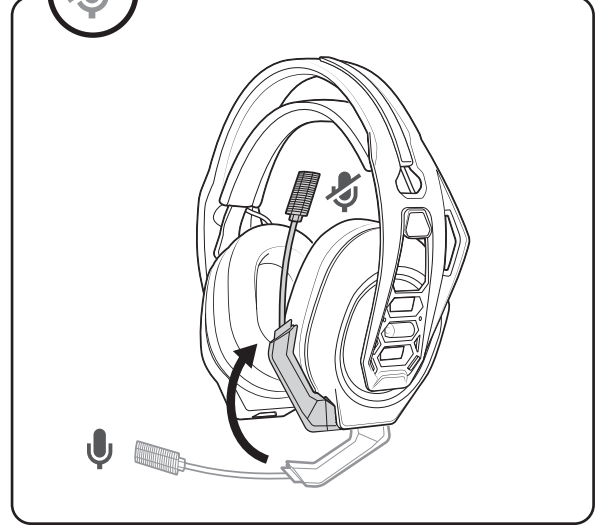
5 POWER / ALIMENTATION



6 DISCONNECT / DÉCONNEXION

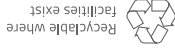


MUTE / MODE DISCRÉTION



©2021 NACON. NACON and RIG are trademarks of NACON, registered in the US and other countries. All trademarks are the property of their respective owners. "PlayStation", "PS5" and "PS4" are registered trademarks of Sony Interactive Entertainment Inc. All rights reserved. All other trademarks are the property of their respective owners. Patents: US D766,206; D800,092; CN ZL201630297792.3; EM 002814,079; 003494897; TW D184698; patents pending.

Headset model: RIG800PRO-HS, Dongle model: RIG 800PRO-HS.
100-1346-99 06 Z1



EN. Nacon hereby declares that the radio equipment type "RIG 800 PRO" complies with Directive 2014/53/EU. The full text of the EU declaration of conformity is available at the following web address: <https://my.nacongaming.com/support>.

Link to the full product declaration: <https://my.nacongaming.com/support>

FR. Par la présente Nacon déclare que l'équipement radioélectrique du type «RIG 800 PRO» est conforme à la directive 2014/53/UE. Le texte complet de la déclaration UE de conformité est disponible à l'adresse internet suivante : <https://my.nacongaming.com/support>.
Lien de la déclaration complète : <https://my.nacongaming.com/support>.

DE. Nacon erklärt hiermit, dass die Funkanlage des Typs "RIG 800 PRO" der Richtlinie 2014/53/EU entspricht. Der vollständige Text der EU-Konformitätserklärung kann unter der folgenden Internetadresse eingesehen werden: <https://my.nacongaming.com/support>.
Link zur vollständigen Produktdeklaration: <https://my.nacongaming.com/support>.

ES. Mediante la presente, Nacon declara que el equipo radioeléctrico del tipo "RIG 800 PRO" cumple la directiva 2014/53/UE. El texto integral de la Declaración de conformidad UE puede consultarse en el sitio siguiente web: <https://my.nacongaming.com/support>.
Enlace hacia la declaración completa del producto: <https://my.nacongaming.com/support>.

IT. Con la presente, Nacon dichiara che l'apparecchiatura radioelettrica del tipo "RIG 800 PRO" è conforme alla direttiva 2014/53/UE. Il testo completo della dichiarazione UE di conformità è disponibile accedendo al sito internet seguente: <https://my.nacongaming.com/support>.
Link alla dichiarazione completa del prodotto: <https://my.nacongaming.com/support>.

NL. Nacon verklaart bij deze dat de installatie voor radioverbinding van het type "RIG 800 PRO" voldoet aan de richtlijn 2014/53/EU. De volledige EU-conformiteitsverklaring is te raadplegen op de volgende website: <https://my.nacongaming.com/support>.
Link naar de volledige productverklaring: <https://my.nacongaming.com/support>.

PL. Niniejszym Nacon oświadczam, że sprzęt radiowo-elektryczny typu "RIG 800 PRO" jest zgodny z Dyrektywą 2014/53/UE. Pełny tekst deklaracji zgodności UE jest dostępny pod następującym adresem internetowym: <https://my.nacongaming.com/support>.
Link do pełnego tekstu deklaracji produktu: <https://my.nacongaming.com/support>.

RO. Prin prezenta, Nacon declară că echipamentul radioelectric de tip "RIG 800 PRO" este conform cu directiva 2014/53/UE. Textul complet al declarației UE de conformitate este disponibil la adresa de internet următoare: <https://my.nacongaming.com/support>.
Link către declarația completă a produsului: <https://my.nacongaming.com/support>.

Electrical parameters

RIG 800 PRO

	Operating Current	Frequency Range for speaker
Headset	< 30mA	20Hz - 20kHz
Dongle HS/HD	< 100mA	
Dongle HX	< 100mA	
Charging base	< 500mA	

en

EIRP: headset : <13dBm / dongle : <13dBm
Hereby, Nacon declares that the radio equipment type wireless controller/headset is in compliance with Directive 2014/53/EU.

Frequency band: (2,402 - 2,480) GHz

es

EIRP : Auriculares : <13dBm / dongle : <13dBm
Por la presente, Nacon declara que el equipamiento radioeléctrico del tipo de mando/auriculares está conforme con la directiva 2014/53/UE.

Banda de frecuencia: (2,402 - 2,480) GHz

de

EIRP : headset : <13dBm / dongle : <13dBm
Nacon erklärt hiermit, dass die Funkanlage des Typs kabellose Controller/Headsets der Richtlinie 2014/53/EU entspricht.

Frequenzband: (2,402 - 2,480) GHz

pt

EIRP : Auscultadores : <13dBm / dongle : <13dBm
Pela presente, a Nacon declara que o equipamento radioeléctrico do tipo manete/auricular sem fios está em conformidade com a diretiva 2014/53/UE.

Faixa de frequência: (2,402 - 2,480) GHz

nl

EIRP : Koptelefoon : <13dBm / dongle : <13dBm
Nacon verklaart bij deze dat de radioverbinding voor het type draadloze controller/headset voldoet aan de richtlijn 2014/53/EU.

Frequentieband: (2,402 - 2,480) GHz

it

EIRP : Auricolare : <13dBm / dongle : <13dBm
Con la presente, Nacon dichiara che l'apparecchiatura radioelettrica del tipo controller/cuffia wireless è conforme alla direttiva 2014/53/UE.

Banda di frequenza: (2,402 - 2,480) GHz

fr

EIRP : casque : <13dBm / dongle : <13dBm
Par la présente Nacon déclare que l'équipement radioélectrique du type manette/casque sans fil est conforme à la directive 2014/53/UE.

Bande de fréquence: (2,402 - 2,480) GHz

ru

EIRP : Наушники : <13dBm
Электронный ключ : <13dBm
диапазон частот: (2,402 - 2,480) GHz

sk

EIRP : Sluchadla : <13dBm / dongle : <13dBm
Frekvencné pasmo: (2,402 - 2,480) GHz

cz

EIRP : Sluchátka : <13dBm / dongle : <13dBm
kmitočtové pasmo: (2,402 - 2,480) GHz

sl

EIRP : Slušalke : <13dBm /
Zaščitni ključ : <13dBm
frekvenčni pas: (2,402 - 2,480) GHz

sv

EIRP : headset : <13dBm / dongel : <13dBm
frekvensband: (2,402 - 2,480) GHz

tr

EIRP : Kask : <13dBm / Kilit : <13dBm
Frekans bandı : (2,402 - 2,480) GHz

bg

EIRP : Слушалки : <13dBm / Донгъл : <13dBm
честотна лента: (2,402 - 2,480) GHz

el

EIRP : Ακουστικά : <13dBm
dongle USB : <13dBm

ζώνη συχνοτήτων: (2,402 - 2,480) GHz

fi

EIRP : Kypara : <13dBm / Kayttoavain : <13dBm
taajuusalue: (2,402 - 2,480) GHz

hr

EIRP : Kaciga : <13dBm / adapter : <13dBm
frekvencijski pojas: (2,402 - 2,480) GHz

hu

EIRP : Fejhallgató : <13dBm
dongle : <13dBm

frekvencia sáv: (2,402 - 2,480) GHz

it

EIRP : Ausinès : <13dBm
Saugumo raktas : <13dBm
dažnių juosta: (2,402 - 2,480) GHz

lv

EIRP : Uzliekamās austiņas : <13dBm
Atslēgspraudnis : <13dBm

frekvences josla: (2,402 - 2,480) GHz

pl

EIRP : Sluchawki : <13dBm / dongle : <13dBm
pasmo częstotliwości: (2402 - 2480) GHz

ro

EIRP : Cască : <13dBm / dongle : <13dBm
frekvences josla: (2402 - 2480) GHz

For EU region

Fabricant: Nacon 396-466, Rue de la Voyette
CRT2 59273 Fretin, France
support.fr@nacongaming.com
www.nacongaming.com

For US region

Nacon Gaming Inc.
1124 8th Street, Kirkland, WA 98033, USA
support.us@nacongaming.com
www.nacongaming.com

For Australia

146A Sussex, Pascoe Vale,
VIC, AUSTRALIA, 3044
support.us@nacongaming.com
www.nacongaming.com

CANADA

CAN ICES-3 (B)/NMB-3(B)



This equipment complies with IC radiation exposure limits set forth for an uncontrolled environment. Cet équipement est conforme aux limites d'exposition de radiation IC enonces pour un environnement non controle.

ICES statement: This devices complies with Industry Canada's license - exempt RSSs. Operation is subject to the following two conditions: (1) this device may not cause harmful interference, and (2) this device must accept any interference received, including interference that may cause undesired operation."



Your product is designed and manufactured with high quality materials and components, which can be recycled and reused. - Votre produit est conçu et fabriqué avec des matériaux et des composants de haute qualité, qui peuvent être recyclés et réutilisés.

©2022 NACON - NACON and RIG are trademarks of NACON. Registered in the US and others countries. All trademarks are the property of their respective owners.
100-1348-99. 08.2022

Made in China/Fabriqué en Chine/Сделано в Китае



Recyclable where facilities exist

RIG



REGULATORY COMPLIANCE INFORMATION
INFORMATIONS DE CONFORMITÉ RÉGLEMENTAIRE

Hearing damage statement / Déclaration sur les risques d'altération de l'ouïe



High sound pressure. *Pression acoustique élevée.*
Hearing damage risk. *Risques d'altération de l'ouïe.*
Do not listen at high volume levels for long periods. *N'écoutez pas à un volume élevé pendant des périodes prolongées.*

EN.

FCC: Declaration of Conformity
United states



Warning: Changes or modifications to this unit not expressly approved by the party responsible for compliance could void the user's authority to operate the equipment.

Note: This equipment has been tested and found to comply with the limits for a Class B digital device, pursuant to Part 15 of the FCC Rules. These limits are designed to provide reasonable protection against harmful interference in a residential installation. This equipment generates, uses and can radiate radio frequency energy and, if not installed and used in accordance with the instructions, may cause harmful interference to radio communications. However, there is no guarantee that interference will not occur in a particular television reception, which can be determined by turning the equipment off and on, the user is encouraged to try to correct the interference by one or more of the following measures:

- Reorient or relocate the receiving antenna.
- Increase the separation between the equipment and receiver.
- Connect the equipment into an outlet on a circuit different from that to which the receiver is connected.
- Consult the dealer or an experienced radio/TV technician for help.

