


| | | | | | | | |
|--|---------------------------------------|--|--|---------------------------------|---|--|------------------------|
| | Note! Bemærk! Achtung! | A noter Attentie! Obs! | ¡Atención! Attenzione! Atenção! | Huomaa! Προσοχή! | Внимание! Megjegyzés! Uwaga! | Dikkat! Upozornění! Pozor! | Opomba! |
| | Wrong Forkert Falsch! | Faux Fout! Fehl! | ¡Incorrecto! Sbagliato! Errado! | Väärin! 错误! Λάθος! | Неправильно! Hibás! Nieprawidłowo! | Yanlış! Špatně! Nesprávne! | Napačno! |
| | Correct Korrekt Richtig! | Vrai Goed! Rätt! | ¡Correcto! Giusto! Correto! | Oikein! 正确! Σωστό! | Правильно! Megfelelő! Prawidłowo! | Doğru! Správně! Správne! | Pravilno! |
| | Listen Lyt Hören! | Ecoutez! Luister! Lyssna! | ¡Escuche! Ascoltare! Ouça! | Kuuntele! Ακούστε! | Слушайте! Hallgassa meg! Sluchaj! | Dinle! Poslouchajte! Počúvajte! | Poslušajte! |

IMPORTANT SAFETY INSTRUCTIONS!

1. READ these instructions.
2. KEEP these instructions.
3. HEED all warnings.
4. FOLLOW all instructions.
5. DO NOT use this apparatus near water.
6. CLEAN ONLY with dry cloth.
7. DO NOT block any ventilation openings. Install in accordance with the manufacturer's instructions.
8. Do not install near any heat sources such as radiators, heat registers, stoves, or other apparatus (including amplifiers) that produce heat.
9. ONLY USE attachments/accessories specified by the manufacturer.
10. USE only with a cart, stand, tripod, bracket, or table specified by the manufacturer, or sold with the apparatus. When a cart is used, use caution when moving the cart/apparatus combination to avoid injury from tip-over. 
11. DO NOT expose this apparatus to dripping or splashing and ensure that no objects filled with liquids, such as vases, are placed on the apparatus.



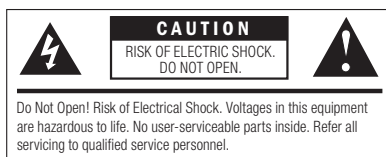
The exclamation point, within an equilateral triangle, is intended to alert the user to the presence of important operating and maintenance (servicing) instructions in the literature accompanying the product.



The lightning flash with arrowhead symbol within an equilateral triangle, is intended to alert the user to the presence of uninsulated "dangerous voltage" within the product's enclosure that may be of sufficient magnitude to constitute a risk of electrical shock to persons.

WARNING: To reduce the risk of fire or electrical shock, do not expose this apparatus to rain or moisture.

WARNING: No naked flame sources – such as candles – should be placed on the product.



EU COMPLIANCE INFORMATION:

Eligible to bear the CE mark, Conforms to European Union EMC Directive 2004/108/EC.

WEEE NOTICE

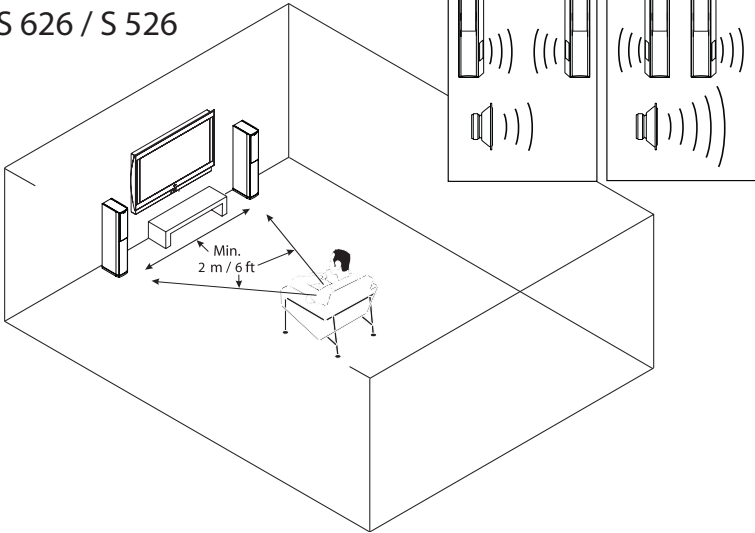
Note: This mark applies only to countries within the European Union (EU) and Norway.



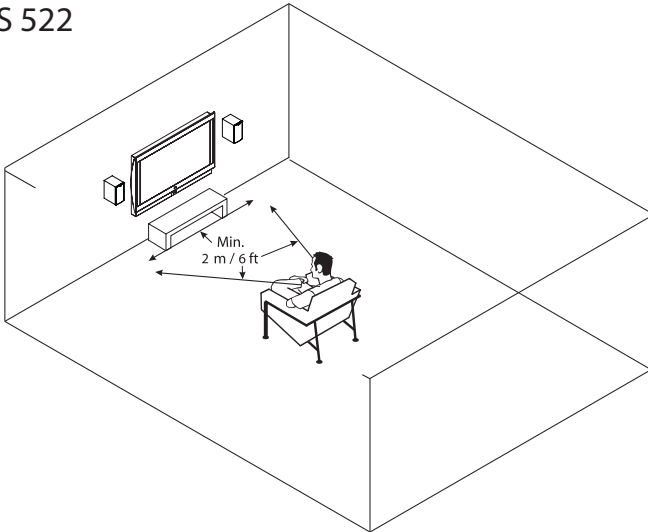
This appliance is labeled in accordance with European Directive 2002/96/EC concerning waste electrical and electronic equipment (WEEE). This label indicates that this product should not be disposed of with household waste. It should be deposited at an appropriate facility to enable recovery and recycling.

1 Placement

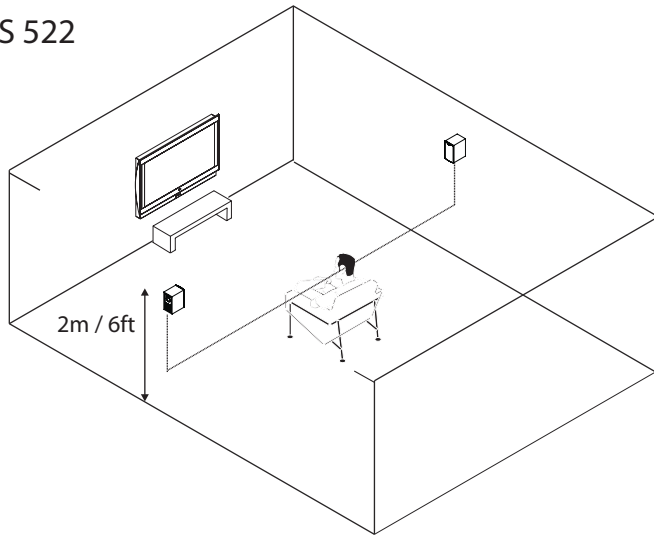
S 628 / S 626 / S 526



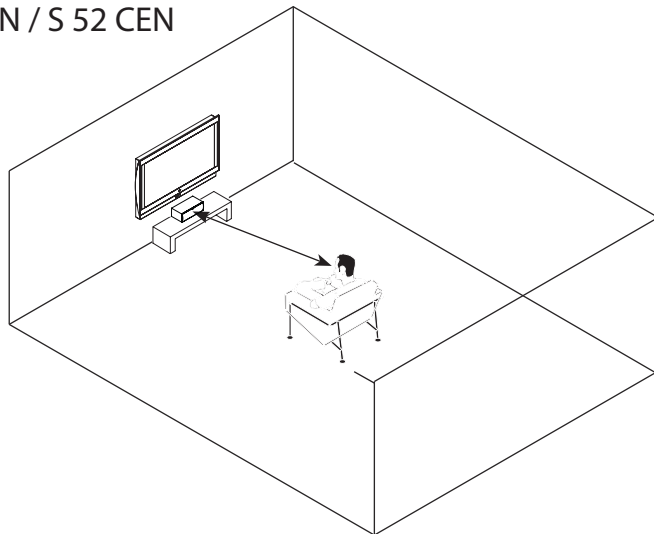
S 622 / S 522



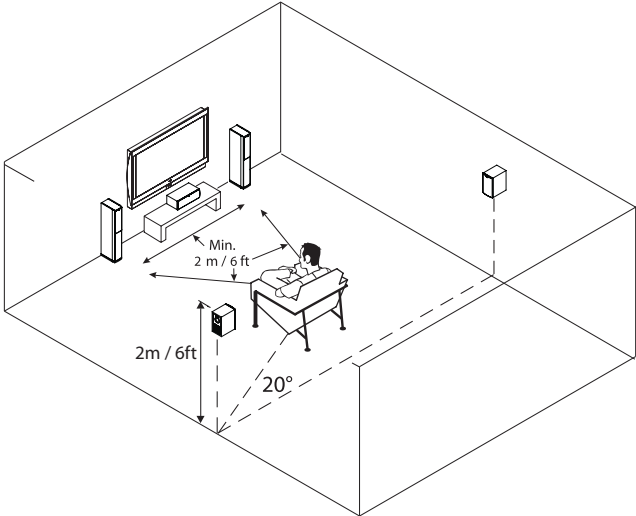
S 622 / S 522



S 62 CEN / S 52 CEN

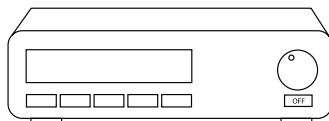
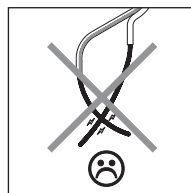
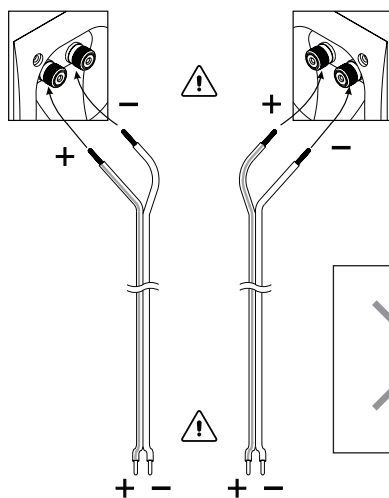
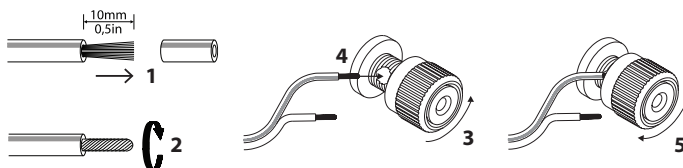
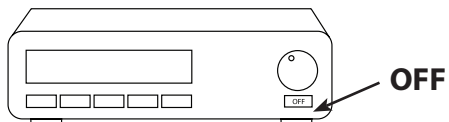


S 628 HCS / S 626 HCS / S 526 HCS



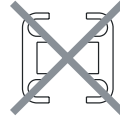
| | FRONT | CEN | SUR |
|----------|-------|-----|-----|
| S 628 | • | | |
| S 626 | • | | |
| S 622 | • | | • |
| S 62 CEN | | • | |
| S 526 | • | | |
| S 522 | • | | • |
| S 52 CEN | | • | |

2 Setup

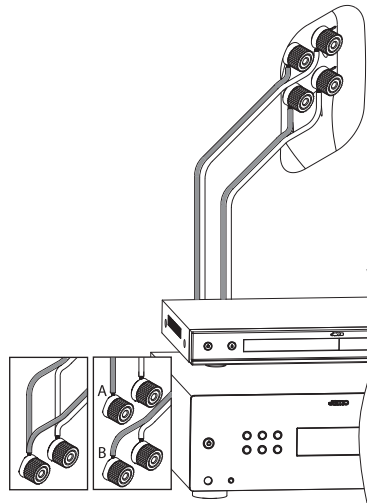
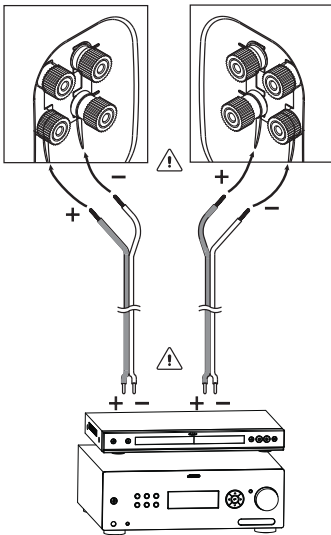




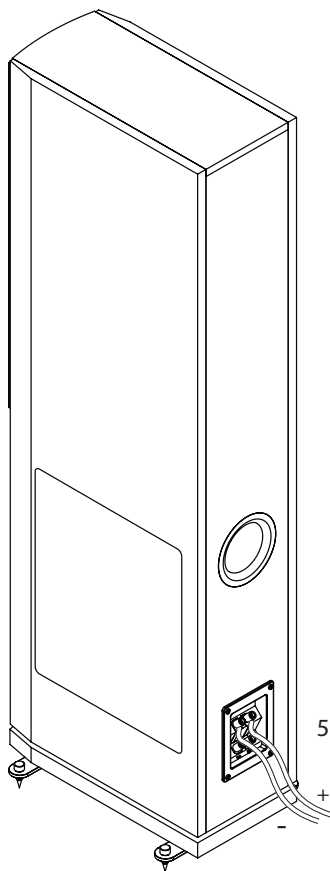
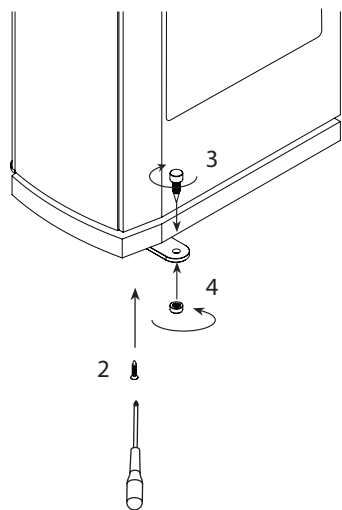
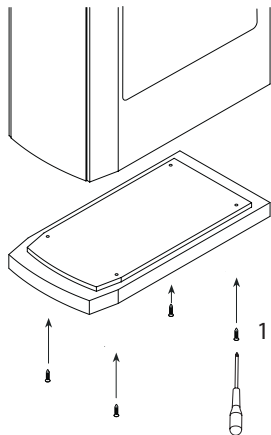
Setup A - single wiring
S 628 / S 626 / S 526



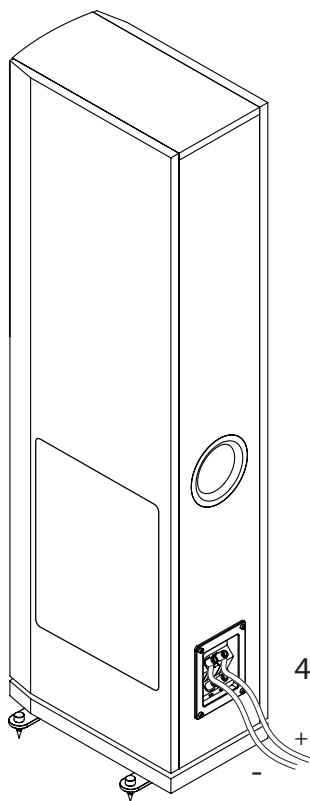
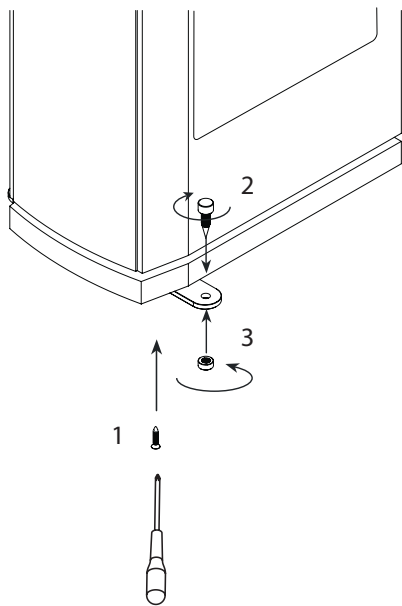
Setup B - bi-wiring
S 628 / S 626 / S 526



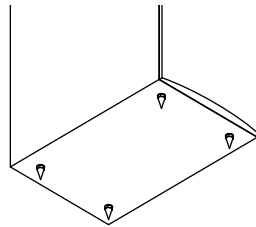
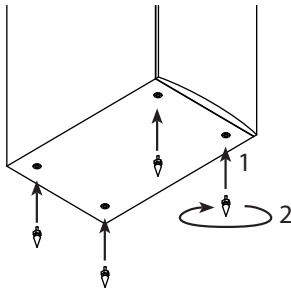
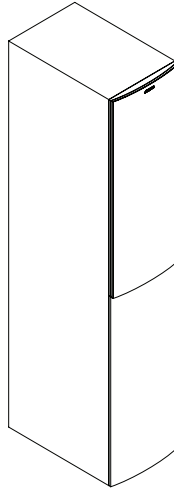
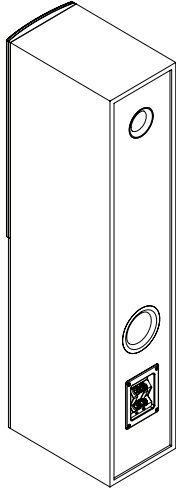
S 628



S 626

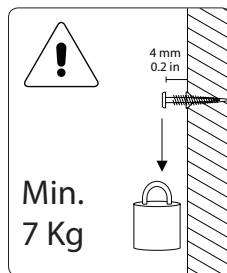
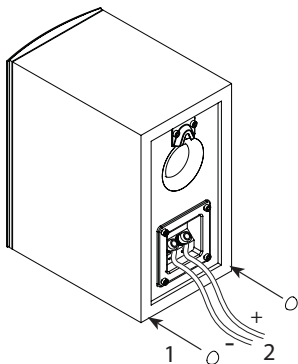


S 526

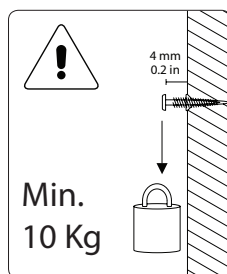
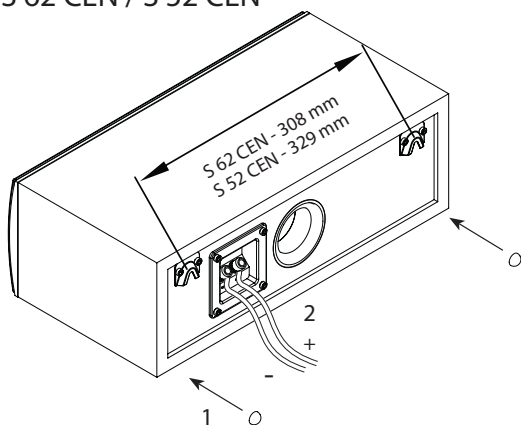


If spike's not wanted, then use included felt pad in accessories pack for protection of floor.

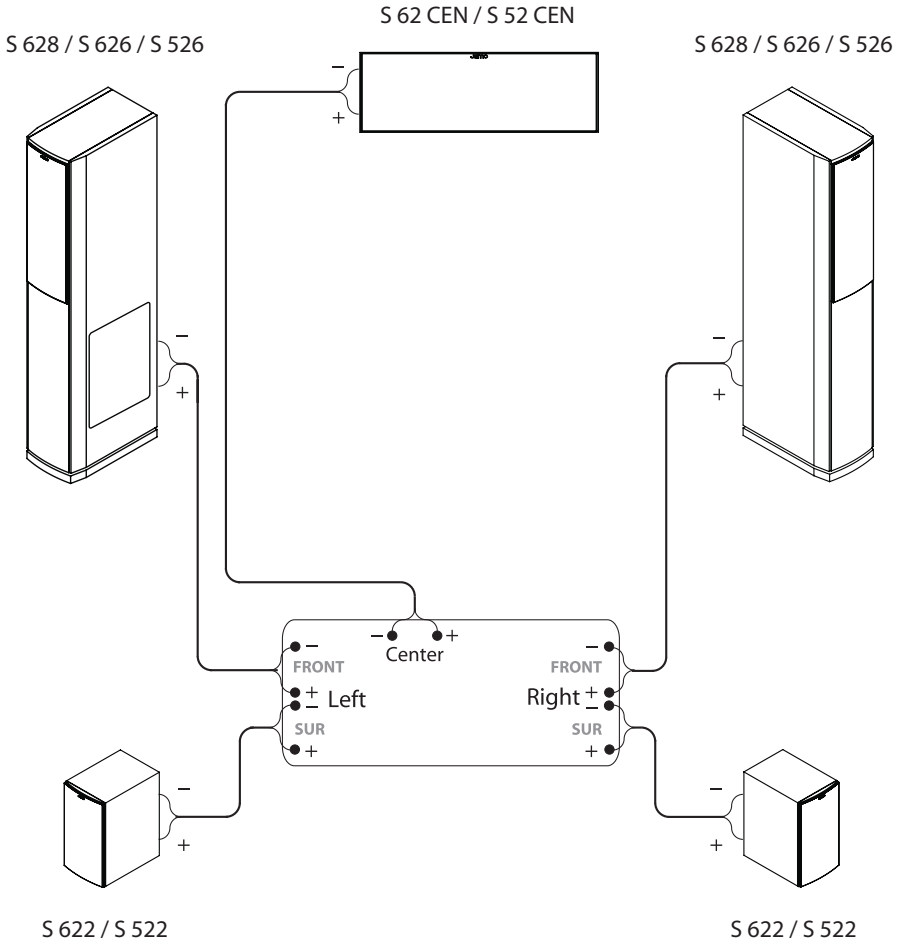
S 622 / S 522



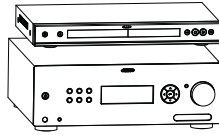
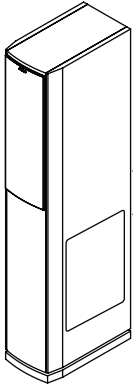
S 62 CEN / S 52 CEN



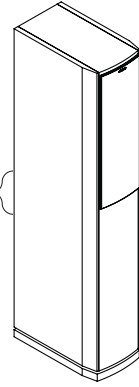
4 System Connection



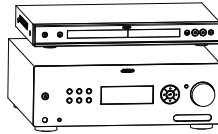
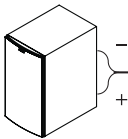
S 628 / S 626 / S 526



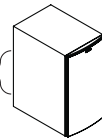
S 628 / S 626 / S 526



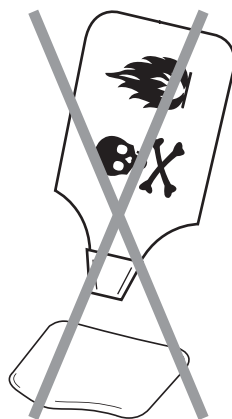
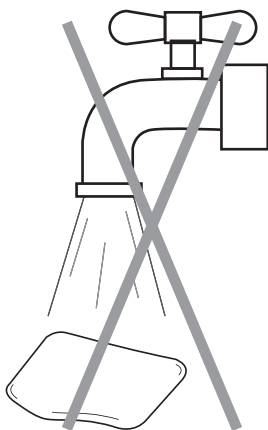
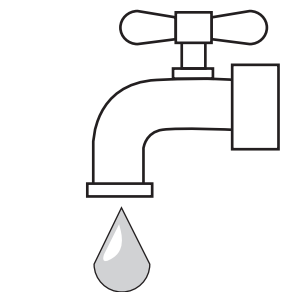
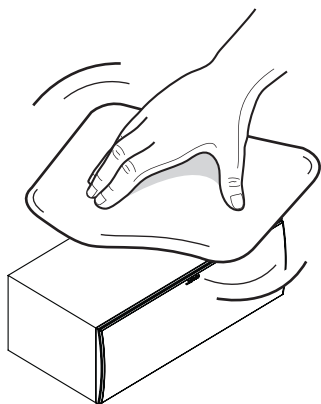
S 622 / S 522



S 622 / S 522



5 Care



Jamo[®]

Jamo Corporate Office: 3502 Woodview Trace, Indianapolis, IN USA 46268-1104

A wholly-owned subsidiary of VOXX International Corporation

jamo.com 1-800-554-7724

©2013 Klipsch Group, Inc. All Rights Reserved.

Jamo is a registered trademark of Klipsch Group, Inc.

Engineered by Klipsch Group, Inc., USA. Product of China