

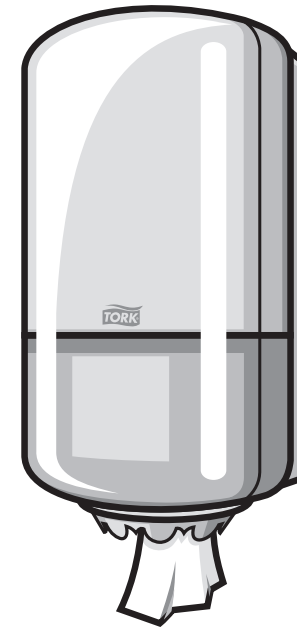
European Community Design Registration RCD 000929971

2012-12-05

Mini Centrefeed Dispenser

M1

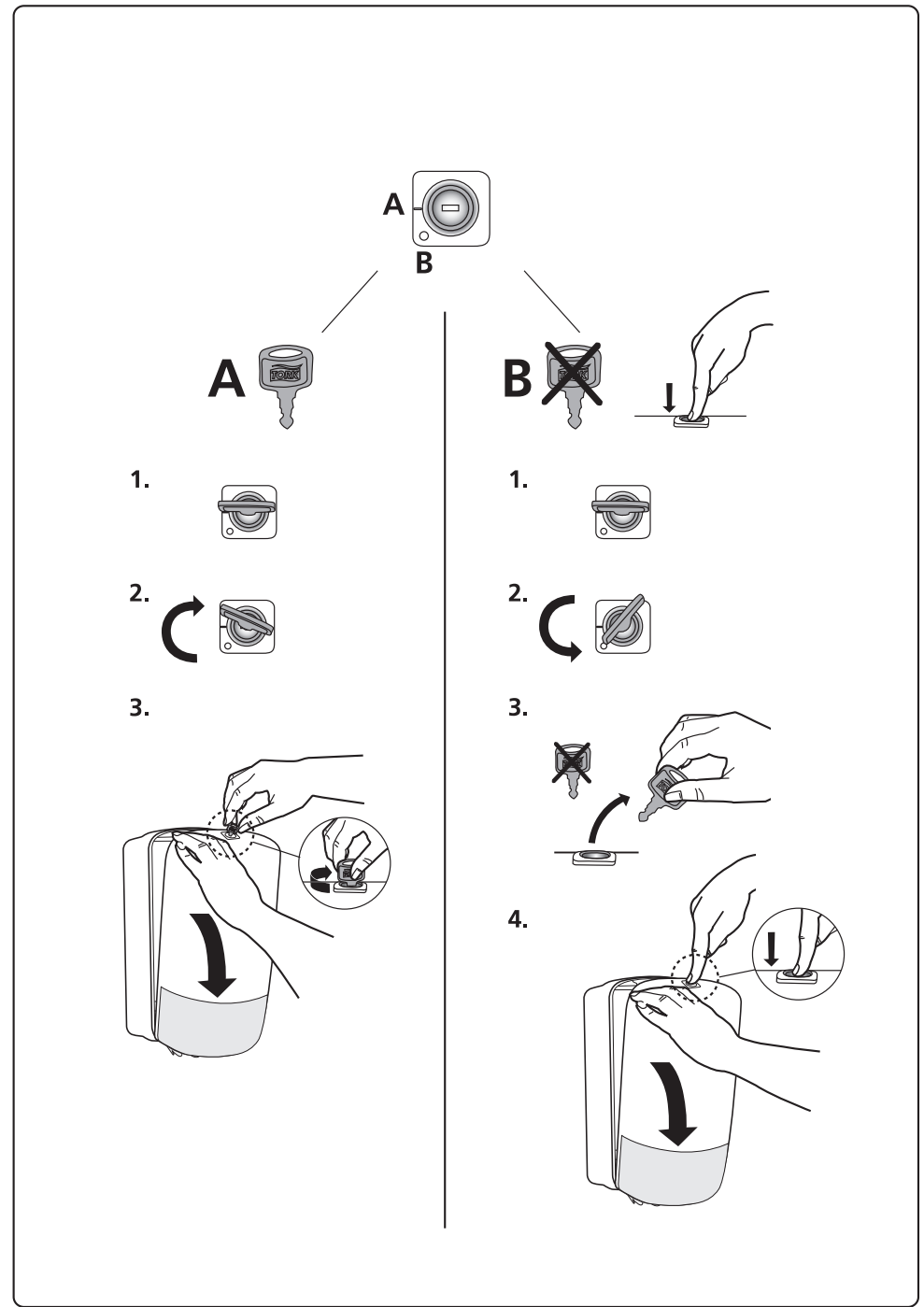
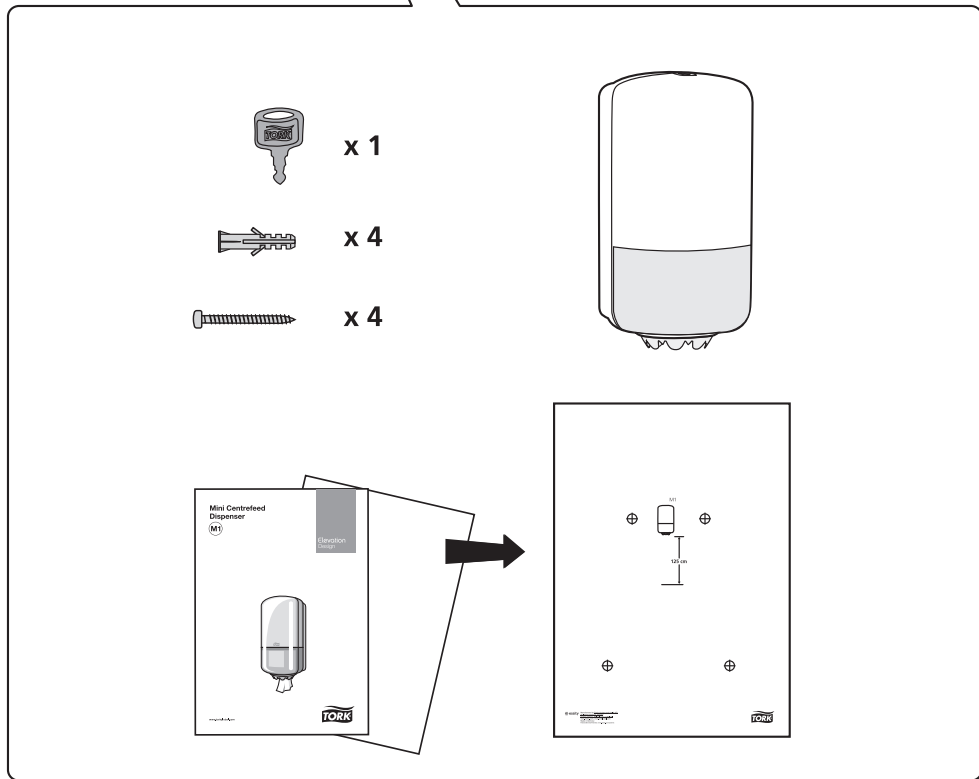
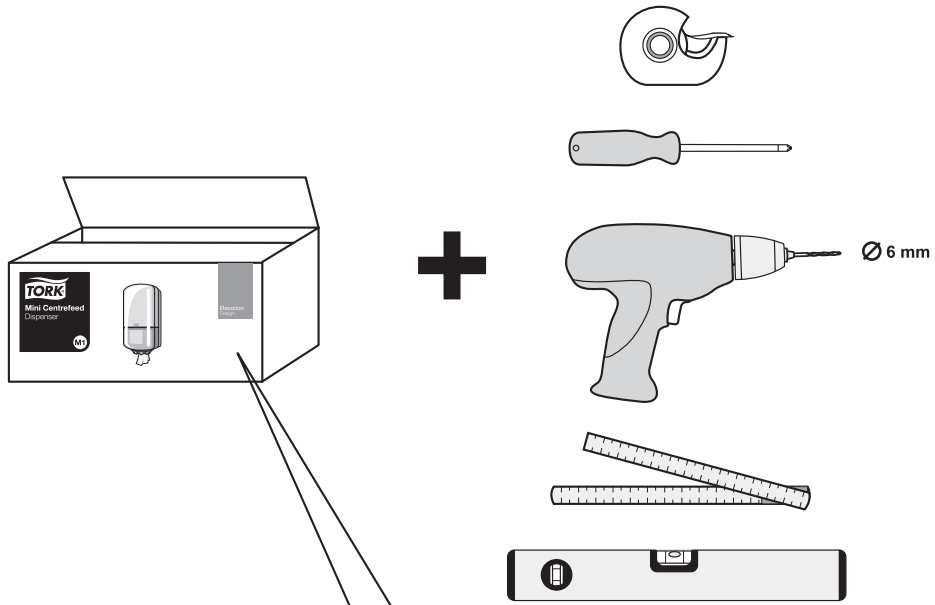
Elevation
Design



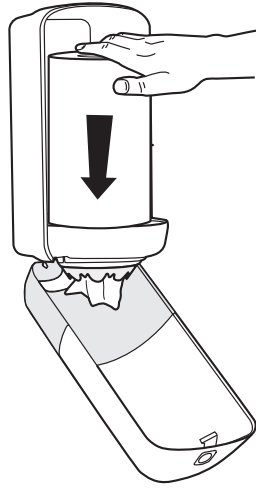
Manufactured by Essity Hygiene and Health AB
SE-40503 Göteborg, Sweden
Visiting address: Mölndals Bro 2, Mölndal
www.essity.com, www.torkglobal.com
Made in Germany
Patents/Brevets/Patentes: www.essity.com/patents

www.torkglobal.com





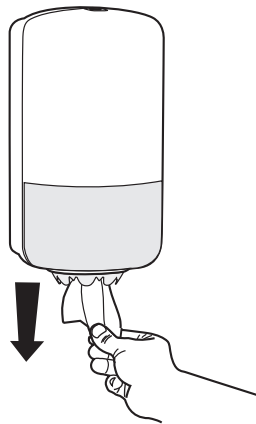
3.



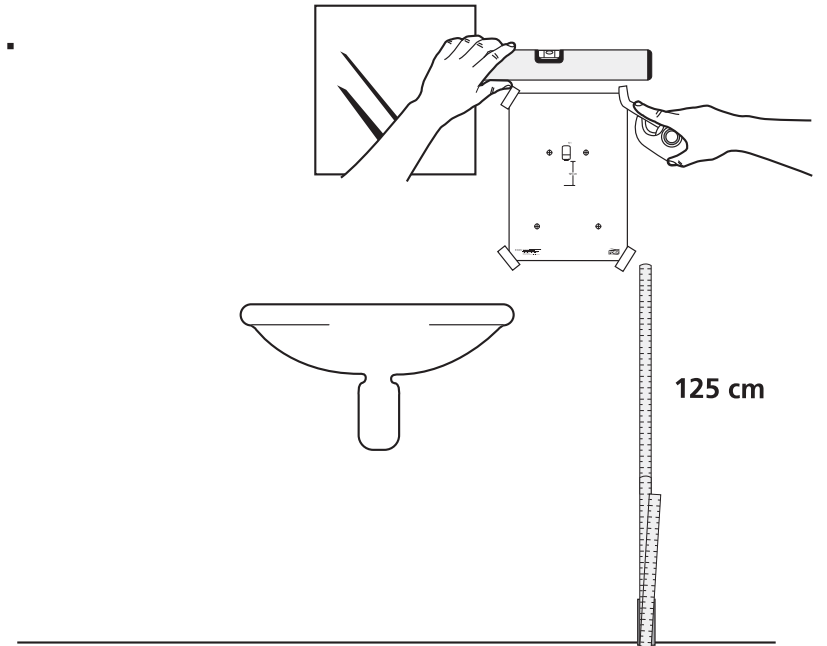
4.



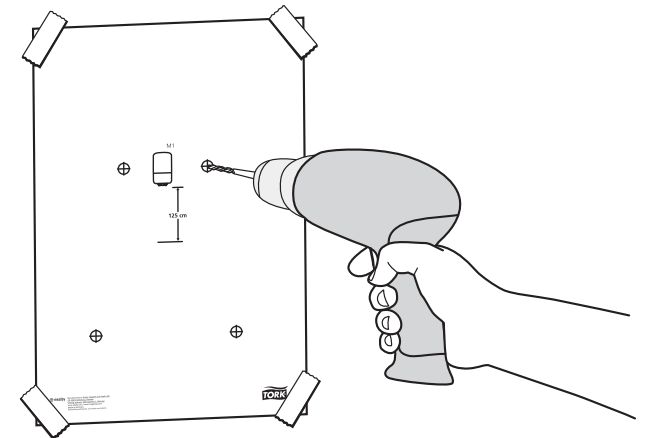
5.



1.



2.



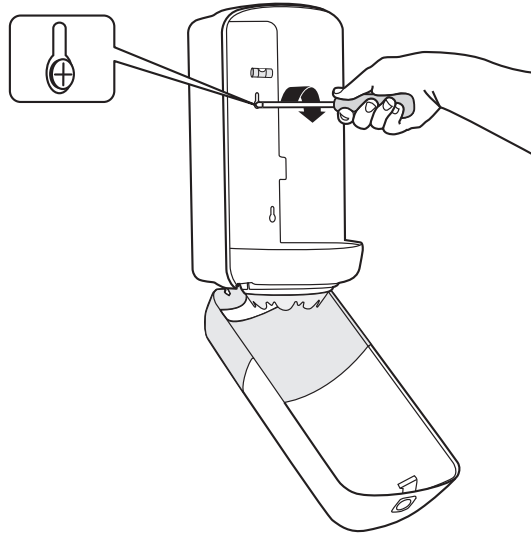
3.



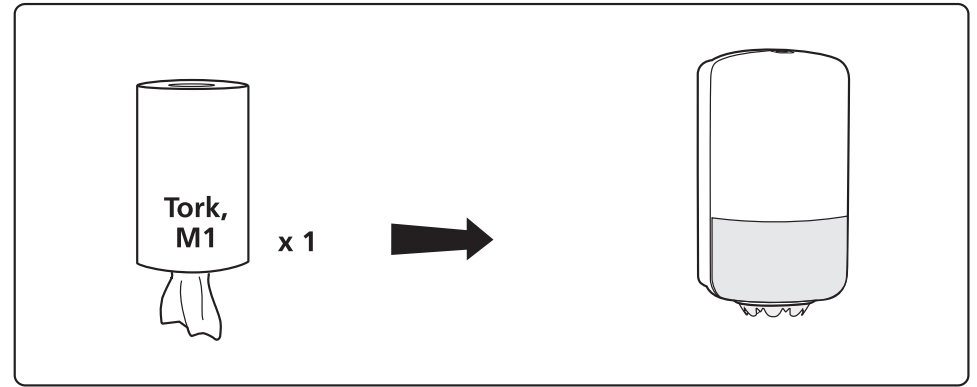
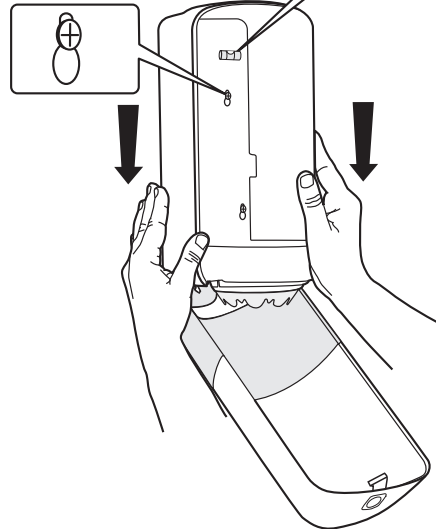
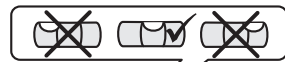
x 4



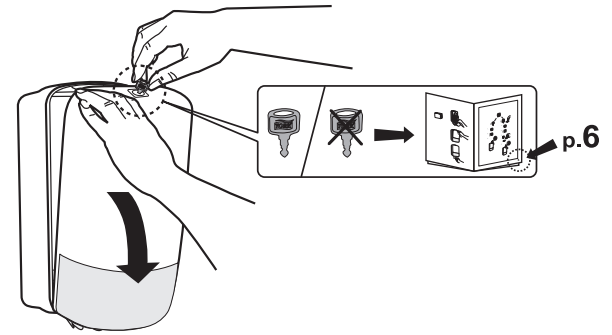
x 4



4.



1.



2.

