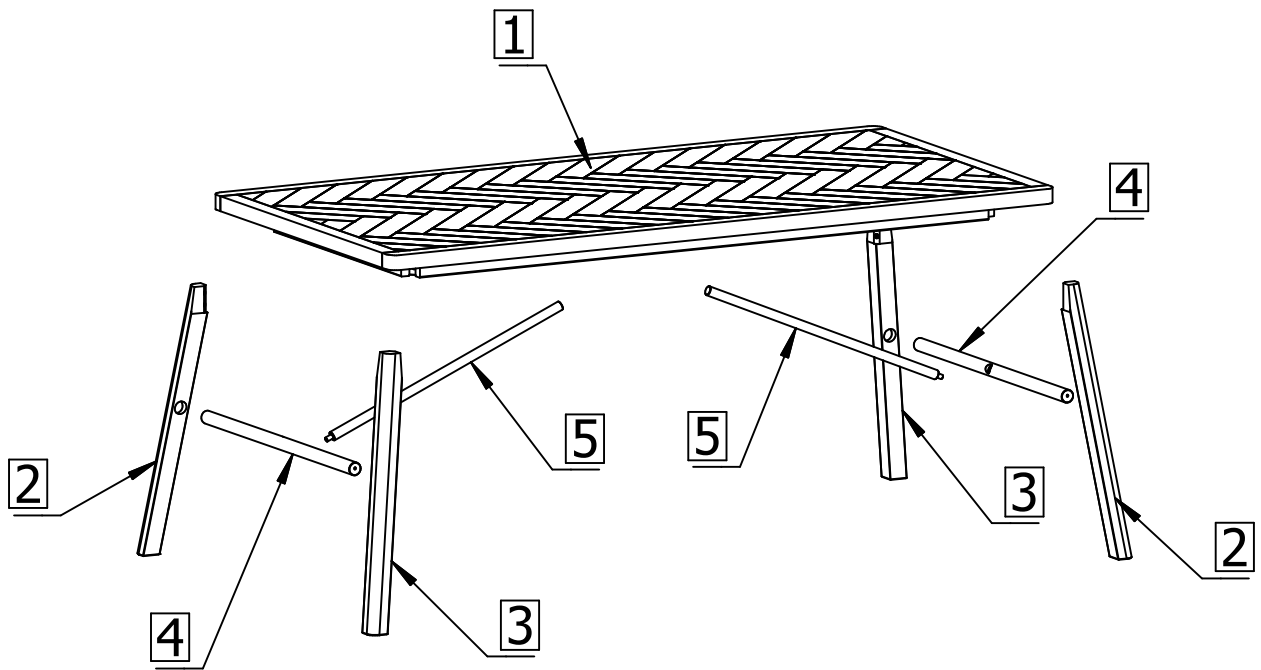
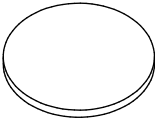
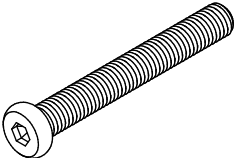
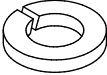
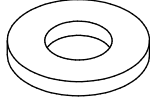
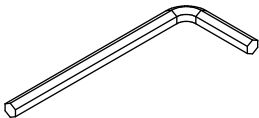
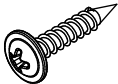
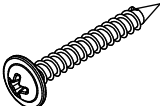
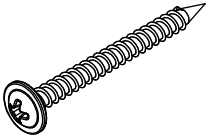
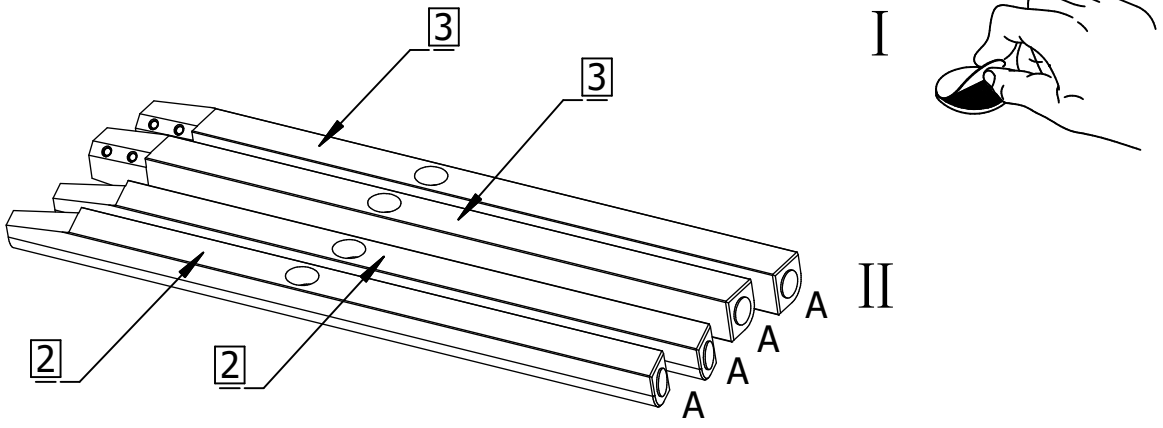
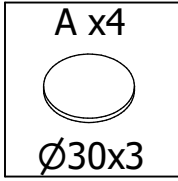


			✓
<u>1</u>	1	2000x1000x90	
<u>2</u>	2	732x50x50	
<u>3</u>	2	732x50x50	
<u>4</u>	2	∅35x825	
<u>5</u>	2	∅25x764	

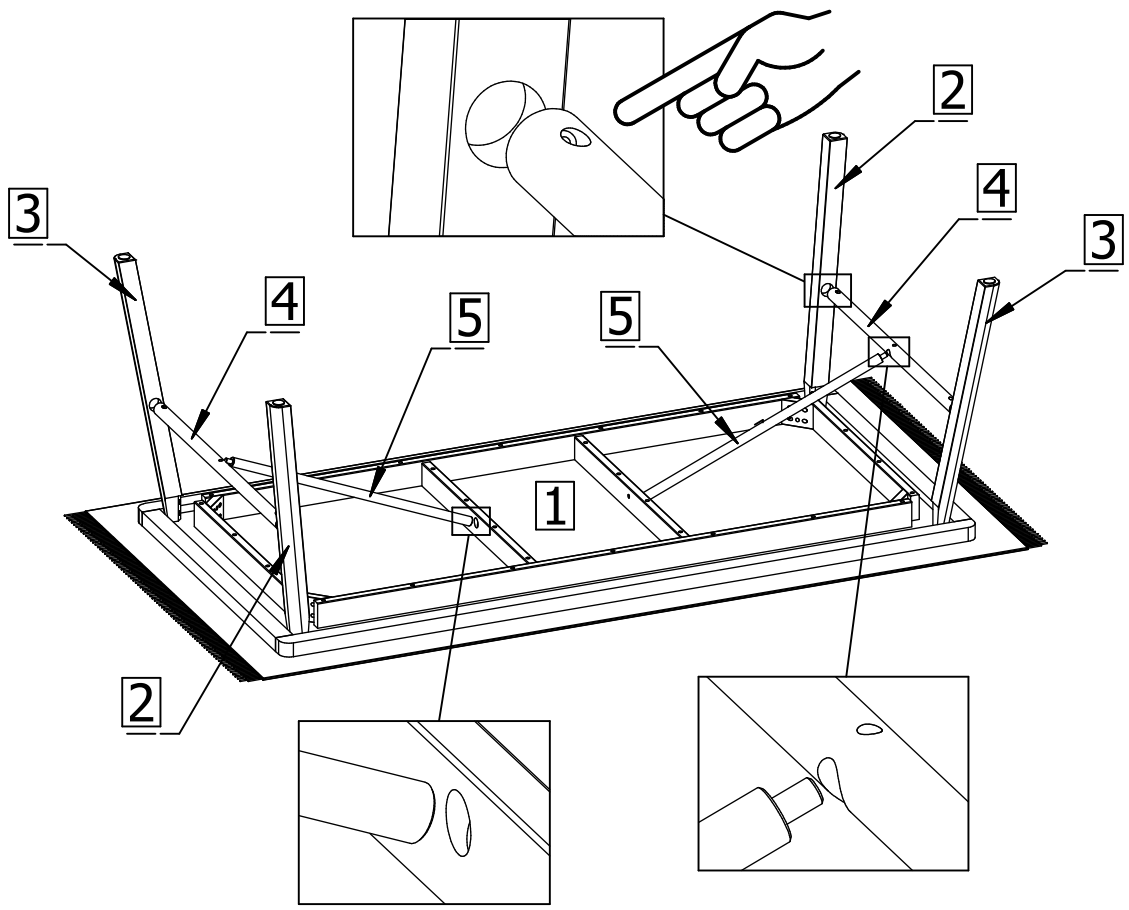


<p>A x4</p>  <p>Ø30x3</p>	<p>B x8</p>  <p>M8x60</p>	<p>C x8</p>  <p>Ø8</p>	<p>D x8</p>  <p>Ø8/Ø16</p>
<p>E x1</p>  <p>N5</p>	<p>F x2</p>  <p>Ø3.5x20</p>	<p>G x2</p>  <p>Ø3.5x30</p>	<p>H x4</p>  <p>Ø3.5x40</p>





1

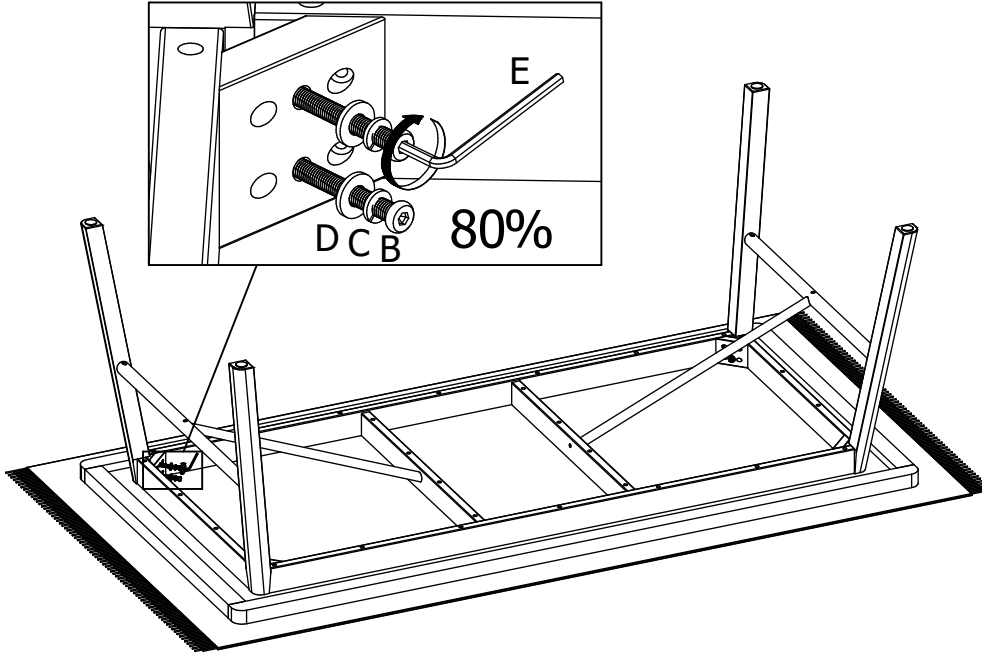


2





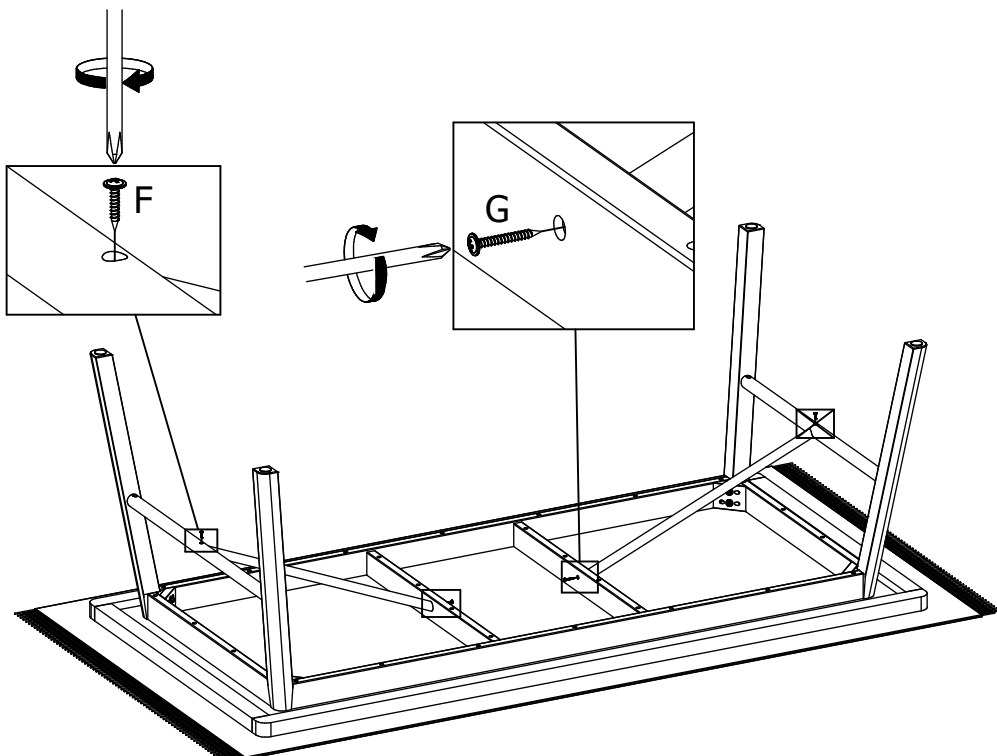
3

B x8  M 8x60	C x8  Ø8	D x8  Ø8/Ø16	E x1  N5
---	---	---	---

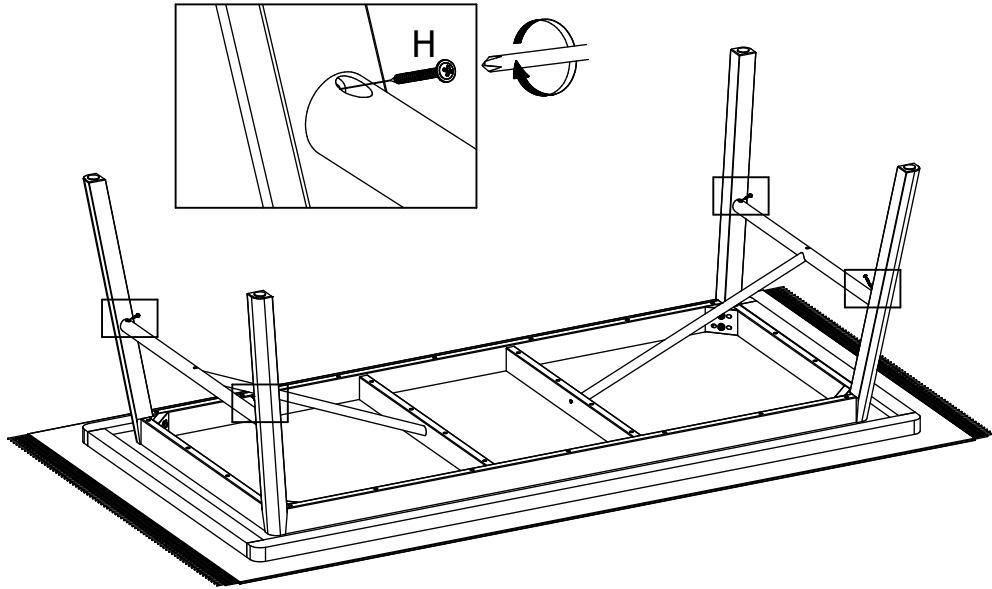
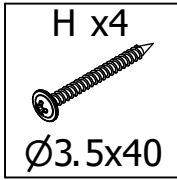


4

F x2  Ø3.5x20	G x2  Ø3.5x30
--	--



5



6

