

Art.-Nr.: 6740-15

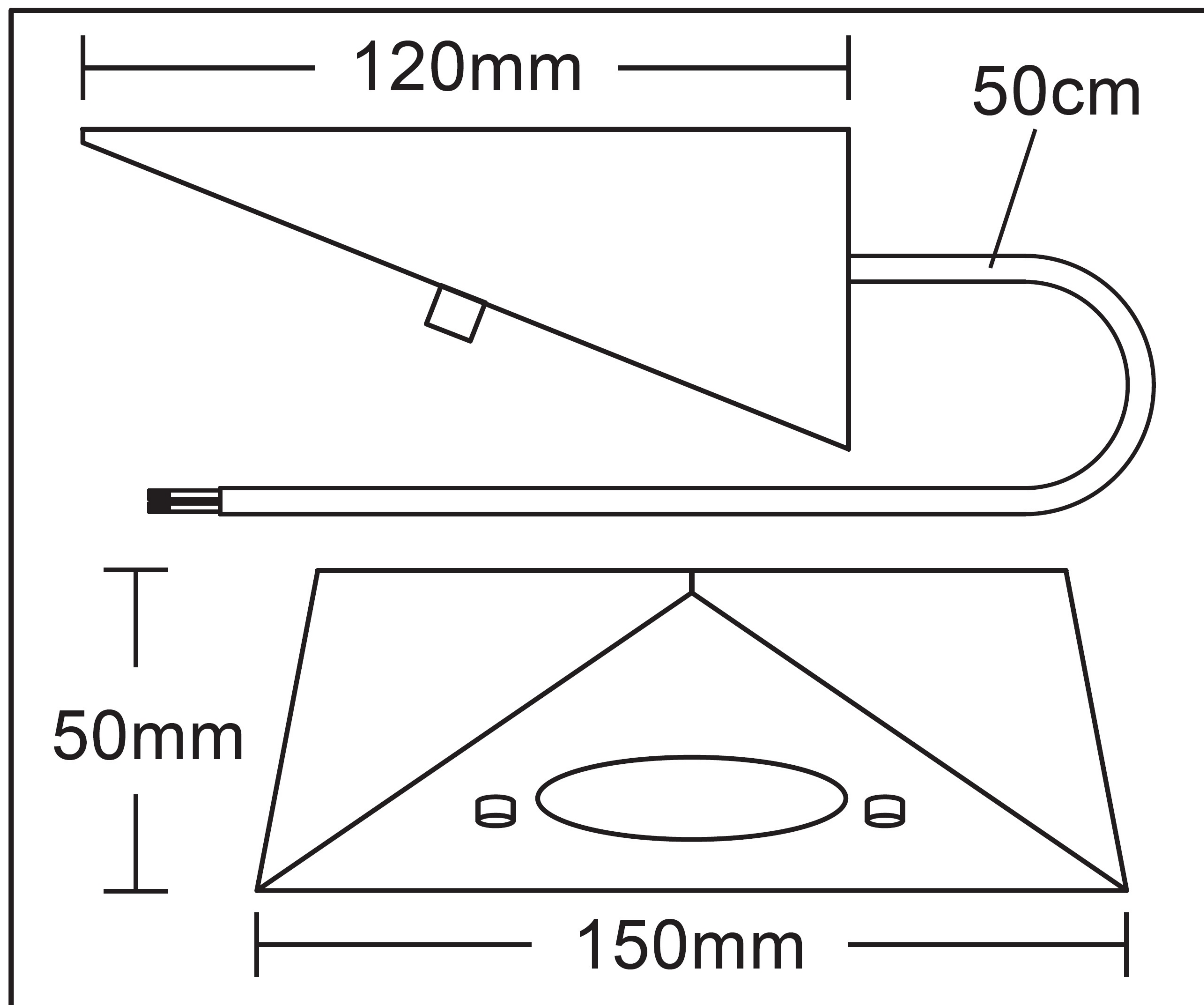
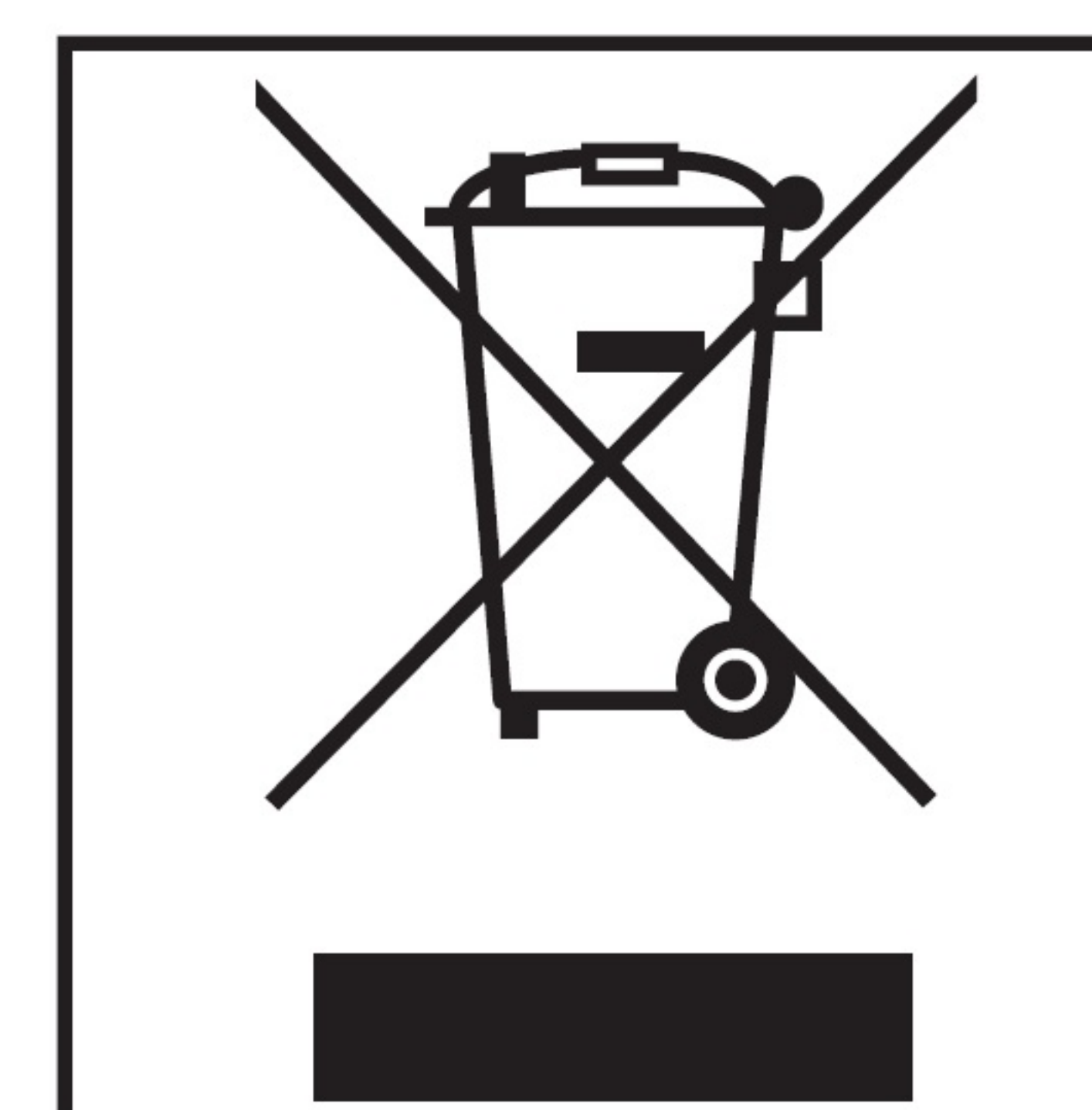
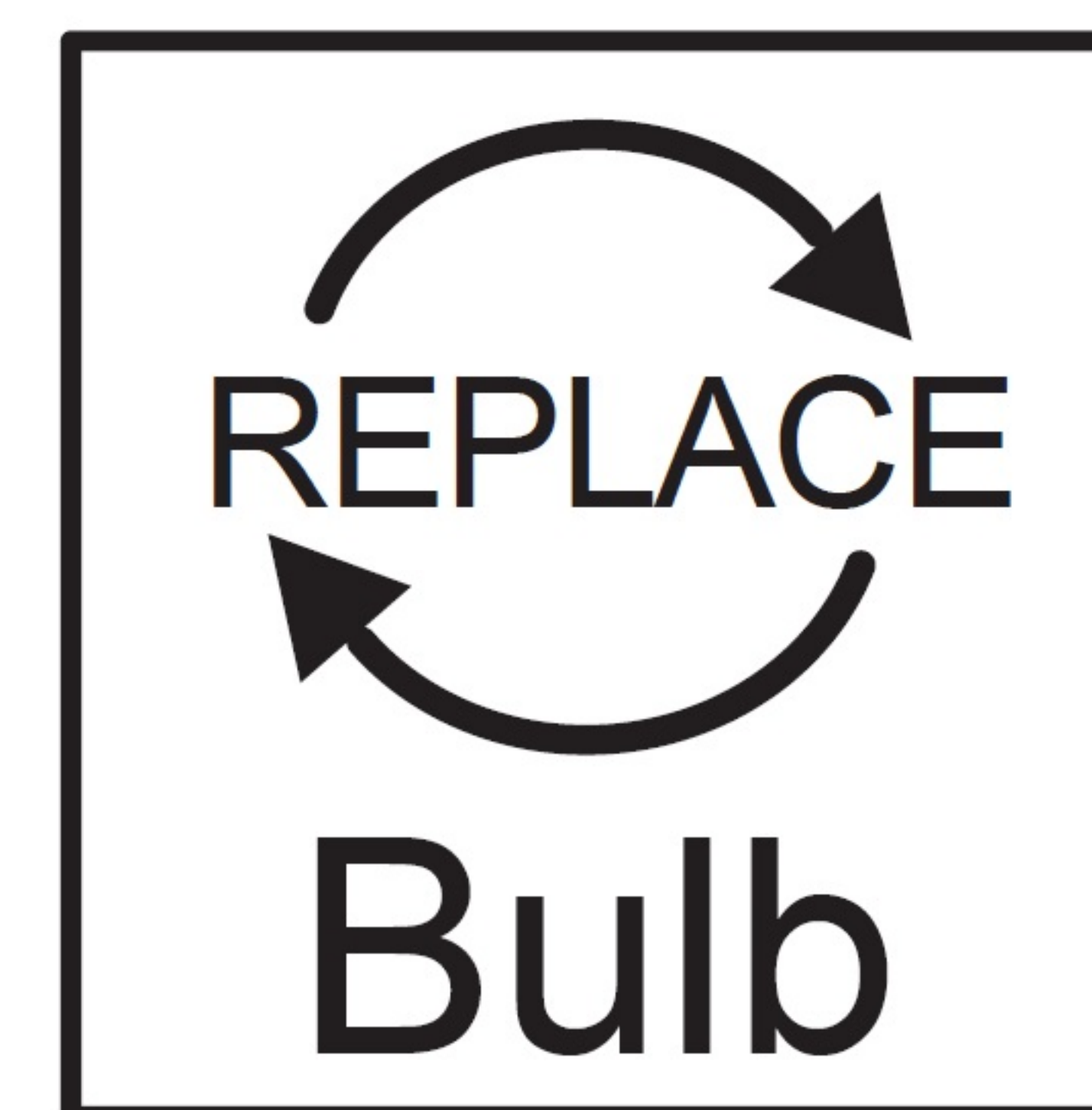
Downlight for kitchen

Black effect

Input 230V~50Hz

MAX. 6.0W

incl LED-modul (4.8W/3000k)



Trango GmbH
Jakobsberg 1
D-59929 Brilon
www.trango.de

