



# KLARSTEIN

CHAL-TEC GmbH

Wallstraße 16,  
10179 Berlin, Germany  
WEEE-Nr.: DE 46906833

Importer for Great Britain:  
Berlin Brands Group UK Limited  
PO Box 42  
272 Kensington High Street  
London, W8 6ND  
United Kingdom

Item-Nr.: 10045908

Description: Wine Cooler

## Specifications:

Voltage/ Frequency: 220-240V/50Hz

Current: 1A

Power: 90W

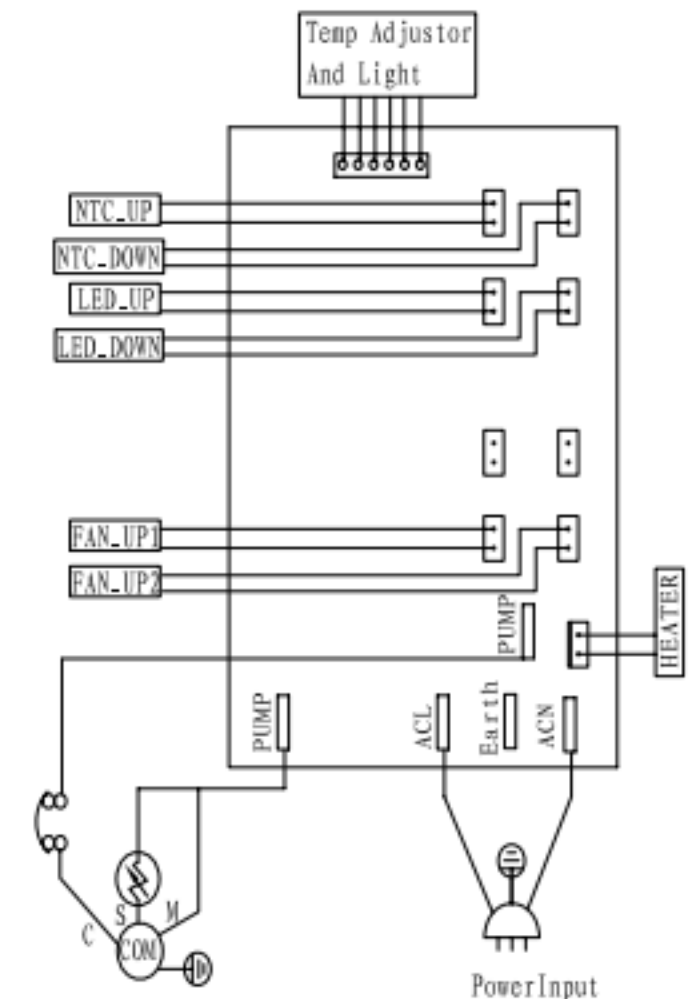
Climate Class: N,SN,ST

Storage Volume: 118L

Refrigerant (Weight): R600a/24g

Foaming Gas: Cyclopentane

Serial number: 1004590816023120001



Electrocircuit Line Diagram