

Art.-Nr.: 2250

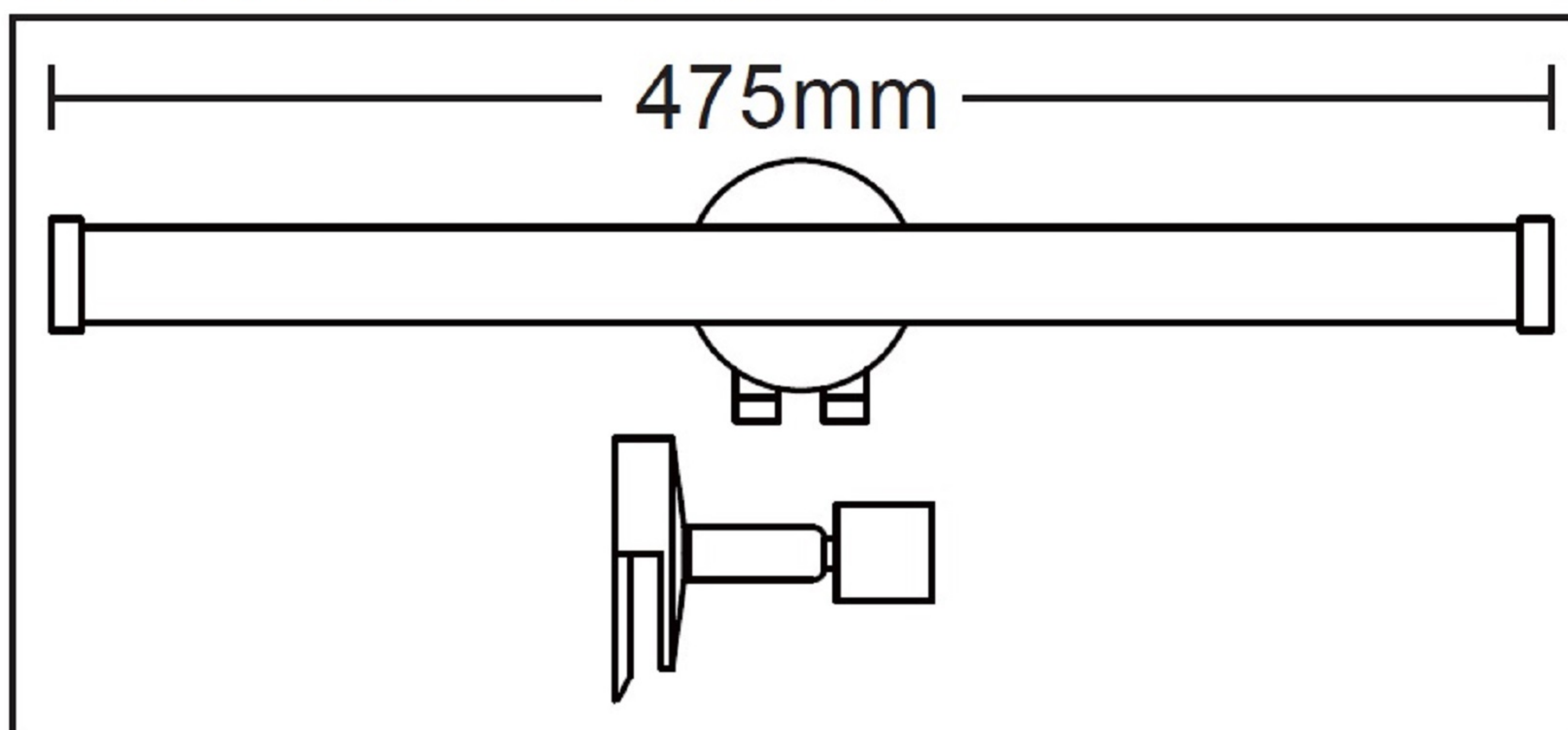
Chrome effect

Input 230-240V~50Hz

LED/3000K/750LM/Ra>80

MAX. 7.0W

Life time :20000 h



Trango GmbH
Jakobsberg 1
D-59929 Brilon
www.trango.de

