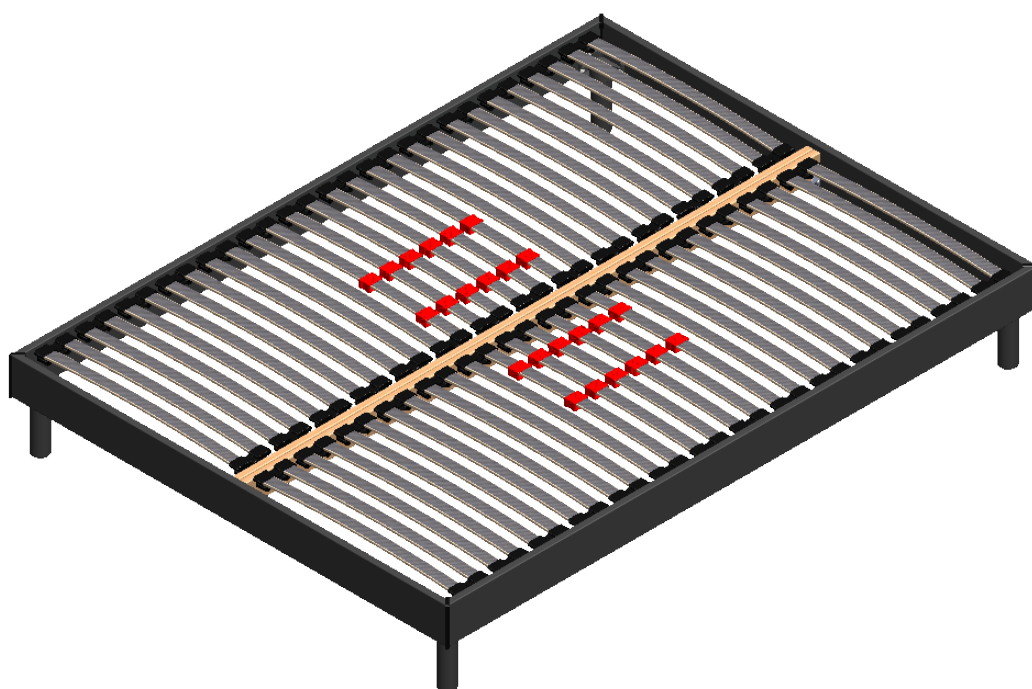


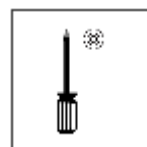
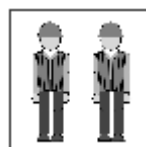
		ANTRACITE	140X190 / 140X200



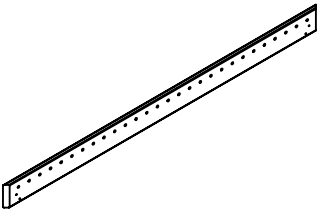
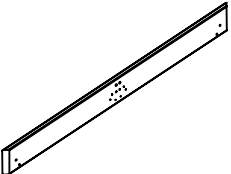
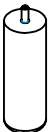
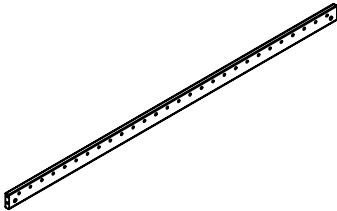
*HANDLEIDING.
NOTICE DE MONTAGE.
ASSEMBLING INSTRUCTIONS.
MONTAGEANLEITUNG.
ISTRUZIONI DI MONTAGGIO.
INSTRUCÕES DE MONTAGEM.
MANUAL DE MONTAJE.
INSTRUCJA MONTA ZU.*





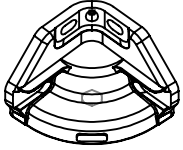
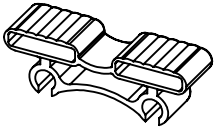




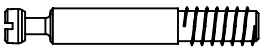

*ALVORENS DE MONTAGE TE STARTEN, GELIEVE DE HANDLEIDING TE VOLGEN.
AVANT DE COMMENCER, SE REPORTER AUX CONSEILS DE MONTAGE En ANNEXE.
BEFORE STARTING, REFER TO THE ASSEMBLING ADVICE ANNEX.
PRIMA DI COMMINCIARE, LEGGERE I CONSIGLI DI MONTAGGIO.
VOR DIE MONTAGE, BITTE BEILIEGENDE ANWEISUNGEN FOLGEN.
ANTES DE LA INSTALACIÓN, POR FAVOR SIGA LAS INSTRUCCIONES ADJUNTO.
ANTES DE EMPEZAR CONSULTE LOS CONSEJOS PARA EL MONTAJE.
PREZED ROZPOCZECIEM ZAPOZNAC SIE Z ZALACZONA INSTRUKCJA MONTAZU.*


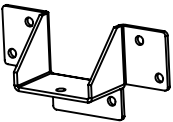
K06

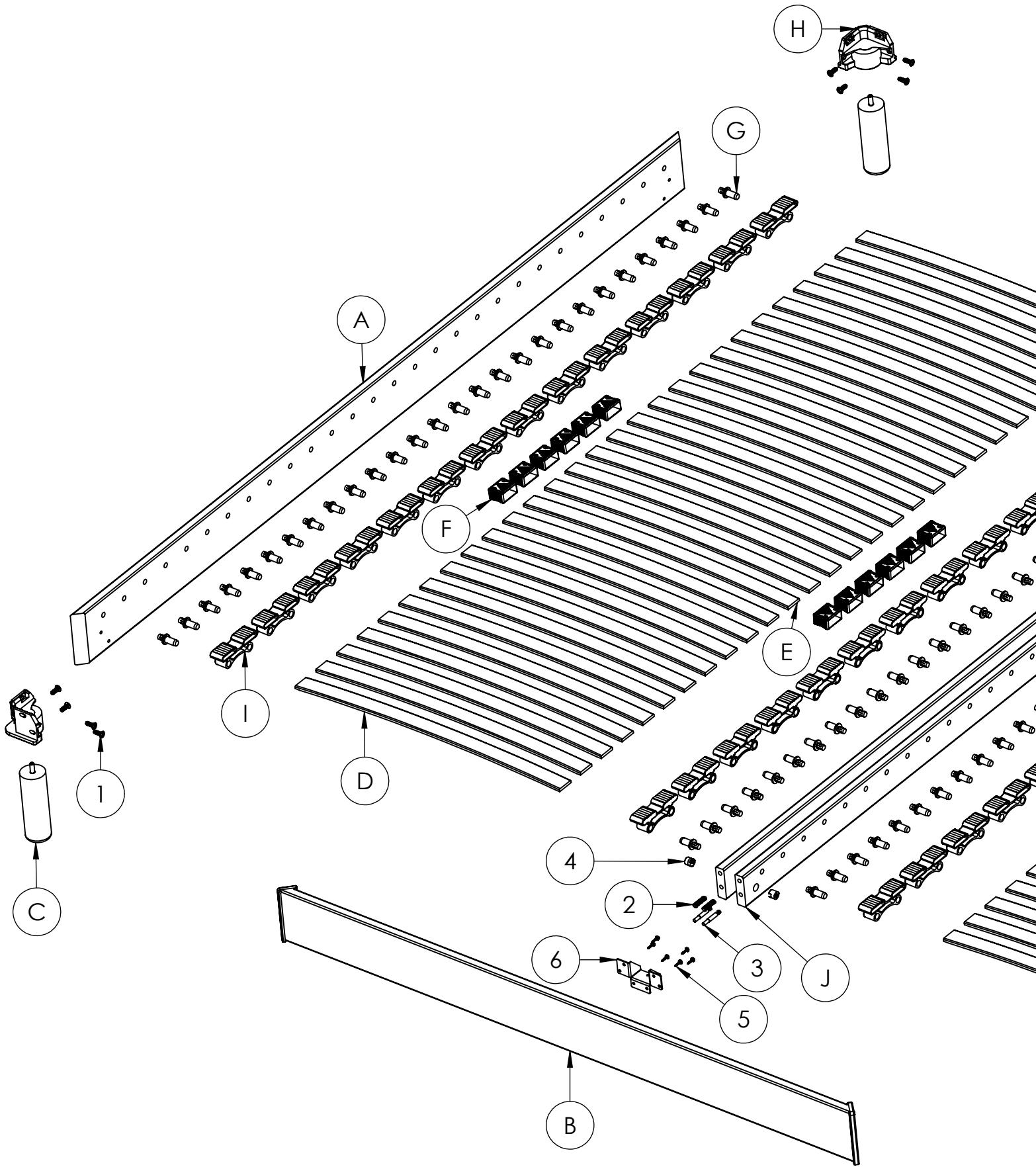


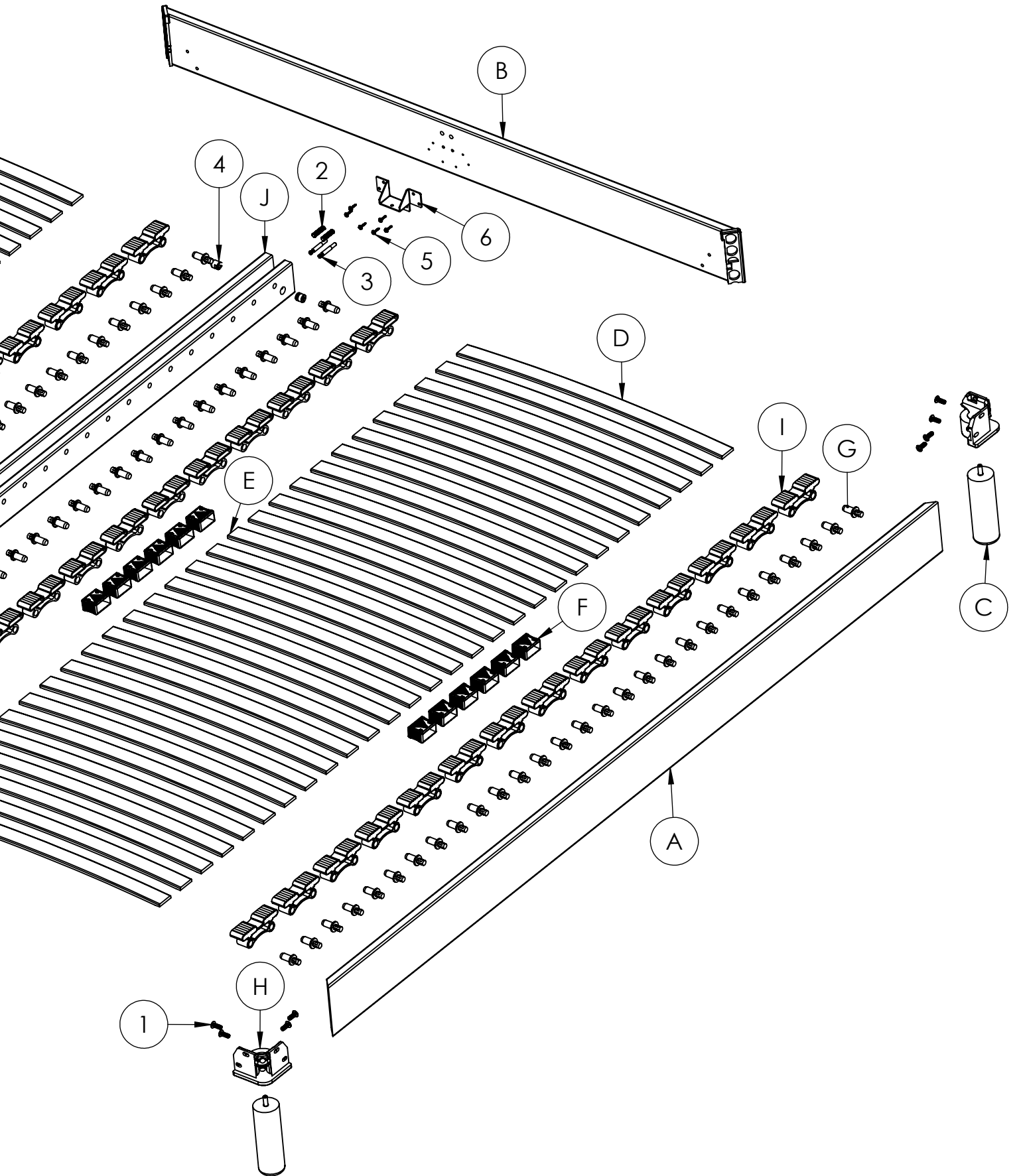
		140X190	140X200
			
		ANTRACITE	ANTRACITE
	REF.	A	A
	ART.	20.301.000.538	20.301.000.540
	PCS.	2X	2x
	REF.	B	B
	ART.	20.310.000.357	20.310.000.357
	PCS.	2X	2x
	REF.	C	C
	ART.	20.102.000.369	20.102.000.369
	PCS.	4X	4x
	REF.	J	J
	ART.	20.301.000.455	20.301.000.450
	PCS.	2x	2x

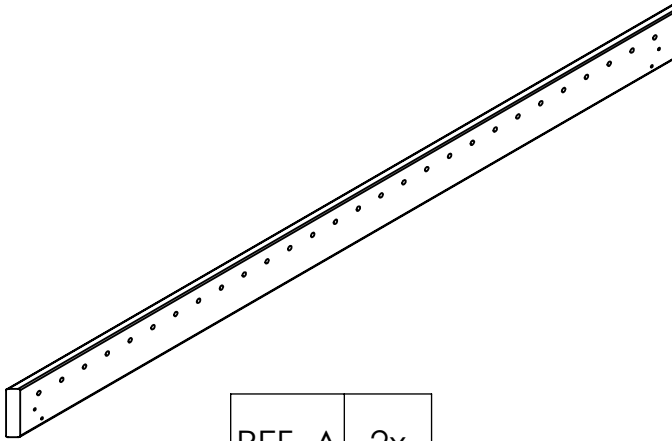
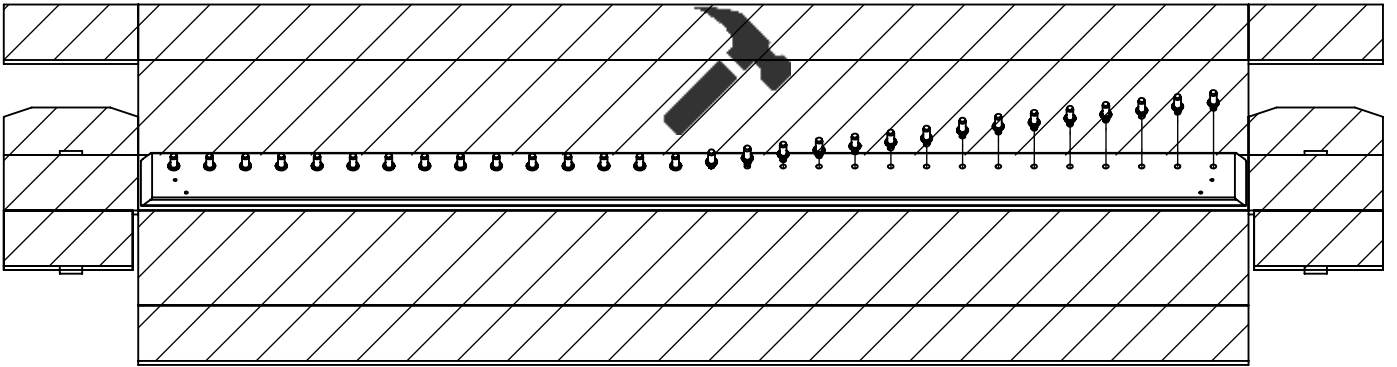
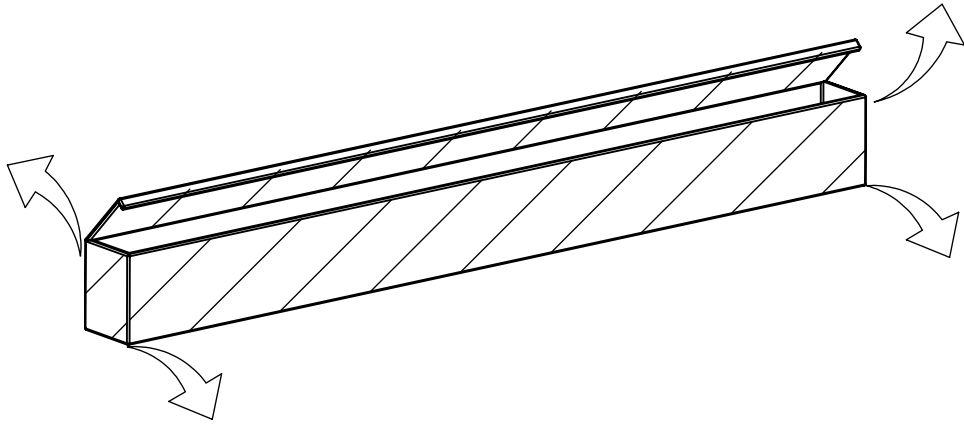
REF.	ILL.	ART.	PCS.
D		20.401.000.466	56x
E		20.401.001.612	12x
F		10.009.000.030	24x
G		10.002.000.003	120x
H		10.011.000.242	4x
I		10.001.000.394	60x

REF.	ILL.	ART.	PCS.
1		20.102.000.384	16x
2			4x
3			4x
4			4x

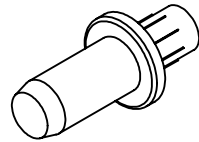
REF.	ILL.	ART.	PCS.
5		20.102.000.386	12x
6			2x



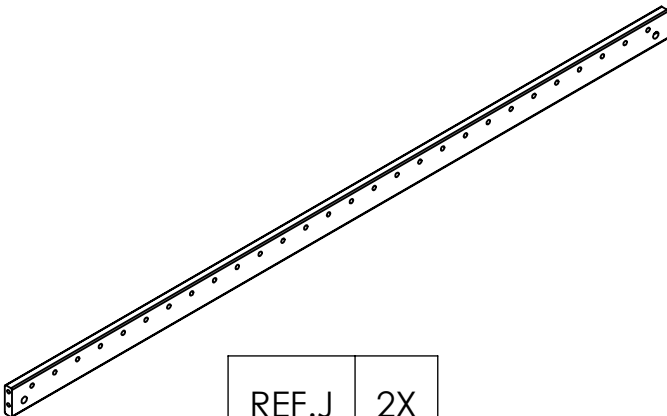




REF. A	2x
--------	----

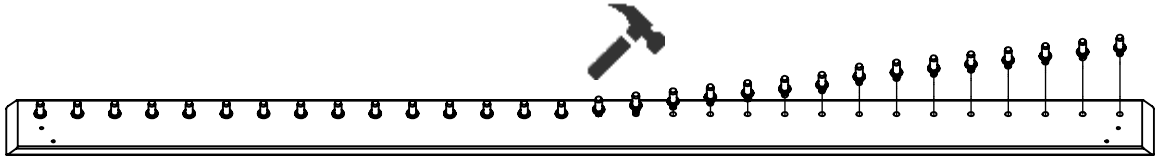


REF. G	112x
--------	------

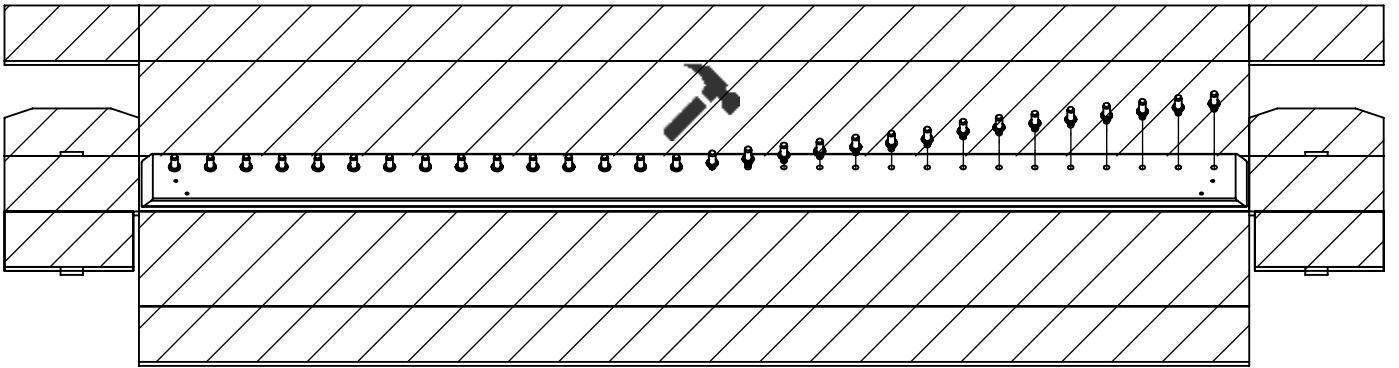


REF. J	2X
--------	----

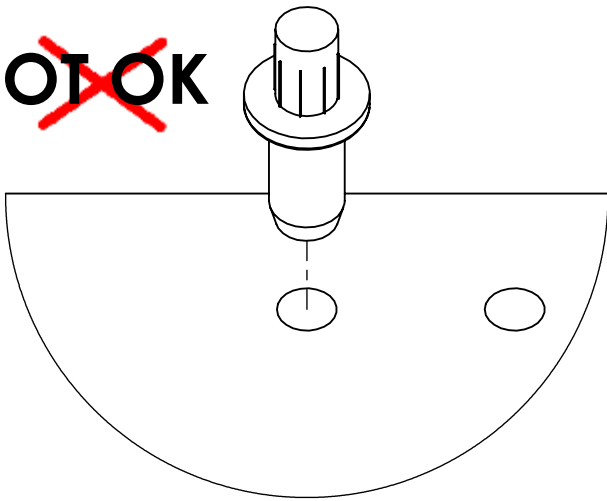
~~NOT OK~~



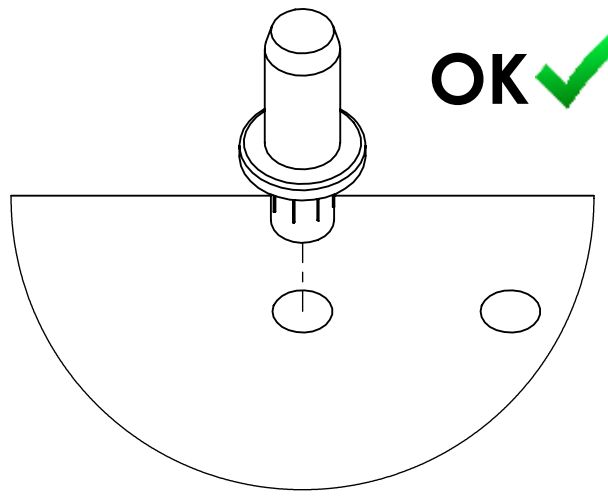
OK ✓



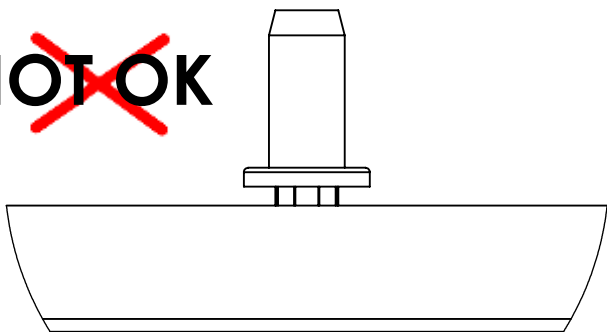
~~NOT OK~~



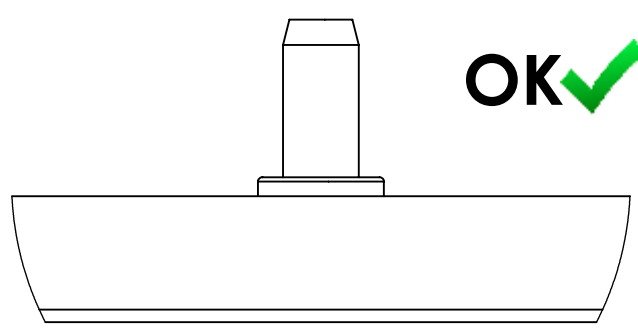
OK ✓



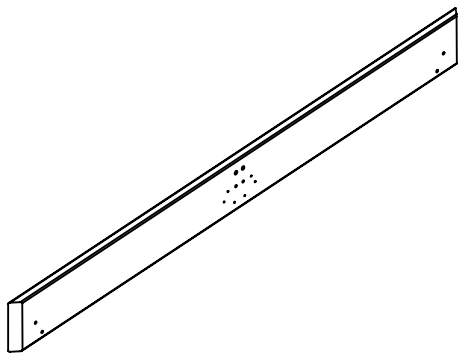
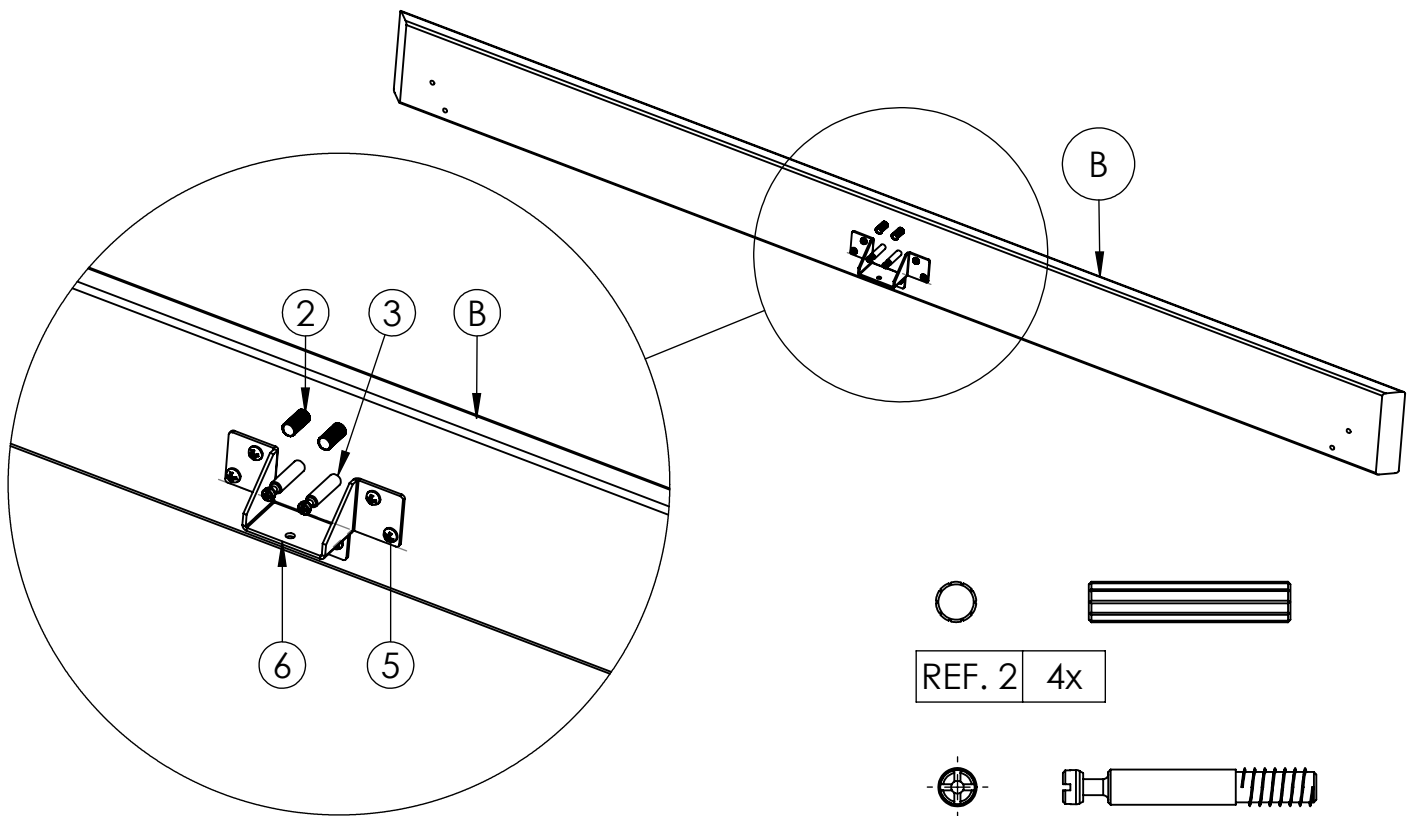
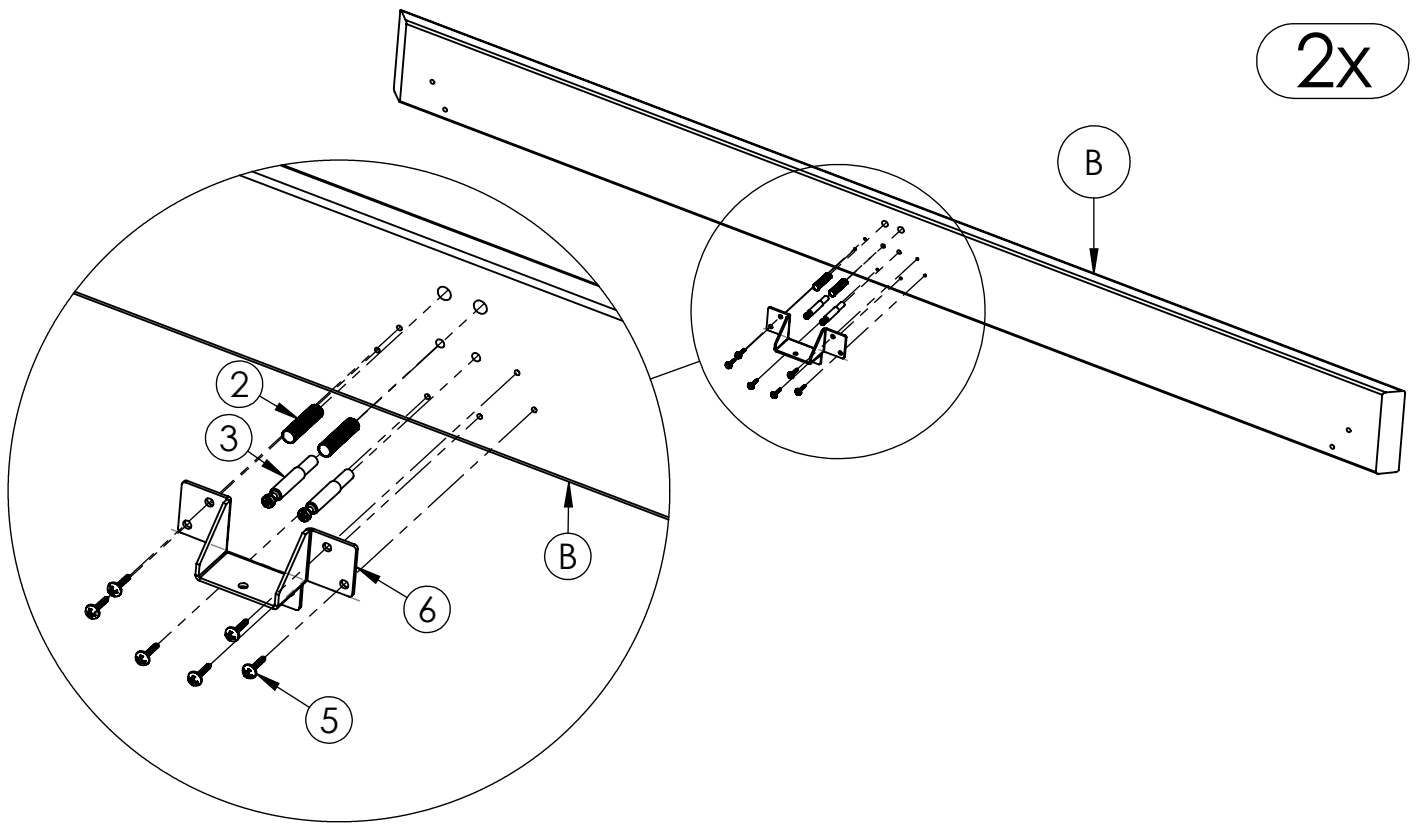
~~NOT OK~~



OK ✓



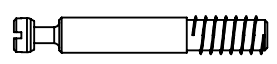
2x



REF. B 2x



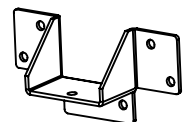
REF. 2 4x



REF. 3 4x

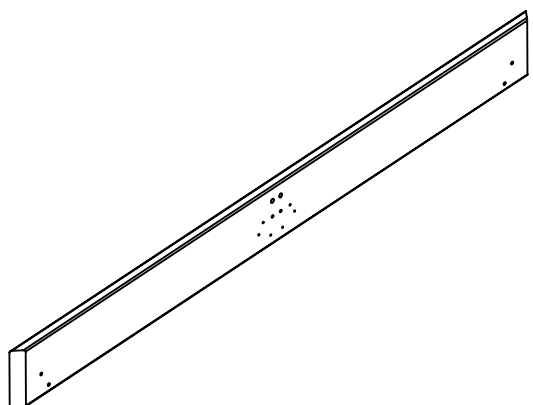
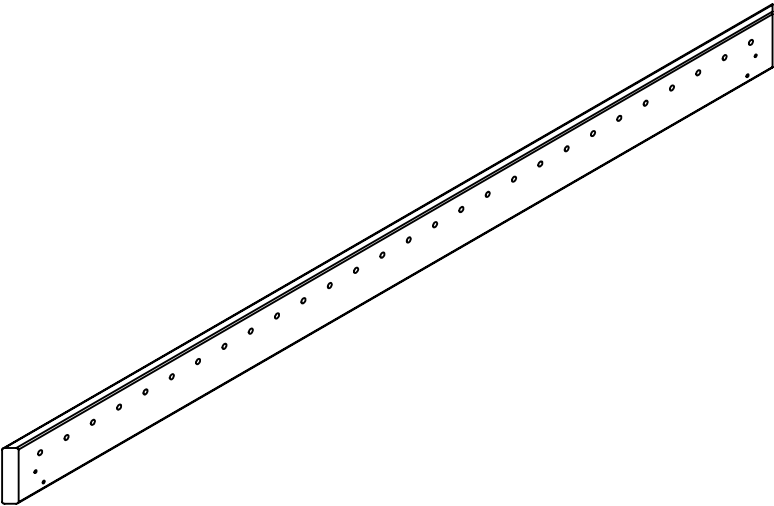
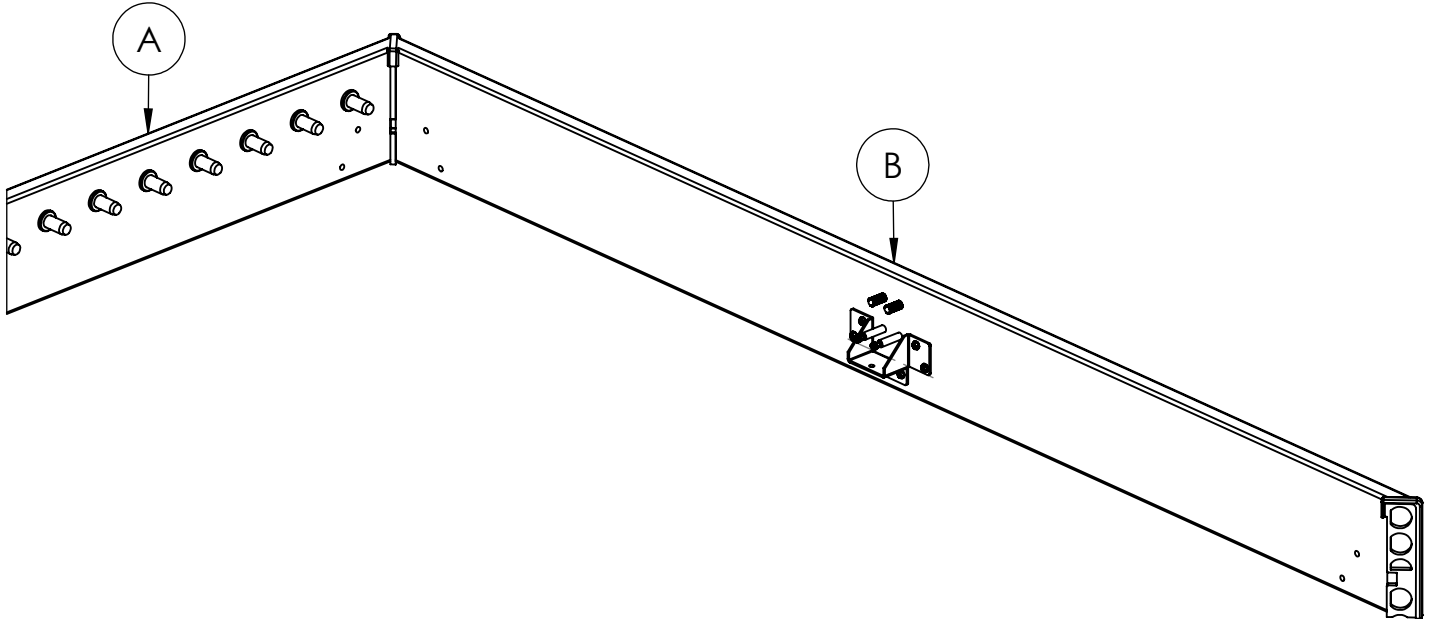
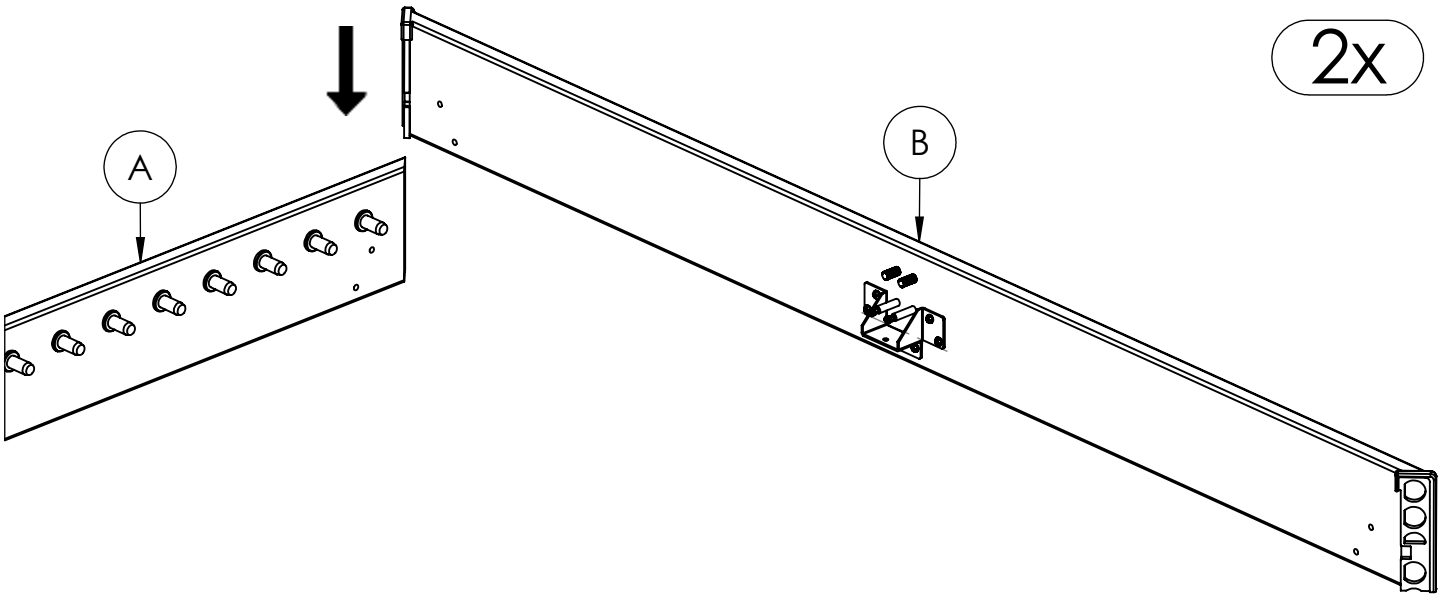


REF. 5 12x



REF. 6 2x

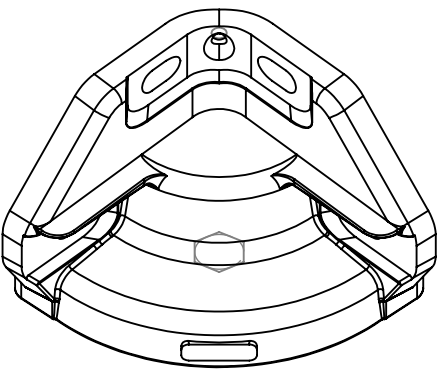
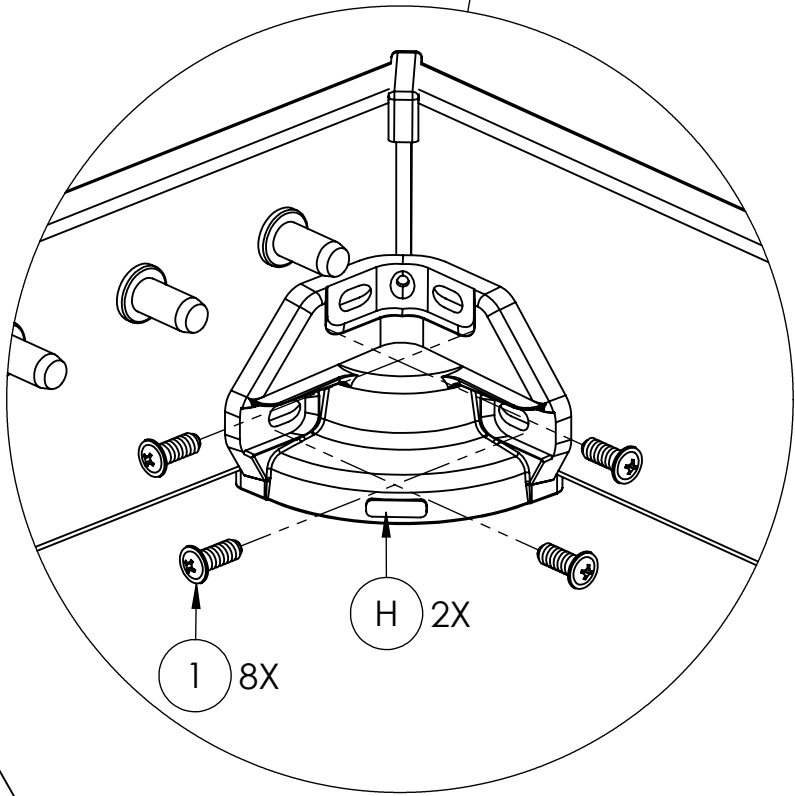
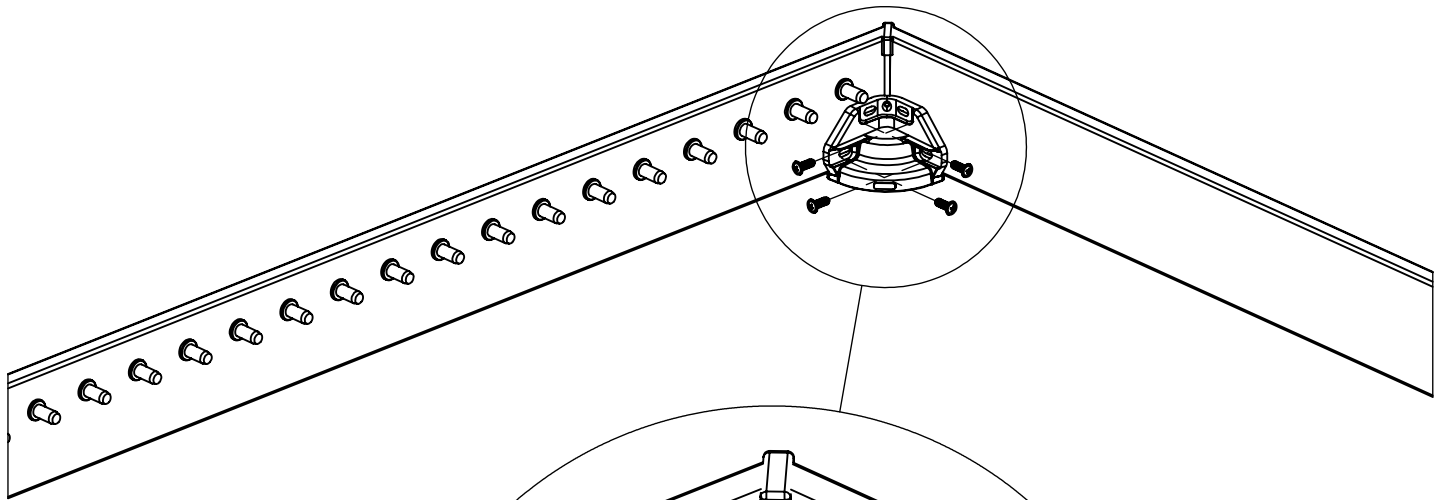
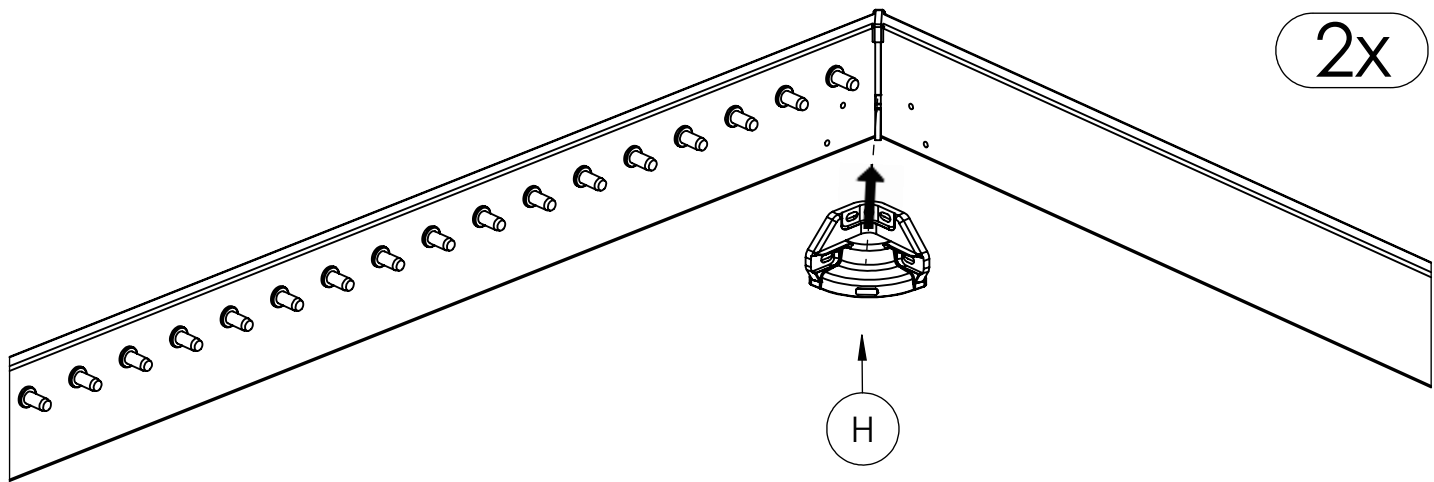
2x



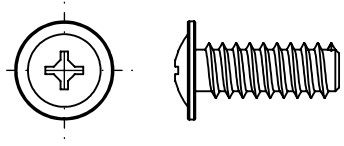
REF. A	2x
--------	----

REF. B	2X
--------	----

2x

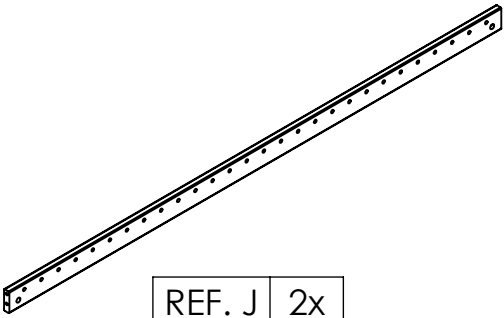
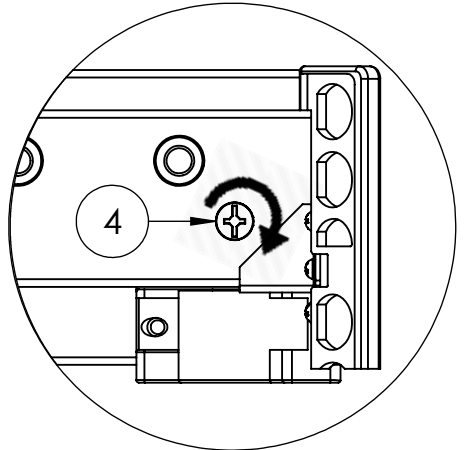
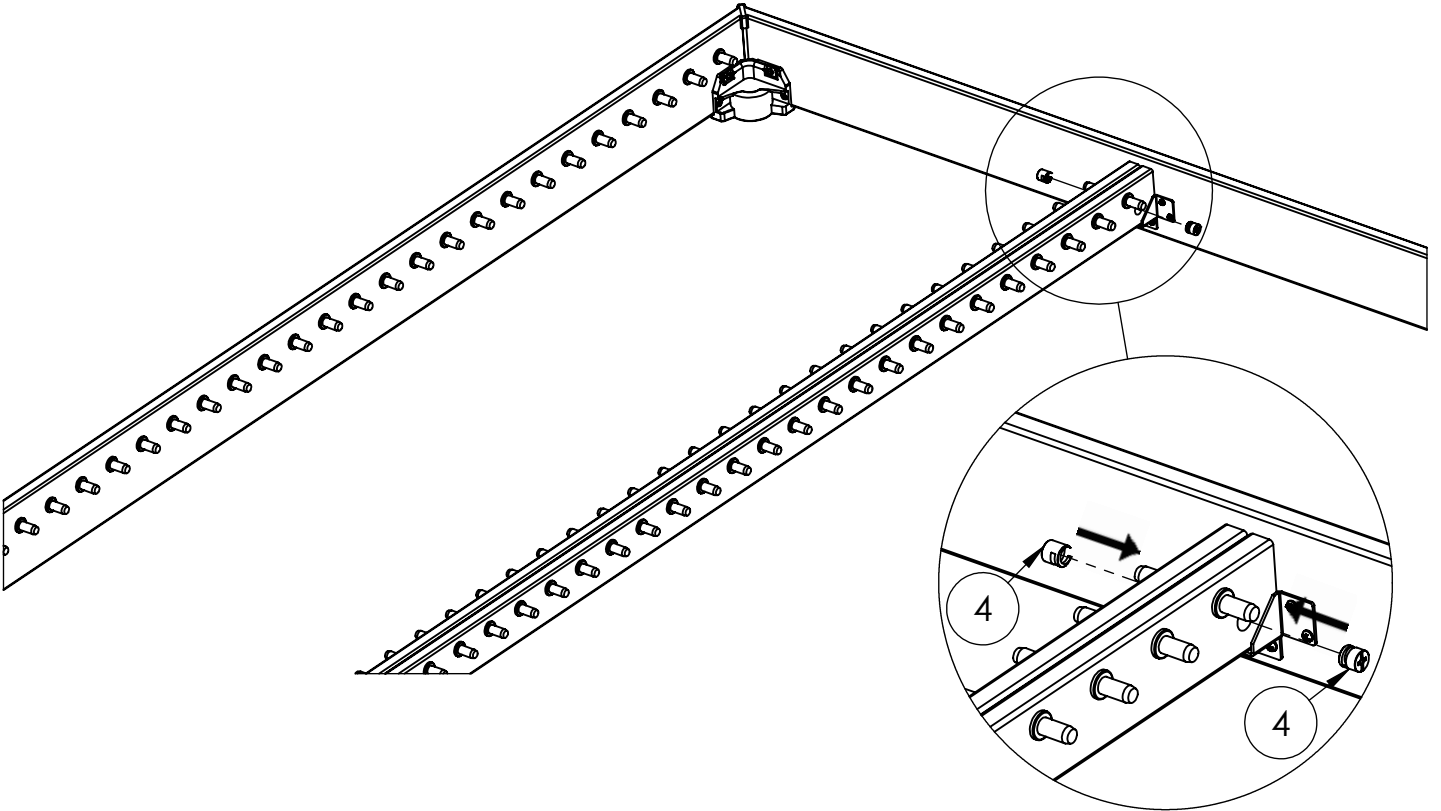
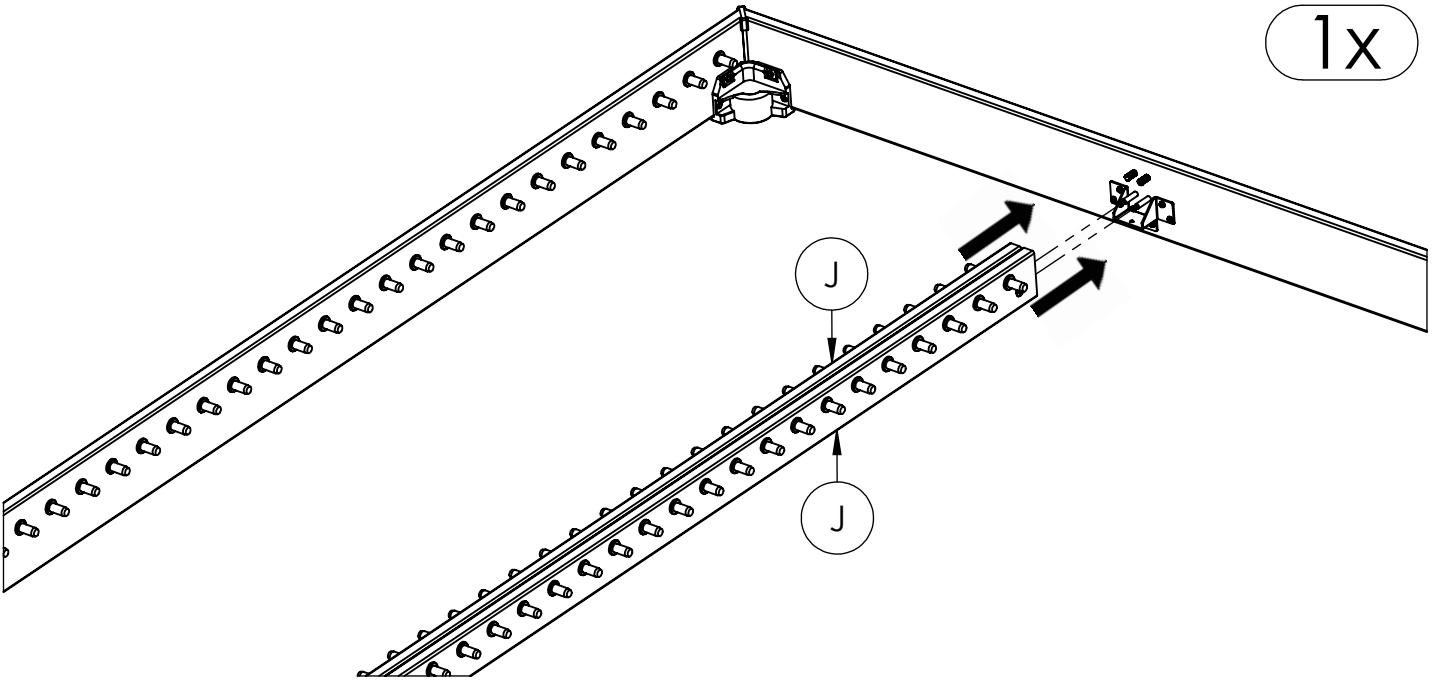


REF. H | 2x



REF. 1 | 8x

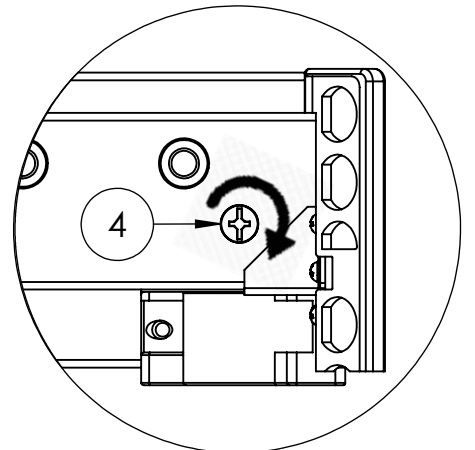
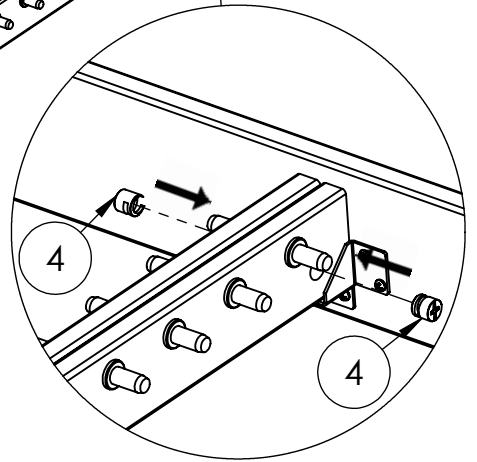
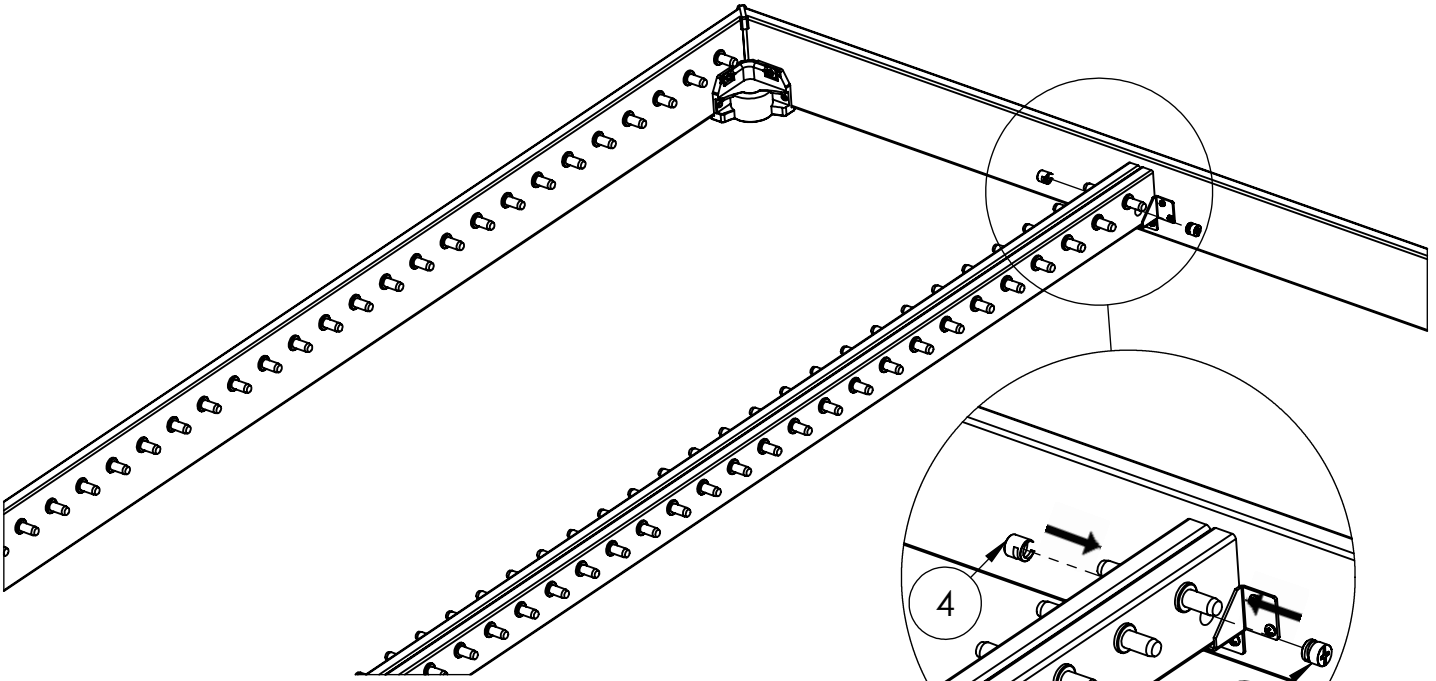
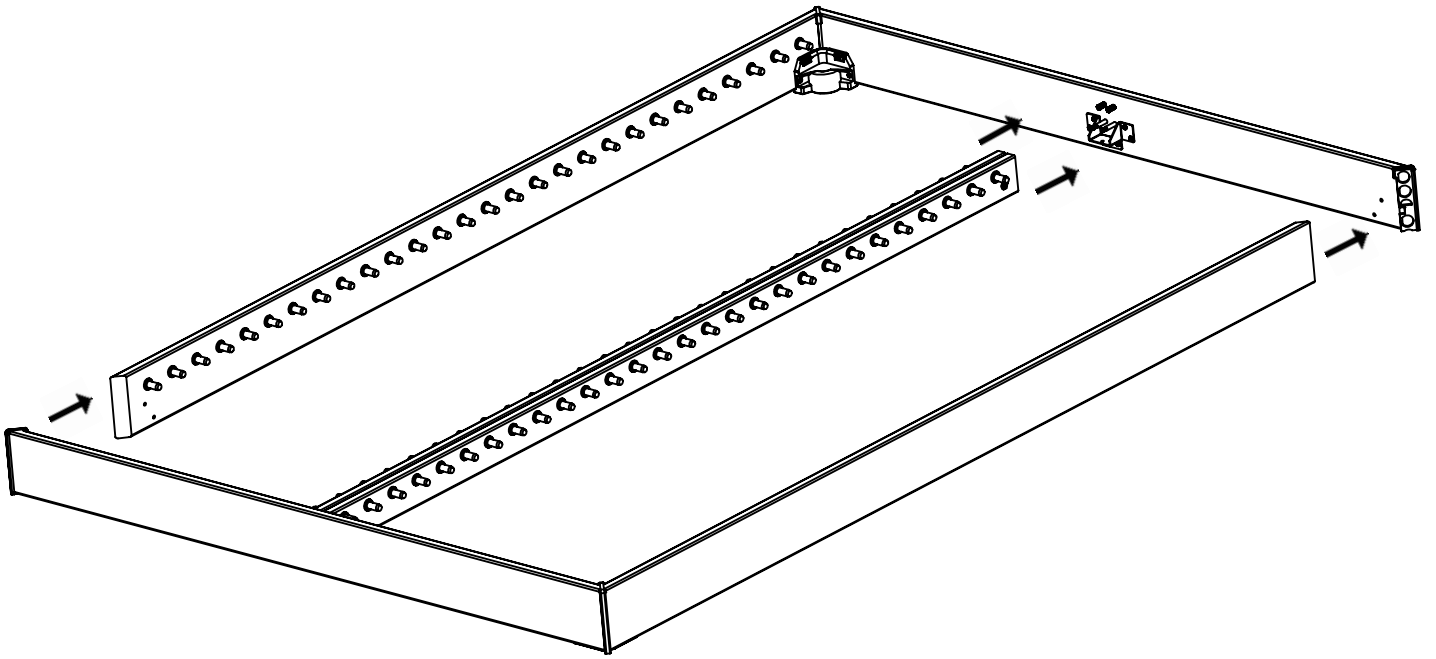
1x



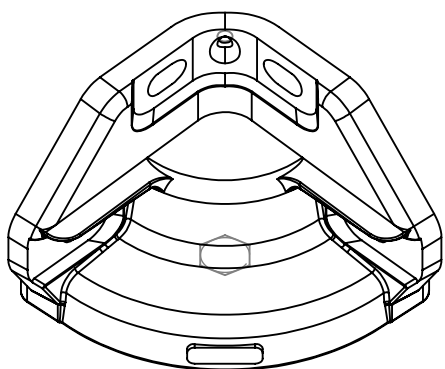
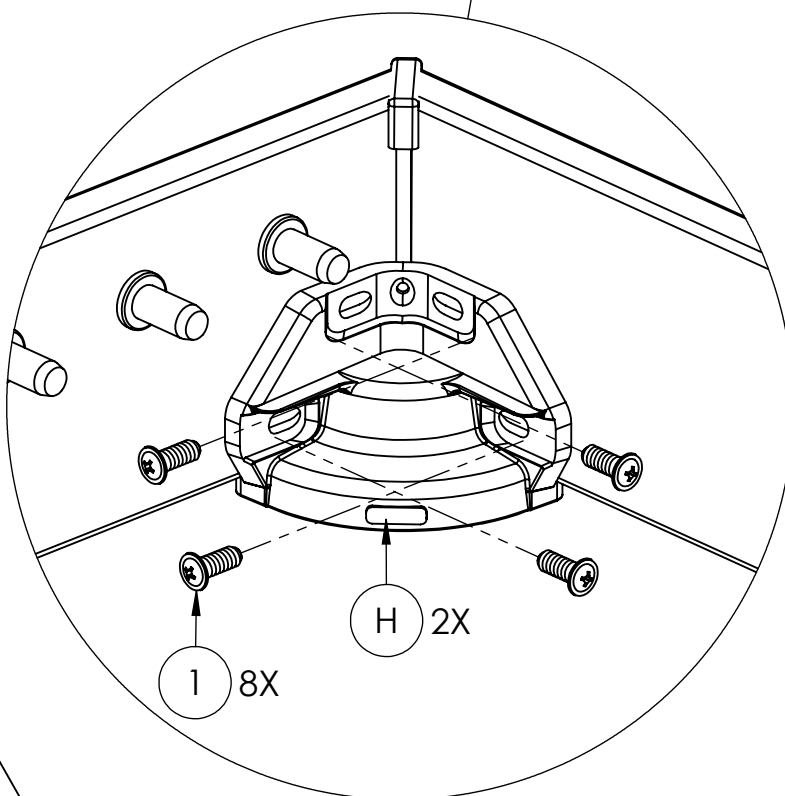
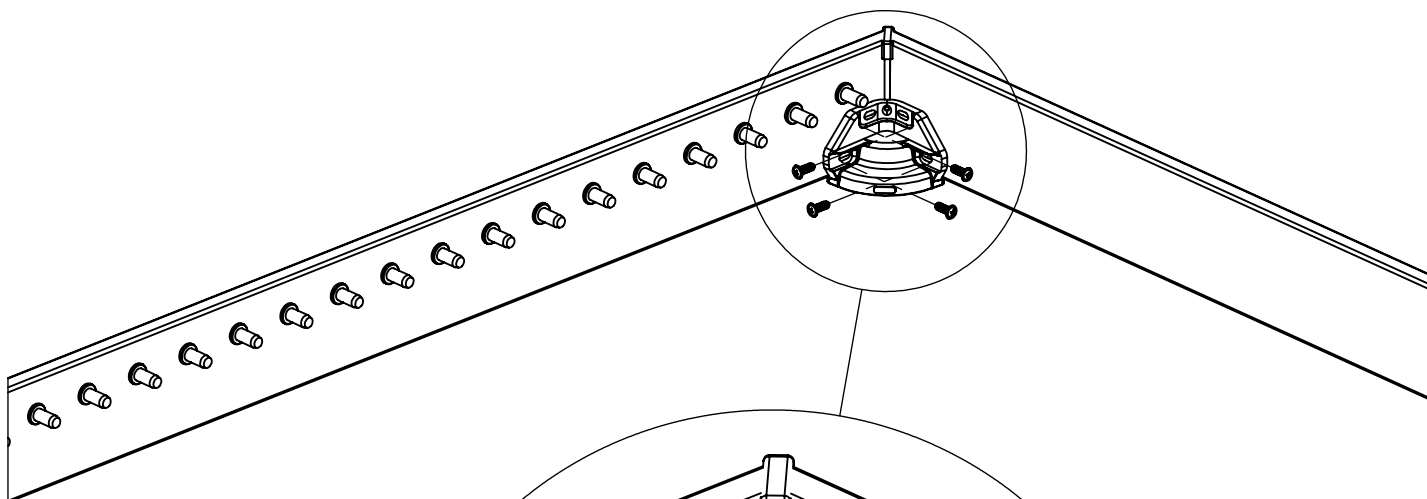
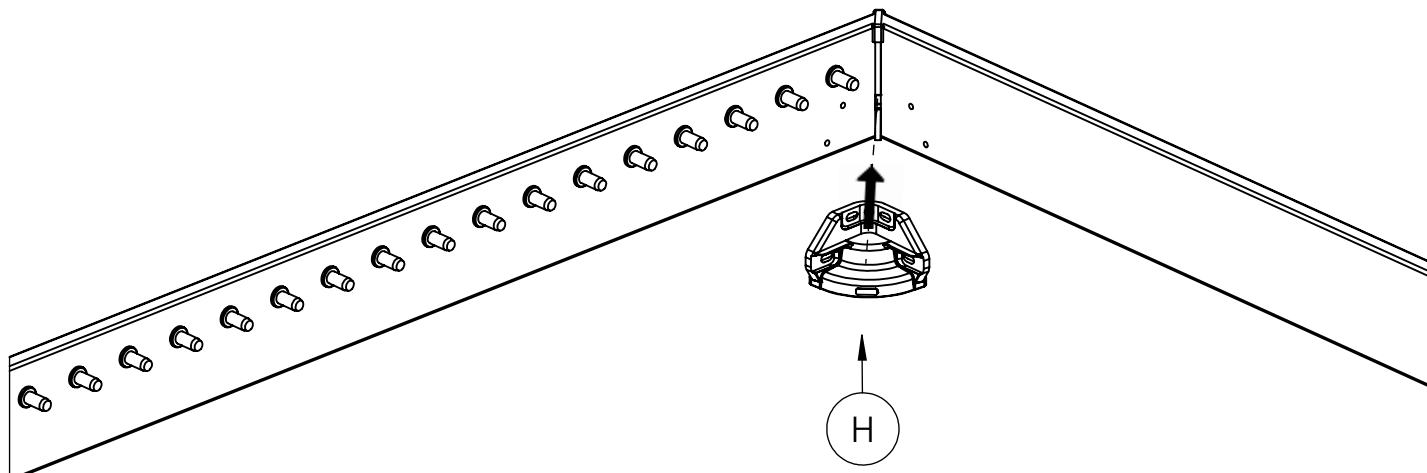
REF. J 2x



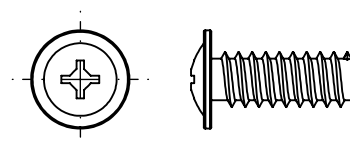
REF. 4 2x



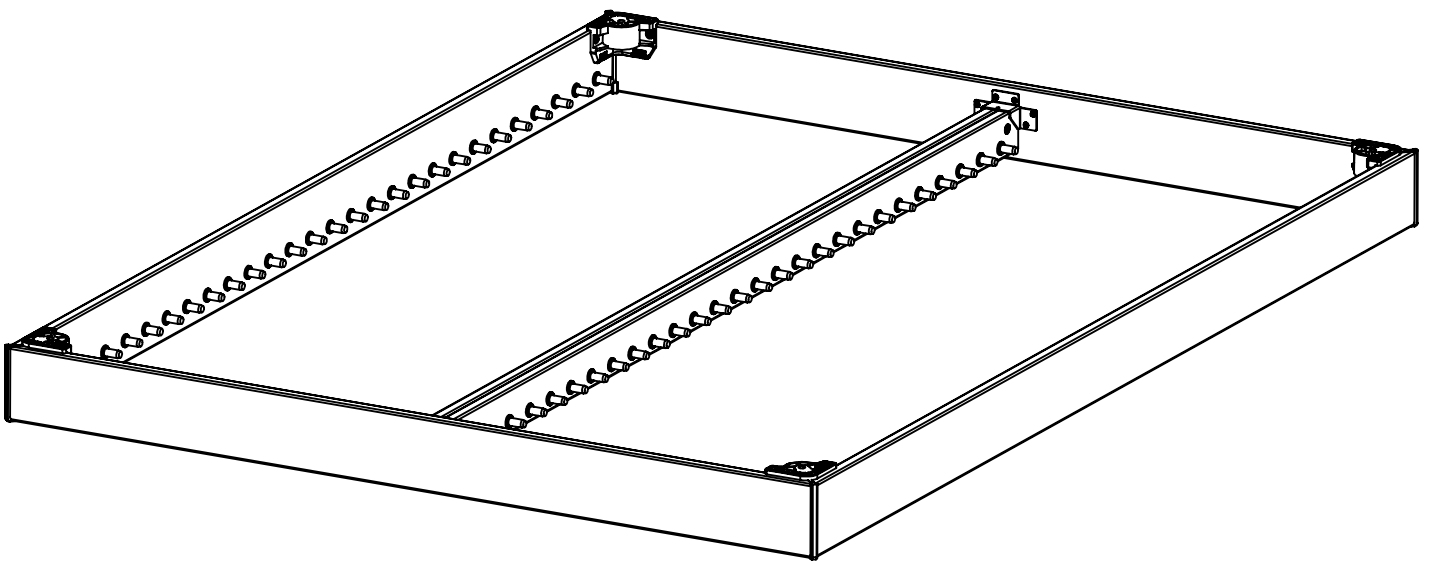
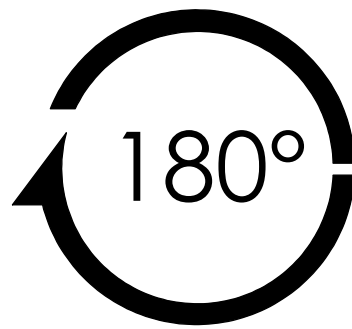
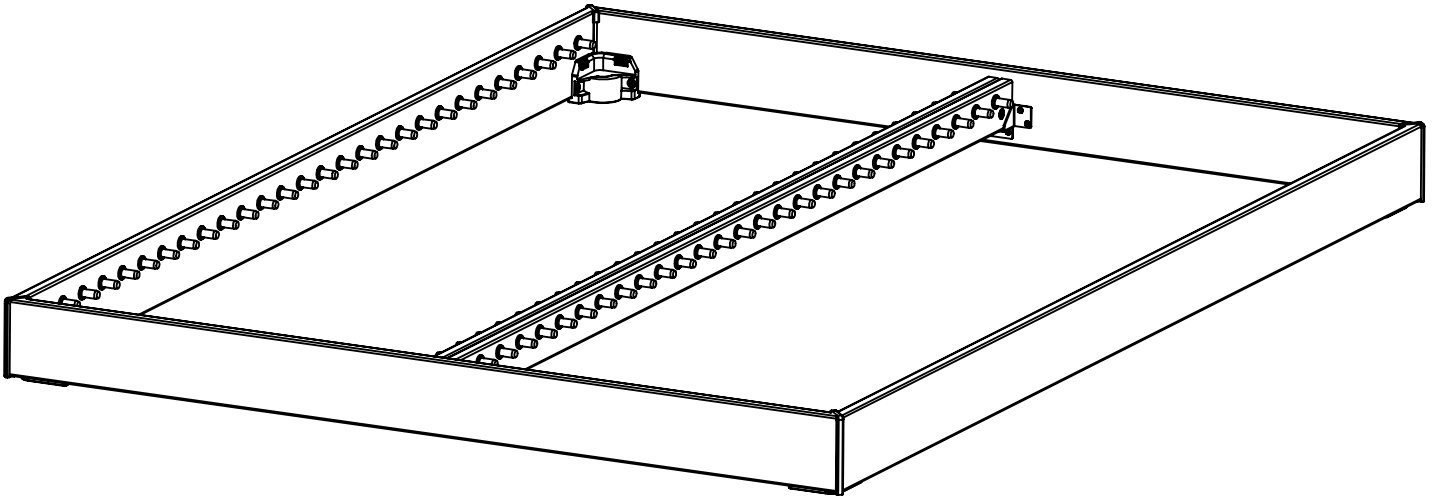
REF. 4 | 2x

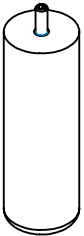
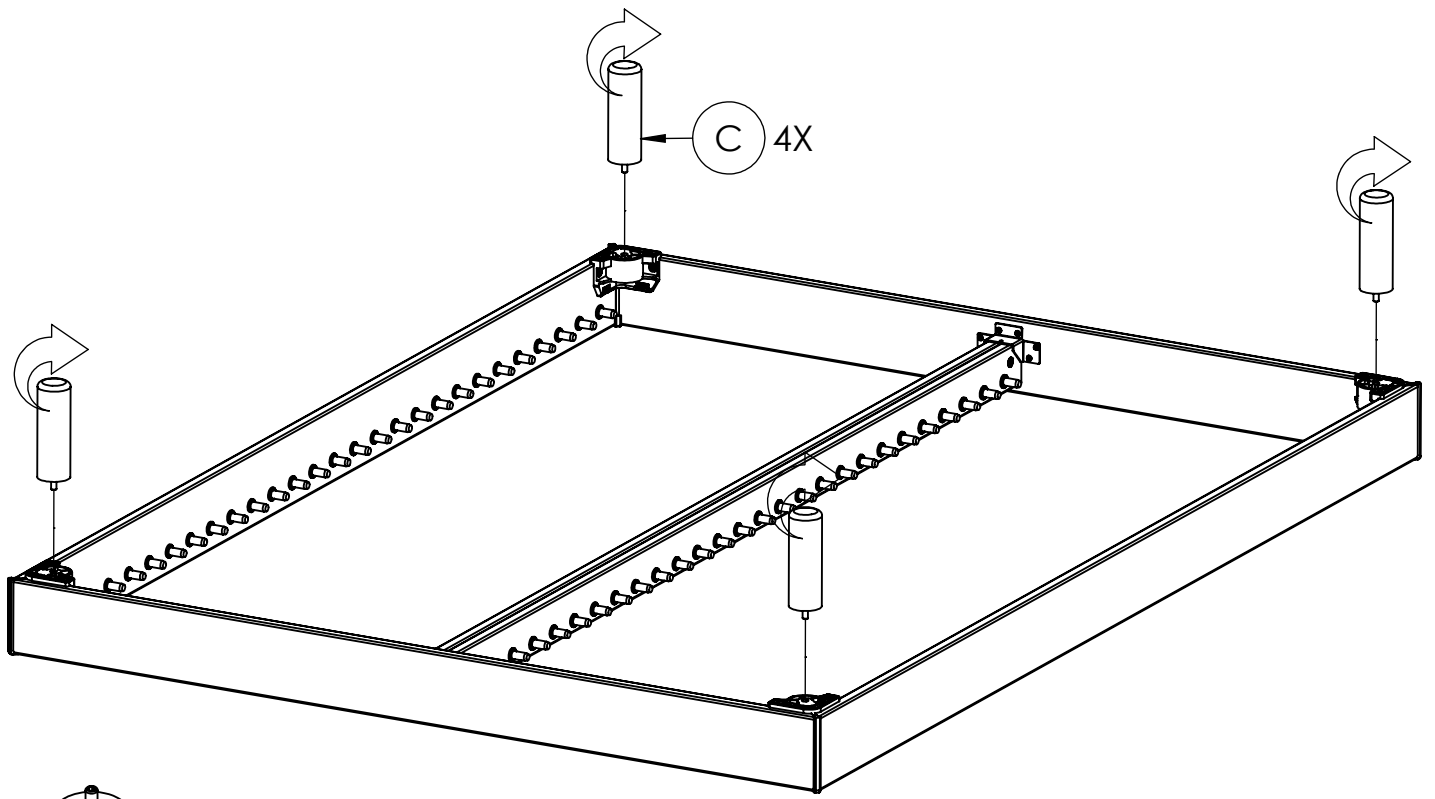


REF. H | 2x

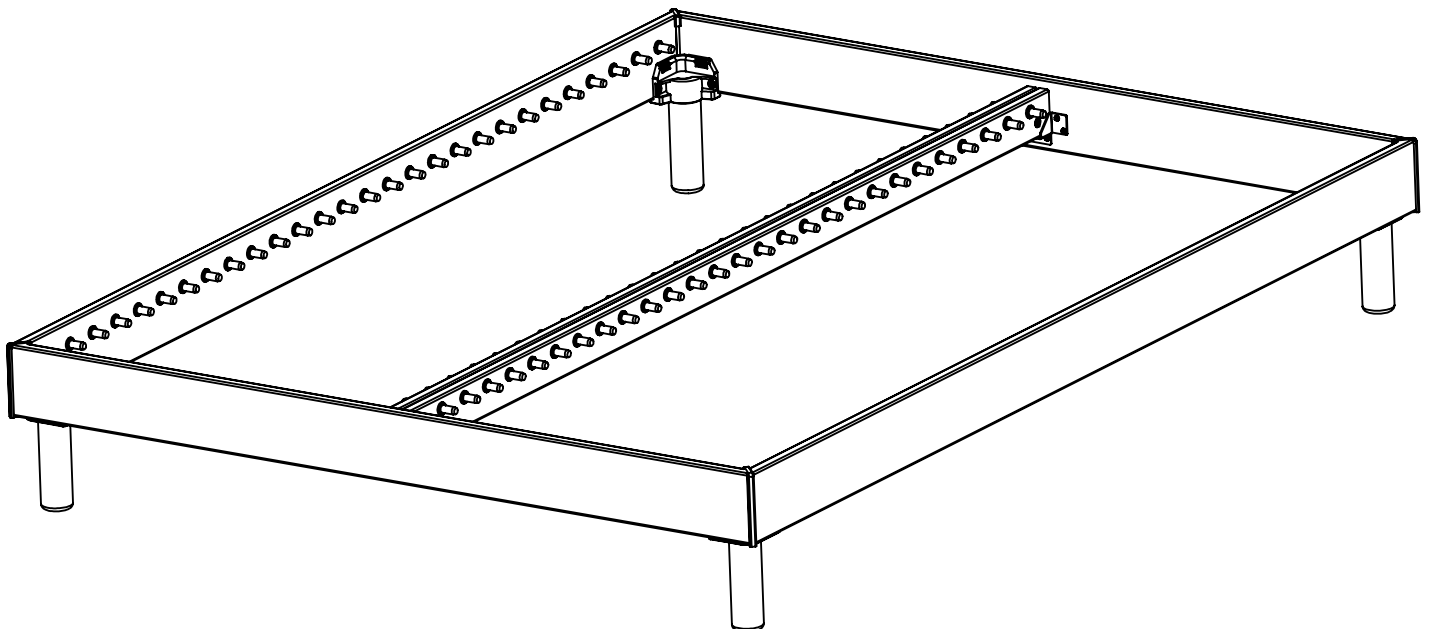
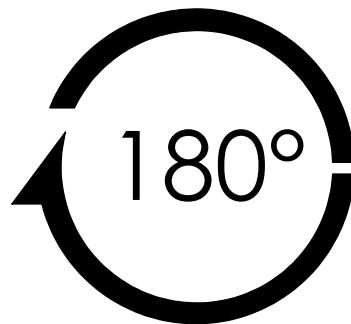


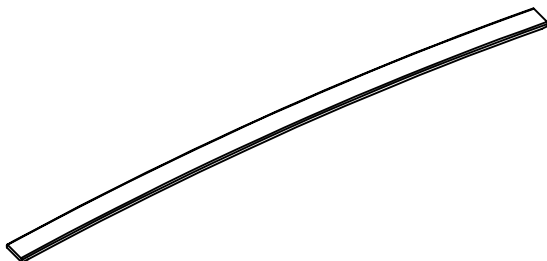
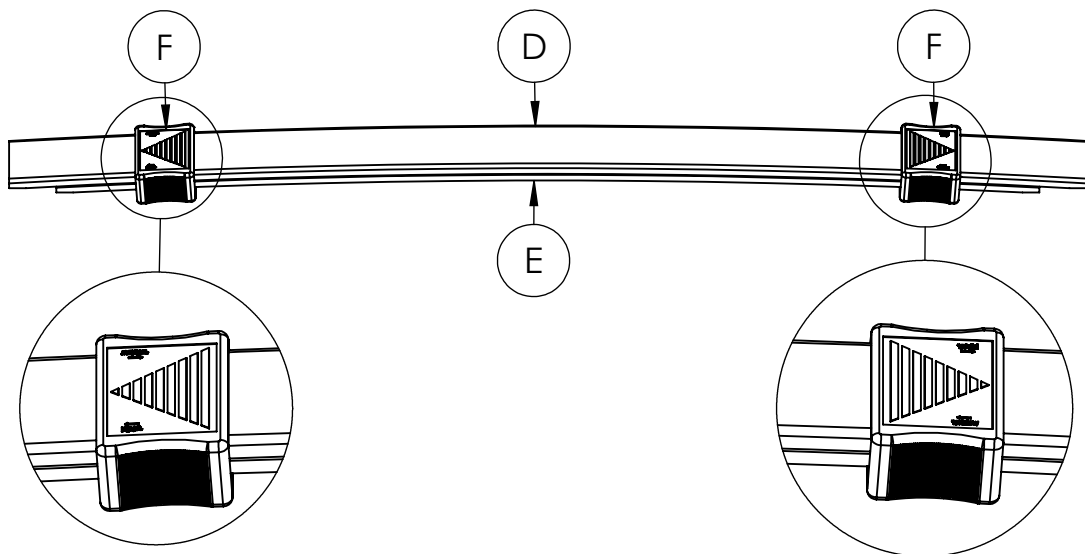
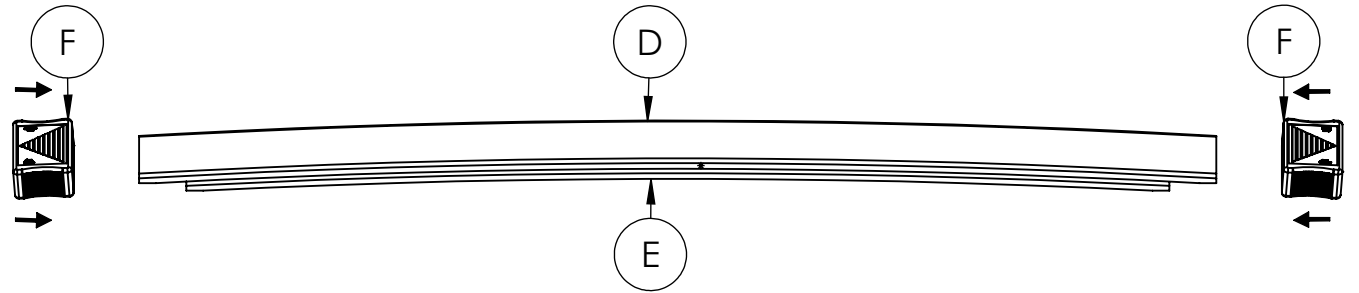
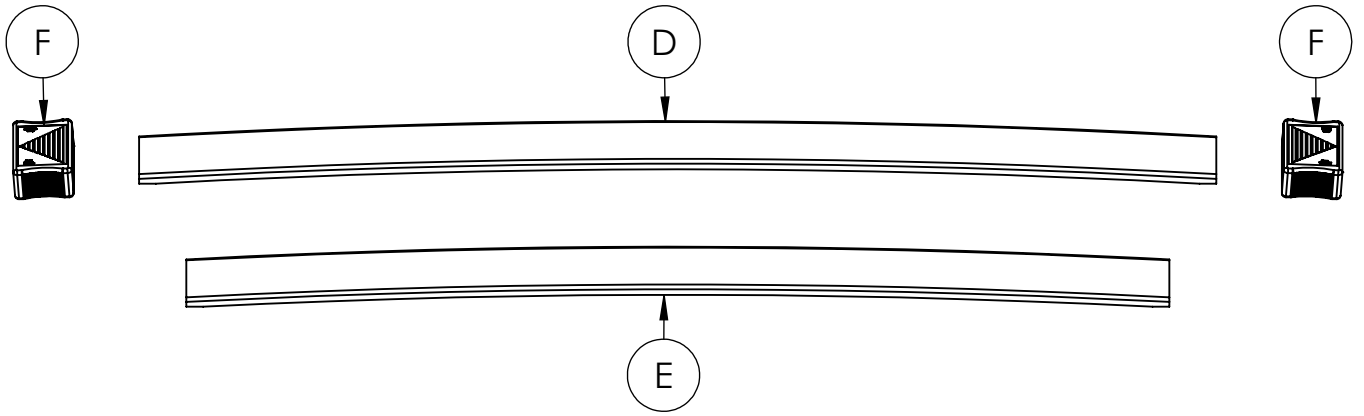
REF. 1 | 8x



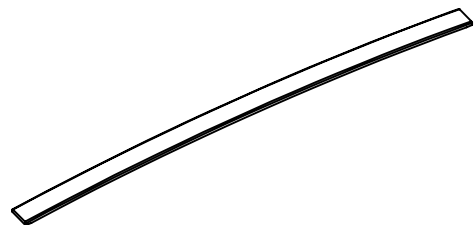


REF. C 4x

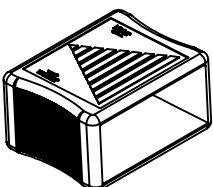




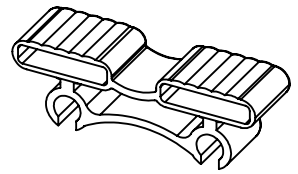
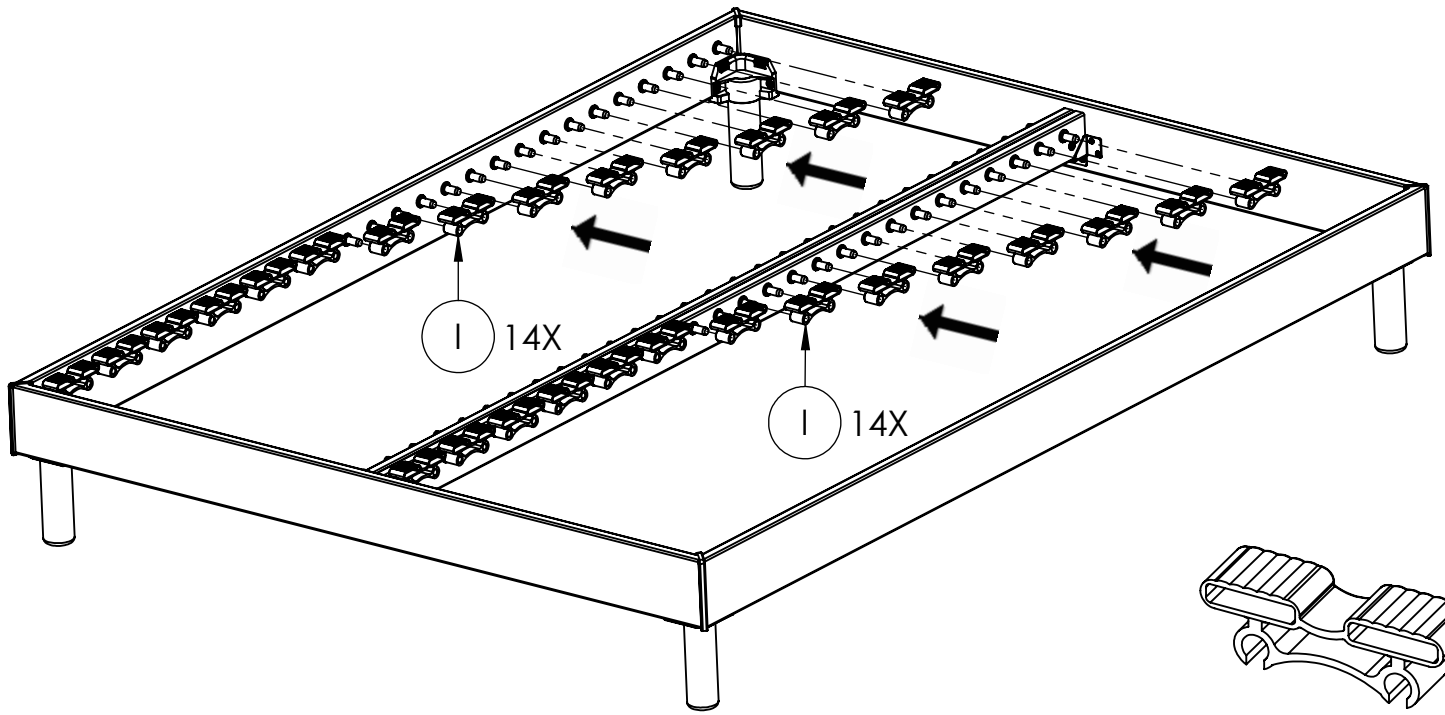
REF. D 12x



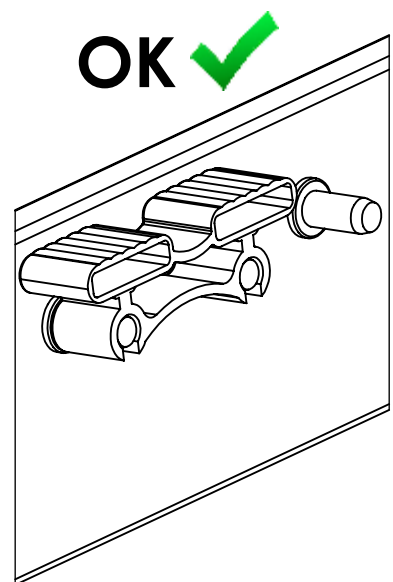
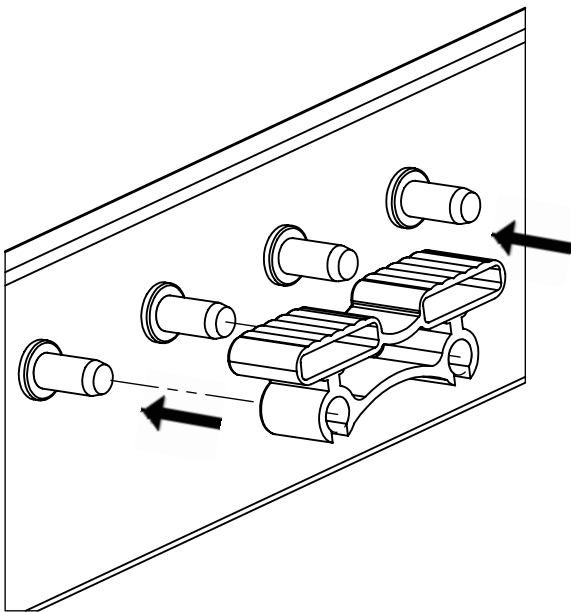
REF. E 12x



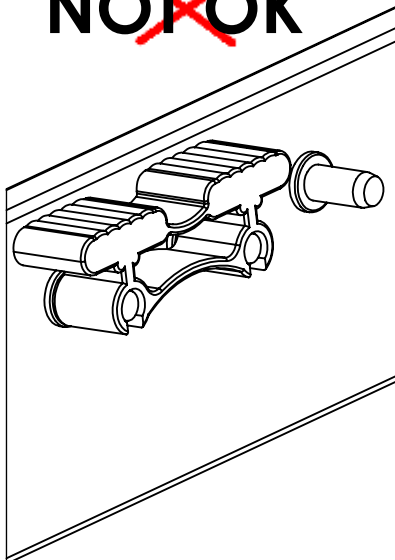
REF. F 24x



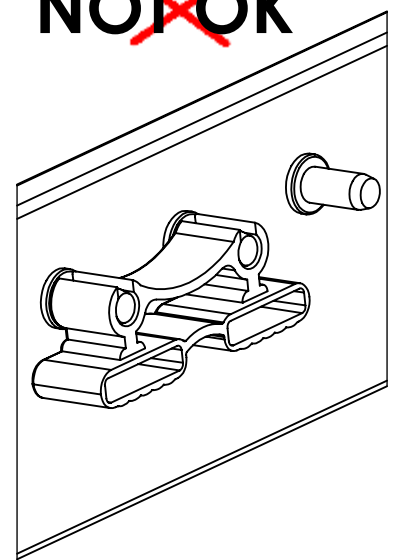
REF. I 28x

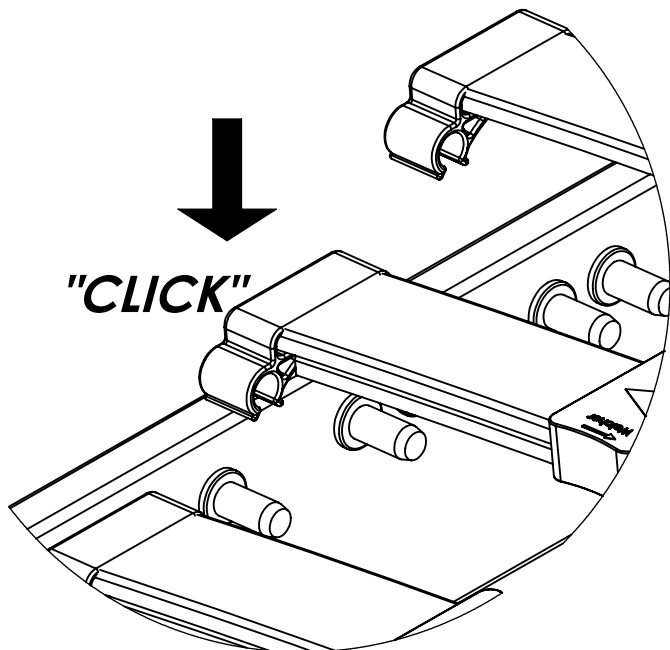
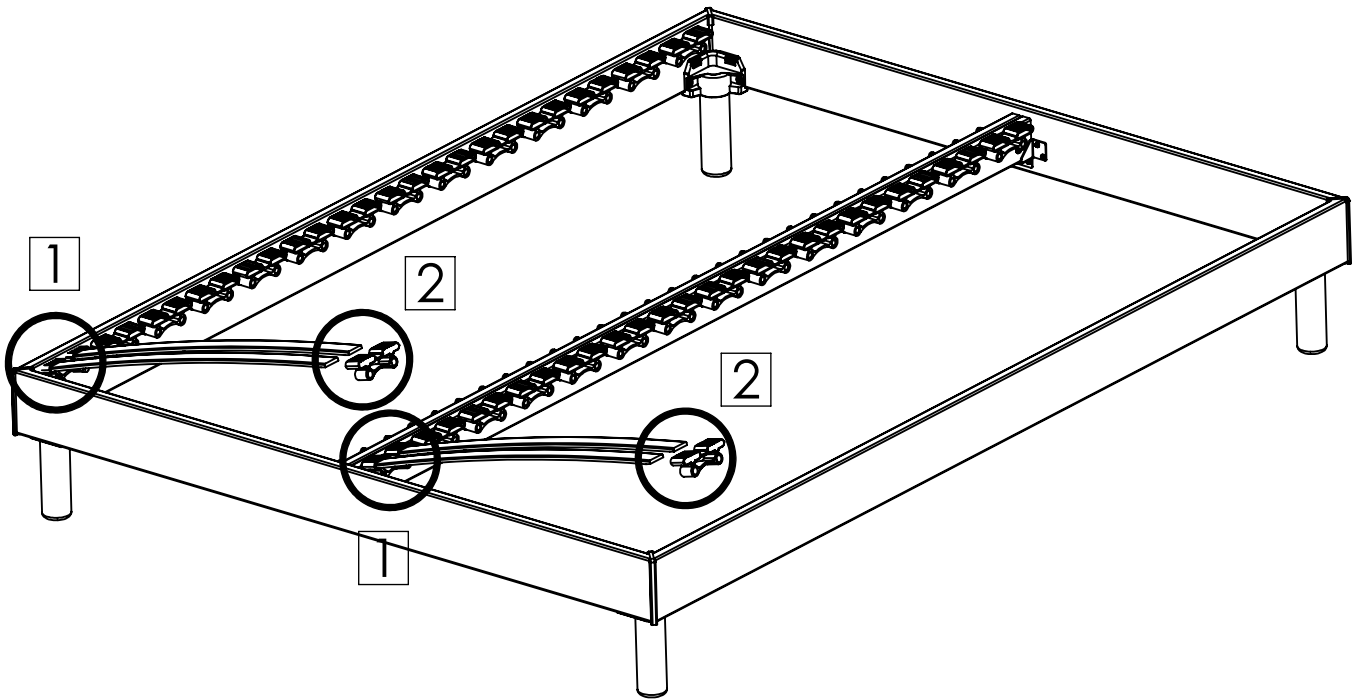
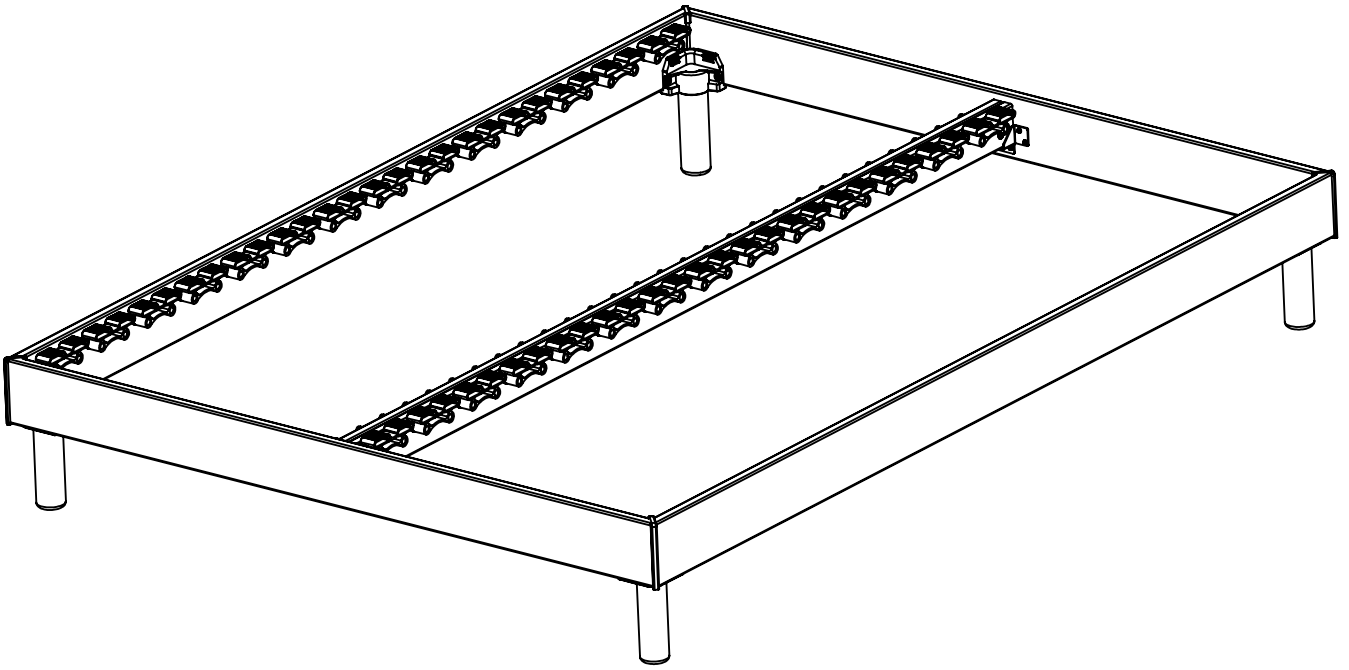


~~NOT OK~~

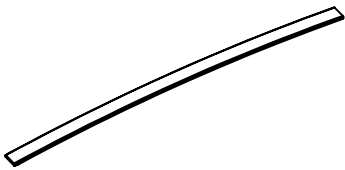
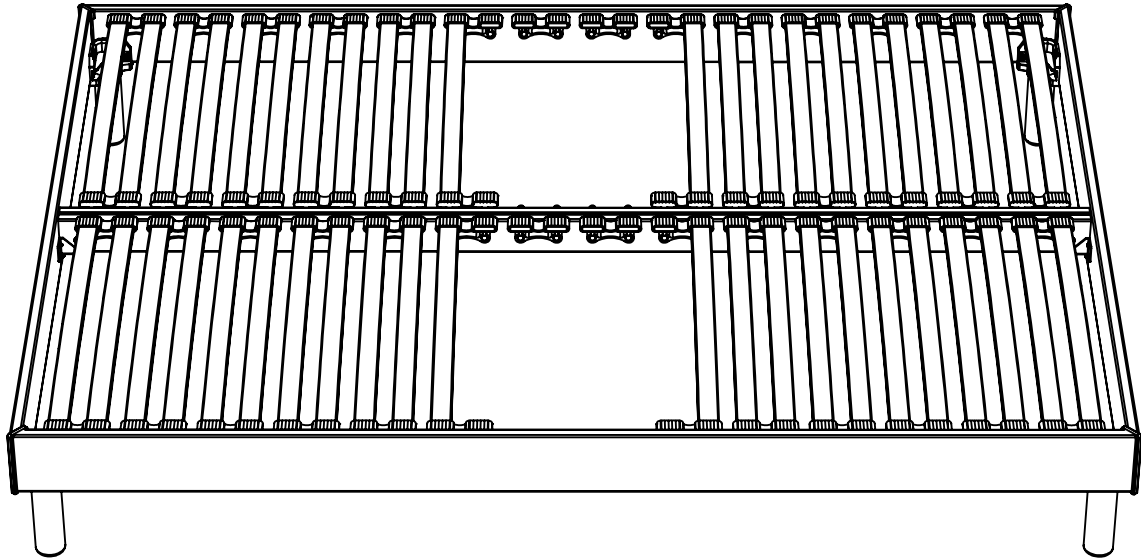


~~NOT OK~~

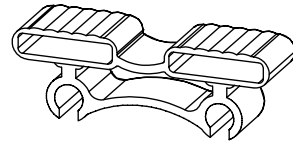




1

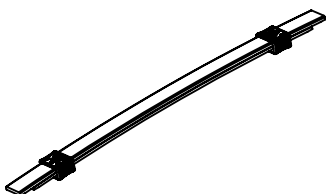
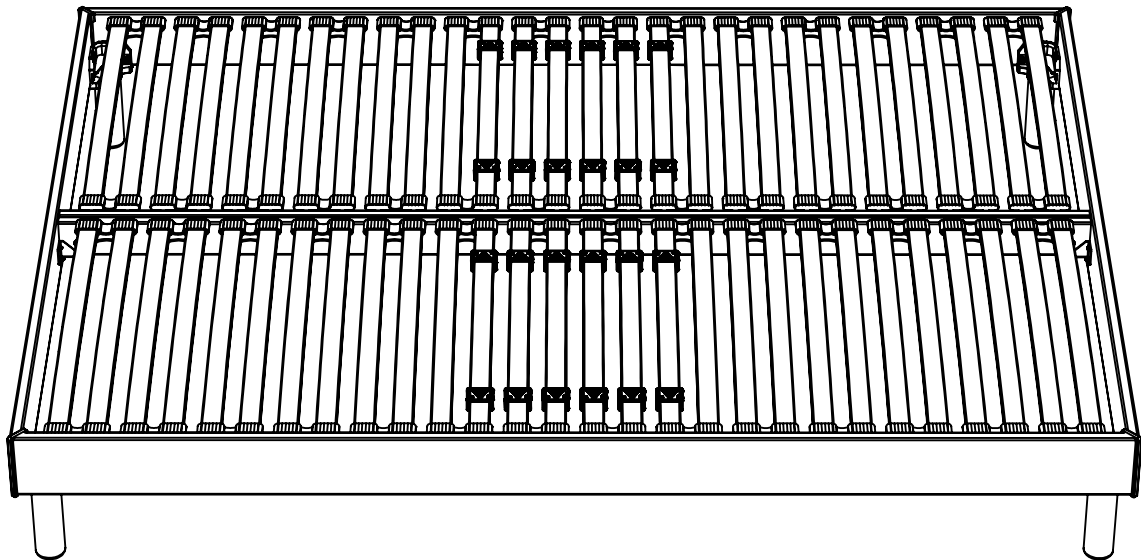


REF. D 44x

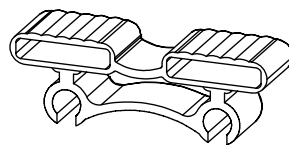


REF. I 24x

2



12x



REF. I 4x

