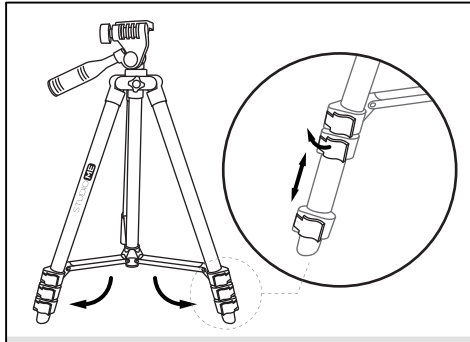
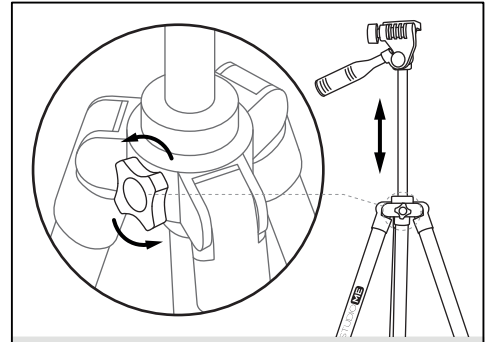


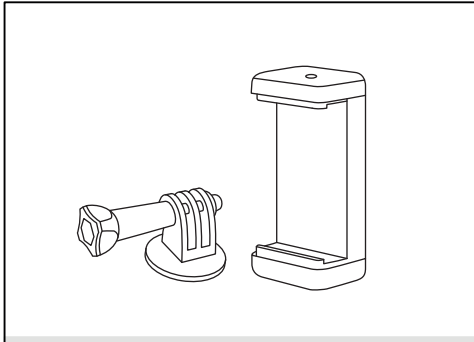
STEP 1: Remove tripod from packaging



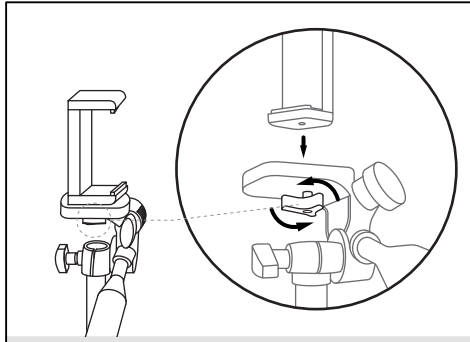
STEP 2: Unfold and determine height of the tripod



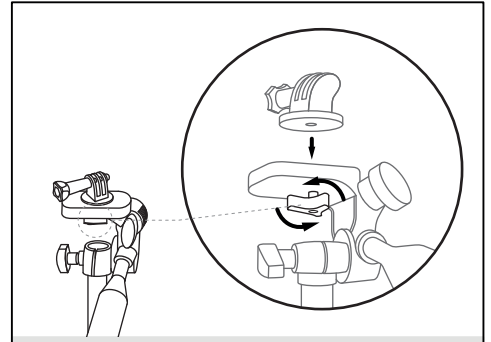
STEP 3: Fix height of the tripod by turning the knob



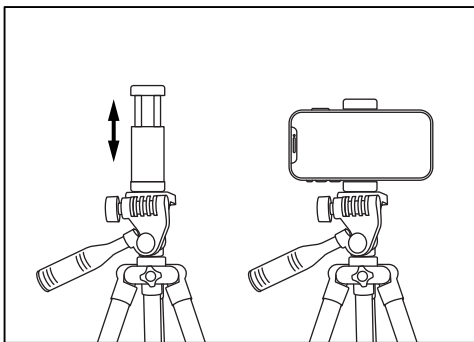
STEP 4: Remove phone holder and GoPro holder from packaging



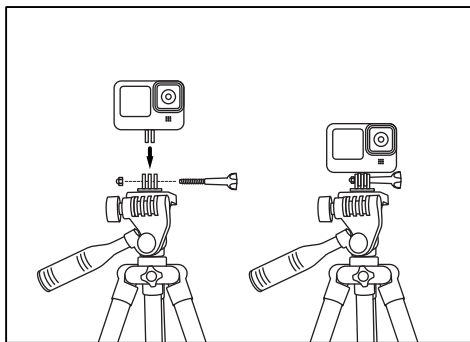
STEP 5: Screw phone holder to the tripod



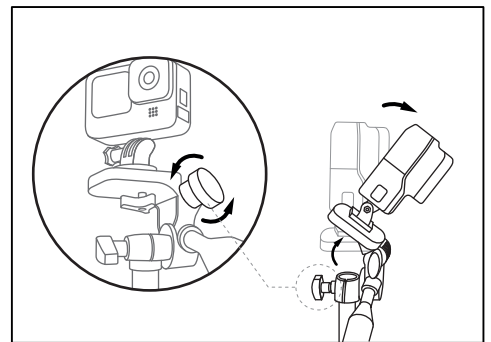
STEP 6: Screw GoPro holder to the tripod



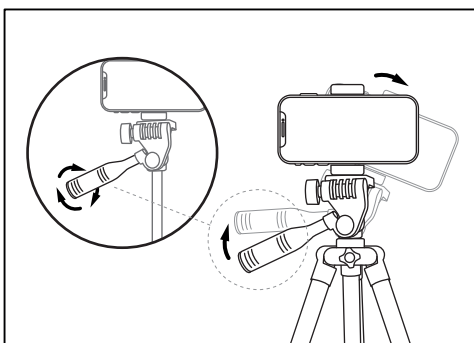
STEP 7: Place phone on holder



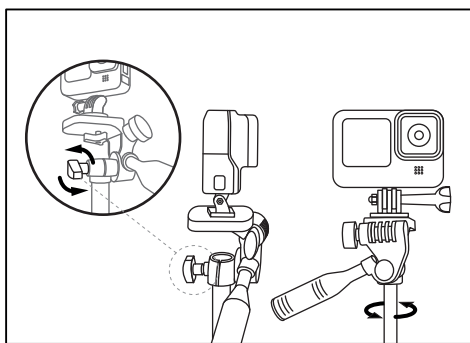
STEP 8: Place Go Pro on holder



STEP 9: Determine vertical angle, unscrew and tighten the knob (Max. 180 degrees)



STEP 10: Determine horizontal angle, unscrew and tighten the lever (Max. 180 degrees)



STEP 11: Determine rotation, loose and then tighten the knob (360 degrees)