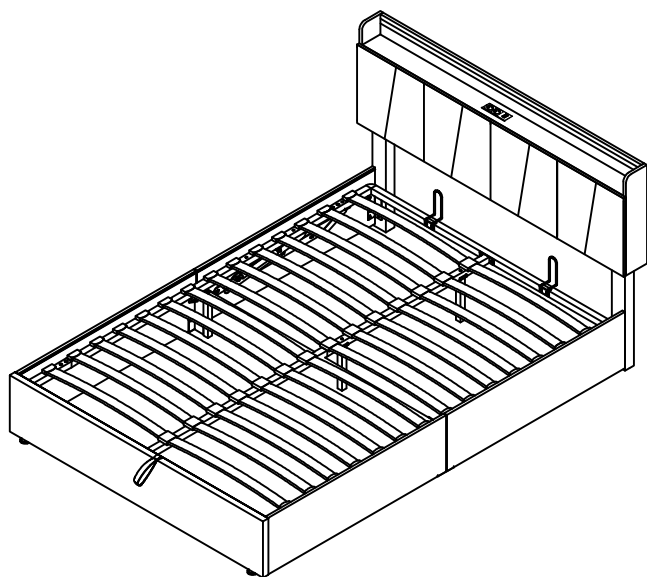


MONTAGEANLEITUNG

Artikelnummer: WF308784/WF308785/WF308786



Please check that you have all the parts listed before you start assembling, if you do find that something is missing, do not continue assembly, please contact us immediately.

NOTE: Please do not completely tighten all the hardware until the entire assembly is complete!

Bitte überprüfen Sie, ob alle Teile mitgeliefert sind, bevor Sie mit der Montage beginnen. Wenn Sie festlegen, dass etwas fehlt, setzen Sie die Montage nicht fort. Bitte kontaktieren Sie uns sofort.

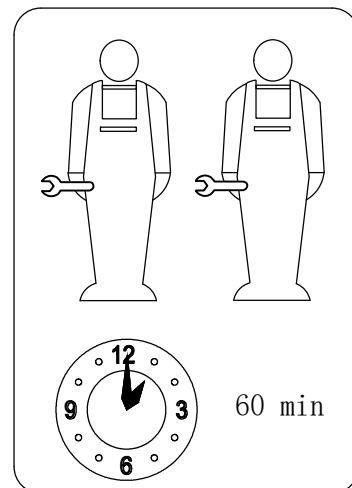
Achtung: Bitte ziehen Sie nicht alle Schrauben fest, bevor die Montage abgeschlossen ist!

- | | |
|-----------------------------|-------------------------------|
| Ⓓ Gebrauchsanweisung | ⒸⒺ Instructions for use |
| ⒶⒺ Gebruiksrichtlijnen | ⒻⒺ Instructions d'utilisation |
| ⒾⒺ Istruzioni per l'uso | ⒼⒺ Instrukcja obsługi |
| ⒸⒺ Pokyny k použití | ⒺⒺ Instrucciones de empleo |
| ⒻⒺ Használati útmutató | ⒺⒺ Instructiuni de folosire |
| ⒼⒺ Instruções de utilização | ⒺⒺ Инструкция по монтажу |
| ⒶⒺ Pokyny k použitiu | ⒺⒺ Kullanım talimatları |

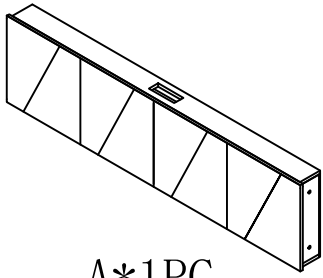
This set will be shipped by 3 boxes and they may arrive on different days. If all packages arrived but parts missing, please contact customer service.

Dieses Set wird in drei Boxen versendet und kann auf Anfrage ankommen.

Wenn alle Pakete angekommen sind, aber Teile fehlen, Bitte wenden Sie sich an den Kundendienst.

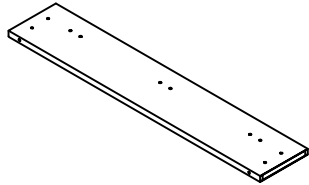


WF308784

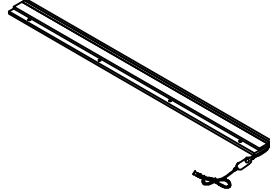


A*1PC

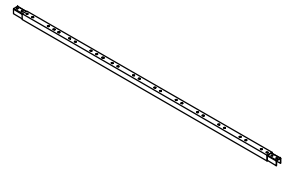
WF308786



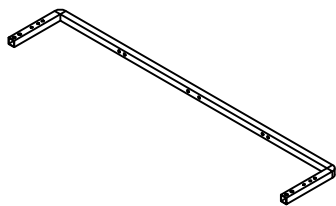
B*1PC



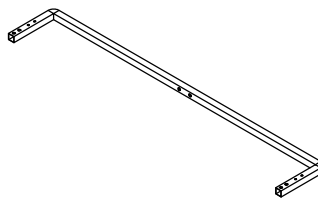
E*1PC



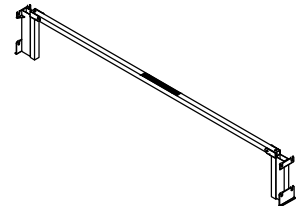
K*2PCS



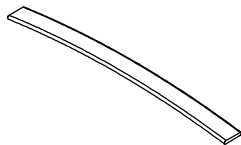
J1*1PC



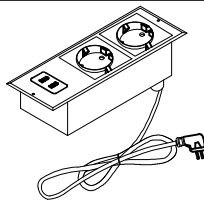
J2*1PC



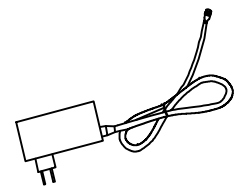
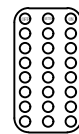
I*1PC



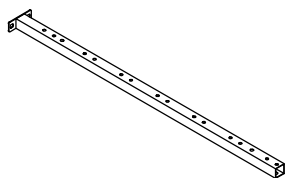
L*28PCS



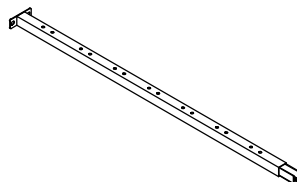
M*1PC



P*1PC

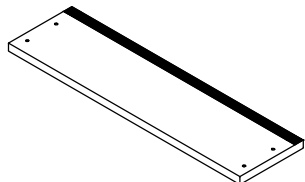


O1*1PC

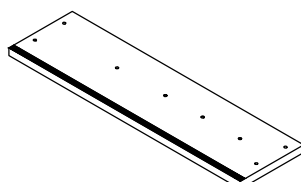


O2*1PC

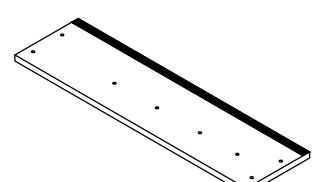
WF308785



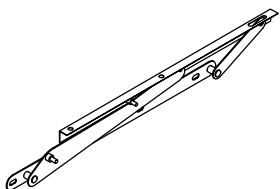
C*2PCS



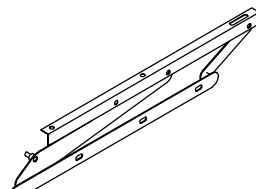
D1*1PC



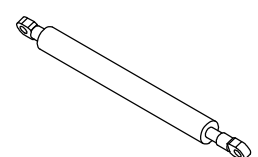
D2*1PC



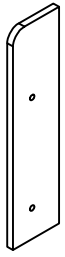
H1*1PC



H2*1PC



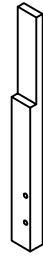
N*2PCS



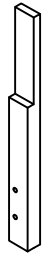
F1*1PC



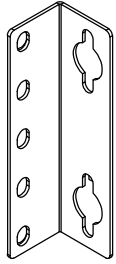
F2*1PC



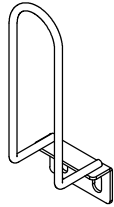
G1*1PC



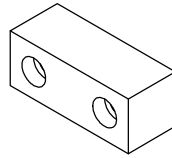
G2*1PC



S*4PCS



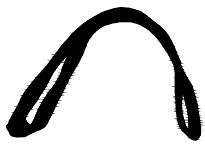
Q*2PCS



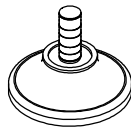
T*3PCS



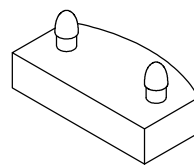
R*2PCS



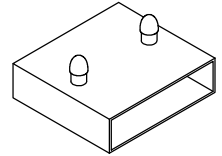
U*1PC



V*2PCS

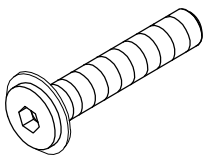


W1*28PCS

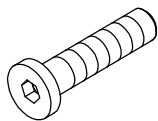


W2*14PCS

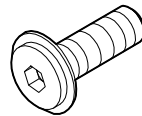
Hardware List-Hardwareliste WF308785



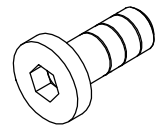
M8*50MM
X1*10PCS



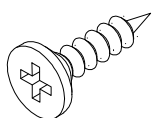
M8*45MM
X2*10PCS



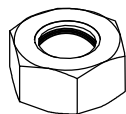
M8*30MM
X3*48PCS



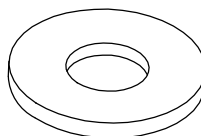
M8*16MM
X4*10PCS



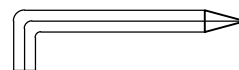
M3*16MM
X5*2PCS



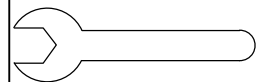
M8
Y*10PCS



∅22*∅8.5
Z1*8PCS



M8
Z2*1PC



M8
Z3*1PC

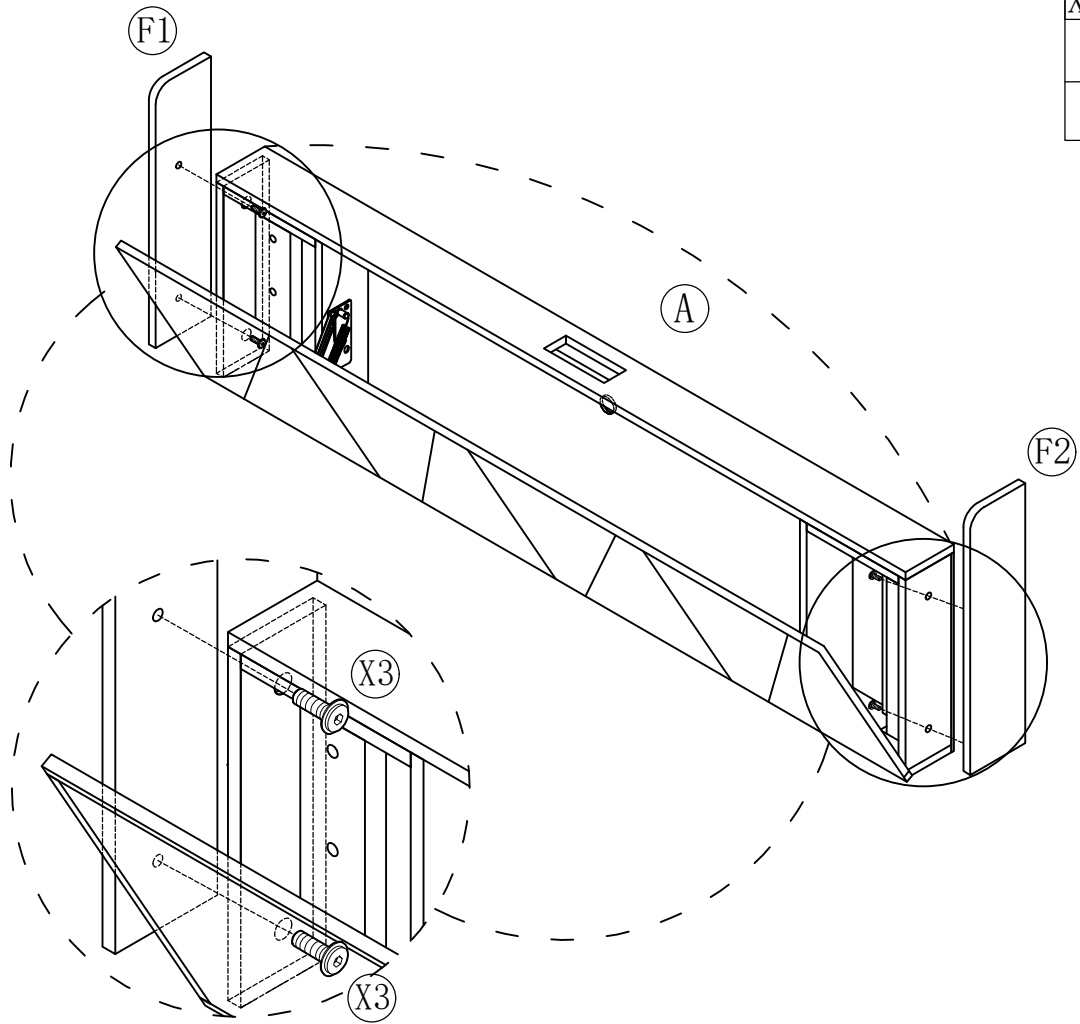
Step1

Schritt1

X3

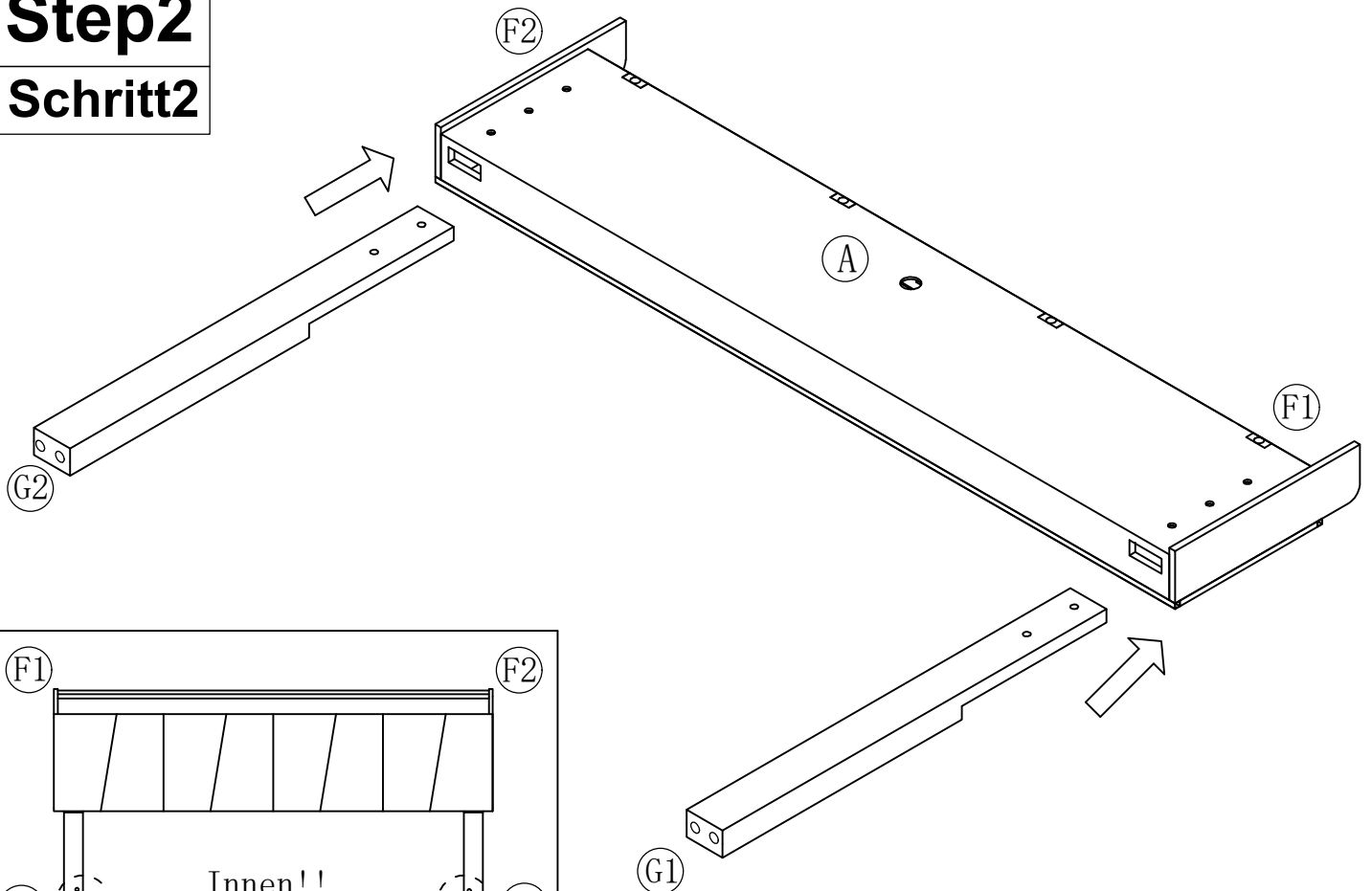


4PCS



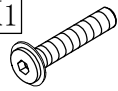

Step2

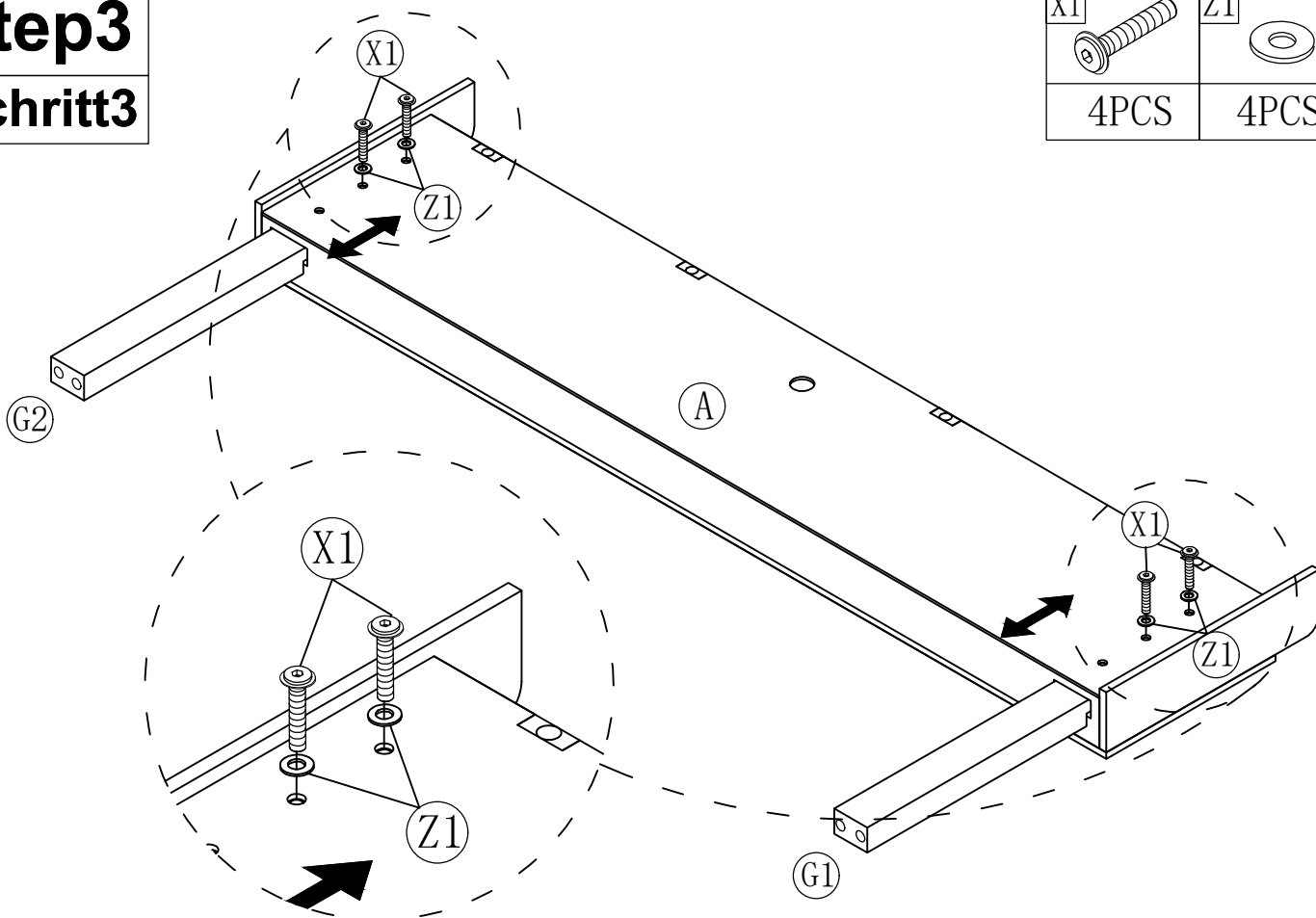
Schritt2



Step3

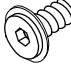
Schritt3

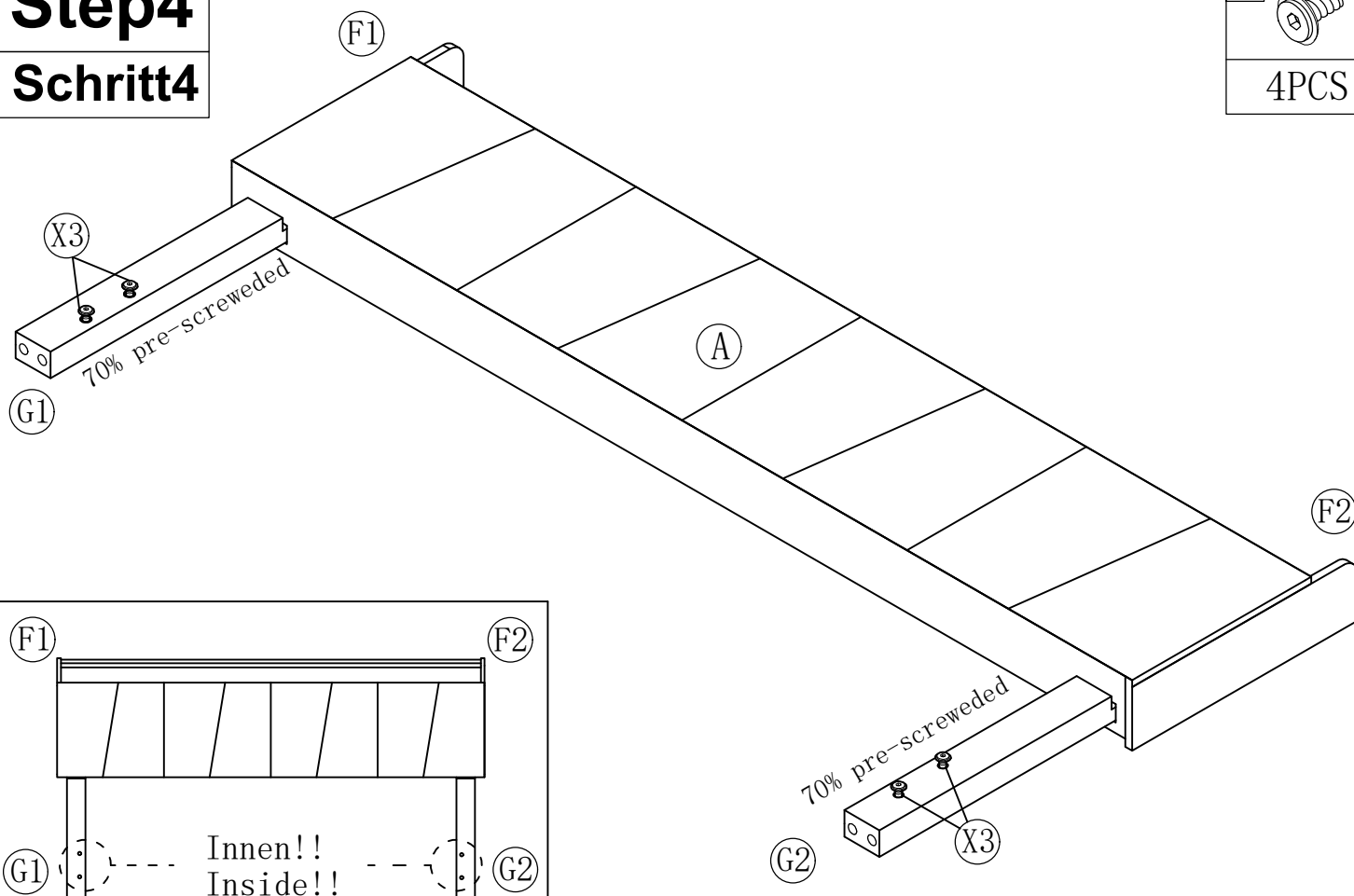
X1		Z1	
4PCS		4PCS	



Step4

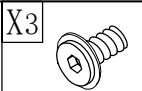
Schritt4

X3	
4PCS	

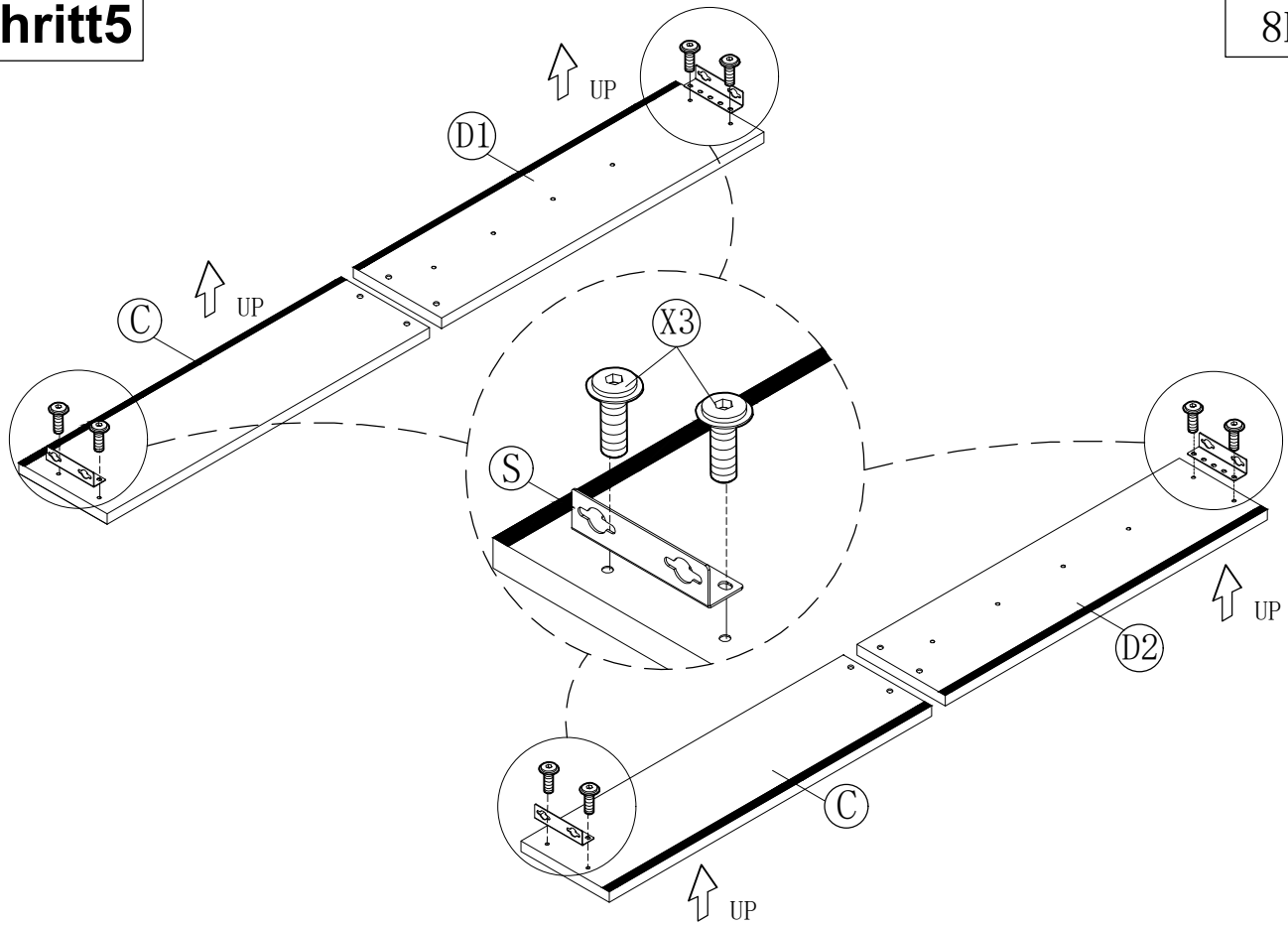


Step5

Schritt5

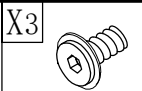


8PCS

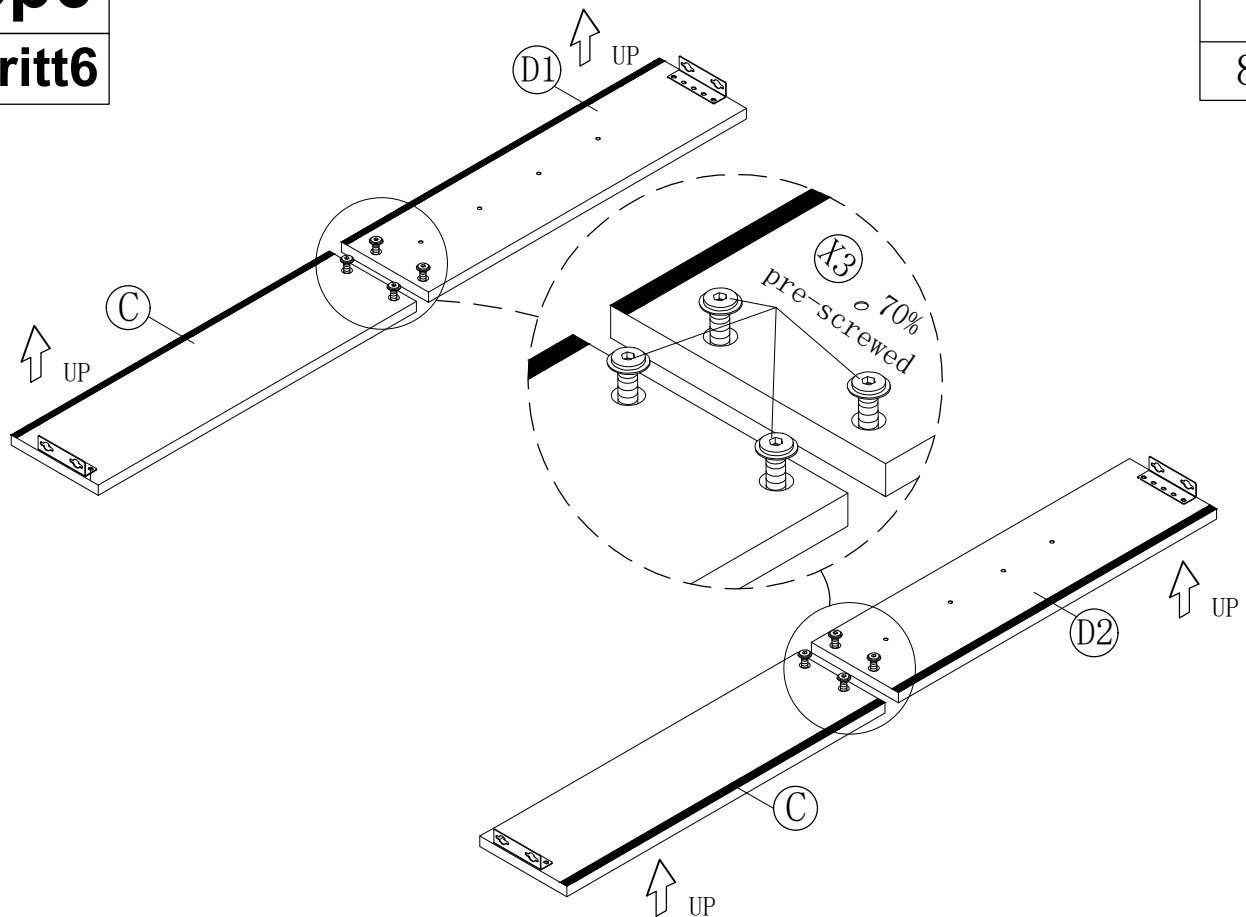


Step6

Schritt6



8PCS



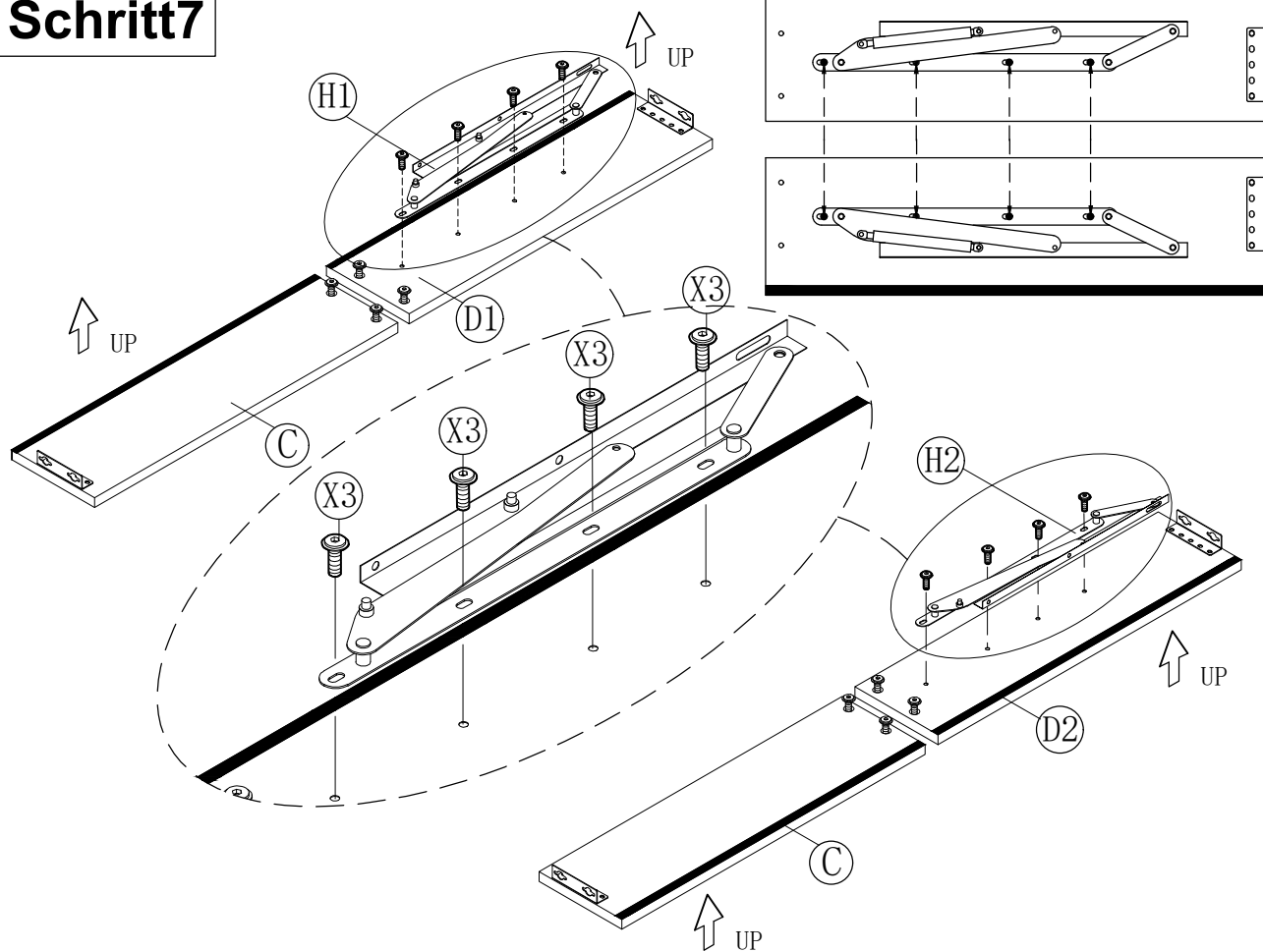
Step7

Schritt7

X3



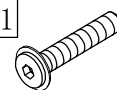
8PCS



Step8

Schritt8

X1

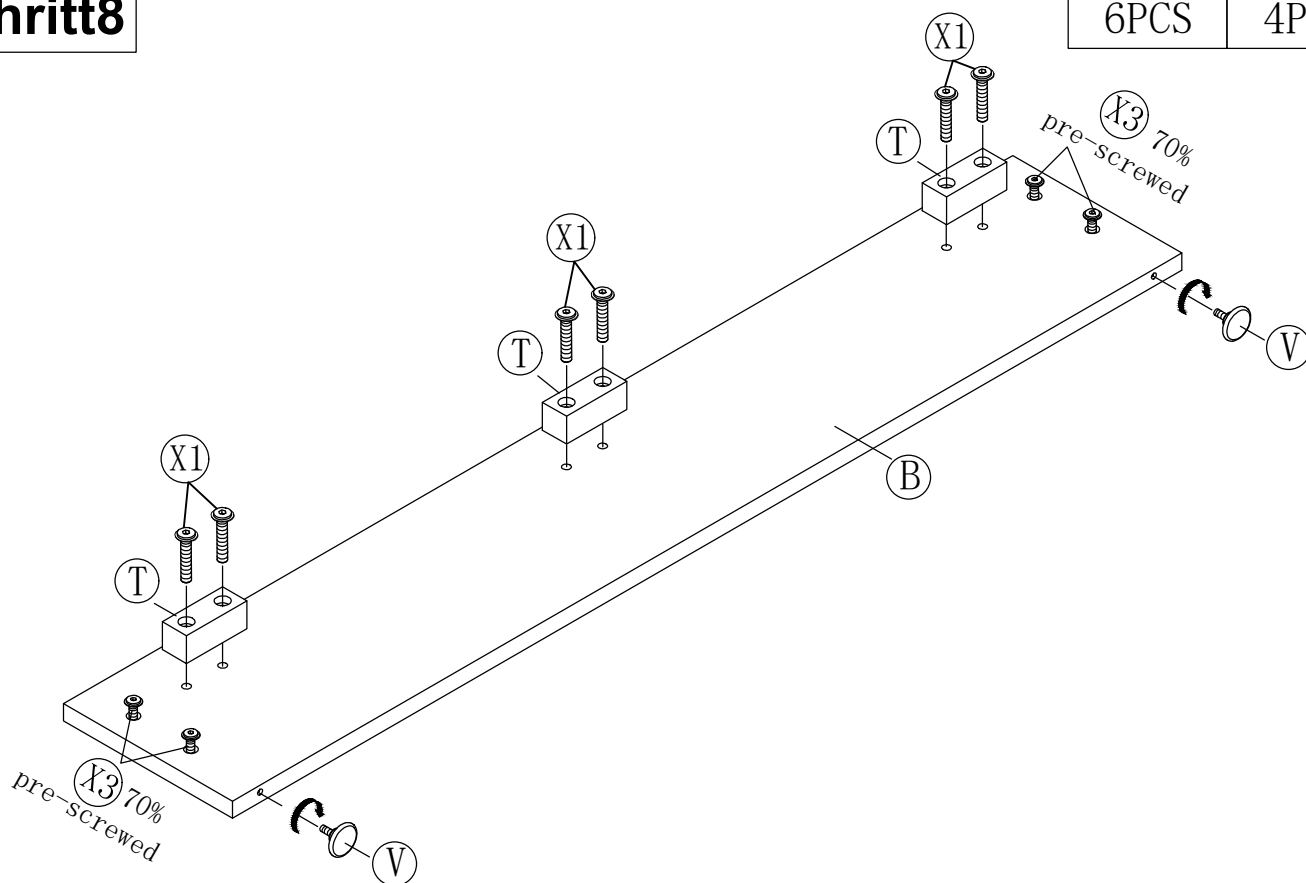


6PCS

X3



4PCS



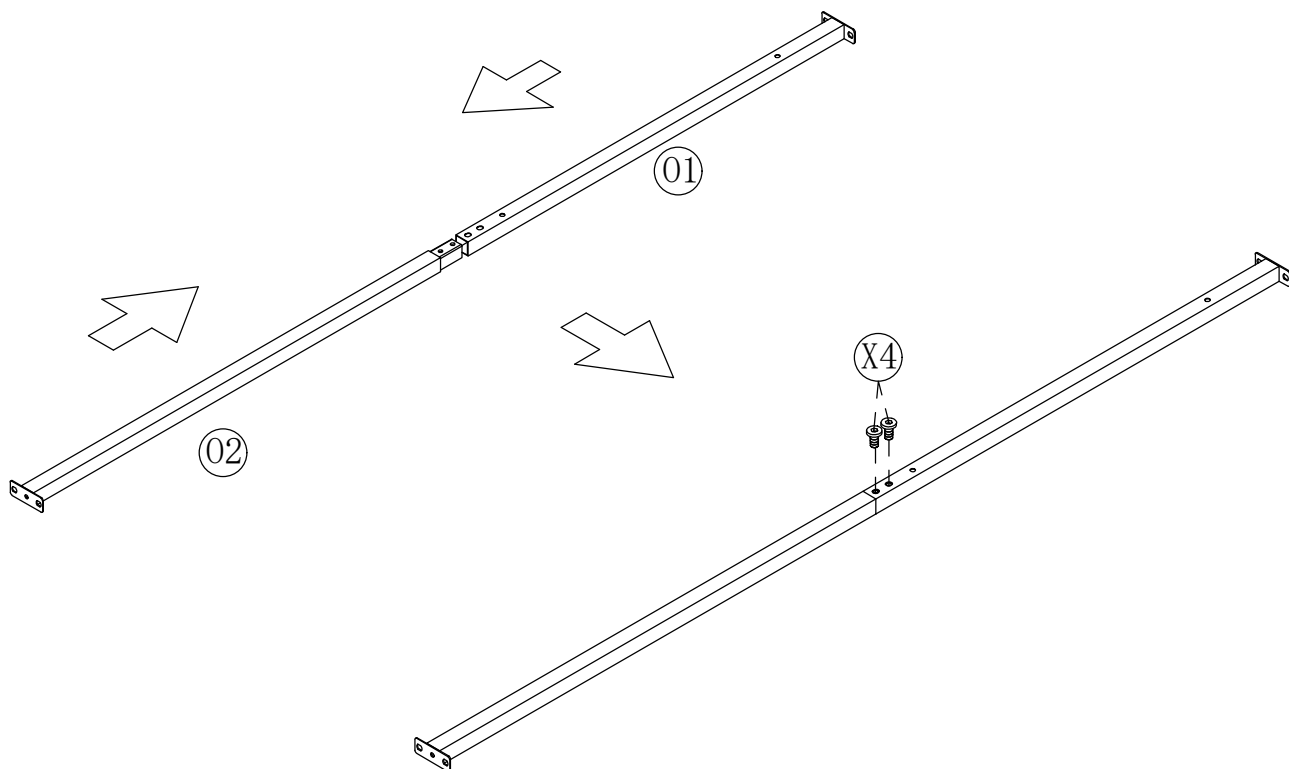
Step9

Schritt9

X4



2PCS



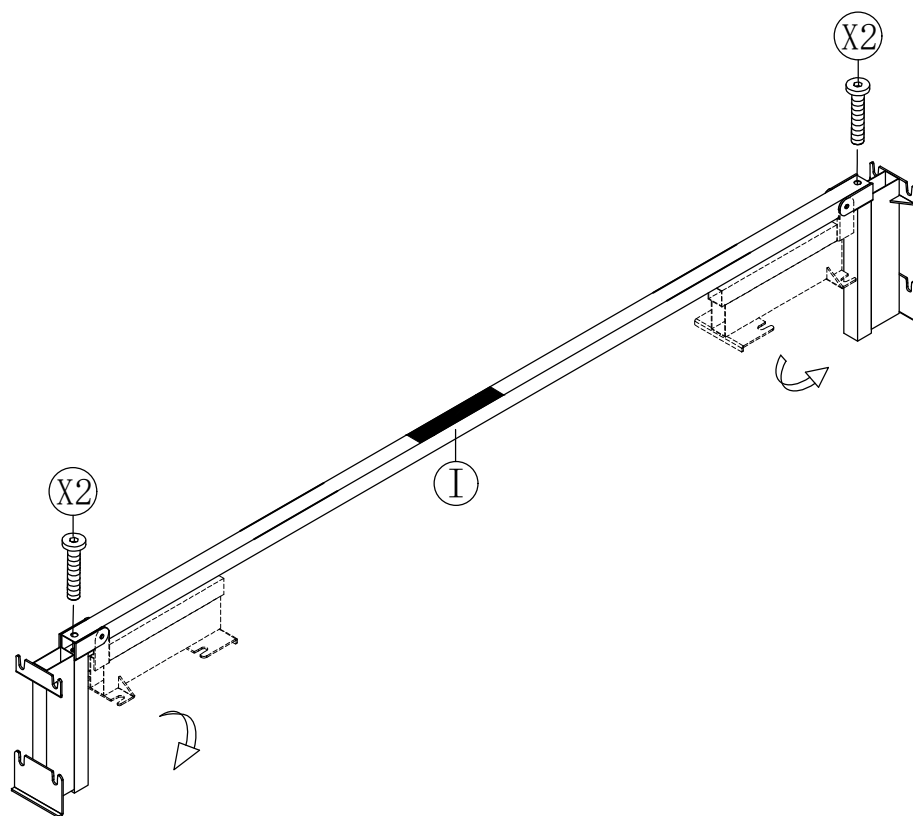
Step10

Schritt10

X2

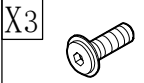


2PCS

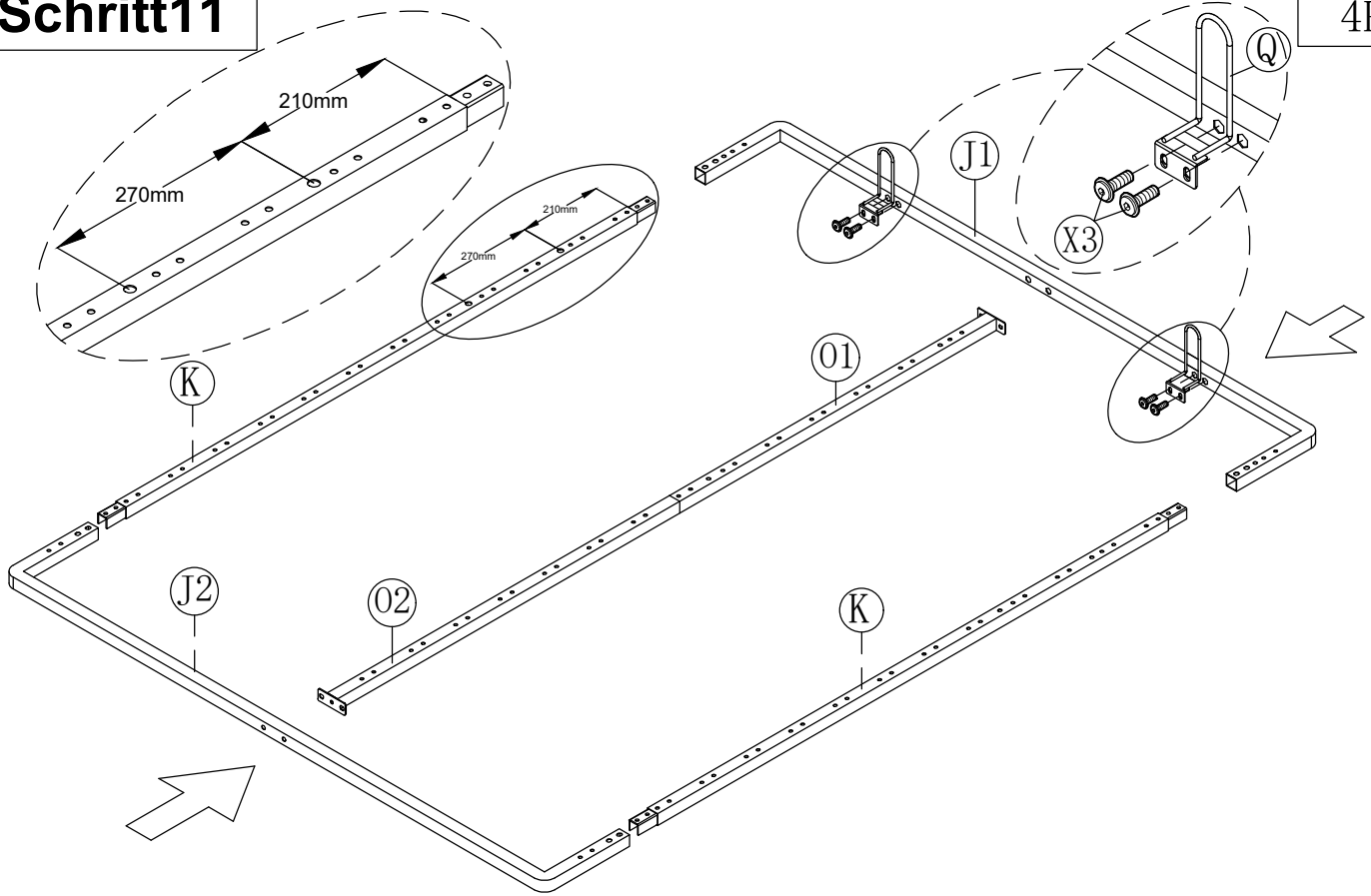


Step11

Schritt11

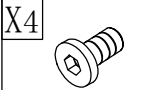


4PCS

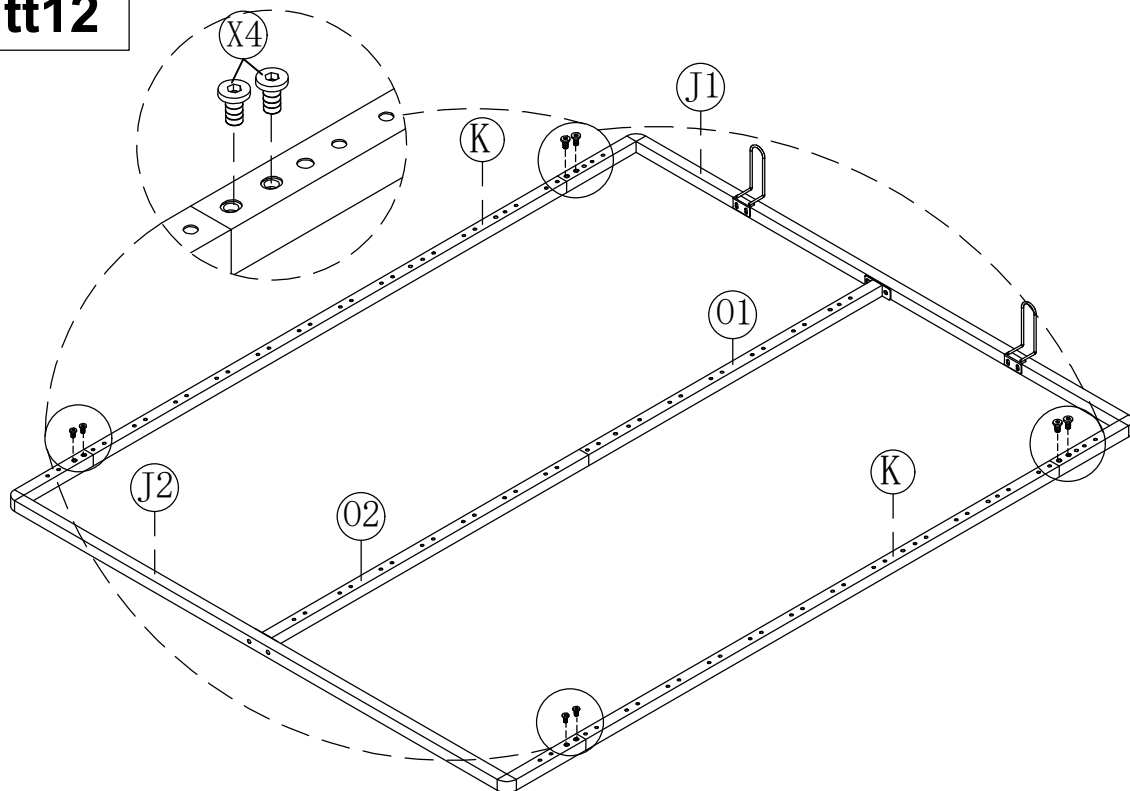


Step12

Schritt12

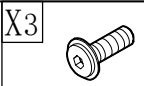


8PCS

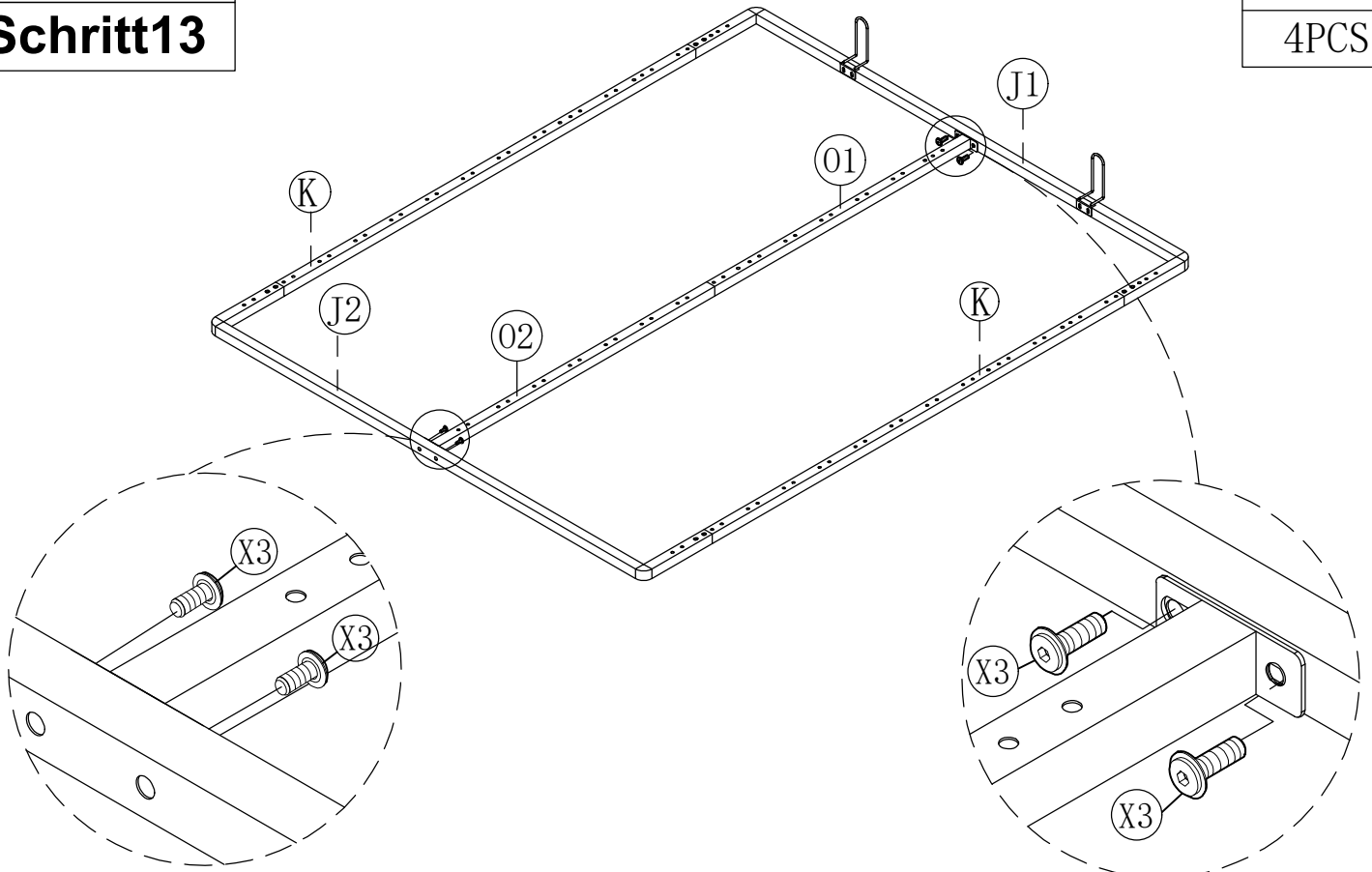


Step13

Schritt13

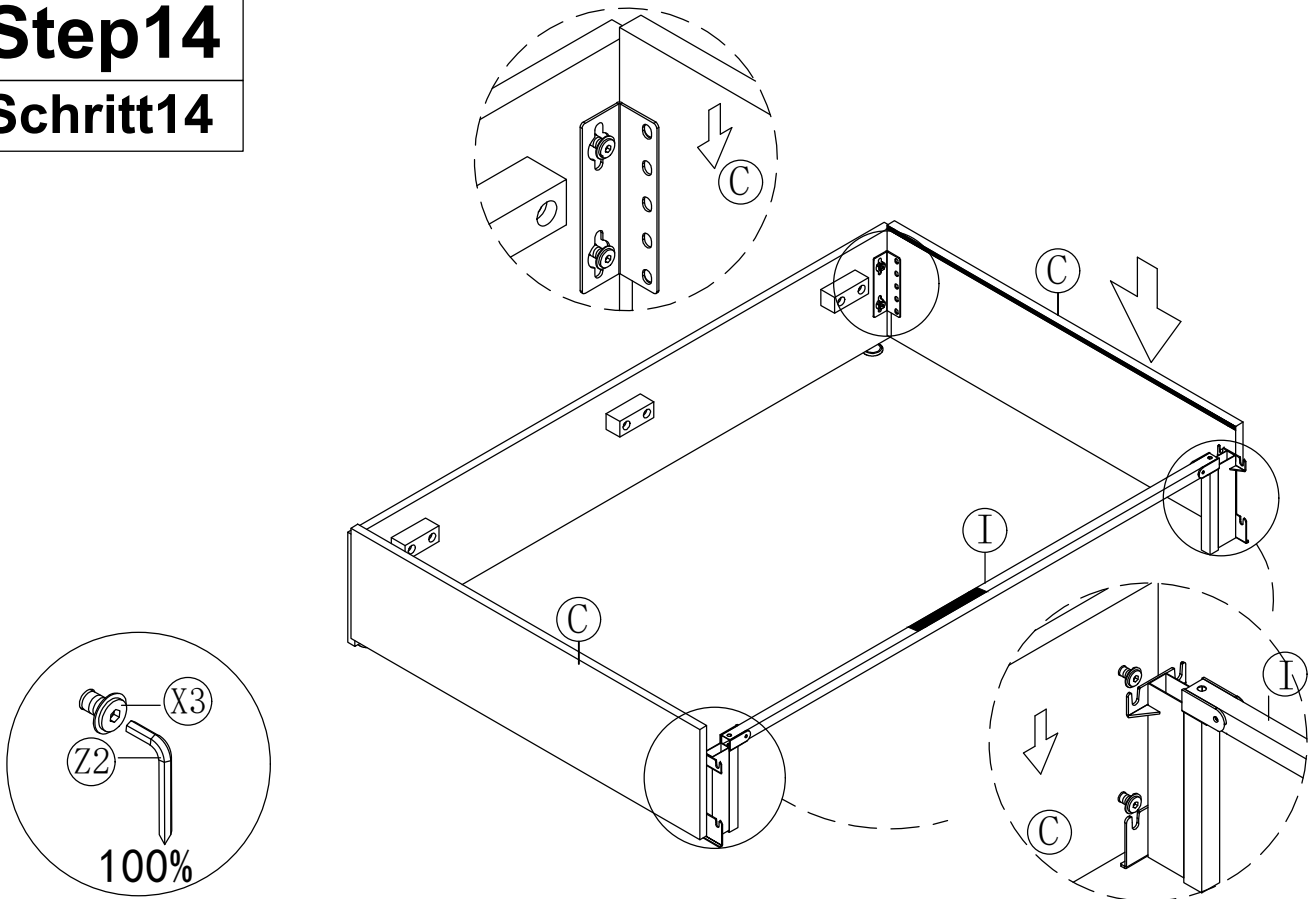


4PCS



Step14

Schritt14

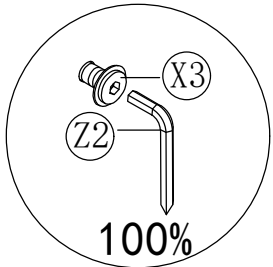
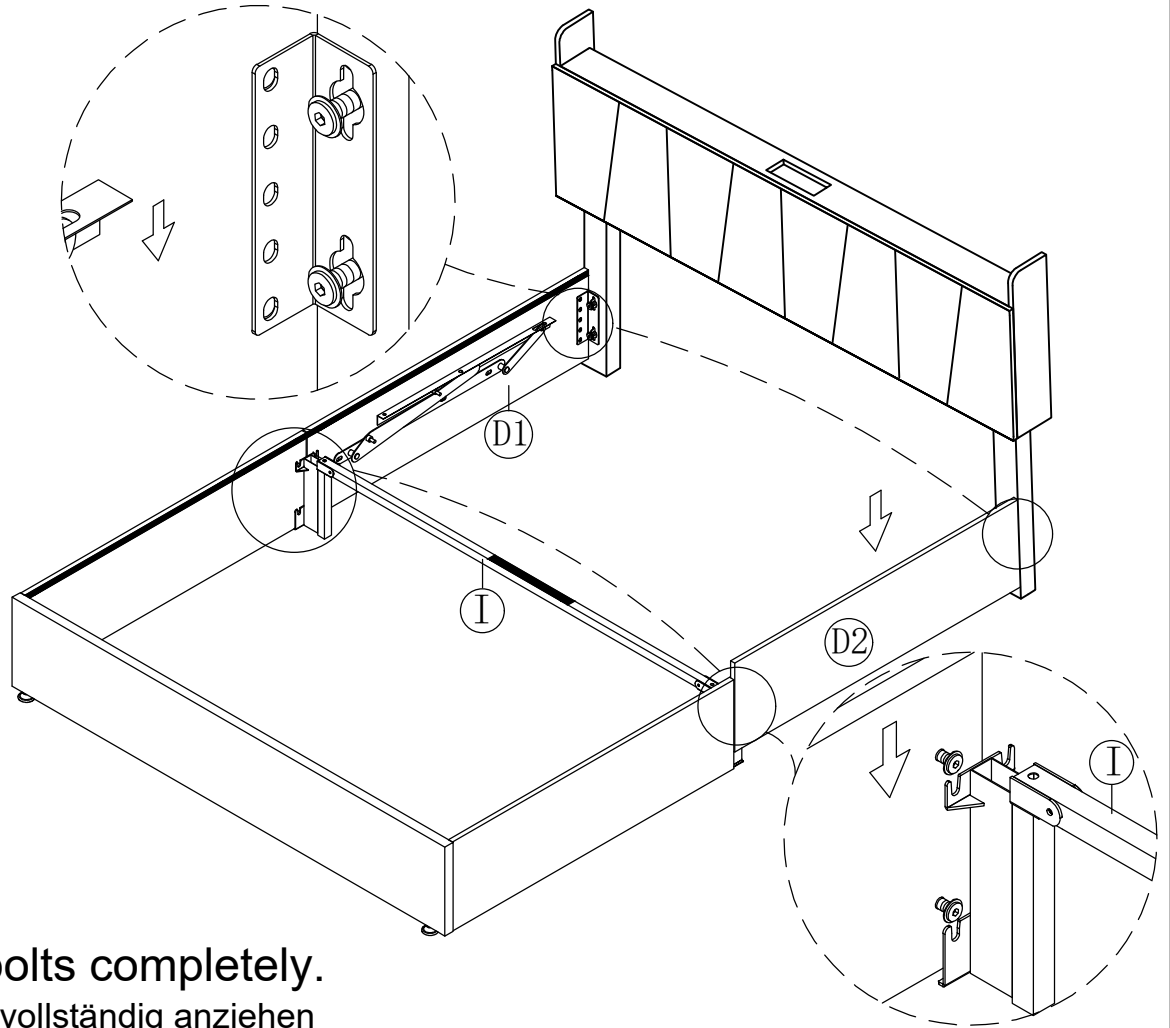


※Tighten all bolts completely.

Alle Schrauben vollständig anziehen

Step15


Schritt15

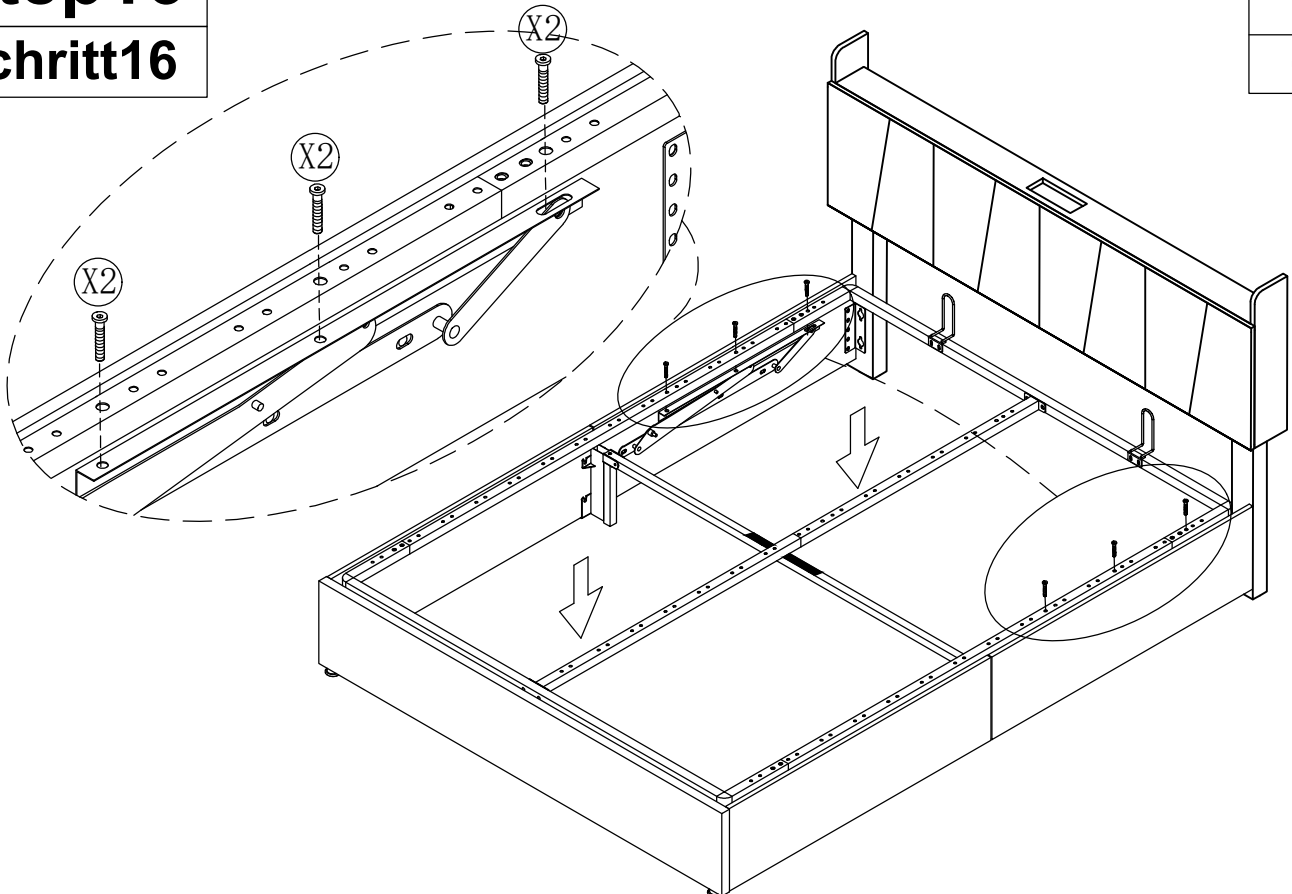


※Tighten all bolts completely.
Alle Schrauben vollständig anziehen

Step16

Schritt16

X2

6PCS



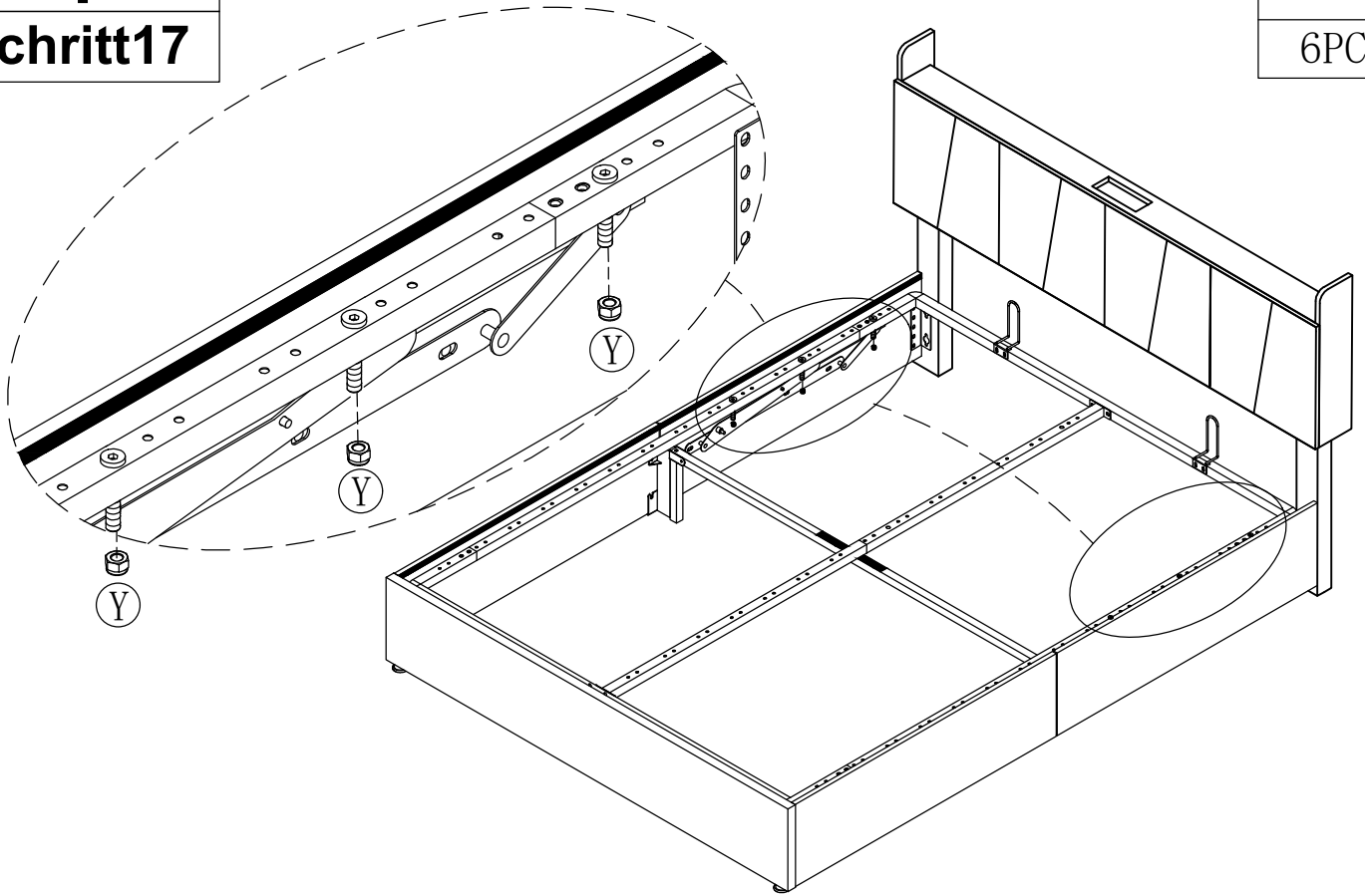
Step17

Schritt17

Y



6PCS



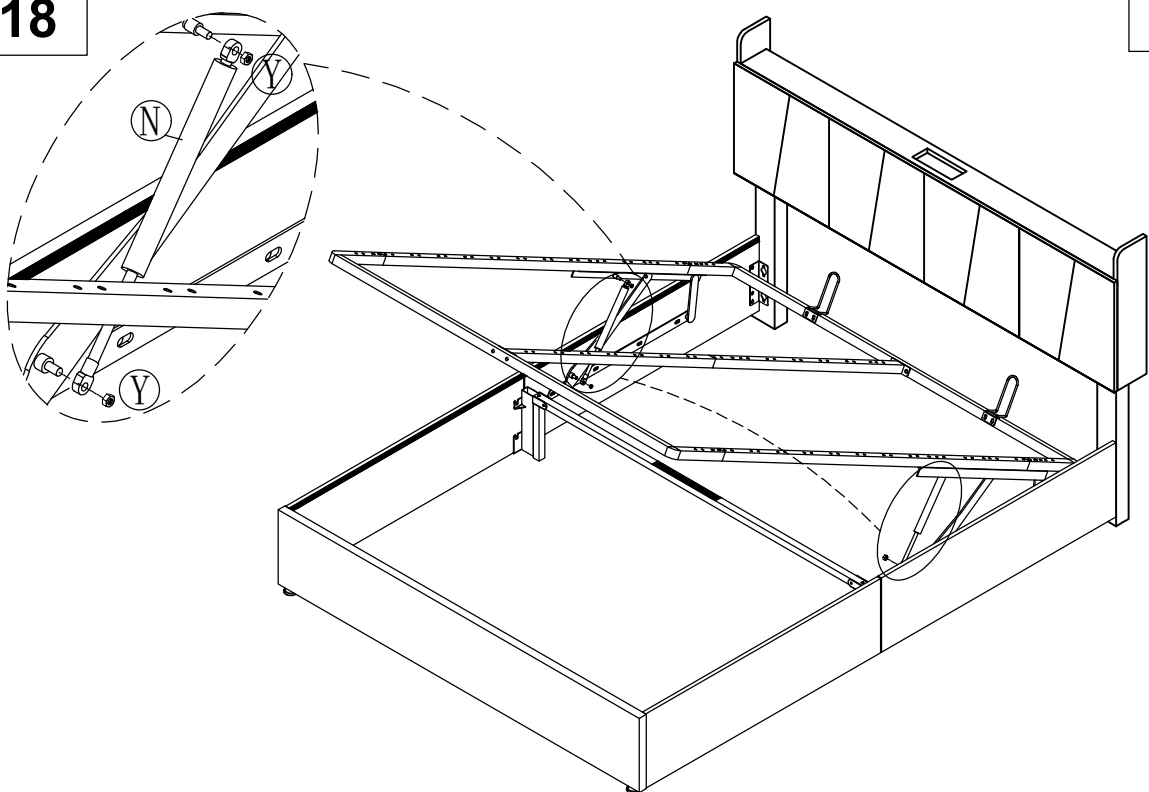
Step18

Schritt18

Y

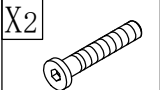


4PCS

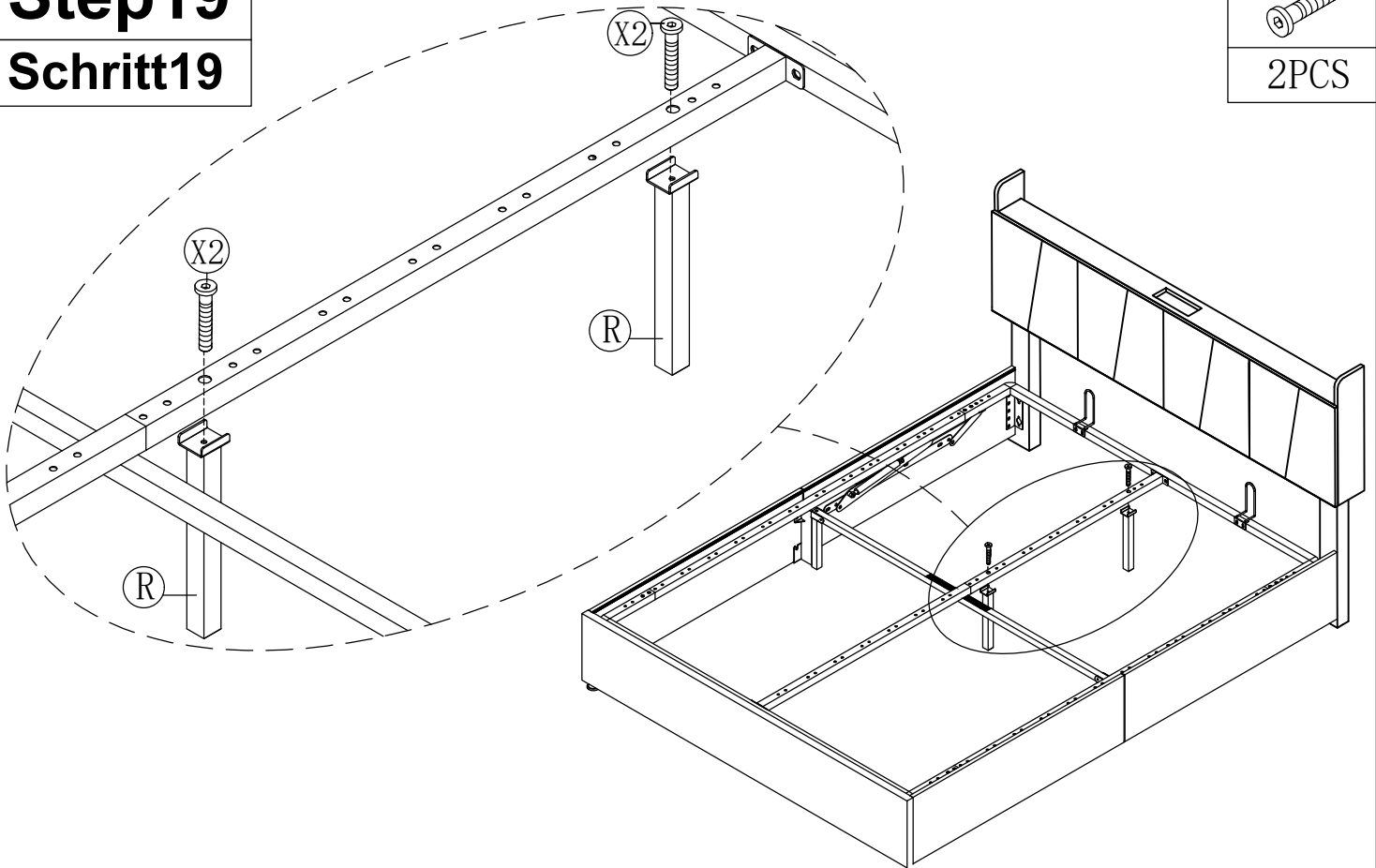


Step19

Schritt19

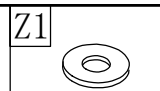


X2
2PCS

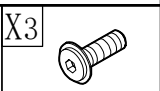


Step20

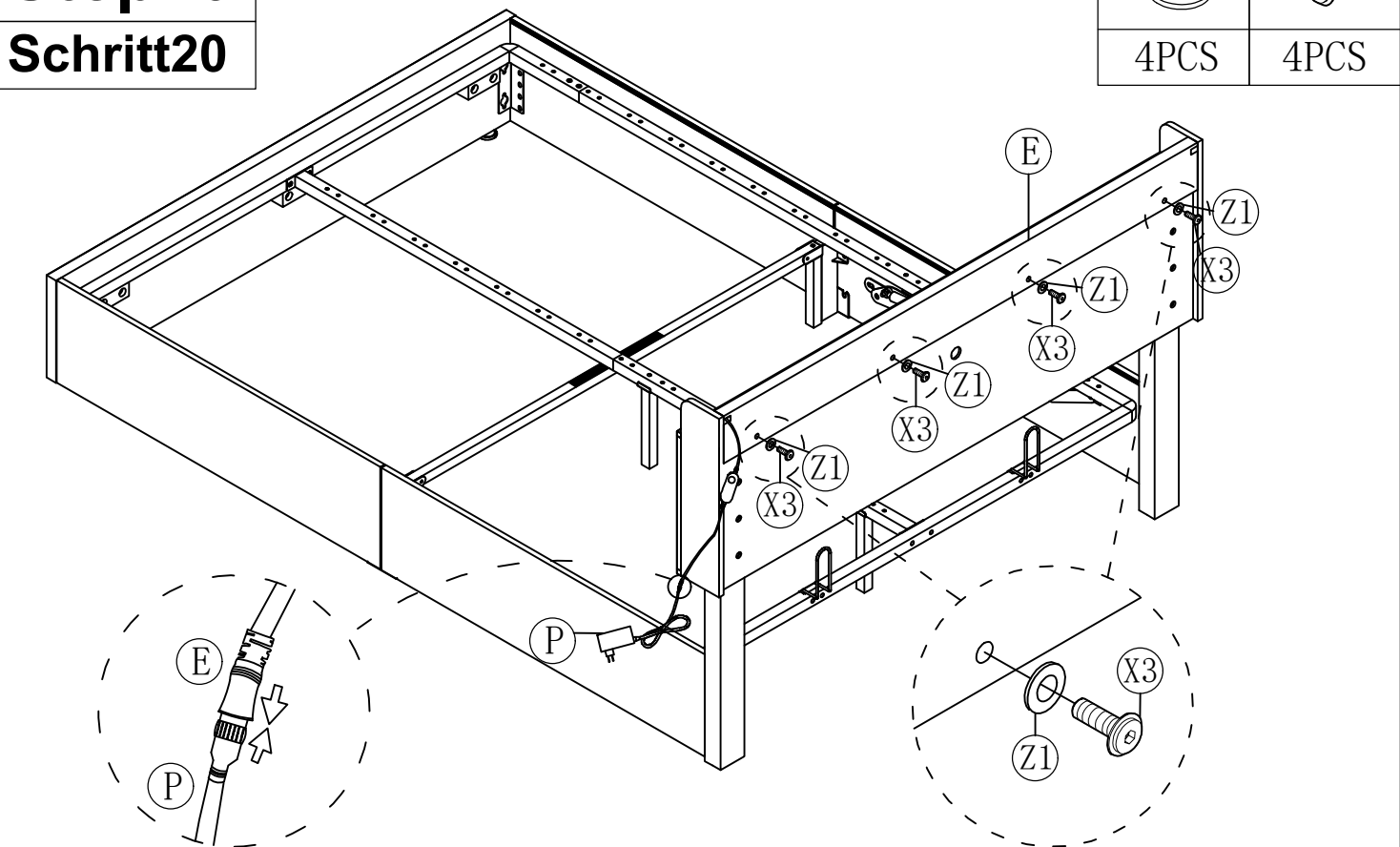
Schritt20



Z1
4PCS



X3
4PCS



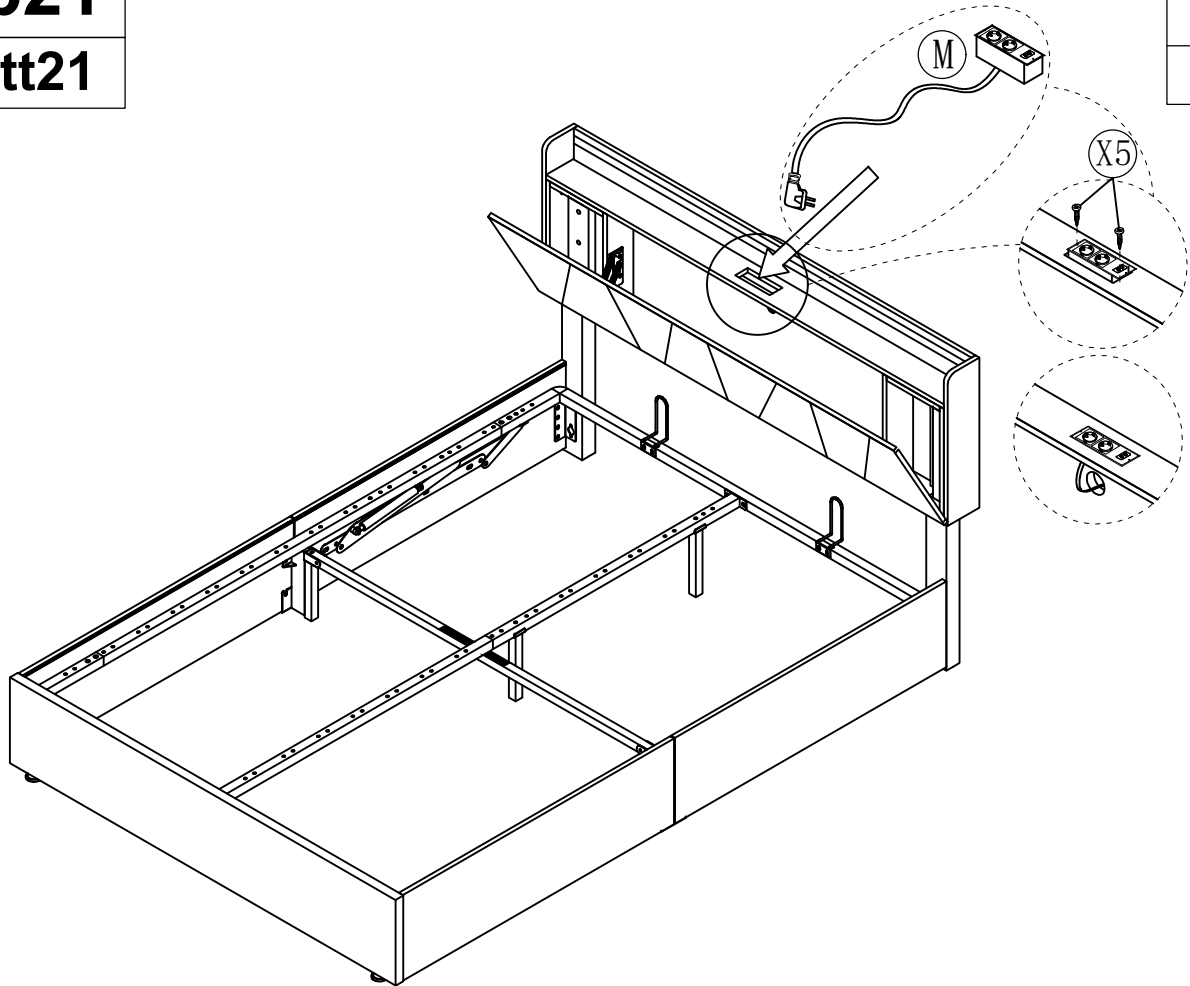
Step21

Schritt21

X5

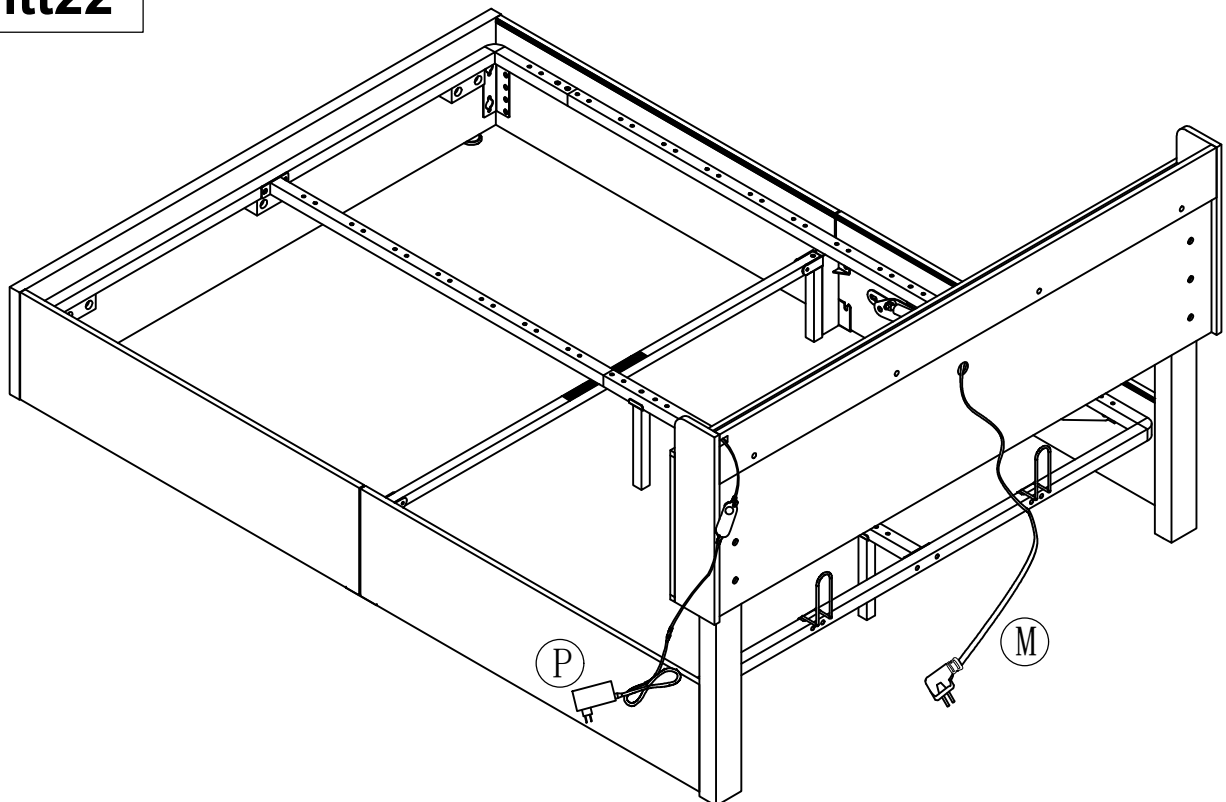


2PCS



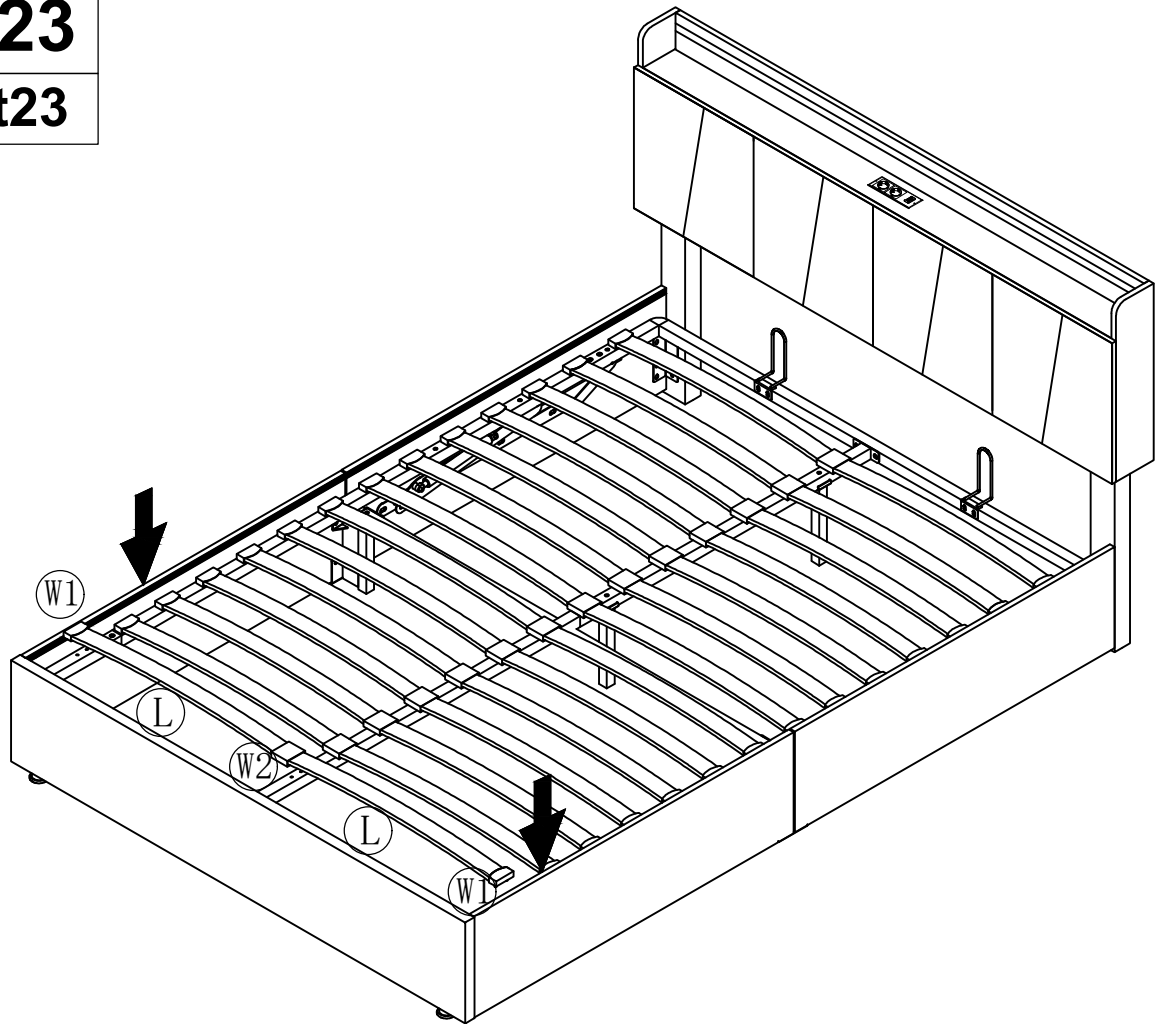
Step22

Schritt22



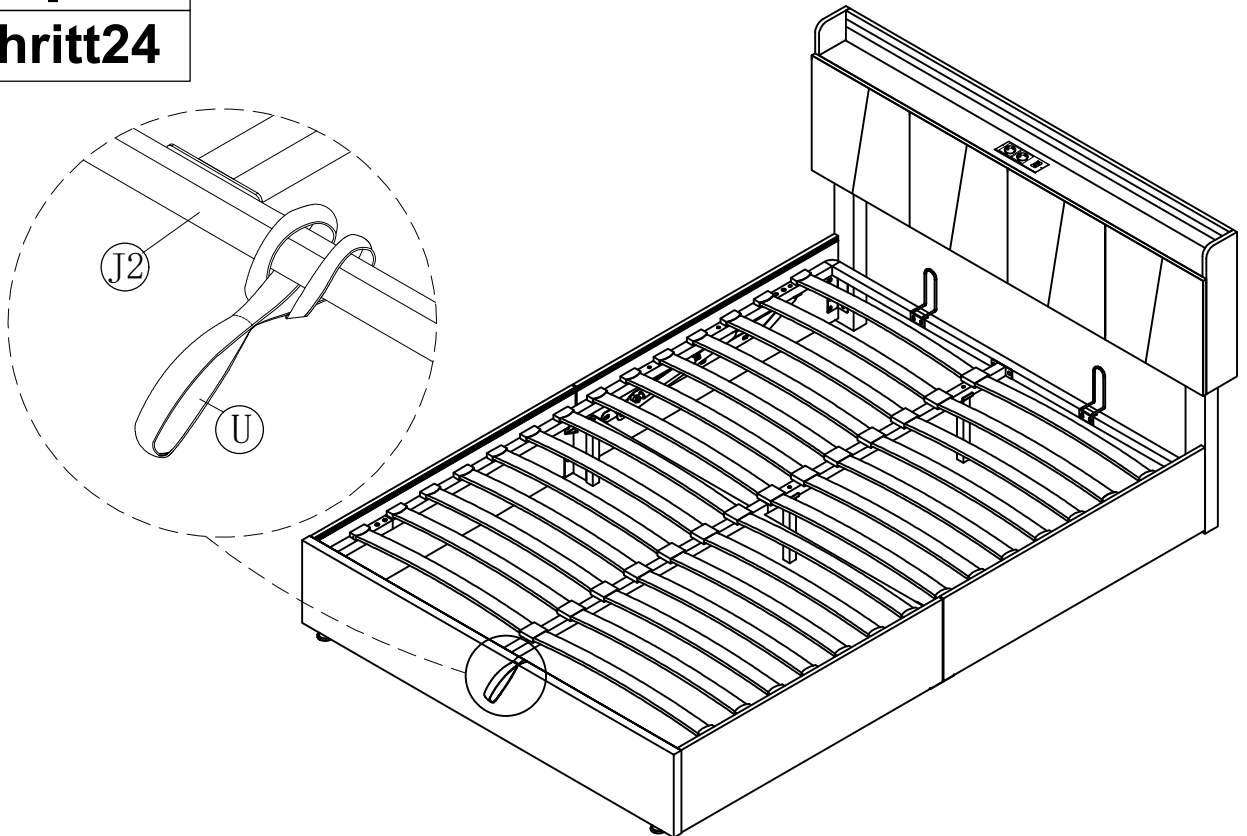
Step23

Schritt23



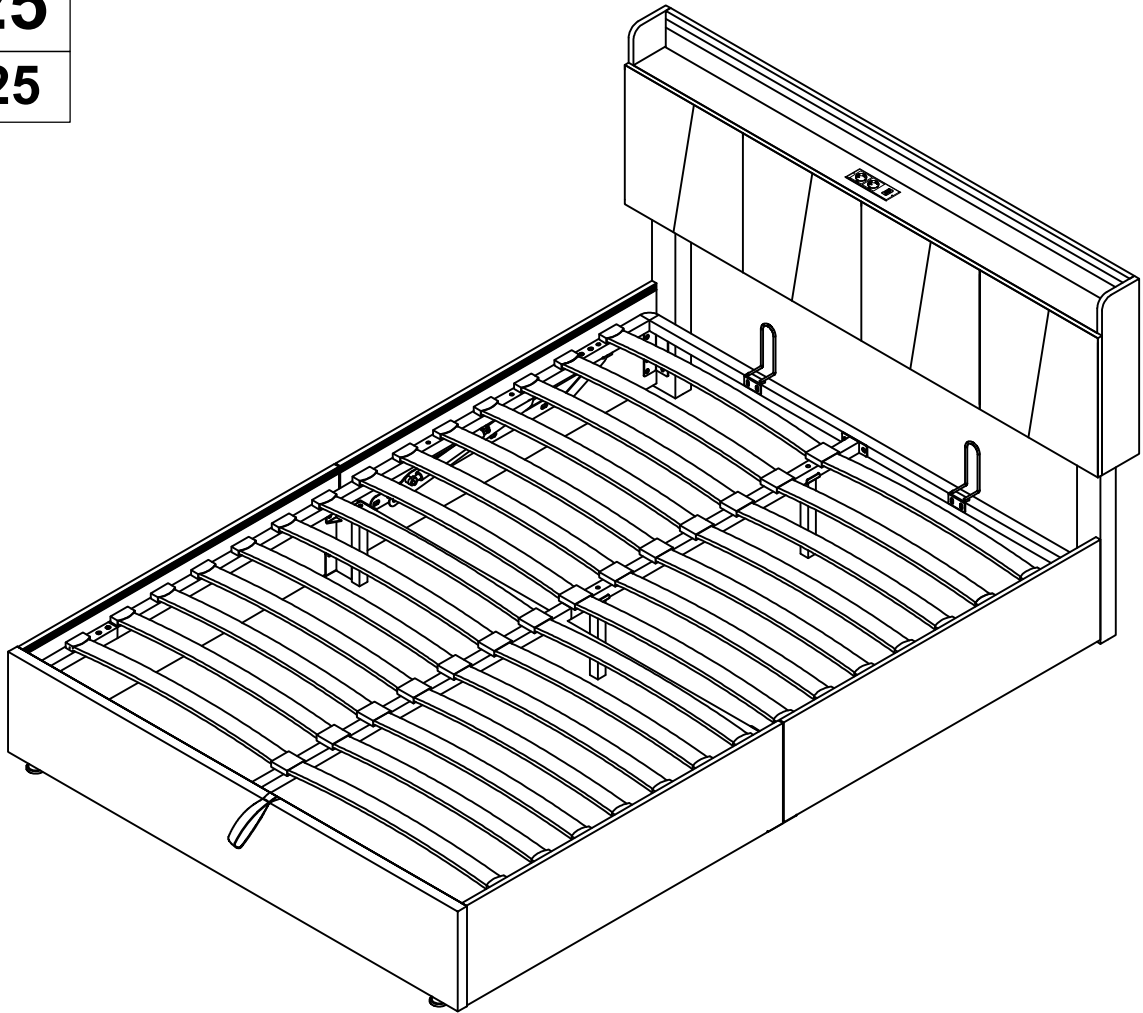
Step24

Schritt24



Step25

Schritt25



IMPORTANT NOTICE OTTOMAN OPERATING INSTRUCTIONS

Once your bed frame is completely assembled, the slat unit will not operate correctly unless a mattress is placed on the slat frame. Position the mattress on the slat frame whilst it is in the closed position.

PLEASE NOTE - It takes a lot of force to make the initial movement of the ottoman. This is a design feature of the product so that it does not fall shut - the nearer to being closed the ottoman is, the easier it is to move. When the ottoman is almost shut, it will close completely under its own weight.

When lowering the slat unit for the first time, take care to make sure it does not rub unevenly on the inside face of the side rails. If it does, the bed has been assembled slightly out of square. This can be rectified by moving the foot end of the bed slightly to the left or right whilst leaving the head end stationary.

PISTONS

The pistons used in the construction of this product are extremely strong and cannot be operated by hand when taken off the ottoman. All pistons are tested for correct pressure and operation before being attached to the slat unit.

Initially it might appear that the pistons are very stiff when opening and closing the ottoman.

THIS IS PERFECTLY NORMAL

When fully assembled and the mattress is in position, please raise and lower the ottoman 4/5 times to ensure the gas piston are fully lubricated.

