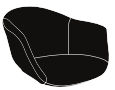


Assembly instruction | Wooden base with cross



Seat options

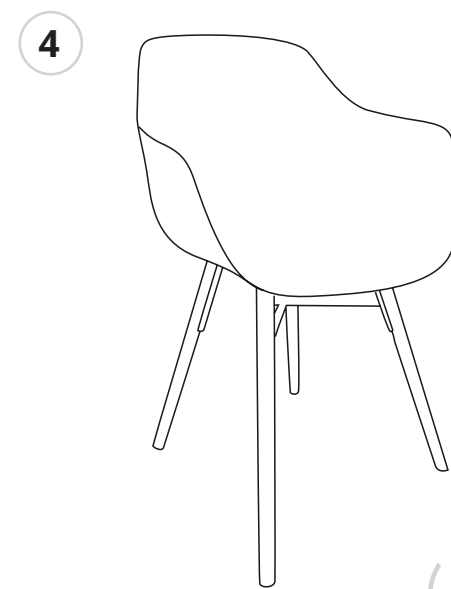
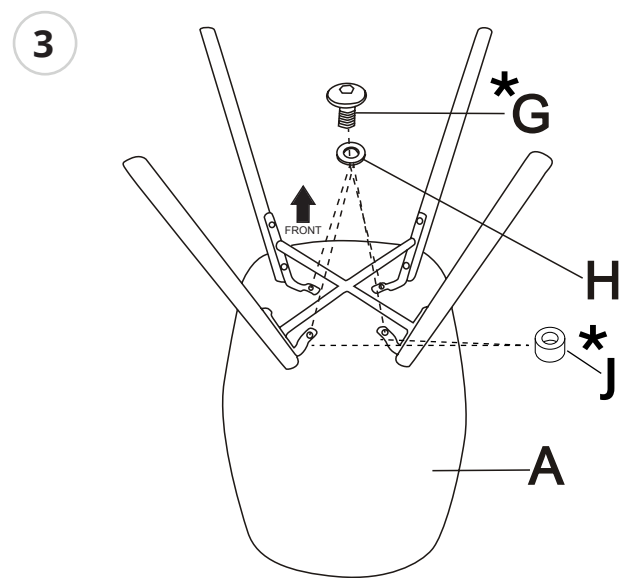
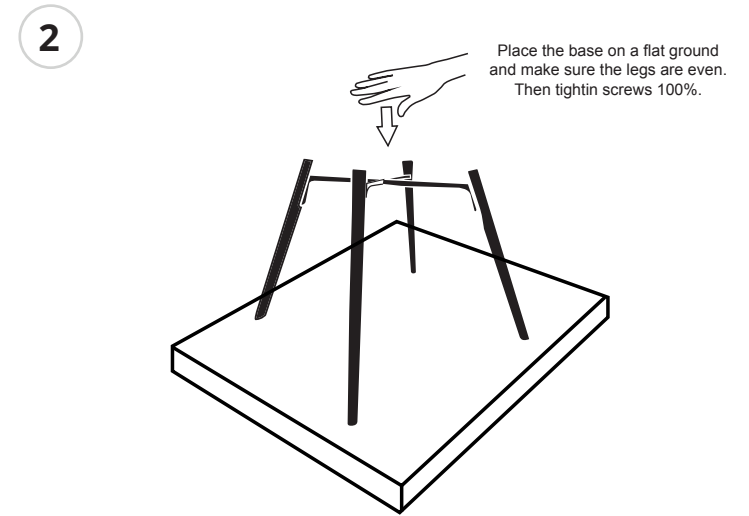
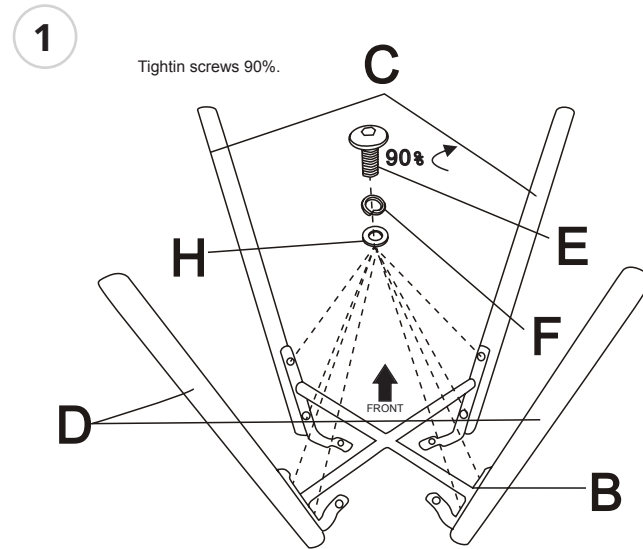


Included parts

A x1	B x1
Seat	
C x2	E x8 (M6*20)
D x2	
F x8 (M6)	H x12 (M6*16*1)
G x4 (M6*16)	I x1 (M6)
*	

*** ATTENTION!**
For upholstered shell use different parts

G -> 4x M6*30 screws
J -> 4x Ø20*10 washer



Notes

• We recommend that you re-tighten the screws after a while for optimum retention of your chair.

